

STANDARD CRITERIA

CLASS	TYPE (1)	APPLICATION DESCRIPTION	INDEX NO.	PERMITTIVITY (sec <sup>-1</sup> )	AOS SIEVE#	MIN. GRAB TENSILE STRENGTH (lb)	MIN. SEWN STRENGTH (lb/in)	MIN. PUNCTURE (lb)	MIN. TRAPEZOIDAL TEAR (lb)	MIN. WIDE WIDTH TENSILE STRENGTH (lb/in)	UV RESISTANCE (Min. Allowed)		COMMENTS	
											%	Time (Hrs.)		
DRAINAGE (D)	D-1	Revetment (Special)		(See D-2)	(See D-2)	315	7.2	113	113		50	500	Woven Monofilament Geotextiles only (Elongation <50%) Provide 12" thick bedding stone layer.	
	D-2	Revetment (Standard)		281	% SOIL PASSING No. 200 SIEVE <15% 0.7 15% to 50% 0.2 >50% 0.1	% SOIL PASSING No. 200 SIEVE <15% 40 15% to 50% 60 >50% 70*	Woven Monofilament 248 Other Geotextiles: Elongation <50% 315 ≥50% 203	Woven Monofilament 5.7 Other Geotextiles: Elongation <50% 6.9 ≥50% 4.7	Woven Monofilament 90 Other Geotextiles: Elongation <50% 113 ≥50% 79	Woven Monofilament 57 Other Geotextiles: Elongation <50% 113 ≥50% 79		50	500	Woven Geotextiles only. No Slit Film Geotextiles allowed. Provide 12" thick bedding stone layer for revetment (standard). The bedding layer may be omitted if a D-1 fabric is used with revetment (standard). ****Bedding Stone not required for Articulating Block. *For cohesive soils with a plasticity index >7, maximum average roll value for AOS is number 50 sieve.
		Articulating Block****												
		Gabions												
		Rock, Rubble, Broken Concrete												
	D-3	Underdrain ***		286	% SOIL PASSING No. 200 SIEVE <15% 0.5 15% to 50% 0.2 >50% 0.1	% SOIL PASSING No. 200 SIEVE <15% 40 15% to 50% 60 >50% 70*	Elongation <50% 248 ≥50% 158	Elongation <50% 5.7 ≥50% 3.6	Elongation <50% 90 ≥50% 57	Elongation <50% 90** ≥50% 57		50	500	No woven slit film fabrics allowed. *For cohesive soils with a plasticity index >7, maximum average roll value for AOS is number 50 sieve. **Required Trapezoidal tear for woven monofilament is 250. ***See Index No. 286 for the permittivity and AOS values of the internal filter fabric of Type V Underdrain.
		French Drain												
		Sheet Piling Filter												
		Filter Fabric Jacket (Culvert)												
	D-4	Concrete Pavement Subdrainage		287										
		Slope Pavement (Sand-Cement)												
		Ditch Pavement (Sand-Cement)												
Mechanically Stabilized Retaining Wall														
D-5	Cast-In-Place Retaining Wall													
	Slope Pavement (Concrete)													
D-6	Ditch Pavement (Concrete)		281	0.5	40	180	4.2	50	35		50	500	Non-woven, needle-punch only. Elongation ≥50%	
EROSION (E)	E-1	Staked Silt Fence		0.05	NA	90	2.1	NA	35		80	500	Min. Filtration Efficiency of 75% & min. flow rate of 0.3 gal.	
	E-2	Wind Screen		0.05	NA	90	2.1	NA	NA		80	150		
	E-3	Plastic Erosion Mat (Turf Reinforcement Mat) (Type 1)		NA	NA	NA	NA	NA	NA	12 x 6	80	500	Use where design shear stress is ≤2.1 psf	
	E-4	Plastic Erosion Mat (Turf Reinforcement Mat) (Type 2)		NA	NA	NA	NA	NA	NA	23 x 12	80	500	Use where design shear stress is ≤3.6 psf	
	E-5	Plastic Erosion Mat (Turf Reinforcement Mat) (Type 3)		NA	NA	NA	NA	NA	NA	46 x 23	80	500	Use where design shear stress is ≤5.0 psf	

(1) Type refers to FDOT class and application.

TABLE I

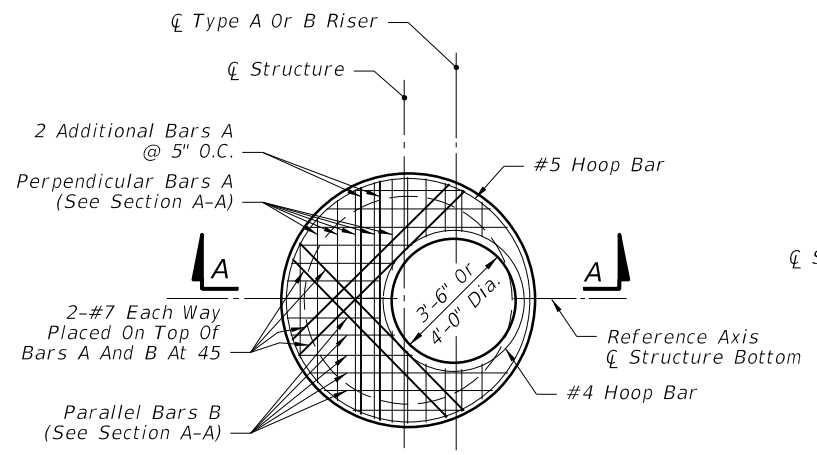
Test	Unit	Test Method
Permittivity	sec <sup>-1</sup>	ASTM-D-4491
AOS	US Sieve No.	ASTM-D-4751
Elongation	%	ASTM-D-4632
Grab Tensile Strength	lb	ASTM-D-4632
Wide Width Tensile Strength	lb/in	ASTM-D-4595
Maximum Design Velocity	fps	See Note 8
Sewn Strength	lb/in	ASTM-D-4884
Puncture	lb	ASTM-D-4833
Trapezoidal Tear	lb	ASTM-D-4533
Ultraviolet Resistance	% Retained In Strength	See Note 7
Filtration Efficiency	%	ASTM-D-5141
Flow Rate	gal <sup>3</sup> /min	ASTM-D-5141

GENERAL NOTES

- Specifications for geotextiles are in Section 985. Physical criteria for each application is provided by this standard, in conjunction with those sections.
- All values except AOS are MINIMUM AVERAGE ROLL values in the weakest principal direction. Values for AOS are MAXIMUM AVERAGE ROLL values.
- Test soil or fill material adjacent to the geotextile for gradation to select values for permittivity and AOS.
- Unless specifically restricted in COMMENTS column, any type of material meeting specification 985 may be used.
- Wide width tensile strength is expressed in units of measure of lb./in., in machine direction and cross direction, as MD x CD.
- The Manufacturer shall provide results in English Units.
- UV Resistance: The value represents the percent minimum textile strength retained (ASTM-D-4632) after weathering per ASTM-D-4355 for the test period (hours).
- Shear stress limits for plastic erosion mats determined by 30 minutes sustained flow in unvegetated state as determined by tests performed by Utah State University, Texas Transportation Institute or an independent testing laboratory approved by the State Drainage Engineer.

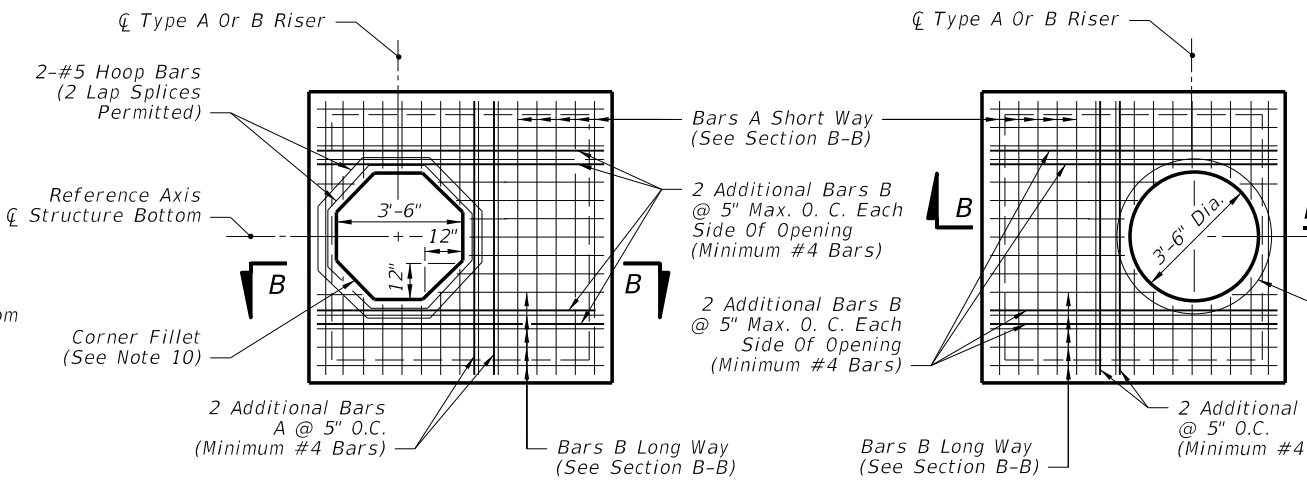
C:\projects\standards\roadway\0200-s\00199-01.dgn RD960PO 7:45:22 AM 6/27/2013

6/24/2013 3:18:10 PM sm970re C:\projects\standards\roadway\02200-s\02200-01.dgn



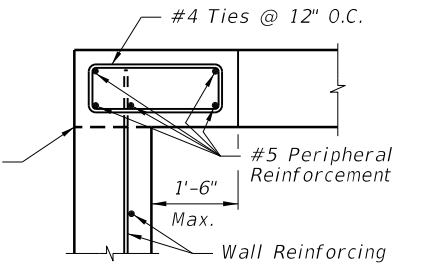
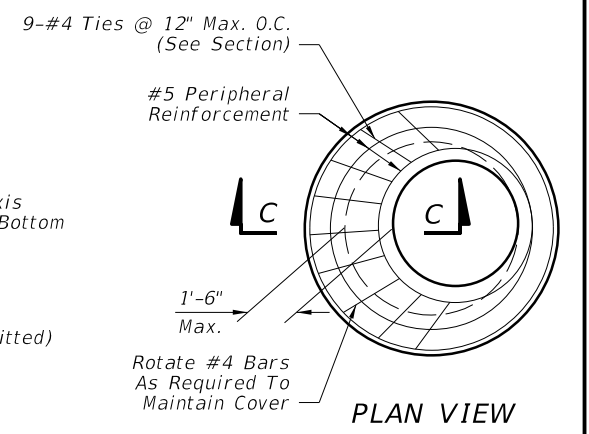
NOTE:  
Not Applicable For Type A, B, C, D & E Ditch Bottom Inlets Or Type S & V Gutter Inlets.  
See Index Nos. 220, 221, 230, 231 & 232.

**TOP SLAB REINFORCING STEEL DIAGRAM (ALTERNATE A)**

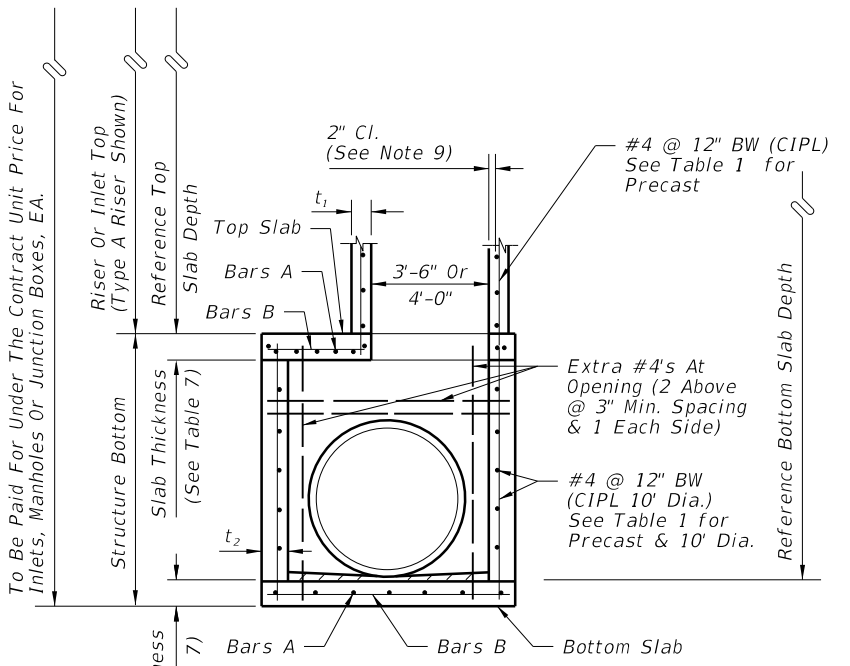


**SQUARE OPENING WITH CORNER FILLETS TOP SLAB REINFORCING STEEL DIAGRAM (ALTERNATE B)**

**ROUND RISER OPENING TOP SLAB REINFORCING STEEL DIAGRAM (ALTERNATE B)**

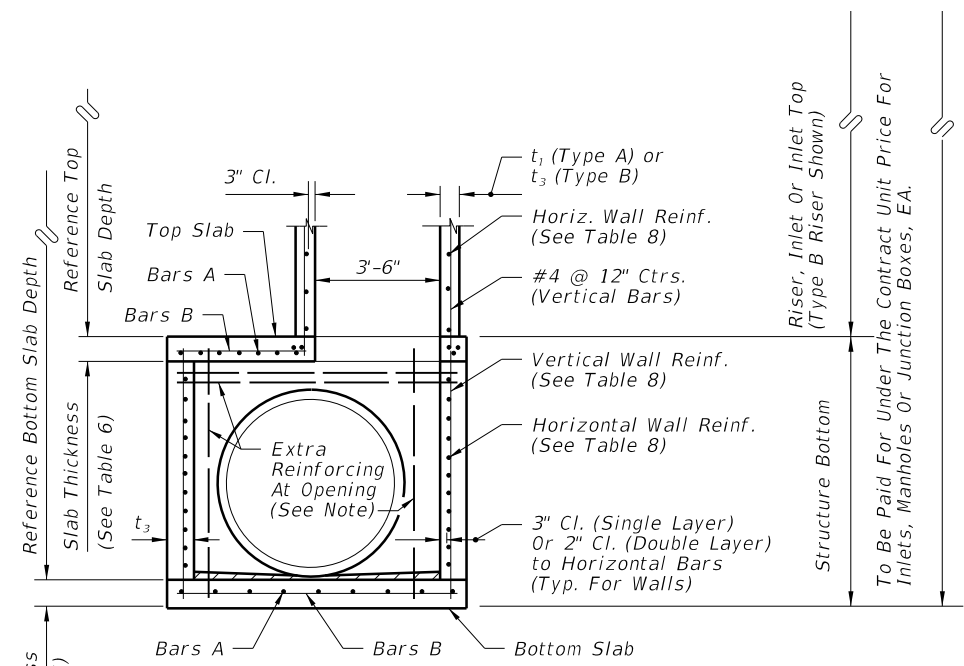


**SECTION C-C SPECIAL TOP SLAB\***



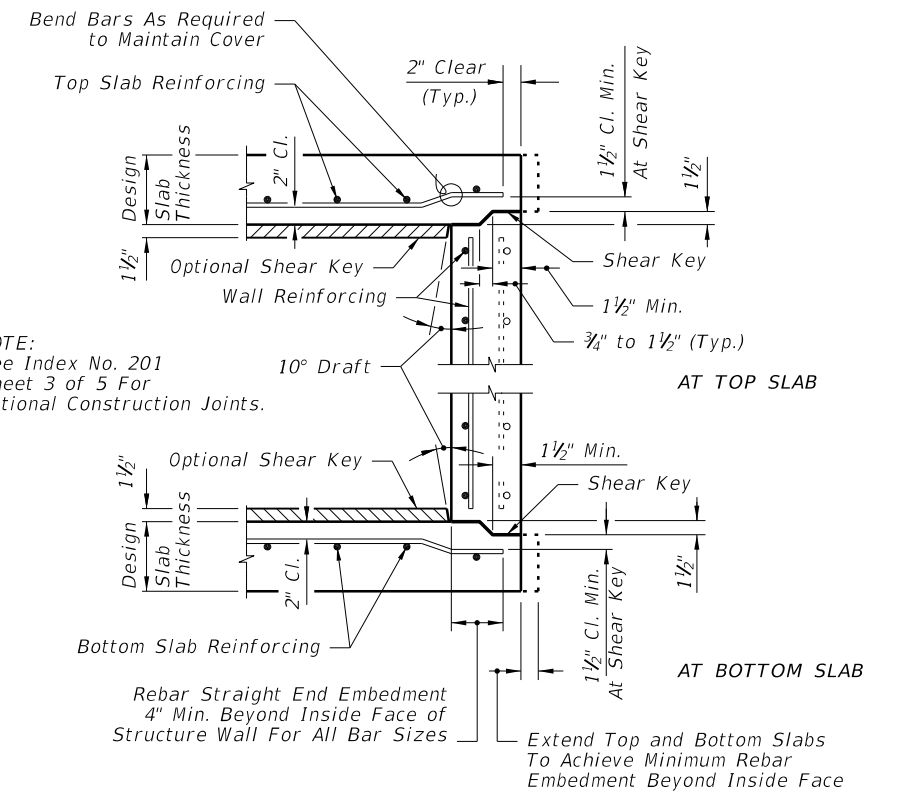
\*NOTE:  
When the inside diameter of a round structure is not more than 1'-6" larger than the opening in the riser or top slab, the top of the structure or riser shall be constructed according to the "Special Top Slab" details on this sheet.

**SECTION A-A (ALTERNATE A)**



NOTE:  
Provide one extra #4 bar reinforcement each side of each opening and two extra #4 bars at 3" min. spacing above each opening.

**SECTION B-B (ALTERNATE B)**



**TYPICAL SLAB TO WALL DETAILS FOR PRECAST STRUCTURES**

LAST REVISION	REVISION	DESCRIPTION:	<b>FDOT 2014 DESIGN STANDARDS</b>	<b>STRUCTURE BOTTOMS TYPE J AND P</b>	INDEX NO. <b>200</b>	SHEET NO. <b>1 of 5</b>
01/01/10						



GENERAL NOTES

ROUND STRUCTURE BOTTOMS (ALTERNATE A) & ROUND RISERS- TABLE 1									
Wall Thickness (t <sub>1</sub> & t <sub>2</sub> ) and Vertical & Horizontal Areas of Reinforcement (A <sub>s</sub> )									
Type	Structure/Riser Diameter (ft)	Cast-In-Place Items Class II Concrete			Precast Items				
		t <sub>1</sub> Riser (in.)	t <sub>2</sub> Bottom (in.)	A <sub>s</sub> (in. <sup>2</sup> /ft.)	Class II Concrete			ASTM C478	
					t <sub>1</sub> Riser (in.)	t <sub>2</sub> Bottom (in.)	A <sub>s</sub> (in. <sup>2</sup> /ft.)	t <sub>1</sub> or t <sub>2</sub> (in.)	A <sub>2</sub> *** (in. <sup>2</sup> /ft.)
P	3'-6"	6	8	0.20	6	8	0.20	4**	0.105
P	4'-0"	6	8	0.20	6	8	0.20	5**	0.120
J	5'-0"	-	8	0.20	-	8	0.20	6**	0.150
J	6'-0"	-	8	0.20	-	8	0.20	6	0.180
J	7'-0"	-	8	0.20	-	8	0.20	7	0.210
J	8'-0"	-	8	0.20	-	8	0.20	8	0.240
J	10'-0"	-	10	0.40##	-	10	0.40##	10	0.300
J	12'-0"	-	10	0.40##	-	12	0.40##	12	0.360

TABLE 1 NOTES:

##Provide 0.20 eq. in.<sup>2</sup>/ft. at each face, 12" max. bar spacing.

\*\*Modified minimum wall thickness.

\*\*\*Min. total circumferential reinforcement for continuous steel hoops:

A<sub>2</sub> = 0.50 sq. in. for riser section height equal or less than 2'-0" (2 hoop min.)

A<sub>2</sub> = 0.75 sq. in. for riser section height more than 2'-0" up to 4'-0" (3 hoop min.)

Areas of reinforcing for precast items are based on Grade 60 reinforcing;

No reduction in the area of reinforcement is allowed for welded wire fabric in Table 1;

Area of vertical reinforcing may be reduced in accordance with ASTM C478.

SQUARE & RECTANGULAR STRUCTURES (ALTERNATE B) - TABLE 2				
Type	Wall Length (ft)	Max. Depth (ft)	Wall Thickness (t <sub>s</sub> )	
			CIP (in.)	Precast (in.)
P	≤ 3'-6"	40	6 Riser 8 Bottom	6
J	4'-0"	40	8	6
J	5'-0"	22	-	6
J	6'-0"	15	-	6
J	5'-0" to 9'-0"	40	8	8
J	10'-0"	26	8	8
J	10'-0" to 12'-0"	40	10	9
J	16'-0"	35	-	9
J	16'-0"	40	10	10
J	20'-0"	25	-	9
J	20'-0"	30	10	10

TABLE 2 NOTES:

See Table 8 for Reinforcing Schedule.

- Standard structure bottoms 4'-0" diameter and smaller (Alt. A) and 3'-6" square (Alt. B) are designated Type P. Larger standard structure bottoms are designated Type J. Risers are permitted for all structures. Round risers are designated Type A, square risers are designated Type B.
- Walls of circular structures (Alt. A) constructed in place may be of brick or reinforced concrete. Precast and rectangular structures (Alt. B) shall be constructed of reinforced concrete only.
- Wall thickness and reinforcement are for either reinforced cast-in-place or precast concrete units except that precast circular units may be furnished with walls in accordance with ASTM C478 (see modified wall thicknesses in Table 1).
- Top and bottom slab thickness and reinforcement are for precast and cast-in-place construction. All concrete shall be of Class II concrete, except use Class IV concrete when shown in the Plans, for special applications of structures located in extremely aggressive environments. Concrete as specified in ASTM C478 (4000 psi) may be used in lieu of Class II concrete for precast items manufactured in accordance with Specifications Section 449.
- All reinforcement shown is Grade 60 steel, deformed bar. Equivalent area Grade 40 steel or equivalent area smooth or deformed welded wire reinforcement in accordance with Specification Section 931 may be substituted according to Index No. 201, unless otherwise noted.
- Alt. A or Alt. B structure bottoms may be used in conjunction with curb inlet tops Types 1, 2, 3, 4, 5, 6, 9, and 10, and any manhole or junction box unless otherwise shown in the plans or other standard drawings. Alt. B structure bottoms may be used in conjunction with curb inlet Types 7 & 8, or any ditch bottom inlet unless otherwise shown in the plans or other standard drawings.
- Rectangular structures may be rotated as directed by the Engineer in order to facilitate connections between the structure walls and storm sewer pipes.
- Except when ACI hooks are specifically required, reinforcement in top and bottom slab shall be straight embedment.
- All reinforcement must have 2" minimum cover except for 3'-6" diameter precast circular units manufactured under ASTM C478, keyed construction otherwise shown. Additional bars used to restrain hole formers for precast structures with grouted pipe connections, may be left flush with the hole surface. Cut or bend reinforcement at pipe openings to maintain cover. Exposed ends of reinforcing at precast pipe openings and grouted joints must be removed to 1" below the concrete surface and sealed with a Type F epoxy in accordance with Specification Section 926. Horizontal steel in rectangular structures shall be lapped a minimum of 30 bar diameters or by standard hooks at corners.
- The corner fillets shown are necessary for rectangular structures used with circular risers and inlet throats and when used on skew with rectangular risers, inlets and inlet throats. Fillets will be required in the top slab of the Alt. A structure bottoms when used with the Alt. B risers. Each fillet shall be reinforced with two #5 bars.
- Inlet walls, throats, risers or manhole tops shall be secured to structures as shown on Index No. 201 (Sheet 3 of 5) Optional Construction Joints.
- Structures with depths over 14' below the mean high water table are to be checked for flotation by the designer of the drainage project.
- Units larger than specified standards may be substituted at the contractor's option when these units will not cause or increase the severity of utility conflicts. Such larger units shall be furnished at no additional cost to the Department. Larger Alt. A units cannot replace Alt. B units without approval of the Engineer. This note applies to this Index only.
- For manhole and junction box tops, for frames and covers, and, for supplementary details and notes see Index No. 201.
- Type J structure bottoms must have a minimum 6'-0" wall height when possible, for maintenance access.

C:\projects\standards\roadway\02200-s\02200-02.dgn 3:18:12 PM 6/24/2013 smg70re

**TABLE 3-MINIMUM STRUCTURE SIZES FOR SINGLE PIPE CONNECTION PER SIDE**

PIPE SIZE	RECTANGULAR		ROUND	
	Side Dimension (L)		Diameter (D)	
	Single Pipe Per Side	Note Number	Single Pipe or $\theta=180^\circ$	2 to 4 Pipes $\theta=90^\circ$
18"	3'-6"		3'-6"	4'-0"
24"	3'-6"		3'-6"	5'-0"
30"	3'-6"/4'-0"	2	4'-0"	6'-0"
36"	4'-0"/5'-0"	3	5'-0"	7'-0"
42"	5'-0"		6'-0"	7'-0"
48"	6'-0"		6'-0"	8'-0"
54"	6'-0"		7'-0"	10'-0"
60"	7'-0"		7'-0"	10'-0"
66"	7'-0"/8'-0"	4	8'-0"	12'-0"
72"	8'-0"		8'-0"	12'-0"
78"	9'-0"		10'-0"	12'-0"
84"	9'-0"		12'-0"	N/A

**TABLE 3 NOTES:**

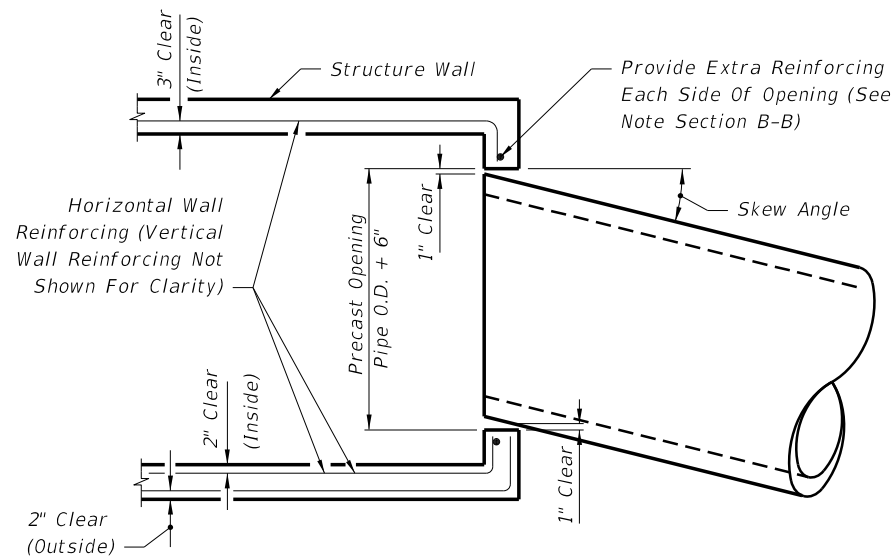
- For Round Structures sizes with variable angles between pipes and variable pipe sizes, refer to the FDOT Storm Drain Handbook.
- For 3'-6" Precast Square Structure Bottoms, 30" Pipes with similar invert elevations are not permitted in adjacent walls. Use 4'-0" Side Dimensions when 30" pipe openings are required on adjacent walls and the difference in flow lines is less than 3'-0".
- For 4'-0" Precast Square Structure Bottoms, 36" Pipes with similar invert elevations are not permitted in adjacent walls. Use 5'-0" Side Dimensions when 36" pipe openings are required on adjacent walls and the difference in flow lines is less than 3'-0".
- For 7'-0" Precast Square Structure Bottoms, 66" Pipes with similar invert elevations are not permitted in adjacent walls. Use 8'-0" Side Dimensions when 66" pipe openings are required on adjacent walls and the difference in flow lines is less than 4'-0".

**TABLE 4-MINIMUM SIZES FOR MULTIPLE PARALLEL PIPE CONNECTIONS FOR RECTANGULAR STRUCTURE BOTTOMS**

PIPE SIZE	PIPE SPACING (S)	MINIMUM WALL LENGTH (L) FOR NUMBER OF PARALLEL PIPES		
		2	3	4
18"	2'-10"	6'-0"	8'-6"	11'-0"
24"	3'-5"	6'-6"	10'-0"	13'-6"
30"	4'-3"	8'-0"	12'-6"	16'-6"
36"	5'-1"	9'-6"	14'-6"	19'-6"
42"	6'-0"	11'-0"	17'-0"	-
48"	6'-9"	12'-6"	19'-0"	-
54"	7'-8"	14'-0"	-	-
60"	8'-6"	15'-0"	-	-
66"	9'-0"	16'-6"	-	-
72"	10'-0"	18'-0"	-	-
78"	10'-9"	19'-0"	-	-
84"	11'-8"	20'-6"	-	-

**TABLE 4 NOTES:**

- Minimum wall lengths based on precast structures, using concrete pipe with maximum skew angles per Table 5.
- Wall lengths exceeding 20'-0" require special designs.

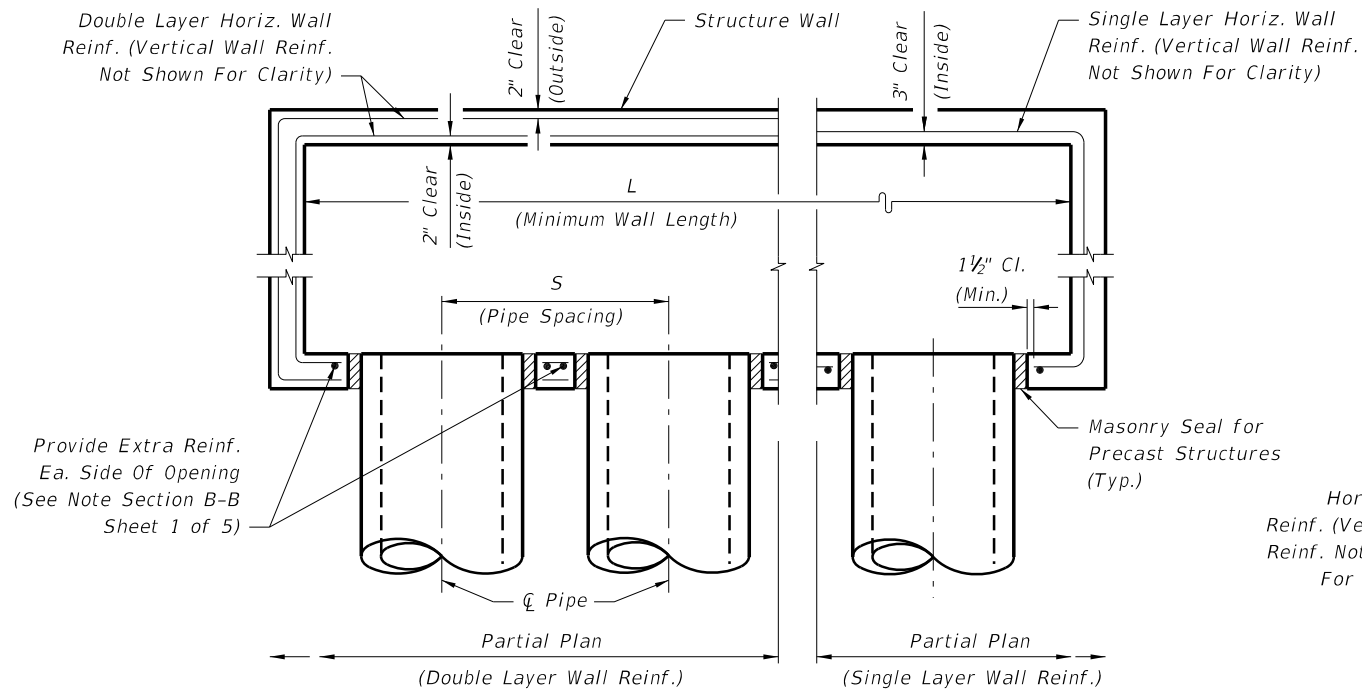


**MAXIMUM PIPE SKEW FOR PRECAST ROUND OPENINGS PLAN VIEW**

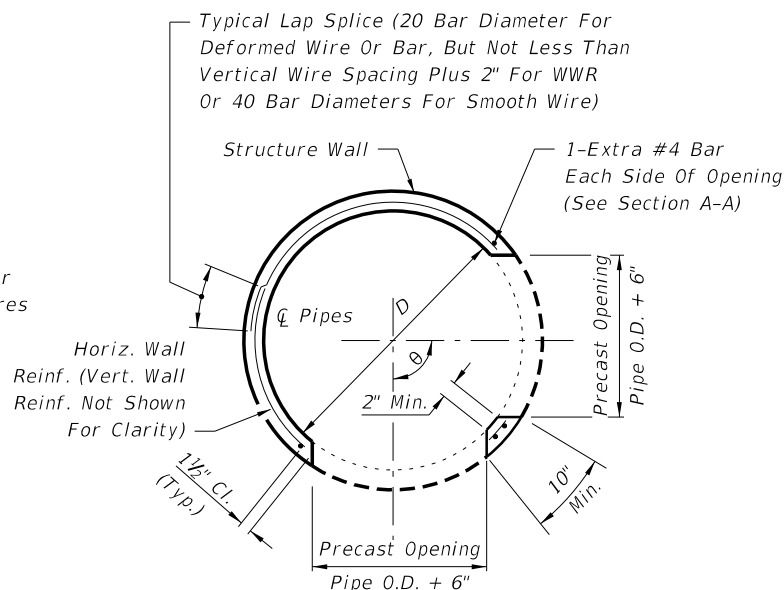
		TABLE 5 - MAXIMUM PIPE SKEW FOR PRECAST ROUND OPENINGS												
		WALL THICKNESS		PIPE SIZE										
MAXIMUM SKEW ANGLE	8"	6"	18"	24"	30"	36"	42"	48"	54"	60"	66"	72"	78"	84"
	19°	17°	16°	16°	15°	14°	14°	13°	13°	13°	13°	12°	12°	
	21°	20°	18°	17°	17°	16°	15°	15°	14°	14°	13°	13°	13°	

**TABLE 5 NOTES:**

These values are based on 2" clearance for precast structures. Larger skews are possible for Cast-In-Place Structures or elliptical pipe openings when approved by the Engineer.



**MULTIPLE PARALLEL PIPE CONNECTIONS DETAIL PLAN VIEW**



**PRECAST ROUND STRUCTURES WITH MULTIPLE PIPE CONNECTIONS**

**STRUCTURE SIZES FOR PIPE CONNECTIONS**

**SLAB DESIGNS - SQUARE AND RECTANGULAR STRUCTURES (TABLE 6)**  
(ALL SLABS 8" THICK EXCEPT AS NOTED - REINFORCING PARALLEL TO SHORT WAY AND LONG WAY)

SHORT-WAY		LONG-WAY	
SLAB DEPTH	SCHEDULE (Bars A)	SLAB DEPTH	SCHEDULE (Bars B)
<b>SIZE: 3'-6" x UNLIMITED</b>			
≥0.5' < 8'	B10	≥0.5' < 24'	B10
8' < 13'	B5.5	24'-40'	B5.5
13' < 31'	C6.5		
31'-40'	D7		
<b>SIZE: 4' x UNLIMITED</b>			
≥0.5' < 7'	B5.5	≥0.5' < 15'	B10
7' < 19'	C6.5	15' < 29'	B5.5
19' < 31'	D7	29'-40'	C6.5
31'-40'	E5		
<b>SIZE: 5' x 5'</b>			
≥0.5' < 3'	C6.5	≥0.5' < 3'	C6.5
3' < 7'	B5.5	3' < 13'	C6.5
7' < 22'	C6.5	13' < 22'	D7
22' < 29'	D7	22' < 29'	D4.5
29'-40'	E5	29'-40'	E5
<b>SIZE: 5' x 6'</b>			
≥0.5' < 12'	C6.5	≥0.5' < 3'	C6.5
12' < 26'	D7	3' < 9'	B5.5
26'-40'	E5	9' < 23'	C3.5
		23' < 35'	D4.5
		35'-40'	E5
<b>SIZE: 5' x 7'</b>			
≥0.5' < 10'	C6.5	≥0.5' < 10'	B5.5
10' < 20'	D7	10' < 31'	C3.5
20' < 34'	E5	31'-40'	D4.5
34'-40'	F5		
<b>SIZE: 5' x 8'</b>			
≥0.5' < 7'	C6.5	≥0.5' < 8'	B10
7' < 13'	D7	8' < 17'	B5.5
13' < 24'	E5	17' < 25'	C6.5
24'-40'	F5	25'-40'	C3.5
<b>SIZE: 5' x 9'</b>			
≥0.5' < 8'	C6.5	≥0.5' < 14'	B10
8' < 14'	D7	14' < 24'	B5.5
14' < 25'	E5	24' < 34'	C6.5
25'-40'	F5	34'-40'	C3.5
<b>SIZE: 5' x UNLIMITED</b>			
≥0.5' < 8'	C6.5	≥0.5' < 14'	B10
8' < 14'	D7	14' < 24'	B5.5
14' < 25'	E5	24' < 34'	C6.5
25'-40'	F5	34'-40'	C3.5

SHORT-WAY		LONG-WAY	
SLAB DEPTH	SCHEDULE (Bars A)	SLAB DEPTH	SCHEDULE (Bars B)
<b>SIZE: 6' x 6'</b>			
≥0.5' < 13'	C6.5	≥0.5' < 10'	C3.5
13' < 23'	D7	10' < 18'	D4.5
23'-40'	E5	18' < 27'	E5
		27' < 33'	E3
		33'-40'	F5
<b>SIZE: 6' x 7'</b>			
≥0.5' < 8'	C6.5	≥0.5' < 8'	C6.5
8' < 16'	D7	8' < 12'	C3.5
16' < 28'	E5	12' < 21'	D4.5
28'-40'	F5	21' < 28'	E5
		28' < 35'	E3
		35'-40'	F5
<b>SIZE: 6' x 8'</b>			
≥0.5' < 6'	C6.5	≥0.5' < 6'	B5.5
6' < 13'	D7	6' < 11'	C6.5
13' < 22'	E5	11' < 17'	C3.5
22' < 35'	F5	17' < 22'	D4.5
35'-40'	G5	22' < 32'	E5
		32'-40'	E3
<b>SIZE: 6' x 9'</b>			
≥0.5' < 8'	D7	≥0.5' < 8'	B5.5
8' < 14'	E5	8' < 14'	C6.5
14' < 24'	F5	14' < 21'	C3.5
24'-34'	G5	21' < 25'	D4.5
		25'-34'	E5
<b>SIZE: 6' x UNLIMITED</b>			
≥0.5' < 8'	D7	≥0.5' < 8'	B5.5
8' < 14'	E5	8' < 14'	C6.5
14' < 24'	F5	14' < 21'	C3.5
24'-34'	G5	21' < 25'	D4.5
		25'-34'	E5
<b>SIZE: 7' x 7'</b>			
≥0.5' < 8'	C6.5	≥0.5' < 4'	C6.5
8' < 15'	D7	4' < 7'	C3.5
15' < 26'	E5	7' < 11'	D4.5
26'-40'	F5	11' < 22'	E3
		22' < 32'	F3.5
		32'-40'	G3.5
<b>SIZE: 7' x 8'</b>			
≥0.5' < 5'	C6.5	≥0.5' < 5'	C6.5
5' < 11'	D7	5' < 8'	C3.5
11' < 19'	E5	8' < 13'	D4.5
19' < 30'	F5	13' < 22'	E3
30'-40'	G5	22' < 30'	F3.5
		30'-40'	G3.5
<b>SIZE: 7' x 9'</b>			
≥0.5' < 9'	D7	≥0.5' < 7'	C6.5
9' < 15'	E5	7' < 10'	C3.5
15' < 25'	F5	10' < 14'	D4.5
25' - 34'	G5	14' < 21'	E5
		21' < 29'	F5
		29'-34'	F3.5

SHORT-WAY		LONG-WAY	
SLAB DEPTH	SCHEDULE (Bars A)	SLAB DEPTH	SCHEDULE (Bars B)
<b>SIZE: 8' x 8'</b>			
≥0.5' < 10'	D7	≥0.5' < 9'	D4.5
10' < 19'	E5	9' < 13'	E5
19'-30'	F5	13' < 18'	F5
		18' < 23'	F3.5
		23'-30'	G3.5
<b>SIZE: 8' x 9'</b>			
≥0.5' < 8'	D7	≥0.5' < 7'	D7
8' < 14'	E5	7' < 9'	D4.5
14' < 23'	F5	9' < 15'	E3
23'-31'	G3.5	15' < 20'	F5
		20' < 23'	F3.5
		23'-31'	G3.5
<b>SIZE: 9' x 9'</b>			
≥0.5' < 8'	D7	≥0.5' < 7'	D4
8' < 14'	E5	7' < 10'	E5
14' < 22'	F5	10' < 17'	F3.5
		17' < 22'	G3.5
<b>SIZE: 9'x9'x10" SLAB THICKNESS</b>			
22' < 36'	F5	22' < 31'	F3.5
36'-40'	G5	31'-40'	G3.5
<b>SIZE: 10'x10'x10" SLAB THICKNESS</b>			
≥0.5' < 7'	C6.5	0.5' < 6'	C6.5
7' < 10'	D7	6' < 9'	D4.5
10' < 18'	E5	9' < 15'	E5
18' < 27'	F5	15' < 22'	F5
27'-32'	G5	22'-32'	G3.5
<b>SIZE: 12'x12'x12" SLAB THICKNESS</b>			
≥0.5' < 10'	D7	≥0.5' < 8'	D7
10' < 16'	E5	8' < 14'	E5
16' < 25'	F5	14' < 22'	F5
25'-35'	G5	22' < 30'	G5
		30'-35'	H4

**SLAB DESIGNS - ROUND STRUCTURES (TABLE 7)**

SLAB DEPTH	SLAB THICKNESS	REINF. (2-WAY) SCHEDULE
<b>SIZE: 3'-6" DIAMETER</b>		
2'-15'	6" Precast	C6.5
0.5' < 30'	8"	A6
30'-40'	8"	B5.5
<b>SIZE: 4'-0" DIAMETER</b>		
≥0.5' < 19'	8"	A6
19' < 30'	8"	B5.5
30'-40'	8"	C6.5
<b>SIZE: 5'-0" DIAMETER</b>		
≥0.5' < 15'	8"	B5.5
15' < 26'	8"	C6.5
26' < 35'	8"	D7
35'-40'	8"	D4.5
<b>SIZE: 6'-0" DIAMETER</b>		
≥0.5' < 9'	8"	B5.5
9' < 15'	8"	C6.5
15' < 22'	8"	C3.5
22' < 30'	8"	D4.5
30'-40'	8"	E5
<b>SIZE: 7'-0" DIAMETER</b>		
≥0.5' < 8'	8"	C3.5
8' < 16'	8"	D4.5
16' < 23'	8"	E5
23' < 27'	8"	E3
27'-40'	8"	F3.5
<b>SIZE: 8'-0" DIAMETER</b>		
≥0.5' < 10'	8"	D4.5
10' < 16'	8"	E5
16' < 19'	8"	E3
19' < 29'	8"	F3.5
29'-40'	10"	F5
<b>SIZE: 10'-0" DIAMETER</b>		
≥0.5' < 12'	10"	D4.5
12' < 20'	10"	E5
20' < 28'	10"	F5
28'-40'	10"	G3.5
<b>SIZE: 12'-0" DIAMETER</b>		
≥0.5' < 8'	10"	D4.5
8' < 13'	10"	E5
13' < 18'	10"	F5
18' < 26'	10"	G3.5
26'-40'	12"	G3.5

**SLAB AND WALL DESIGN TABLE NOTES**

- Size is the inside dimension(s) of a structure.
- Slab reinforcement is appropriate for top, intermediate, and bottom slabs.
- Bottom Slabs for precast 3'-6" x 3'-6" rectangular structures at 15' depth or less, may be 6" thick.
- Slab depth is measured from finished grade to top of slab.
- Wall depth is measured to the top of the bottom slab for boxes and to the top of the intermediate slab for risers.
- Wall height is the distance between top of lower slab to bottom of upper slab. Maximum wall height is 12' for wall lengths exceeding 5', or 10' for wall lengths exceeding 12'.
- Wall lengths exceeding 6'-0" require two layers of reinforcing (See Table 8) with 2" of cover from the horizontal bars to the inside and outside faces for each layer.
- Wall lengths exceeding the dimensions or depths shown in Table 8, or 12'-0" diameter require a special design.
- Wall thickness and reinforcing for rectangular structures is the same for both long and short sides.
- Reinforcing schedules with larger areas of steel may be substituted for schedules with smaller bar or wire spacing, except that Schedule B10 may not be substituted for Schedule A6. See Index 201, Sheet 4 for allowable bar spacing adjustments when larger areas of reinforcing are substituted.

C:\projects\standards\roadway\02200-s-00200-04.dgn 3:18:16 PM 6/24/2013 sm970re

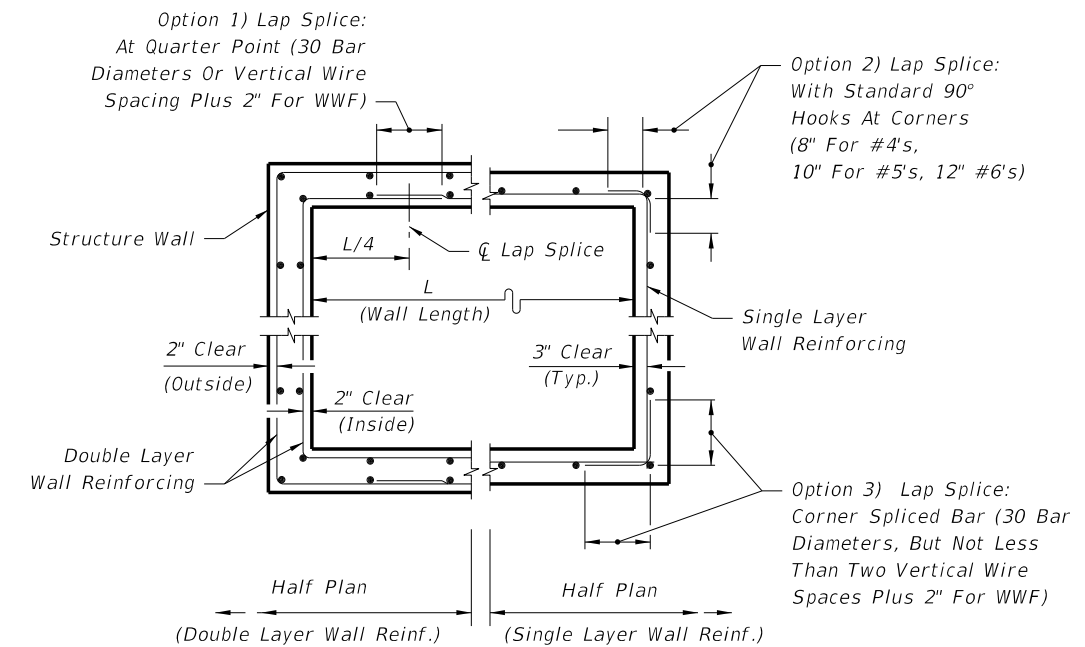
WALL DESIGNS - RECTANGULAR STRUCTURES (TABLE 8)

VERTICAL REINFORCING		HORIZONTAL REINFORCING		WALL THICKNESS
WALL DEPTH	SCHEDULE	WALL DEPTH	SCHEDULE	
SIZE: 3'-6" & RISERS				
≥1.17' - 40'	A12	≥1.17' < 10'	B10	6"/8"
		10' < 18'	B5.5	6"/8"
		18' < 29'	C6.5	6"/8"
		29' - 40'	C3.5	6"/8"
SIZE: 4'-0"				
≥1.17' - 40'	A12	≥1.17' < 6'	B10	6"/8"
		6' < 10'	B5.5	6"/8"
		10' < 20'	C6.5	6"/8"
		20' < 28'	C3.5	6"/8"
		28' - 40'	D4.5	6"/8"
SIZE: 5'-0"				
≥1.17' - 40'	A12	≥1.17' < 5'	B5.5	6"/8"
		5' < 9'	C6.5	6"/8"
		9' < 15'	C3.5	6"/8"
		15' < 22'	D4.5	6"/8"
		22' - 40'	E3	8"
SIZE: 6'-0"				
≥1.17' < 26'	A12	≥1.17' < 9'	C3.5	6"/8"
		9' < 15'	D4.5	6"/8"
		15' < 26'	E3	8"
	Inside/Outside		Inside/Outside	
26' - 40'	A12 A12	26' - 40'	D7 D7	8"
SIZE: 7'-0"				
	Inside/Outside		Inside/Outside	
≥1.17' < 25'	A12 A12	≥1.17' < 7'	B10 B10	8"
26' - 40'	B10 B10	7' < 10'	B5.5 B5.5	8"
		10' < 20'	C6.5 C6.5	8"
		20' < 30'	D7 D7	8"
		30' - 40'	E5 E5	8"
SIZE: 8'-0"				
	Inside/Outside		Inside/Outside	
≥1.17' < 20'	A12 A12	≥1.17' < 6'	B5.5 B5.5	8"
20' - 40'	C6.5 C6.5	6' < 13'	C6.5 C6.5	8"
		13' < 22'	D7 D7	8"
		22' < 31'	E5 E5	8"
		31' - 40'	F5 F5	8"
SIZE: 9'-0"				
	Inside/Outside		Inside/Outside	
≥1.17' < 12'	A12 A12	≥1.17' < 8'	C6.5 C6.5	8"
12' < 28'	C6.5 C6.5	8' < 15'	D7 D7	8"
28' - 40'	D7 D7	15' < 23'	E5 E5	8"
		23' - 40'	F5 F5	8"
SIZE: 10'-0"				
	Inside/Outside		Inside/Outside	
≥1.17' < 10'	B10 B10	≥1.17' < 10'	D7 D7	8"
10' < 21'	C6.5 C6.5	10' < 17'	E5 E5	8"
21' < 26'	D7 D7	17' < 26'	F5 F5	8"
26' - 40'	C6.5 C6.5	26' - 40'	F5 F5	10"

VERTICAL REINFORCING		HORIZONTAL REINFORCING		WALL THICKNESS
WALL DEPTH	SCHEDULE	WALL DEPTH	SCHEDULE	
SIZE: 10'-0" (Precast Only)				
	Inside/Outside		Inside/Outside	
26' - 40'	D7 D7	26' - 40'	F5 F5	9"
SIZE: 12'-0"				
	Inside/Outside		Inside/Outside	
≥1.17' < 14'	B10 B10	≥1.17' < 10'	C6.5 C6.5	10"
14' < 25'	C6.5 C6.5	10' < 17'	D7 D7	10"
25' - 40'	D7 D7	17' < 24'	E5 E5	10"
		24' - 40'	F5 F5	10"
SIZE: 12'-0" (Precast Only)				
	Inside/Outside		Inside/Outside	
≥1.17' < 12'	B10 B10	≥1.17' < 10'	D7 D7	9"
12' < 24'	C6.5 C6.5	10' < 17'	D4.5 D4.5	9"
24' - 40'	D7 D7	17' < 23'	E5 E5	9"
		23' < 32'	F5 F5	9"
		32' - 40'	G5 G5	9"
SIZE: 16'-0"				
	Inside/Outside		Inside/Outside	
≥1.17' < 11'	C6.5 C6.5	≥1.17' < 13'	D7 D7	10"
11' < 20'	D7 D7	13' < 20'	E5 E5	10"
20' < 28'	E5 E5	20' < 28'	F5 F5	10"
28' - 40'	F5 F5	28' - 40'	G5 G5	10"
SIZE: 16'-0" (Precast Only)				
	Inside/Outside		Inside/Outside	
≥1.17' < 10'	C6.5 C6.5	≥1.17' < 9'	D7 D7	9"
10' < 18'	D7 D7	9' < 13'	D4.5 D4.5	9"
18' < 25'	E5 E5	13' < 19'	E5 E5	9"
25' - 35'	F5 F5	19' < 27'	F5 F5	9"
		27' - 35'	G5 G5	9"
SIZE: 20'-0"				
	Inside/Outside		Inside/Outside	
≥1.17' < 10'	C6.5 C6.5	≥1.17' < 8'	D7 D7	10"
10' < 17'	D7 D7	8' < 12'	E5 E5	10"
17' - 30'	E5 E5	12' < 20'	F5 F5	10"
		20' - 30'	G5 G5	10"
SIZE: 20'-0" (Precast Only)				
	Inside/Outside		Inside/Outside	
≥1.17' < 8'	C6.5 C6.5	≥1.17' < 8'	D4.5 D4.5	9"
8' < 13'	D7 D7	8' < 12'	E5 E5	9"
13' - 25'	E5 E5	12' < 19'	F5 F5	9"
		19' - 25'	G5 G5	9"

REINFORCING SCHEDULE				
SCHEDULE	GRADE 60 BARS OR 65 KSI & 70 KSI WELDED WIRE REINFORCING			
	GRADE 60 AREA (in. <sup>2</sup> /ft.)	MAXIMUM SPACING		
		GR 60 BARS (in.)	65 KSI (in.)	70 KSI (in.)
A12	0.20	12	8	8
A6	0.20	6	5	4½
B10	0.24	10	8	7½
B5.5	0.24	5½	5	4
C6.5	0.37	6½	6	5
C3.5	0.37	3½	3	2½
D7	0.53	7	6	5
D4.5	0.53	4½	4	3½
E5	0.73	5	4	4
E3	0.73	3	3	3
F5	1.06	5	4	4
F3.5	1.06	3½	3	3
G5	1.45	5	4	4
G.3.5	1.45	3½	3	3
H4	1.75	4	3	3

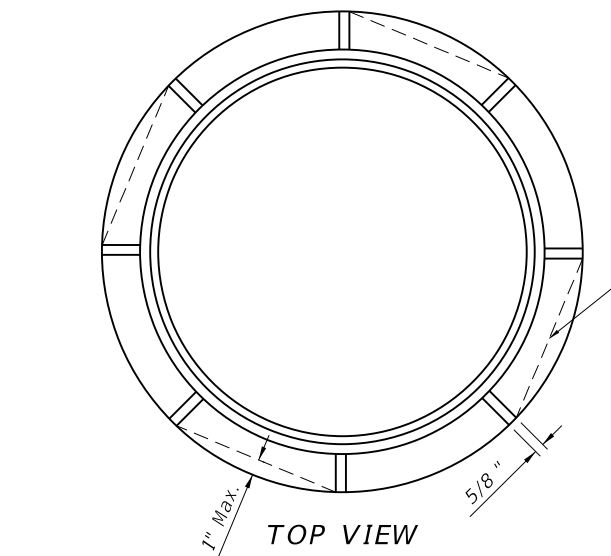
\*Equivalent Area Welded Wire Reinforcing may be substituted in accordance with Index No. 201, Sheet 4.



WALL REINFORCING SPLICE DETAILS (ALTERNATE B)

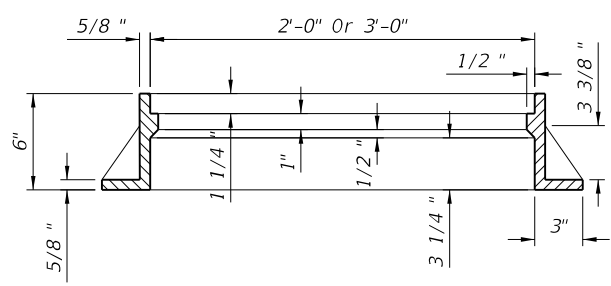
C:\projects\standards\roadway\02200-s\02200-05.dgn 3:18:18 PM smg70re 6/24/2013

6/24/2013 3:18:22 PM sm970re C:\projects\standards\roadway\02200-s\02201-01.dgn

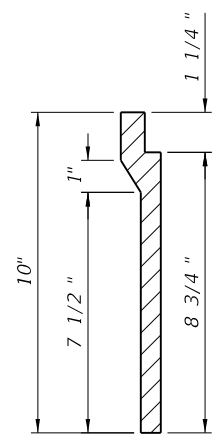


TOP VIEW

Clips Permitted On 3'-0" Frame

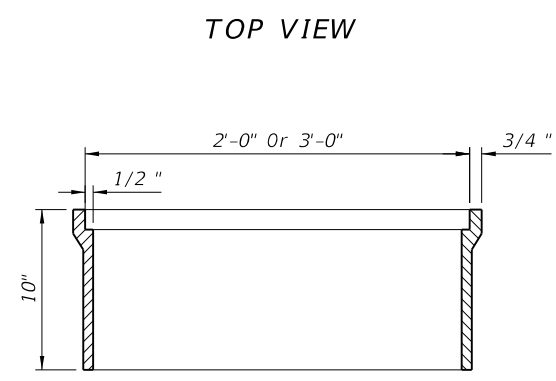


SECTION For Manholes TYPE I



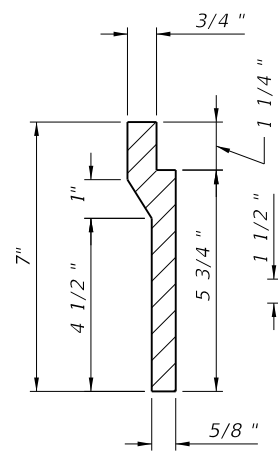
WALL SECTION

For Curb Inlets Types 1, 2, 3, & 4



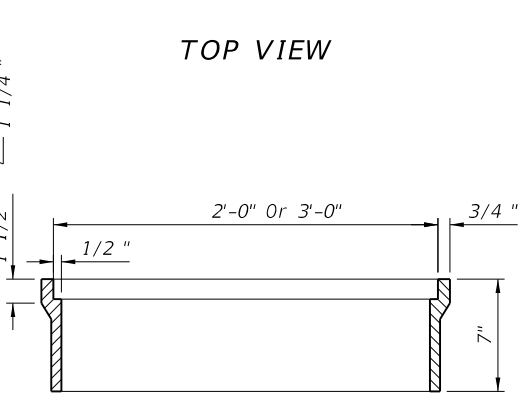
SECTION

TYPE II



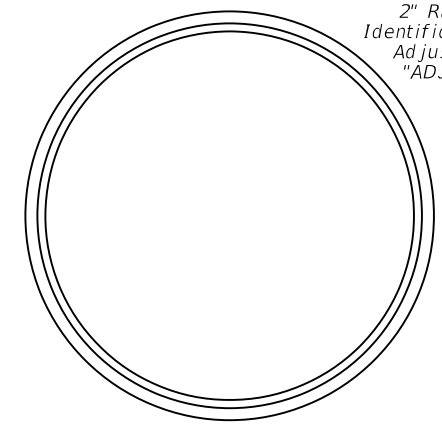
WALL SECTION

For Curb Inlets Types 7 & 8



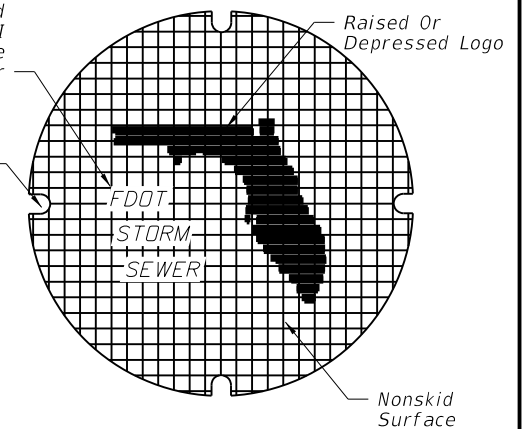
SECTION

TYPE III



TOP VIEW

2" Raised Or Depressed Identification Letter Type I Adjustable Shall Include "ADJUSTABLE" On Cover



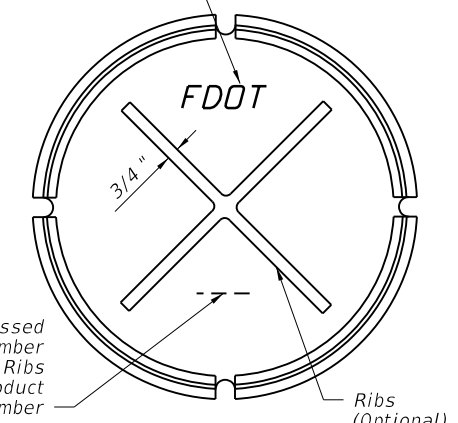
TOP VIEW

Pick-Up Hole

Raised Or Depressed Logo

Nonskid Surface

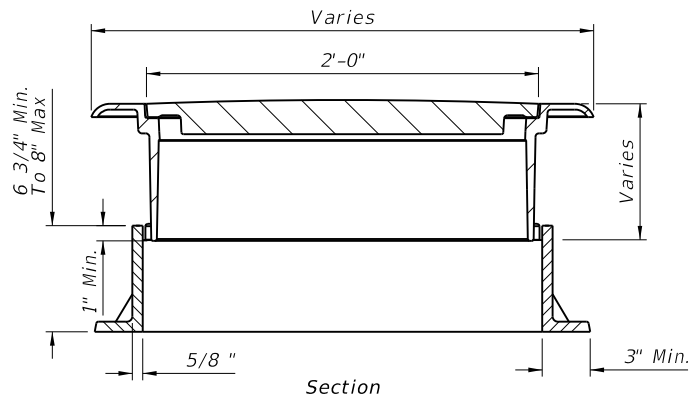
2" Raised Or Depressed Identification Letter



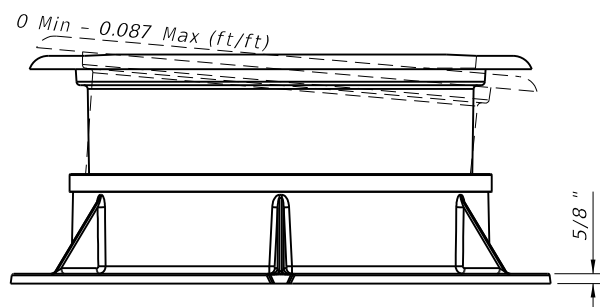
BOTTOM VIEW

2" Raised Or Depressed Identification Number Covers With And Without Ribs Shall Bear The Same Product Identification Number

Ribs (Optional)



Section



Front View TYPE I ADJUSTABLE

WEIGHT OF CASTINGS (lb)						
Frame Type	2' OPENING		3' OPENING			
	Frame	Cover (Std.)	Frame	2-Piece Cover		
				Inside	Outside	Total
I *	155	190	220	190	220	410
II	145	190	255	190	220	410
III	90	190	180	190	220	410

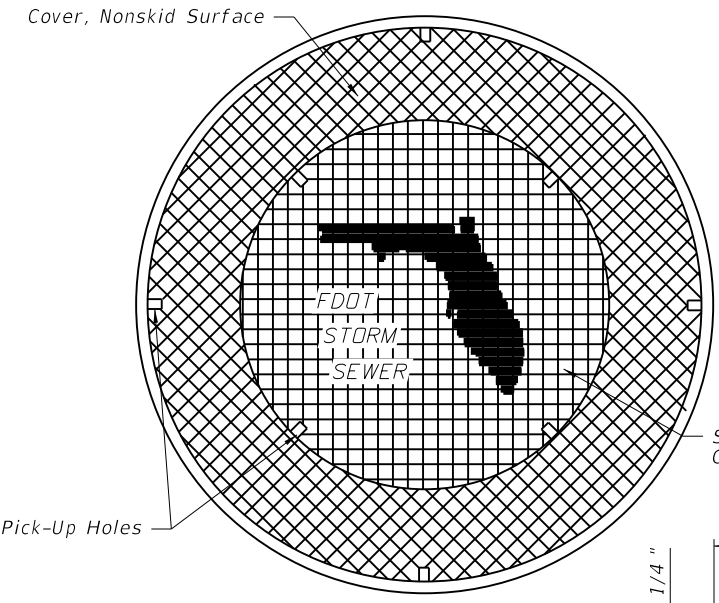
\* Includes Type I Adjustable

NOTES (FRAMES, AND COVER)

- The standard cover is to be used for all frames Types I, II, III and the 2-piece cover, and is the replacement cover for all previous frames with 1 1/2" deep seats (traffic type). The 185 lb. cover (nontraffic type), 1984 Roadway and Traffic Design Standards Index No. 201, is the replacement cover for existing frames with 1/2" deep seats. Installation of frame with 1/2" deep seats is not permitted.
- Use the 2'-0" cover, unless the 2-piece cover is called for in the plans, except at inlets and manholes with sump bottoms use the 2-piece cover when the sump depth exceeds 2', unless otherwise noted.

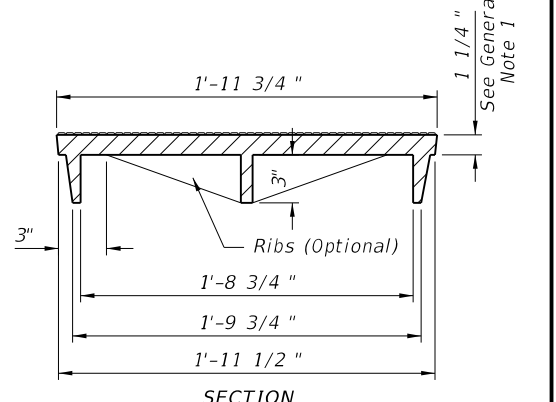
DESIGNER NOTE:

Consider using the 2-piece cover where depths exceed 5' and manual entry may be required for cleaning. Clearly note the requirement for a 2-piece cover, on the Drainage Structure sheets in the plans.

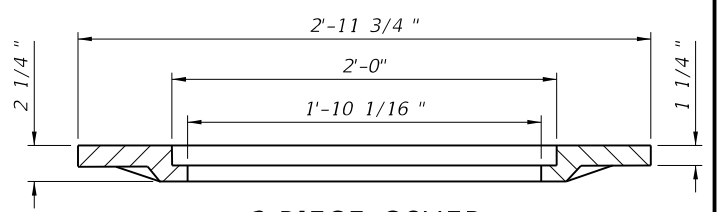


For Use With Types I, II And III Frames With 3'-0" Opening

2-PIECE COVER

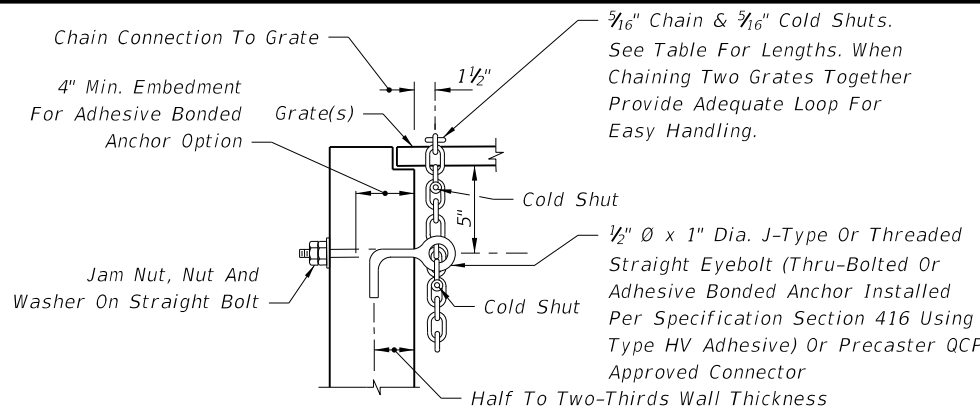


COVER FOR ALL FRAMES



2-PIECE COVER

See General Note 1



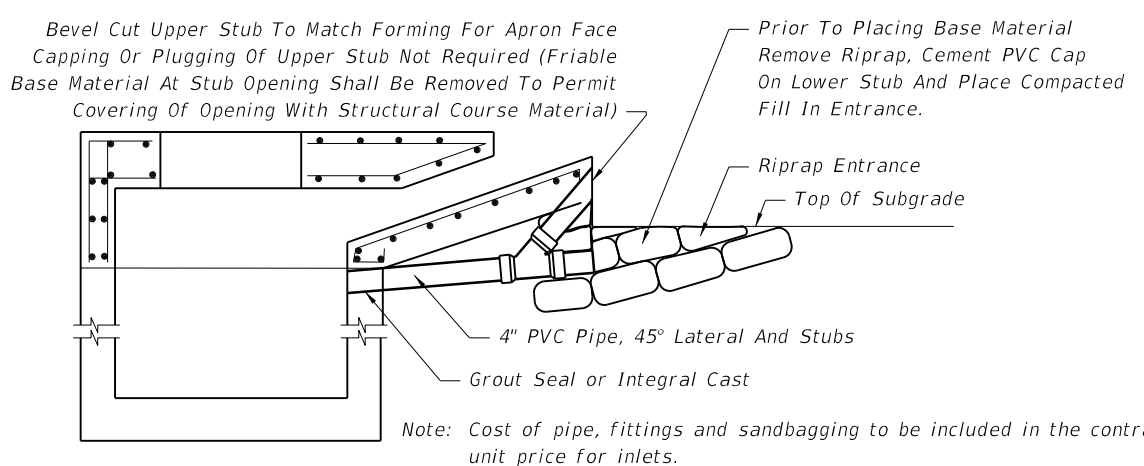
NOTE: When Alternate "G" grate is specified, the chain, bolt, nuts, washer and cold shuts shall be galvanized in accordance with Section 425 of the Standard Specifications.

Cost of eyebolt and chain to be included in the contract unit price for inlets.

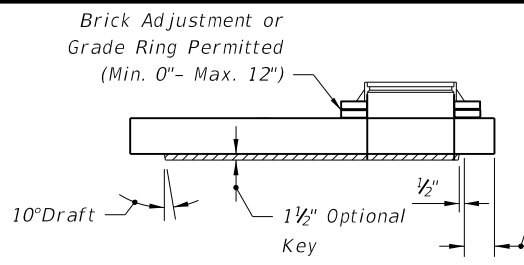
**EYEBOLT AND CHAIN REQUIREMENTS**

Index Number	Inlet Type	Eye-Bolts	Length Of Chain	Handling & Remarks
217	(MB) 1	1	4'-0"	Slide & Spin
	(MB) 2	1	4'-0"	Slide & Spin
	(MB) 3	2	2 @ 4'-0"	Slide & Spin
	(MB) 4	2	2 @ 4'-0"	Slide & Spin
	(MB) 5	2	2 @ 4'-0"	Slide & Spin
218	(BW)	1	3'-8"	Slide Or Slide & Spin
219	(BW, RGD)	1	4'-0"	Slide & Spin
220	S	1	4'-0"	Slide & Spin
221	V	1	4'-0"	Slide & Spin
230	A	1	3'-0"	Slide
231	B	1	5'-0"	Slide & Spin
232	C	1	2'-6"	Slide & Spin
	D	1	2'-6"	Slide & Spin
	E	2	2 @ 2'-6"	Slide & Spin
	H	2	2 @ 2'-6"	Flip Ctr. Grate and Slide & Spin Single Free Grate
			1 or 2 @ 1'-6"	Ctr. Grate(s) Chained To One End Grate
233	F	1	3'-6"	Flip Or Slide & Spin
	G	1	6'-0"	Slide
			2'-0"	Lifting Loop
234	J	1	4'-0"	Slide & Spin

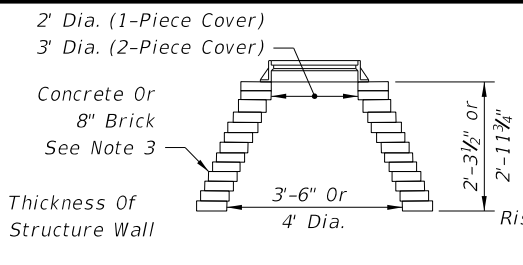
**EYEBOLT AND CHAIN FOR LOCKING GRATES TO INLETS**



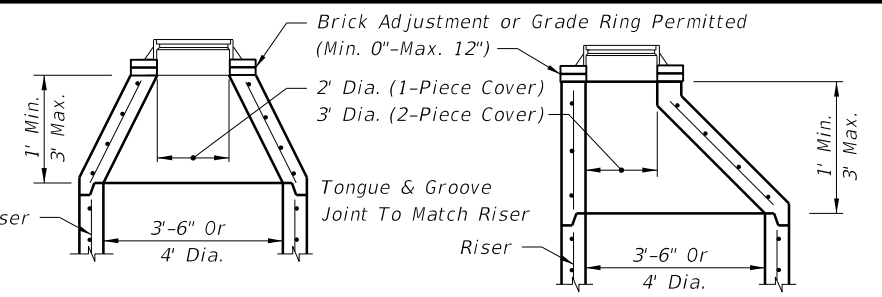
**TEMPORARY DRAINS FOR SUBGRADE AND BASE**



**SECTION TYPE 7**  
Note: See Slab Designs Index No. 200.



**BRICK OR CONCRETE PRECAST CONCENTRIC CONE TYPE 8**



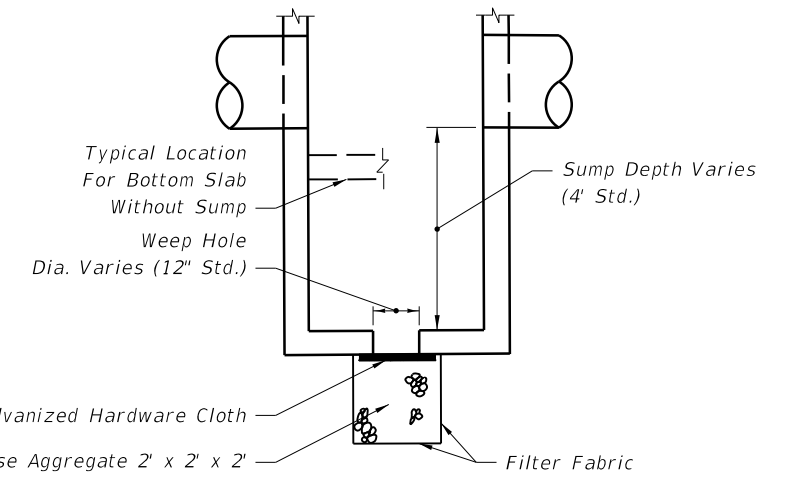
**PRECAST ECCENTRIC CONE TYPE 8**

**NOTES (TOPS)**

- Manhole top Type 7 slabs shall be of Class II concrete. Concrete as specified in ASTM C478 may be used for precast units; see General Note No. 3.
- Manhole top Type 7 slabs may be of cast-in-place or precast construction. The optional key is for precast tops and in lieu of dowels. Frame and slab openings are to be omitted when top is used over a junction box.
- Manhole top Type 8 may be of cast-in-place or precast concrete construction or brick construction. For concrete construction, the concrete and steel reinforcement shall be the same as the supporting wall unit. An eccentric cone may be used.
- Manhole tops shall be secured to structures by optional construction joints as shown on Sheet 3.
- Frames can be adjusted a maximum 12" height with brick or precast ASTM C478 grade rings.
- Substitution of manhole top Type 8 for manhole top Type 7 is allowed provided that minimum dimensions shown above are not reduced.
- Substitution of Manhole top Type 7 for Type 8 is allowed if the minimum thickness (h) above pipe opening cannot be maintained with manhole top Type 8.

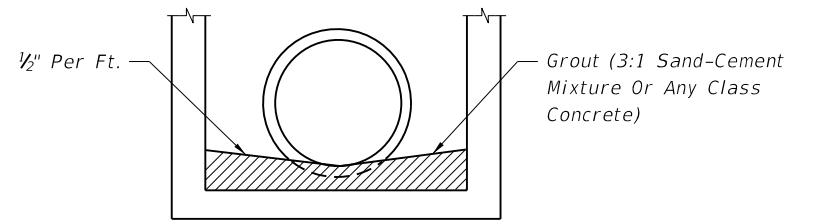
**DESIGN NOTES**

- Manhole top Type 8 should be specified in the plans when depths shown above can be maintained.

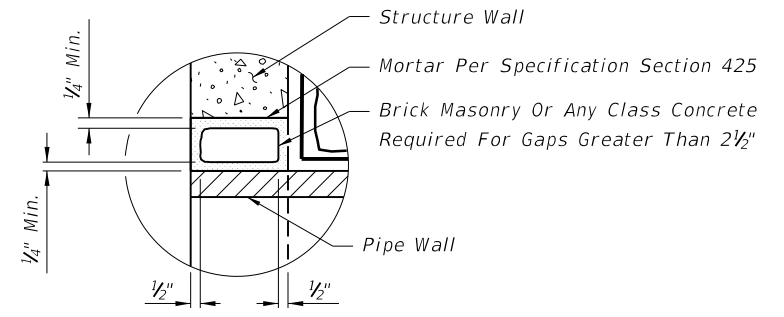


NOTE: Sump bottom appropriate for all manhole and inlet types. Sumps are to be constructed in inlet and manholes connected to French Drains unless excluded in the plans. At other locations, sump is to be constructed only where called for in the plans. Weep holes to be constructed in sump bottom only where called for in the plans. Cost of sump bottom and weep hole to be included in the contract unit price for inlet or manhole.

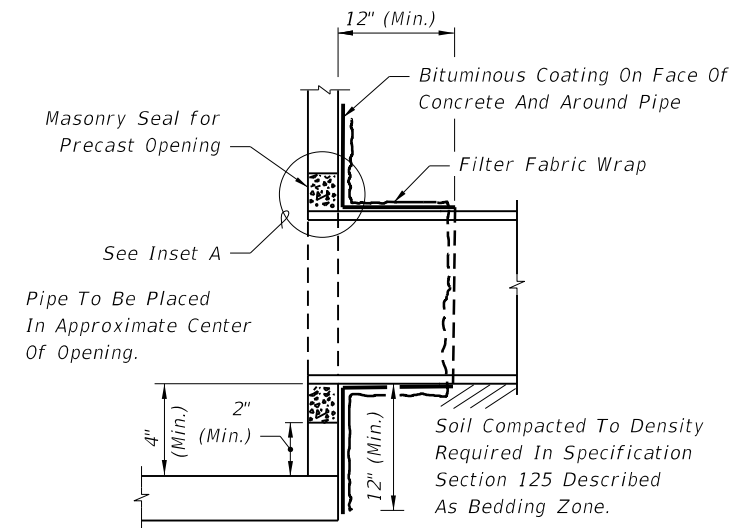
**SUMP BOTTOM**



**FOR ALL STRUCTURES UNLESS EXCLUDED BY SPECIAL DETAIL ALL PIPE TYPES DRAINAGE STRUCTURE INVERT**



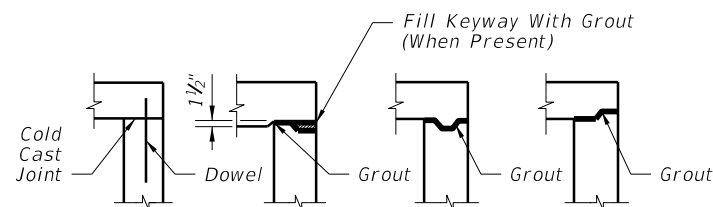
**INSET A**



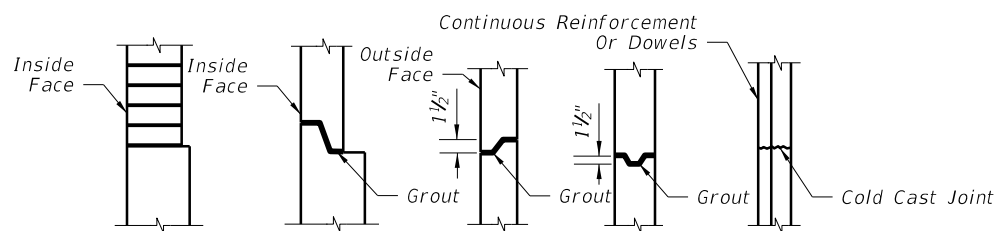
**FILTER FABRIC WRAP ON GROUTED PIPE TO STRUCTURE JOINT**

C:\projects\standards\roadway\00200-s\00201-02.dgn smg70re 3:18:24 PM 6/24/2013

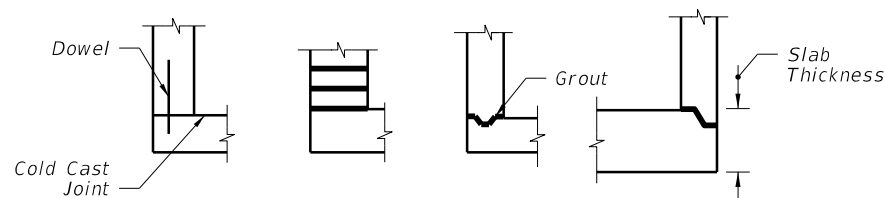
C:\projects\standards\roadway\02200-s\02201-03.dgn  
 sm970re  
 3:18:26 PM  
 6/24/2013



**TOP SLABS TO WALLS**



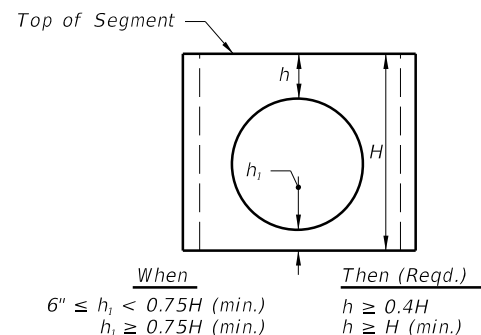
**WALL JOINTS**



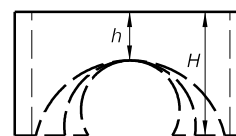
**BOTTOM SLABS TO WALLS**

1. One or more types of joints may be used in a single structure, except brick wall structure. Brick wall construction is permitted on circular units only.
2. All grouted joints are to have a maximum thickness of 1".
3. Keyways are to be a minimum of 1 1/2" deep.
4. Joint dowels are to be #4 bars, 12" long with a minimum of 6 bars per joint approximately evenly spaced for circular structures or at maximum 12" spacing for rectangular structures. Bars may be either Adhesive Bonded Dowels in accordance with Specification Section 416, or placed approximately 6" into fresh concrete leaving the remainder to extend into the secondary cast. Welded wire fabric may be substituted for the dowel bar in accordance with the equivalent steel area table on Sheet 4.
5. Minimum cover on dowel reinforcing bars is 2" to outside face of structure.
6. Joints between wall segments and between wall segments and top or bottom slabs may be sealed either by preformed plastic gasket material using the procedures given in Section 430-7.3.1 of the Specifications or by non-shrink grout, in accordance with Section 934 of the Specifications.
7. Approved product inserts may be used in lieu of dowel embedment.

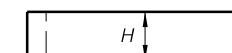
**OPTIONAL CONSTRUCTION JOINTS**



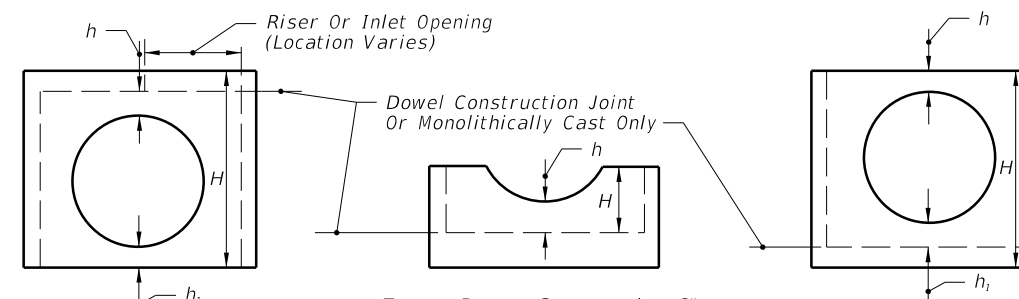
**SEPARATE RISER SEGMENTS WITH CONSTRUCTION JOINTS OTHER THAN DOWEL OPTION**



Segments may be inverted. Opening for pipe shall be the pipe OD plus 6" (± 2" tolerance). If h can not be attained, then a top or bottom slab must be attached to the segment as shown below.



Minimum Value For H	
H (min.)	Box Or Riser Diameter
1'-0"	3'-6" & 4'-0"
1'-6"	5'-0" & 6'-0"
2'-0"	>6'-0"

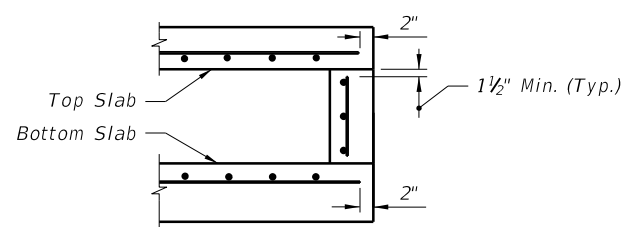


**SEGMENTS FOR SLAB TO WALL DOWEL CONSTRUCTION JOINTS OR MONOLITHICALLY CAST SEGMENTS**

NOTE: h may be less than 6" when approved by the Engineer, but not for inlet segments at finish grade elevation.

**COMPARATIVE SIDE VIEWS**

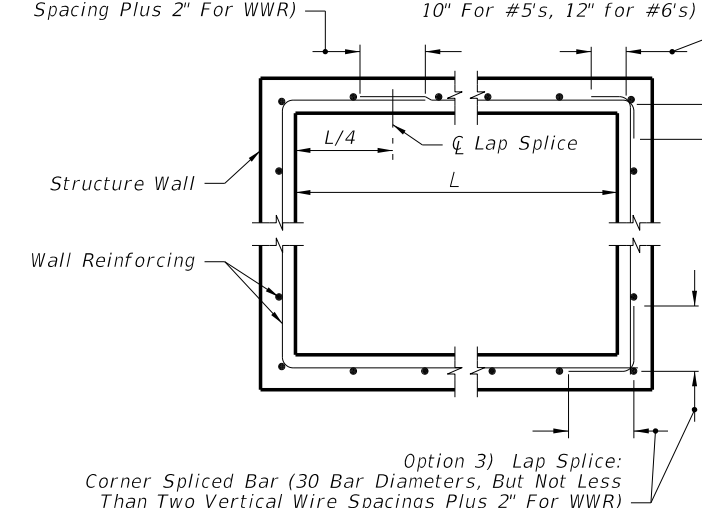
**MINIMUM DIMENSIONS FOR BOX AND RISER SEGMENTS**



(NOTE: NOT APPLICABLE AROUND MANHOLE AND RISER OPENINGS)

**REBAR STRAIGHT END EMBEDMENT FOR TOP AND BOTTOM SLABS**

Option 1) Lap Splice: At Quarter Point (30 Bar Diameters Or Vertical Wire Spacing Plus 2" For WWR)  
 Option 2) Lap Splice: Standard 90° Hooks At Corners (8" For #4's, 10" For #5's, 12" For #6's)



**WALL REINFORCING SPLICE DETAILS**

EXAMPLE TABLE OF EQUIVALENT STEEL AREA

SCHEDULE	GRADE 60 REINFORCING BAR		EQUIVALENT GRADE 40 REINFORCING BAR		EQUIVALENT 65 KSI SMOOTH WELDED WIRE REINFORCEMENT		EQUIVALENT 70 KSI DEFORMED WELDED WIRE REINFORCEMENT	
	Bar Size & Spacing	Steel Area (in <sup>2</sup> /ft)	Bar Size & Spacing	Min. Steel Area (in <sup>2</sup> /ft)	Style Designation	Min. Steel Area (in <sup>2</sup> /ft)	Style Designation	Min. Steel Area (in <sup>2</sup> /ft)
A	#3 @ 6 1/2" Ctrs. #4 @ 12" Ctrs.	0.20	#3 @ 4 1/2" Ctrs. #4 @ 8" Ctrs. #5 @ 12" Ctrs.	0.30	3"x3"-W4.6xW4.6 4"x4"-W6.2xW6.2 6"x6"-W9.2xW9.2	0.1846	3"x3"-D4.3xD4.3 4"x4"-D5.7xD5.7 6"x6"-D8.6xD8.6	0.1714
B	#3 @ 5 1/2" Ctrs. #4 @ 10" Ctrs.	0.24	#3 @ 3 1/2" Ctrs. #4 @ 6 1/2" Ctrs. #5 @ 10" Ctrs.	0.36	3"x3"-W5.5xW5.5 4"x4"-W7.4xW7.4 6"x6"-W11.1xW11.1	0.2215	3"x3"-D5.1xD5.1 4"x4"-D6.9xD6.9 6"x6"-D10.3xD10.3	0.2057
Special 1	#3 @ 5" Ctrs. #4 @ 9" Ctrs.	0.267	#3 @ 3" Ctrs. #4 @ 6" Ctrs. #5 @ 9" Ctrs.	0.40	3"x3"-W6.2xW6.2 4"x4"-W8.2xW8.2 6"x6"-W12.3xW12.3	0.2465	3"x3"-D5.7xD5.7 4"x4"-D7.6xD7.6 6"x6"-D11.4xD11.4	0.2289
C	#3 @ 3 1/2" Ctrs. #4 @ 6 1/2" Ctrs. #5 @ 10" Ctrs.	0.37	#4 @ 4" Ctrs. #5 @ 6 1/2" Ctrs. #6 @ 9 1/2" Ctrs.	0.555	3"x3"-W8.5xW8.5 4"x4"-W11.4xW11.4 6"x6"-W17.1xW17.1	0.3415	3"x3"-D7.9xD7.9 4"x4"-D10.6xD10.6 6"x6"-D15.9xD15.9	0.3171
D	#4 @ 4 1/2" Ctrs. #5 @ 7" Ctrs. #6 @ 10" Ctrs.	0.53	#4 @ 3" Ctrs. #5 @ 4 1/2" Ctrs. #6 @ 6 1/2" Ctrs.	0.795	3"x3"-W12.2xW12.2 4"x4"-W16.3xW16.3 6"x6"-W24.5xW24.5	0.4892	3"x3"-D11.4xD11.4 4"x4"-D15.1xD15.1 6"x6"-D22.7xD22.7	0.4543
E	#4 @ 3" Ctrs. #5 @ 5" Ctrs. #6 @ 7" Ctrs.	0.73	#5 @ 3 1/2" Ctrs. #6 @ 4 1/2" Ctrs. #7 @ 6 1/2" Ctrs.	1.095	3"x3"-W16.8xW16.8 4"x4"-W22.5xW22.5 6"x6"-W33.7xW33.7	0.6738	3"x3"-D15.6xD15.6 4"x4"-D20.9xD20.9 6"x6"-D31.3xD31.3	0.6257
F	#5 @ 3 1/2" Ctrs. #6 @ 5" Ctrs. #7 @ 7" Ctrs.	1.06	#6 @ 3" Ctrs. #7 @ 4 1/2" Ctrs. #8 @ 6" Ctrs.	1.59	3"x3"-W24.5xW24.5 4"x4"-W32.6xW32.6 6"x6"-W48.9xW48.9	0.9785	3"x3"-D22.7xD22.7 4"x4"-D30.3xD30.3 6"x6"-D45.4xD45.4	0.9086
Special 2	#5 @ 3" Ctrs. #6 @ 4" Ctrs. #7 @ 5 1/2" Ctrs.	1.24	#7 @ 4" Ctrs. #8 @ 5" Ctrs.	1.86	3"x3"-W28.6xW28.6 4"x4"-W38.2xW38.2 6"x6"-W57.2xW57.2	1.1446	3"x3"-D26.6xD26.6 4"x4"-D35.4xD35.4 6"x6"-D53.1xD53.1	1.0629
G	#6 @ 3 1/2" Ctrs. #7 @ 5" Ctrs.	1.46	#7 @ 3" Ctrs. #8 @ 4" Ctrs.	2.19	3"x3"-W33.7xW33.7 4"x4"-W44.9xW44.9	1.3477	3"x3"-D31.3xD31.3 4"x4"-D41.7xD41.7	1.2514

GENERAL NOTES

- For square or rectangular precast drainage structures, either deformed or smooth welded wire reinforcement in accordance with Specification Section 931:
  - Width and length of the unit is four times the spacing of the cross wires.
  - Wire reinforcement shall be continuous around the box, and lapped in accordance with Option 1 or 3 as shown in the Wall Reinforcing Splice Details.
- Horizontal steel in the walls of rectangular structures shall be lap spliced in accordance with Option 1, 2 or 3 as shown in the Wall Reinforcing Splice Details.
- Welding of splices and laps is permitted. The requirements and restrictions placed on welding in AASHTO M259 shall apply.
- Rebar straight end embedment of peripheral reinforcement may be used in lieu of ACI standard hooks for top and bottom slabs except when hooks are specifically called for in the plans or standard drawings.
- Concrete as specified in ASTM C478, (4000 psi) may be used in lieu of Class II concrete in precast items manufactured in plants which meet the requirements of Section 449 of the Specifications.
- Precast opening for pipe shall be the pipe OD plus 6" (± 2" tolerance). Mortar used to seal the pipe into the opening will be of such a mix that shrinkage will not cause leakage into or out of the structure. Dry-pack mortar may be used in lieu of brick and mortar construction to seal openings less than 2 1/2" wide.
- For pay item purposes, the height used to determine if a drainage structure is greater than 10 feet shall be computed using:
  - the elevation of the top of the manhole lid,
  - the grate elevation or the theoretical gutter grade elevation of an inlet, or
  - the outside top elevation of a junction box less the flow line elevation of the lowest pipe or to top of sump floor.

NOTES FOR PRECAST OPTIONS & EQUIVALENT REINFORCEMENT SUBSTITUTION

- Details for optional precast inlet construction up to depths of 15' are shown on the inlet indexes.
- When precast units are used in conjunction with Alt. "B" Structure Bottoms, Index No. 200, the interior dimensions of an Alt. "B" Bottom can be adjusted to reflect these inlet interior dimensions.
- Concrete which meets the requirements of ASTM C478 or Class IV must be used for precast structures constructed with 6" wall or slab thickness.
- Reinforcement can be either deformed bar reinforcement or welded wire reinforcement. Bar reinforcement other than 60 ksi may be used, however only two grades are recognized; Grade 40 and Grade 60. Smooth welded wire reinforcement, will be recognized as having a design strength of 65 ksi and deformed welded wire reinforcement will be recognized as having a design strength of 70 ksi. The area of reinforcement required may be adjusted in accordance with the Equivalent Steel Area Table provided. For bars and spacings not given, the steel area required can be determined by the following equations:

$$\text{Grade 40 Steel Area} = A_{s40} = \frac{60}{40} \times A_{s60}$$

$$\text{Smooth Welded Wire Reinforcement Steel Area} = A_{s65} = \frac{60}{65} \times A_{s60}$$

$$\text{Deformed Welded Wire Reinforcement Steel Area} = A_{s70} = \frac{60}{70} \times A_{s60}$$

continued...

When a reduced area of reinforcement is provided, any maximum bar spacing shown must also be reduced as determined by the following equations, unless otherwise shown:

$$\text{Max. Grade 40 Bar Spacing} = \text{Grade 60 Bar Spacing}$$

$$\text{Max. Smooth Welded Wire Spacing} = \text{Grade 60 Bar Spacing} \times 0.86$$

$$\text{Max. Deformed Welded Wire Spacing} = \text{Grade 60 Bar Spacing} \times 0.74$$

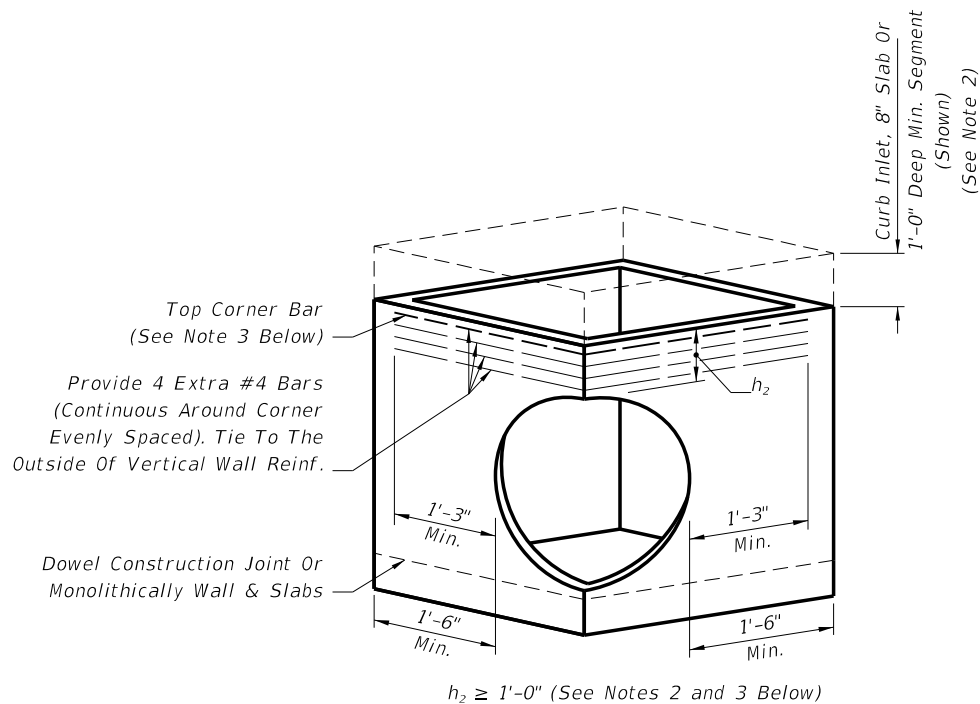
When an increased area of reinforcing is provided, then the maximum bar spacing may be increased by the squared ratio of increased steel area, but not to exceed 12":

$$\text{Max. Bar Spacing Provided} \leq \text{Max. Bar Spacing Required} \times \left( \frac{\text{Steel Area Provided}}{\text{Min. Steel Area Required}} \right)^2$$

In no case will reinforcement with wires smaller than W3.1 or D3.1, or spacings greater than 8" be permitted. Bar reinforcement shall show the minimum yield designation grade mark or either the number 60 or one (1) grade mark line to be acceptable at the higher value. Maximum bar spacing shall not be greater than two (2) times the slab thickness with a maximum spacing of 12" or three (3) times the wall thickness, with a maximum spacing of 18" for vertical bars and 12" for horizontal bars. Wires smaller than W3.1 or D3.1 are permitted in the walls of ASTM C 478 round structure bottoms and round risers.

C:\projects\standards\roadway\0200-s\0201-04.dgn 3:18:27 PM 6/24/2013 sm970re



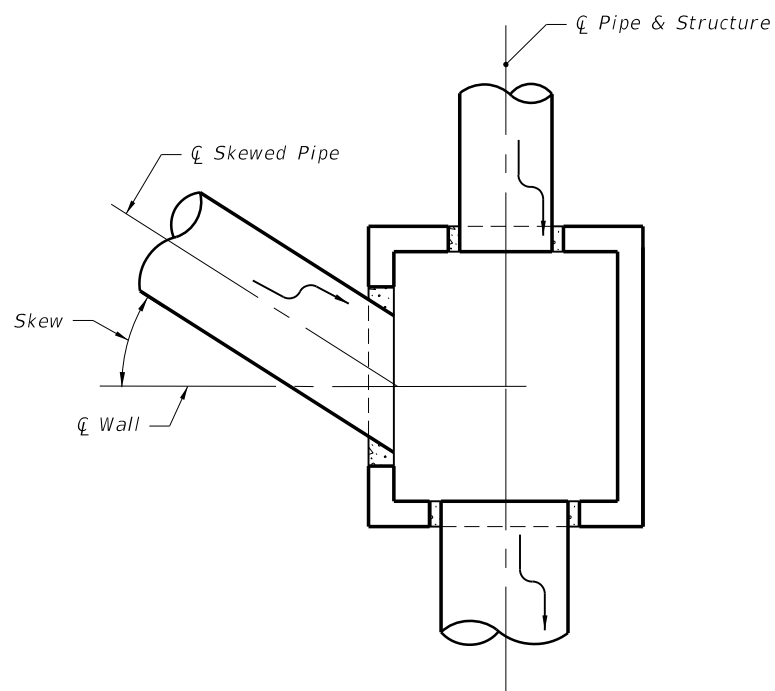


DESIGNER NOTE: Use only when round structures are not practical, engineer of record approval required.

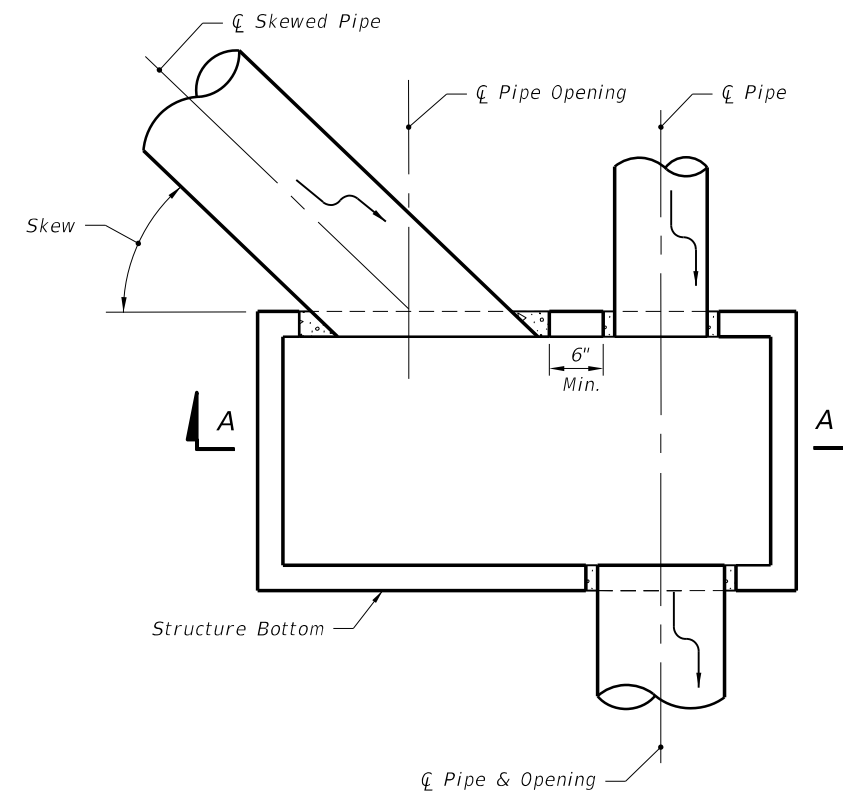
PICTORIAL VIEW

- NOTE: 1. Submit Shop Drawings of corner openings for approval by the Engineer of Record.
2.  $h_2$  may be less than 1'-0" when a minimum 1'-0" deep segment, 8" slab or curb inlet is provided above the corner opening.
3. For inlet segments at finish grade elevation substitute a #8 Bar for the top corner bar when  $1'-0" \leq h_2 < 2'-0"$ .

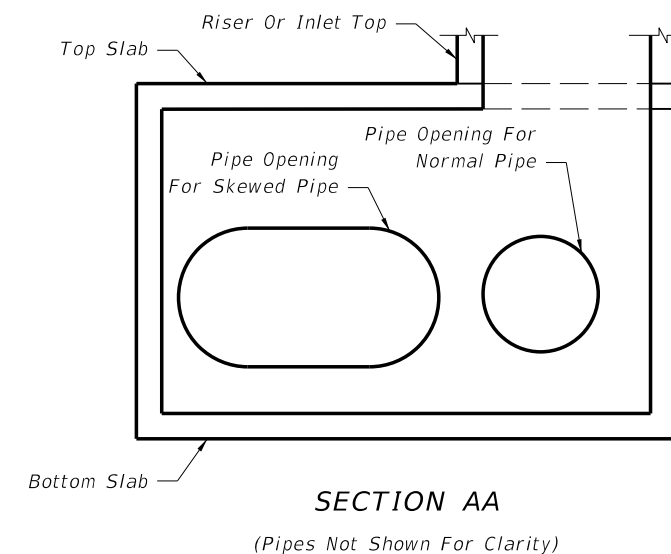
RECTANGULAR SEGMENT WITH PIPE OPENING AT CORNER



PLAN VIEW FOR SKEWS  $\leq 45^\circ$   
(Not Centered)



PLAN VIEW FOR SKEWS  $> 45^\circ$   
(Not Centered)




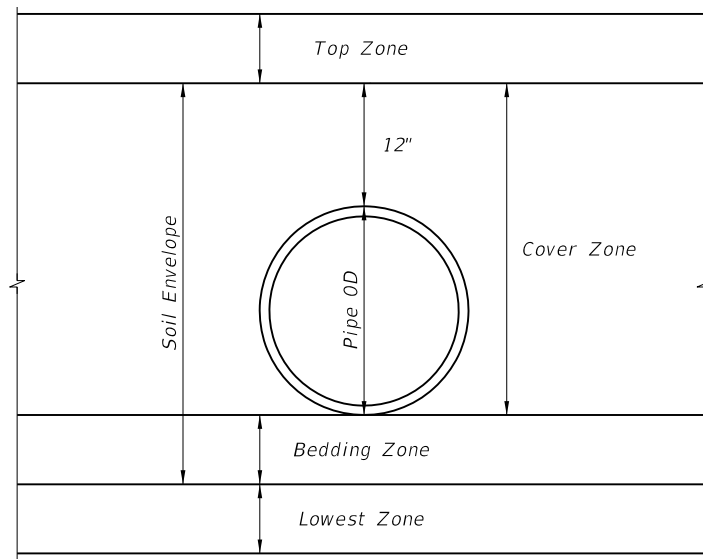
SECTION AA

(Pipes Not Shown For Clarity)

DETAILS FOR SKEWED PIPES IN RECTANGULAR STRUCTURES

C:\projects\standards\roadway\0200-s\0201-05.dgn 3:18:29 PM 6/24/2013 sm970re

LAST REVISION 07/01/12	REVISION	DESCRIPTION:	 <p>FDOT 2014 DESIGN STANDARDS</p>	<p>SUPPLEMENTARY DETAILS FOR MANHOLES &amp; INLETS</p>	<p>INDEX NO. 201</p>	<p>SHEET NO. 5 of 5</p>
---------------------------	----------	--------------	---	--	--------------------------	-----------------------------



**Pipe Backfill**

For Additional Information On Pipe Backfill Requirements See Specification Section 125.

6/24/2013 3:18:31 PM sm970re C:\projects\standards\roadway\0200-s\0205-01.dgn

LAST REVISION	DESCRIPTION:
07/01/13	

REVISION	DESCRIPTION:

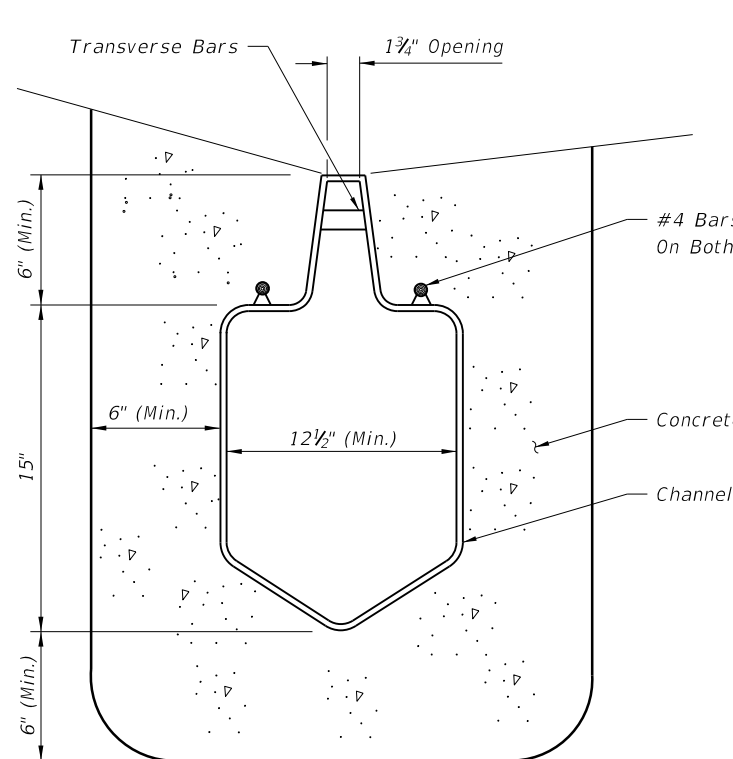


**FDOT 2014  
DESIGN STANDARDS**

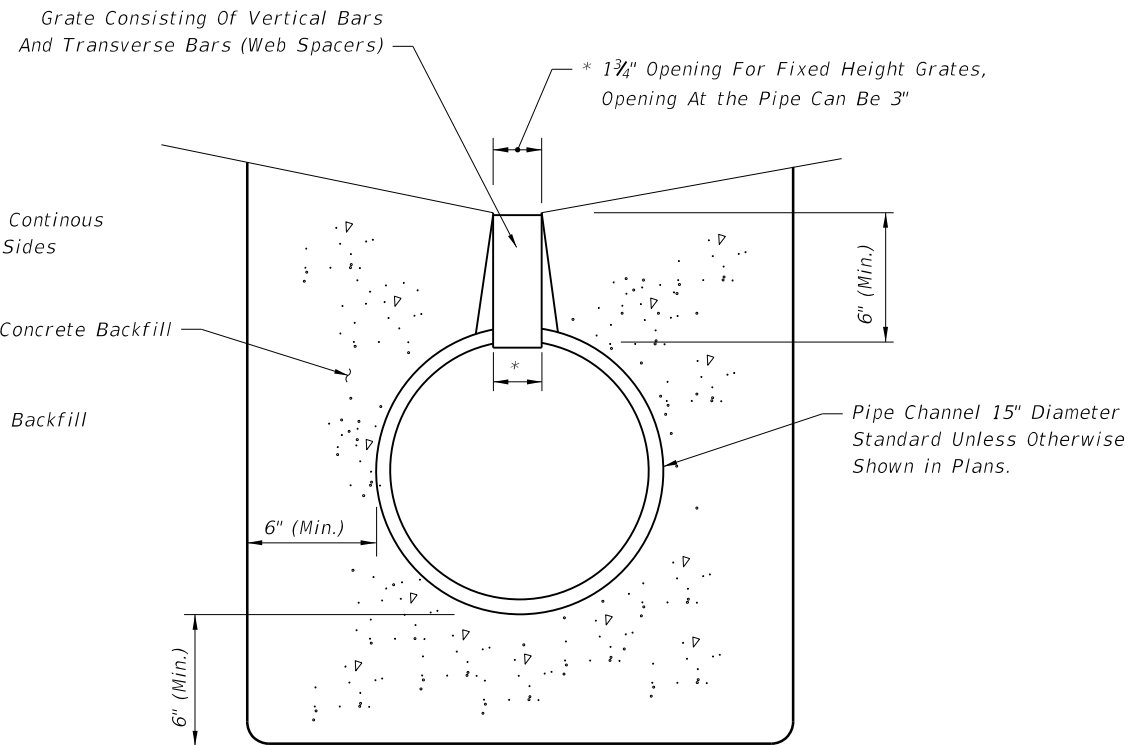
**PIPE BACKFILL**

INDEX NO.  
**205**

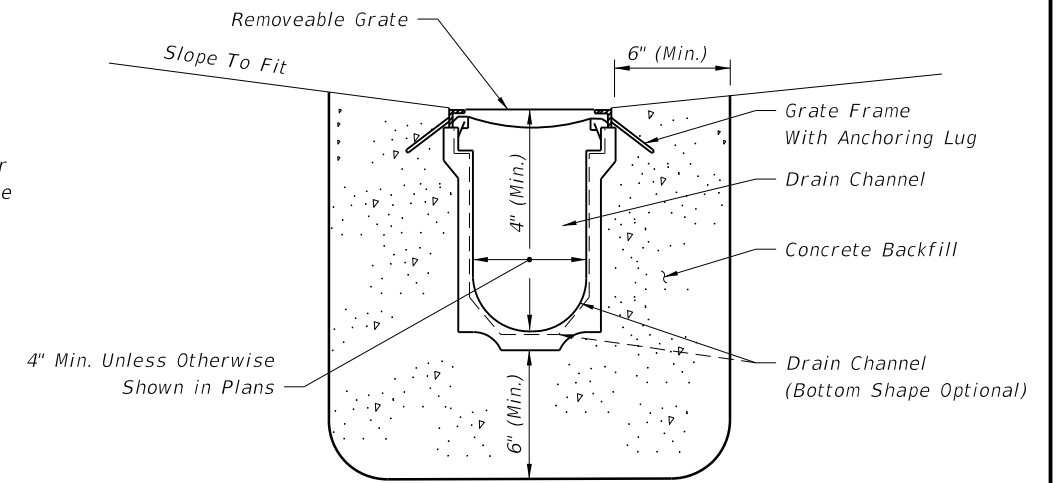
SHEET NO.  
**1 of 1**



PREFORMED POLYETHYLENE ALTERNATE



ROUND ALTERNATE



PREFORMED CHANNEL WITH REMOVABLE GRATE

SEE SHEET 2 FOR TYPICAL LOCATIONS

SEE SHEET 2 FOR TYPICAL LOCATIONS

**TYPE I (NON-REMOVABLE GRATE)**

**TYPE II**


**GENERAL NOTES**

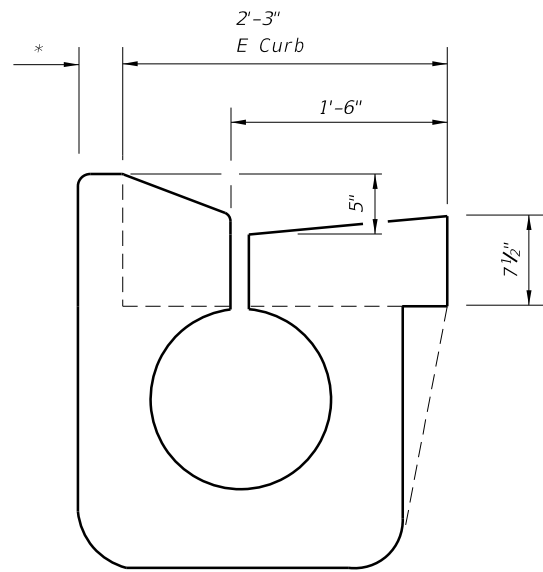
1. Trench drain is intended for use in gutters and driveways as shown on the typical locations on Sheet 2. Type I is intended for use in Type E, F and drop curbing, and adjacent to traffic separators and standard barrier walls. The width of the channel grate for Type I Trench Drain shall be 1 3/4" throughout varying the depth of the channel neck. Type II may also be used in those locations if an independent laboratory certifies that the grating used has an open area equal to at least 0.27 square feet per linear foot. Type II is primarily intended for use in valley gutter across driveway openings and drop curbing; Type I may also be used in those locations. The width of the channel grate for Type II Trench Drain shall be the same as the width of the channel. The linear slope or gradient for Type II may be manufactured by varying the depth of the channel. Trench Drain shall not be placed in pedestrian paths unless ADA compliant grates are used.
2. Unless shown in the plans, outlet pipes and preformed channel inverts shall be sloped 0.6% or steeper toward the outlet regardless of the surface slope.
3. Trench drain may be stubbed directly into drainage structures, or outlet pipes may be used to connect trench drain to drainage structures.
4. A cleanout port compatible with the manufactured system shall be provided for Type I drains at the upstream end and at intervals not to exceed 50 feet. The cleanout port shall provide an opening 6" to 10" wide (transverse to the trench drain length) and 18" to 24" long. Where cleanouts are placed adjacent to raised curb or separator, the curb or separator shall be formed around the cleanout. The cleanout shall have a removable load resistant cover or grate.
5. Trench excavation must allow for a minimum of 6" of concrete to be placed under and alongside the trench drain channel system. Concrete backfill shall meet the requirements of Section 347 of the Standard Specifications. At the end of all units (Type I or II), the concrete backfill shall extend 6" minimum past the end of the drain opening.
6. Transverse bars for Type I Trench Drain shall be spaced 4" to 6" on center.
7. Whenever the work disturbs existing conditions or work already completed, restore the same to its original condition in every detail. All such repair and replacement shall meet the approval of the Engineer.
8. Payment to be made under the contract unit price for Trench Drain, LF.

**DESIGN NOTES**

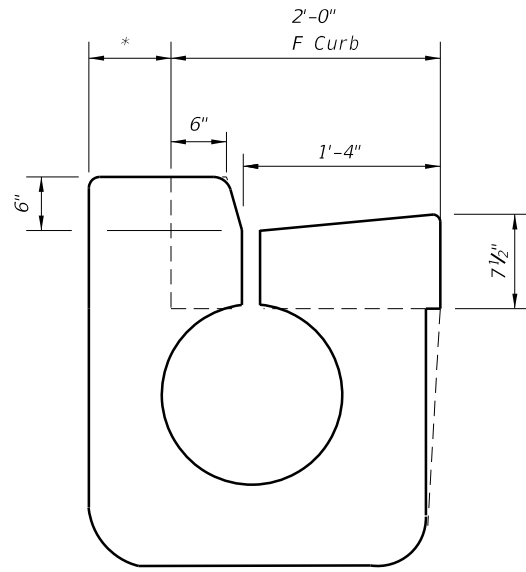
1. Where placed adjacent to reinforced concrete barrier wall or median barrier wall, the designer shall detail in the plans the position of the drain relative to the barrier wall to avoid conflicts with the barrier wall footing. See Index No. 410.
2. The designer shall identify the following in the plans:
  - (a) The type of drain at each location.
  - (b) The begin and end locations of the Trench Drain.
  - (c) The location of the outlet pipe if the Trench Drain is not stubbed directly into a drainage structure.
  - (d) The design flow (Q) for the Trench Drain must be shown on the plans.
3. Capture efficiency for Type I Trench Drain may be computed using the equations for slotted drain in FHWA's HEC 12 & 22. Grate Type I and Type II must have at least 30% open area.
4. Round pipe alternate is available in 12, 18, 24 and 36 inch.
5. Type II Preformed Channel with integral anchoring lugs are applicable.

C:\projects\standards\roadway\02200-s\02206-01.dgn 3:18:33 PM smg70re 6/24/2013

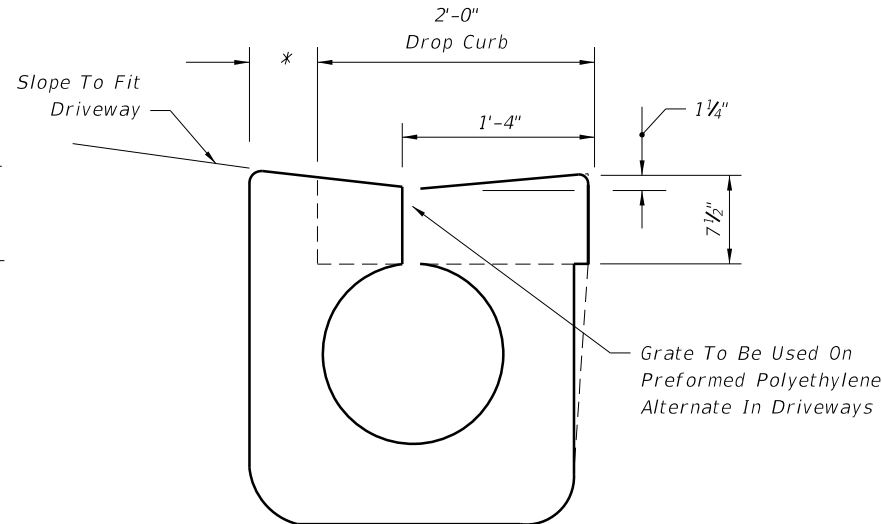
LAST REVISION 07/01/10	REVISION	DESCRIPTION:	 <p><b>FDOT 2014 DESIGN STANDARDS</b></p>	<b>TRENCH DRAIN</b>	INDEX NO. <b>206</b>	SHEET NO. <b>1 of 2</b>
---------------------------	----------	--------------	--	---------------------	-------------------------	----------------------------



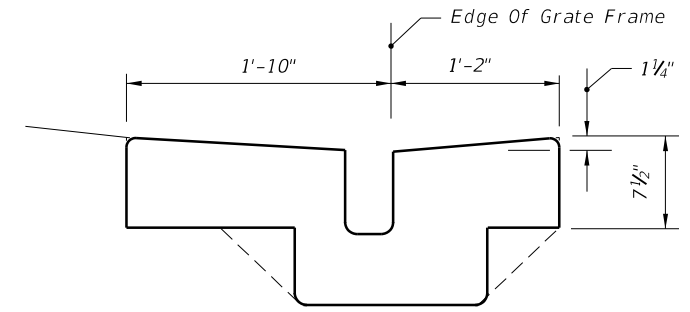
WITHIN TYPE E CURB



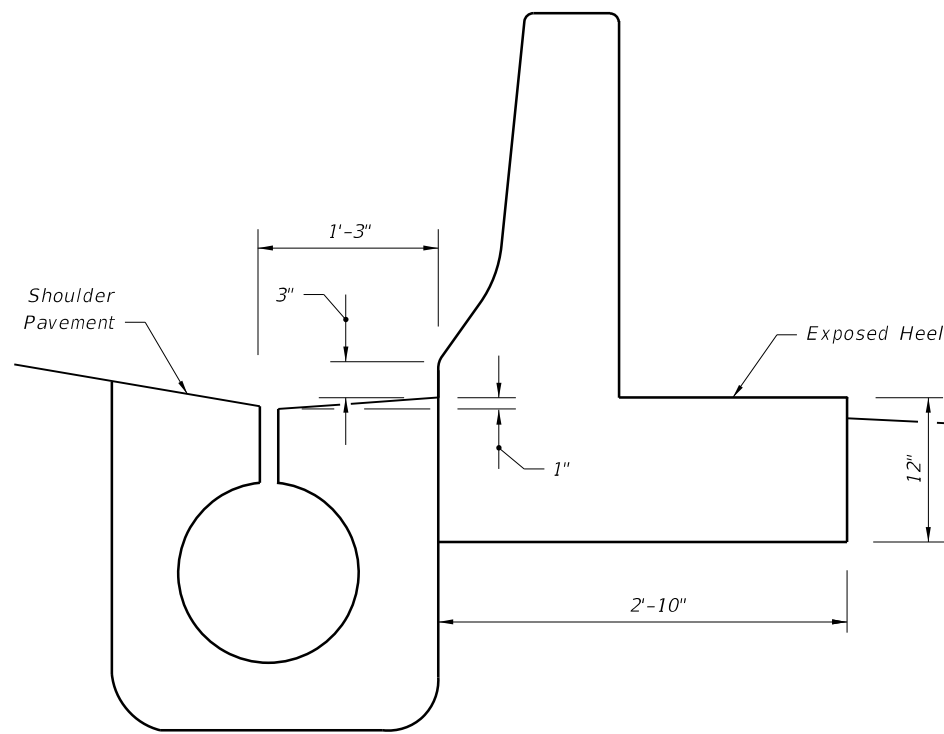
WITHIN TYPE F CURB



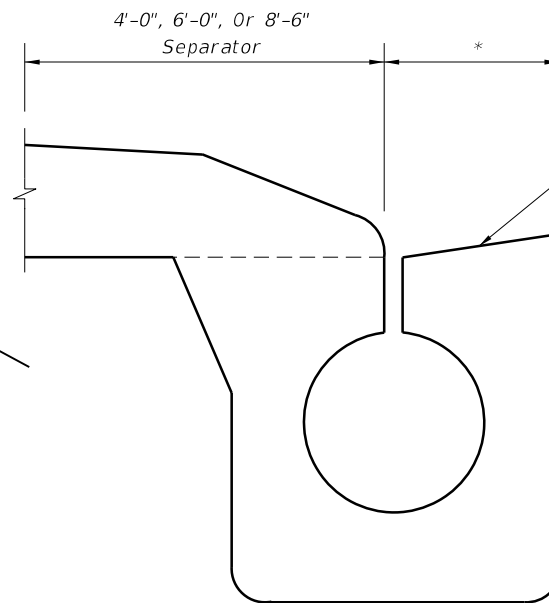
WITHIN DROP CURB



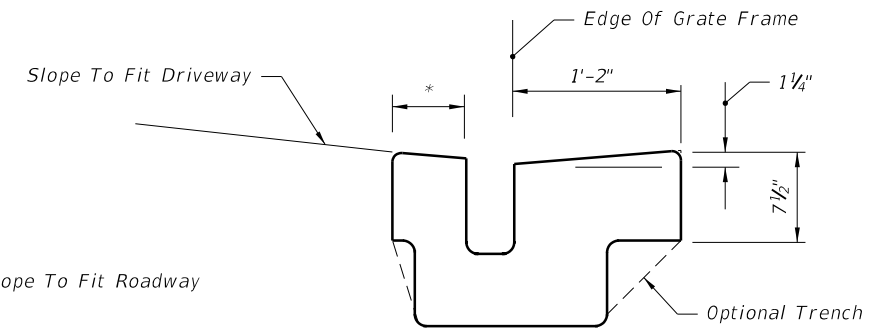
WITHIN VALLEY GUTTER



ADJACENT TO SHOULDER BARRIER WALL



ADJACENT TO TRAFFIC SEPARATOR




WITHIN DROP CURB  
TYPICAL LOCATIONS FOR TYPE II

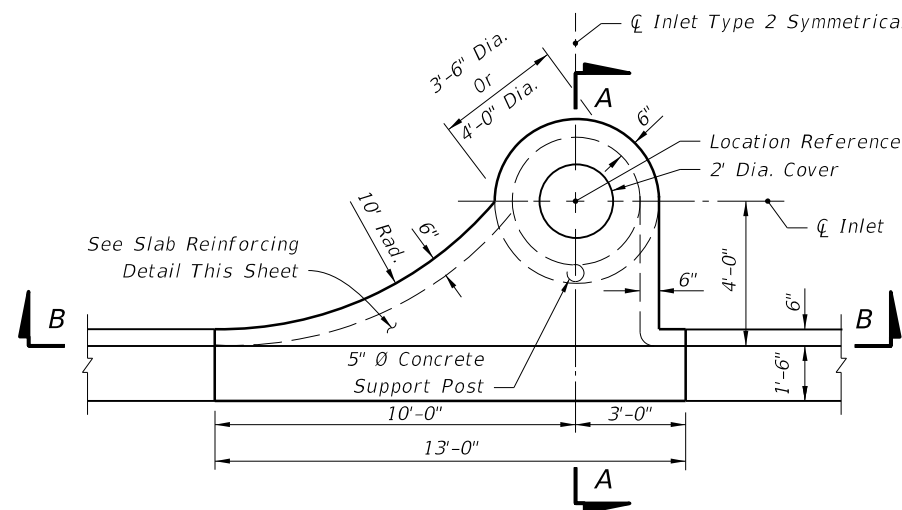
ROUND PIPE ALTERNATE SHOWN, BUT PREFORMED POLYETHYLENE ALTERNATE ACCEPTABLE

TYPICAL LOCATIONS FOR TYPE I

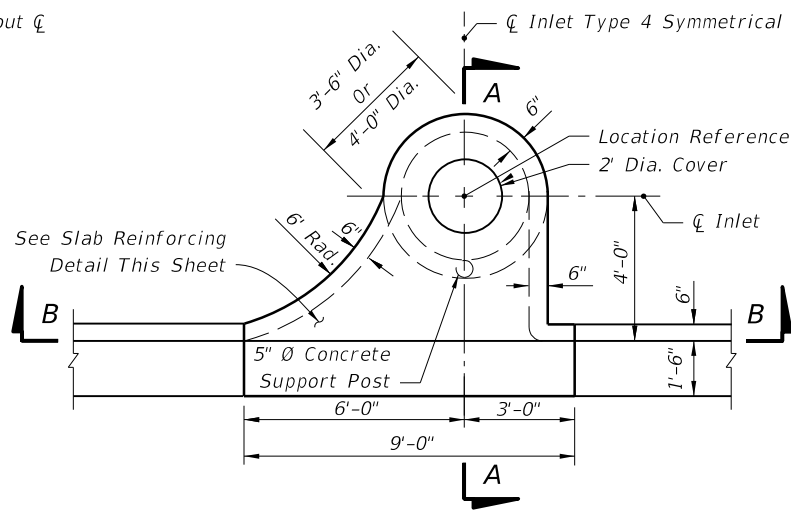
\* As Necessary To Provide 6" Of Concrete  
On This Side Of Drain

C:\projects\standards\roadway\0200-s\02006-02.dgn 3:18:35 PM 6/24/2013 smg70re

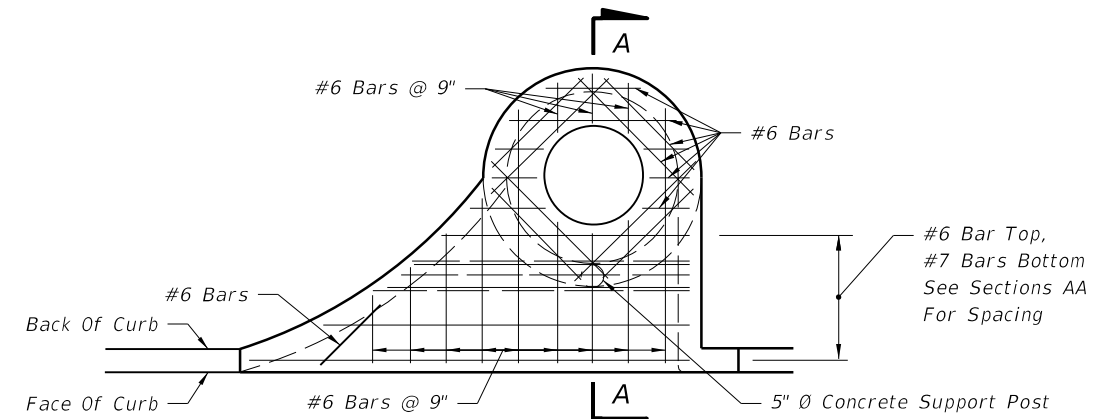
LAST REVISION 07/01/04	REVISION	DESCRIPTION:	 <b>FDOT 2014 DESIGN STANDARDS</b>	<b>TRENCH DRAIN</b>	INDEX NO. <b>206</b>	SHEET NO. <b>2 of 2</b>
---------------------------	----------	--------------	--	---------------------	-------------------------	----------------------------



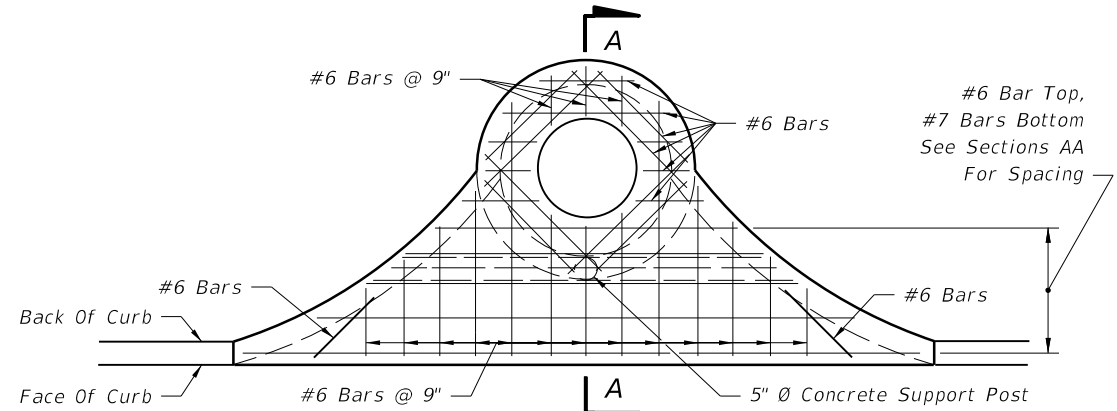
PLAN (INLET TYPE 2 SYMMETRICAL ABOUT  $\bar{C}$ )



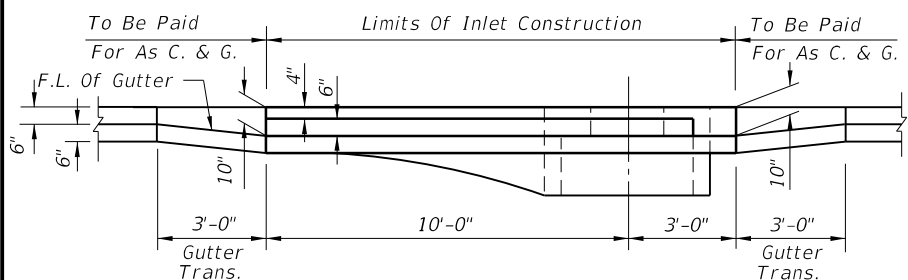
PLAN (INLET TYPE 4 SYMMETRICAL ABOUT  $\bar{C}$ )



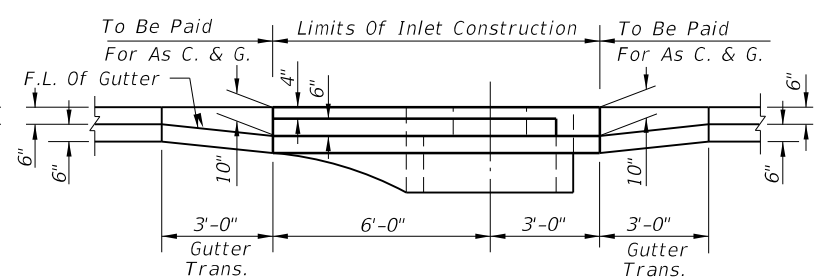
INLETS TYPES 1 AND 3



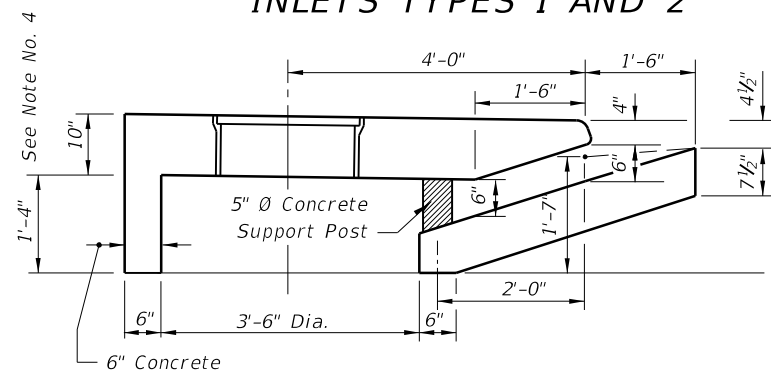
INLETS TYPES 2 AND 4  
SLAB REINFORCING



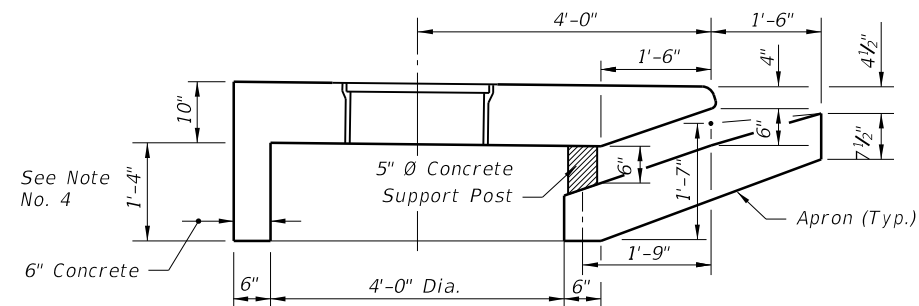
SECTION BB (INLET TYPE 2 SYMMETRICAL ABOUT  $\bar{C}$ )  
INLETS TYPES 1 AND 2



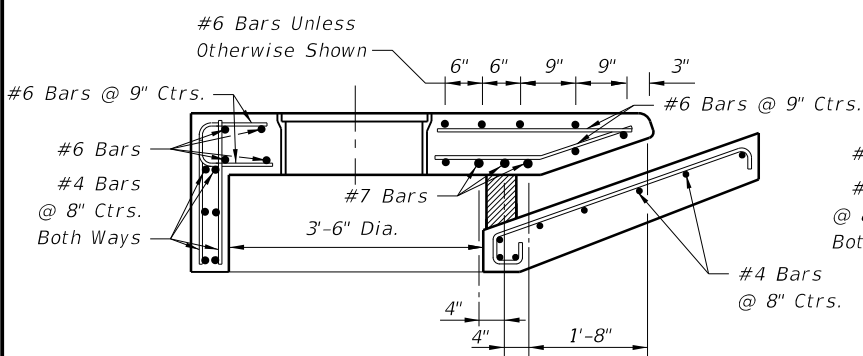
SECTION BB (INLET TYPE 4 SYMMETRICAL ABOUT  $\bar{C}$ )  
INLETS TYPES 3 AND 4



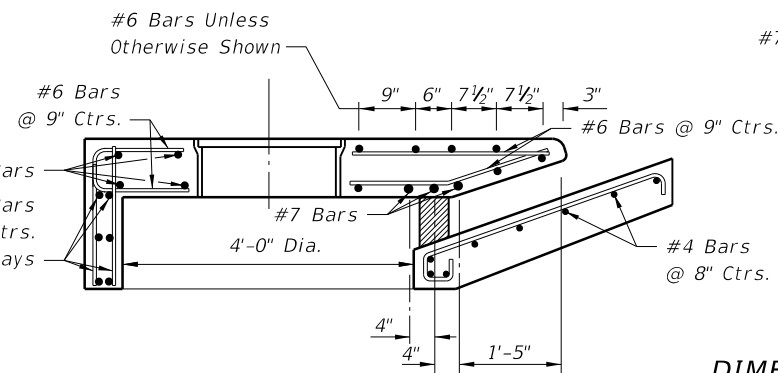
DIMENSIONAL SECTION



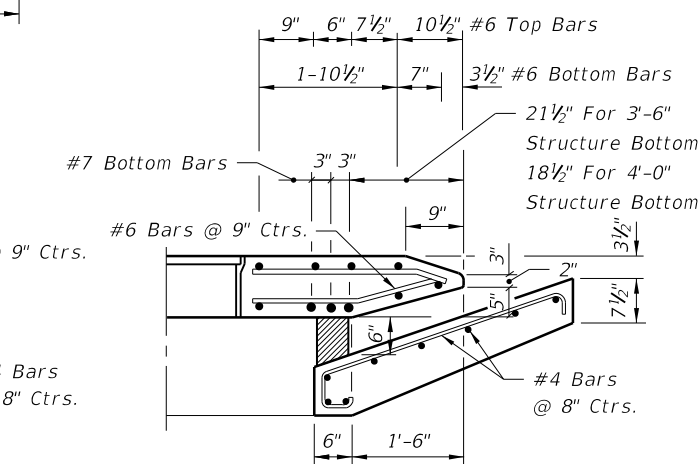
DIMENSIONAL SECTION



REINFORCING SECTION  
3'-6" DIA. STRUCTURE BOTTOM (SECTION AA)



REINFORCING SECTION  
4'-0" DIA. STRUCTURE BOTTOM (SECTION AA)



DIMENSION & REINFORCING HALF SECTION  
TYPES A & E CURB (HALF SECTION AA)  
(TYPE E GUTTER SHOWN)

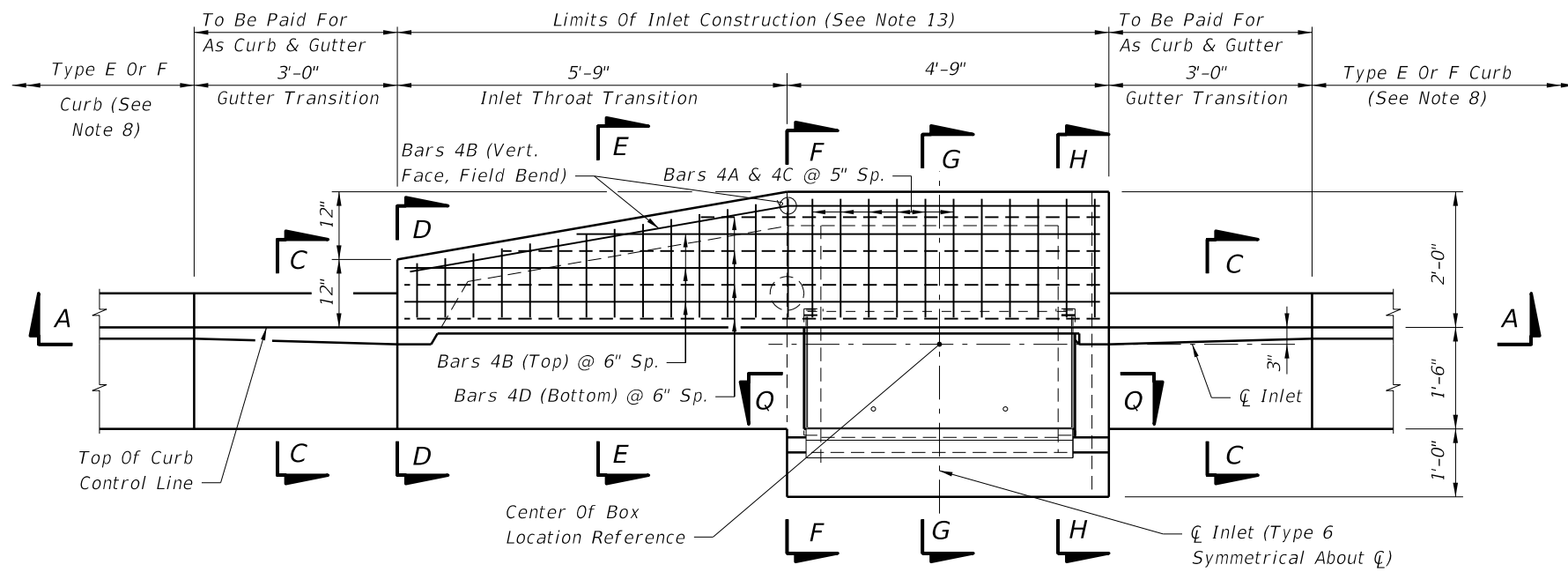
GENERAL NOTES

- The finished grade and slope of the inlet tops are to conform with the finished cross slope and grade of the proposed sidewalk and/or border.
- When inlets are to be constructed on a curve, refer to the plans to determine the radius and, where necessary, modify the inlet details accordingly. Bend steel when necessary.
- All steel in inlet top shall have 1 1/4" minimum cover unless otherwise shown. Inlet tops shall be either cast-in-place or precast concrete.
- For precast units the rear wall and apron may be precast as a separate piece from the top slab. Provide a minimum of 7 ~ #4 dowels in accordance with Index No. 201 "OPTIONAL CONSTRUCTION JOINTS".
- For supplemental details see Index No. 201.
- Only round concrete support post will be acceptable.
- These inlets are designed for use with standard curb and gutter Types E and Type F. Locate inlet outside of pedestrian crosswalks.
- For structure bottoms see Index No. 200.
- Inlet to be paid for under the contract unit price for inlets (Curb) (Type\_), Each.

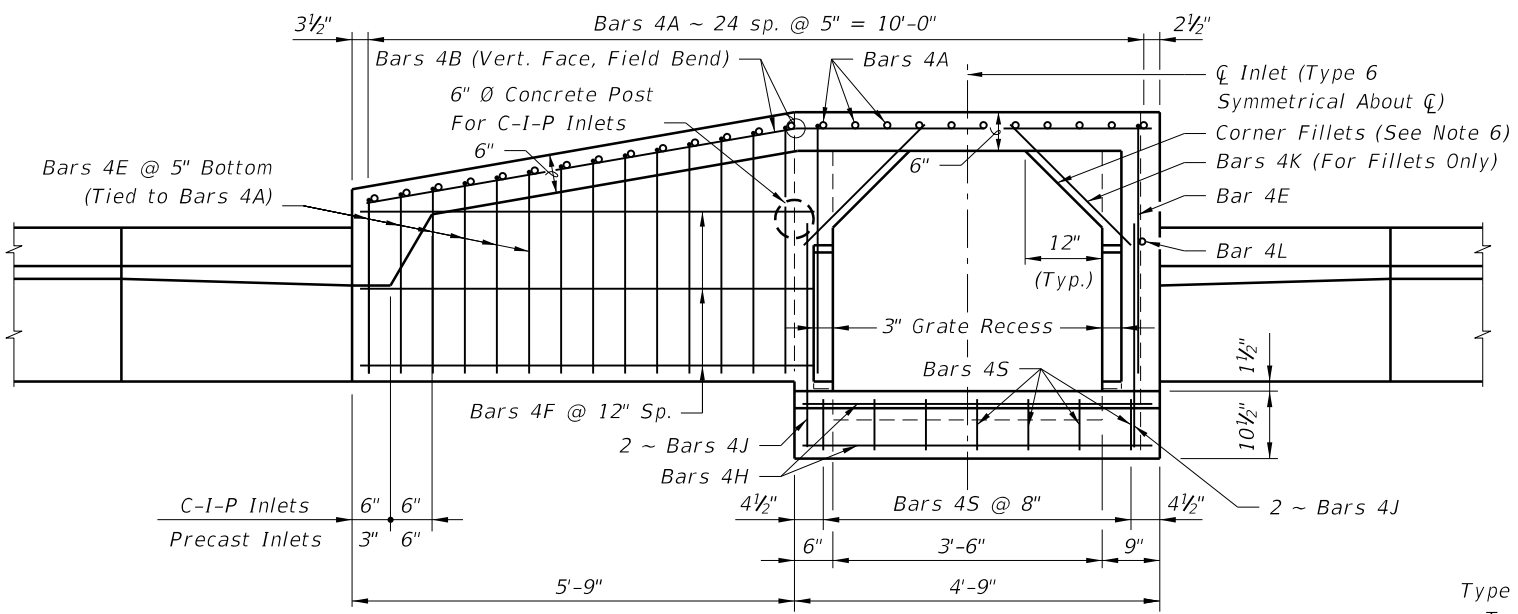
TRANSVERSE SECTIONS FOR INLETS TYPES 1, 2, 3 & 4

6/24/2013 3:18:37 PM sm970re C:\projects\standards\roadway\02200-s\00210-01.dgn

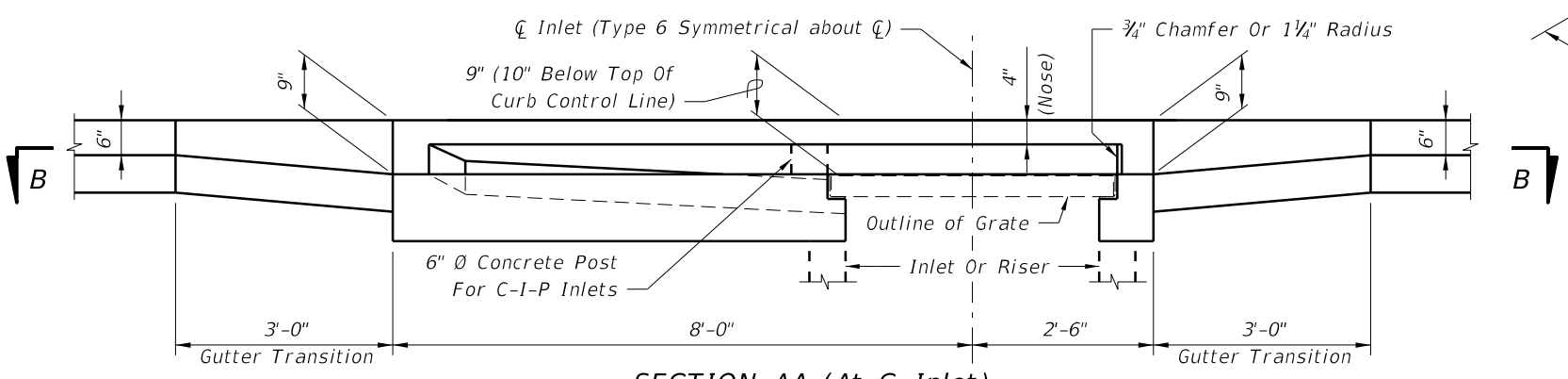
LAST REVISION 07/01/13	DESCRIPTION:	 <p>FDOT 2014 DESIGN STANDARDS</p>	CURB INLET TOPS TYPES 1, 2, 3 AND 4	INDEX NO. 210	SHEET NO. 1 of 1
REVISION					



TOP VIEW

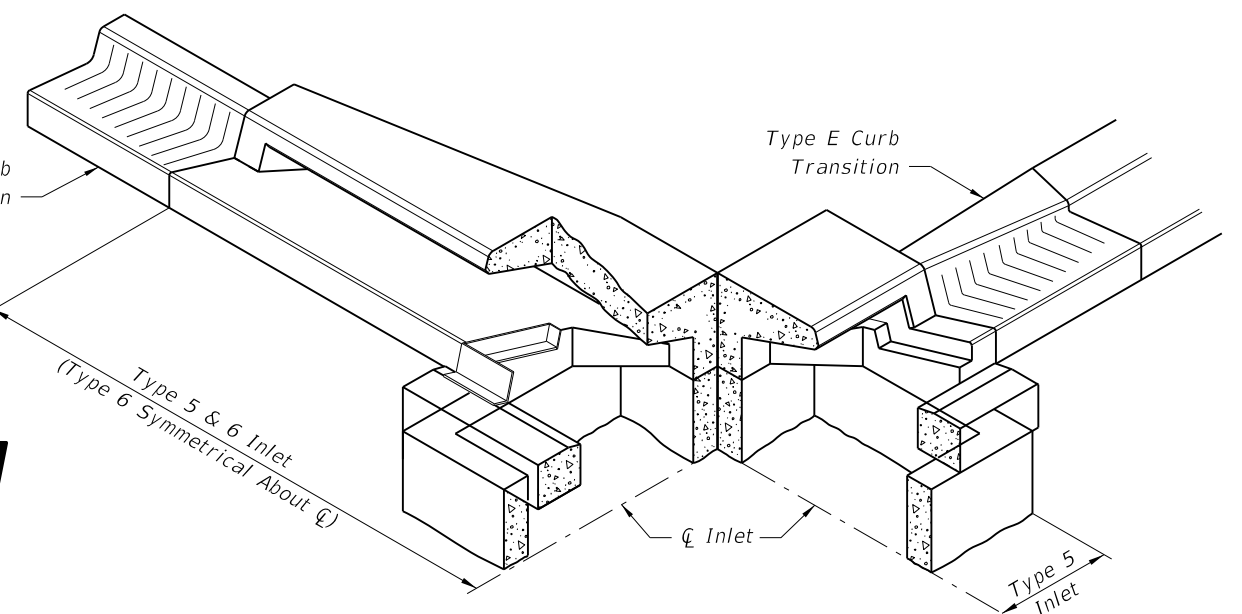


SECTION BB



SECTION AA (At Inlet)

INLET TYPE 5 (Curb Inlet Type 6 Symmetrical With Left Half)




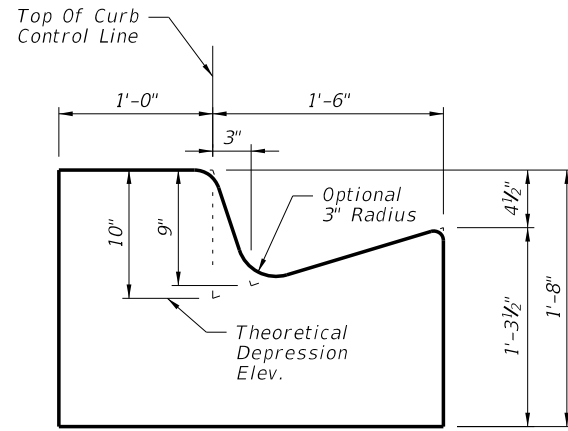
SKETCH SHOWING FRAME SEAT AND THROAT RECESS

GENERAL NOTES

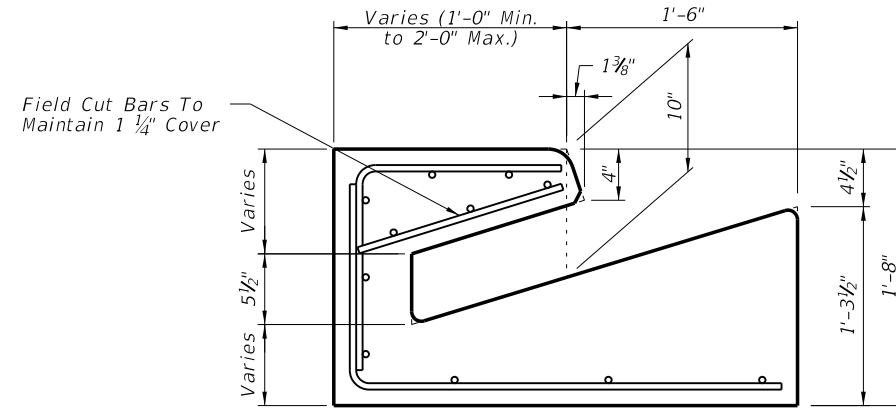
1. The finished grade and slope of the inlet tops are to conform with the finished cross slope and grade of the proposed sidewalk and/or border.
2. For inlets constructed on a curve, refer to the plans to determine the radius, and modify the inlet details accordingly. Bend steel when necessary.
3. All reinforcing steel to be Grade 60 bars with 1 1/4" minimum cover unless otherwise shown, see Sheet 4 for equivalent area Welded Wire Reinforcement details.
4. Inlet tops shall be either cast-in-place or precast concrete. Precast units shall conform to the dimensions shown or in accordance with approved shop drawing's. Request for shop drawing approval shall be directed to the State Drainage Engineer.
5. Concrete meeting the requirements of ASTM C478 (4,000 psi) may be used in lieu of Class II concrete for precast units, manufactured in plants which meet the requirements of Section 449 of the Specifications.
6. Corner fillets are required at inlet opening for precast units or C-I-P units used in conjunction with circular inlet bottoms or skewed rectangular inlet boxes. Finish top of fillets flush with drain throat bottom and match slope.
7. For inlet bottoms see Index No. 200. Inlet tops are to be used with Type P bottoms, or Type J bottoms with 3'-6" square (Type B), 3'-6" or 4' round (Type A) risers or top slab openings.
8. These inlet tops are designed for use with standard curb and gutter Type E and Type F. Locate inlet outside of pedestrian crosswalks. For Type E curb, transition the shape of the curb over the gutter transition length to match the face of the inlet (Type F).
9. See Index No. 201 for supplemental details.
10. All steel used for frame and grate shall meet the requirements of ASTM A36/A36M.
11. Either cast iron grates or steel grates may be used.
12. When Alternate "G" grate is specified in the plans either the cast iron grate and galvanized steel frame or the the galvanized steel grate and frame must be used. Grates are to be grouted in accordance with the grouting detail shown on Sheet 5, in lieu of tack welding.
13. Inlet to be paid for under the contract unit price for Inlets (Curb) (Type \_), Each.

C:\projects\standards\roadway\02200-s\02211.dgn  
 sm970re  
 3:18:39 PM  
 6/24/2013

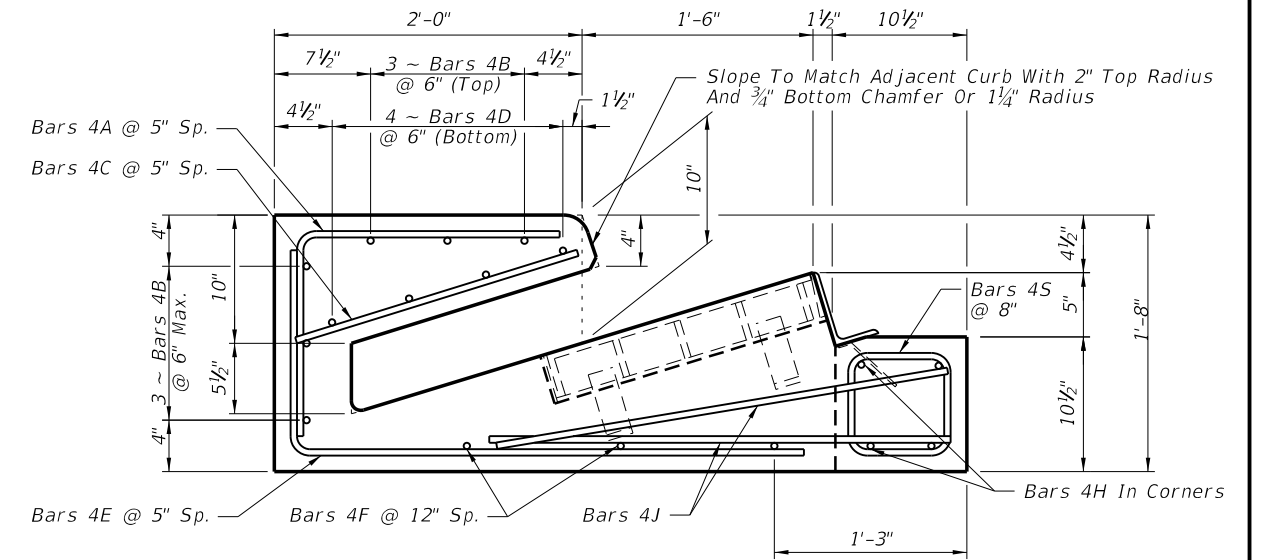
LAST REVISION	REVISION	DESCRIPTION:	 <b>FDOT 2014</b> <b>DESIGN STANDARDS</b>	<b>CURB INLET TOPS TYPES 5 AND 6</b>	INDEX NO. <b>211</b>	SHEET NO. <b>1 of 5</b>
01/01/10						



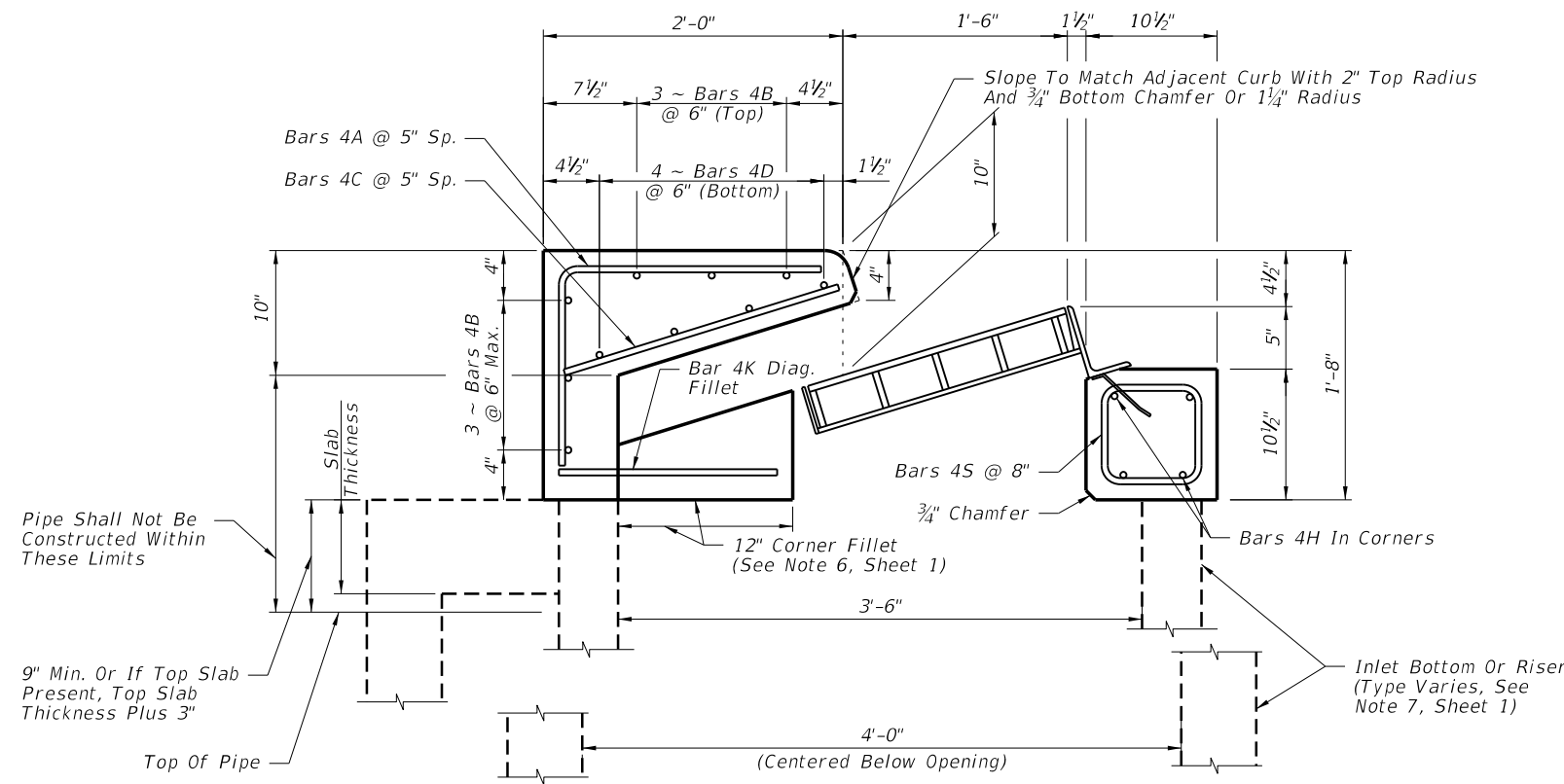
SECTION DD  
(End View Of Inlet)



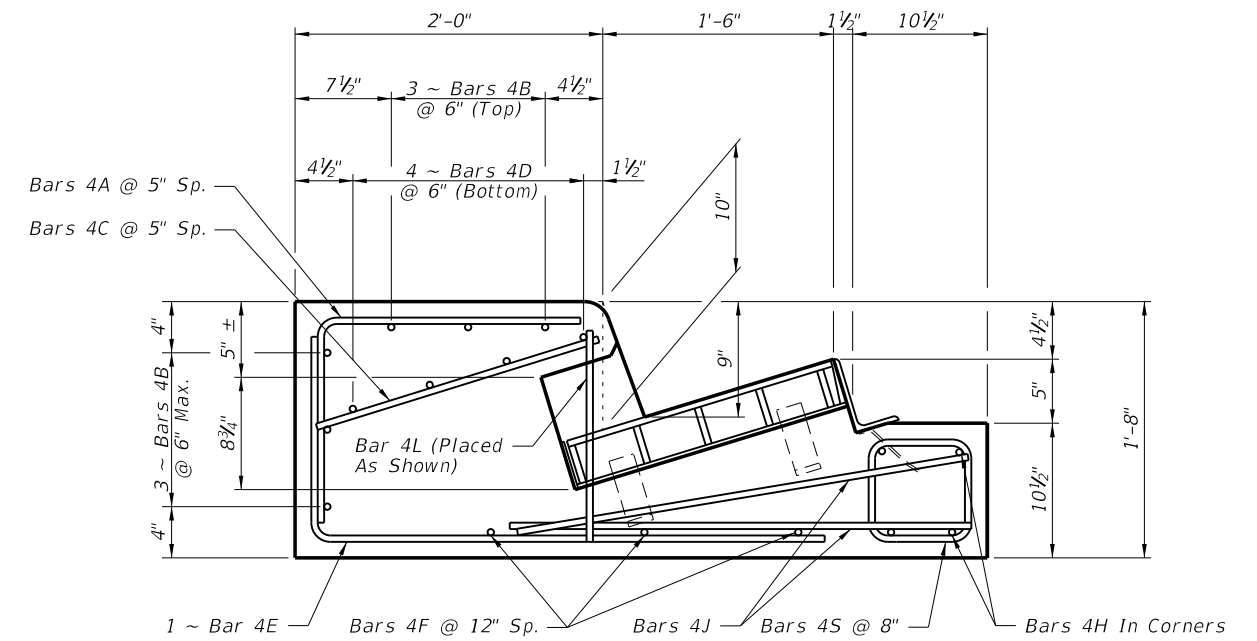
SECTION EE



SECTION FF



SECTION GG




SECTION HH  
(Type 5 Inlet Only)

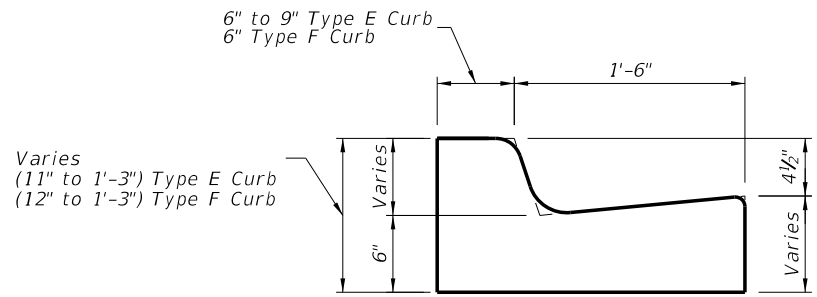
CROSS REFERENCES:  
For General Notes See Sheet 1.  
For Location Of Sections DD  
Thru HH See Sheet 1.

PRECAST DETAILS

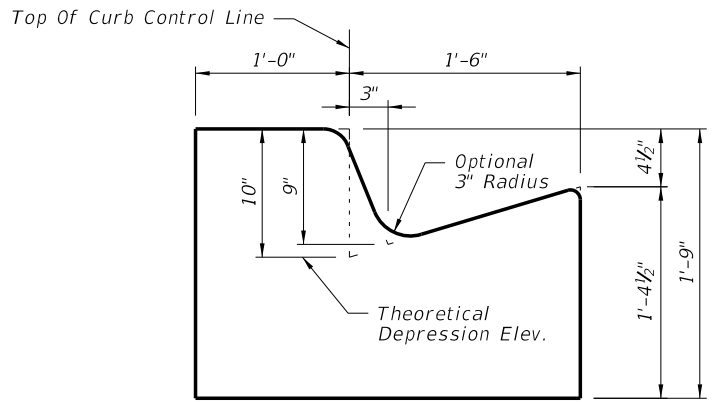
C:\projects\standards\roadway\02200-s\02211.dgn 3:18:39 PM sm970re 6/24/2013

LAST REVISION 07/01/12	REVISION	DESCRIPTION:	 <b>FDOT 2014 DESIGN STANDARDS</b>	<b>CURB INLET TOPS TYPES 5 AND 6</b>	INDEX NO. 211	SHEET NO. 2 of 5

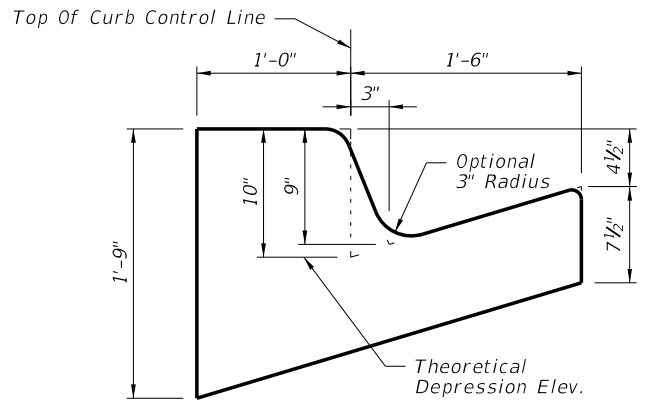
6/24/2013 3:18:40 PM sm970re C:\projects\standards\roadway\02200-s\00211.dgn



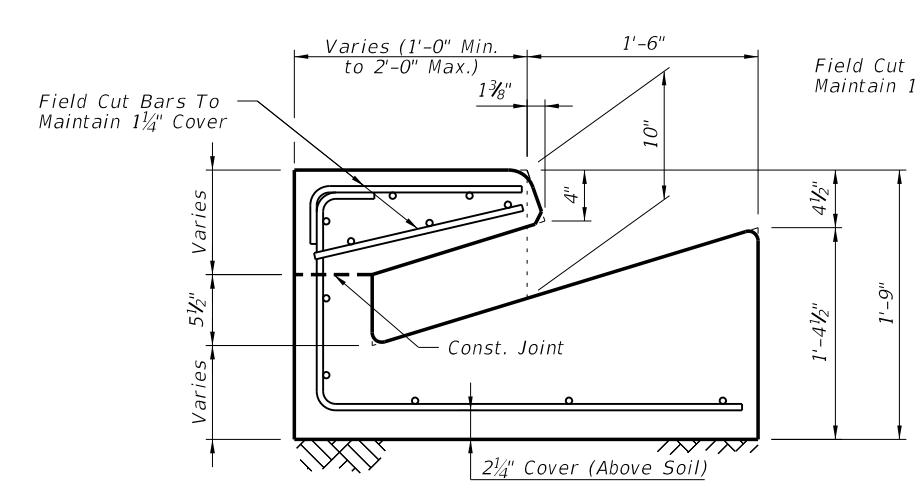
**SECTION CC**  
(Gutter Transition)  
Type F Shown, Type E Similar



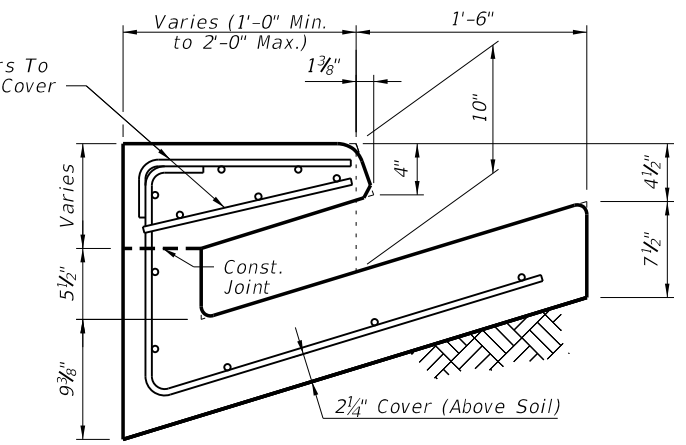
**SECTION DD (OPTION A)**  
(End View Of Inlet)



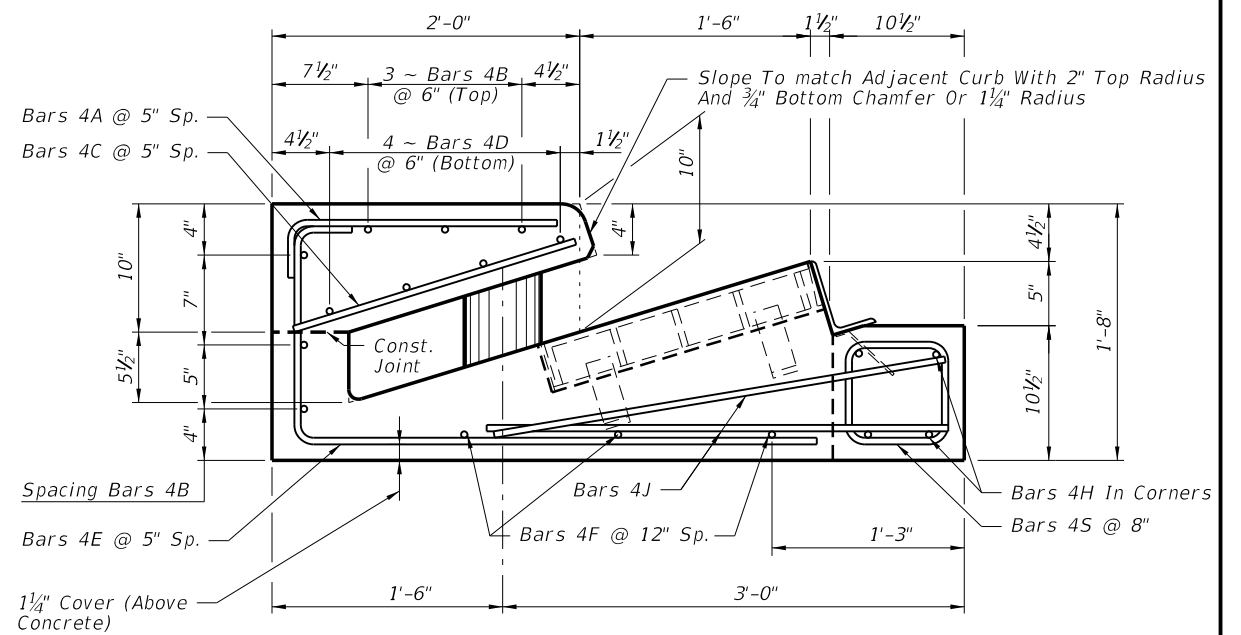
**SECTION DD (OPTION B)**  
(End View Of Inlet)



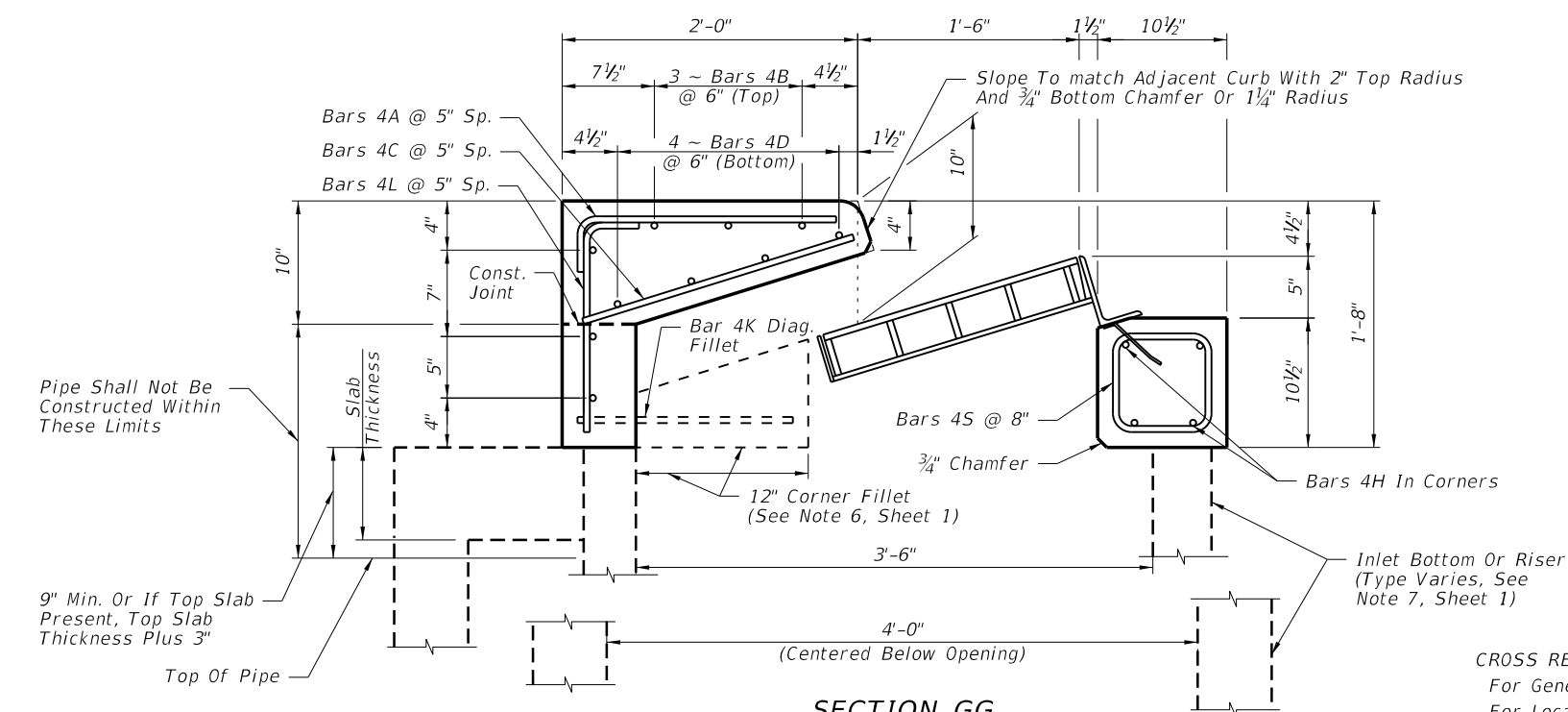
**SECTION EE (OPTION A)**



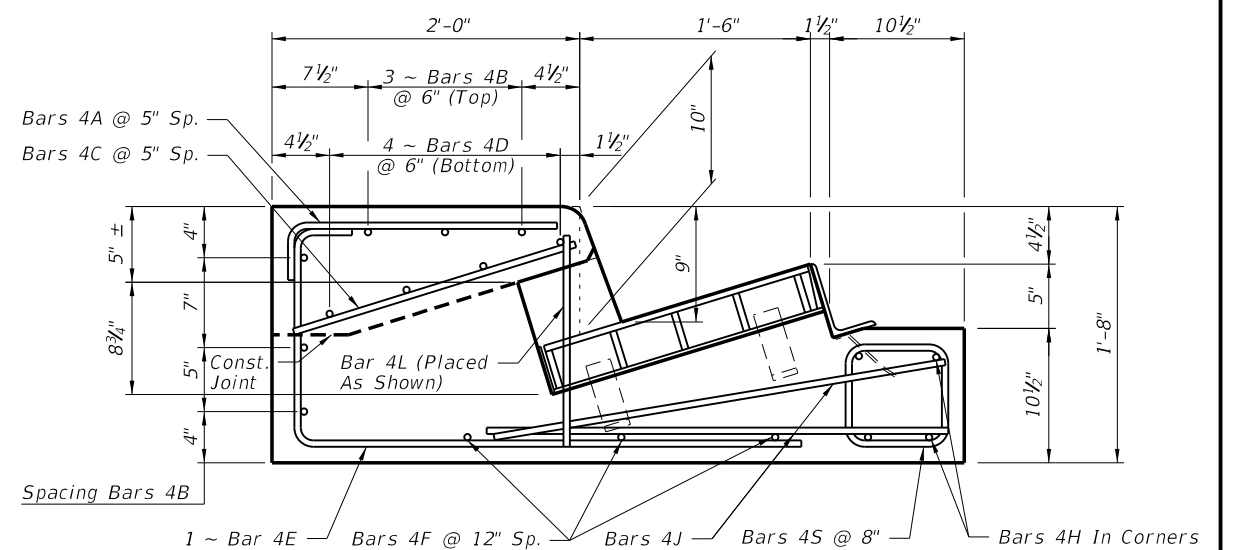
**SECTION EE (OPTION B)**



**SECTION FF**



**SECTION GG**



**SECTION HH (Type 5 Inlet Only)**

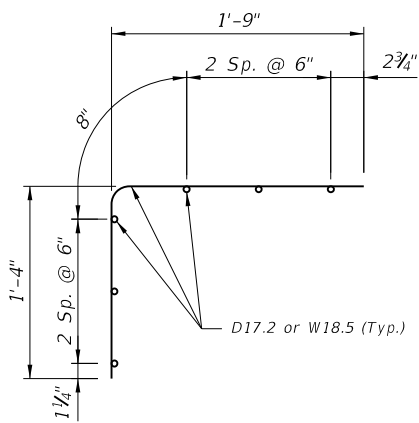
**CROSS REFERENCES:**  
For General Notes See Sheet 1.  
For Location Of Sections CC Thru HH See Sheet 1.

**CAST-IN-PLACE DETAILS**

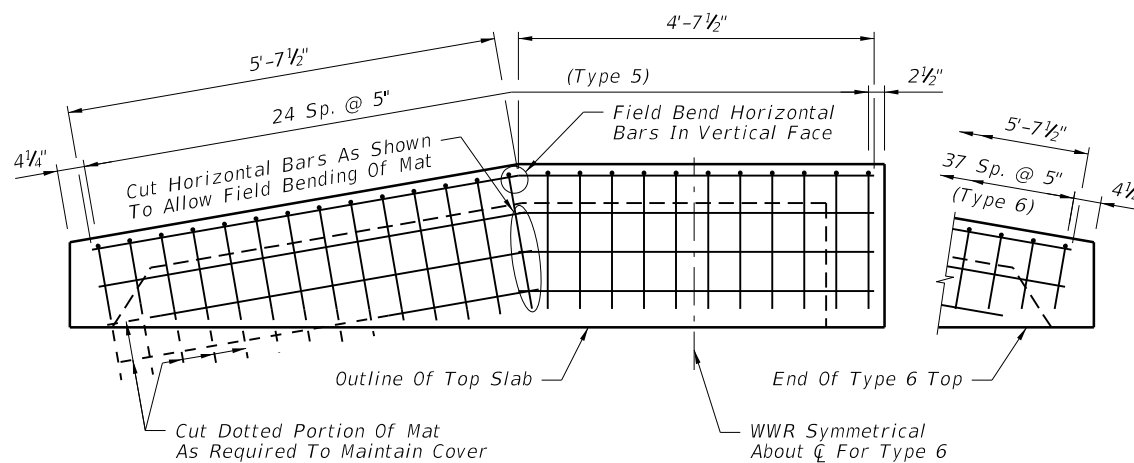
<b>LAST REVISION</b> 07/01/12	<b>REVISION</b>	<b>DESCRIPTION:</b>	 <b>FDOT 2014</b> <b>DESIGN STANDARDS</b>	<b>CURB INLET TOPS TYPES 5 AND 6</b>	<b>INDEX NO.</b> <b>211</b>	<b>SHEET NO.</b> <b>3 of 5</b>
----------------------------------	-----------------	---------------------	---	--------------------------------------	--------------------------------	-----------------------------------



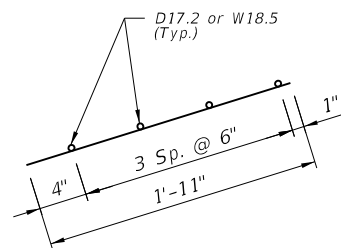
ALTERNATE REINFORCING STEEL DETAILS FOR WELDED WIRE REINFORCEMENT (WWR)



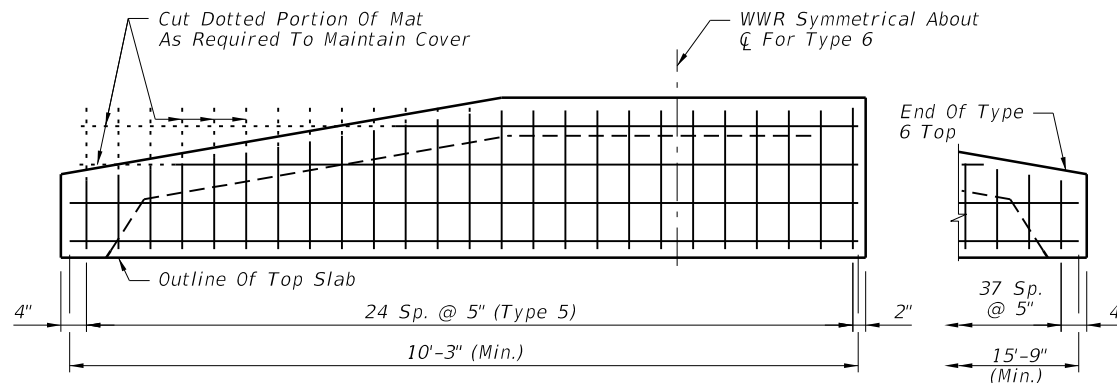
WELDED WIRE REINFORCEMENT  
PIECE NO. 1



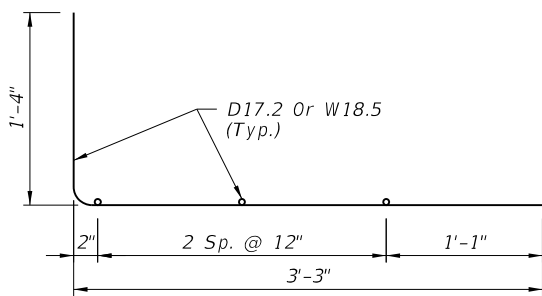
PLACEMENT SCHEMATIC FOR WELDED  
WIRE REINFORCEMENT PIECE NO. 1



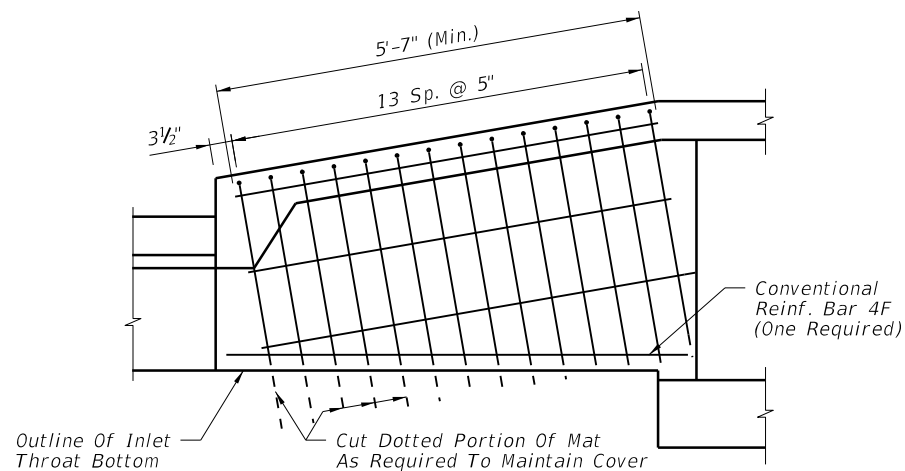
WELDED WIRE REINFORCEMENT  
PIECE NO. 2



PLACEMENT SCHEMATIC FOR WELDED  
WIRE REINFORCEMENT PIECE NO. 2



WELDED WIRE REINFORCEMENT  
PIECE NO. 3

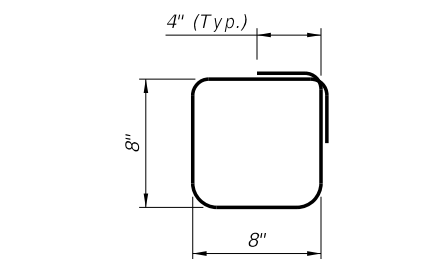


PLACEMENT SCHEMATIC FOR WELDED  
WIRE REINFORCEMENT PIECE NO. 3

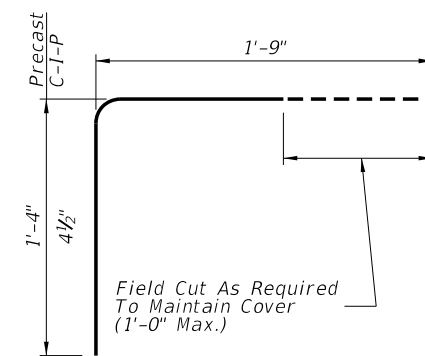
CONVENTIONAL REINFORCING STEEL BENDING DIAGRAMS

BILL OF REINFORCING STEEL

MARK	SIZE	TYPE 5 INLET		TYPE 6 INLET	
		NO.	LENGTH	NO.	LENGTH
A (Precast)	4	25	3'-1"	38	3'-1"
A (C-I-P)	4	25	2'-1 1/2"	38	2'-1 1/2"
B	4	6	10'-3"	6	15'-9"
C	4	25	11" to 1'-11"	38	11" to 1'-11"
D	4	4	10'-3"	4	15'-9"
E	4	16	4'-11 1/2"	30	4'-11 1/2"
F	4	3	6'-0"	6	6'-0"
H	4	4	4'-6"	4	4'-6"
J	4	4	3'-0"	4	3'-0"
K (Fillet)	4	2	2'-3"	2	2'-3"
L (Precast)	4	1	1'-4"	0	---
L (C-I-P)	4	10	1'-4"	9	1'-4"
S	4	7	3'-2"	7	3'-2"



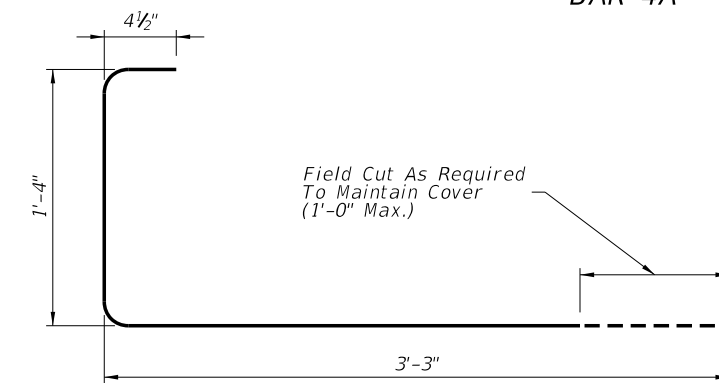
BAR 4S



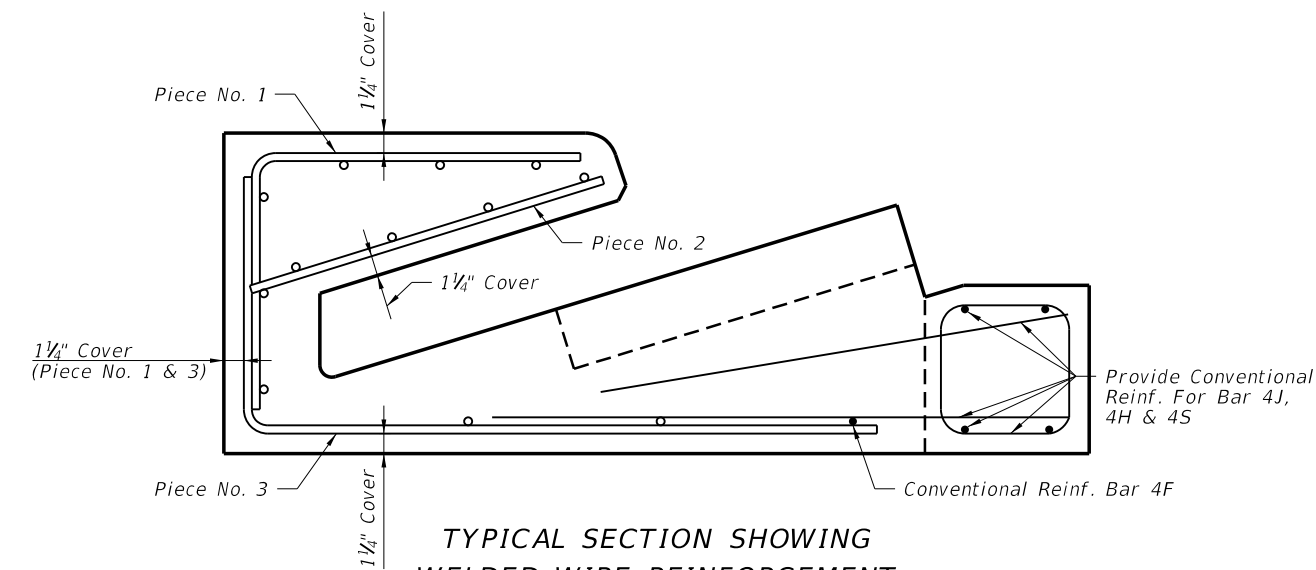
BAR 4A

REINFORCING STEEL NOTES:

1. All bar dimensions in the bending diagrams are out to out.
2. Bars 4A and 4E may be combined into a single bar.
3. Welded Wire Reinforcement consists of Smooth or Deformed wire meeting the requirements of Specification Section 931.



BAR 4E



TYPICAL SECTION SHOWING  
WELDED WIRE REINFORCEMENT

C:\projects\standards\roadway\0200-s\0211.dgn 3:18:41 PM sm970re 6/24/2013

LAST REVISION	DESCRIPTION:
07/01/13	

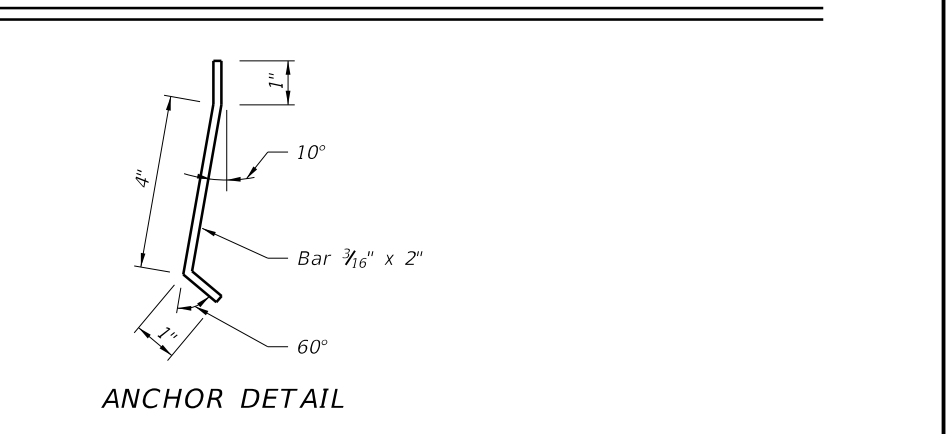
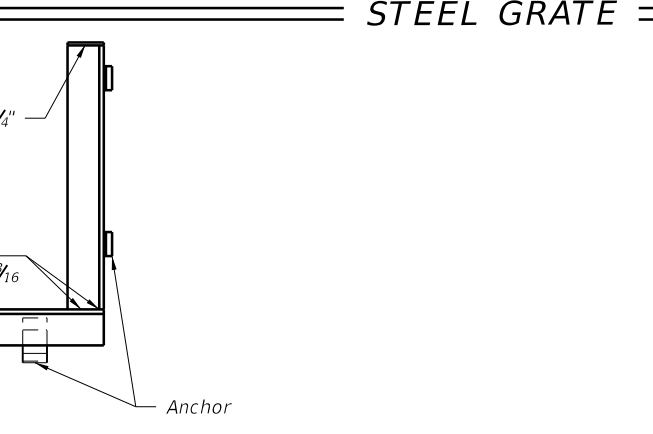
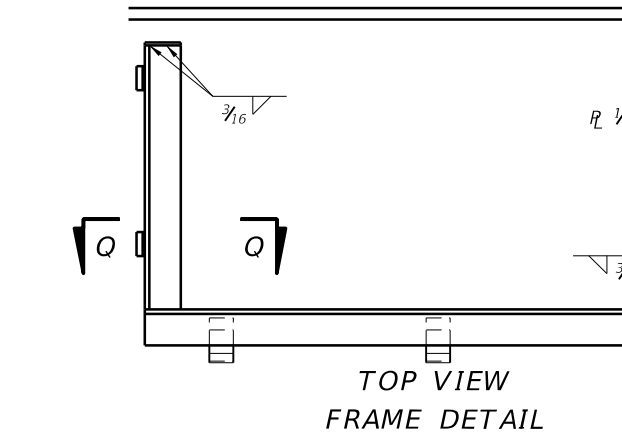
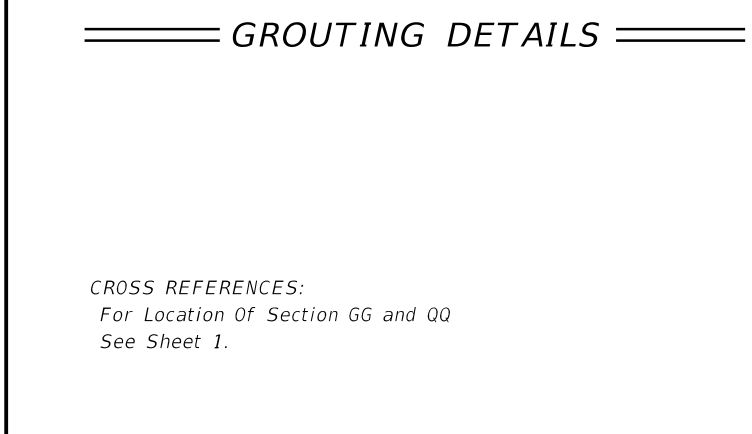
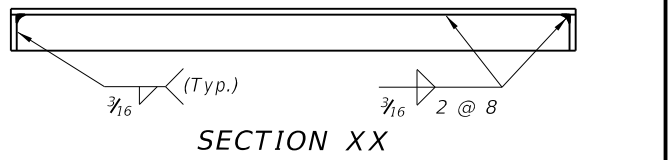
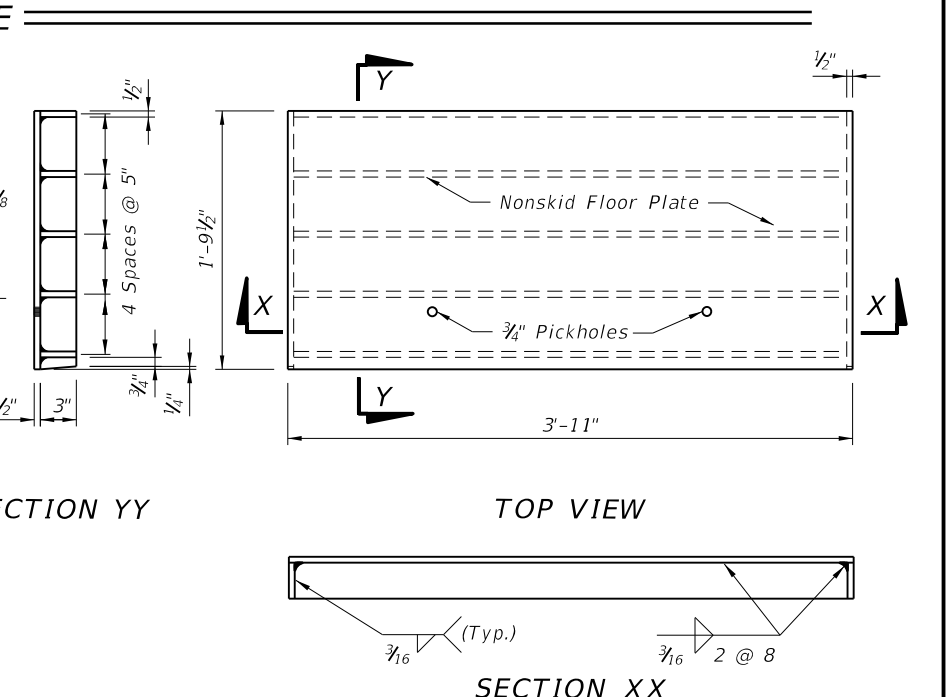
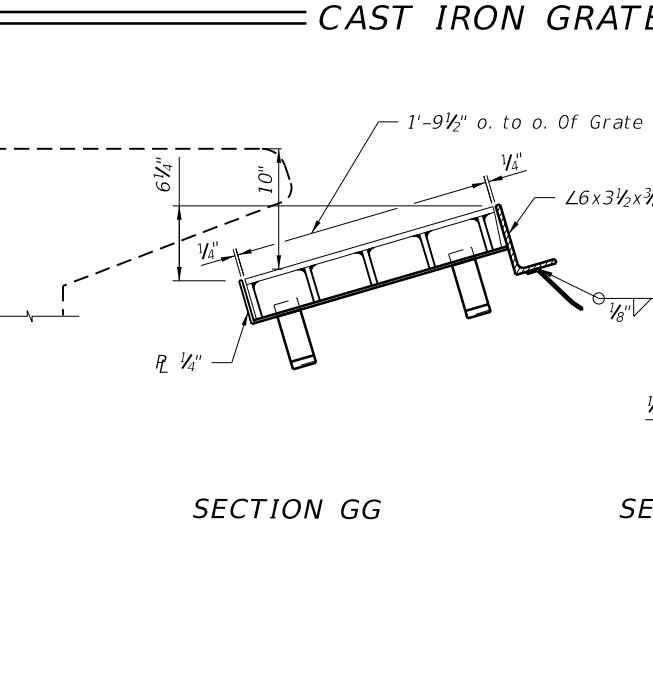
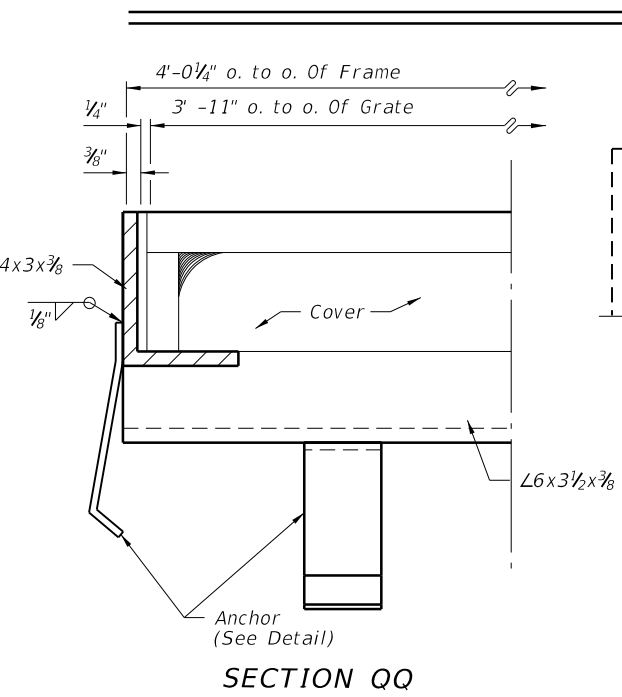
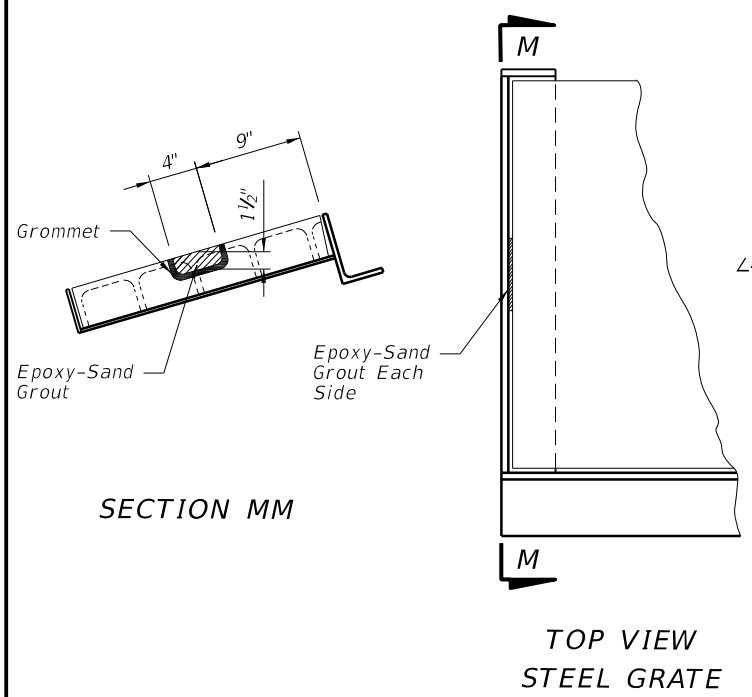
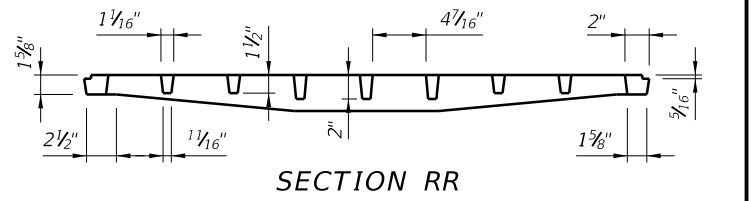
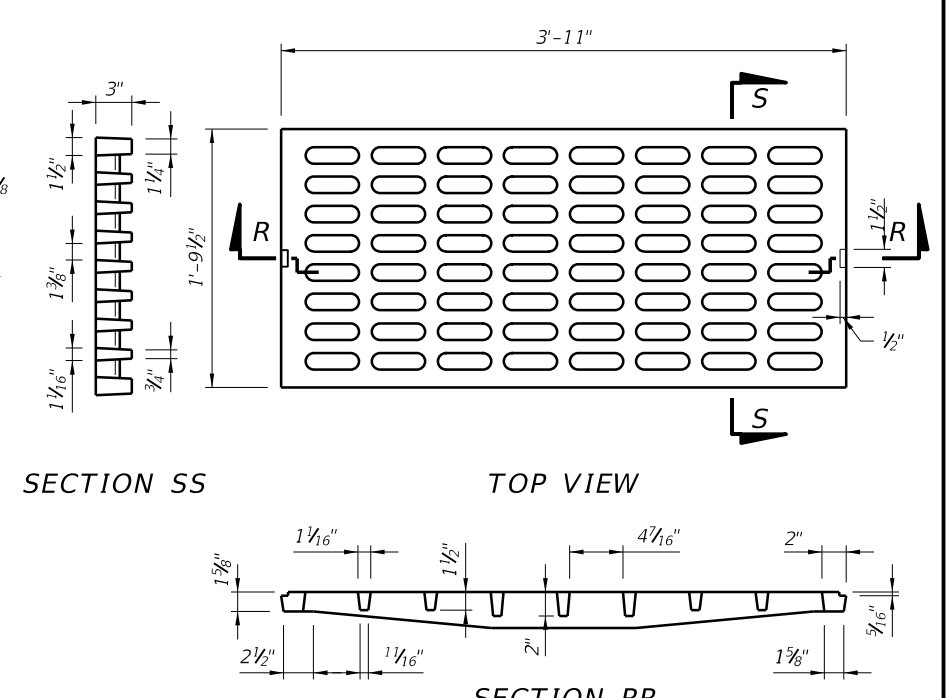
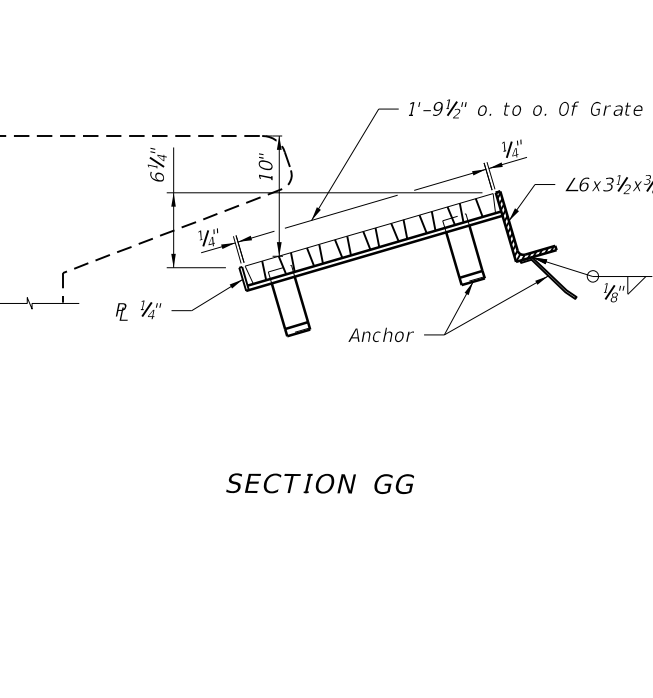
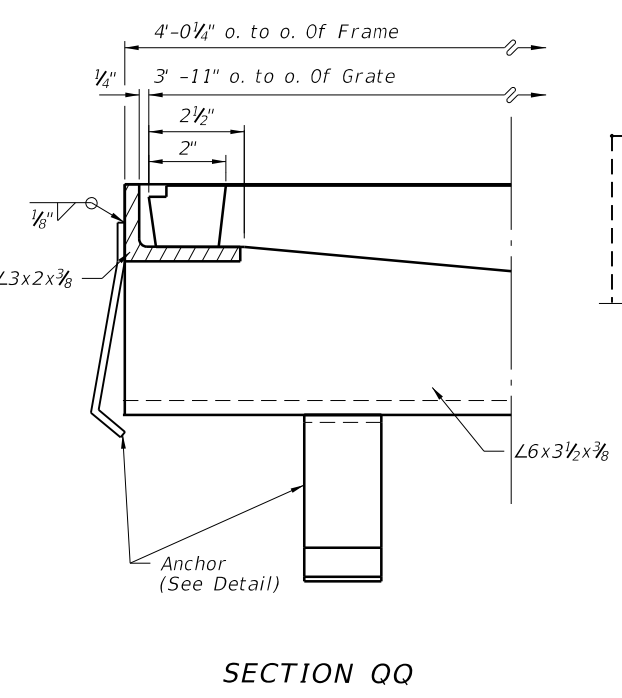
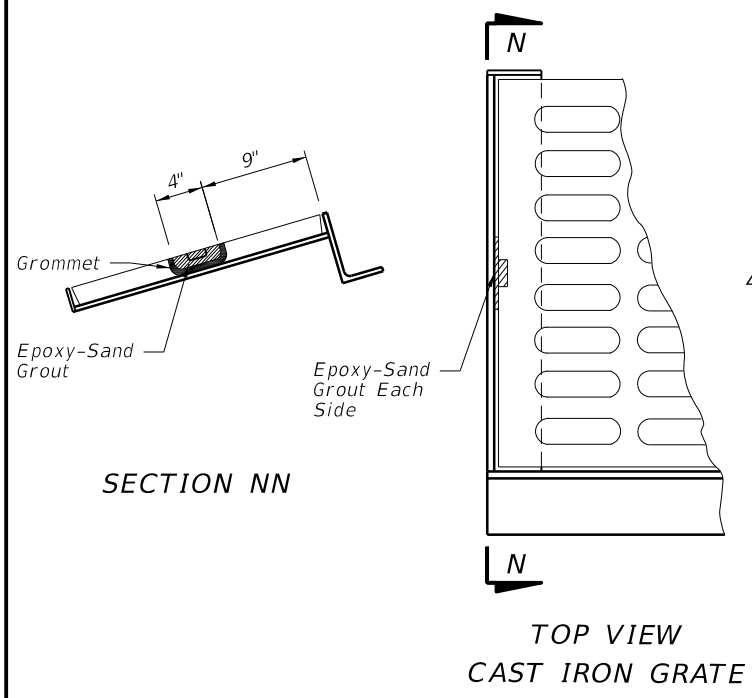


FDOT 2014  
DESIGN STANDARDS

CURB INLET TOPS TYPES 5 AND 6

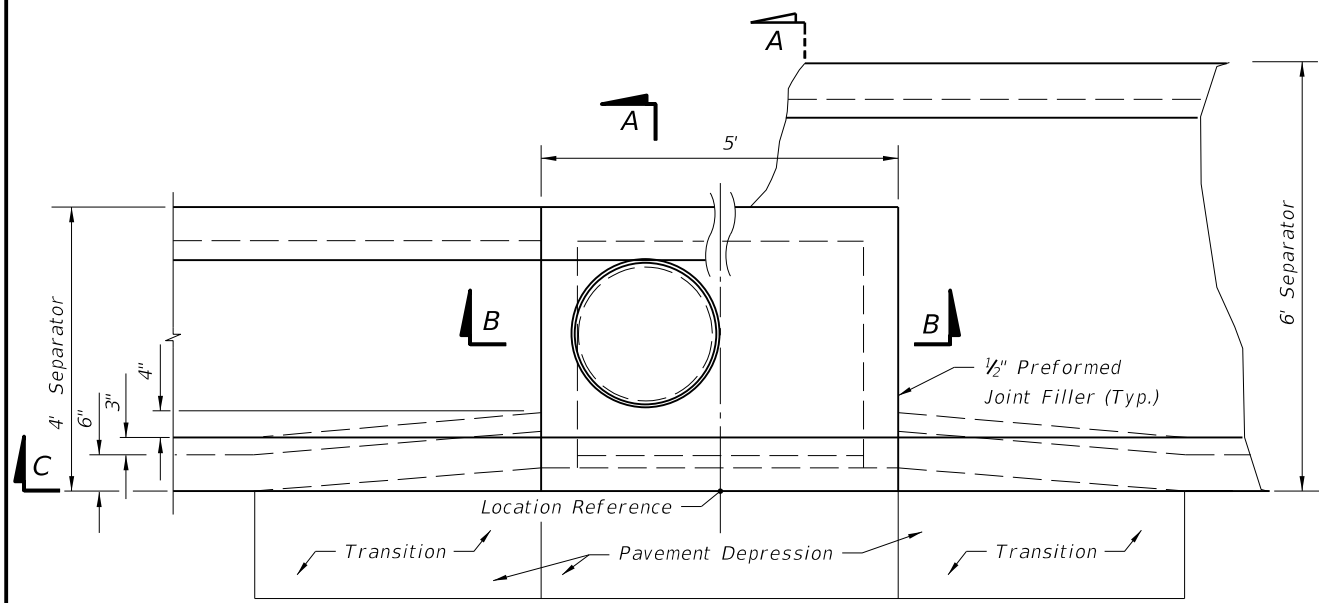
INDEX NO.	SHEET NO.
211	4 of 5

C:\projects\standards\roadway\02200-s\02211.dgn  
 sm970re  
 3:18:41 PM  
 6/24/2013

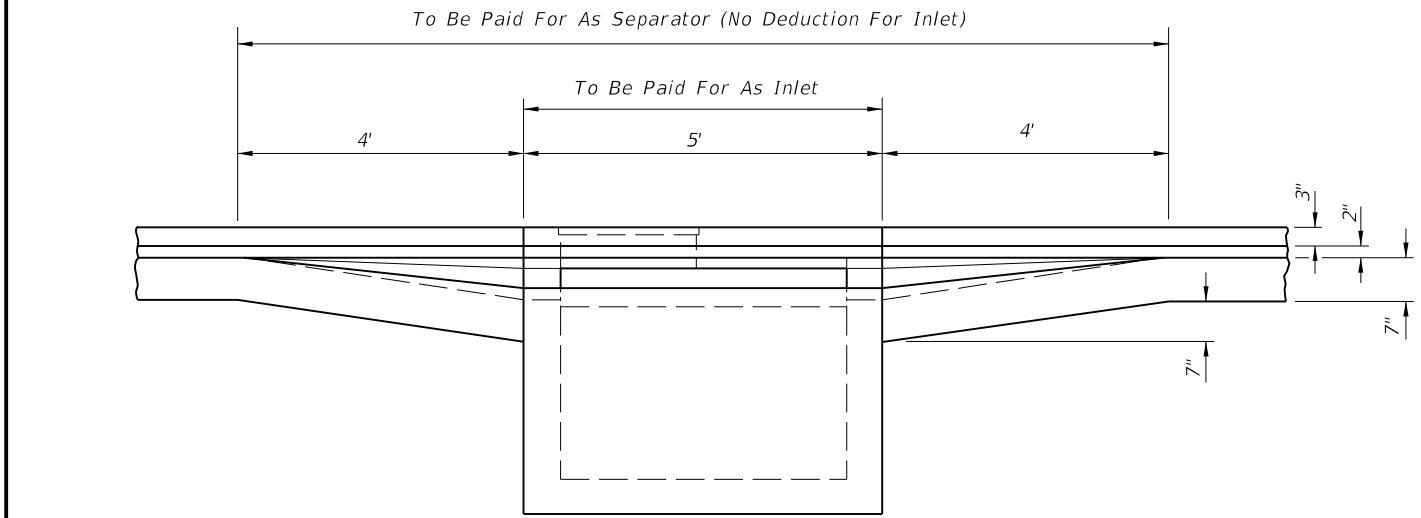


LAST REVISION <b>07/01/09</b>	DESCRIPTION: For Location Of Section GG and QQ See Sheet 1.		<b>FDOT 2014 DESIGN STANDARDS</b>	<b>CURB INLET TOPS TYPES 5 AND 6</b>	INDEX NO. <b>211</b>	SHEET NO. <b>5 of 5</b>
----------------------------------	---	--	---------------------------------------	--------------------------------------	-------------------------	----------------------------

C:\projects\standards\roadway\00200-s\00212-01.dgn  
 smg70re  
 3:18:43 PM  
 6/24/2013

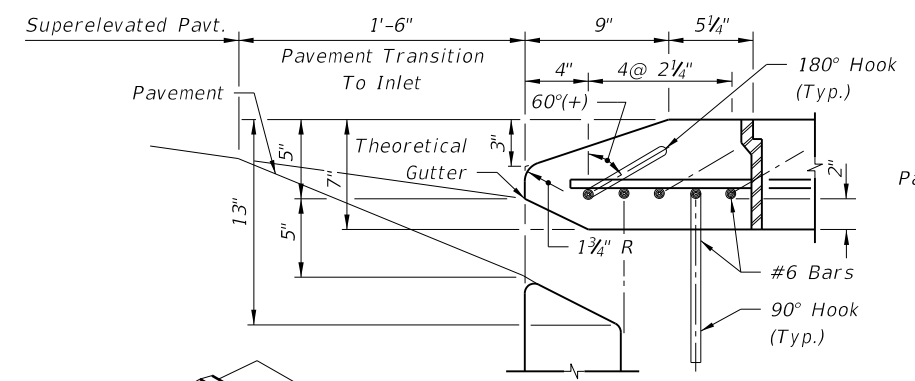


**PLAN**

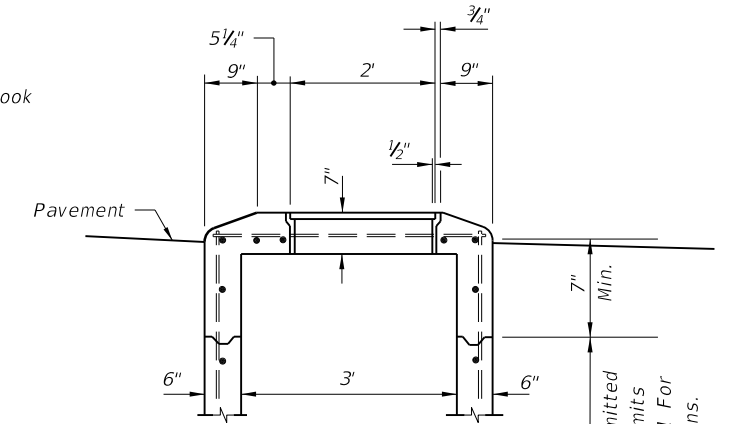


**GENERAL NOTES**

1. This inlet is used in Traffic Separators Types I and II; or, in separators constructed with Curbs Types A, B and E and sidewalk paving, which cannot accommodate Inlets Types 1, 2, 3, 4, 5, or 6. Use of this Inlet on through traffic side of the separator is not permitted in medians with Curb Types A and B. Locate inlet outside of pedestrian way.
2. All reinforcing to be Grade 60 bars with 2" min. cover unless otherwise shown. See Index No. 201 for equivalent area of welded wire fabric. Cut or bend bars out of way of pipe when necessary. Bars to clear pipe by 1 1/2"
3. Recommended maximum pipe sizes are 24" longitudinal and 30" transverse. For larger pipe, inlets with Alt. B bottoms, Index No. 200 are recommended.
4. For supplementary details see Index No. 201.
5. All dimensions are for both precast and cast-in-place inlets unless otherwise shown.
6. Inlet to be paid for under the contract unit price for Inlets (Curb) (Type 7), Each.



**THROAT DETAIL**



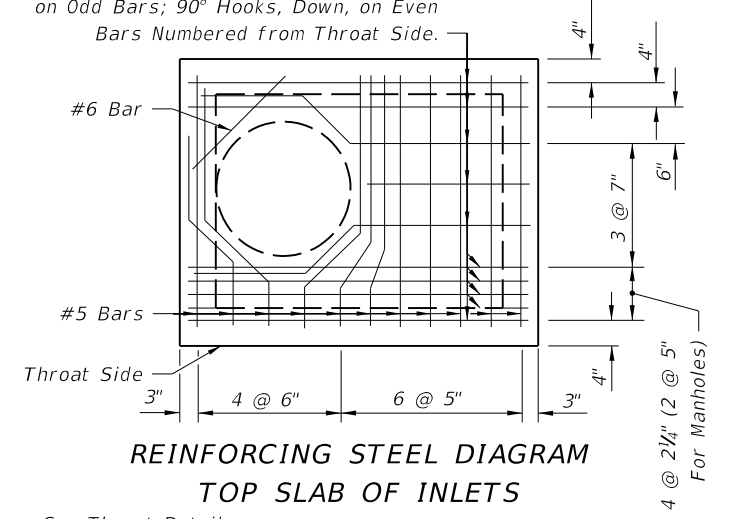
**MODIFICATION WHEN USED AS A MANHOLE**

#6 Bars ACI Std. Hooks Required Each End of Straight Bars and Right End of Bent Bars: 180° Hooks, Canted 60°(+), on Odd Bars; 90° Hooks, Down, on Even Bars Numbered from Throat Side.

Const. Joints Permitted Between These Limits See Index No. 201 For Minimum Dimensions.

**HORIZONTAL WALL REINFORCING SCHEDULE (TABLE 1)**

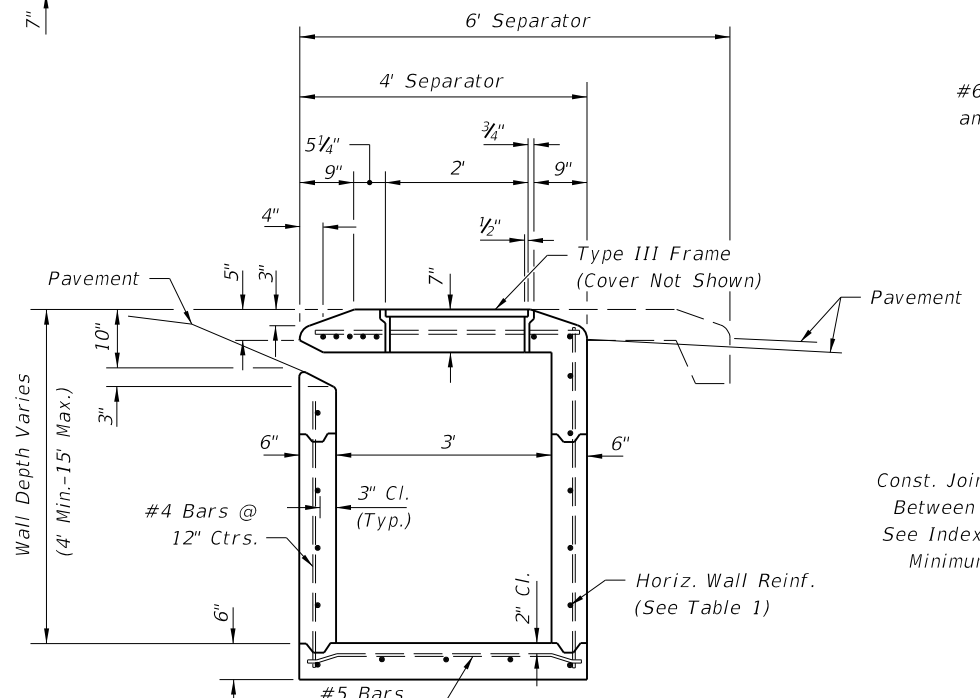
WALL DEPTH	SCHEDULE	AREA (in. <sup>2</sup> /ft.)	MAX. SPACING	
			BARS	WWF
0' - 6'	A12	0.20	12"	8"
6' - 10'	A6	0.20	6"	5"
10' - 13'	A4	0.20	4"	3"
10' - 15'	B5.5	0.24	5 1/2"	5"



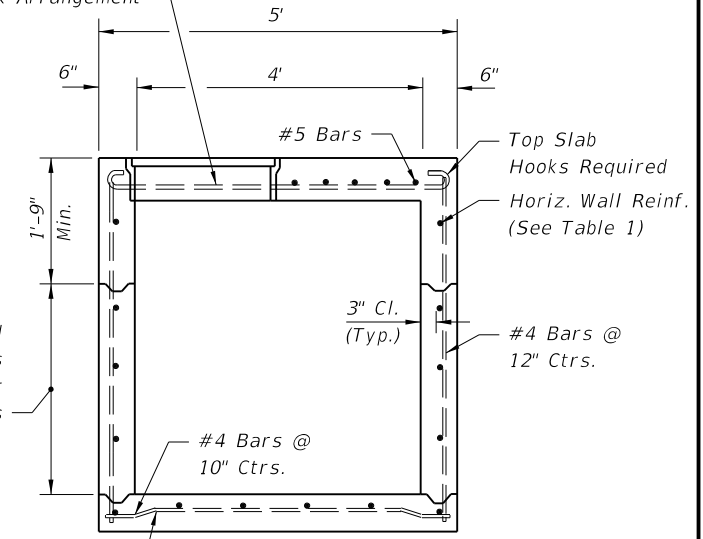
**REINFORCING STEEL DIAGRAM TOP SLAB OF INLETS**

#6 Bars - See Throat Detail and Reinforcing Diagram for Hook Arrangement

4 @ 2 1/4" (2 @ 5" For Manholes)



**SECTION AA**

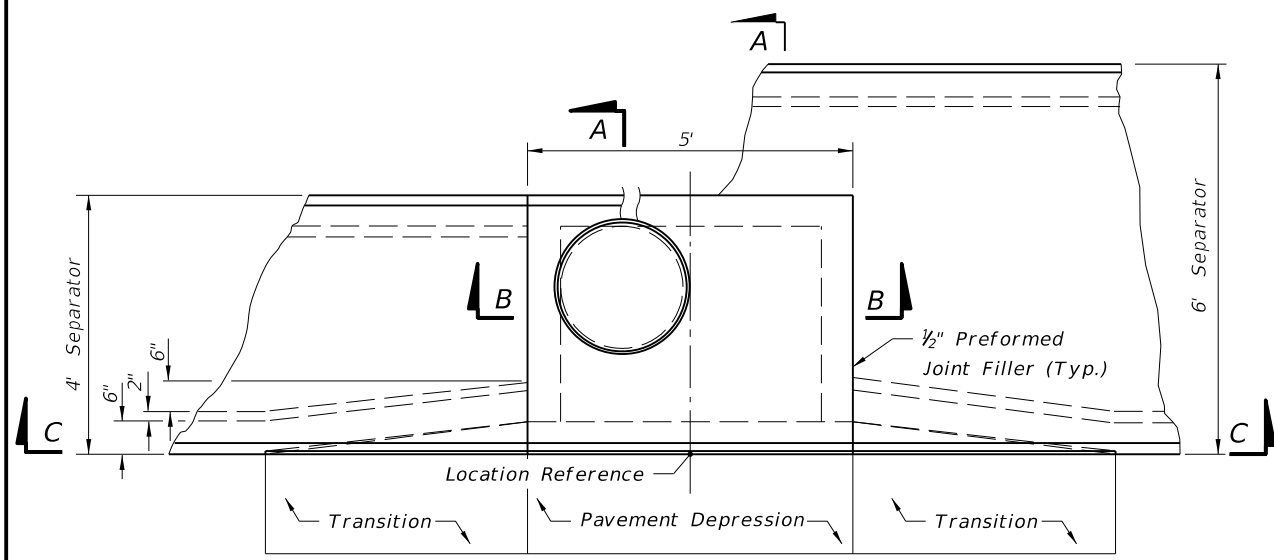


**SECTION BB**

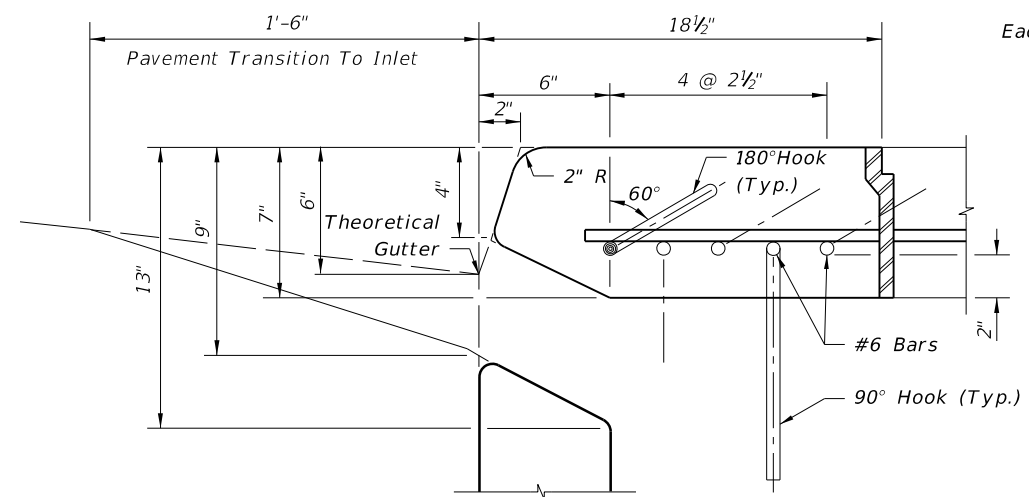
Const. Joints Permitted Between These Limits See Index No. 201 For Minimum Dimensions

For Bottom Slab Rebar Embedment Options See Optional Construction Joints, Index No. 201

C:\projects\standards\roadway\02200-s\02213-01.dgn  
 sm970re  
 3:18:45 PM  
 6/24/2013

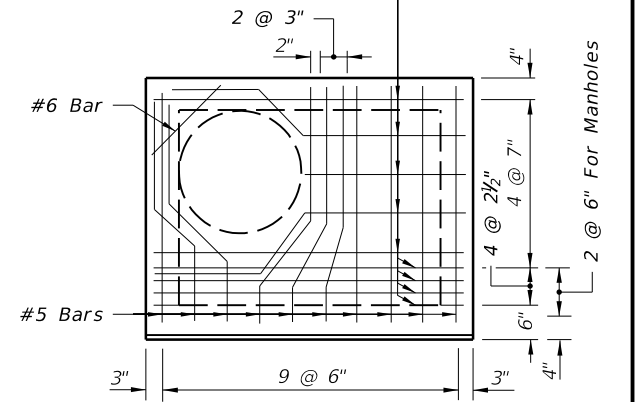


PLAN

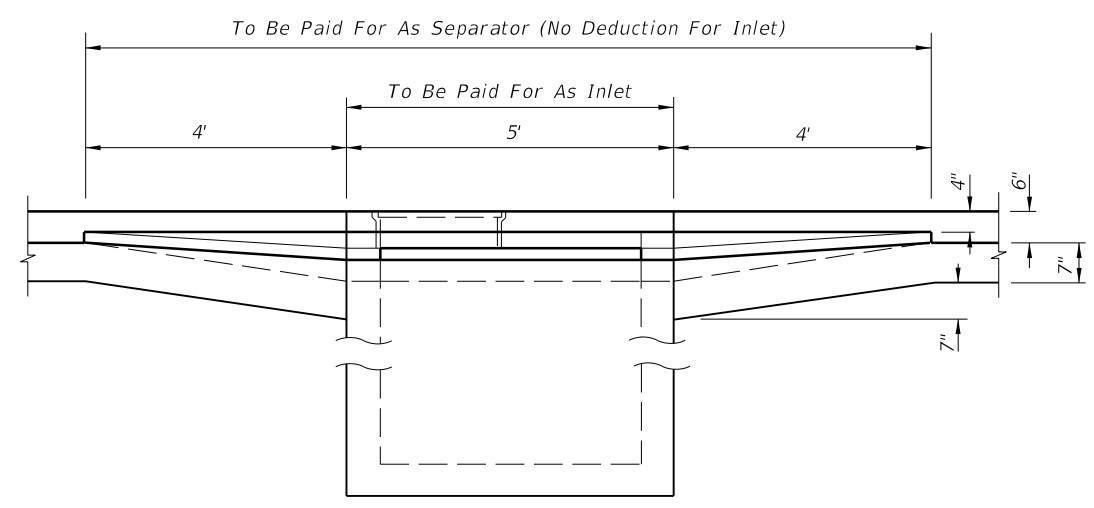


THROAT DETAIL (SECTION AA)

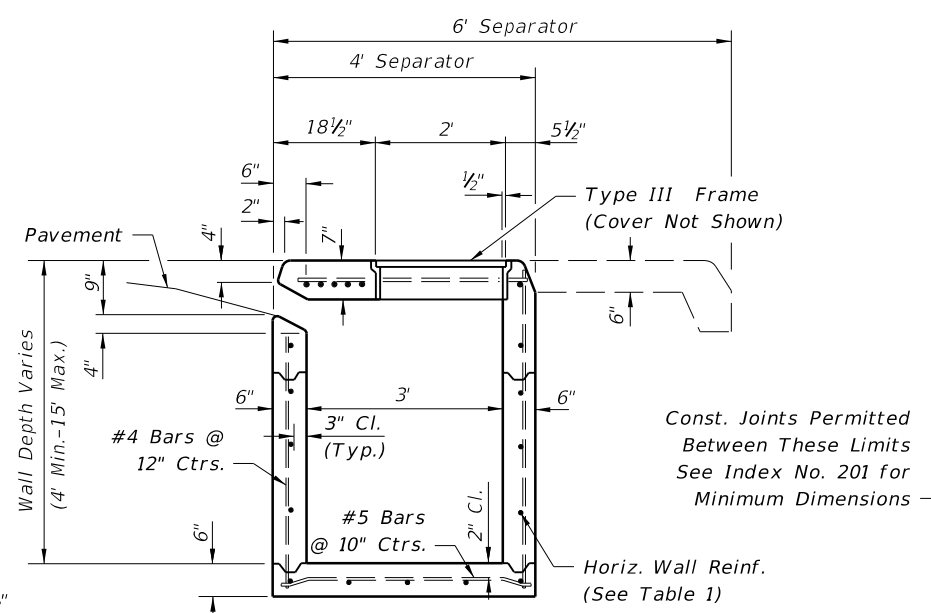
#6 Bars ACI Std. Hooks Required  
 Each End Of Straight Bars And Right  
 End Of Bent Bars. 180° Hooks,  
 Canted 60°(+), On Odd Bars; 90°  
 Hooks, Down, On Even Bars  
 Numbered From Throat Side.



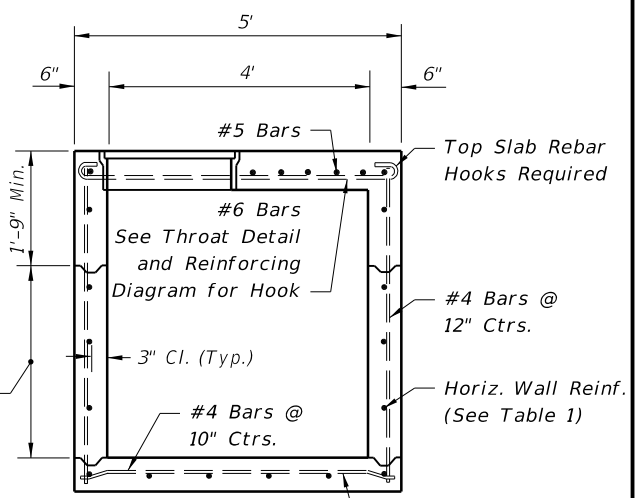
REINFORCING STEEL DIAGRAM  
 TOP SLAB OF INLET



SECTION CC



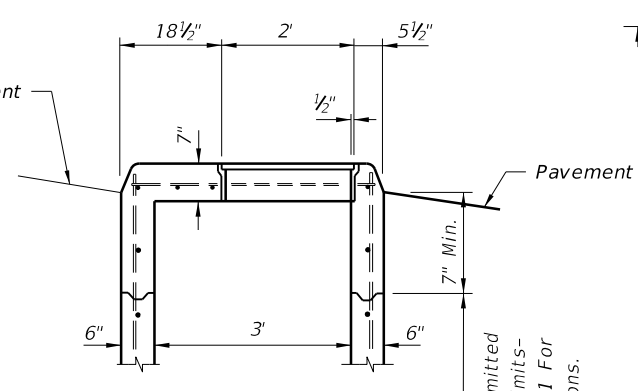
SECTION AA



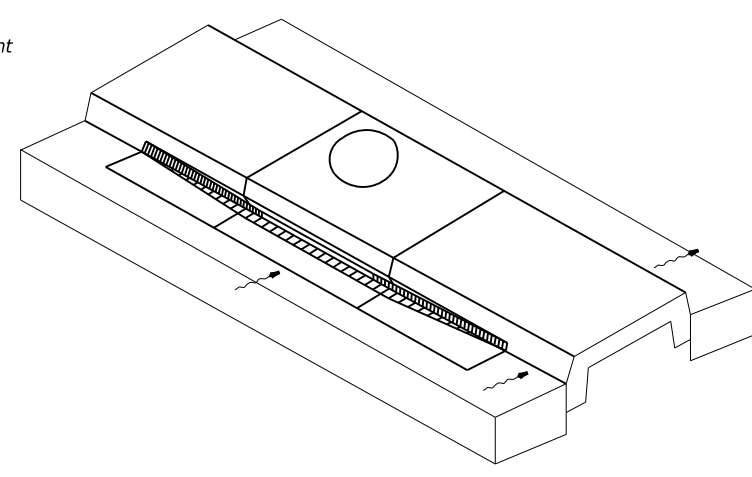
SECTION BB

**GENERAL NOTES**

1. This inlet is to be used only in Traffic Separators Types IV and V; or, in separators constructed with Curbs Types D and F and sidewalk paving, which cannot accommodate Inlets Types 1, 2, 3, 4, 5 or 6. Use of this inlet on the through traffic side of the separator should be avoided in medians constructed with Curb Type D (Curb inlets Types 9 or 10 are recommended). Locate inlet outside of pedestrian way.
2. All reinforcing to be Grade 60 bars with 2" min. cover unless otherwise shown. See Index No. 201 for equivalent area of welded wire fabric. Cut or bend bars out of way of pipe when necessary. Bars to clear pipe by 1 1/2".
3. Recommended maximum pipe sizes are 24" longitudinal and 30" transverse. For larger pipe, inlets with Alt. B bottoms, Index No. 200 are recommended.
4. For supplemental details and notes see Index No. 201.
5. All dimensions are for both precast and cast-in-place inlets unless otherwise shown.
6. Inlet to be paid for under the contract unit price for Inlets (Curb) (Type 8), Each.



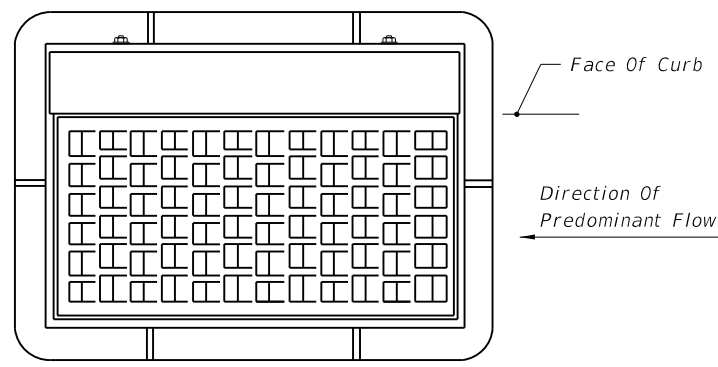
MODIFICATION WHEN USED  
 AS A MANHOLE



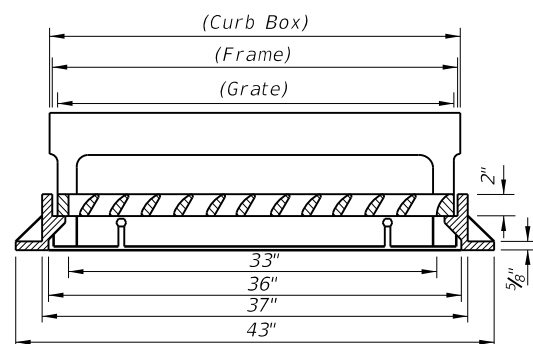
**HORIZONTAL WALL REINFORCING  
 SCHEDULE (TABLE 1)**

WALL DEPTH	SCHEDULE	AREA (in. <sup>2</sup> /ft.)	MAX. SPACING	
			BARS	WWF
0' -6'	A12	0.20	12"	8"
6' -10'	A6	0.20	6"	5"
10' -13'	A4	0.20	4"	3"
10' -15'	B5.5	0.24	5 1/2"	5"

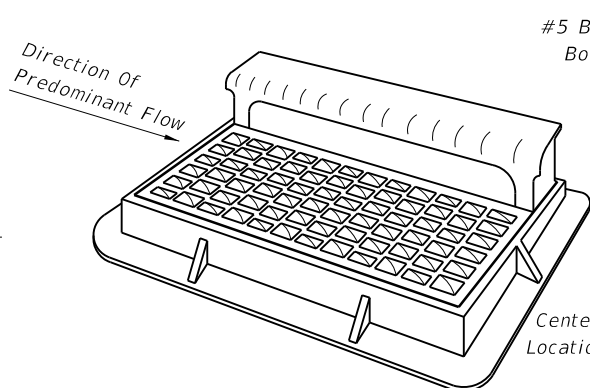
C:\projects\standards\roadway\02200-s\00214-01.dgn  
 smg70re  
 3:18:47 PM  
 6/24/2013



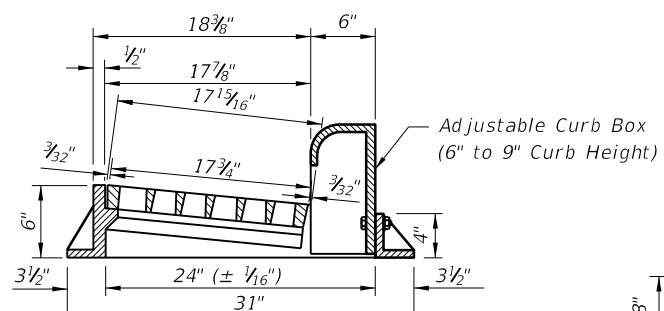
TOP VIEW



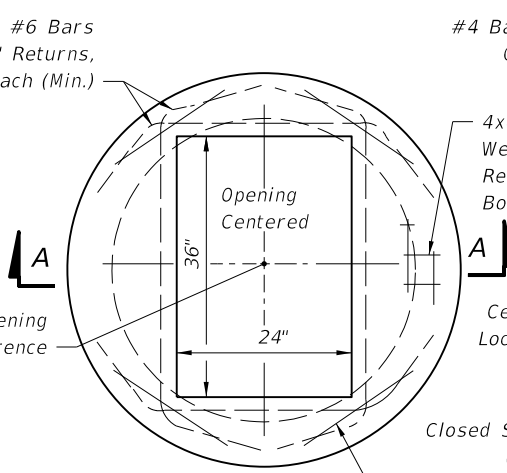
LONGITUDINAL SECTION



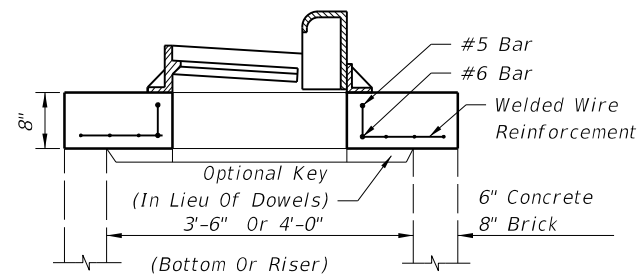
FRAME AND GRATE



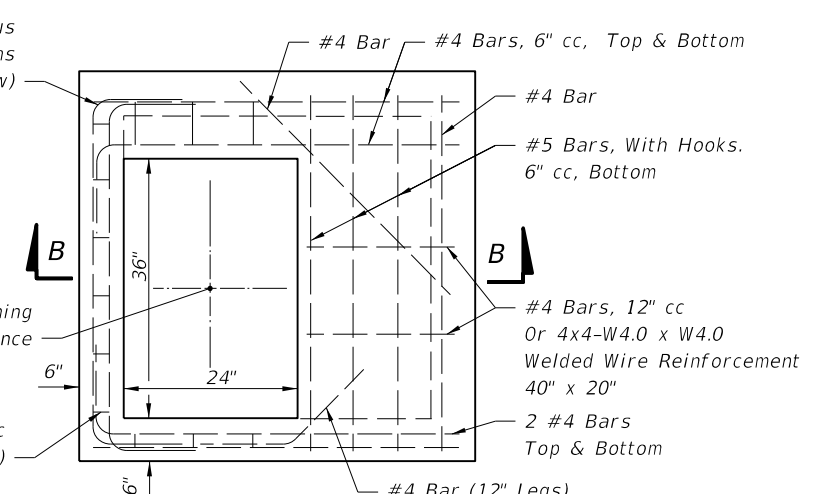
TRANSVERSE SECTION



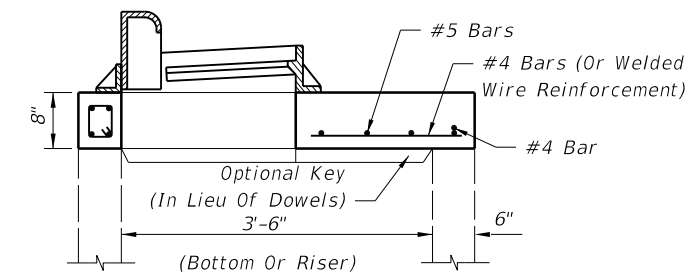
TOP VIEW



SECTION AA  
(SEE NOTE 6 BELOW)

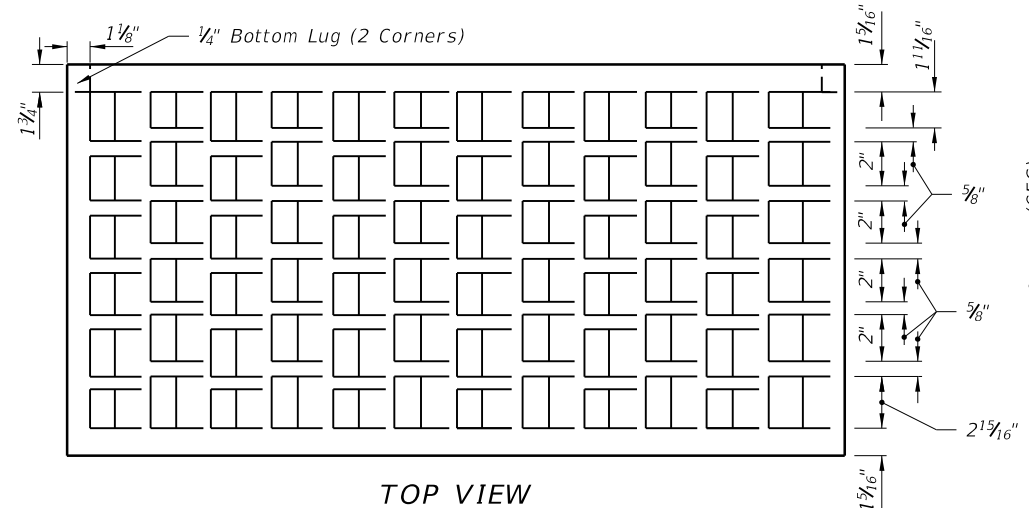


TOP VIEW



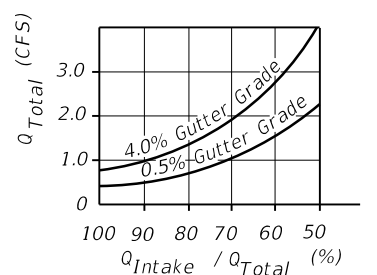
SECTION BB  
(SEE NOTE 6 BELOW)

TOP SLABS

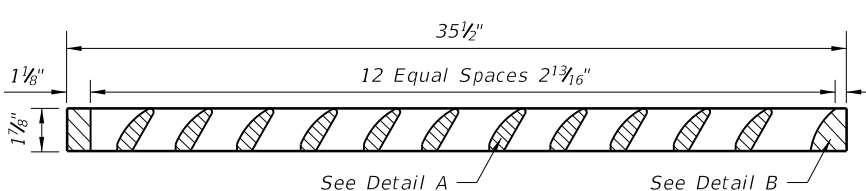


TOP VIEW

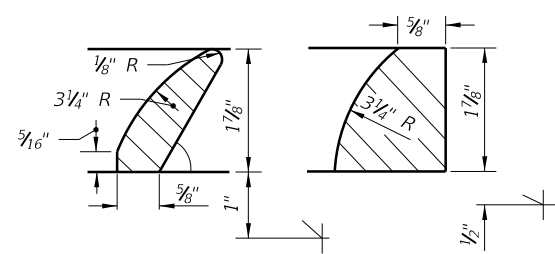
Approximate Debris Free Capacity  
(0.02 Pavement Cross Slope)



EFFICIENCY CURVE



SECTION



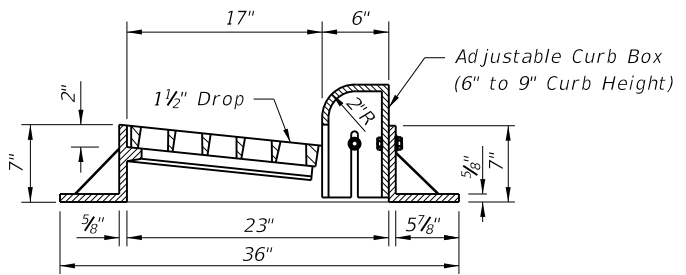
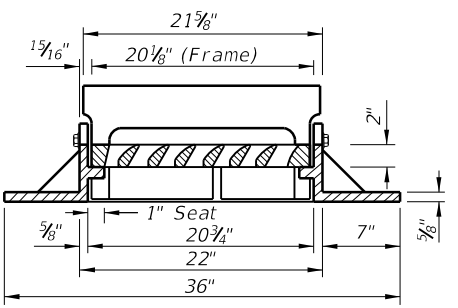
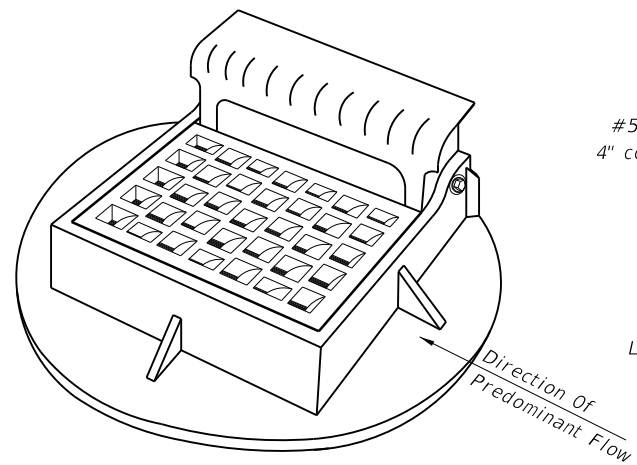
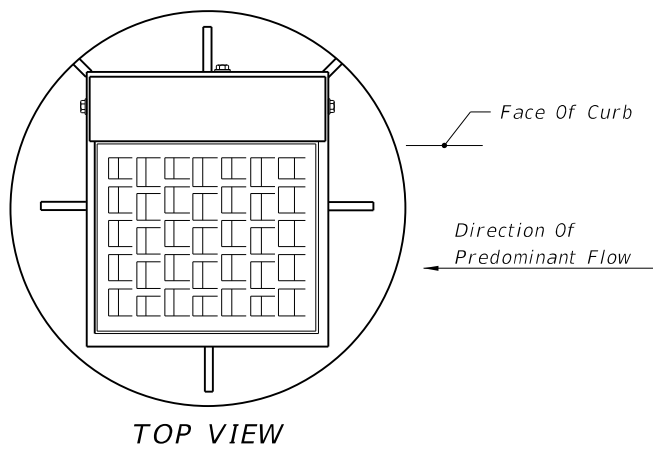
DETAIL A DETAIL B

GRATE DETAIL

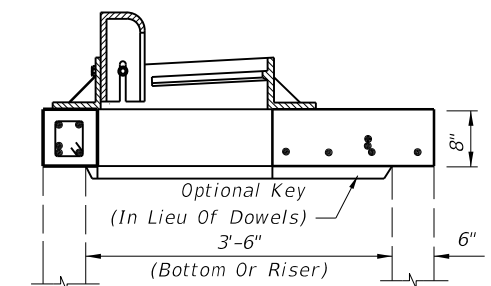
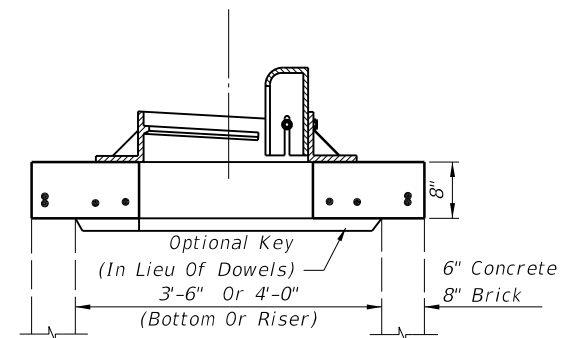
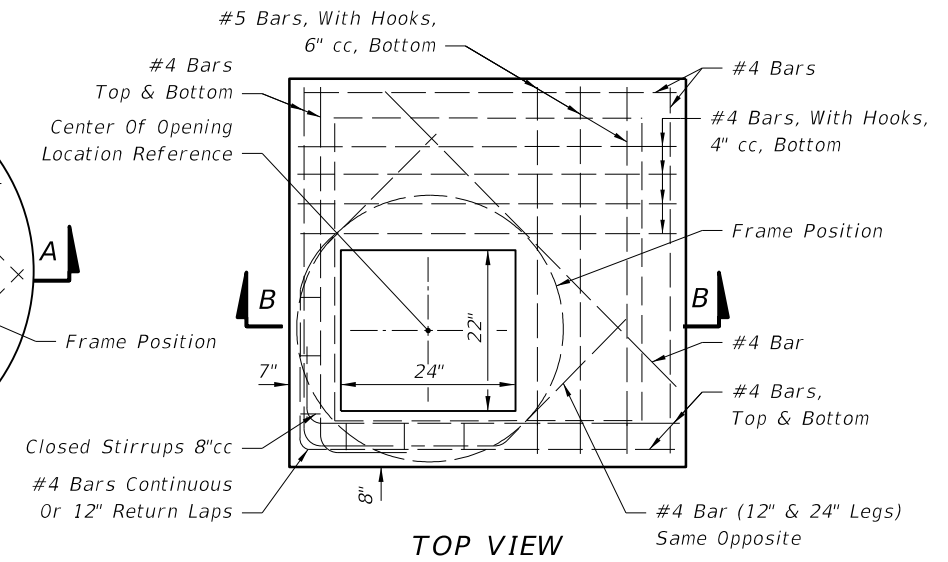
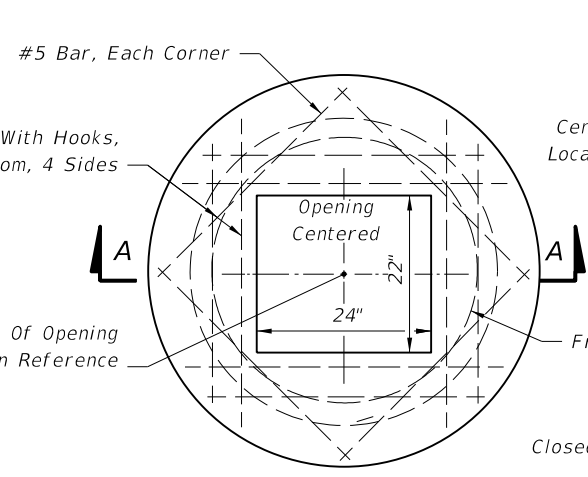
GENERAL NOTES

1. This inlet is primarily intended for locations with light to moderate flows where right of way does not permit the use of throated Curb Inlets Types 1 through 6. The typical application is on curb returns to city streets. The inlet grate is suitable for pedestrian and bicycle traffic.
2. This inlet to be located outside of curb ramp area in vertical faced curbs such as Curb and Gutter Type F. Grate shall be oriented with vanes directed toward Predominant flow.
3. For structure bottoms see Index No. 200. For supplemental details see Index No. 201.
4. All steel in slab tops shall have 1 1/4" minimum cover unless otherwise shown. Tops shall be either cast-in-place or precast concrete.
5. For Alternate B applications, top slab openings shall be placed such that 2 edges of inlet frame will be located directly above bottom wall or riser wall.
6. When used on a structure with dimensions larger than those detailed above and risers are not applied, the top slab shall be constructed using Index No. 200 with the slab opening adjusted to 24"x36". The "Special Top Slab" on Index No. 200 is not permitted.
7. Frame may be adjusted with one to six courses of brick.
8. Vaned grates with approximately equal openings will be permitted that satisfy AASHTO HL-93 loading. Grates shall be reversible, right or left.

LAST REVISION 07/01/13	REVISION	DESCRIPTION:	 <b>FDOT 2014 DESIGN STANDARDS</b>	<b>CURB INLET TOP TYPE 9</b>	INDEX NO. <b>214</b>	SHEET NO. <b>1 of 1</b>
---------------------------	----------	--------------	---	------------------------------	-------------------------	----------------------------

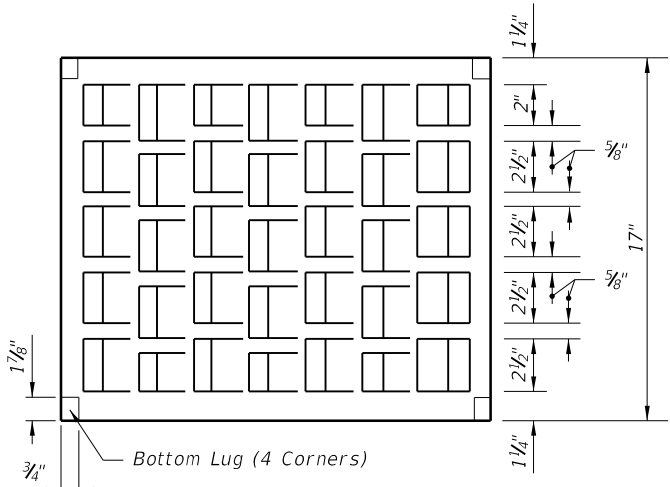


**FRAME AND GRATE**

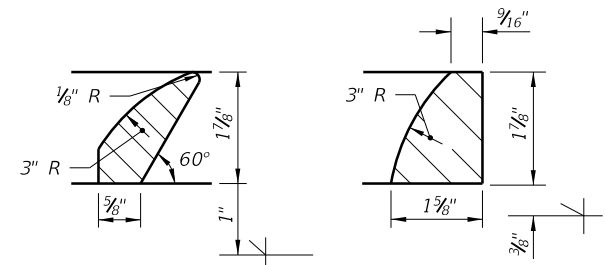
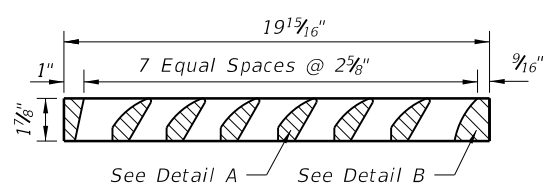
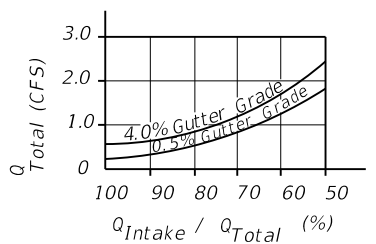


**TOP SLABS**  
**GENERAL NOTES**

1. This inlet is primarily intended for locations with light flows where right of way does not permit the use of throated Curb Inlets Types 1 through 6. The typical application is on curb returns to city streets. The inlet grate is suitable for pedestrian and bicycle traffic.
2. This inlet to be located outside of curb ramp area in vertical faced curbs such as Curb and Gutter Type F. Grate shall be oriented with vanes directed toward predominant flow.
3. For structure bottoms see Index No. 200. For supplemental details see Index No. 201.
4. All steel in slab tops shall have 1 1/4" minimum cover unless otherwise shown. Tops shall be either cast-in-place or precast concrete.
5. For Alternate B applications, top slab openings shall be placed such that 2 edges of inlet frame will be located directly above bottom or riser walls.
6. When used on a structure with dimensions larger than those detail above and risers are not applied, the top slab shall be constructed using Index No. 200 with the slab opening adjusted to 22"x24". The "Special Top Slab" on Index No. 200 is not permitted.
7. Frame may be adjusted with one to six courses of brick.
8. Vaned grates with approximately equal openings will be permitted that satisfy AASHTO HL-93 loading. Grates shall be reversible.




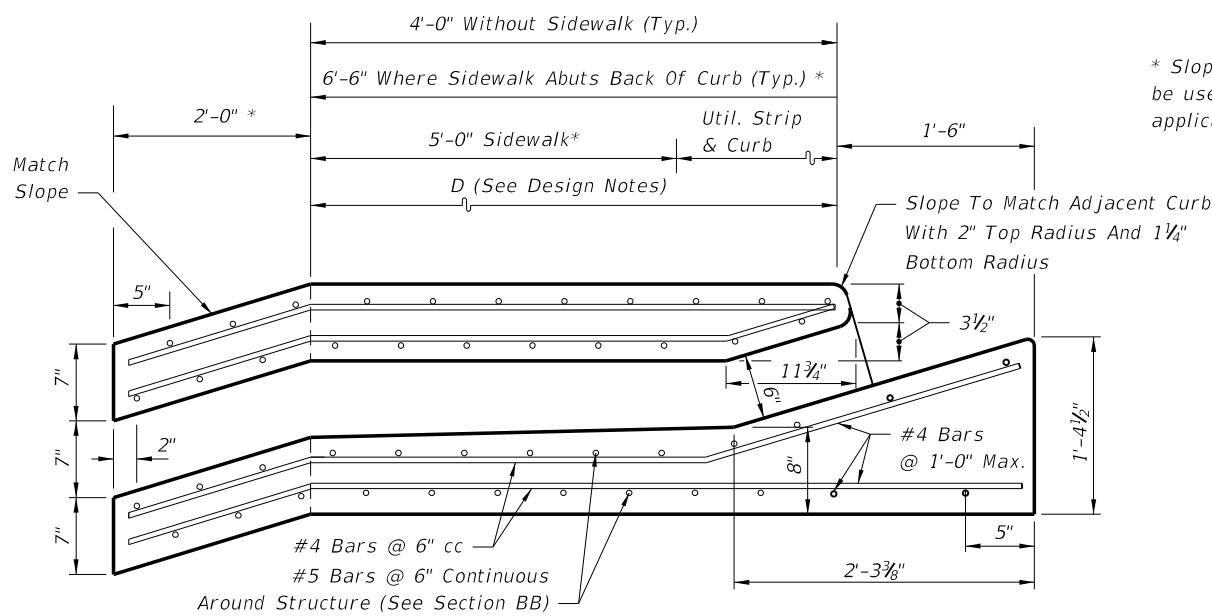
Approximate Debris Free Capacity (0.02 Pavement Cross Slope)



**GRATE DETAIL**

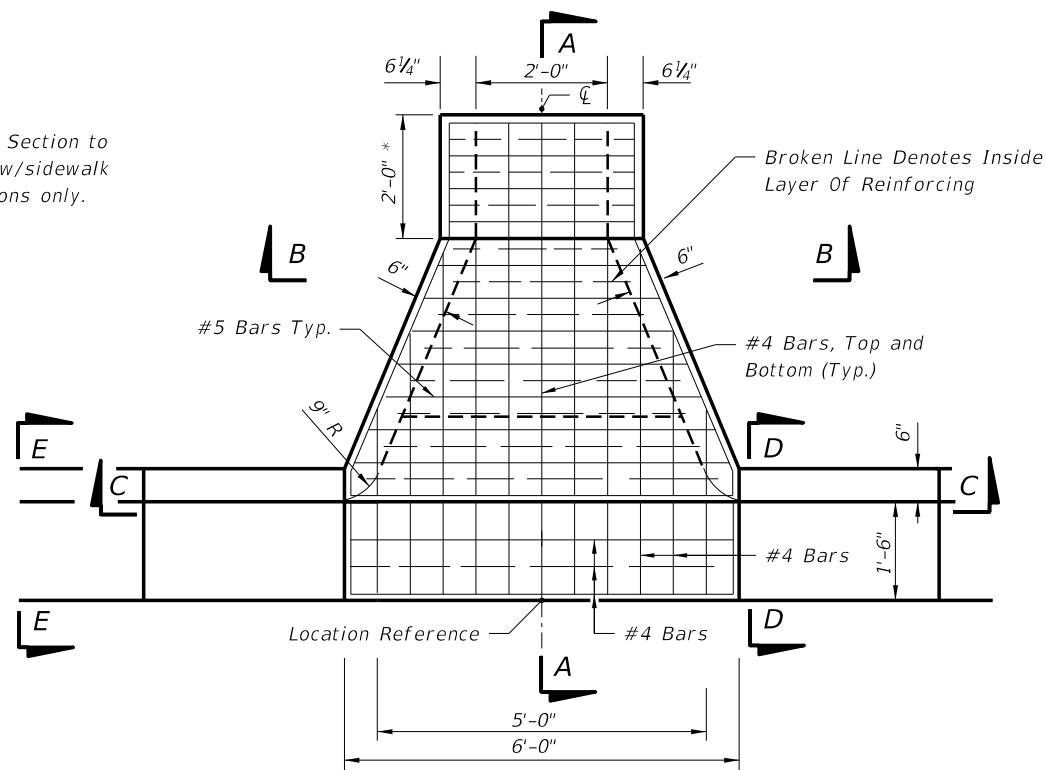
C:\projects\standards\roadway\02200-s\02215-01.dgn 3:18:49 PM sm970re 6/24/2013

LAST REVISION 07/01/13	DESCRIPTION:	 <b>FDOT 2014 DESIGN STANDARDS</b>	<b>CURB INLET TOP TYPE 10</b>	INDEX NO. 215	SHEET NO. 1 of 1
REVISION					



SECTION AA

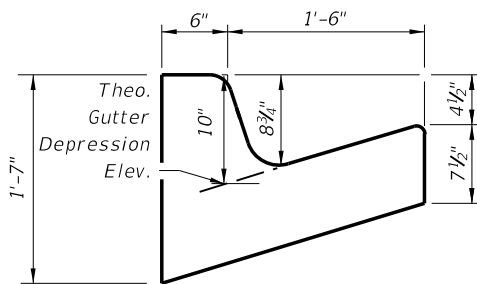
\* Sloped Section to be used w/sidewalk applications only.



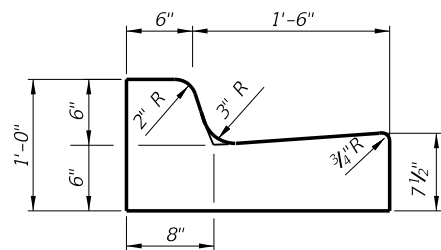
TOP VIEW

GENERAL NOTES

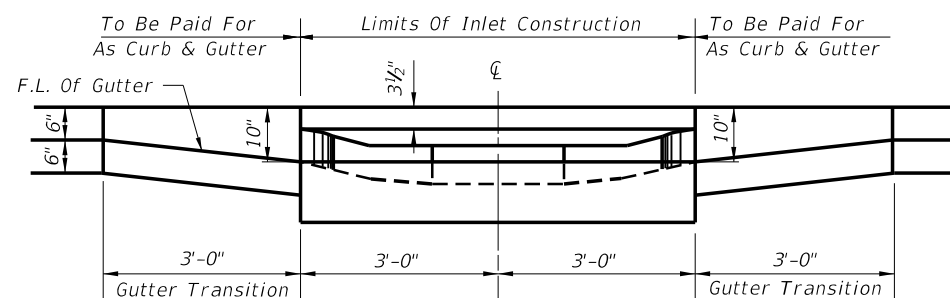
1. The finished grade and slope of the inlet top are to conform with the finished cross slope and grade of the proposed sidewalk and/or border.
2. When inlets are to be constructed on a curve, refer to the plans to determine the radius and, where necessary, modify the inlet details accordingly. Bend steel when necessary.
3. All steel shall have 1 1/4" minimum cover unless otherwise shown. Inlets can be either cast-in-place or precast concrete. Chamfer all exposed edges 3/4".
4. All reinforcement is ASTM A615/A615M Grade 60 steel, either smooth or deformed. Equivalent area grade 40 steel or 65 ksi welded wire fabric may be substituted.
5. Inlets to be paid for under the contract unit price for Inlets (Closed Flume) EA.



SECTION DD

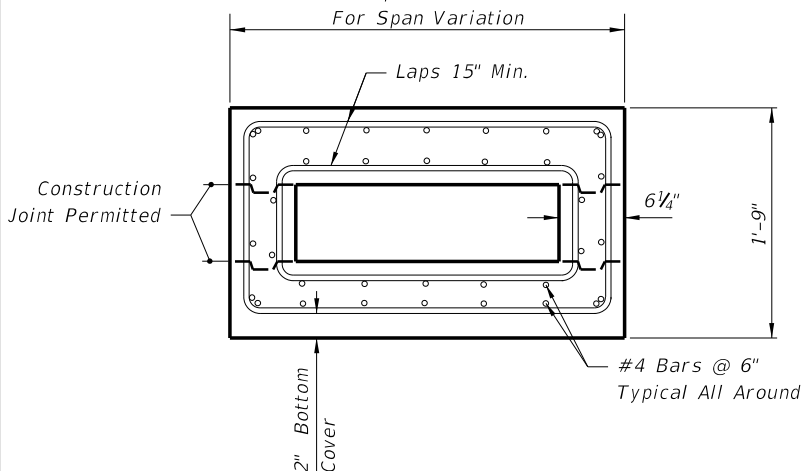


Curb And Gutter Type F SECTION EE

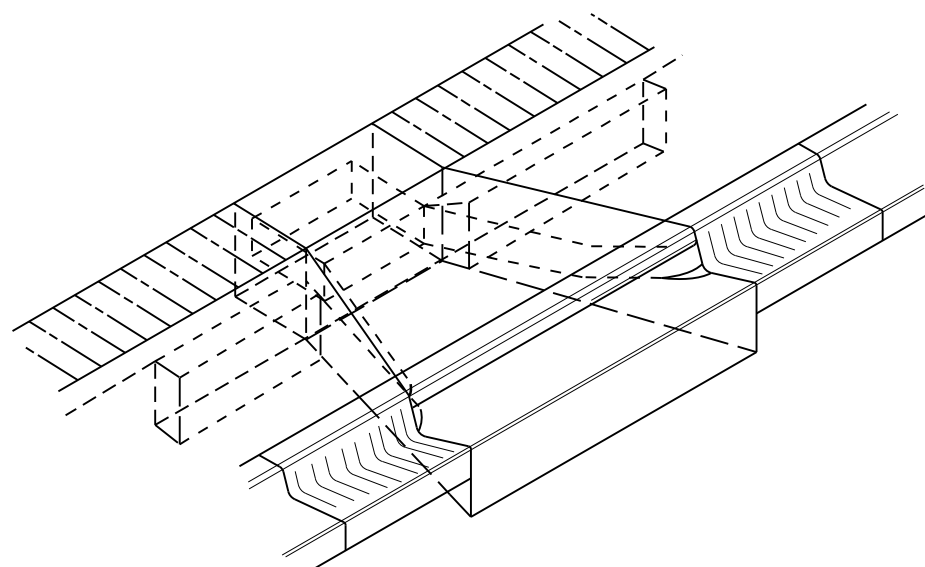


SECTION CC SINGLE BARREL FLUME

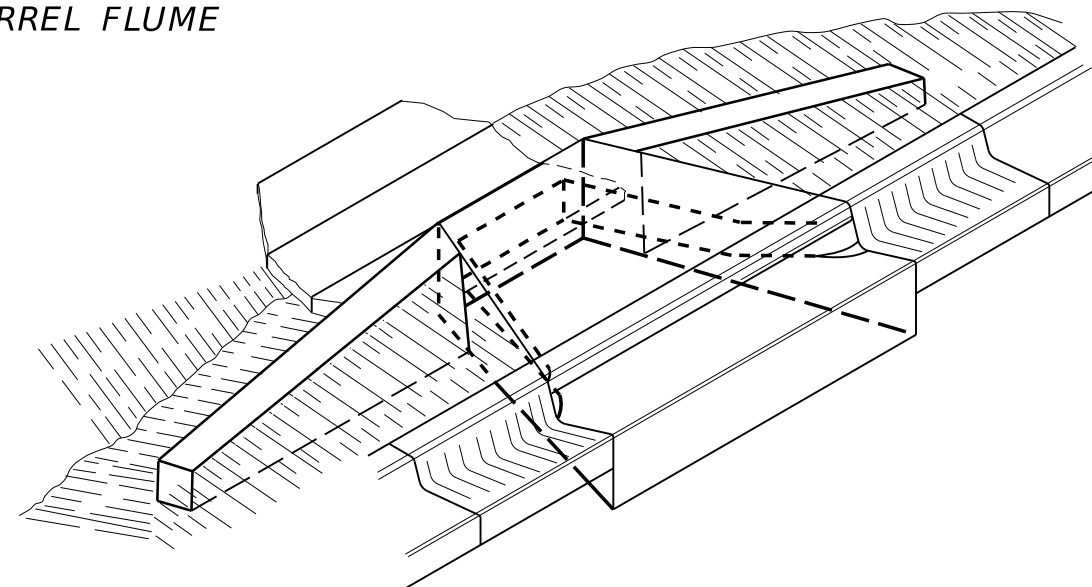
Varies From 3'-1/2" To 6'-0"  
For Single Barrel Flume  
See Multiple Barrel Flumes  
For Span Variation



SECTION BB



SINGLE BARREL FLUME DEPICTED  
FLUME W/SIDEWALK INLET (CLOSED FLUME) TYPE I



SINGLE BARREL FLUME DEPICTED  
FLUME W/O SIDEWALK INLET (CLOSED FLUME) TYPE II

C:\projects\standards\roadway\02200-s\02216-01.dgn sm970re 3:18:51 PM 6/24/2013

LAST REVISION 07/01/13

DESCRIPTION:



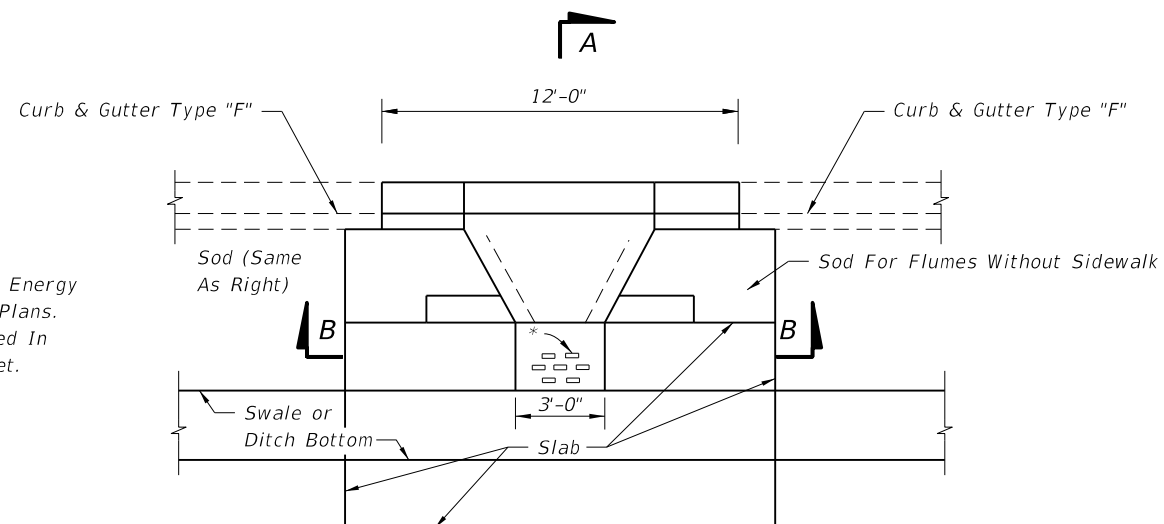
FDOT 2014  
DESIGN STANDARDS

CLOSED FLUME INLET

INDEX NO.  
216

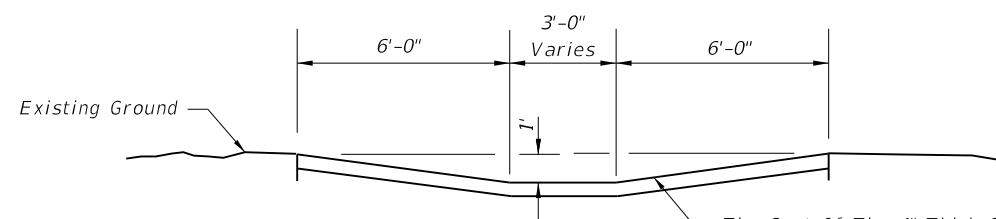
SHEET NO.  
1 of 3

C:\projects\standards\roadway\02200-s\02216-02.dgn  
sm970re  
3:18:52 PM  
6/24/2013



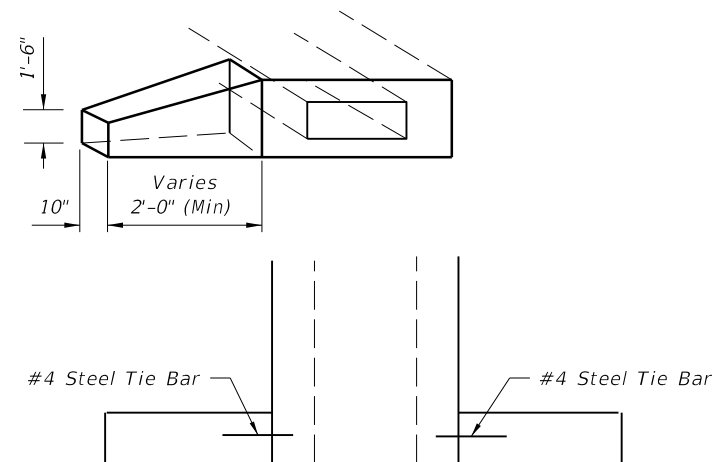
\*Bricks to Dissipate Energy When Called For In Plans. Bricks To Be Included In The Cost Of The Inlet.

SINGLE BARREL FLUME DEPICTED  
PLAN

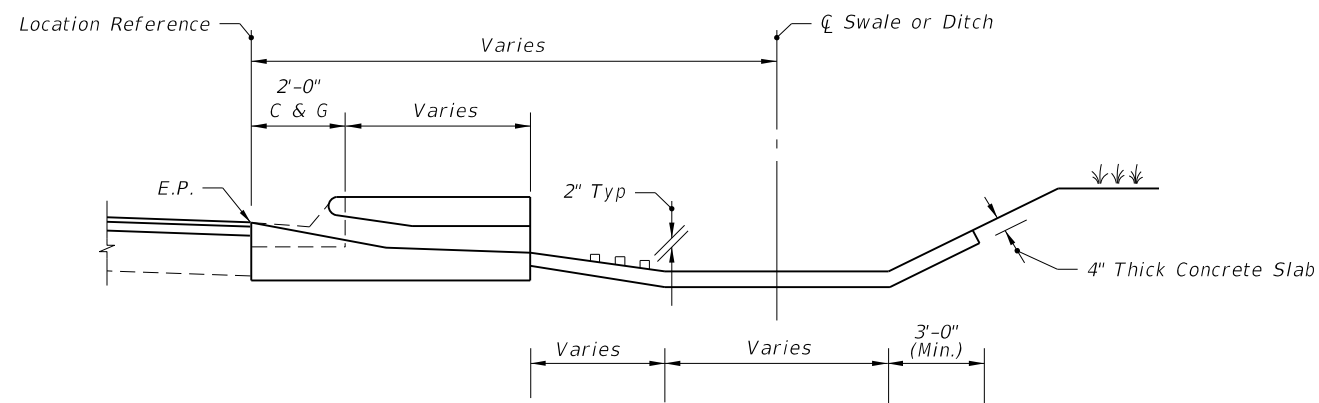


SINGLE BARREL FLUME DEPICTED  
SECTION BB

The Cost Of The 4" Thick Slab And The 6"x6" W2.5xW2.5 Min. Welded Wire Reinforcement In The Middle Of Slab To Be Included In The Cost Of The Inlet.




SINGLE BARREL FLUME DEPICTED  
ENDWALL

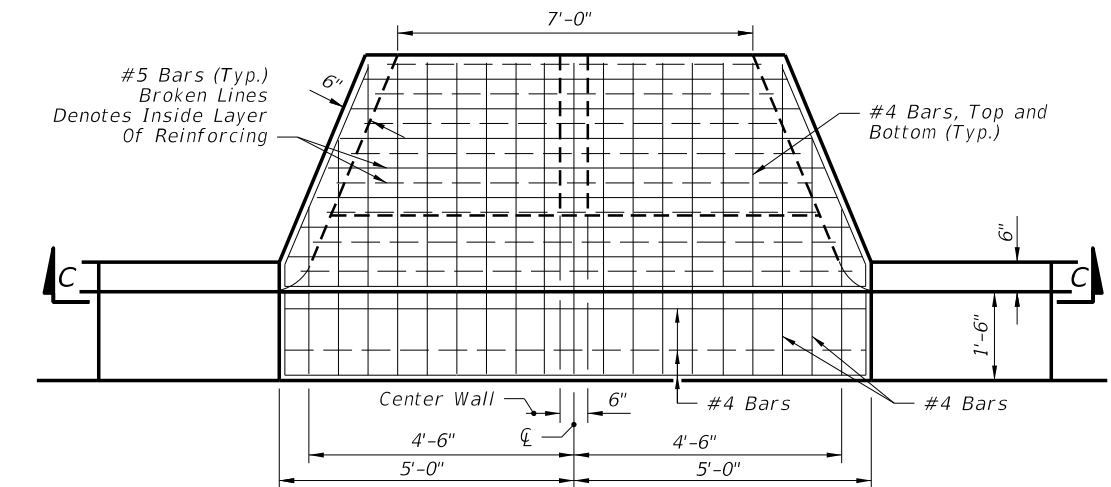


SECTION AA

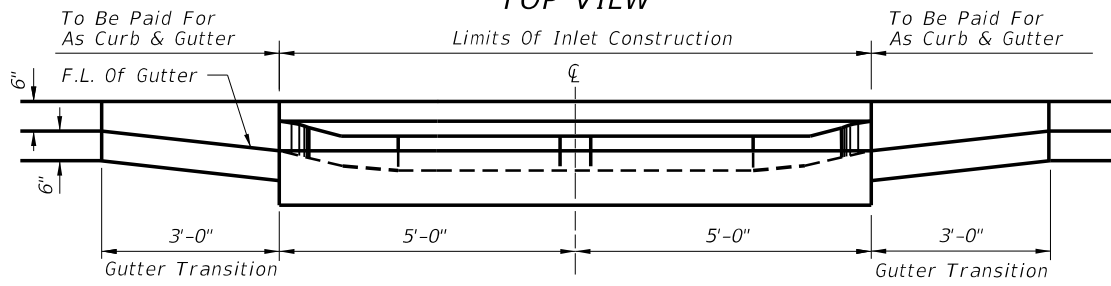
SLOPES, DITCH APRON AND ENDWALLS

LAST REVISION 07/01/13	DESCRIPTION:	 <p>FDOT 2014 DESIGN STANDARDS</p>	<p>CLOSED FLUME INLET</p>	INDEX NO. 216	SHEET NO. 2 of 3
REVISION					

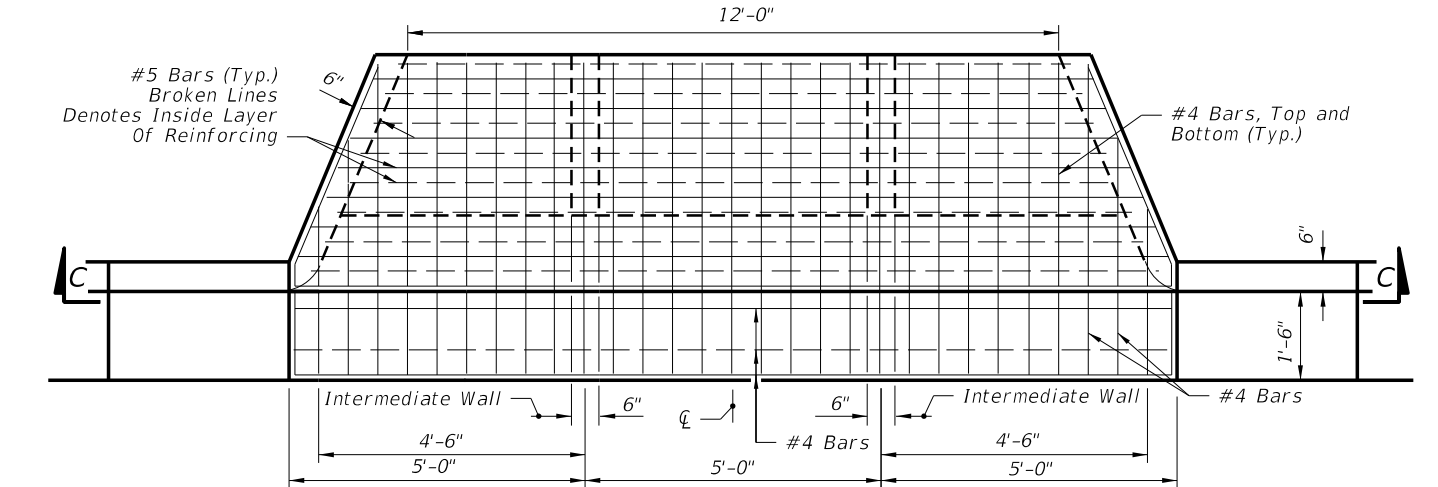




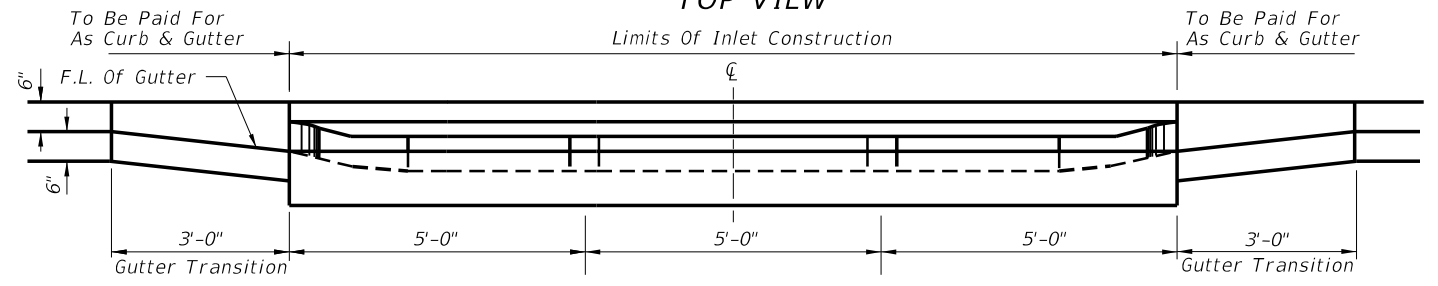
TOP VIEW



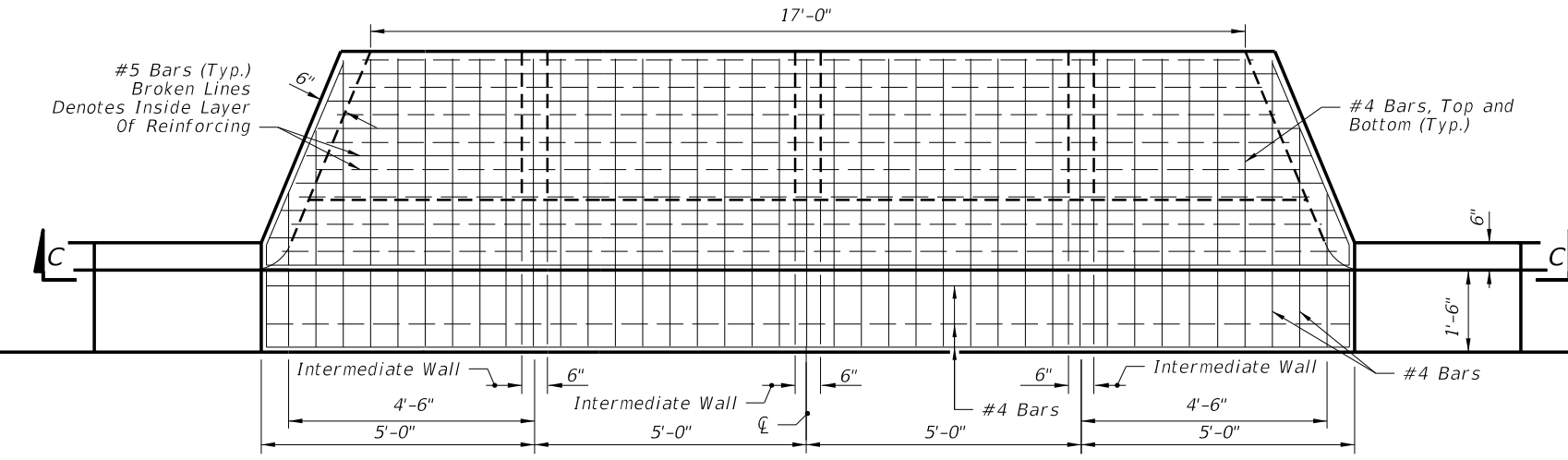
SECTION CC  
DOUBLE BARREL FLUME



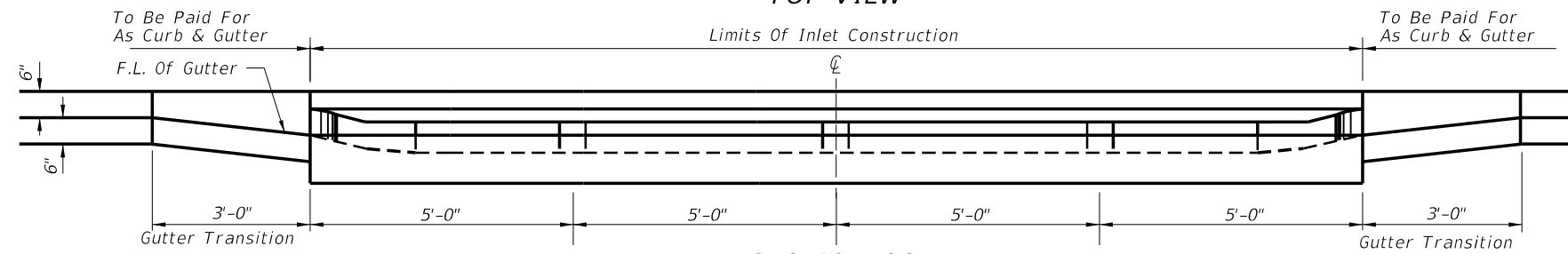
TOP VIEW



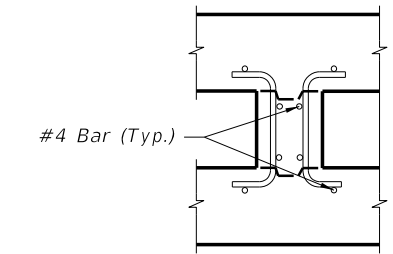
SECTION CC  
TRIPLE BARREL FLUME



TOP VIEW




SECTION CC  
QUADRUPLE BARREL FLUME



INTER-WALL REINFORCING

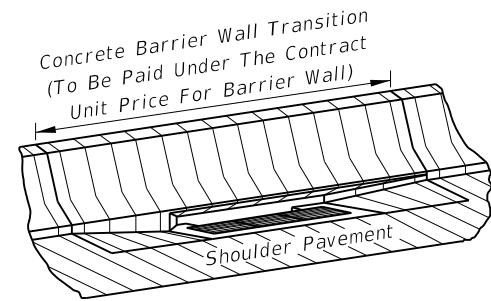
NOTE: See Single Barrel Flume For Base Dimensions.

C:\projects\standards\roadway\02200-s\00216-03.dgn  
smg70re  
3:18:54 PM  
6/24/2013

LAST REVISION	REVISION	DESCRIPTION:	 <b>FDOT 2014 DESIGN STANDARDS</b>	<b>CLOSED FLUME INLET</b>	INDEX NO. <b>216</b>	SHEET NO. <b>3 of 3</b>
07/01/02						

Center Line Inlet  
Symmetrical About Center Line For Inlet Types 2 & 4 and for Double Throat Side of Inlet Type 5. See Tabular Description of Inlets, General Note 1.

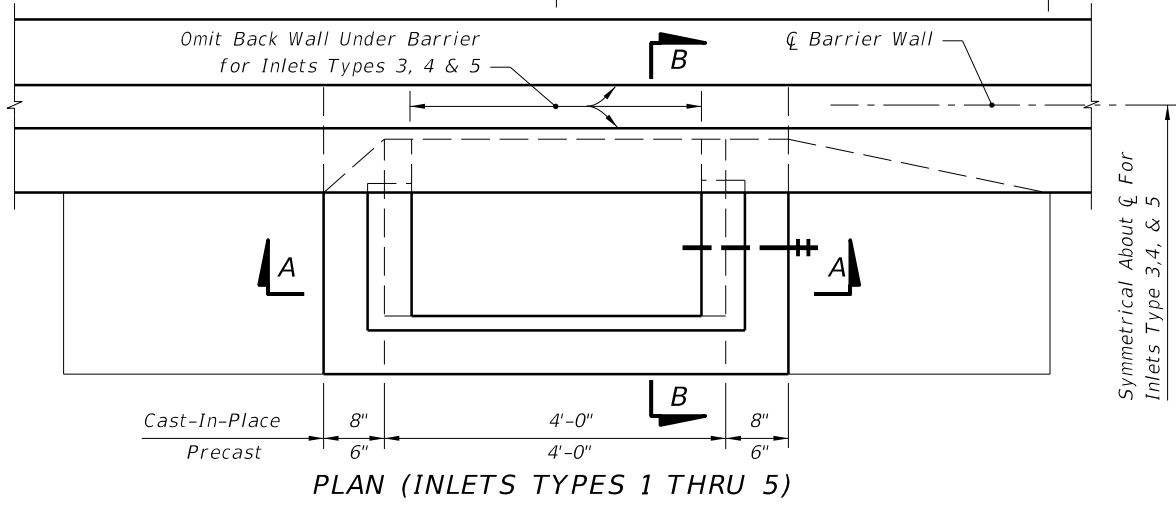
Shoulder Slope	Grate Slope Rate	Drop Height		Remarks
		CIPL	Precast	
0.03	1:6	1 1/16"	1 1/16"	Std. Median Concrete Shoulder
0.05	1:6	1 1/16"	7/8"	Std. Median Flexible Shoulder
0.06	1:6	1 3/16"	5/8"	
0.07	1:5	1 5/8"	1 3/8"	
0.08	1:5	1 3/8"	1 1/16"	
0.09	1:5	1 1/8"	1 5/16"	
0.10	1:5	7/8"	1 1/16"	e (max)



PICTORIAL VIEW (TYPE 1 SHOWN)

GENERAL NOTES

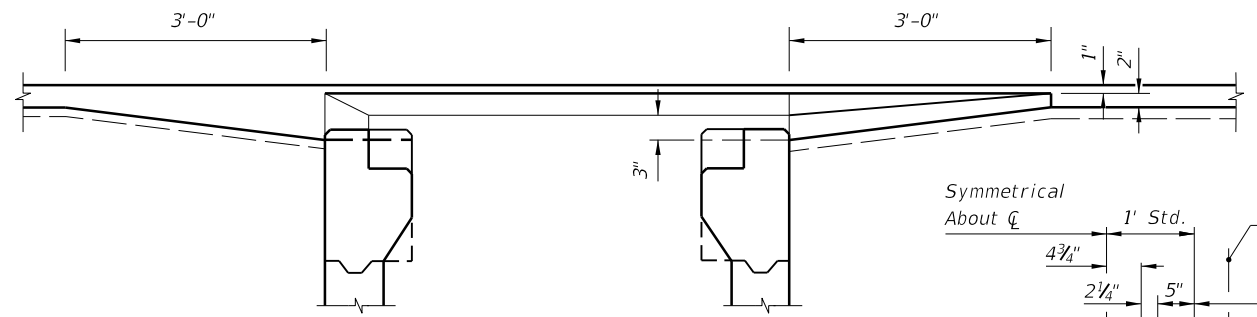
- Inlet Descriptions:**  
 Type 1 Single throat, one side of barrier wall.  
 Type 2 Double throats, one side of barrier wall.  
 Type 3 Two single throats, opposite side of barrier wall.  
 Type 4 Two double throats, opposite sides of barrier wall.  
 Type 5 Double throats, one side of barrier wall, and single throat other side of barrier wall.
- For grate details see Index No. 220. The parallel bar grate shall be used unless the reticuline grate is called for in the plans. The reticuline grate shall be specified where bicycle traffic is anticipated. Used in areas of occasional pedestrian traffic. Not suitable for use in pedestrian traffic or bicycle way.
- All exposed edges and corners shall be 3/4" chamfer or tooled to 1/4" radius.
- For standard concrete barrier wall dimensions, and for dimensions of concrete barrier wall incorporating light standards within the wall, see Index No. 410.
- Reinforcing steel shall have 2" minimum cover. Horizontal wall reinforcing must be positioned 3" from the inside face unless otherwise shown.
- All reinforcing is Grade 60 #4 bars. See Index No. 201 for equivalent area of welded wire fabric for inlet. Longitudinal steel bars extend over full length of concrete barrier wall transition. Tie bars @ 12" ctrs. Reinforcing to be paid for under the contract unit price for Concrete Barrier Wall, LF.
- For supplemental details see Index No. 201.
- All dimensions are for both precast and cast-in-place inlets unless otherwise noted.
- Inlets to be paid for under the contract unit price for Inlets (Median Barrier Type), EA. Barrier wall to be paid for under the contract unit price for Concrete Barrier Wall, LF.



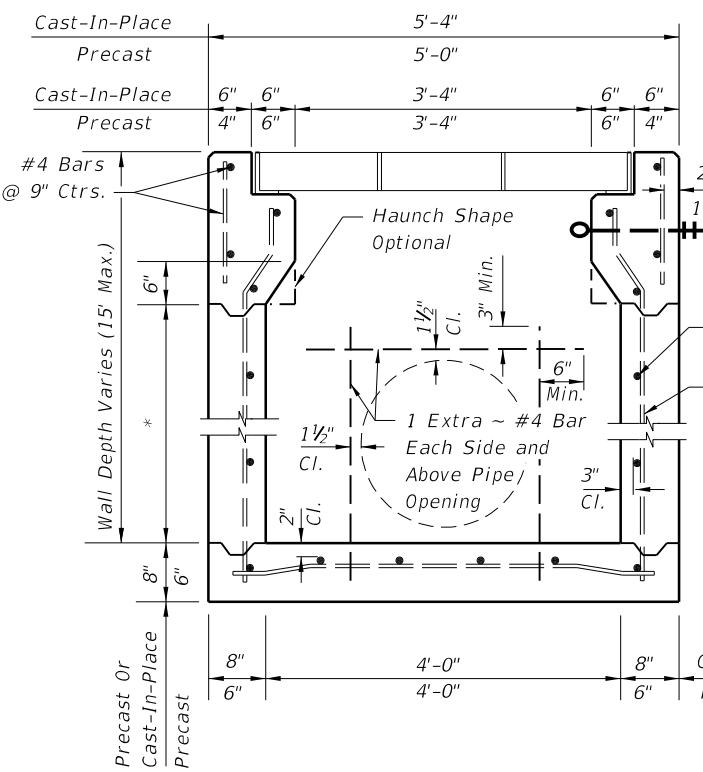
PLAN (INLETS TYPES 1 THRU 5)

HORIZONTAL WALL REINFORCING SCHEDULE (TABLE 1)

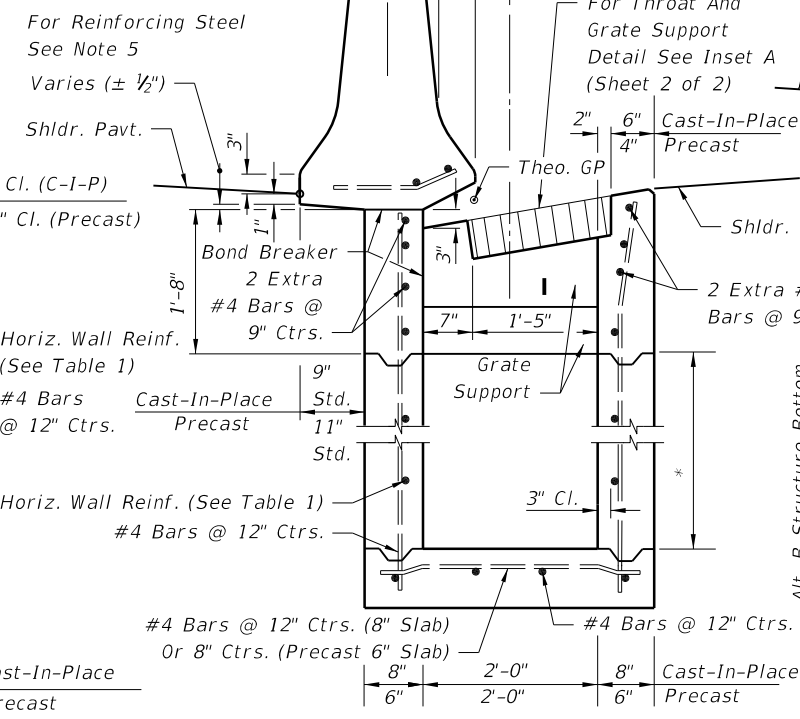
WALL DEPTH	SCHEDULE	AREA (in. <sup>2</sup> /ft.)	MAX. SPACING	
			BARS	WWF
0'-3'	A12	0.20	12"	8"
3'-6'	A6	0.20	6"	5"
6'-9'	B5.5	0.24	5 1/2"	5"
9'-15'	C6.5	0.37	6 1/2"	6"



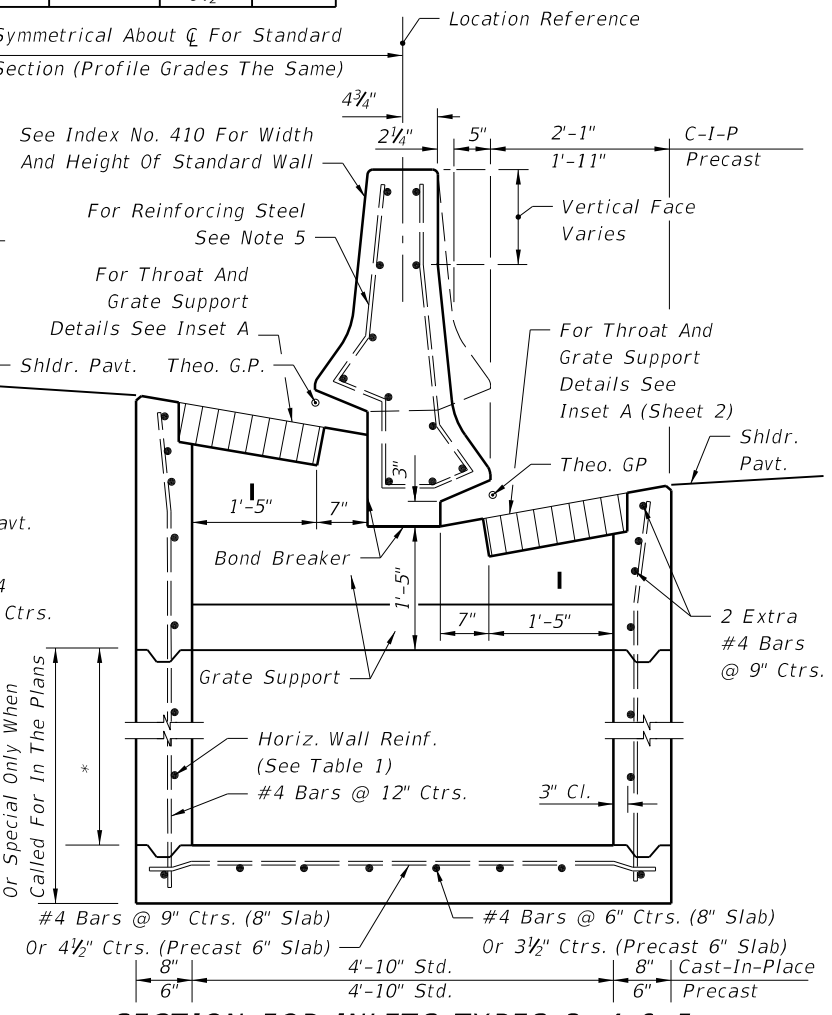
SECTION CC



(Pipe Opening Shown) SECTION AA



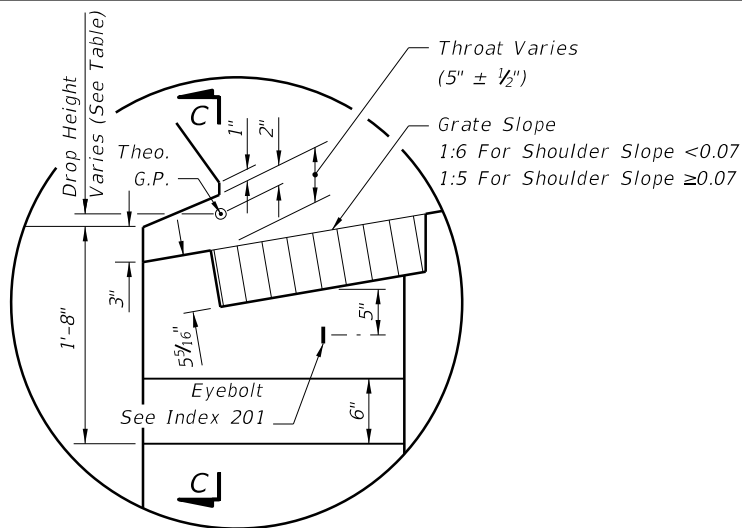
SECTION FOR INLETS TYPES 1 & 2 (NON-SYMMETRICAL SECTION SHOWN)



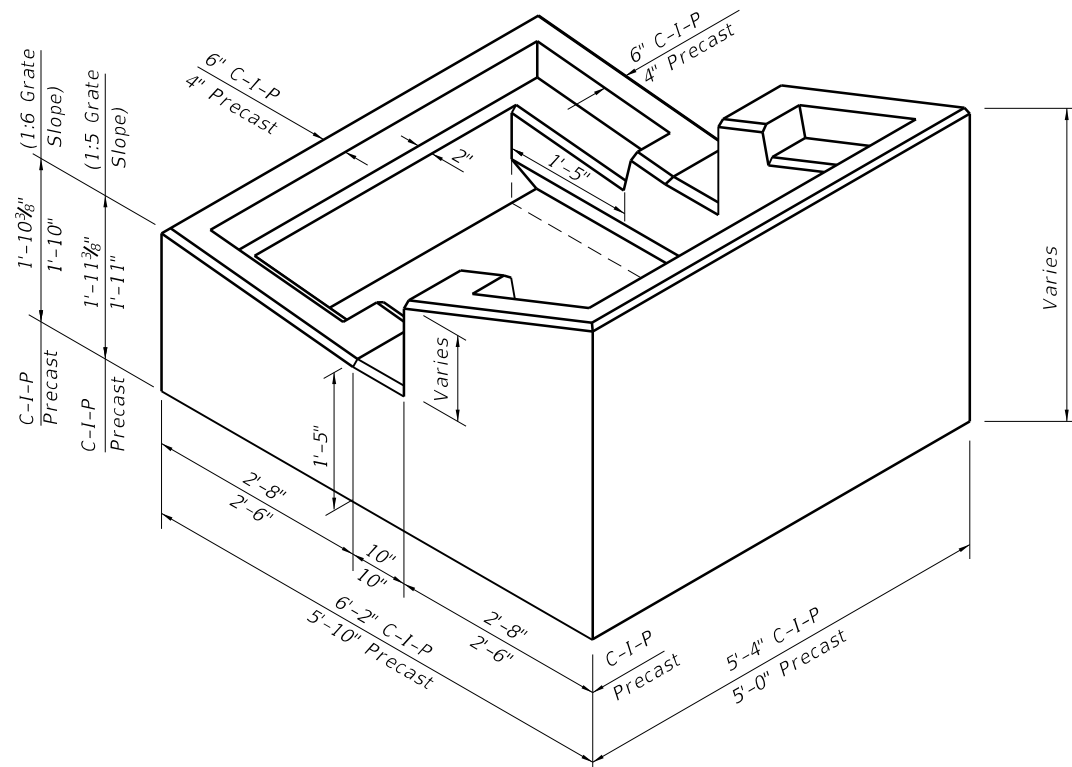
SECTION FOR INLETS TYPES 3, 4 & 5 (NON-SYMMETRICAL SECTION SHOWN)

\* Const. Joint Permitted Between These Limits See Index No. 201 For Min. Dimensions

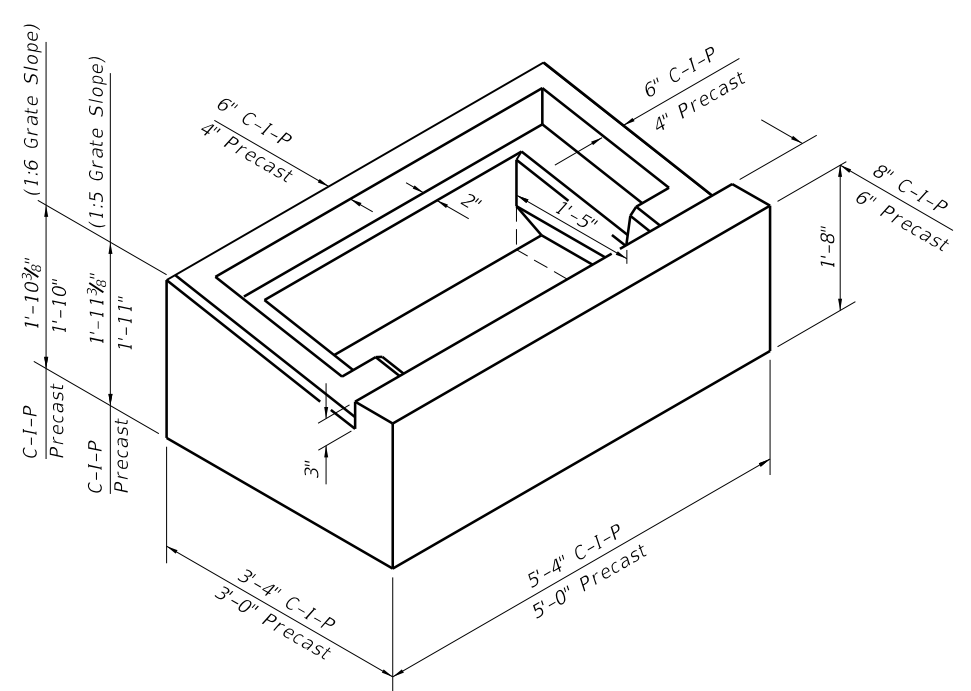
C:\projects\standards\roadway\02200-s\02217-01.dgn 3:18:56 PM 6/24/2013 sm970re



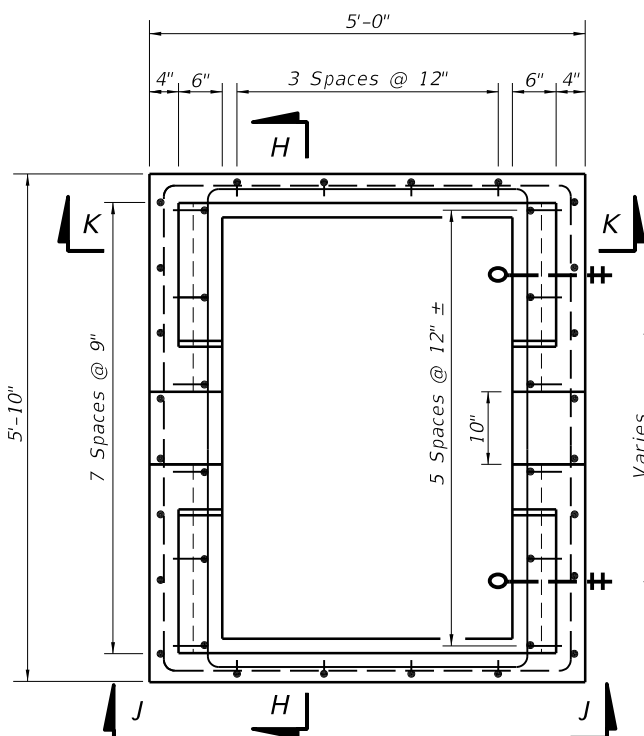
INSET A



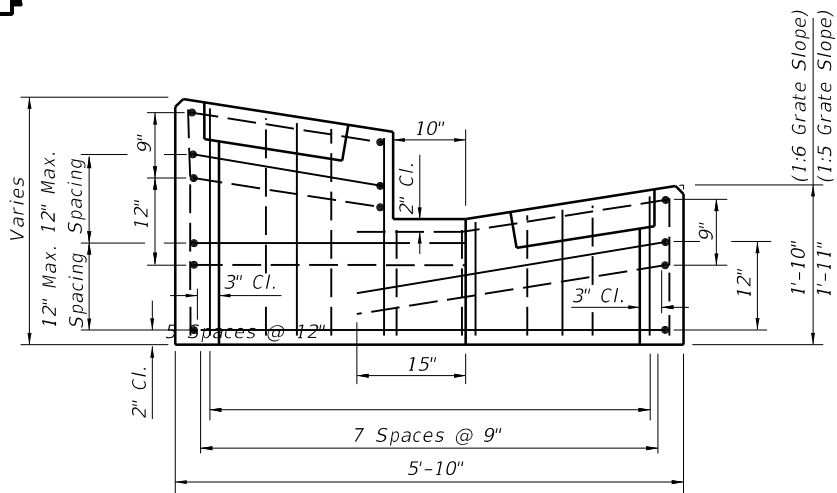
PICTORIAL VIEW OF INLET COLLAR (TYPES 3, 4, & 5)



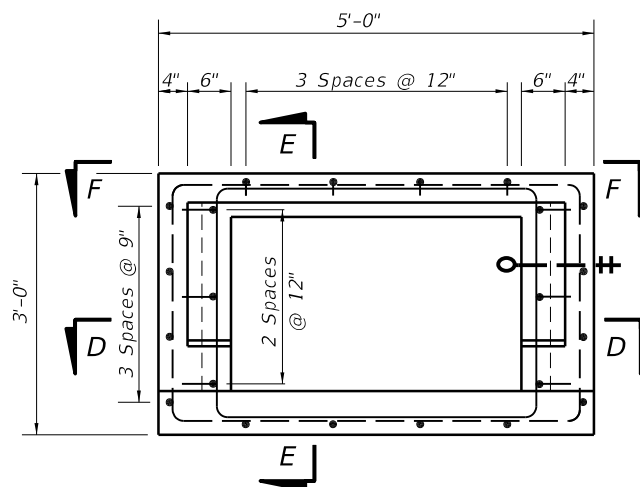
PICTORIAL VIEW OF INLET COLLAR (TYPES 1 & 2)



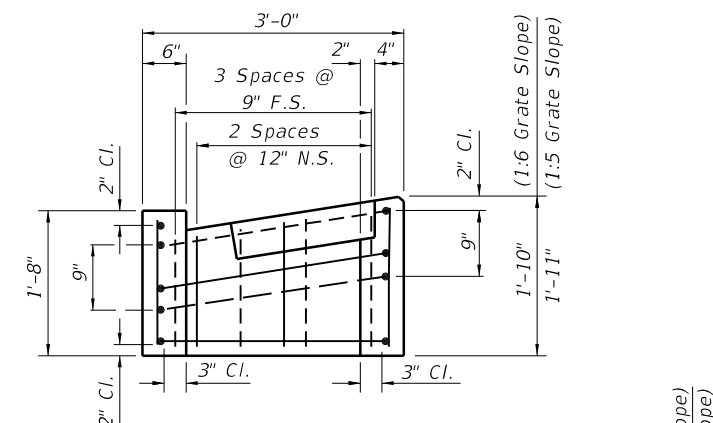
TOP VIEW OF INLET COLLAR WITHOUT GRATE



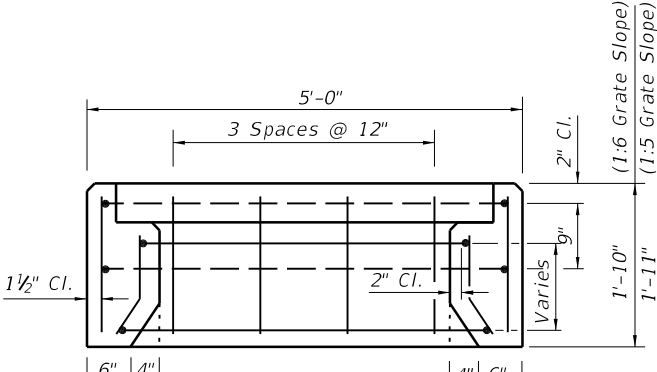
SECTION HH



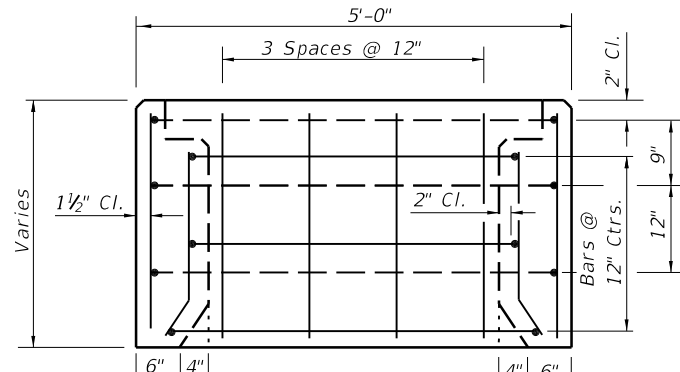
TOP VIEW OF INLET COLLAR WITHOUT GRATE



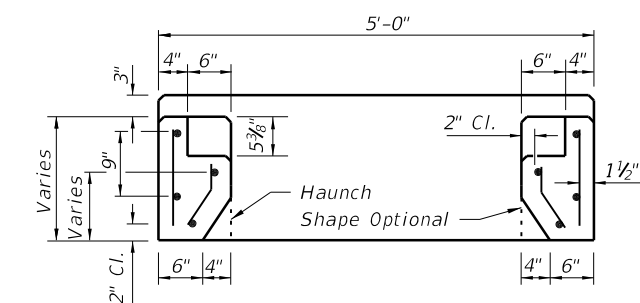
SECTION EE



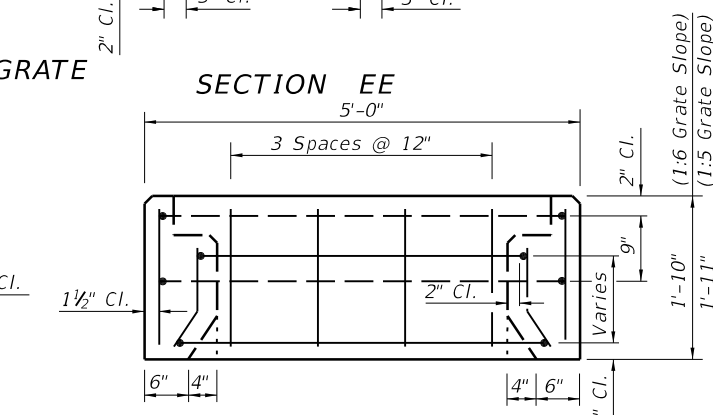
VIEW KK



VIEW JJ



SECTION DD




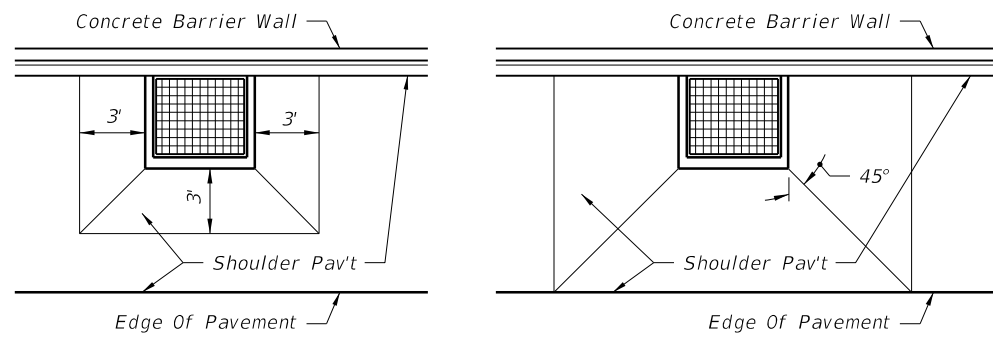
VIEW FF

PRECAST COLLAR REINFORCING DETAILS (TYPES 3, 4 & 5)  
(C-I-P COLLAR REINFORCING DETAILS SIMILAR)

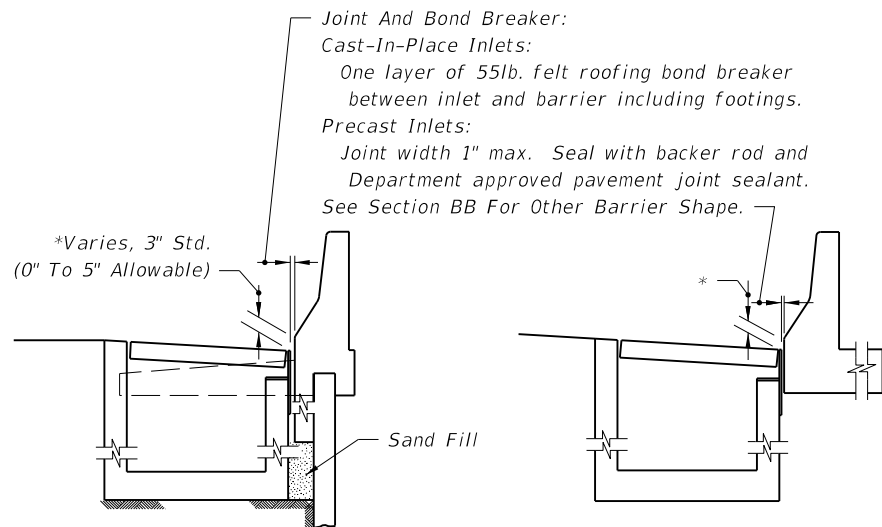
PRECAST COLLAR REINFORCING DETAILS (TYPES 1 & 2)  
(C-I-P COLLAR REINFORCING DETAILS SIMILAR)

6/24/2013 3:18:58 PM sm970re C:\projects\standards\roadway\02200-s\02217-02.dgn

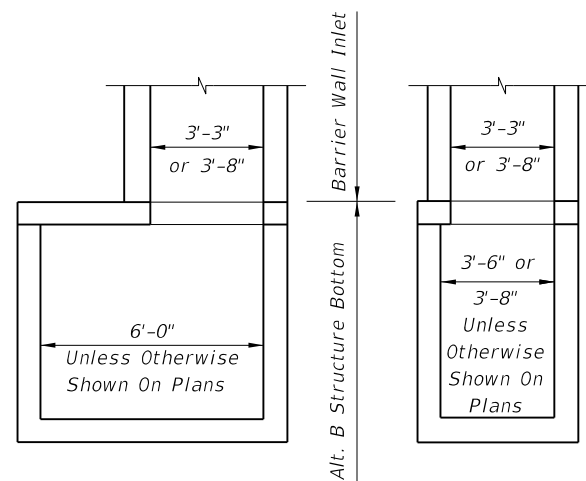
LAST REVISION 07/01/05	REVISION	DESCRIPTION:	 <b>FDOT 2014 DESIGN STANDARDS</b>	<b>MEDIAN BARRIER INLETS TYPES 1, 2, 3 4 AND 5</b>	INDEX NO. <b>217</b>	SHEET NO. <b>2 of 2</b>
---------------------------	----------	--------------	--	--	-------------------------	----------------------------



LOW SIDE SUPERELEVATION PAVEMENT WARP FOR SHOULDERS IN SUPERELEVATION  
HIGH SIDE TRANSITION PAVEMENT WARP FOR SHOULDERS IN SUPERELEVATION

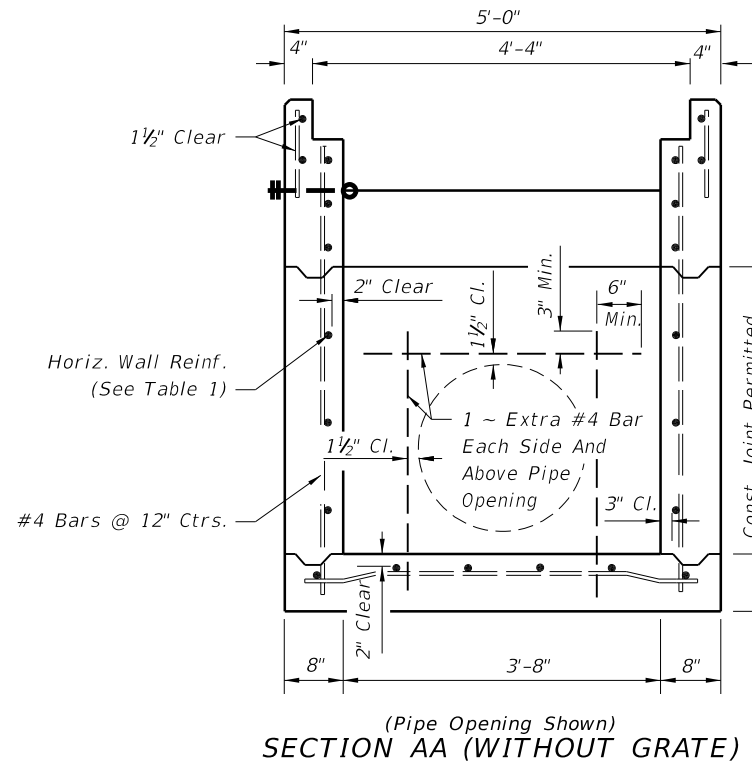


BARRIER WALL / RETAINING WALL SINGLE FACE ROADWAY BARRIER  
INLET SECTION AT WALLS

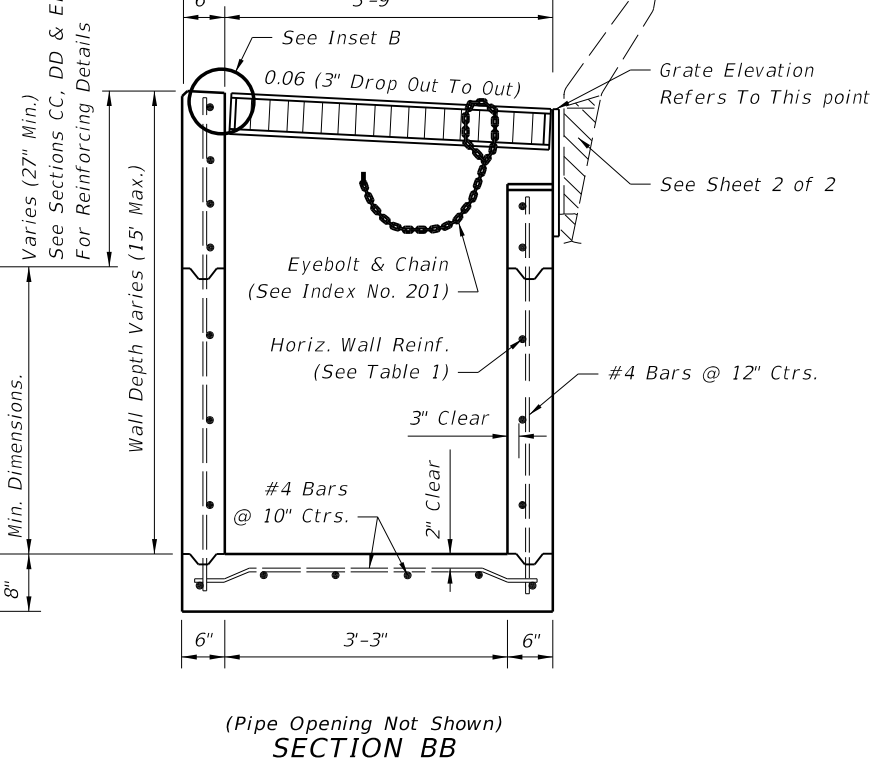


Note: Alt. B Structure Bottom Only. See Index No. 200.

INLET WITH STRUCTURE BOTTOM



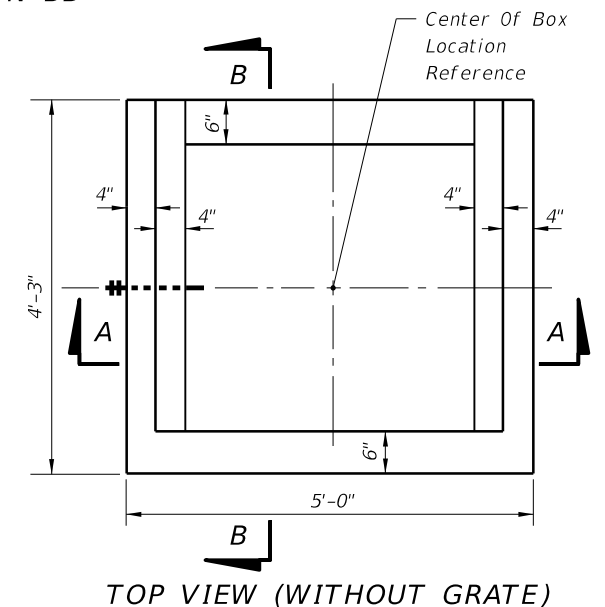
(Pipe Opening Shown)  
SECTION AA (WITHOUT GRATE)



(Pipe Opening Not Shown)  
SECTION BB

GENERAL NOTES

1. This inlet is primarily intended for use adjacent to concrete barrier walls on paved shoulders. Use of the inlet adjacent to other wall types shall be approved by the Drainage Engineer. The inlet is suitable for bicycle and occasional pedestrian traffic, with roller bar installation (see inset B) but should not be placed in a designated pedestrian travel way. It is not intended for use in curb and gutter or other areas where throated inlets are required, nor areas subject to high debris.
2. Inlets located in embankments constructed with earth anchored retaining wall shall be designed with minimum depths to reduce adverse impact on the anchorage system. Runs of pipe parallel to and near anchored wall shall be avoided wherever practical. Special coordination must be exercised during the design and construction of storm water systems within anchored wall systems.
3. Inlet bottoms and/or tops may be either precast or cast-in-place. Whether cast as a single unit or as multiple segments, and whether precast or cast-in-place, the upper 2'-3" of the inlet shall be reinforced in accordance with sections CC, DD and EE.
4. All exposed edges and corners shall be 3/4" chamfer or tooled to 1/4" radius.
5. When Alternate G grate is specified in the plans, the grate is to be hot-dip galvanized after fabrication. Field installation of the filler bar called for in Inset B will not be permitted, thereby requiring tolerance adjustment during fabrication and/or casting, or, matching grate to structure prior to galvanizing.
6. All reinforcing is Grade 60 bars. See Index No. 201 for equivalent area of welded wire fabric.
7. All dimensions are for both precast and cast-in-place inlets unless otherwise noted.
8. For supplemental details see Index Nos. 200 and 201.
9. Inlets to be paid for under the contract unit for Inlets (Barrier Wall), Each.



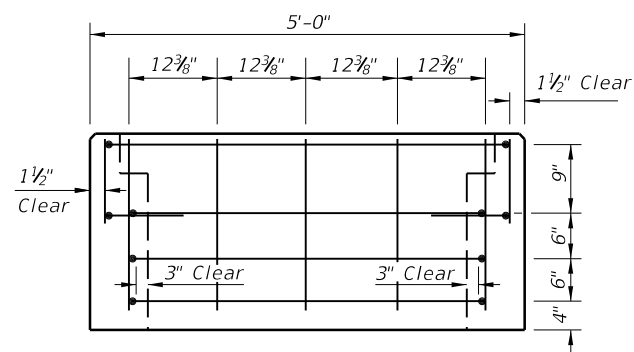
TOP VIEW (WITHOUT GRATE)

HORIZONTAL WALL REINFORCING SCHEDULE (TABLE 1)

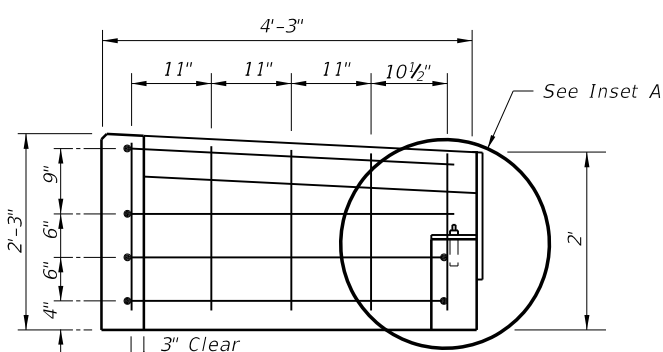
WALL DEPTH	SCHEDULE	AREA (in. <sup>2</sup> /ft.)	MAX. SPACING	
			BARS	WWF
0'-5'	A12	0.20	12"	8"
5'-10'	A6	0.20	6"	5"
10'-15'	A4	0.20	4"	3"
10'-15'	B5.5	0.24	5 1/2"	5"

C:\projects\standards\roadway\00200-s\00218-01.dgn smg70re 3:19:00 PM 6/24/2013

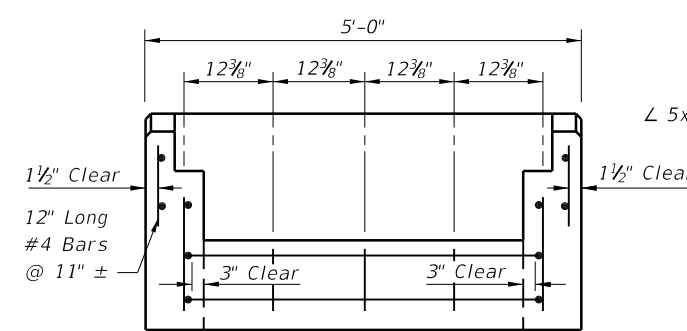
C:\projects\standards\roadway\00200-s\00218-02.dgn  
 sm970re  
 3:19:02 PM  
 6/24/2013



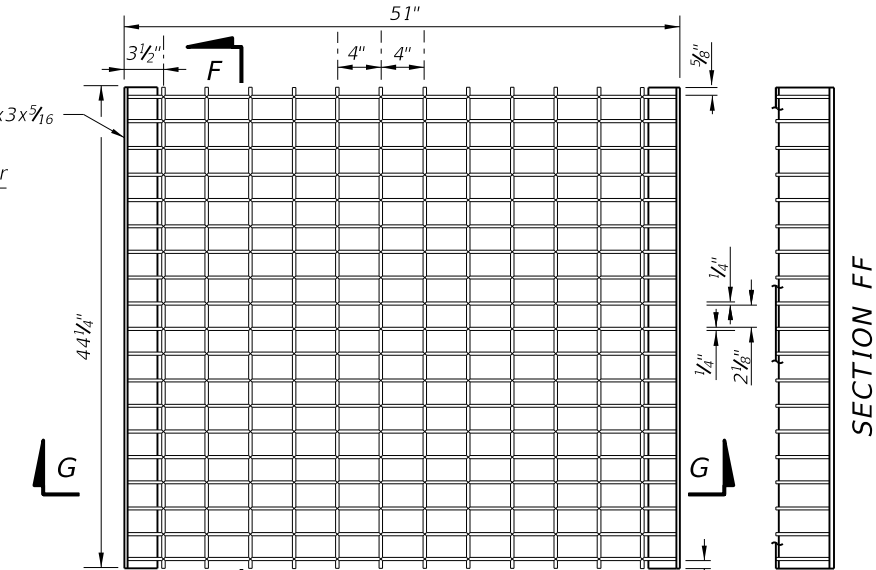
SECTION CC



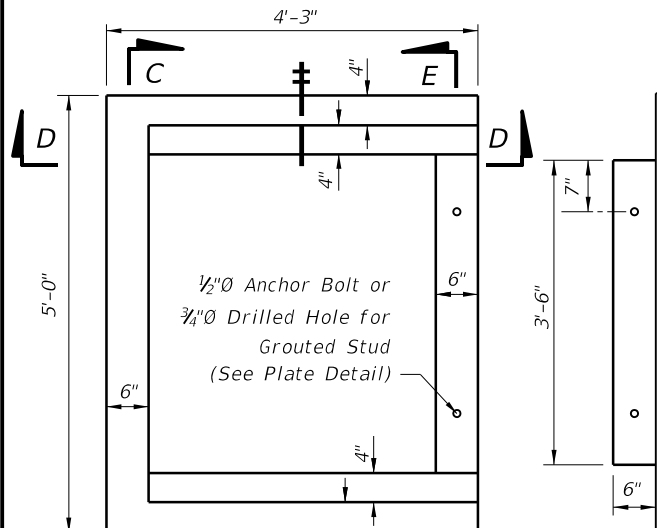
SECTION DD



SECTION EE

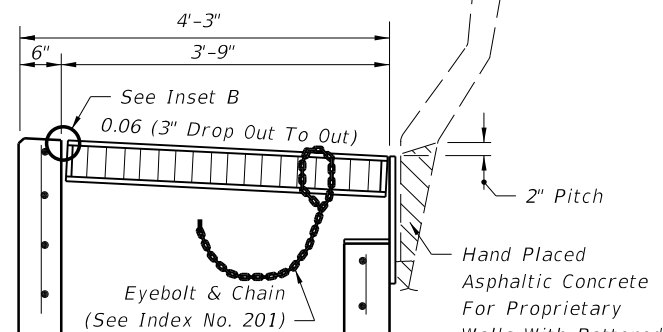


SECTION FF  
 Main Bars: 5" x 1/4"  
 Cross Bars: Either 3/8" Electroforged or 1/2" Welded  
 TOP VIEW

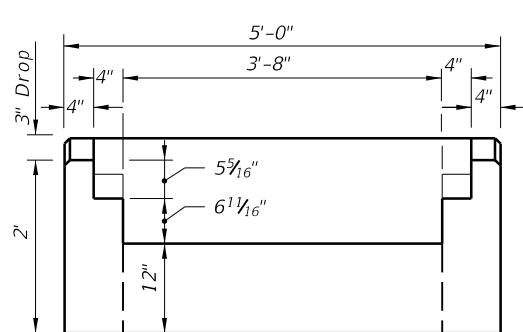


TOP VIEW OF INLET WITHOUT GRATE

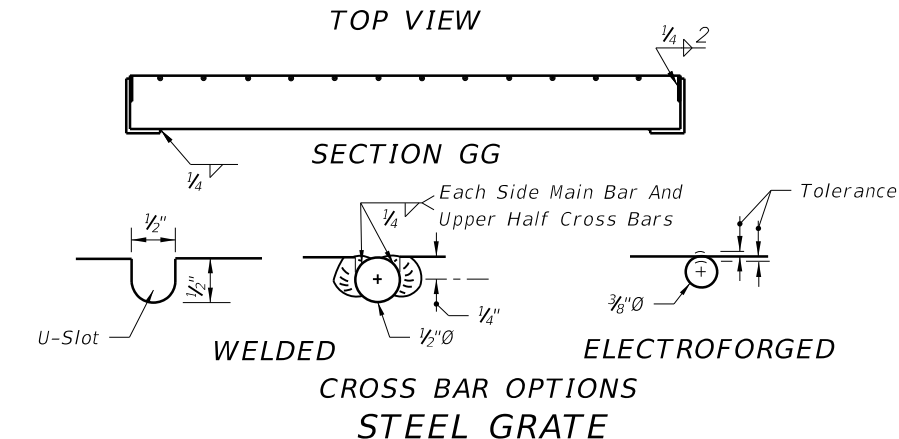
TOP VIEW OF METAL PLATE



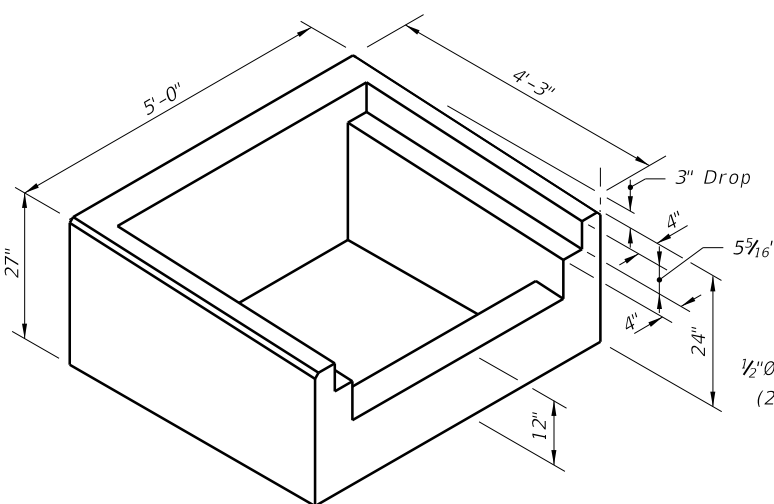
TRANSVERSE SECTION WITH GRATE & PLATE



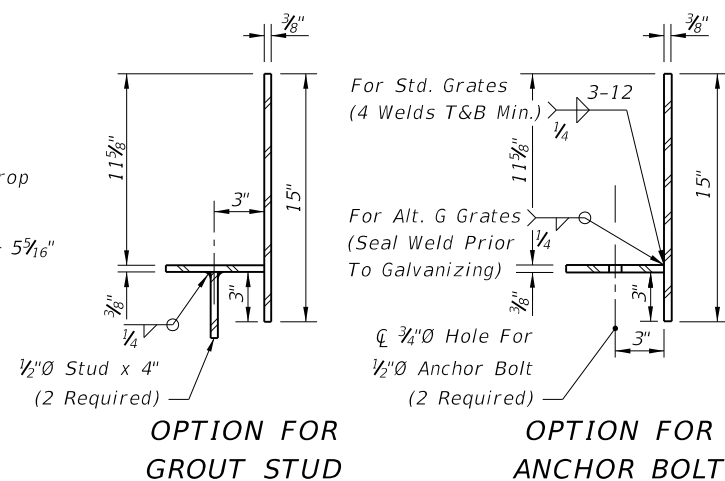
BACK VIEW WITHOUT BACK PLATE



CROSS BAR OPTIONS STEEL GRATE



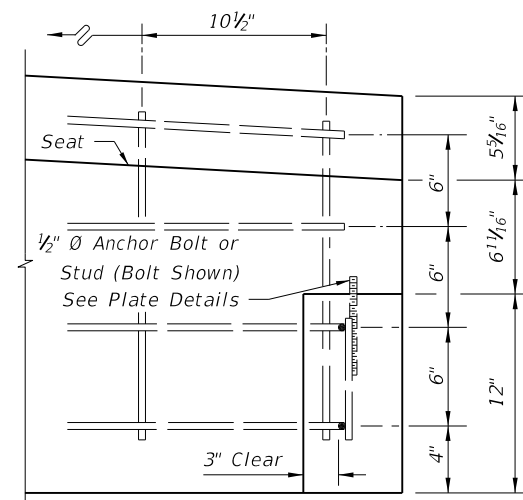
PICTORIAL VIEW OF INLET COLLAR



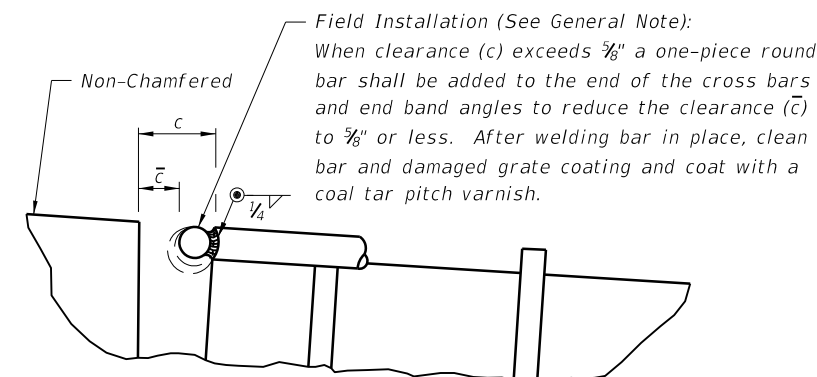
OPTION FOR GROUT STUD

OPTION FOR ANCHOR BOLT

TRANSVERSE SECTIONS THRU BACKWALL PLATE



INSET A



INSET B

NOTES

- All bars #4.
- Anchor bolts shall be either ASTM A307 hex head bolts cast-in-place, or ASTM A36 or F1554 (Grade 36) galvanized fully threaded rod, adhesive bonded anchors installed in accordance with Specification Section 416. Bolts or rods shall be 6" long (4" min. embedment) with one heavy hex head nut (ASTM 194 or A563) and one flat washer (ASTM F436) each. All anchor bolts, nuts and washers shall be hot-dip galvanized.

LAST REVISION  
07/07/09

DESCRIPTION:

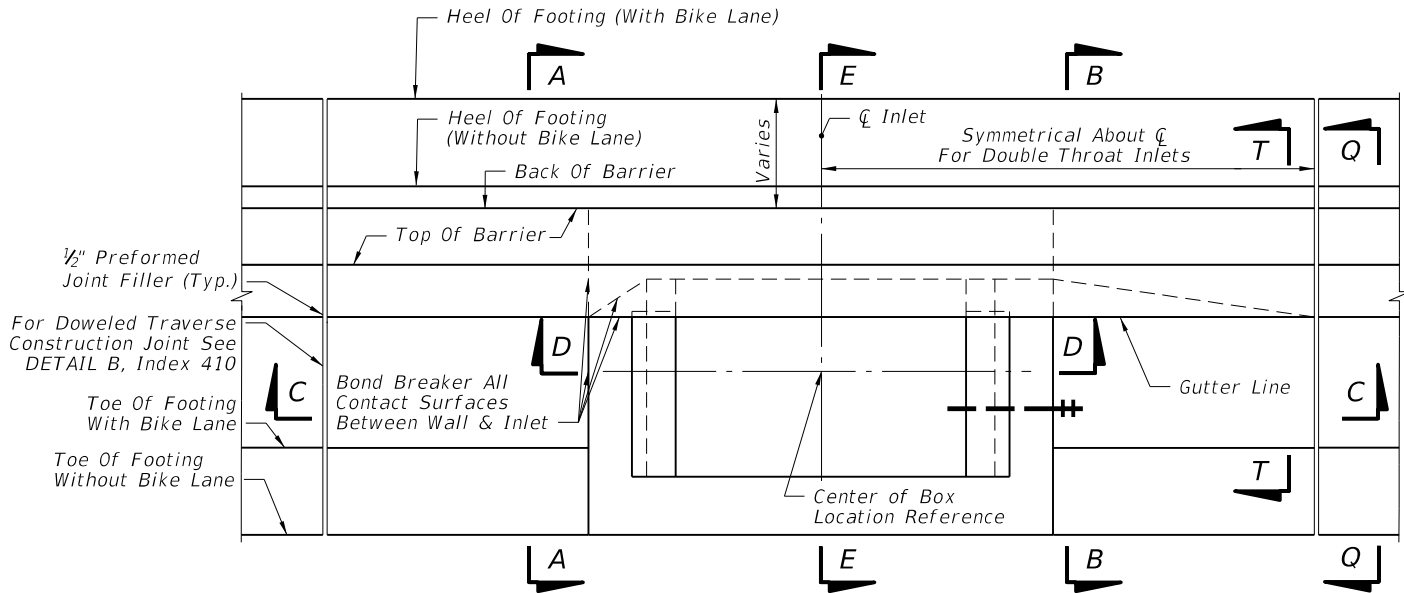
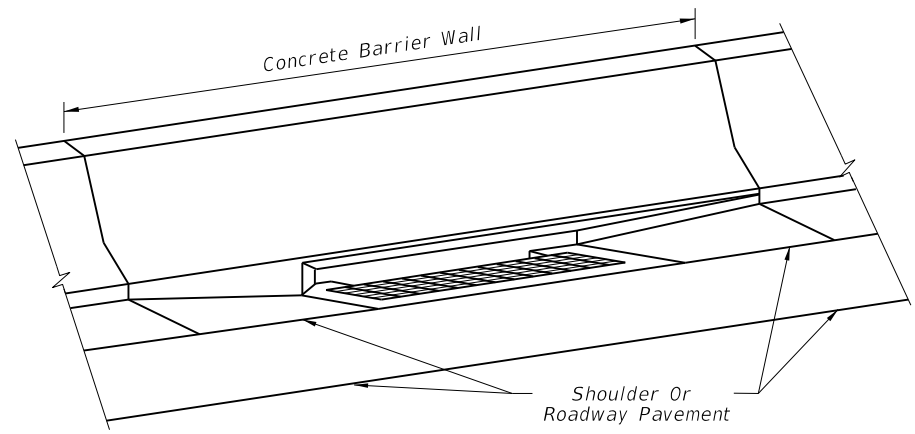


FDOT 2014  
DESIGN STANDARDS

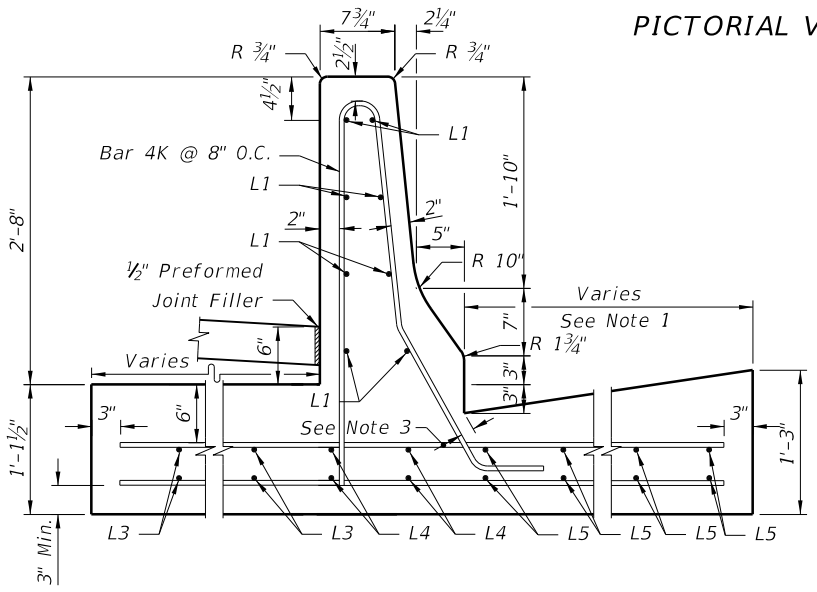
BARRIER WALL INLET

INDEX NO.  
218

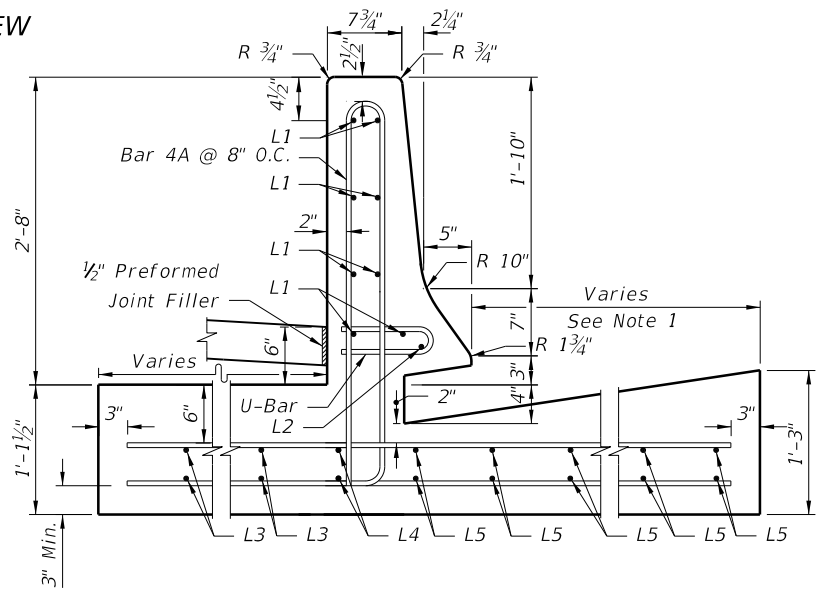
SHEET NO.  
2 of 2



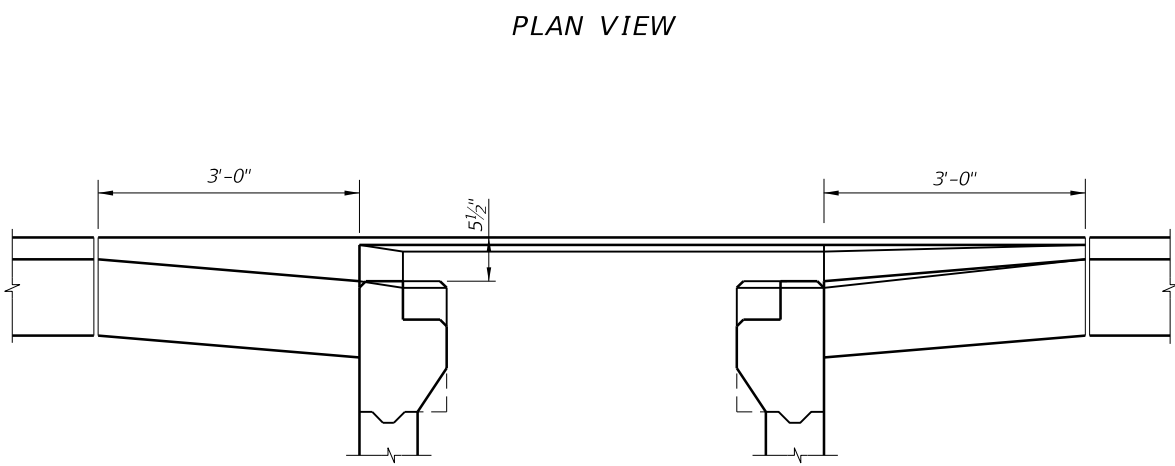
NOTE: For Sections QQ & TT, see Index 410.



SECTION AA



SECTION BB



SECTION CC

PICTORIAL VIEW


PLAN VIEW

- NOTES:
1. Distance = 1'-6" With Bike Lane, Or 2'-6" Without Bike Lane.
  2. For Double Throat Inlet, Section BB replaces Section AA.
  3. Field Bend Bar 4K To Maintain 2" Minimum Concrete Cover.

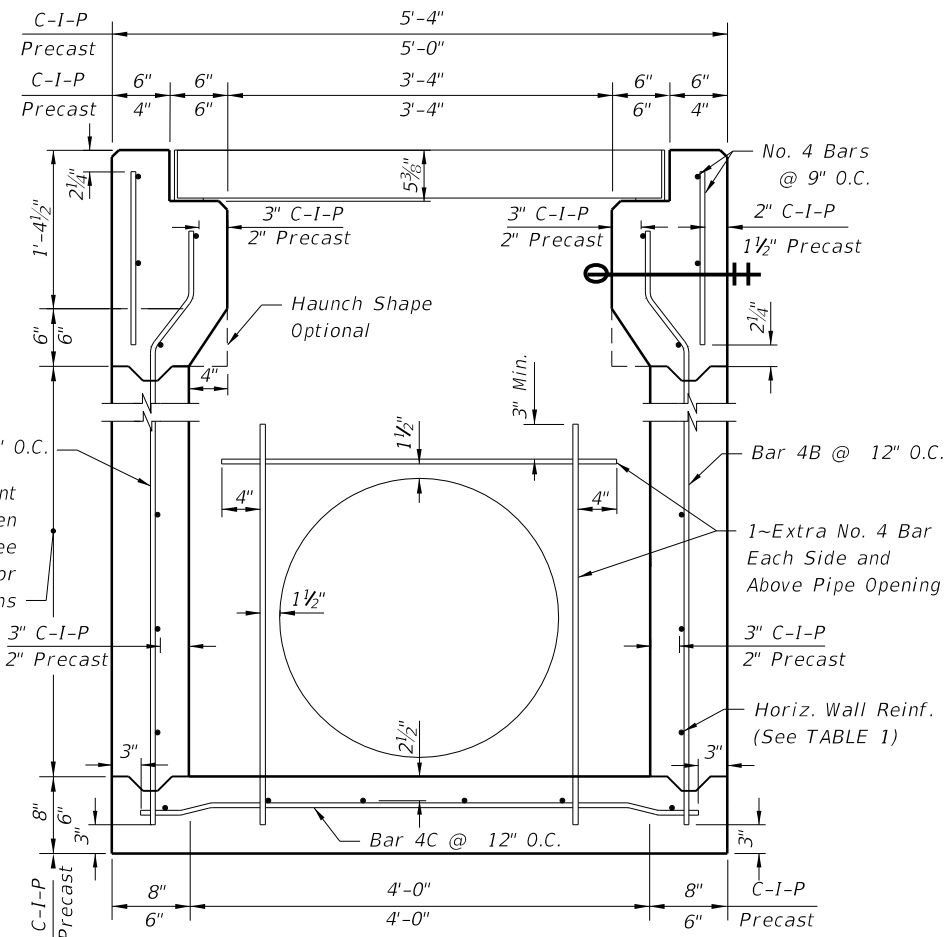
GENERAL NOTES

1. This inlet to be used in conjunction with Concrete Barrier Wall, Curb and Gutter, Index No. 410. The inlet is suitable for bicycle and occasional pedestrian traffic with extended crossbar or bar stub (see INSETS B & B ALTERNATE). Inlet should not be placed in a pedestrian way.
2. All reinforcing is Grade 60 bars. For equivalent area of welded wire fabric for inlet, see Index No. 201. Reinforcing shall have 2" min. cover unless otherwise shown. Bars shall be trimmed or bent to provide 1/2" clearance around pipe openings. Cost for additional reinforcing in barrier wall to be included in cost of concrete barrier wall.
3. Barrier wall shall be Class II Concrete, finished surface in accordance with General Note 1, Sheet 1, Index No. 410.
4. All exposed edges and corners shall be 3/4" chamfer or tooled to 1/4" radius.
5. A flat 18"x2 1/2" drainage slot shall be constructed at the inlet centerline when the inlet is located in a curb sag. For drainage slot construction, no more than two bars shall be trimmed or deleted such as type: 4A, 4K, and U-Bar. On each side of drainage slots, vertical & horizontal bars shall be placed to provide 2" concrete cover.
6. Recommended maximum pipe sizes are 18" longitudinal and 30" transverse. For larger pipe, use Alternate B bottoms, Index No. 200.
7. Grates can be fabricated with reticulate bars or with either 1/2" welded or 3/8" electroforged cross bars and bearing bars as detailed on Sheet 3.
8. When Alternate G grate is specified in plans, the grate is to be hot-dip galvanized after fabrication according to Specification 962-9.
9. For Pay Item purposes, the depth of the barrier wall inlet shall be computed using the center of box grate elevation, less the flow line elevation of the lowest pipe flow line or to the top of the sump floor elevation.
10. All dimensions are for both precast and C-I-P inlets unless otherwise noted.
11. Inlets to be paid for under the contract unit price for Inlets, Barrier Wall, Rigid, Curb & Gutter, Each.
12. Concrete Barrier Wall to be paid for under the contract unit price for Shoulder Concrete Barrier Wall, Rigid-Curb & Gutter, LF.

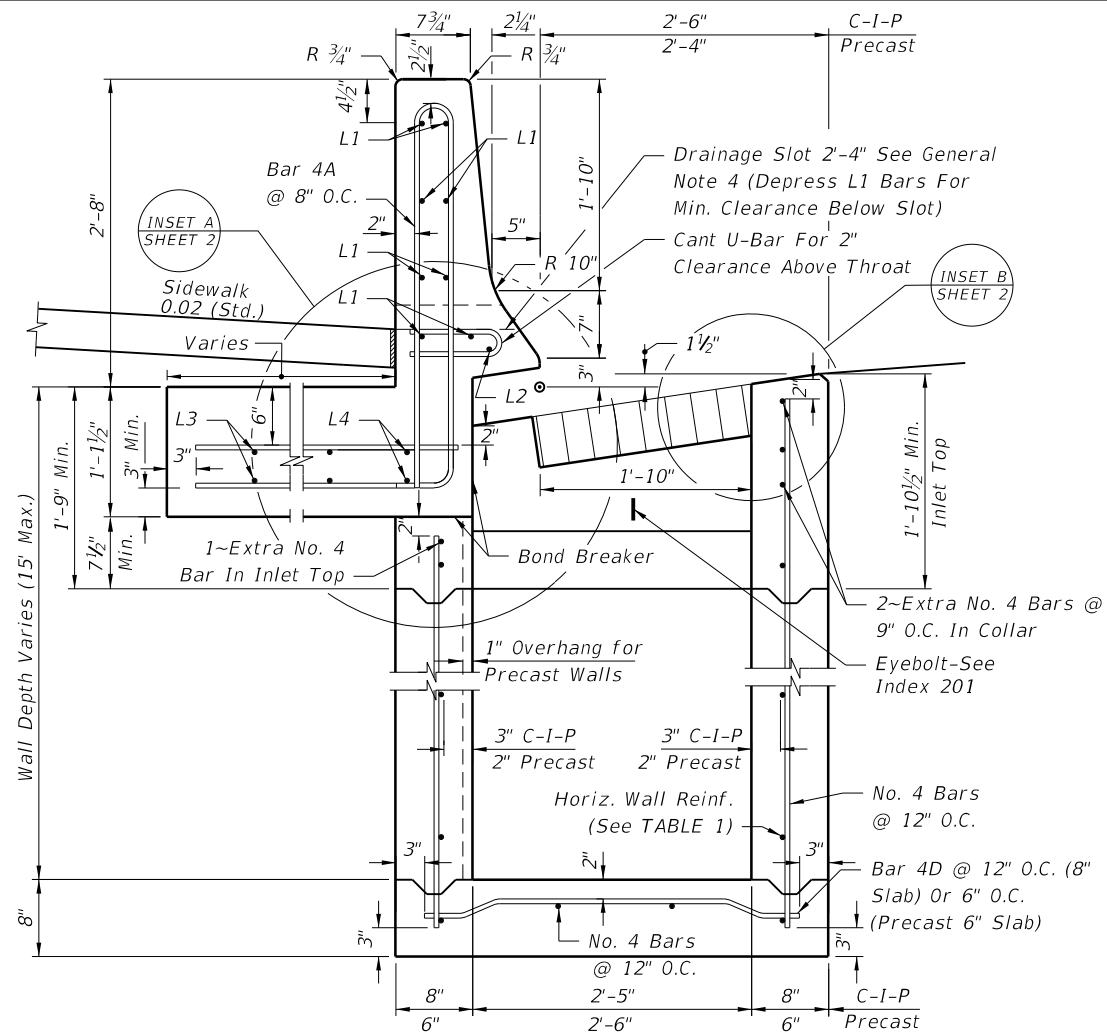
C:\projects\standards\roadway\02200-s\02219-01.dgn smg70re 3:19:04 PM 6/24/2013

LAST REVISION	01/01/12	DESCRIPTION:	 <p><b>FDOT 2014 DESIGN STANDARDS</b></p>	<p><b>CONCRETE BARRIER WALL INLET</b></p>	INDEX NO. <b>219</b>	SHEET NO. <b>1 of 3</b>
---------------	----------	--------------	--	---	-------------------------	----------------------------

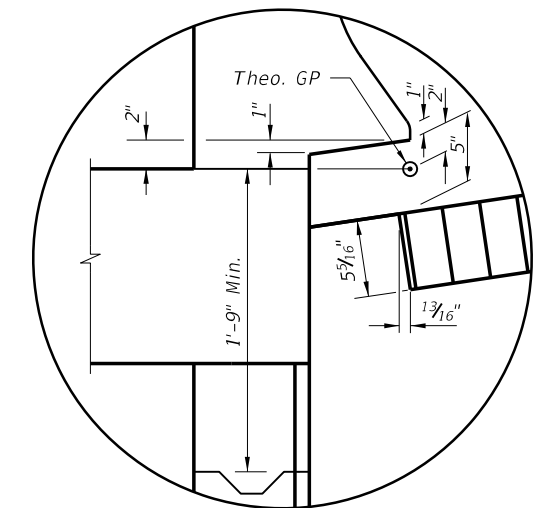
6/24/2013 3:19:07 PM sm970re C:\projects\standards\roadway\00200-s\00219-02.dgn



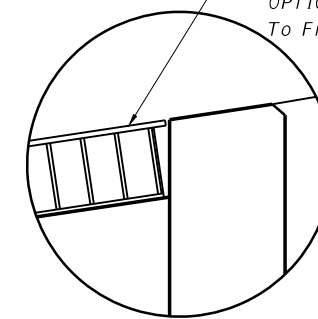
(18" Dia. Pipe Opening Shown)  
**SECTION DD**



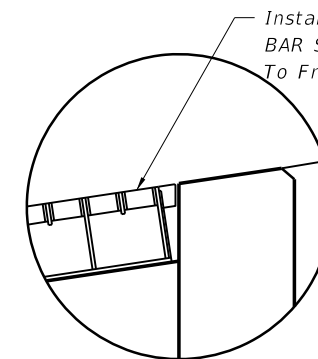
(Pipe Opening Not Shown)  
**SECTION EE**



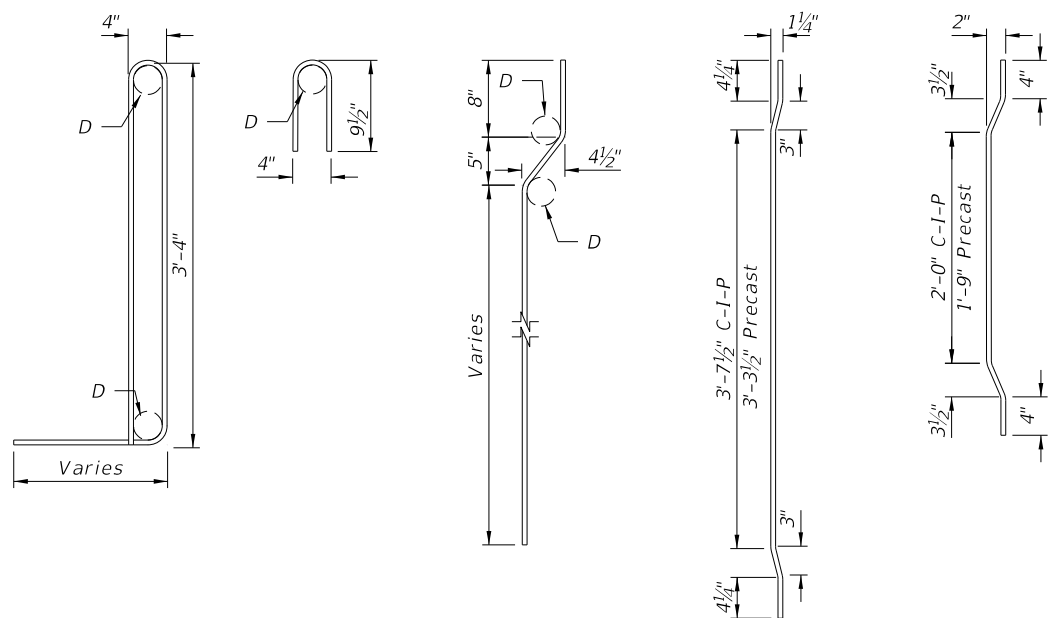
**INSET A**  
Install Grate With Extended CROSSBAR OPTIONS (Sheet 3) To Front Of Inlet



**INSET B**  
Install Grate With BAR STUB (Sheet 3) To Front Of Inlet



**INSET B (ALTERNATE)**



**BAR 4A      U-BAR      BAR 4B      BAR 4C      BAR 4D**  
BAR BENDING DIAGRAMS

**REINFORCING NOTES:**

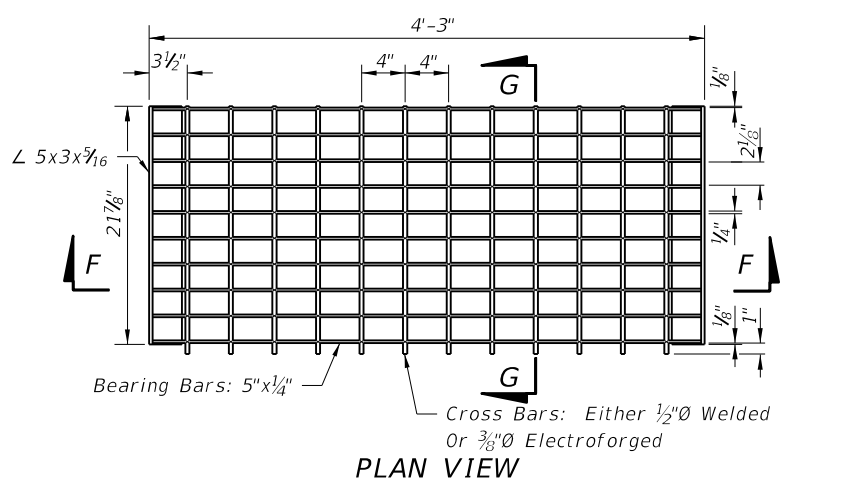
1. Bars L1: Length 11'-1", Straight @ 8" O.C.
2. Bars L2: Length: 8'-4" (Single Throat) 11'-0" (Double Throat) @ 8" O.C.
3. Bars L3 & L4: Length 11'-1" Field Bend For 4" Drop (Top Bars) 3" Drop (Bottom Bars) @ 8" O.C.
4. Bars L5: Length 2'-8" Field Bend For Drop Same As L3 & L4 @ 8" O.C.
5. U Bars @ 8" O.C.

WALL DEPTH C-I-P PRECAST	SCHEDULE	AREA (in. <sup>2</sup> /ft.)	MAX. SPACING	
			BARS	WWR
0'-4"	A12	0.20	12"	8"
4'-9"	A6	0.20	6"	5"
9'-15"	B5.5	0.24	5 1/2"	5"
10'-15"	C6.5	0.37	6 1/2"	6"

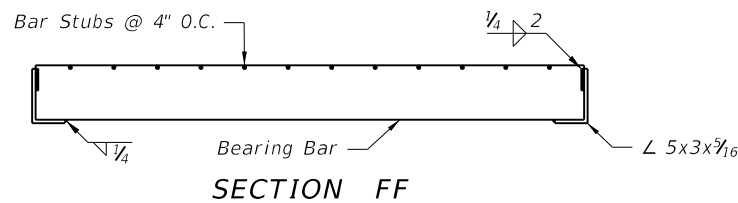
**HORIZONTAL WALL REINFORCING SCHEDULE (TABLE 1)**

**NOTES:**

1. For DOWELED TRANSVERSE CONSTRUCTION JOINT WHEN ABUTTING SEGMENT(S) LESS THAN 40' IN LENGTH, see DETAIL B, Index 410.
2. For Additional Information on "STANDARD BAR BENDING DETAILS," See Index 21300.

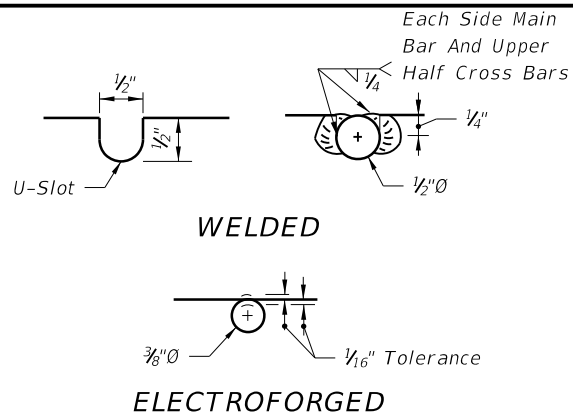


PLAN VIEW

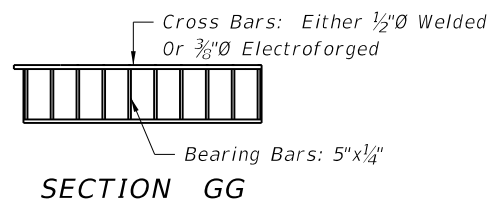


SECTION FF

CROSS BAR GRATE

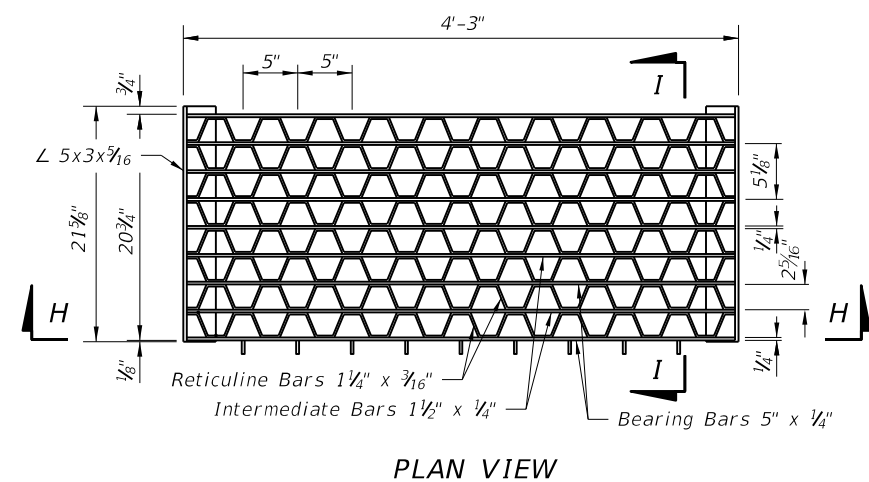


CROSS BAR OPTIONS

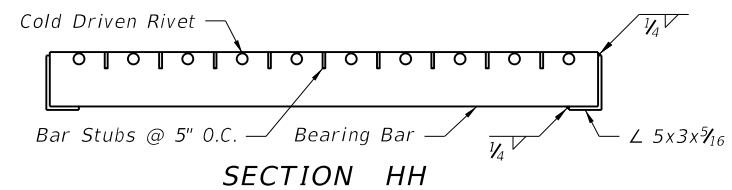


SECTION GG

OPTIONAL STEEL GRATES

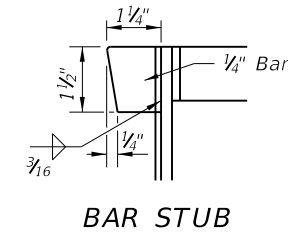


PLAN VIEW

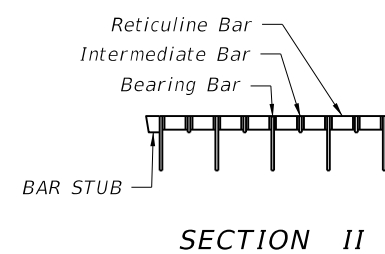


SECTION HH

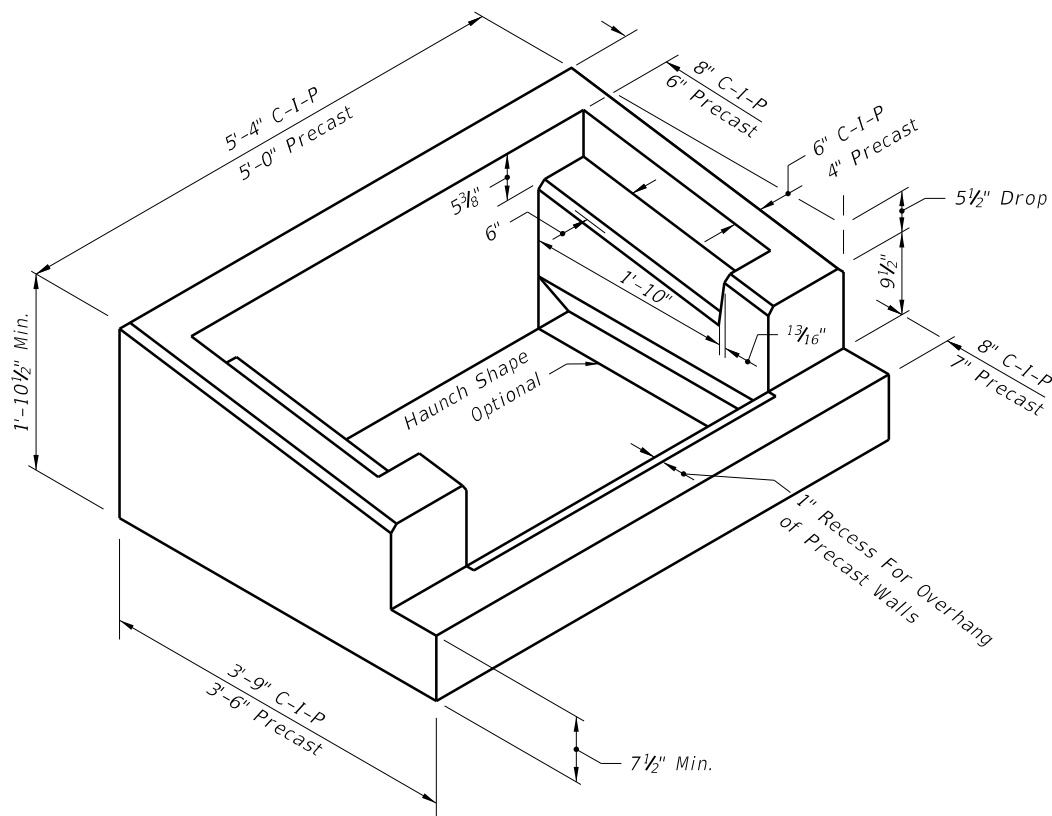
RETICULINE GRATE



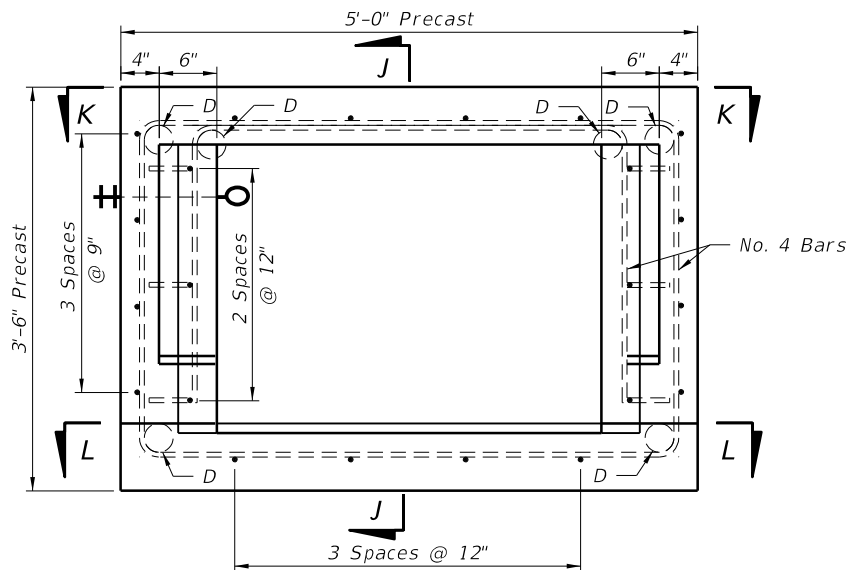
BAR STUB



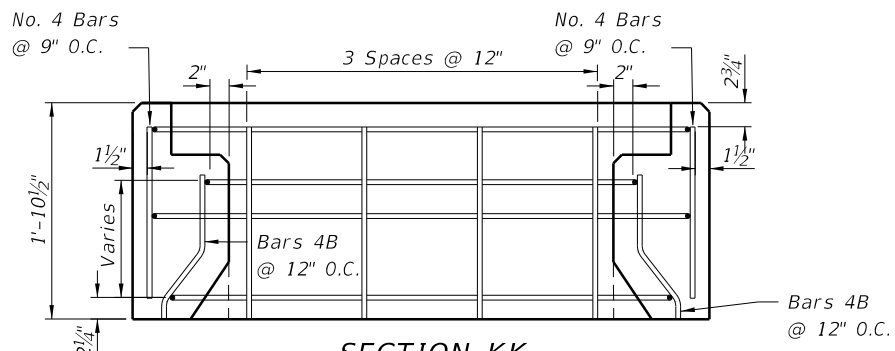
SECTION II



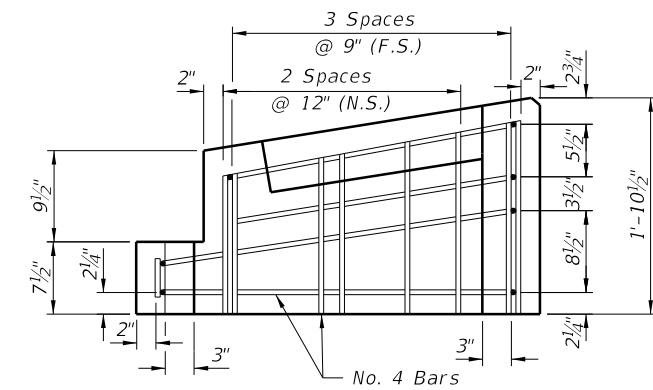
PICTORIAL VIEW OF INLET TOP



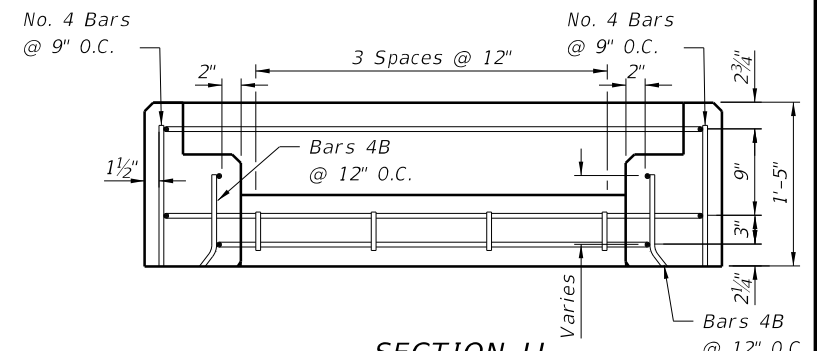
TOP VIEW OF INLET TOP WITHOUT GRATE



SECTION KK



SECTION JJ



SECTION LL

NOTE:  
 1. For additional information on Bar 4B, see BAR BENDING DIAGRAMS (Sheet 2).  
 2. C-I-P Inlet Top Reinforcing Similar

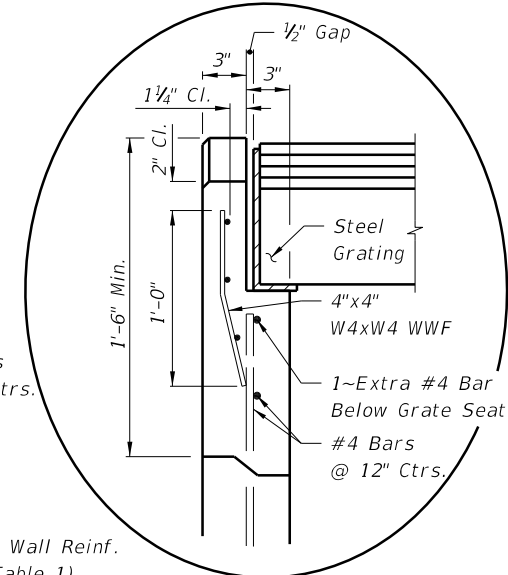
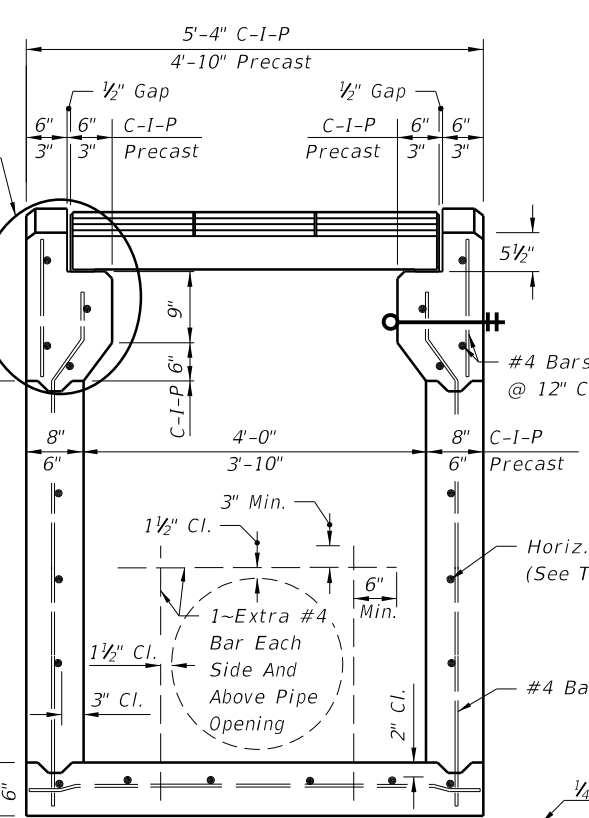
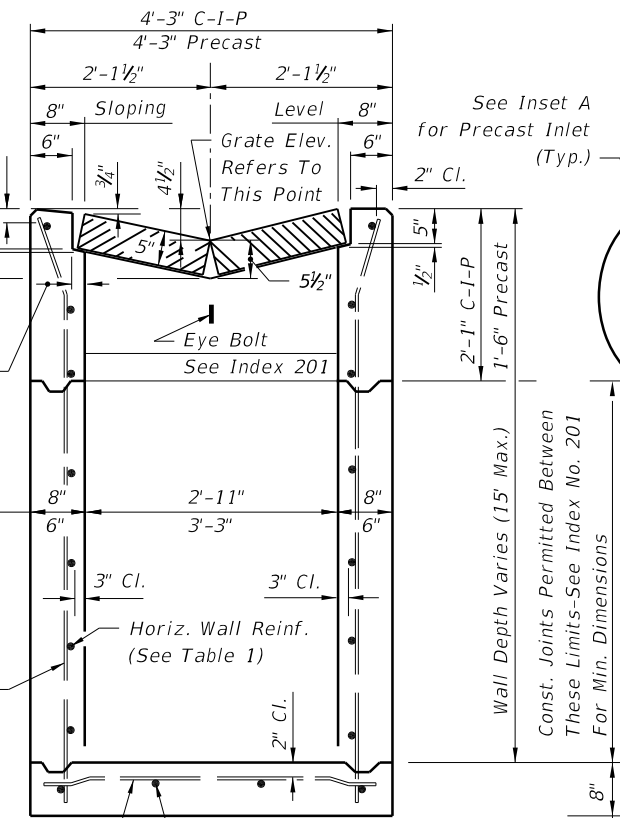
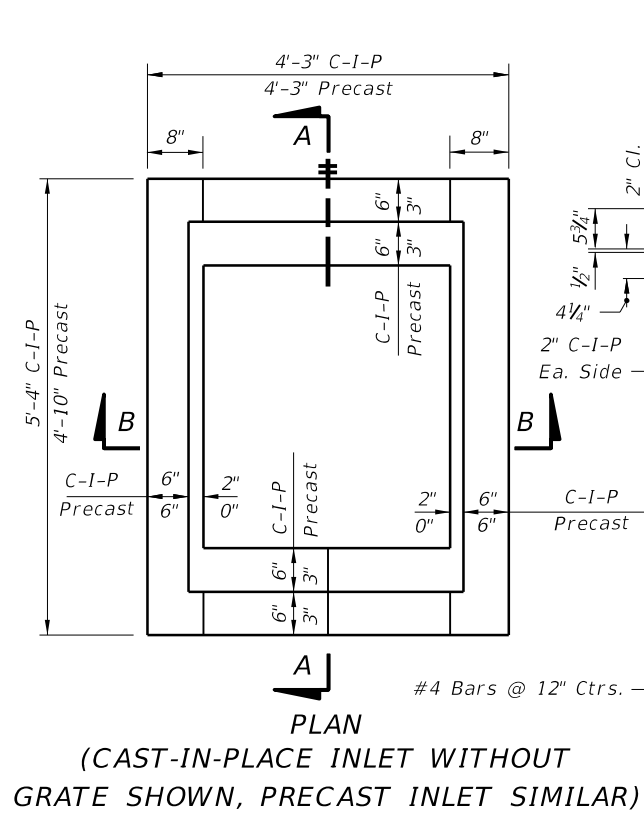
PRECAST INLET TOP REINFORCING DETAILS

6/24/2013 3:19:10 PM sm970re C:\p\projects\standards\roadway\02200-s\02219-03.dgn

LAST REVISION	01/01/12	DESCRIPTION:	 <b>FDOT 2014 DESIGN STANDARDS</b>	<b>CONCRETE BARRIER WALL INLET</b>	INDEX NO. <b>219</b>	SHEET NO. <b>3 of 3</b>
---------------	----------	--------------	---	------------------------------------	-------------------------	----------------------------



C:\projects\standards\roadway\00200-s\00220-01.dgn  
 sm970re  
 3:19:12 PM  
 6/24/2013



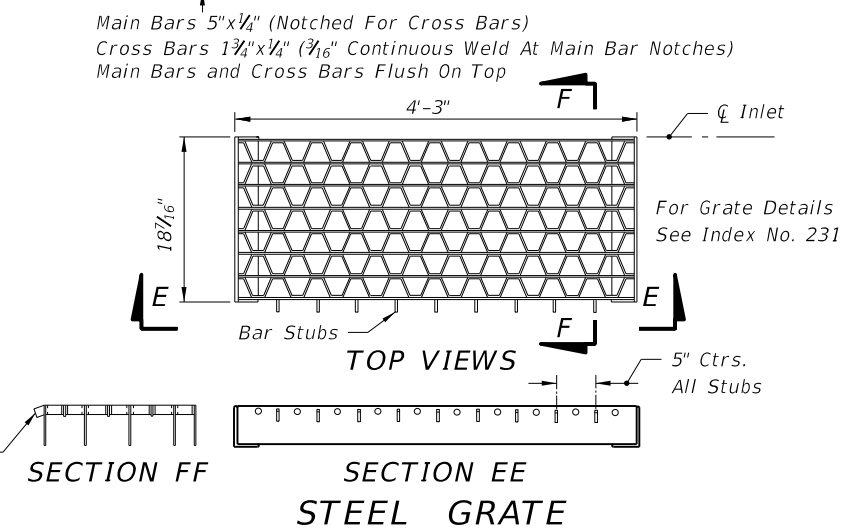
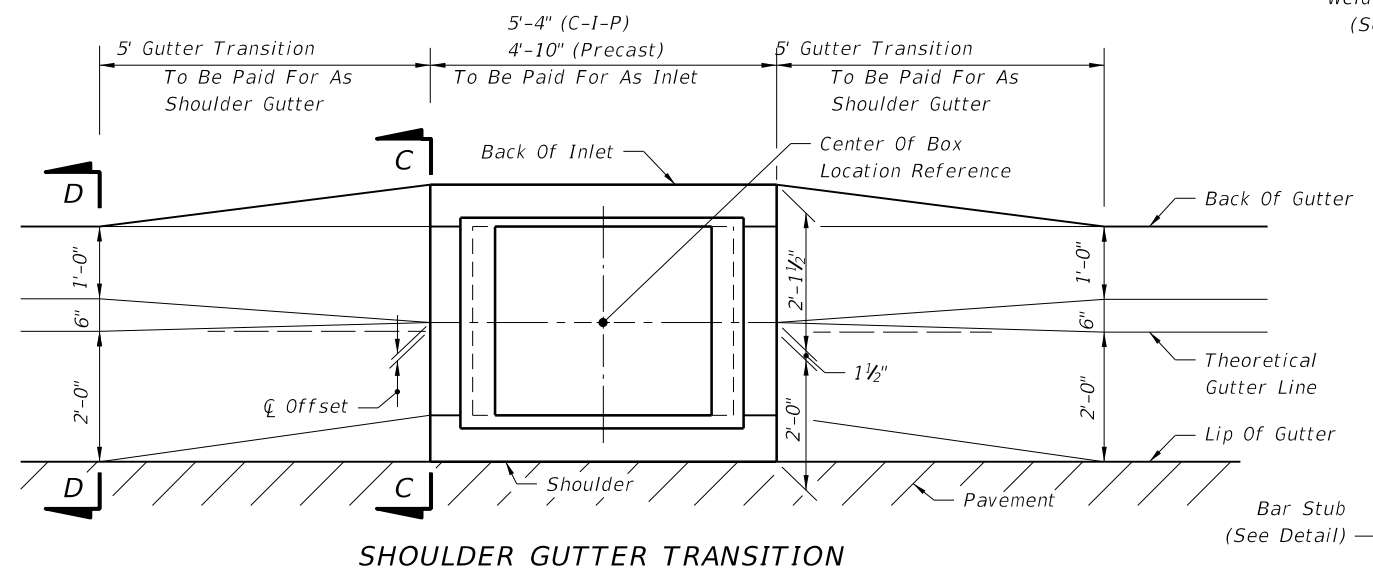
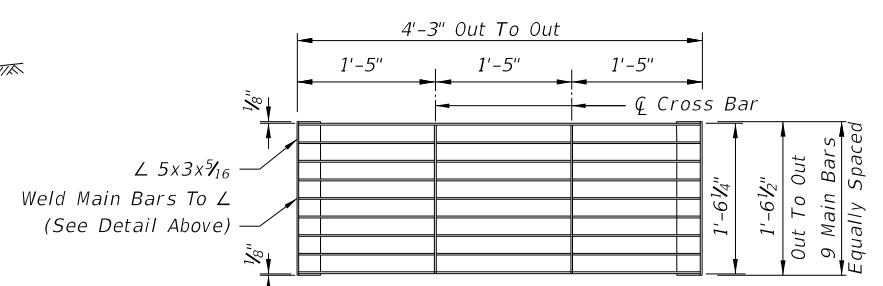
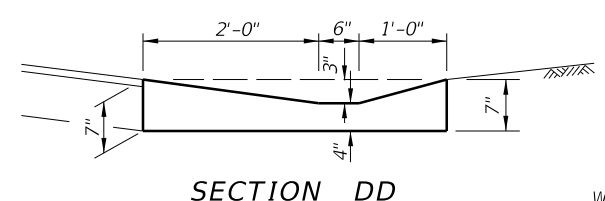
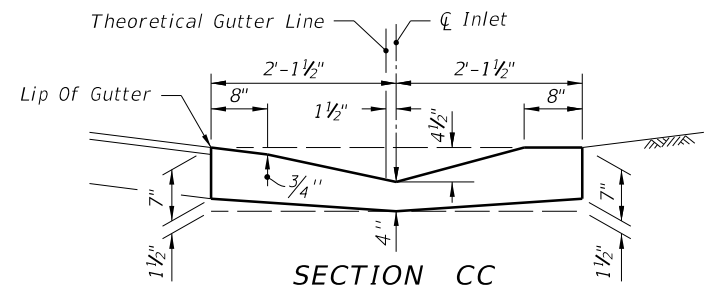
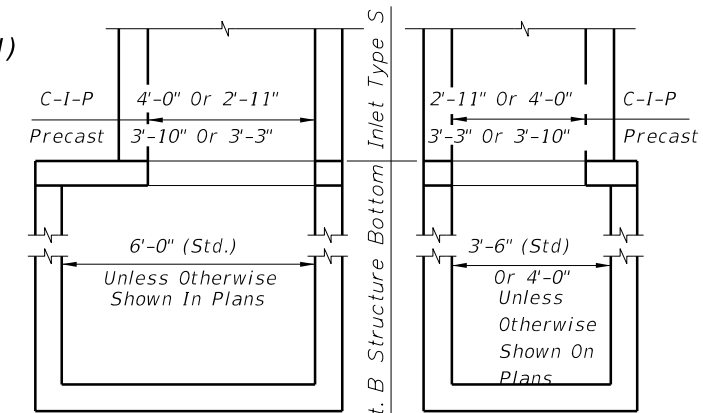
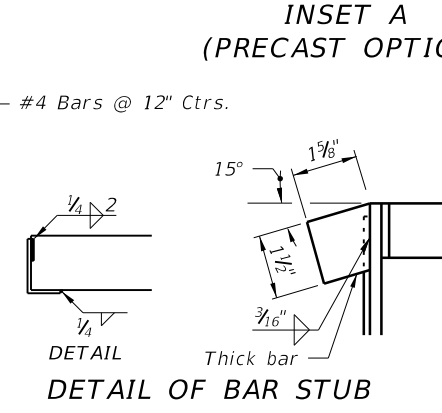
**RECOMMENDED MAXIMUM PIPE SIZES**

INLET INSIDE WIDTH	PIPE SIZE
2'-11" or 3'-3"	24"
4'-0" or 3'-10"	30"

Note: Recommended sizes are for concrete pipe. Sizes for other types of pipe must be verified for fit in accordance with Index No. 201. For larger pipe see bottom detail below and Index No. 200.

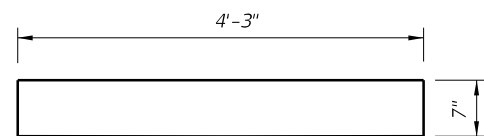
**HORIZONTAL WALL REINFORCING SCHEDULE (TABLE 1)**

WALL DEPTH	SCHEDULE	AREA (in <sup>2</sup> /ft)	MAX. SPACING	
			BARS	WWF
0'-5'	A12	0.20	12"	8"
5'-9'	A6	0.20	6"	5"
9'-12'	A4	0.20	4"	3"
9'-15'	B5.5	0.24	5 1/2"	5"

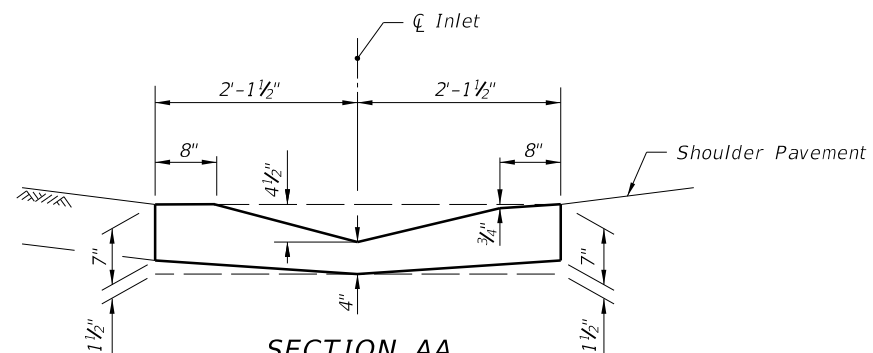


- GENERAL NOTES**
- This inlet is intended for use in shoulder gutter on facilities subject to heavy wheel loads. The parallel bar grate shall be used on limited access facilities. On other facilities the reticuline grate shall be used. Locate inlet outside of pedestrian way.
  - All reinforcing is Grade 60 bars with 2" min. cover unless otherwise noted. See Index No. 201 for equivalent area of welded wire fabric. Bars to be cut or bent for 1 1/2" minimum clearance around pipe.
  - All exposed edges and corners shall be 3/4" chamfer or tooled to 1/4" radius.
  - When Alternate G grate is specified in plans, the grate is to be hot-dip galvanized after fabrication.
  - For supplementary details and notes see Index Nos. 200 and 201.
  - All dimensions are for both precast and cast-in-place inlets unless otherwise noted.
  - Inlets to be paid for under the contract unit price for inlets (Gutter Type S), EA. Cost of concrete apron at terminal inlets to be included in the cost of the inlet.

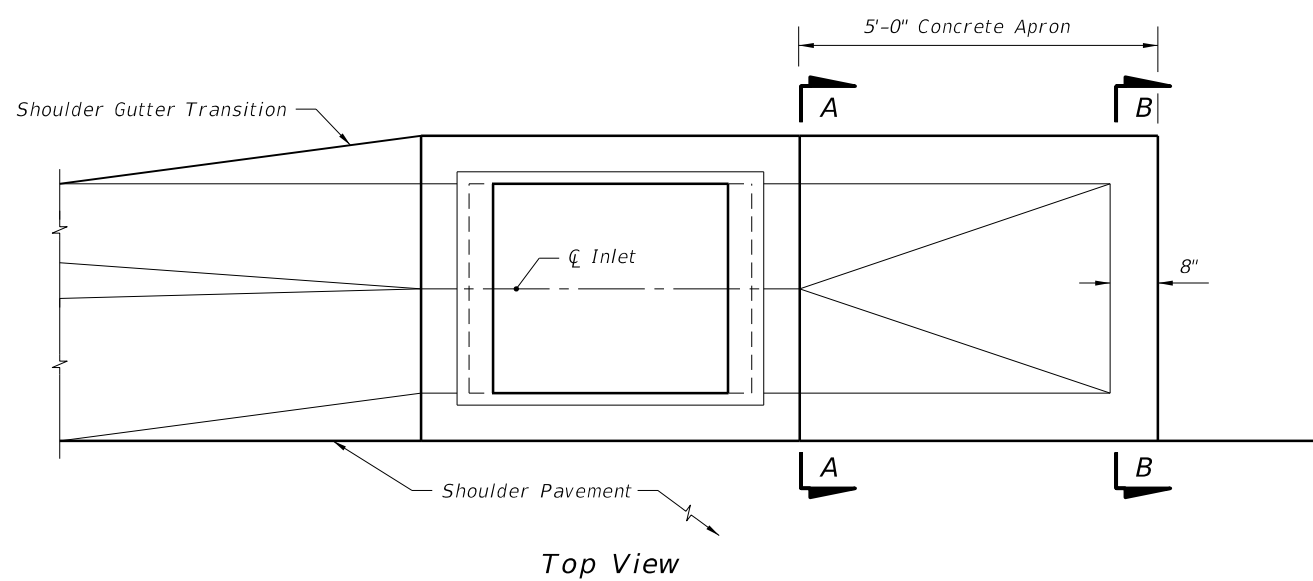
C:\projects\standards\roadway\02200-s\02220-02.dgn  
 sm970re  
 3:19:13 PM  
 6/24/2013



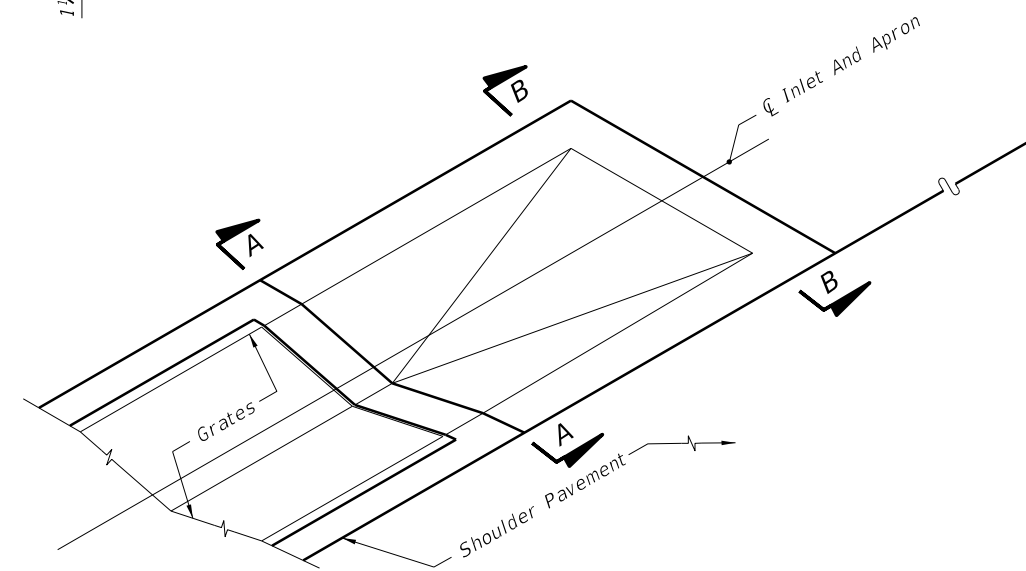
SECTION BB  
(Enlarged)



SECTION AA  
(Enlarged)



Top View



PICTORIAL VIEW

Apron To be Constructed At The Most Downstream Inlet In A Run Of Shoulder Gutter  
**CONCRETE APRON AT TERMINAL INLETS**

LAST REVISION  
07/01/07

REVISION DESCRIPTION:

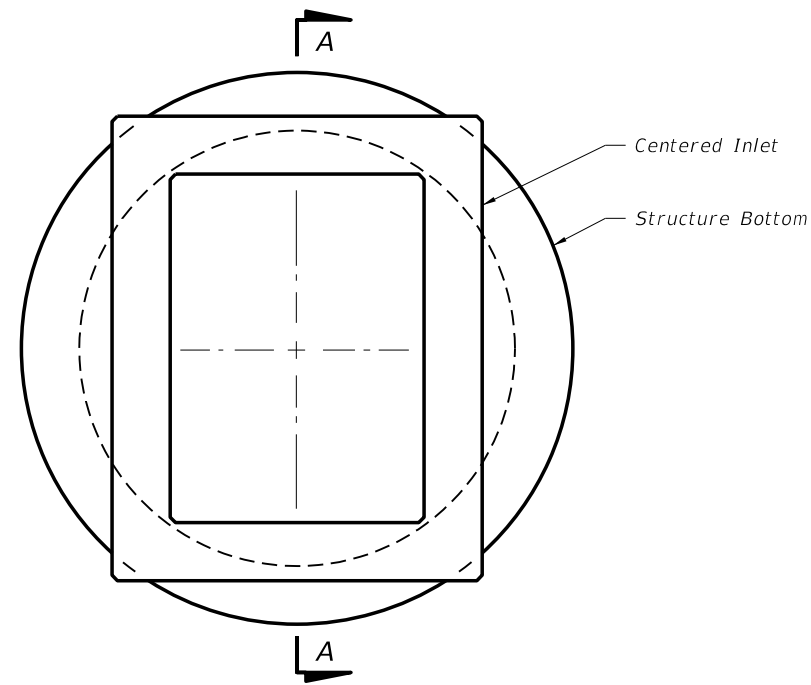


FDOT 2014  
DESIGN STANDARDS

GUTTER INLET TYPE S

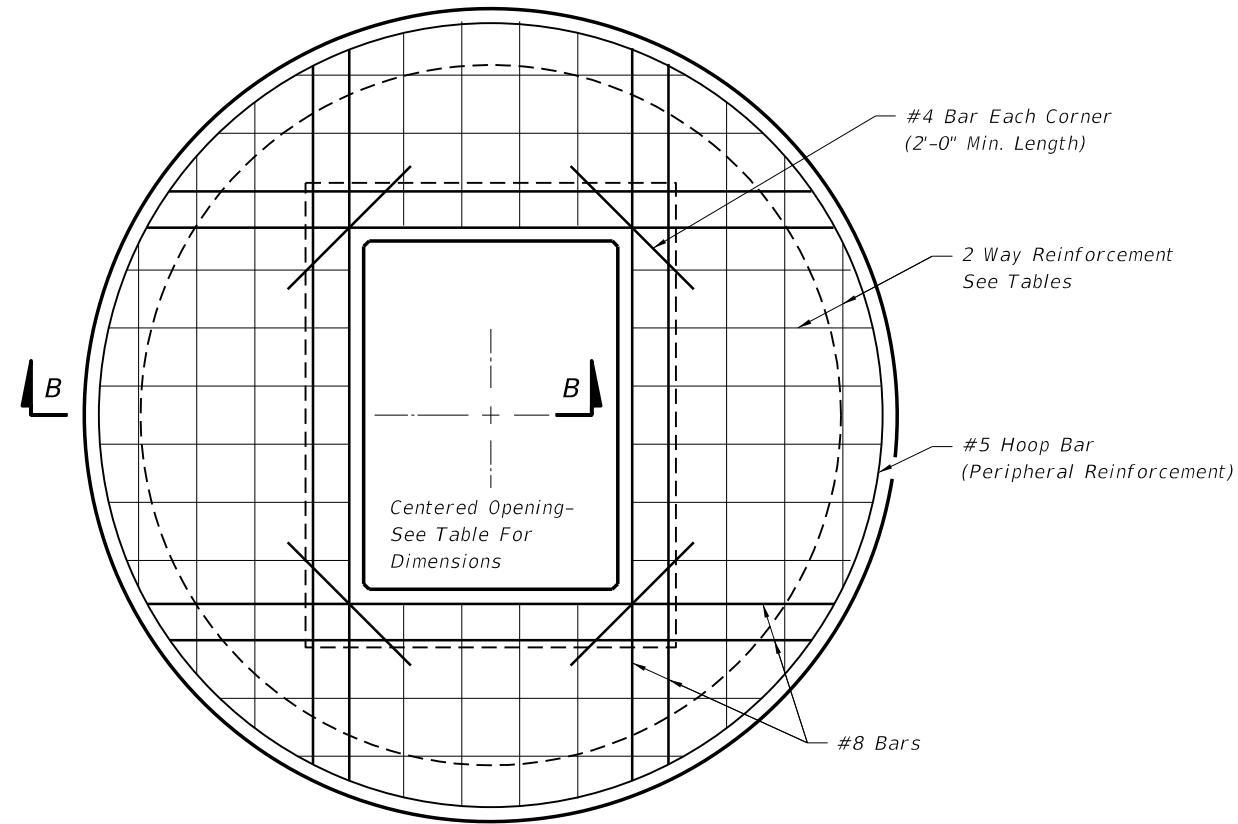
INDEX NO.  
220

SHEET NO.  
2 of 3



TOP VIEW

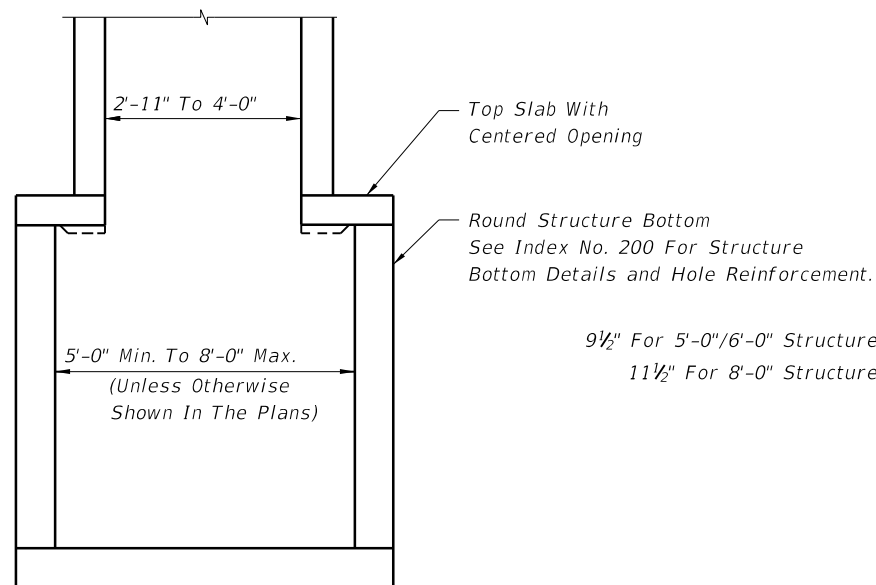
TOP SLAB OPENINGS		
DIAMETER	OPENING SIZE	
	MIN.	MAX.
5'-0" To 8'-0"	2'-11" x 4'-0"	3'-3" x 3'-10"



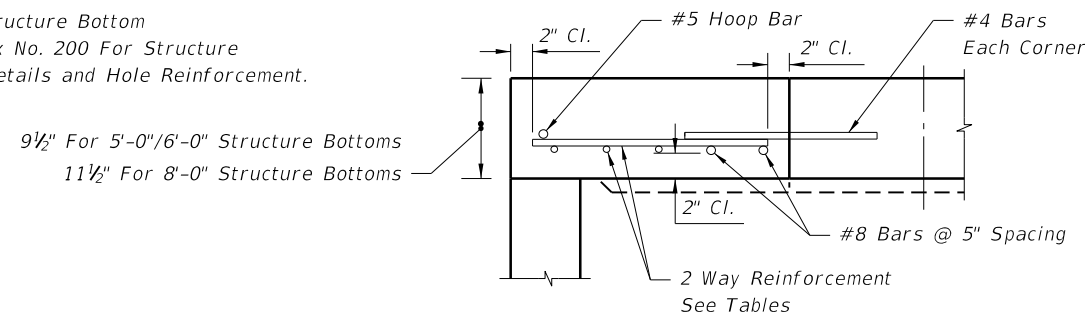
TOP SLAB REINFORCING DIAGRAM

TOP SLAB REINFORCING SCHEDULE	
SCHEDULE	GRADE 60 (BAR) OR 65 KSI & 70 KSI (WIRE FABRIC)
	In <sup>2</sup> /ft.
A	0.20
B	0.24
C	0.37
D	0.53
E	0.73
F	1.06
G	1.45

TOP SLAB WITH CENTERED OPENING		
SLAB DEPTH	SLAB THICKNESS	REINFORCING (2 WAYS) SCHEDULE
SIZE: 5'-0"		
≥0.5' < 30'	9½"	C
30' - 40'	9½"	D
SIZE: 6'-0"		
≥0.5' < 8'	9½"	B
8' < 18'	9½"	C
18' < 30'	9½"	D
30' < 37'	9½"	E
37' - 40'	9½"	G
SIZE: 8'-0"		
≥0.5' < 9'	11½"	C
9' < 15'	11½"	D
15' < 23'	11½"	E
23' < 33'	11½"	E
33' - 40'	11½"	G




SECTION AA

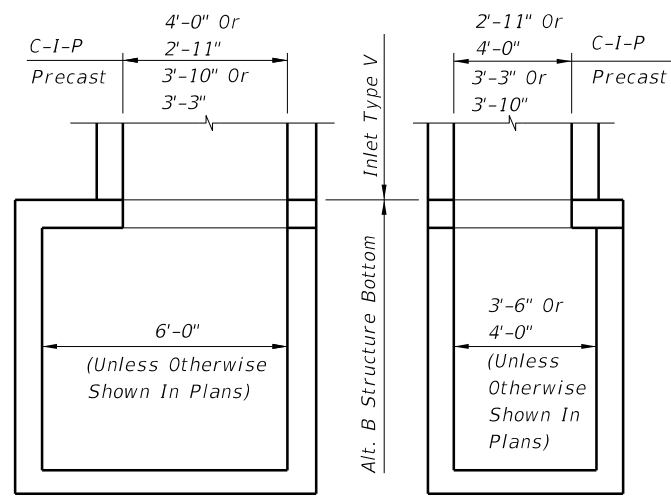


SECTION BB

ALT. A STRUCTURE BOTTOM FOR INLET TYPE S

C:\projects\standards\roadway\00200-s\00220-03.dgn 3:19:15 PM sm970re 6/24/2013

LAST REVISION 07/01/05	DESCRIPTION:	 <b>FDOT 2014 DESIGN STANDARDS</b>	<b>GUTTER INLET TYPE S</b>	INDEX NO. 220	SHEET NO. 3 of 3
REVISION					

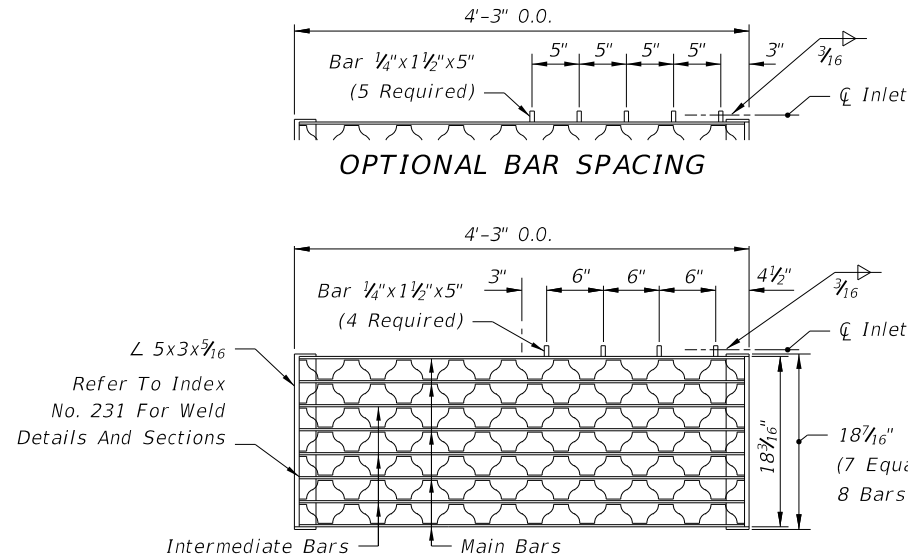


NOTE: Alt. B Structure Bottom Only. See Index No. 200 for structure bottom details and hole reinforcement.  
(For Pipes 30" Dia. And Larger)  
**INLET WITH STRUCTURE BOTTOM**

**RECOMMENDED MAXIMUM PIPE SIZES**

Inlet Inside Width	Pipe Size
2'-11" Or 3'-3"	24"
4'-0" Or 3'-10"	30"

Note: Recommended sizes are for concrete pipe. Sizes for other types of pipe must be verified for fit in accordance with Index No. 201. For larger pipe see bottom detail above and Index No. 200.



**TWO REQUIRED PER INLET**

5" Steel Grate: Main Bars 5" x 1/4"  
Intermediate Bars 1 1/2" x 1/4"  
Reticuline Bars 1 1/4" x 7/16"

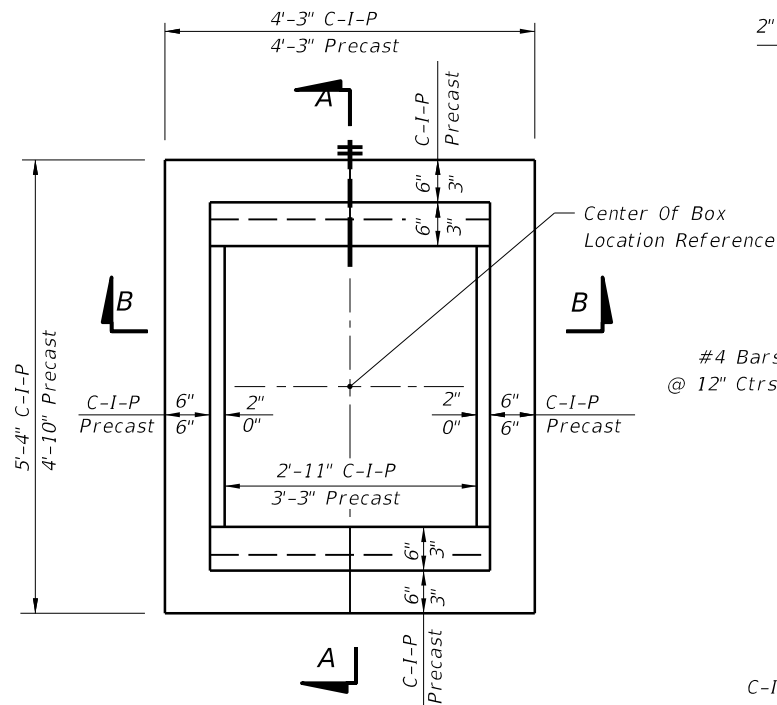
**STEEL GRATE**

**GENERAL NOTES**

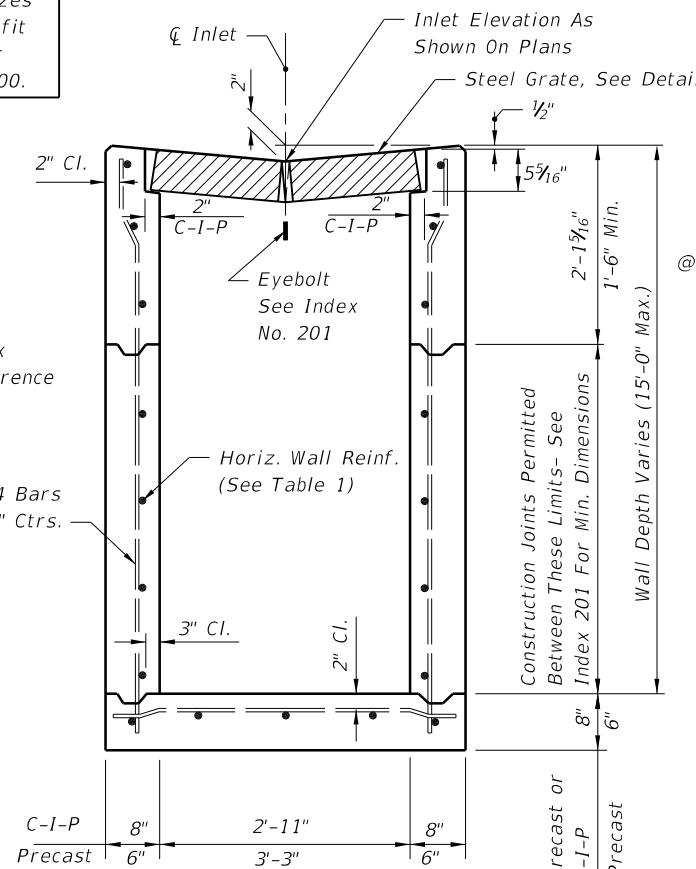
1. This inlet is suitable for village swales, ditches, or other areas subject to heavy wheel loads, minimum debris. This inlet may be placed in areas subject to occasional pedestrian traffic such as landscaped areas and pavement areas where pedestrians can walk around the inlet. This inlet is not for use in a bicycle way.
2. When alternate "G" grate is specified in plans, the grate is to be hot dip galvanized after fabrication.
3. All reinforcing is Grade 60 bars with 2" min. cover unless otherwise noted. See Index No. 201 for equivalent area of welded wire fabric. Cut or bend bars out of way of pipe to clear pipe 1 1/2".
4. All exposed edges and corners shall be 3/4" chamfer or tooled to 1/4" radius.
5. All dimensions are for both precast and cast-in-place inlets unless otherwise noted.
6. For supplementary details see Index No. 201.
7. Inlet to be paid for under the contract unit price for Inlets (Gutter Type V), EA

**HORIZONTAL WALL REINFORCING SCHEDULE (TABLE 1)**

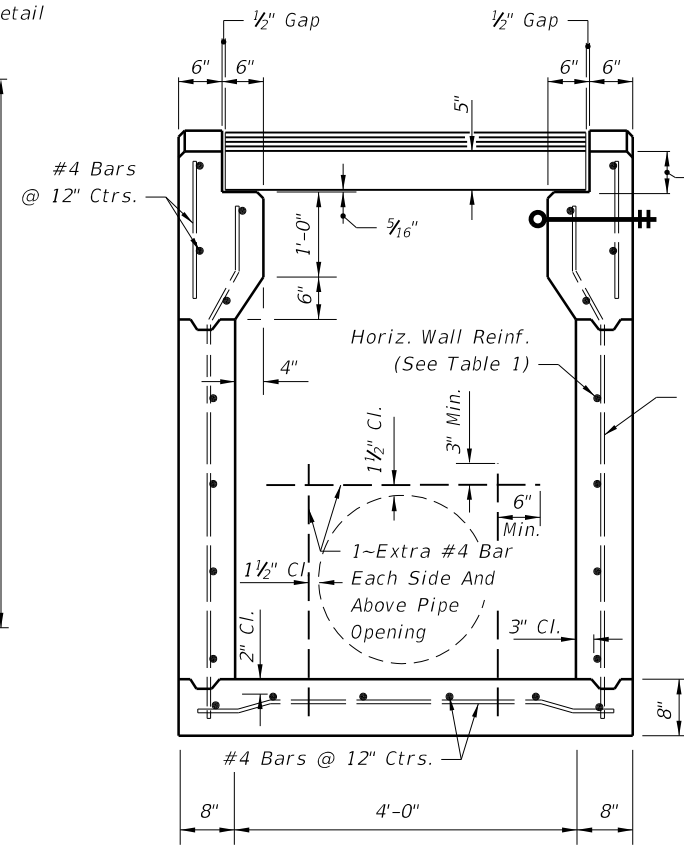
WALL DEPTH	SCHEDULE	AREA (in. <sup>2</sup> /ft.)	MAX. SPACING	
			BARS	WWF
0' - 5'	A12	0.20	12"	8"
5' - 9'	A6	0.20	6"	5"
9' - 12'	A4	0.20	4"	3"
9' - 15'	B5.5	0.24	5 1/2"	5"



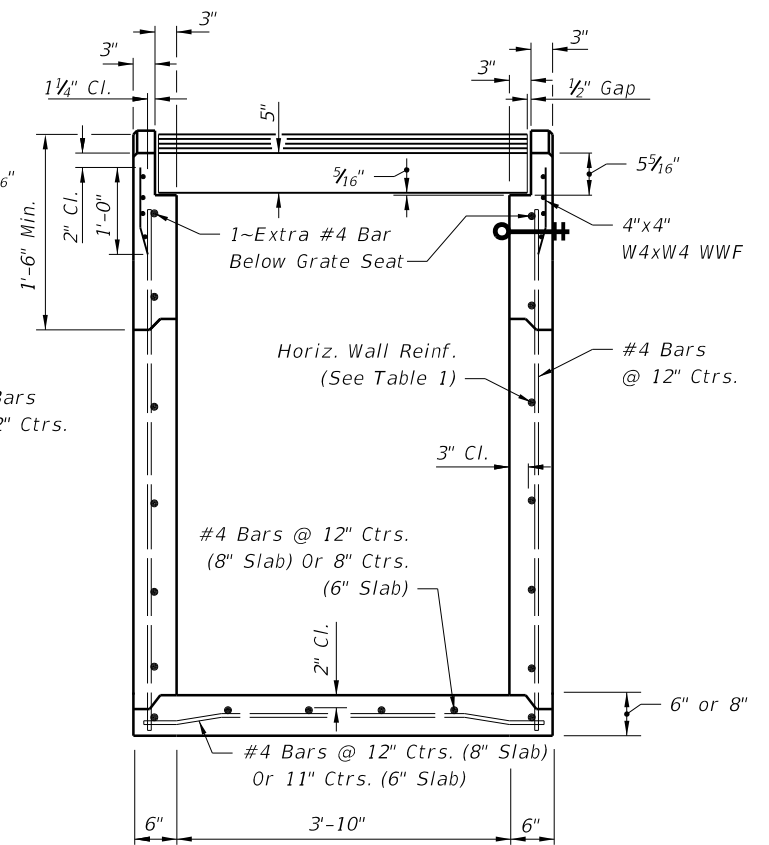
**PLAN**  
(CAST-IN-PLACE INLET SHOWN WITHOUT GRATE; PRECAST INLET SIMILAR)



**SECTION BB**  
(CAST-IN-PLACE INLET SHOWN PRECAST INLET SIMILAR)

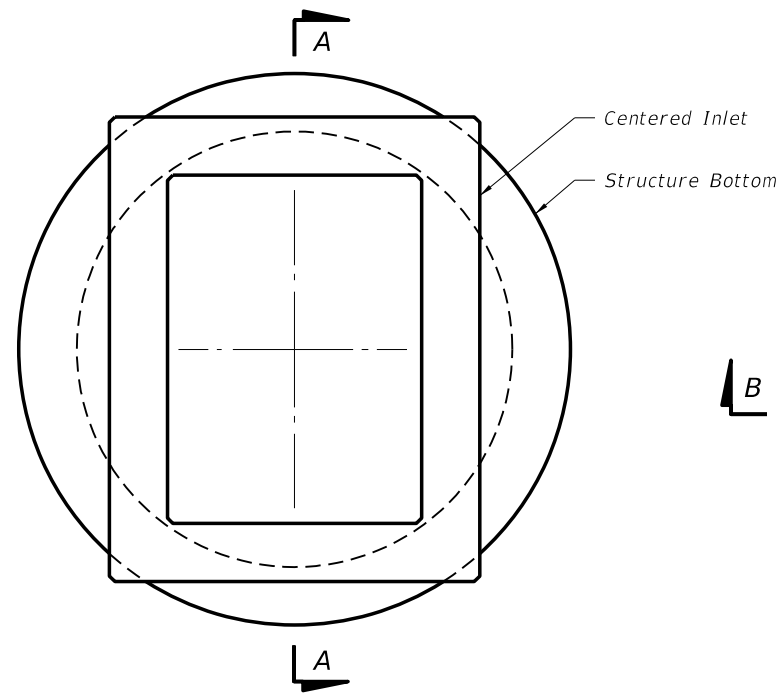


**SECTION AA**  
(CAST-IN-PLACE INLET)

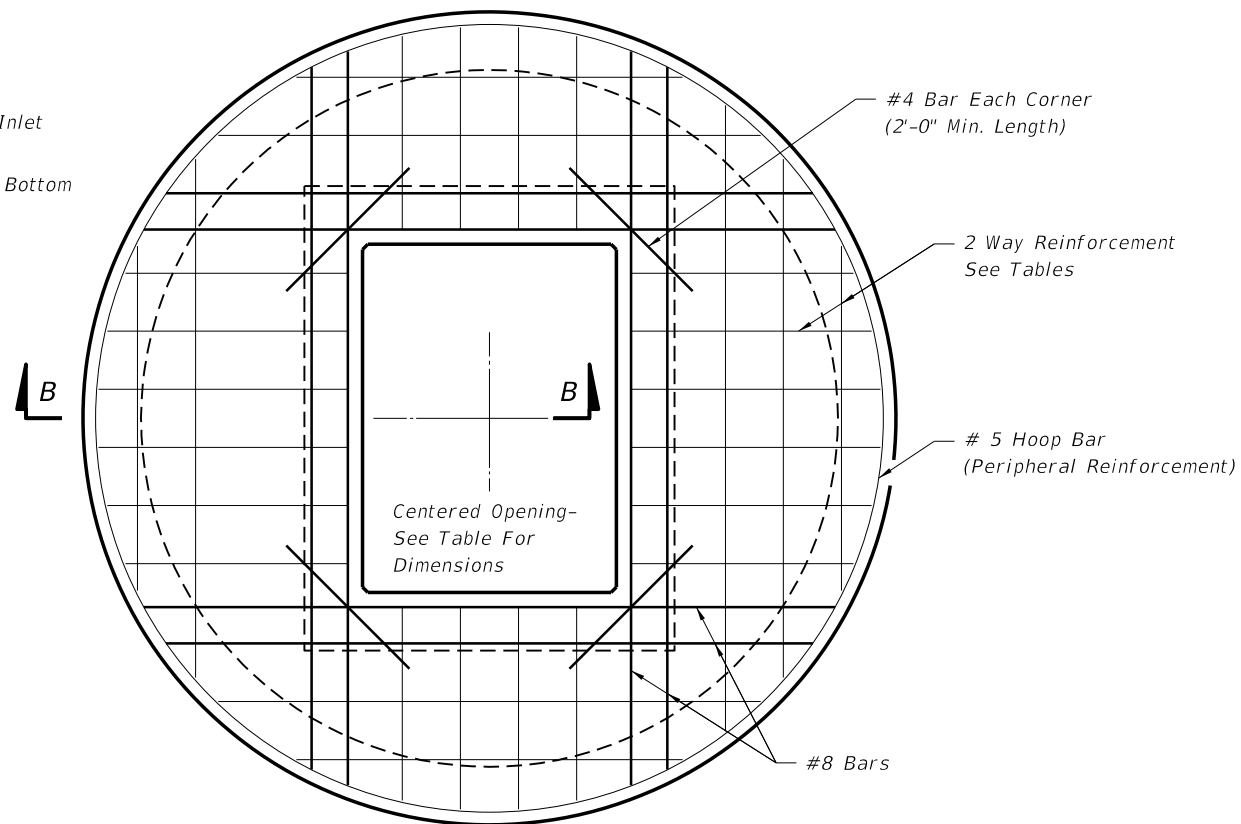


**SECTION AA**  
(PRECAST INLET)

6/24/2013 3:19:17 PM sm970re C:\p\projects\standards\roadway\02200-s\0221-01.dgn



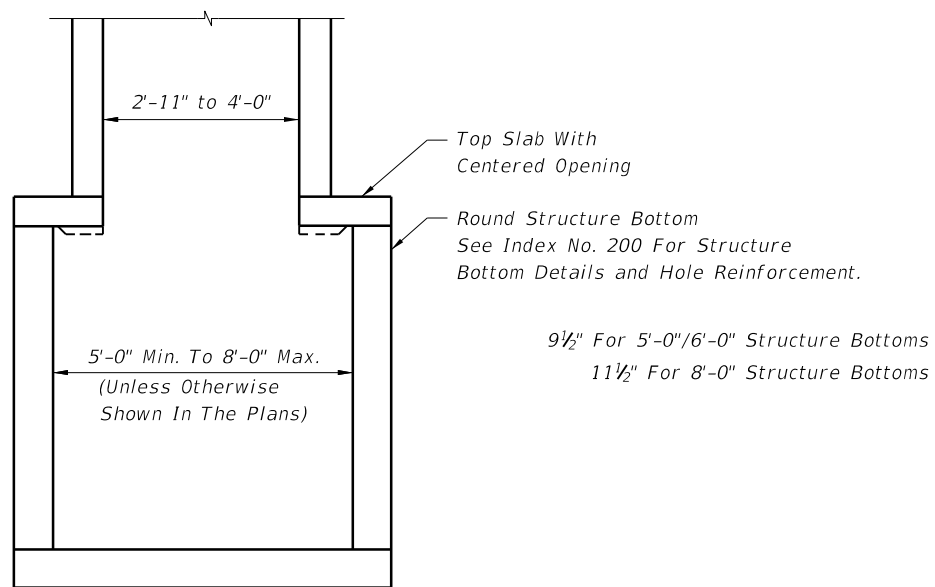
TOP SLAB OPENINGS		
DIAMETER	OPENING SIZE	
	MIN.	MAX.
5'-0" To 8'-0"	2'-11" x 4'-0"	3'-3" x 3'-10"



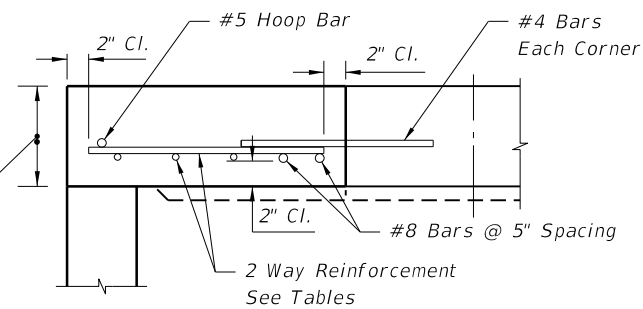
TOP SLAB REINFORCING DIAGRAM

TOP SLAB REINFORCING SCHEDULE	
SCHEDULE	GRADE 60 (BAR) OR 65 KSI & 70 KSI (WIRE FABRIC) In. <sup>2</sup> /ft.
	A
B	0.24
C	0.37
D	0.53
E	0.73
F	1.06
G	1.45

TOP SLAB WITH CENTERED OPENING		
SLAB DEPTH	SLAB THICKNESS	REINFORCING (2 WAYS) SCHEDULE
SIZE: 5'-0"		
≥0.5' < 30'	9½"	C
30'-40'	9½"	D
SIZE: 6'-0"		
0.5' < 8'	9½"	B
8' < 18'	9½"	C
18' < 30'	9½"	D
30' < 37'	9½"	E
37'-40'	9½"	G
SIZE: 8'-0"		
≥0.5' < 9'	11½"	C
9' < 15'	11½"	D
15' < 23'	11½"	E
23' < 33'	11½"	E
33'-40'	11½"	G



SECTION AA

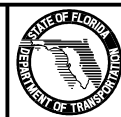


SECTION BB

ALT. A STRUCTURE BOTTOM FOR INLET TYPE V

6/24/2013 3:19:19 PM sm970re C:\projects\standards\roadway\02200-s\0221-02.dgn

LAST REVISION	DESCRIPTION:
07/01/05	

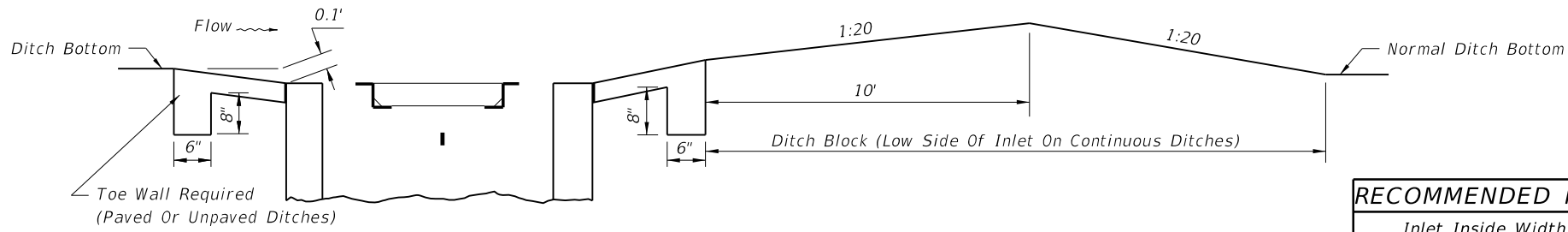


FDOT 2014  
DESIGN STANDARDS

GUTTER INLET TYPE V

INDEX NO.  
221

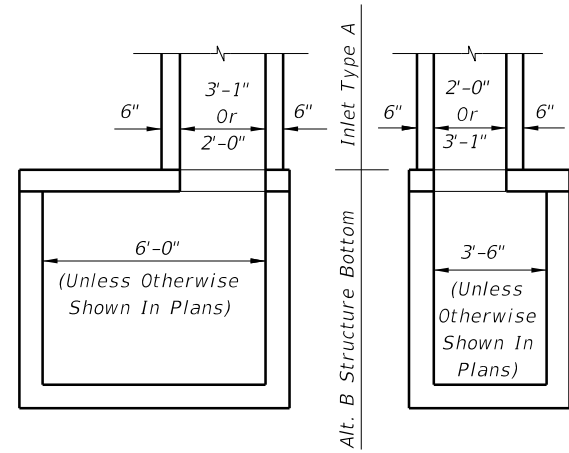
SHEET NO.  
2 of 2



SECTION DD

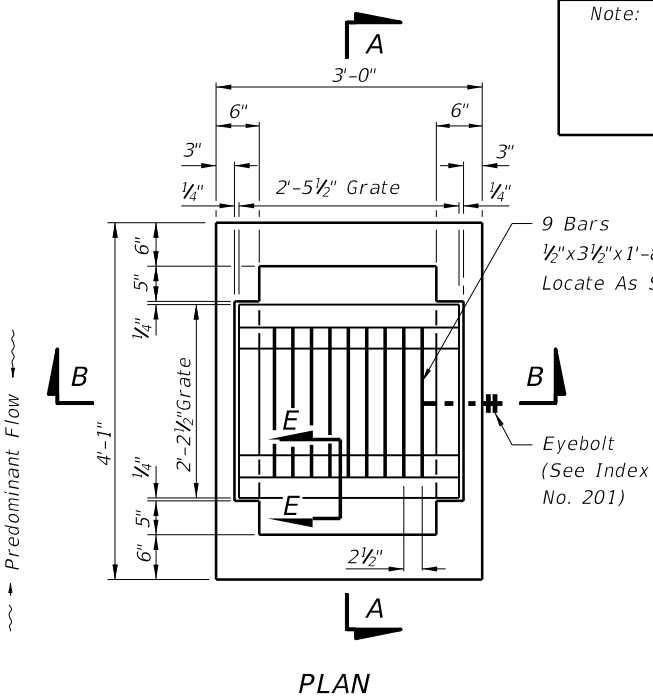
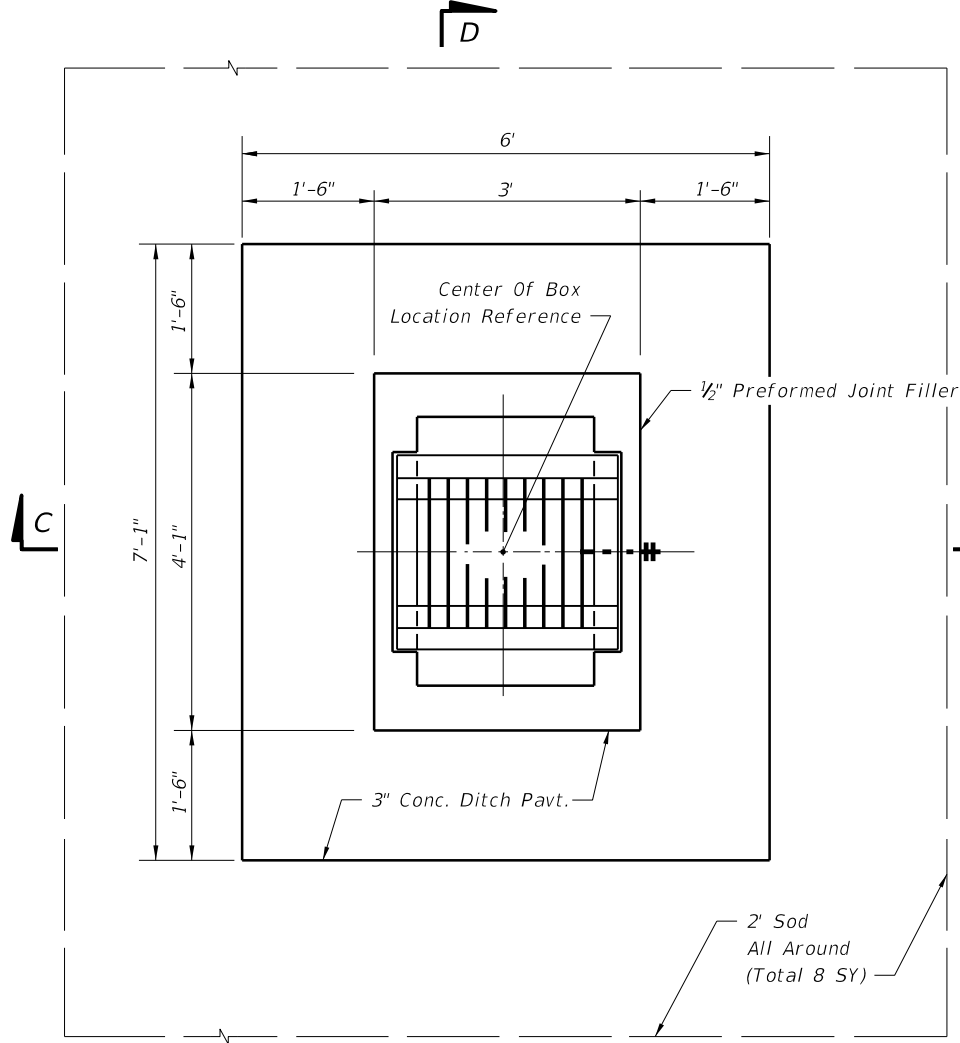
RECOMMENDED MAXIMUM PIPE SIZES	
Inlet Inside Width	Pipe Size
2'-0"	18"
3'-1"	24" 18" Where An 18" pipe Enters A 2'-0" Wall

Note: Recommended sizes are for concrete pipe. Sizes for other types of pipe must be verified for fit in accordance with Index No. 201. For larger pipe see bottom detail right and Index No. 200.

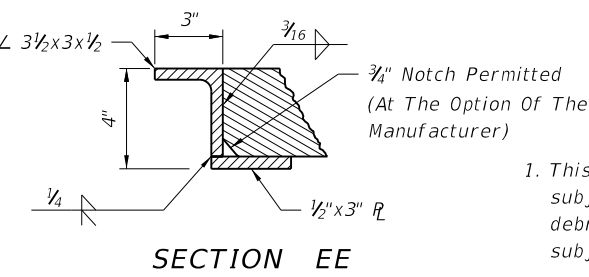


NOTE: Alt. B Structure Bottom Only. See Index No. 200 for Structure Bottom Details And Hole Reinforcement.

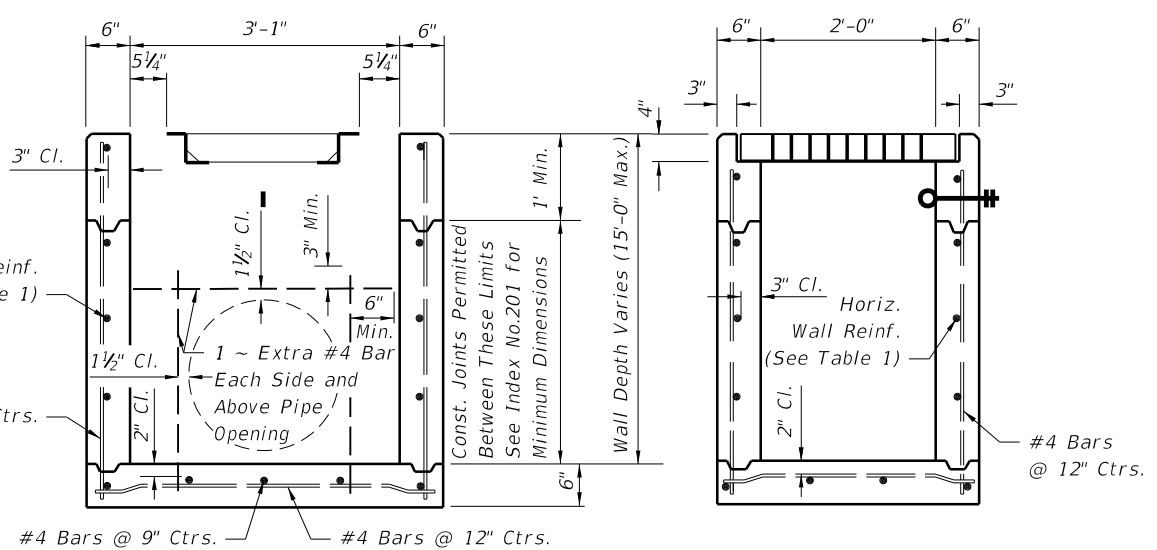
**INLET WITH STRUCTURE BOTTOM**



PLAN

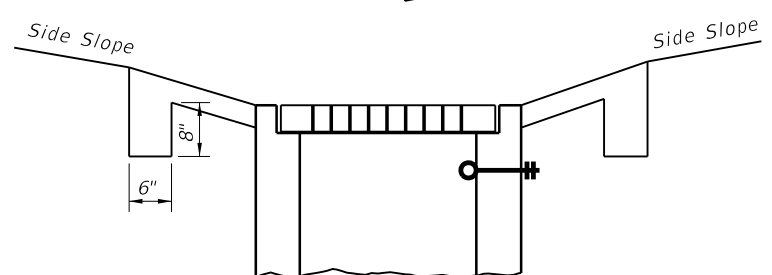


SECTION EE



(Pipe Opening Shown) SECTION AA

(Pipe Opening Not Shown) SECTION BB



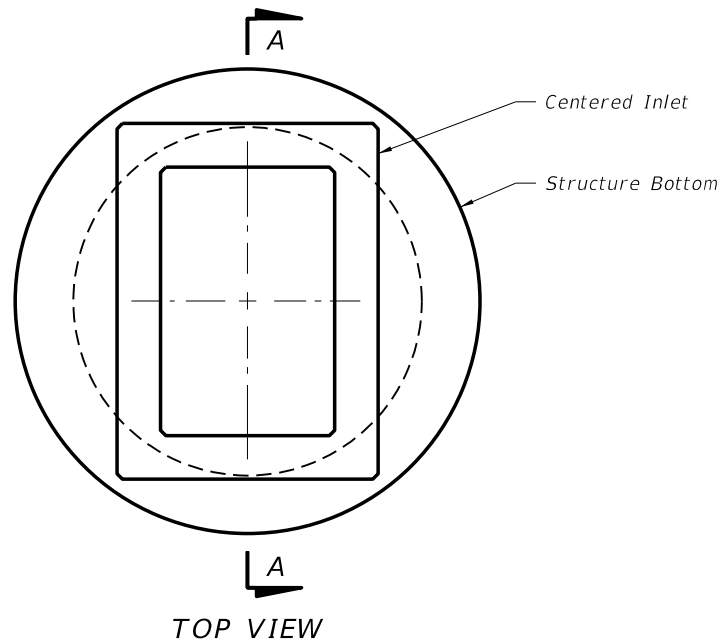
SECTION CC

- GENERAL NOTES**
- This inlet is designed for ditches, medians, or other area subject to heavy wheel loads on limited access facilities where debris may be a problem. This inlet is not for use in areas subject to pedestrian and/or bicycle traffic.
  - All reinforcing is Grade 60 bars with 2" min. cover unless otherwise noted. Cut or bend bars out of way of pipe to clear pipe by 1/2". See Index 201 for equivalent area of welded wire fabric.
  - All exposed edges and corners shall be 3/4" chamfer or tooled to 1/4" radius.
  - When alternate "G" grate is specified in plans, the grate is to be hot-dip galvanized after fabrication.
  - Cost of ditch paving to be included in the cost of Inlet. Sodding to be paid for under contract unit price for Performance Turf, SY.
  - For supplemental details see Index No. 201.
  - All dimensions are for both precast and cast-in-place inlets unless otherwise noted.
  - Inlet to be paid for under the contract unit price for inlets (Dt Bot Type A), EA.

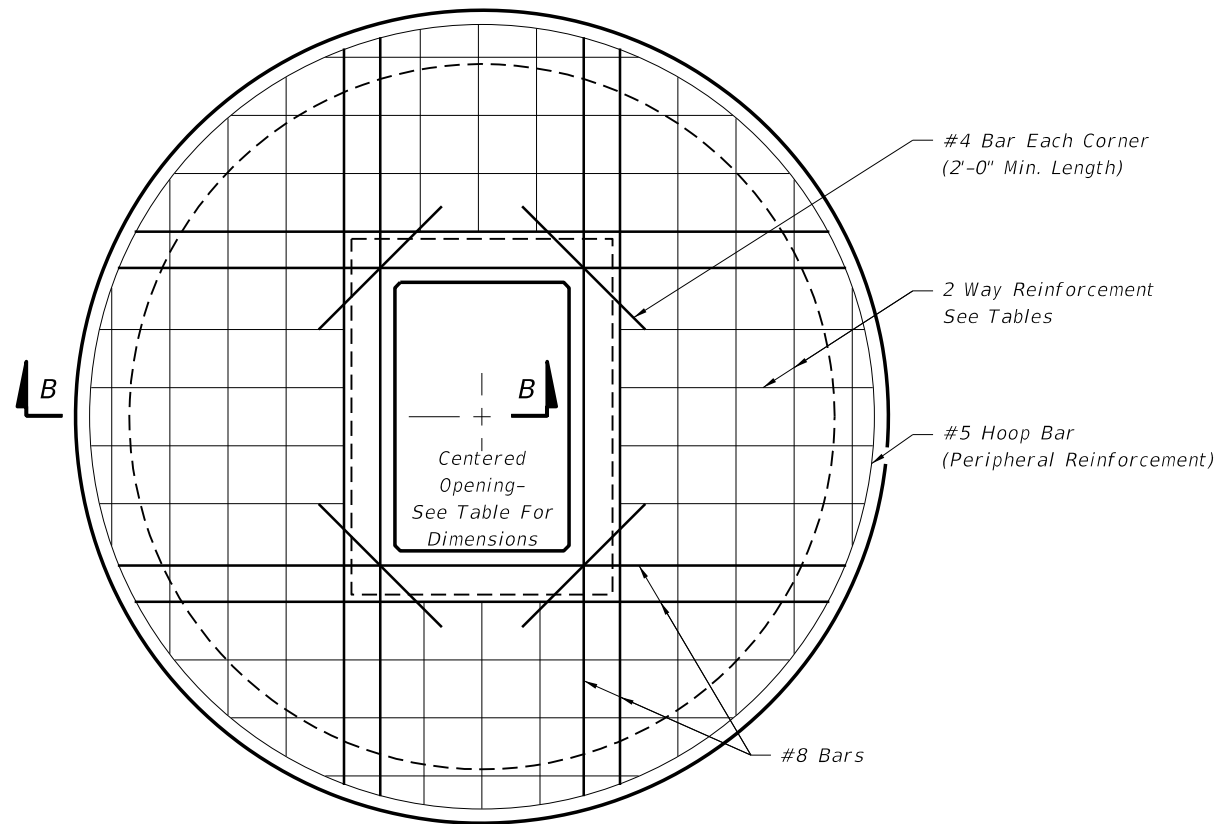
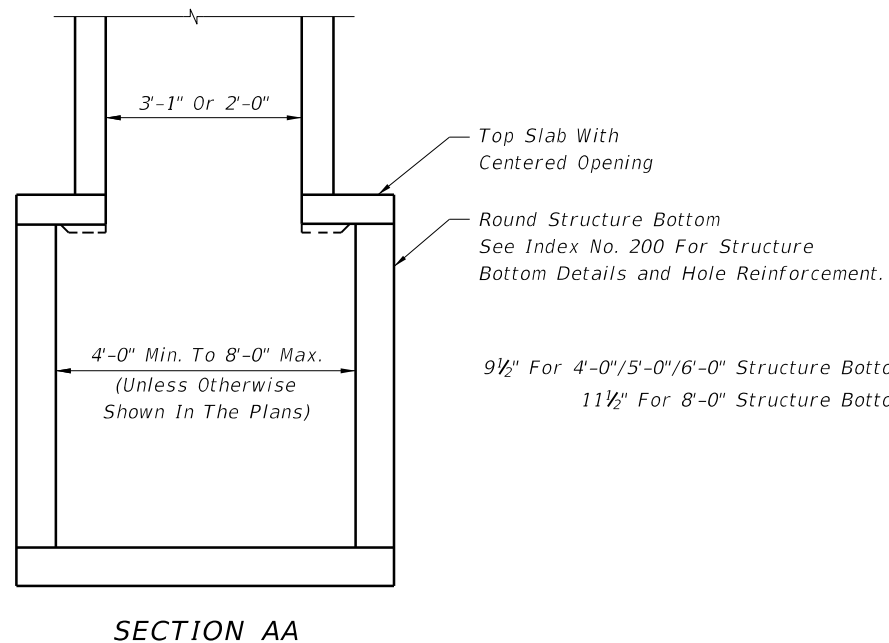
**HORIZONTAL WALL REINFORCING SCHEDULE (TABLE 1)**

WALL DEPTH	SCHEDULE	AREA (in. <sup>2</sup> /ft.)	MAX. SPACING	
			BARS	WWF
0' - 10'	A12	0.20	12"	8"
10' - 15'	A6	0.20	6"	5"

C:\projects\standards\roadway\02200-s\02230-01.dgn 3:19:20 PM sm970re 6/24/2013



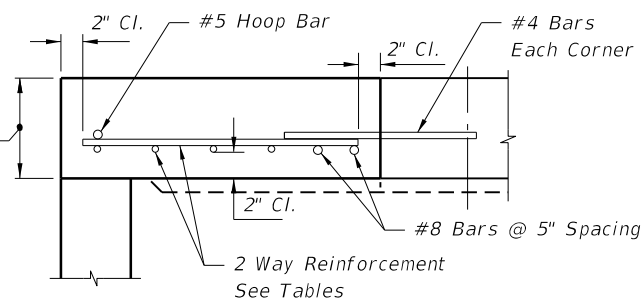
TOP SLAB OPENINGS	
DIAMETER	OPENING SIZE
	MIN.
4'-0" To 8'-0"	2'-0" x 3'-1"



TOP SLAB REINFORCING DIAGRAM

TOP SLAB REINFORCING SCHEDULE	
SCHEDULE	GRADE 60 (BAR) OR 65 KSI & 70 KSI (WIRE FABRIC) In. <sup>2</sup> /ft.
A	0.20
B	0.24
C	0.37
D	0.53
E	0.73
F	1.06
G	1.45


TOP SLAB WITH CENTERED OPENING		
SLAB DEPTH	SLAB THICKNESS	REINFORCING (2 WAYS) SCHEDULE
SIZE: 4'-0"		
≥0.5'-40'	9½"	C
SIZE: 5'-0"		
≥0.5'<30'	9½"	C
30'-40'	9½"	D
SIZE: 6'-0"		
0.5'<8'	9½"	B
8'<18'	9½"	C
18'<30'	9½"	D
30'<37'	9½"	E
37'-40'	9½"	G
SIZE: 8'-0"		
≥0.5'<9'	11½"	C
9'<15'	11½"	D
15'<23'	11½"	E
23'<33'	11½"	E
33'-40'	11½"	G

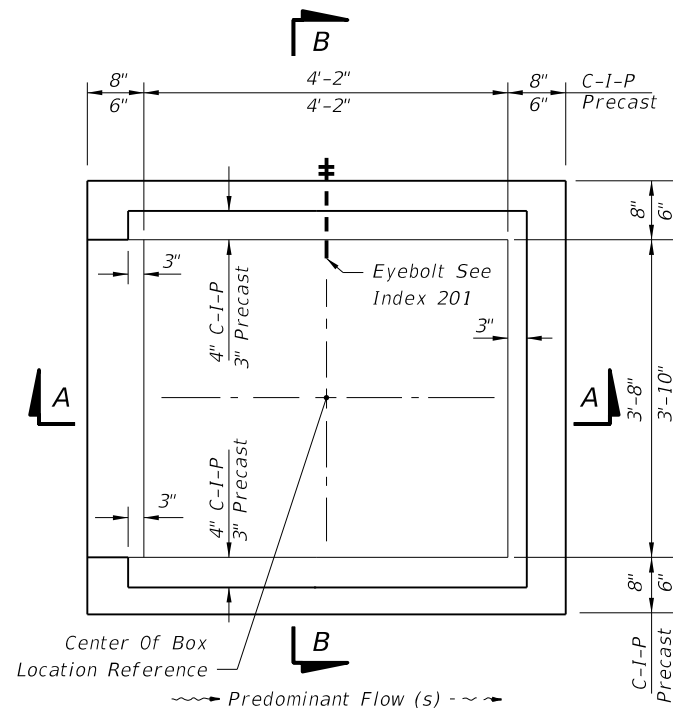


SECTION BB

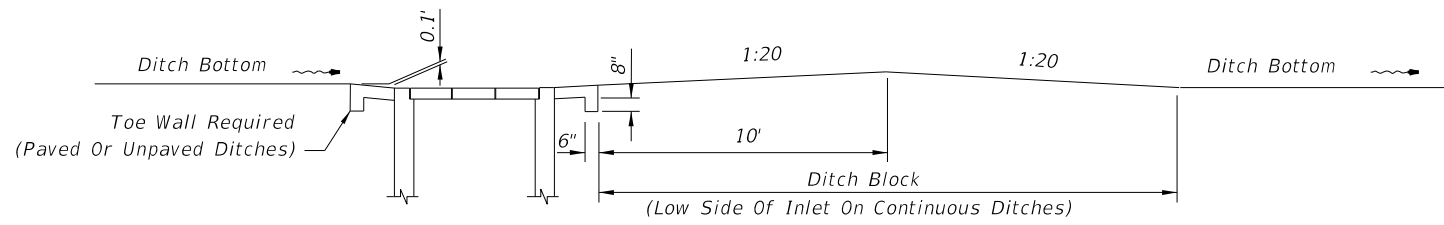
ALT. A STRUCTURE BOTTOM FOR INLET TYPE A

C:\projects\standards\roadway\00200-s\00230-02.dgn 3:19:22 PM 6/24/2013 smg70re

LAST REVISION 07/01/07	DESCRIPTION:	 <b>FDOT 2014 DESIGN STANDARDS</b>	<b>DITCH BOTTOM INLET TYPE A</b>	INDEX NO. 230	SHEET NO. 2 of 2
---------------------------	--------------	---	----------------------------------	------------------	---------------------

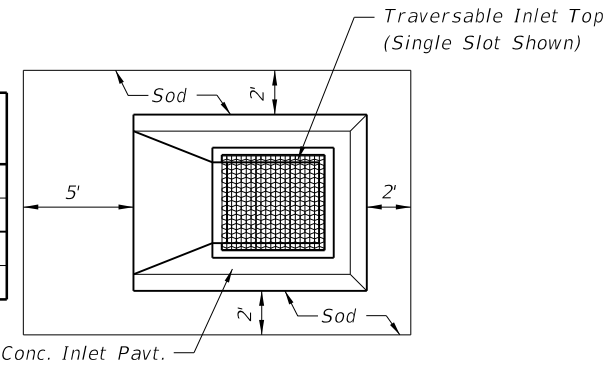


Center Of Box Location Reference  
 (Grate, Apron And Slot Not Shown)  
**PLAN**

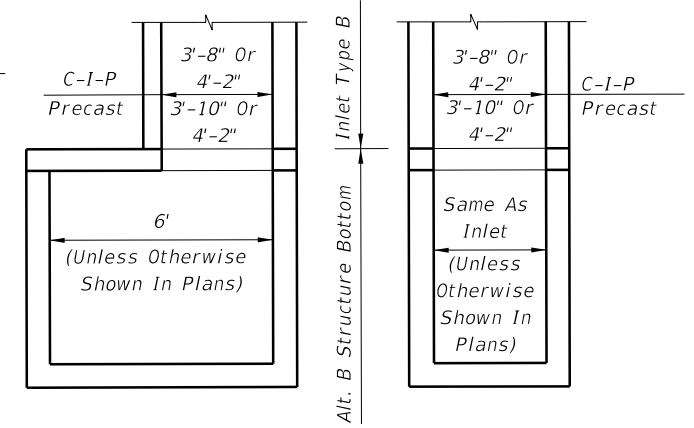


**SECTION EE  
 DITCH BLOCK**

ESTIMATED QUANTITIES For Informational Purposes Only			
SLOT TYPE	PAVEMENT		SOD
	SY	CY	
Single Slot	6.2	0.9	14
Double Slot	8.1	1.1	19



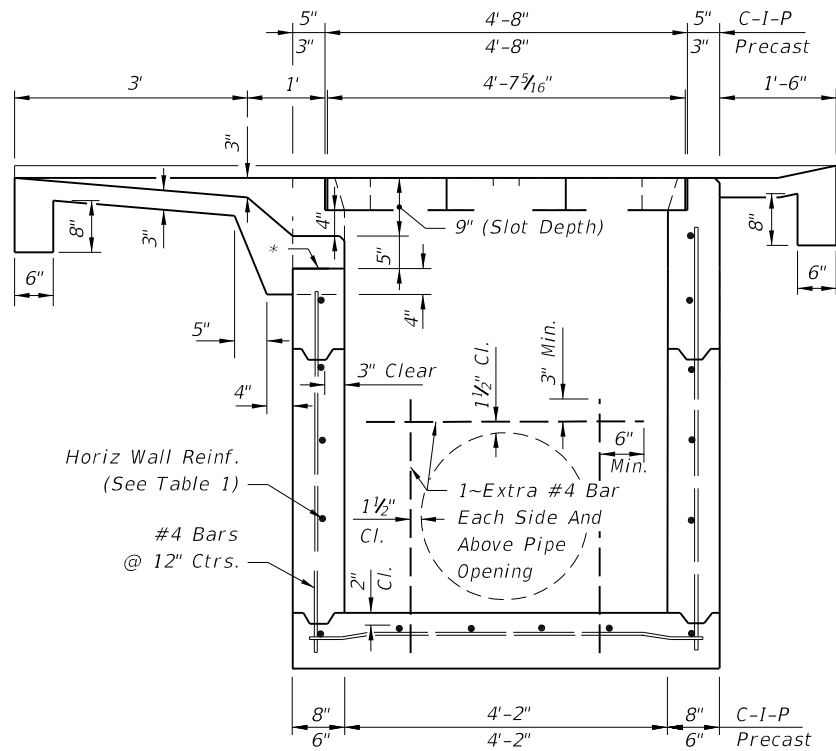
**CONCRETE INLET PAVEMENT AND SODDING**



NOTE: Alt. B Structure Bottom Only. See Index No. 200 for structure bottom details and pipe opening reinforcement.  
**INLET WITH STRUCTURE BOTTOM**

RECOMMENDED MAXIMUM PIPE SIZES	
INLET INSIDE WIDTH	PIPE SIZE
3'-8"	30"
4'-2"	36"

Note: Recommended sizes are for concrete pipe. Sizes for other types of pipe must be verified for fit in accordance with Index No. 201. For larger pipe see bottom detail above and Index No. 200.

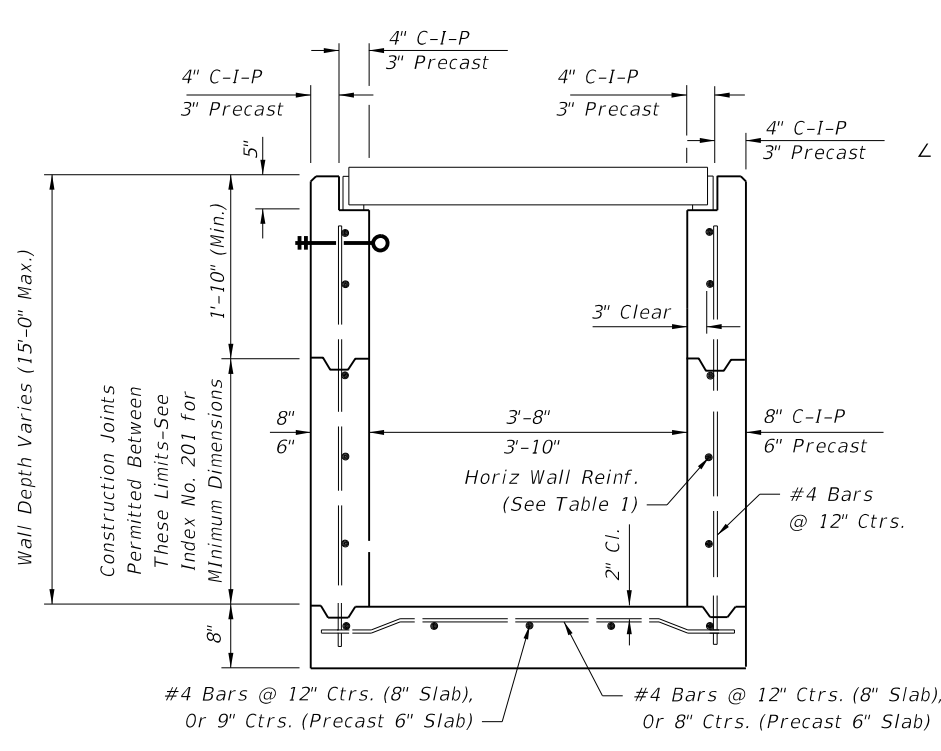


**SECTION AA**

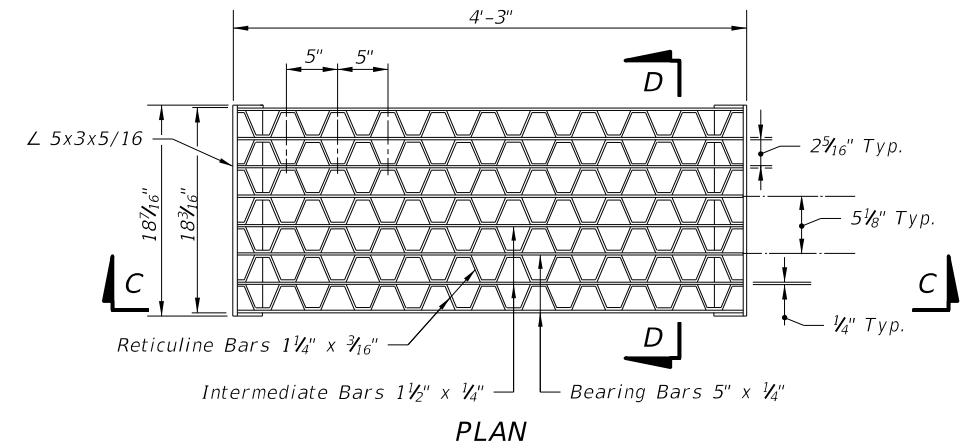
\*See Sheet 2 of 3

**HORIZONTAL WALL REINFORCING  
 SCHEDULE (TABLE 1)**

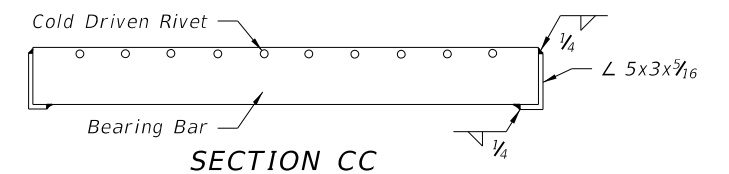
WALL DEPTH	SCHEDULE	AREA (in. <sup>2</sup> /ft.)	MAX. SPACING	
			BARS	WWF
0' - 5'	A12	0.20	12"	8"
5' - 9'	A6	0.20	6"	5"
9' - 13'	B5.5	0.24	5 1/2"	5"
13' - 15'	Special	0.267	5"	4"



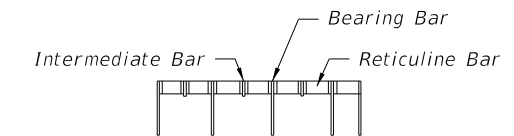
**SECTION BB**



**PLAN**



**SECTION CC**



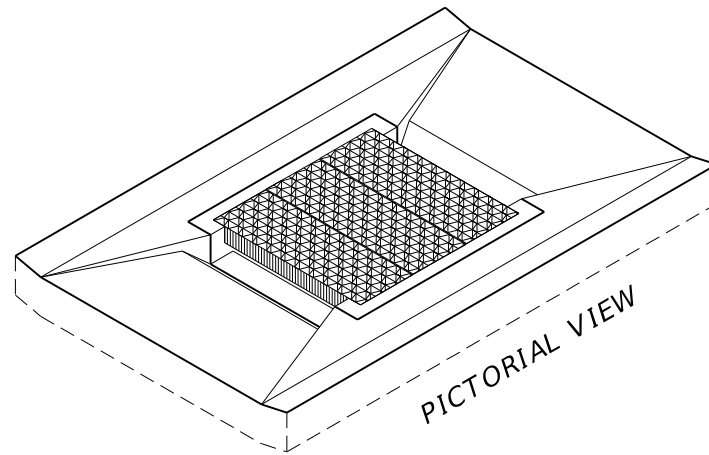
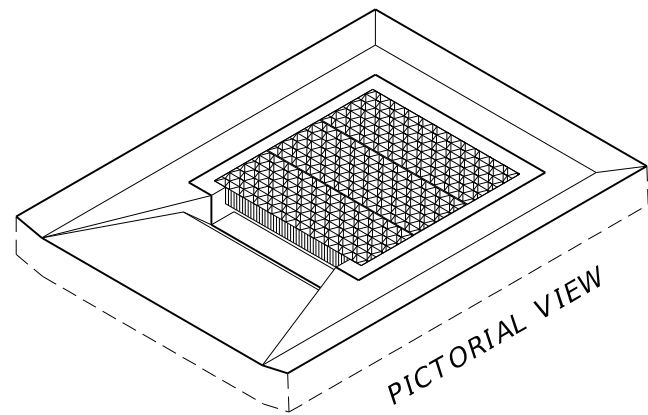
**SECTION DD**

**STEEL GRATE**

C:\projects\standards\roadway\02200-s\02231-01.dgn  
 smg70re  
 3:19:24 PM  
 6/24/2013



6/24/2013 3:19:26 PM smg70re C:\projects\standards\roadway\02200-s\02231-02.dgn



**GENERAL NOTES**

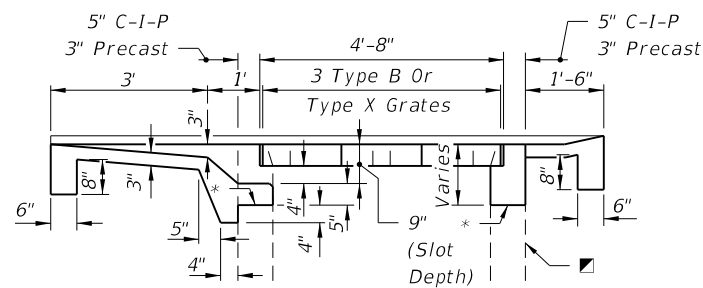
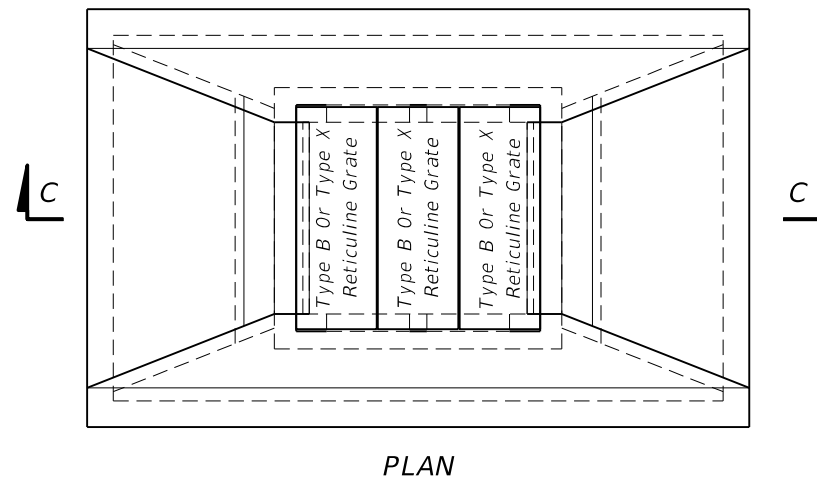
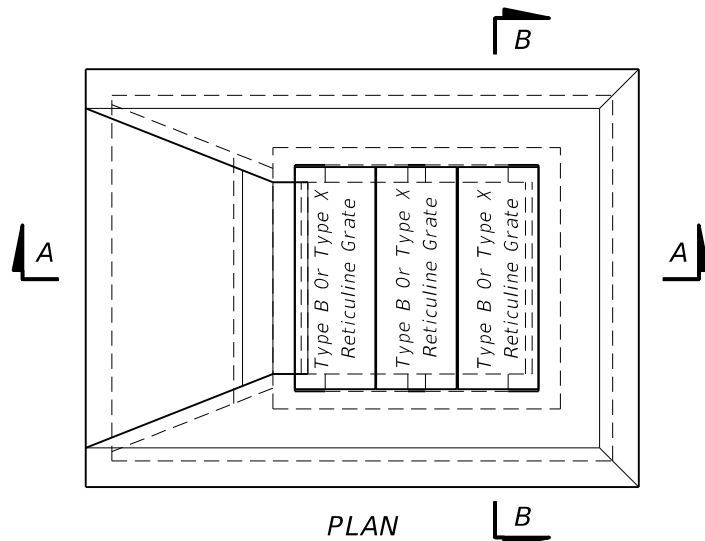
1. The general purpose of the inlet top designs are:
  - a. For ditches, medians or other areas subject to heavy wheel loads. This inlet may be placed in areas subject to occasional pedestrian traffic such as landscaped areas and pavement areas where pedestrians can walk around the inlet. Inlet not suitable for bicycle traffic.
  - b. Provide full grate and horizontal slot designs for new construction.
  - c. Provide full grate and horizontal slot designs for replacing the vertical slot tops on existing Inlets Type B and Type X that are in locations subject to occasional pedestrian traffic.
2. All reinforcing is Grade 60 bars with 2" min. cover unless otherwise noted. See Index No. 201 for equivalent area of welded wire fabric. Bars to be cut or bent for min. 1 1/2" clearance around pipe.
3. All exposed edges and corners shall be 3/4" chamfer or tooled to 1/4" radius.
4. When Alternate G grates are specified in the plans, the grates are to be hot-dip galvanized after fabrication.
5. Cost for constructing traversable tops on new inlet boxes shall be included in the contract unit price for Inlets (DT BOT) (Type B), EA., and shall include the cost for surrounding concrete inlet pavement. Existing Inlets Type B and Inlets Type X that are converted to traversable inlet tops shall be paid for under the contract unit price for Inlets (DT BOT) (Type B) (Partial), EA. Unit price and payment shall be full compensation for inlet conversion and shall include the removal and disposal of any existing concrete inlet pavement; the removal and stockpiling or disposal of sufficient material from the existing inlet box to facilitate construction of the required inlet top; construction of the required inlet conversion; backfill construction; construction of concrete inlet pavement; reusing, supplementing, transferring or replacing grates as required by plans or as directed by the Engineer; any required earthwork for ditch restoration within 30' of the inlet; and, restoration of disturbed turf.
6. Ditch pavement shall be paid for, separate from the inlet and concrete inlet pavement, by pavement types and units as called for in the plans.
7. Sod will be paid for under the contract unit price for Performance Turf, SY.
8. For supplementary details see Index No. 201.
9. All dimensions are for both precast and cast-in-place inlets unless otherwise noted.

**DESIGN NOTES**

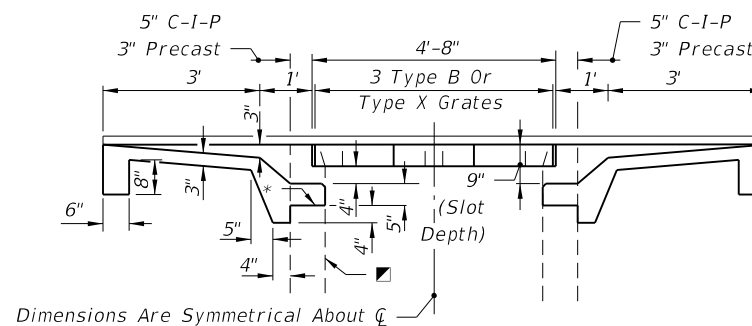
1. The type of top (single or double slots) depends on the approach ditch configuration and the hydraulic requirements of the site. The designer will stipulate in the plans the type of top to be constructed at each individual inlet location.
2. On existing inlets, conversion grates shall be constructed at the original grate elevations unless other elevations are called for in the plans. When plans call for the inlet top to be constructed to support storm water detention, details for ditch modifications and underdrains shall be shown in the plans.

**MAINTENANCE NOTES**

1. Traversable inlet tops that are constructed by maintenance contract or by maintenance forces may reuse the existing grates that are determined by the Maintenance Engineer to be functionally sound, and their reuse is so directed by the Maintenance Engineer. Existing grates approved for reuse and new grates may be mixed, matched or replaced as directed by the Maintenance Engineer.



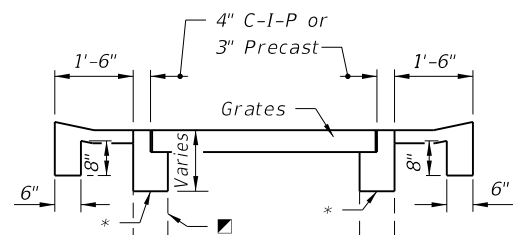
**SECTION AA  
SINGLE SLOT**



**SECTION CC  
DOUBLE SLOT**

■ Inlet Box (Line Type Indicates Existing Box To Facilitate Depiction Of Partial Construction On Existing Inlets)

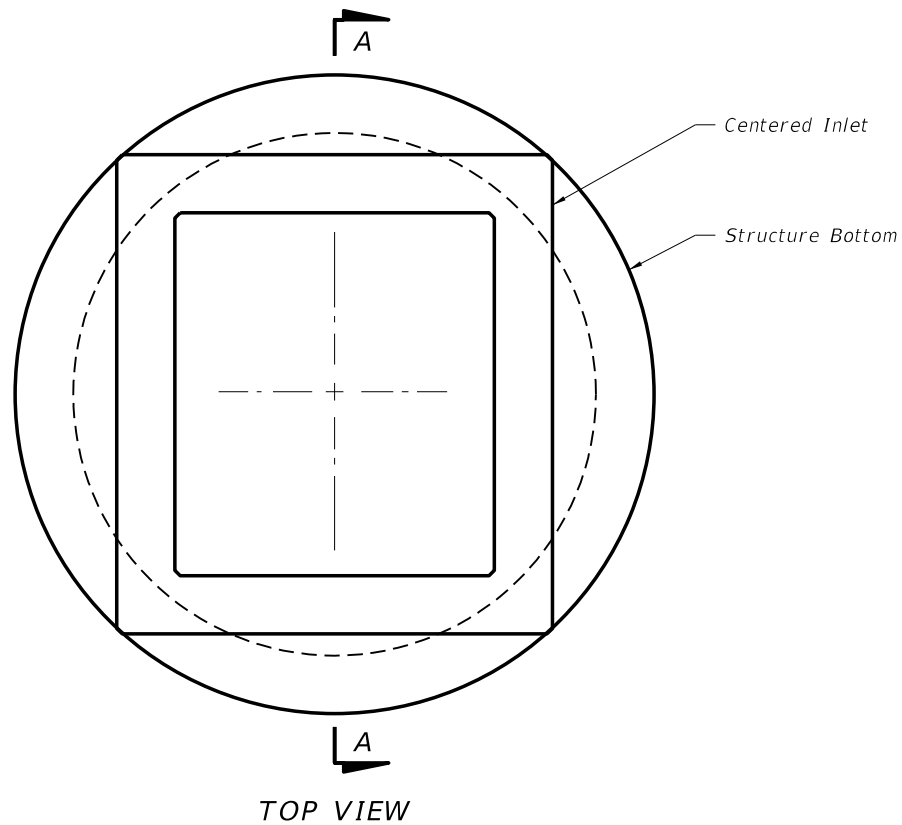
\* On new boxes the traversable top may be cast as a monolithic unit or cast in segments, and the location of this line may be lower to facilitate handling and placement; however, the slot depth is to remain at 9 inches. See Index No. 201 for top to wall connection. For converting to traversable tops on existing inlets remove concrete to this line and expose the existing reinforcement. Reshape or splice in reinforcement to penetrate the rim and returns of the grate seat, and bend the reinforcement into the slot shelf to extend into the abutting throat pavement.



**SECTION BB**

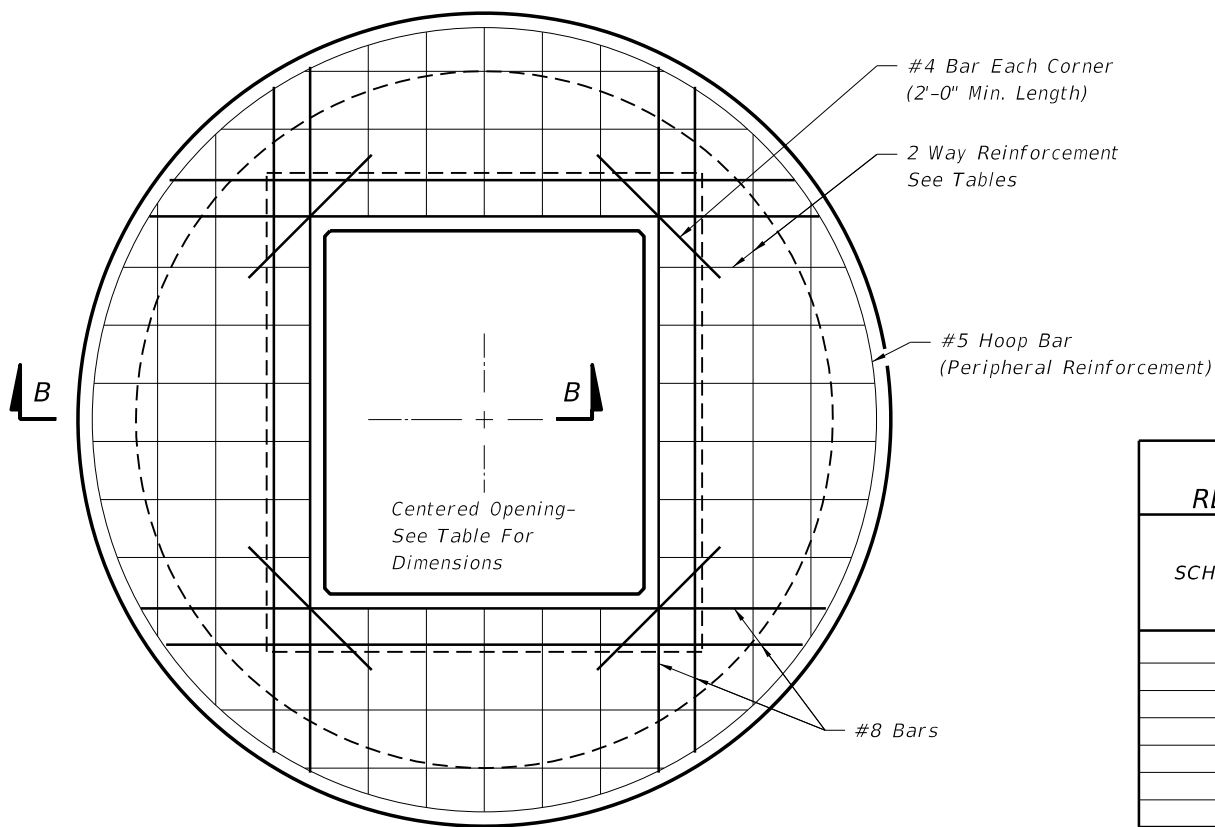
**TRAVERSABLE TOPS FOR INLETS TYPE B AND FOR CONVERSIONS OF EXISTING INLETS TYPE B AND TYPE X**

LAST REVISION 07/01/10	REVISION	DESCRIPTION:		<b>DOT 2014 DESIGN STANDARDS</b>	<b>DITCH BOTTOM INLET TYPE B</b>	INDEX NO. <b>231</b>	SHEET NO. <b>2 of 3</b>
---------------------------	----------	--------------	--	--------------------------------------	----------------------------------	-------------------------	----------------------------



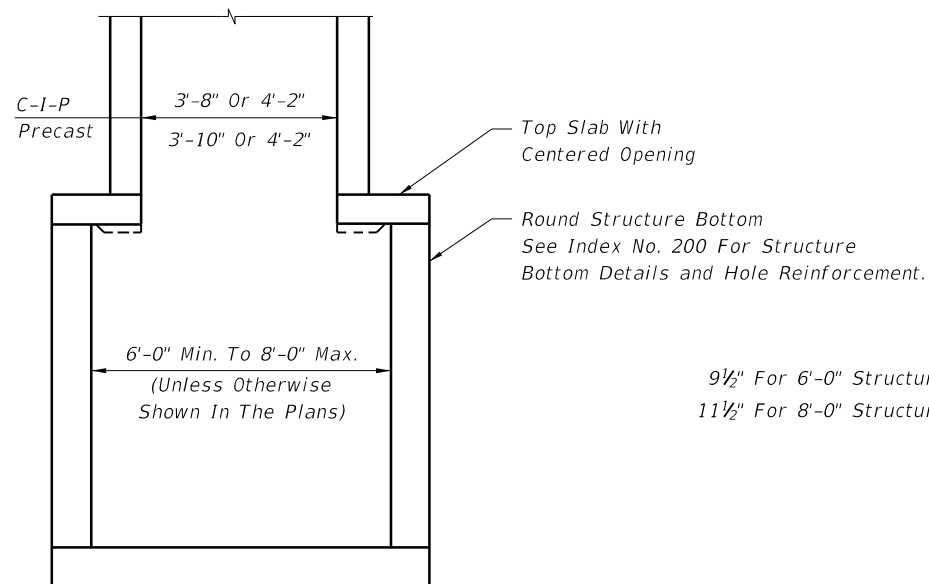
TOP VIEW

TOP SLAB OPENINGS		
DIAMETER	OPENING SIZE	
	MIN.	MAX.
6'-0" to 8'-0"	3'-8" x 4'-2"	3'-10" x 4'-2"

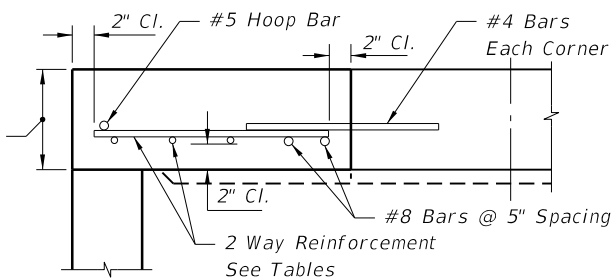


TOP SLAB REINFORCING DIAGRAM

TOP SLAB REINFORCING SCHEDULE	
SCHEDULE	GRADE 60 (BAR) OR 65 KSI & 70 KSI (WIRE FABRIC) In <sup>2</sup> /ft.
A	0.20
B	0.24
C	0.37
D	0.53
E	0.73
F	1.06
G	1.45



SECTION AA




SECTION BB

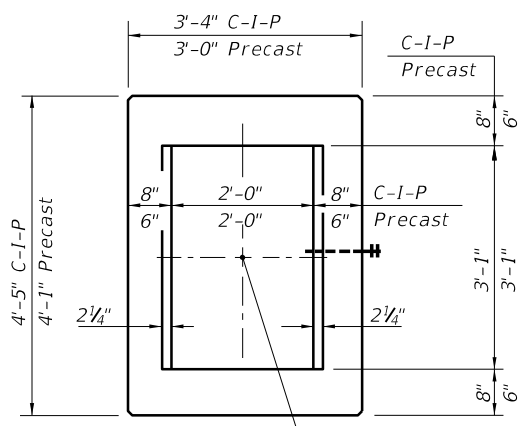
TOP SLAB WITH CENTERED OPENING		
SLAB DEPTH	SLAB THICKNESS	REINFORCING (2 WAYS) SCHEDULE
SIZE: 6'-0"		
0.5' < 8'	9 1/2"	B
8' < 18"	9 1/2"	C
18' < 30'	9 1/2"	D
30' < 37'	9 1/2"	E
37'-40'	9 1/2"	G
SIZE: 8'-0"		
≥0.5' < 9'	11 1/2"	C
9' < 15'	11 1/2"	D
15' < 23'	11 1/2"	E
23' < 33'	11 1/2"	E
33'-40'	11 1/2"	G

ALT. A STRUCTURE BOTTOM FOR INLET TYPE B

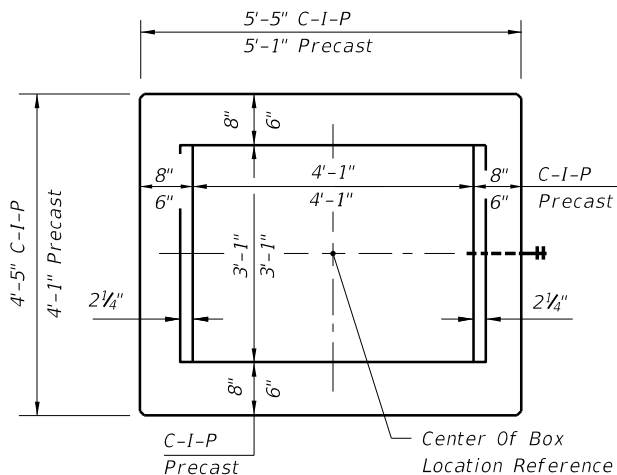
C:\projects\standards\roadway\0200-s\02031-03.dgn 3:19:28 PM sm970re 6/24/2013

LAST REVISION 07/01/05	REVISION	DESCRIPTION:	 <b>FDOT 2014 DESIGN STANDARDS</b>	<b>DITCH BOTTOM INLET TYPE B</b>	INDEX NO. 231	SHEET NO. 3 of 3
---------------------------	----------	--------------	---	----------------------------------	------------------	---------------------

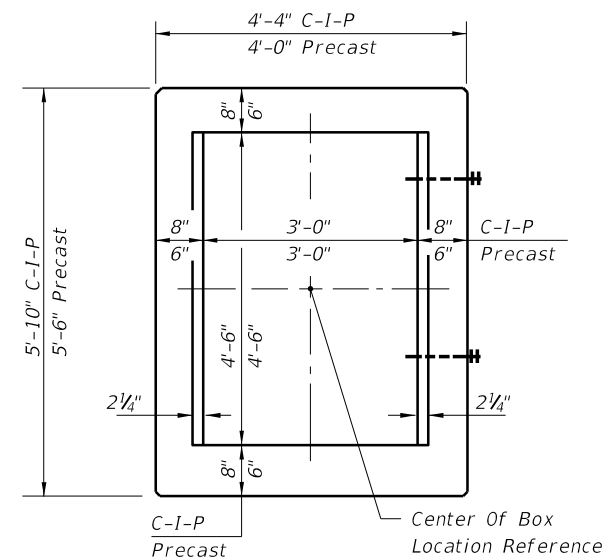
C:\projects\standards\roadway\0200-s\0232-01.dgn  
 sm970re  
 3:19:30 PM  
 6/24/2013



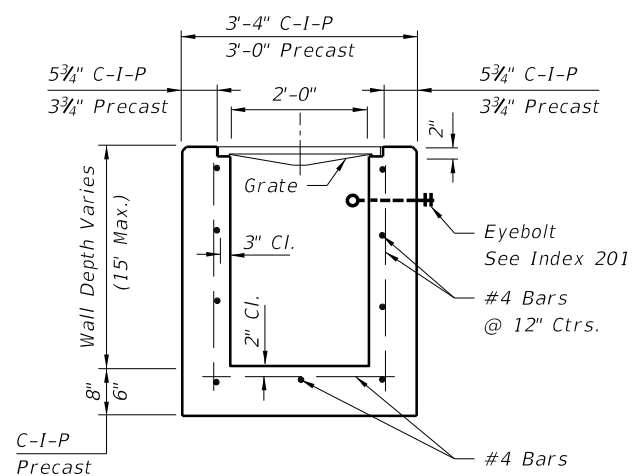
PLAN



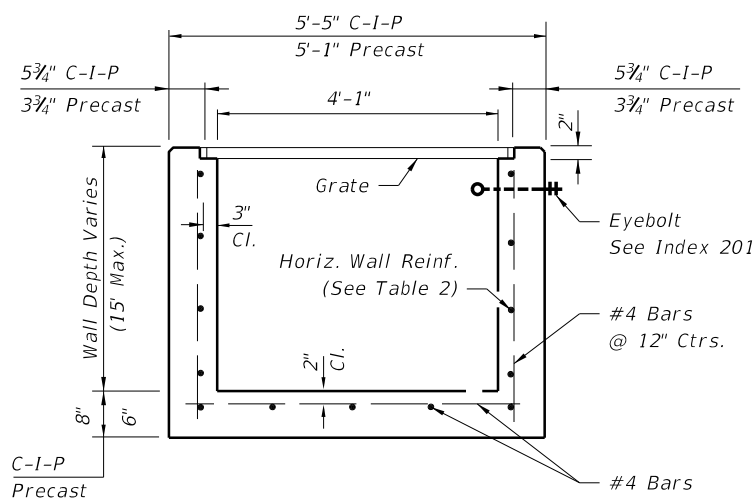
PLAN



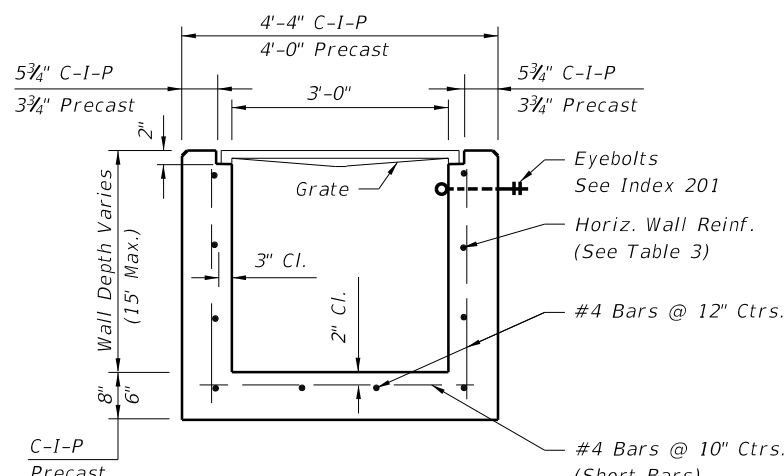
PLAN



SECTION



SECTION



SECTION

HORIZONTAL WALL REINFORCING SCHEDULES (TABLE 1)

WALL DEPTH	SCHEDULE	AREA (in. <sup>2</sup> /ft.)	MAX. SPACING	
			BARS	WWF
0'-15'	A12	0.20	12"	8"

TYPE C

Recommended Maximum Pipe Size:

- 2'-0" Wall - 18" Pipe
- 3'-1" Wall - 24" Pipe (18" where an 18" pipe enters a 2'-0" wall)

HORIZONTAL WALL REINFORCING SCHEDULES (TABLE 2)

WALL DEPTH	SCHEDULE	AREA (in. <sup>2</sup> /ft.)	MAX. SPACING	
			BARS	WWF
0'-6'	A12	0.20	12"	8"
6'-10'	A6	0.20	6"	5"
10'-13'	A4	0.20	4"	3"
10'-15'	B5.5	0.24	5 1/2"	5"

TYPE D

Recommended Maximum Pipe Size:

- 3'-1" Wall - 24" Pipe
- 4'-1" Wall - 36" Pipe

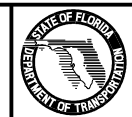
HORIZONTAL WALL REINFORCING SCHEDULES (TABLE 3)

WALL DEPTH	SCHEDULE	AREA (in. <sup>2</sup> /ft.)	MAX. SPACING	
			BARS	WWF
0'-5'	A12	0.20	12"	8"
0'-7.5'	A6	0.20	6"	5"
7.5'-10'	B5.5	0.24	5 1/2"	5"
10'-15'	C6.5	0.37	6 1/2"	6"

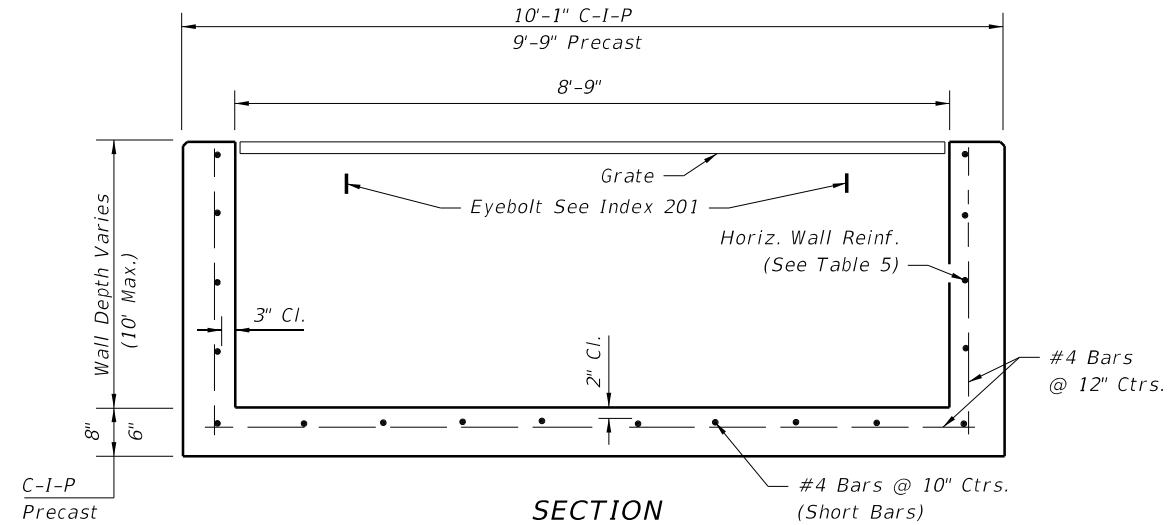
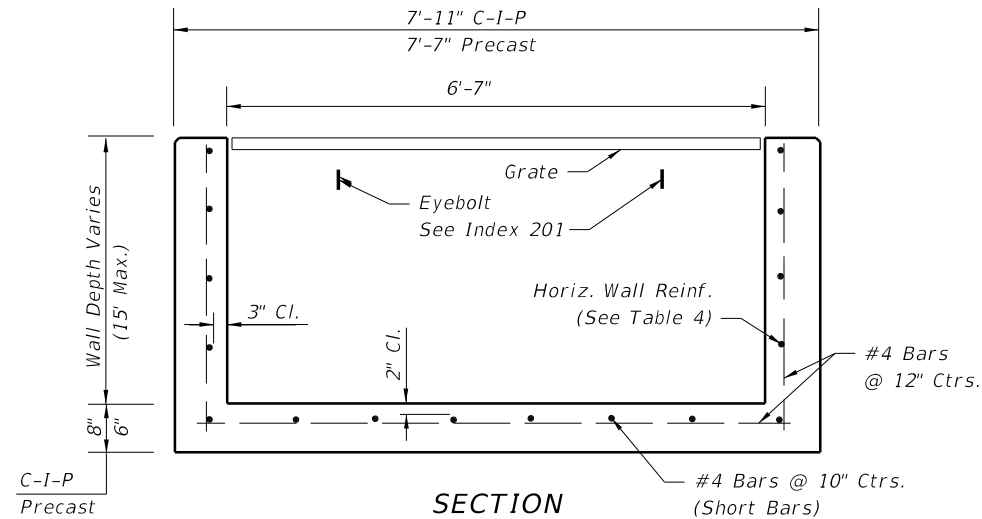
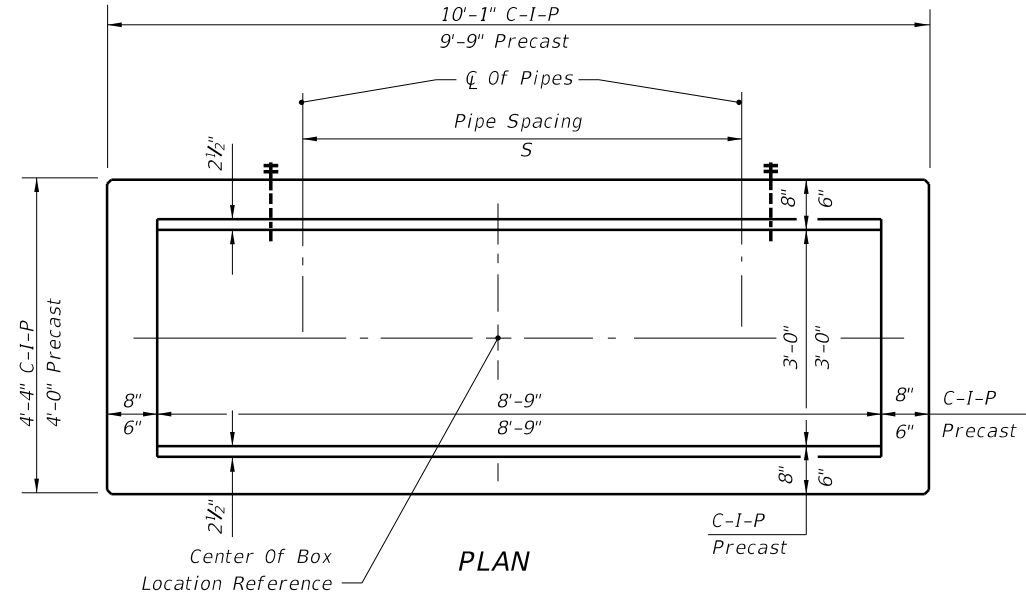
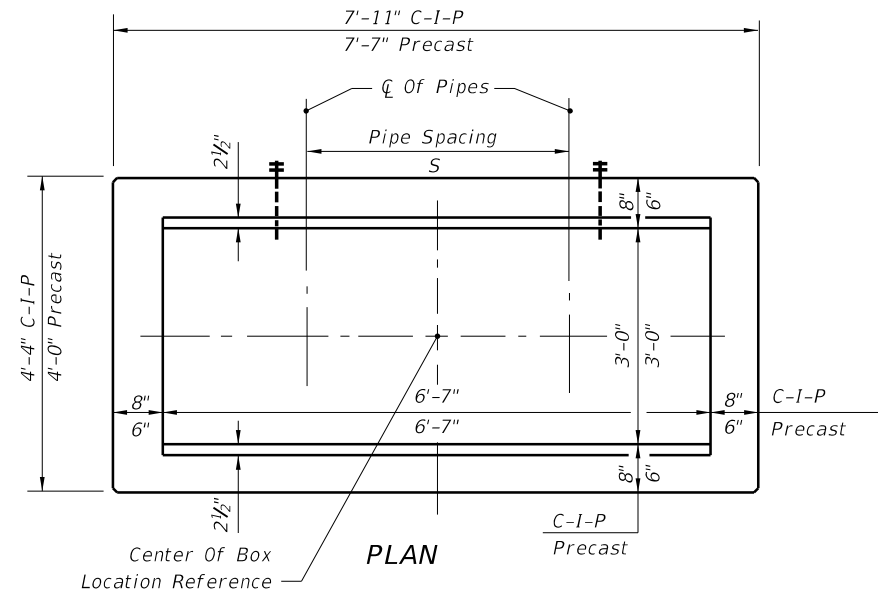
TYPE E

Recommended Maximum Pipe Size:

- 3'-0" Wall - 24" Pipe
- 4'-6" Wall - 36" Pipe



6/24/2013 3:19:31 PM sm970re C:\p\projects\standards\roadway\02200-s\02232-02.dgn



HORIZONTAL WALL REINFORCING SCHEDULES (TABLE 4)

WALL DEPTH	SCHEDULE	AREA (in. <sup>2</sup> /ft.)	MAX. SPACING	
			BARS	WWF
0'-5'	B5.5	0.24	5 1/2"	5"
5'-7'	C6.5	0.37	6 1/2"	6"
7'-15'	D4.5	0.53	4 1/2"	4"

HORIZONTAL WALL REINFORCING SCHEDULES (TABLE 5)

WALL DEPTH	SCHEDULE	AREA (in. <sup>2</sup> /ft.)	MAX. SPACING	
			BARS	WWF
0'-5'	C3.5	0.37	3 1/2"	3"
5'-10'	D4.5	0.53	4 1/2"	4"

**TYPE H (2 & 3-GRATE INLET)**

Recommended Maximum Pipe Size:  
 3'-0" Wall - 24" Pipe  
 6'-7" Wall - 1-60" Pipe  
 Or 2-24" Pipe (S=3'-5")

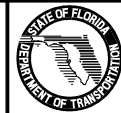
**TYPE H (4-GRATE INLET)**

Recommended Maximum Pipe Size:  
 3'-0" Wall - 24" Pipe  
 8'-9" Wall - 1-78" Pipe  
 Or 2-30" Pipe (S=4'-3")

**GENERAL NOTES**  
 See Sheet 3 of 7.

LAST REVISION  
 07/01/05

REVISION DESCRIPTION:

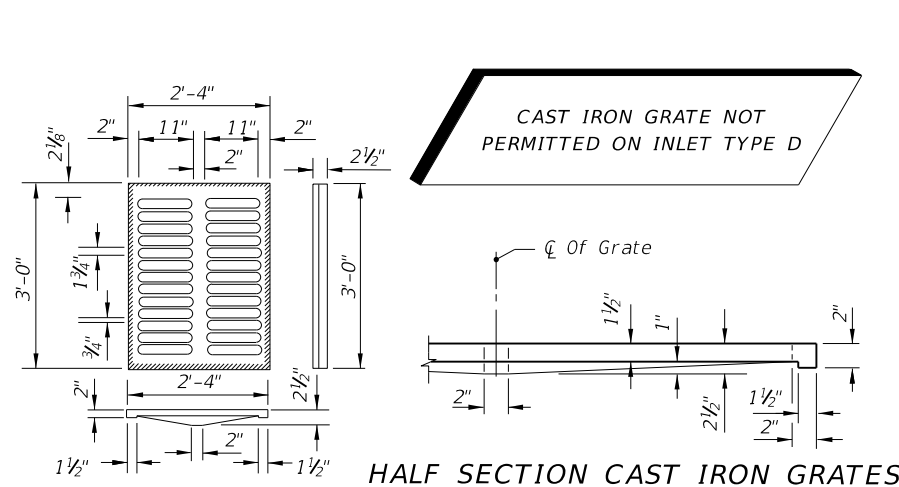


FDOT 2014  
 DESIGN STANDARDS

DITCH BOTTOM INLET TYPES C, D, E AND H

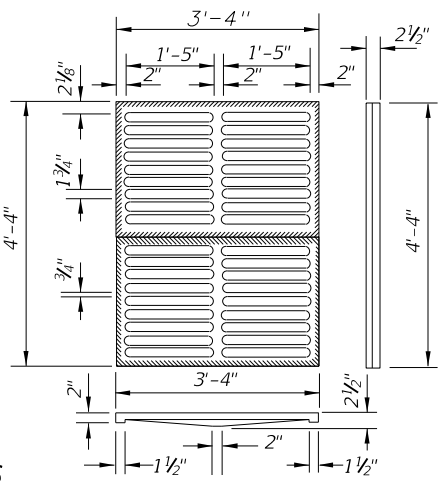
INDEX NO.  
 232

SHEET NO.  
 2 of 7

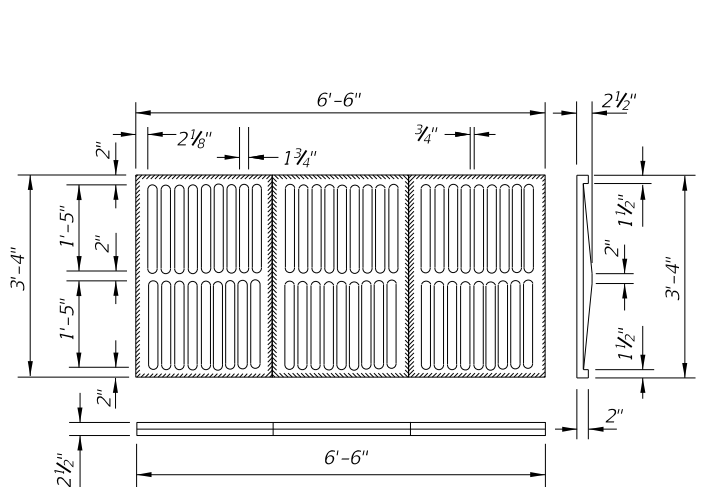


HALF SECTION CAST IRON GRATES

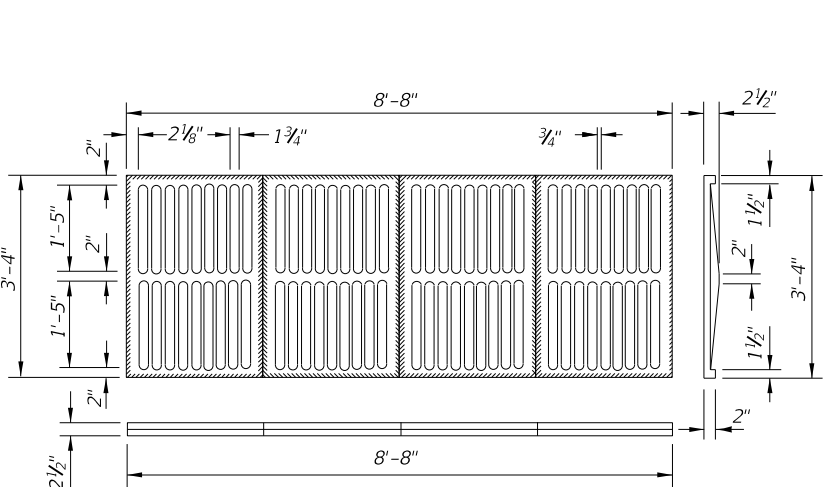
**TYPE C**  
Approx. Weight 235 Lbs.



**TYPE E**  
Approx. Weight 465 Lbs.

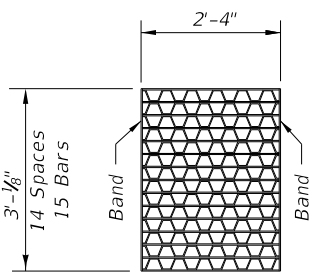


**TYPE H (3-GRATE INLET)**  
Approx. Weight 725 Lbs.

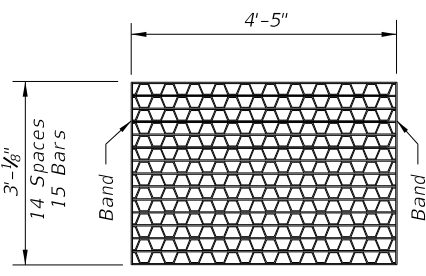


**TYPE H (4-GRATE INLET)**  
Approx. Weight 967 Lbs.

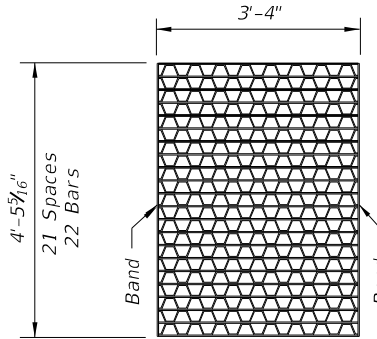
**CAST IRON GRATES**



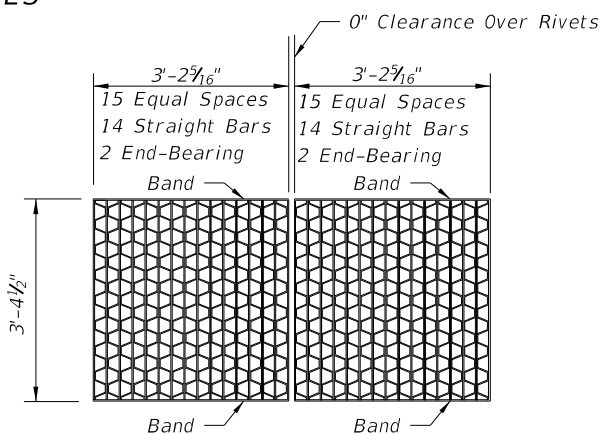
**TYPE C**  
Straight Bars 2" x 1/4"  
Reticuline Bars 1 1/4" x 3/16"  
Bands 2" x 1/4"  
Approx. Weight 104 Lbs.



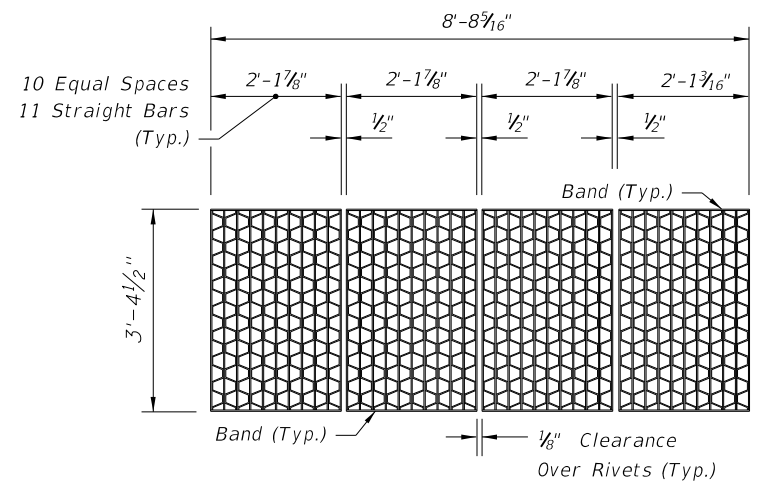
**TYPE D**  
Straight Bars 2" x 1/4"  
Reticuline Bars 1 1/4" x 3/16"  
Bands 2" x 1/4"  
Approx. Weight 190 Lbs.



**TYPE E**  
Straight Bars 2" x 1/4"  
Reticuline Bars 1 1/4" x 3/16"  
Bands 2" x 1/4"  
Approx. Weight 215 Lbs.



**TYPE H (2-GRATE INLET)**  
Straight End-Bearing Bars 2" x 3/8"  
Straight Bearing Bars 2" x 1/4"  
Reticuline Bars 1 1/4" x 3/16"  
Banding Bars 2" x 1/4"  
Approx. Total Weight 310 Lbs.



**TYPE H (4-GRATE INLET)**  
Straight End-Bearing Bars 2" x 1/4"  
Reticuline Bars 1 1/4" x 3/16"  
Banding Bars 2" x 3/8"  
Approx. Total Weight 388 Lbs.


**STEEL GRATES**

NOTE: Steel Grates Are Required On Inlets With Traversable Slots And On Inlets where Bicycle Traffic Is Anticipated.

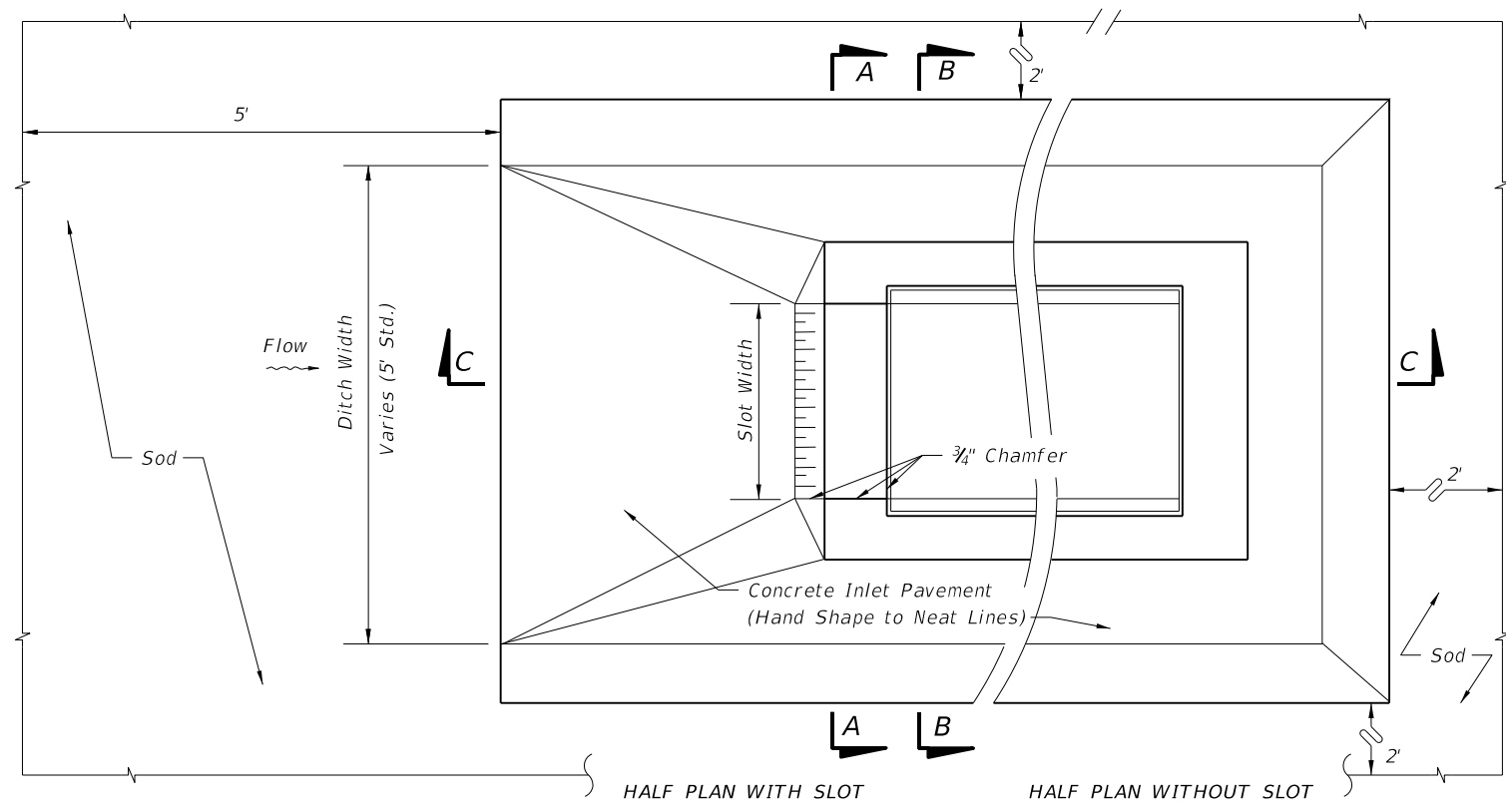
**GENERAL NOTES**

- These inlets are suitable for bicycle traffic and are to be used in ditches, medians and other areas subject to infrequent traffic loadings but are not to be placed in areas subject to any heavy wheel loads. These inlets may be placed in areas subject to occasional pedestrian traffic such as landscaped areas and pavement areas where pedestrians can walk around the inlet.
- Inlets subject to minimal debris should be constructed without slots. Where debris is a problem inlets should be constructed with slots. Slotted inlets located within roadway clear zones and areas subject to pedestrians shall have traversable slots. The traversable slot modification is not adaptable to inlet Type H. Slots may be constructed at either or both ends as shown on plans. Traversable slots shall not be used in areas subject to occasional bicycle traffic.
- Steel grates are to be used on all inlets where bicycle traffic is anticipated. Steel grates are to be used on all inlets with traversable slots. Either cast iron or steel grates may be used on inlets without slots where bicycle traffic is not anticipated. Either cast iron or steel grates may be used on all inlets with non-traversable slots. Subject to the selection described above, when Alternate G grate is specified in the plans, either the steel grate, hot dip galvanized after fabrication, or the cast iron grate may be used, unless the plans stipulate the particular type.
- Recommended maximum pipe sizes shown are for concrete pipe. Size for other types of pipe must be checked for fit.
- All exposed edges and corners shall be 3/4" chamfer or tooled to 1/4" radius.
- Concrete inlet pavement to be used on inlets without slots and inlets with non-traversable slots only when called for in the plans; but required on all traversable slot inlets. Cost to be included in contract unit price for inlets. Quantities shown are for information only.
- Traversable slots constructed in existing inlets shall be paid for as inlets partial. For conversion work and method of payment see 'TRAVERSABLE SLOT INLETS (PARTIAL) FOR EXISTING INLETS'.
- Sodding to be used on all inlets not located in paved areas and paid for under contract unit price for Performance Turf, SY.
- For supplementary details see Index No. 201.
- All reinforcing is Grade 60 bars with 2" min. cover unless otherwise noted. Bars to be cut or bent for 1 1/2" clearance around pipe opening. Provide one additional #4 bar above and at each side of pipe opening.

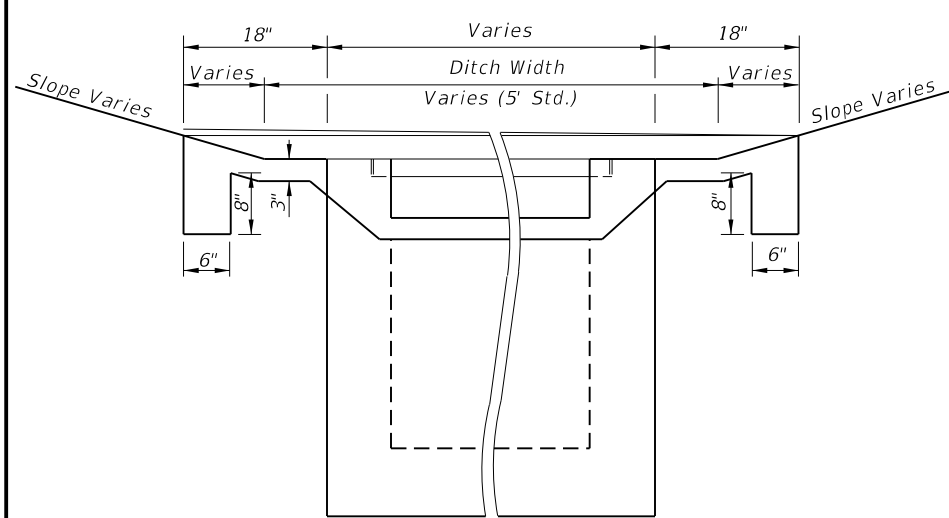
6/24/2013 3:19:33 PM sm970re C:\p\projects\standards\roadway\02200-s\02232-03.dgn

LAST REVISION 07/01/10	REVISION	DESCRIPTION:	 <p><b>FDOT 2014 DESIGN STANDARDS</b></p>	<p><b>DITCH BOTTOM INLET TYPES C, D, E AND H</b></p>	INDEX NO. <b>232</b>	SHEET NO. <b>3 of 7</b>
---------------------------	----------	--------------	--	--	-------------------------	----------------------------

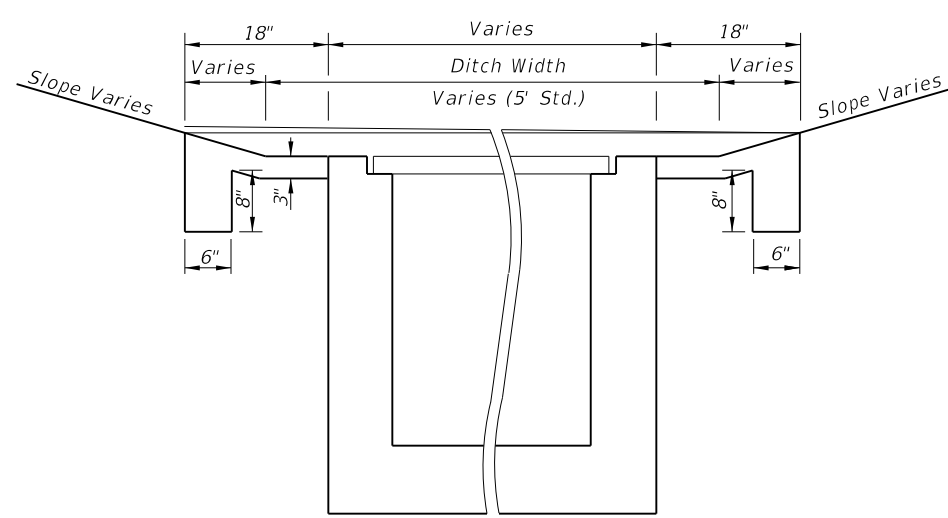
C:\projects\standards\roadway\02200-s\02232-04.dgn  
 smg70re  
 3:19:35 PM  
 6/24/2013



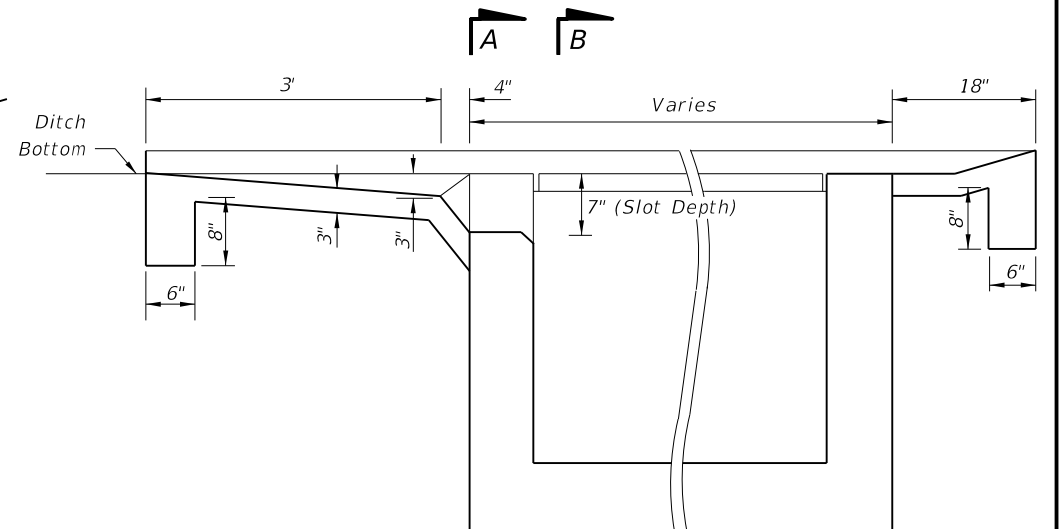
PLAN VIEW



SECTION AA



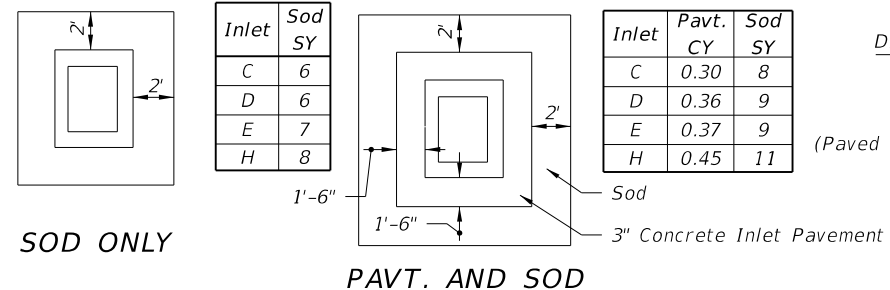
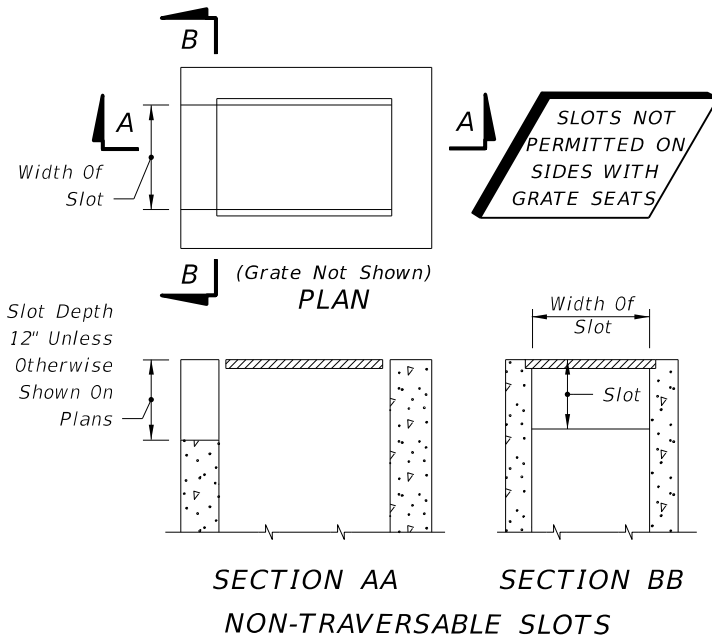
SECTION BB



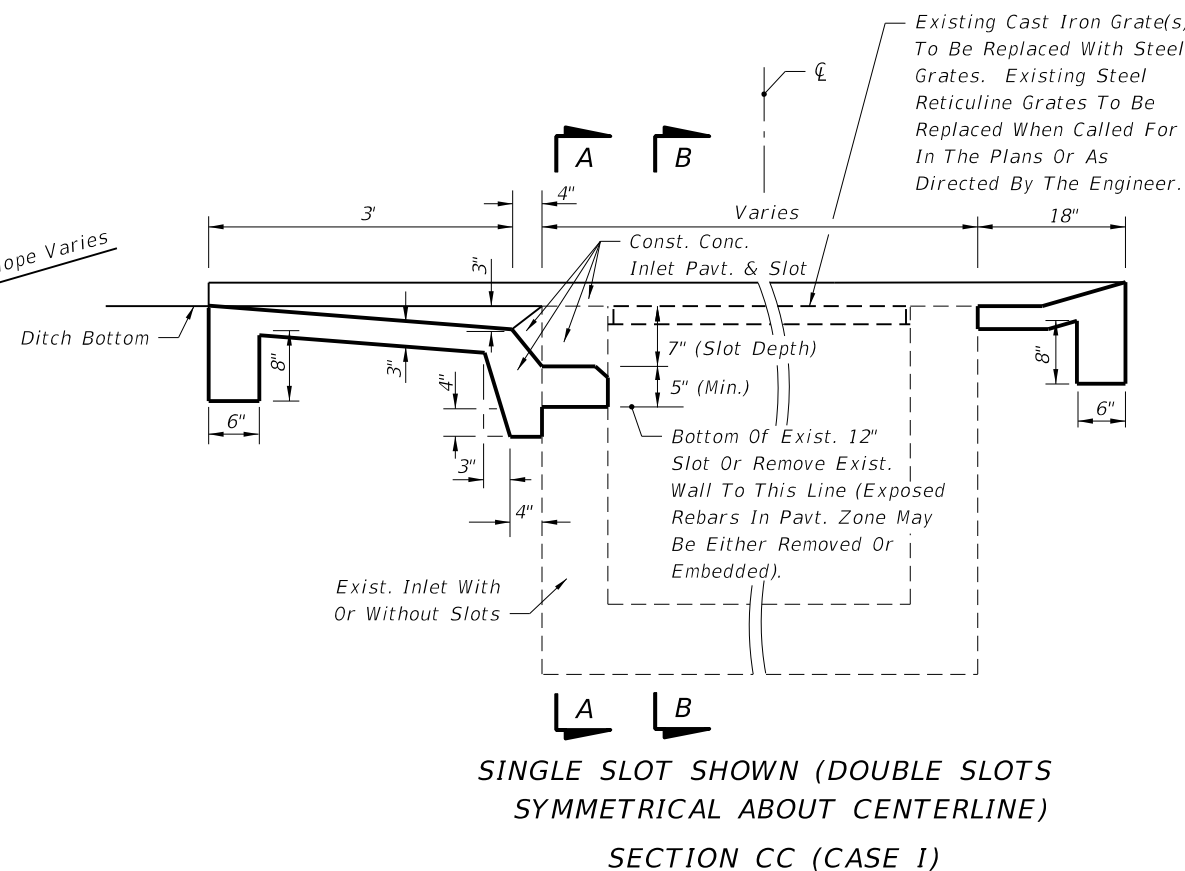
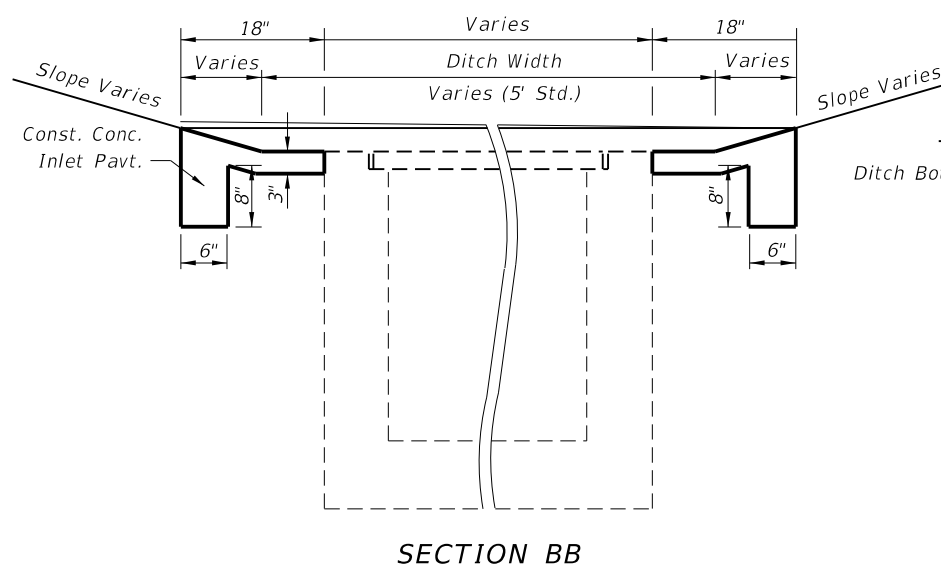
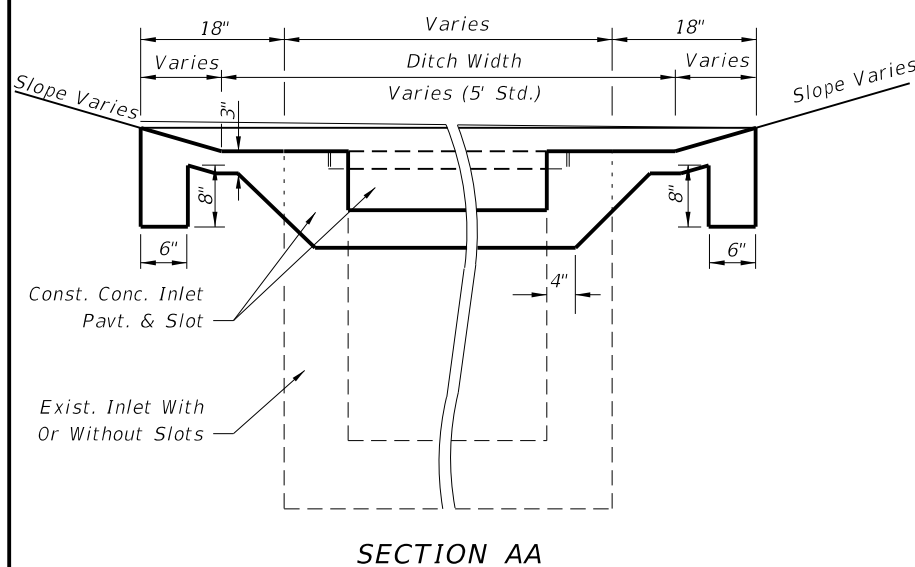
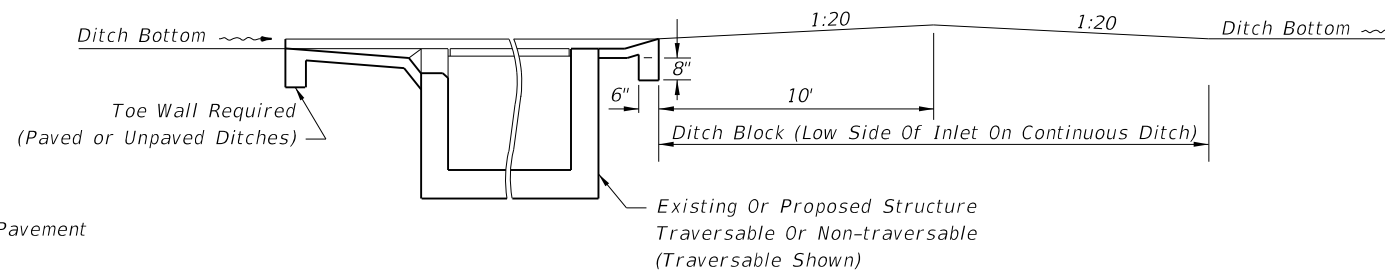
SECTION CC

PAVEMENT AND SODDING QUANTITIES FOR TRAVERSABLE SLOTS					
Inlet	Pavement		Sod		SY
	Single Slot	Double Slot	Single Slot	Double Slot	
	SY	CY	SY	CY	SY
C	4.87	0.77	6.16	0.93	12
D	5.99	0.91	7.70	1.10	14
E	5.88	0.91	7.37	1.08	18

TRAVERSABLE SLOTS



NOTE: See General Notes Nos. 6 and 7, Sheet 3 of 7.  
**SODDING AND PAVEMENT FOR INLETS WITHOUT SLOTS AND INLETS WITH NON-TRAVERSABLE SLOTS**



Inlet	Pavement				Sod	
	Single Slot		Double Slot		Single Slot	Double Slot
	SY	CY	SY	CY	SY	SY
C	4.87	0.83	6.16	1.05	12	16
D	5.99	1.01	7.70	1.30	14	19
E	5.88	0.99	7.37	1.24	14	18

NOTE: For plan view and additional details see Sheet 4 of 7.  
 For payment see General Notes Nos. 6 and 7, Sheet 3 of 7.  
**TRAVERSABLE SLOTS FOR EXISTING INLETS**

6/24/2013 3:19:37 PM sm970re C:\projects\standards\roadway\02200-s\02232-05.dgn

**DESIGN NOTES FOR TRAVERSABLE SLOT INLETS (PARTIAL) FOR EXISTING INLETS**

1. The general purpose of these conversions is to remove the hazard of the protruding inlet top, while not creating a hazard by depressing the top too deeply.
2. The corrective procedure depends on the approach ditch grade and hydraulic requirements of the site. The selection of the appropriate case depends on the relationship between inlet top and ditch elevation, and, on the vertical clearance between the top of the uppermost pipe(s) and the grate. The purpose for the Case 1 conversion is to add the traversable slot to an existing inlet where top removal, change in grate elevation and ditch transitions are not required. Case 2 will normally be applicable to ditches with flatter grades adjoining the inlet. Case 3 will normally be applicable to ditches with steeper grades adjoining the inlet where build up of the existing ditch is acceptable.
3. The designer shall stipulate in the plans which case is to be constructed at each individual inlet location.

Where the existing inlet top is above the existing ditch (Case 2) but borrow material will be required to adjust the ditch (Case 3), and vertical clearance or other conditions do not prevent removal of the inlet top, the designer should call for Case 2. The designer shall determine if ditch reconstruction is required more than 35 feet beyond any traversable slot side and shall include separate pay items in the plans to cover the cost for that portion of required ditch reconstruction exceeding the 35 foot limit. The designer shall also determine whether ditch pavement is required for ditch restoration within the 35 foot limit and include that pavement under a pay item separate from the inlets partial.

When the detention ditch concept is to be used with Case 3, the designer shall stipulate 'Case 3 (Detention)' in the plans.

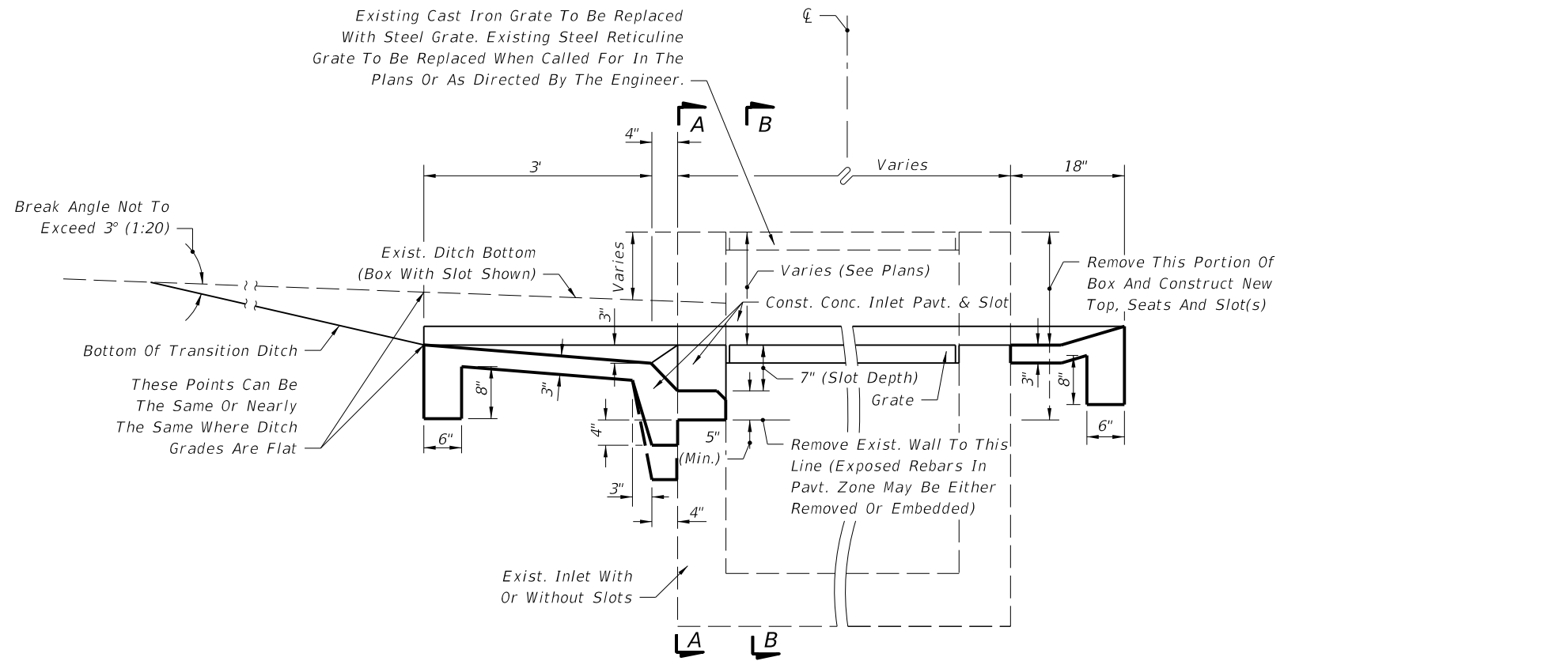
The designer shall determine whether tight soil or other conditions at each individual inlet indicates the need for underdrain in Case 3 conversions and shall call for Underdrain, Type I in the plans.

**METHOD OF PAYMENT FOR TRAVERSABLE SLOT INLETS (PARTIAL) FOR EXISTING INLETS**

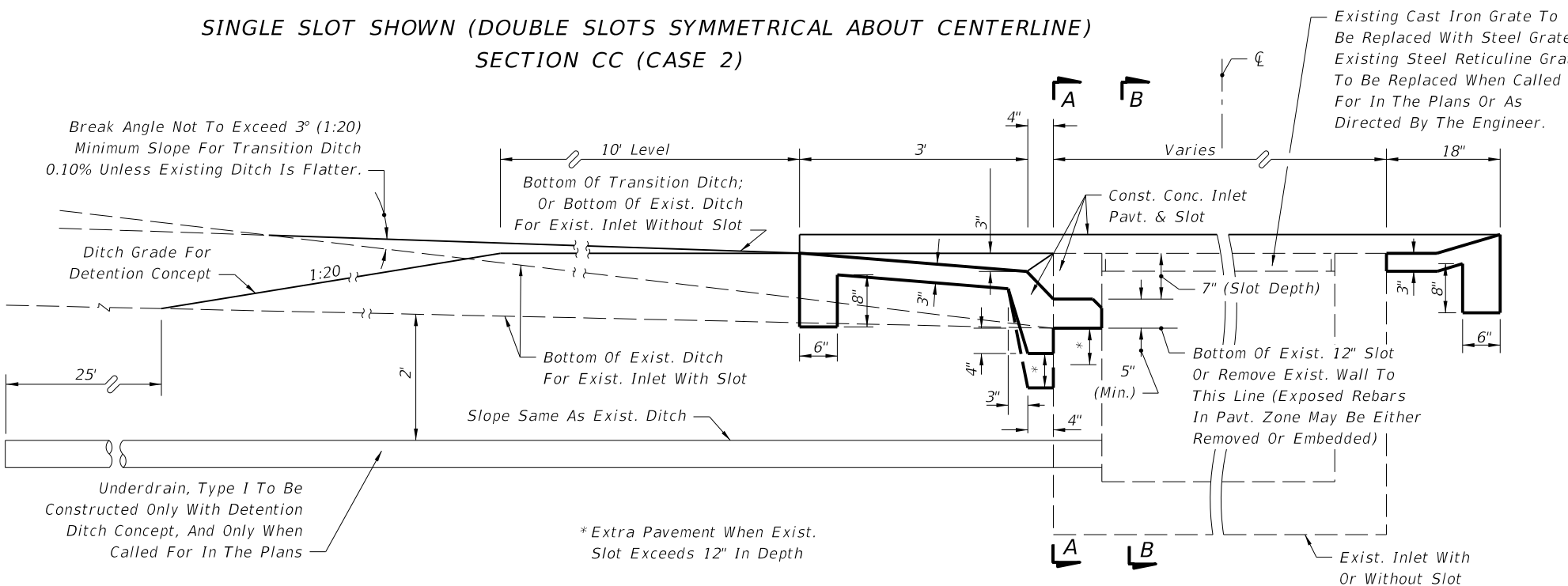
1. Existing inlets converted to traversable slot tops under Cases 1, 2 and 3 shall be paid for as inlets partial, each. Case shall not be included in the pay item description.
2. All ditch reconstruction work within 35 feet of each traversable slot conversion, whether required by these details or as a direct result of the conversion, shall be included as a part of the partial cost. Reconstruction work shall include excavation and removal of surplus materials or borrow materials in place, grading, compaction, shaping and restoration of disturbed turf. Sodding, ditch pavement and underdrain are not included as part of the inlet partial cost and are to be paid for separately.
3. Concrete inlet pavement and sodding shall be in accordance with the sections on this detail and with the Plan on Sheet 4 and Sections AA, BB and CC (as Case 1) and tabular quantities on Sheet 5.
4. Unit price and payment shall constitute full compensation for inlet conversion (including concrete inlet paving and replacement grate(s)), ditch reconstruction, restoration of disturbed turf, and shall be paid for under the contract price for Inlets (DT Bot) (Type \_\_) (Partial), each.

Sodding shall be paid for under the contract unit price for Performance Turf, SY.

Ditch pavement shall be paid for separate from the inlet by pavement type(s) and unit(s) as called for in the plans.




**SINGLE SLOT SHOWN (DOUBLE SLOTS SYMMETRICAL ABOUT CENTERLINE) SECTION CC (CASE 2)**



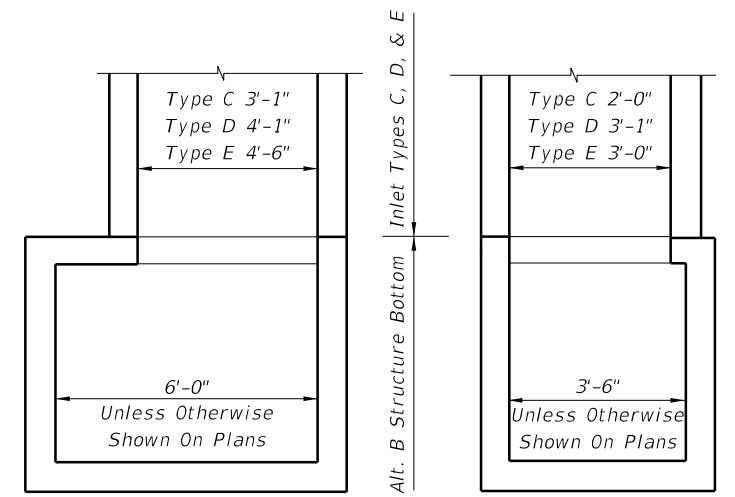
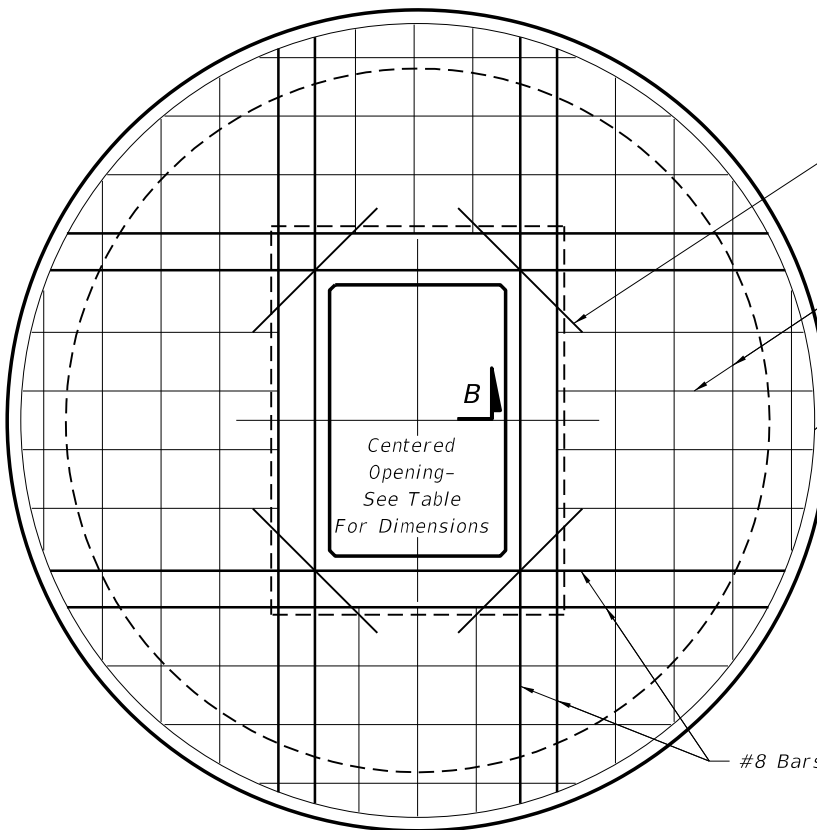
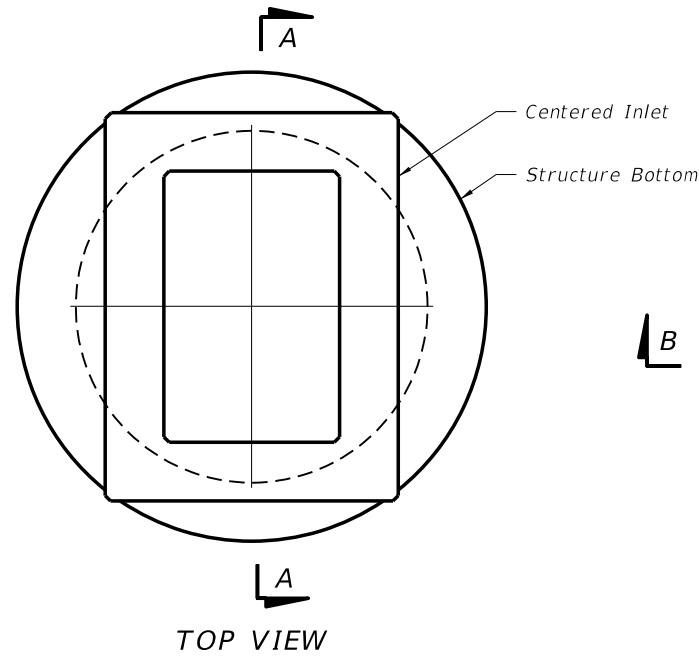
**SINGLE SLOT SHOWN (DOUBLE SLOTS SYMMETRICAL ABOUT CENTERLINE) SECTION CC (CASE 3)**

**TRAVERSABLE SLOT INLETS (PARTIAL) FOR EXISTING INLETS**

C:\projects\standards\roadway\02200-s\02232-06.dgn smg70re 3:19:39 PM 6/24/2013

LAST REVISION 07/01/07	REVISION	DESCRIPTION:	 <p><b>FDOT 2014 DESIGN STANDARDS</b></p>	<p><b>DITCH BOTTOM INLET TYPES C, D, E AND H</b></p>	<p>INDEX NO. <b>232</b></p>	<p>SHEET NO. <b>6 of 7</b></p>
---------------------------	----------	--------------	--	--	---------------------------------	------------------------------------





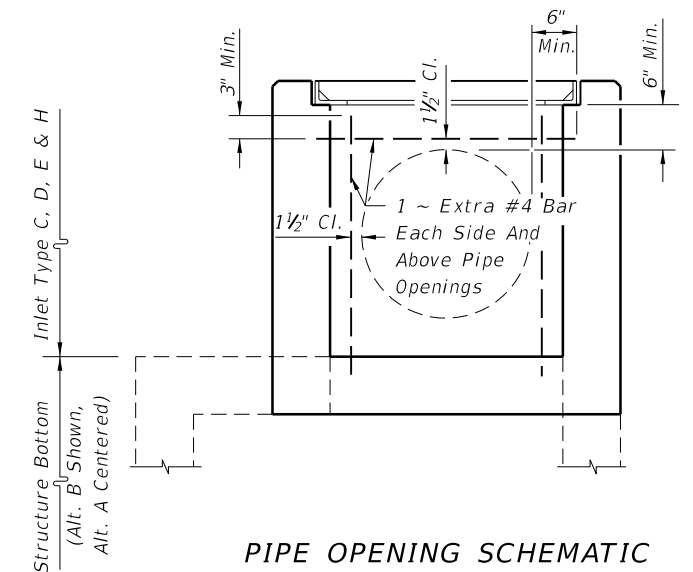
See Index No. 200 for structure bottom details and hole reinforcement.

**ALT. B STRUCTURE BOTTOM FOR INLETS TYPE C, D & E**

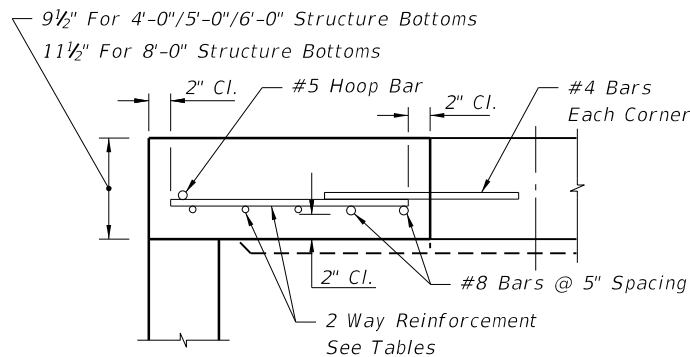
TOP SLAB OPENINGS		
DIAMETER	OPENING SIZE	
	MIN.	MAX.
4'-0"	2'-0" x 3'-1"	2'-0" x 3'-1"
5'-0"	2'-0" x 3'-1"	3'-1" x 4'-1"
6'-0"	2'-0" x 3'-1"	3'-0" x 4'-6"
8'-0"	2'-0" x 3'-1"	3'-0" x 4'-6"

TOP SLAB REINFORCING SCHEDULE	
SCHEDULE	GRADE 60 (BAR) OR 65 KSI & 70 KSI (WIRE FABRIC) In. <sup>2</sup> /ft.
A	0.20
B	0.24
C	0.37
D	0.53
E	0.73
F	1.06
G	1.45

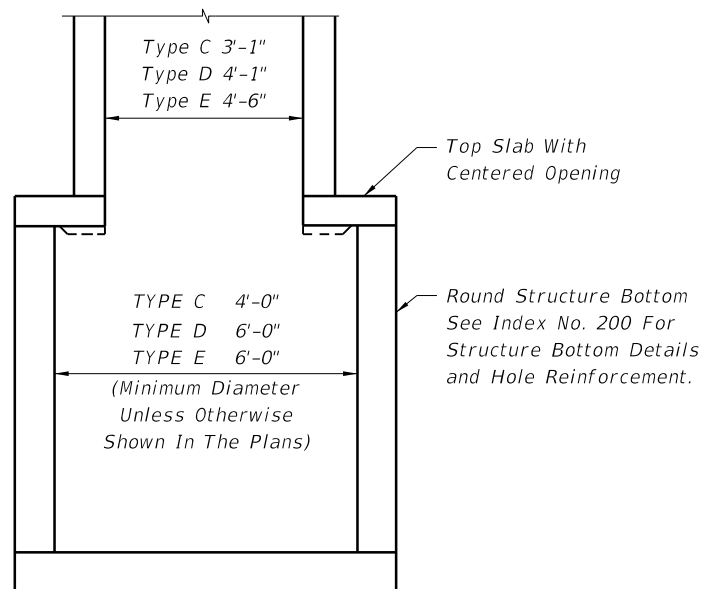
TOP SLAB WITH CENTERED OPENING		
SLAB DEPTH	SLAB THICKNESS	REINFORCING (2 WAYS) SCHEDULE
SIZE: 4'-0"		
≥0.5'-40'	9½"	C
SIZE: 5'-0"		
≥0.5' < 30'	9½"	C
30'-40'	9½"	D
SIZE: 6'-0"		
0.5' < 8'	9½"	B
8' < 18'	9½"	C
18' < 30'	9½"	D
30' < 37'	9½"	E
37'-40'	9½"	G
SIZE: 8'-0"		
≥0.5' < 9'	11½"	C
9' < 15'	11½"	D
15' < 23'	11½"	E
23' < 33'	11½"	E
33'-40'	11½"	G



TOP SLAB REINFORCING DIAGRAM



SECTION BB

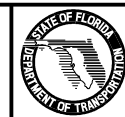


SECTION AA

**ALT. A STRUCTURE BOTTOM FOR INLETS TYPE C, D AND E**

6/24/2013 3:19:41 PM sm970re C:\projects\standards\roadway\02200-s\02232-07.dgn

LAST REVISION	DESCRIPTION:
07/01/05	

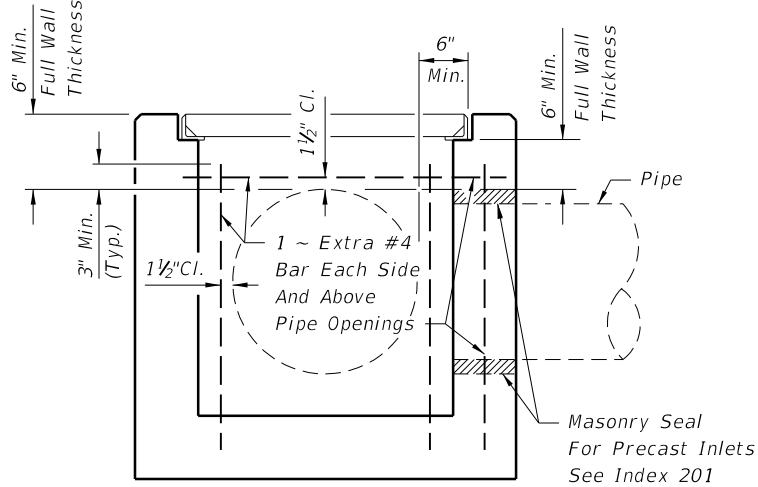
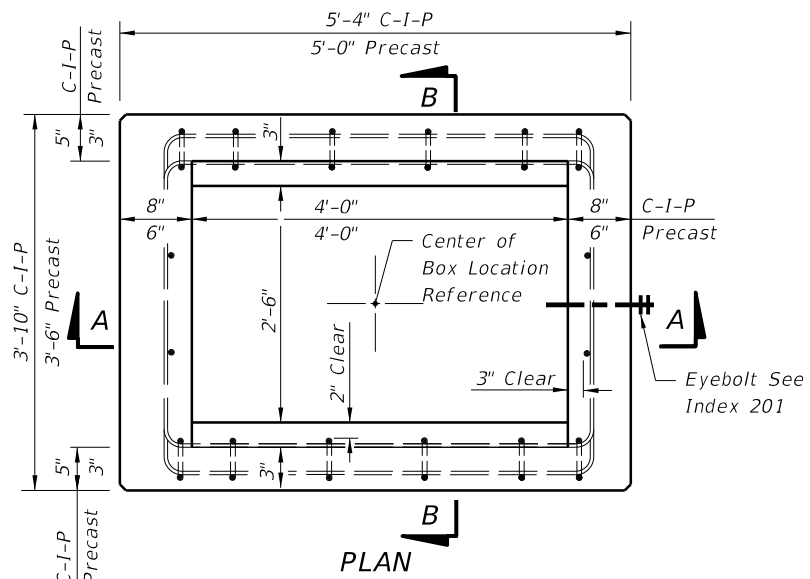


FDOT 2014 DESIGN STANDARDS

DITCH BOTTOM INLET TYPES C, D, E AND H

INDEX NO. 232

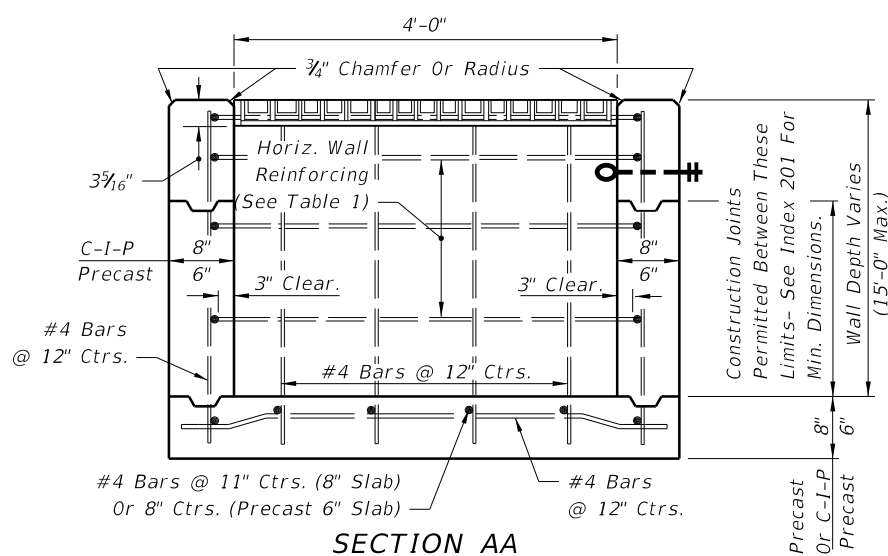
SHEET NO. 7 of 7



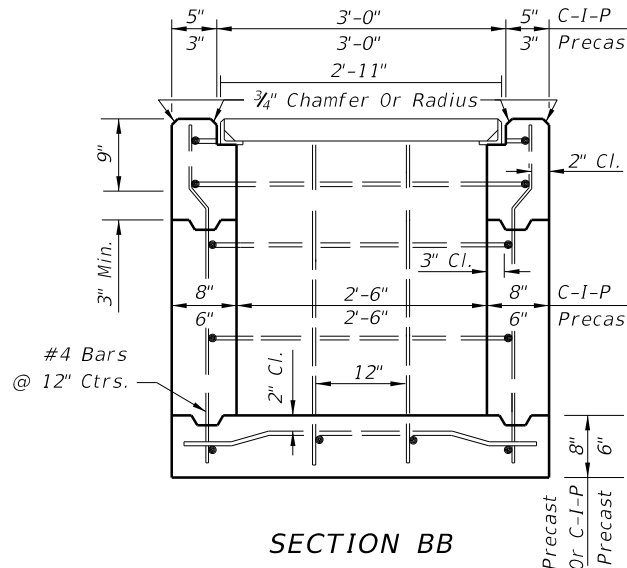
(TYPE F SHOWN, TYPE G SIMILAR)  
PIPE OPENING SCHEMATIC

**GENERAL NOTES**

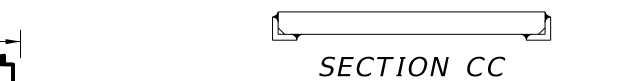
1. These inlets are designed for use in ditches, medians, pavement areas, or other areas subject to heavy wheel loads, minimal debris, and bicycle traffic. This inlet may be placed in areas subject to occasional pedestrian traffic such as landscaped areas and pavement areas where pedestrians can walk around the inlet. When inlet is placed in areas subject to bicycle traffic, install filler bar when clearance or gap is greater than 1" as shown in Index 218 Inset B.
2. When Alternate G grate is specified in plans, the grate is to be hot dip galvanized after fabrication.
3. These inlets may be used with Alternate B structure bottoms, Index 200. The inlet and bottom combinations are to be paid for under the contract unit price for inlets (DT Bot) (Type F (or G)) (J Bot, Depth), Ea.
4. All exposed edges and corners shall be 3/4" chamfer or tooled to 1/4" radius.
5. For supplemental details, see Index 201.
6. All reinforcing is Grade 60 bars with 2" min. cover unless otherwise noted. Bars to be cut or bent for 1 1/2" clearance around pipe opening. Provide one additional #4 bar above and at each side of pipe opening, as shown.
7. All dimensions are for both precast and cast-in-place inlets unless otherwise noted.



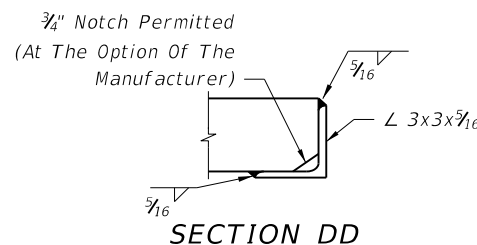
SECTION AA



SECTION BB



SECTION CC



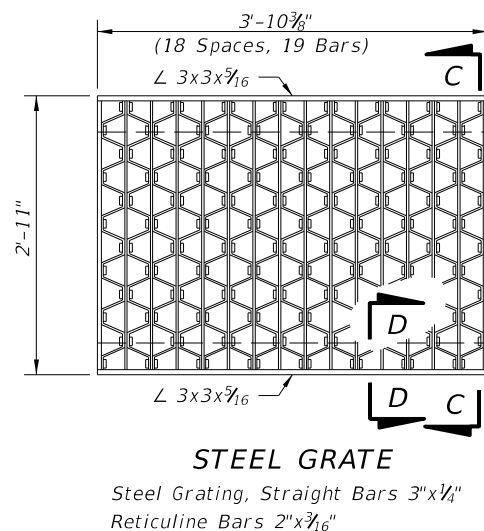
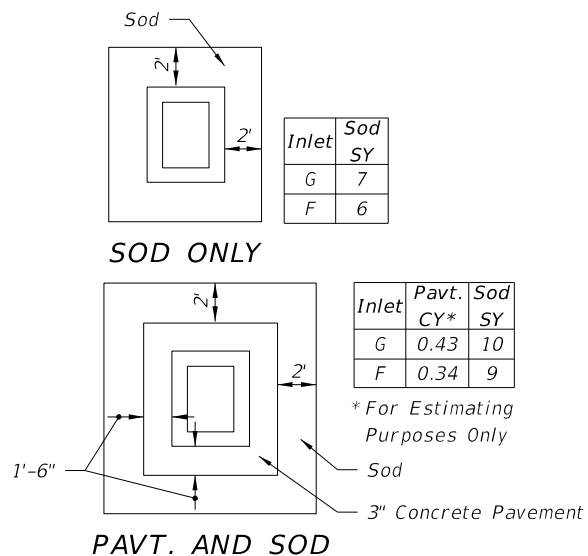
SECTION DD

**HORIZONTAL WALL REINF. SCHEDULES  
TYPE F INLET (TABLE 1)**

WALL DEPTH	SCHEDULE	AREA (in <sup>2</sup> /ft)	MAX. SPACING	
			BARS	WWF
0' - 4'	A12	0.20	12"	8"
4' - 7'	A6	0.20	6"	5"
7' - 12'	B5.5	0.24	5 1/2"	5"
12' - 15'	Special 1	0.267	5"	4"

RECOMMENDED MAXIMUM PIPE SIZES	
INLET INSIDE WIDTH	PIPE SIZE
2'-6" (Type F)	18"
4'-0" (Type F)	30"
4'-10" / 5'-0" (Type G)	42"

Note: Recommended sizes are for concrete pipe. Sizes for other types of pipe must be verified for fit in accordance with Index No. 201. For larger pipe sizes see Note 3.



**STEEL GRATE**  
Steel Grating, Straight Bars 3"x1/4"  
Reticuline Bars 2"x3/16"

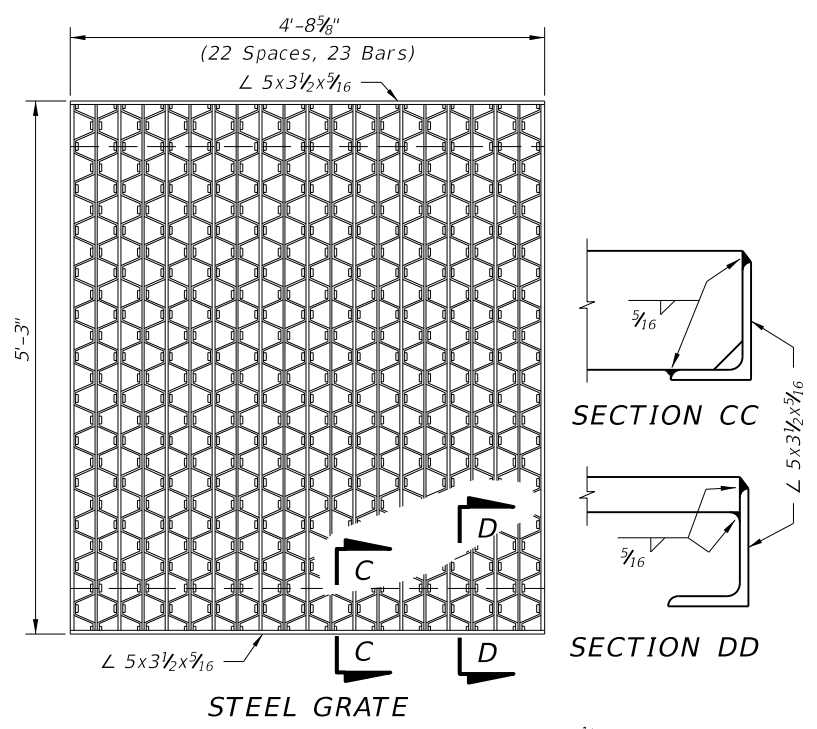
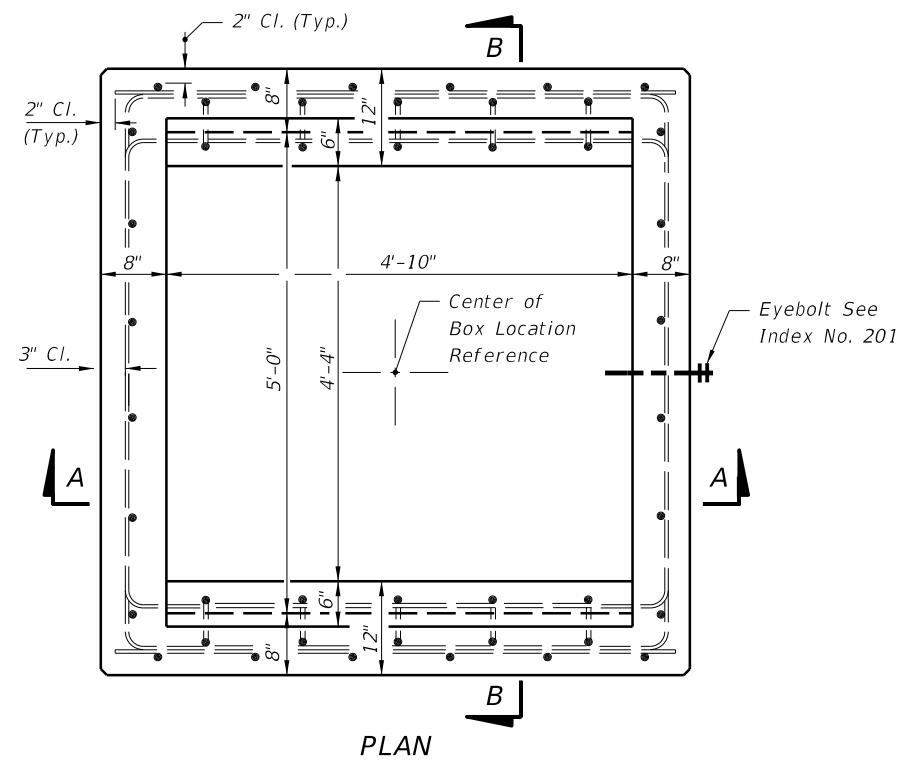
TYPE F

**PAVEMENT AND SODDING**

- Notes:
1. Pavement and/or sod to be used only where called for in the plans.
  2. Cost of paving to be included in cost of inlet.

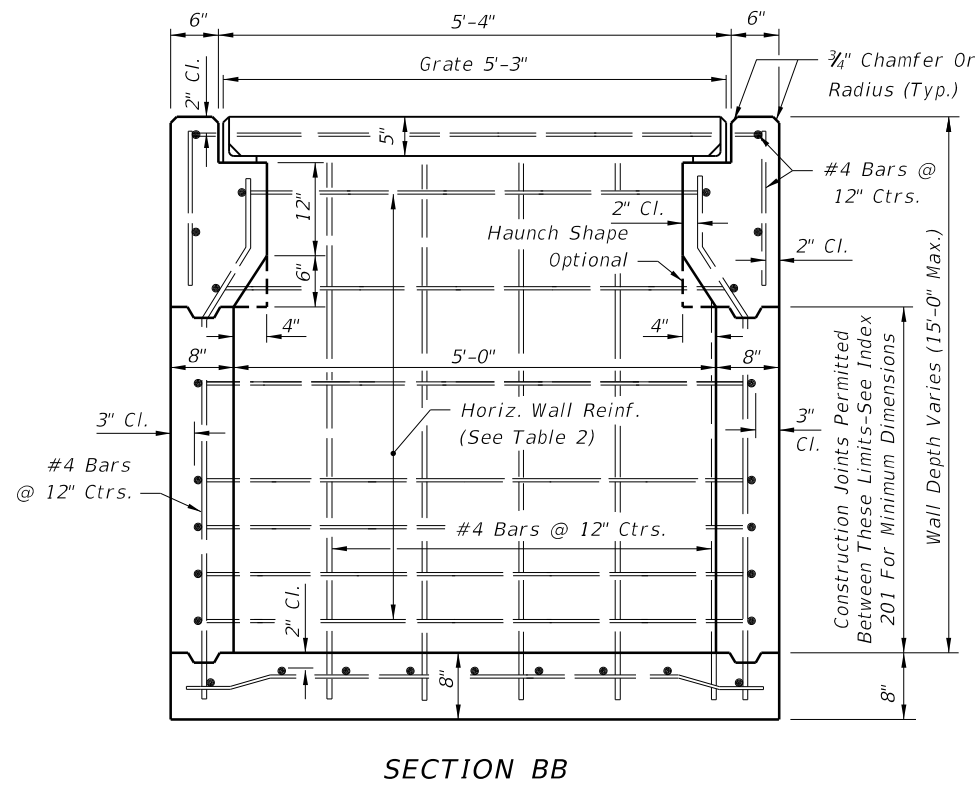
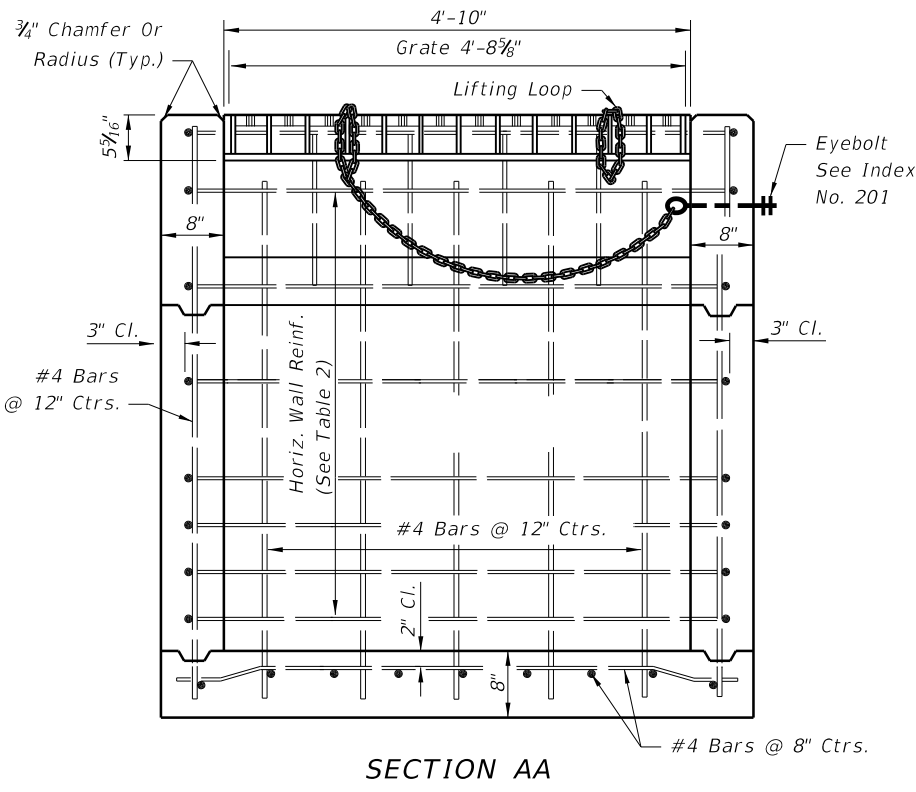
C:\projects\standards\roadway\0200-s\02033-01.dgn 3:19:43 PM sm970re 6/24/2013

C:\projects\standards\roadway\00200-s\00233-02.dgn  
 sm970re  
 3:19:45 PM  
 6/24/2013

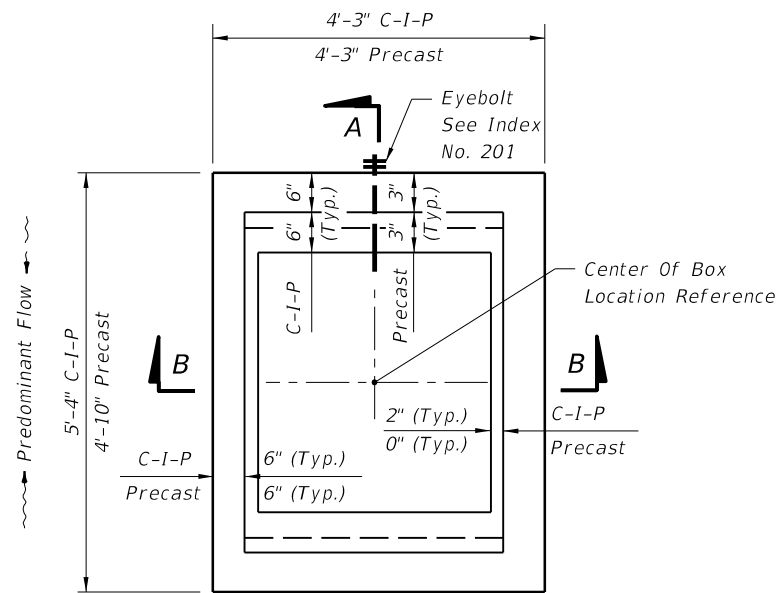


TYPE G INLET (TABLE 2)

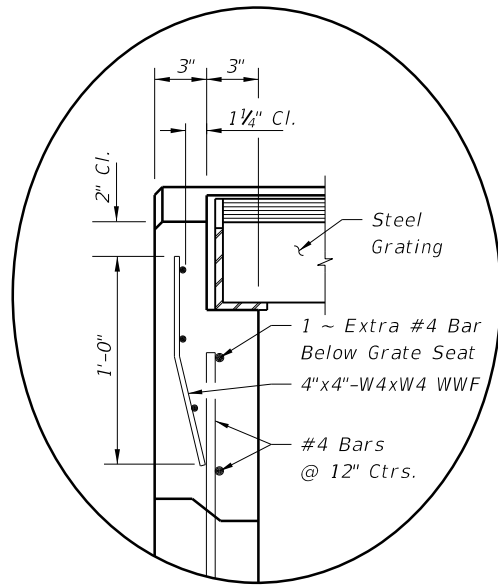
WALL DEPTH	SCHEDULE	AREA (in <sup>2</sup> /ft)	MAX. SPACING	
			BARS	WWF
0' - 3'	A12	0.20	12"	8"
3' - 7'	A6	0.20	6"	5"
7' - 10'	B5.5	0.24	5 1/2"	5"
10' - 15'	C6.5	0.37	6 1/2"	6"



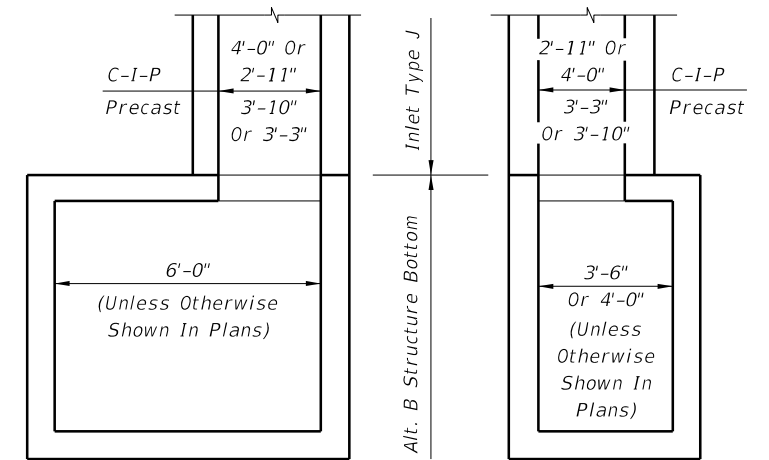
TYPE G



**PLAN**  
(CAST-IN-PLACE INLET SHOWN, WITHOUT GRATE, PRECAST INLET SIMILAR)



**INSET A**  
(PRECAST OPTION)



NOTE: Alt. B Structure Bottom Only. See Index No. 200 for structure bottom details and hole reinforcement.

**INLET WITH STRUCTURE BOTTOM**

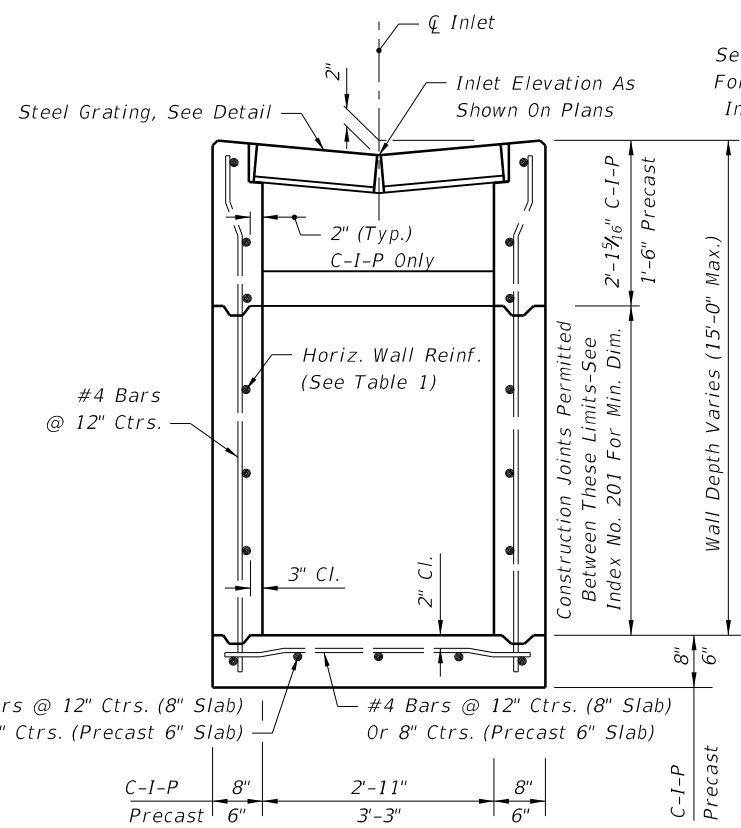
**HORIZONTAL WALL REINFORCING SCHEDULE (TABLE 1)**

WALL DEPTH	SCHEDULE	AREA (In <sup>2</sup> /ft)	MAX. SPACING	
			BARS	WWF
0' - 4'	A12	0.20	12"	8"
4' - 9'	A6	0.20	6"	5"
9' - 12'	A4	0.20	4"	3"
9' - 15'	B5.5	0.24	5½"	5"

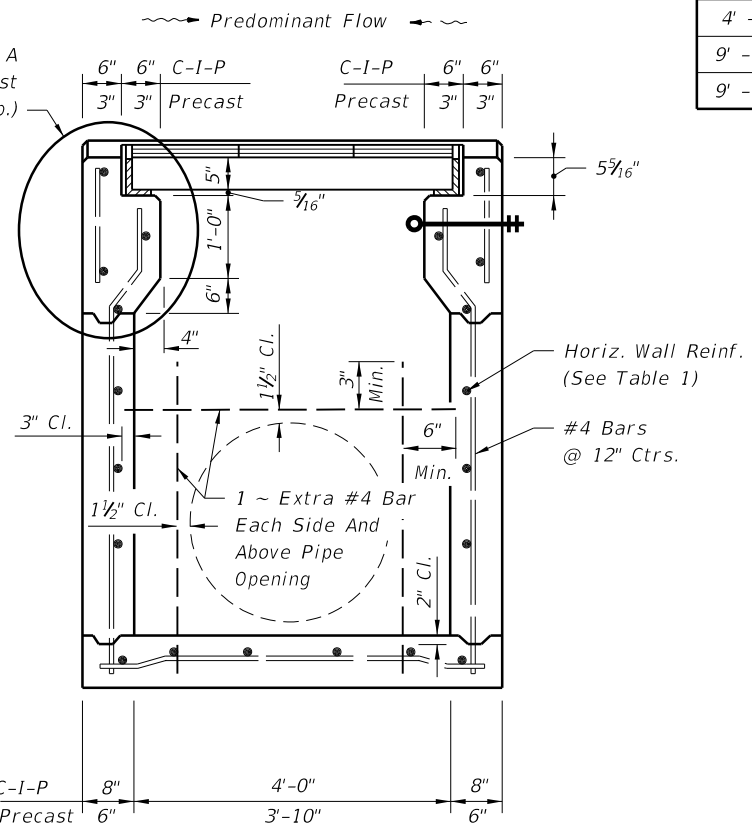
**RECOMMENDED MAXIMUM PIPE SIZES**

INLET INSIDE WIDTH	PIPE SIZE
2'-11" or 3'-3"	24"
3'-10" or 4'-0"	30"

Note: Recommended sizes are for concrete pipe. Sizes for other types of pipe must be verified for fit in accordance with Index No. 201. For larger pipe, see Structure Bottom detail above and Index No. 200.



(Pipe Opening Not Shown)  
**SECTION BB**



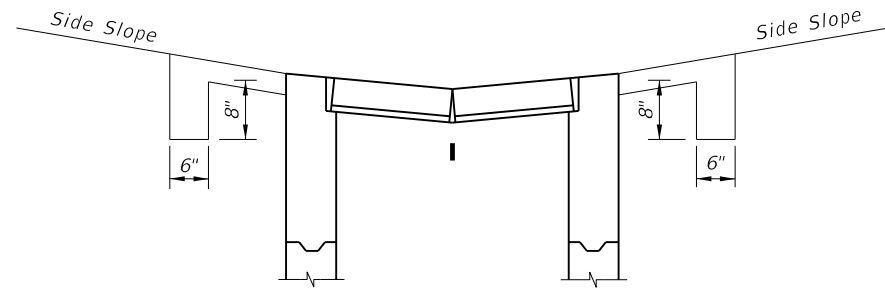
(Pipe Opening Shown)  
**SECTION AA**

**GENERAL NOTES**

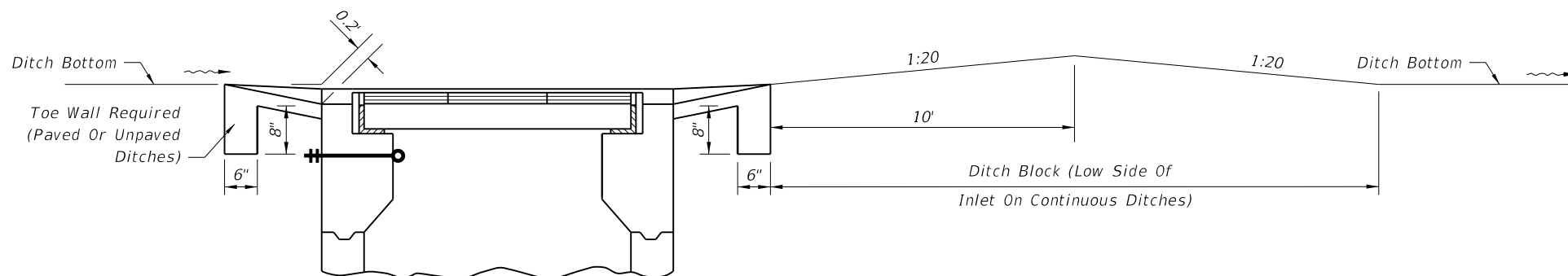
1. This inlet is designed for use in ditches, medians, pavement areas or other areas subject to heavy wheel loads with minimal debris. This inlet is not for use in areas subject to bicycle traffic. This inlet may be placed in areas subject to occasional pedestrian traffic such as landscaped areas and pavement areas where pedestrians can walk around the inlet.
2. All reinforcing Grade 60 bars with 2" min. cover unless otherwise noted. See Index No. 201 for equivalent area of welded wire fabric. Cut or bend bars out of way of pipe when necessary; bars to clear pipe by 1½".
3. All exposed edges and corners shall be ¼" chamfer or tooled to ¼" radius.
4. When alternate G grate is specified in plans the grate is to be hot dip galvanized after fabrication.
5. For supplemental details, see Index No. 201.
6. All dimensions are for both precast and cast-in-place inlets unless otherwise noted.
7. Cost of ditch paving to be included in cost of inlet. Sodding to be paid for under contract unit price for Performance Turf, SY.

C:\projects\standards\roadway\02200-s\02234-01.dgn  
smg970re  
3:19:47 PM  
6/24/2013

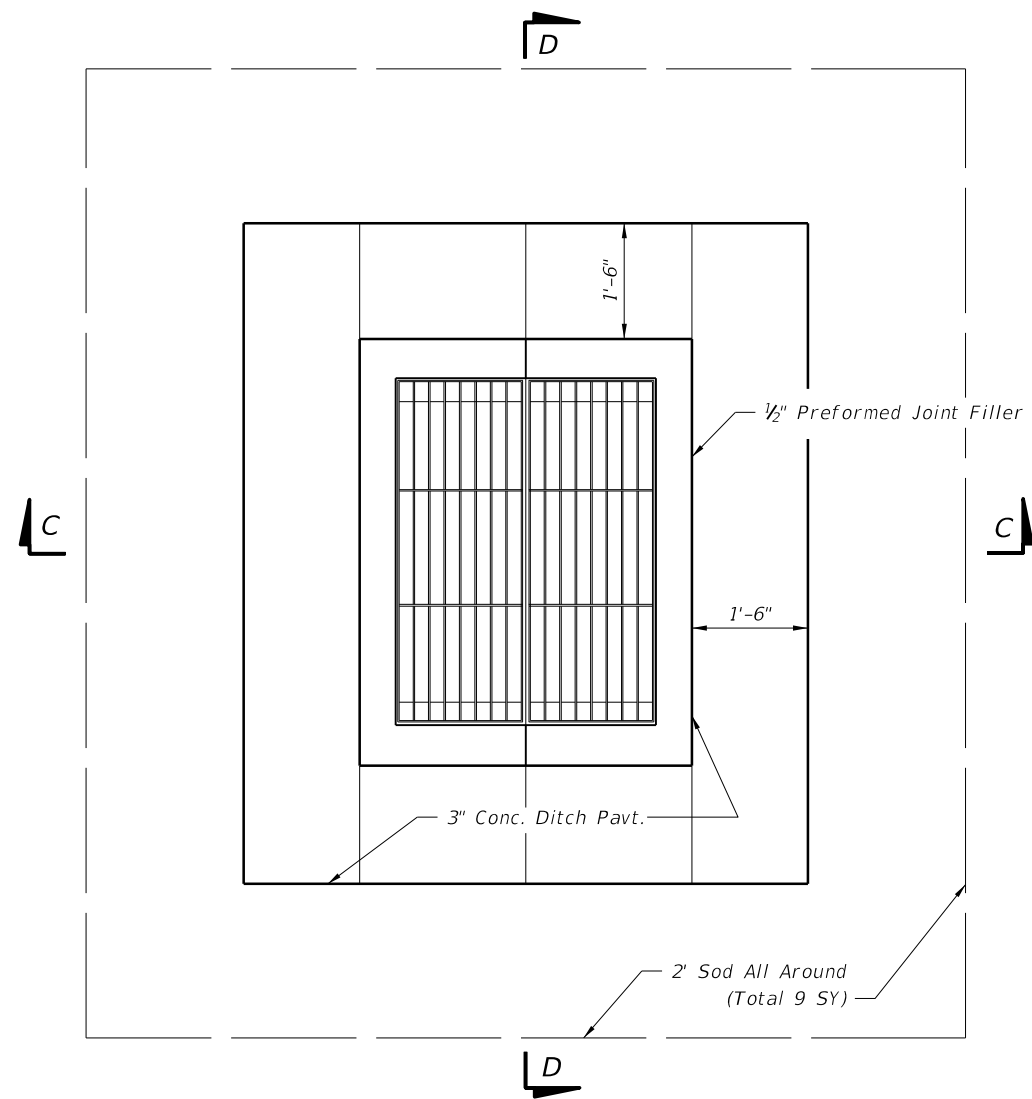
C:\projects\standards\roadway\02200-s\02234-02.dgn  
 sm970re  
 3:19:48 PM  
 6/24/2013



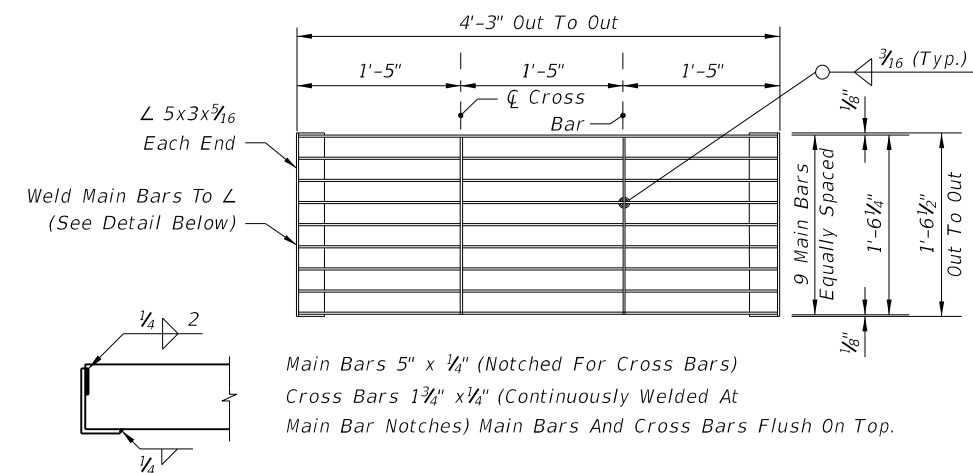
SECTION CC



SECTION DD



PAVEMENT & SODDING



DETAIL

STEEL GRATING

Note: Two Required Per Inlet

LAST REVISION  
07/01/09

DESCRIPTION:

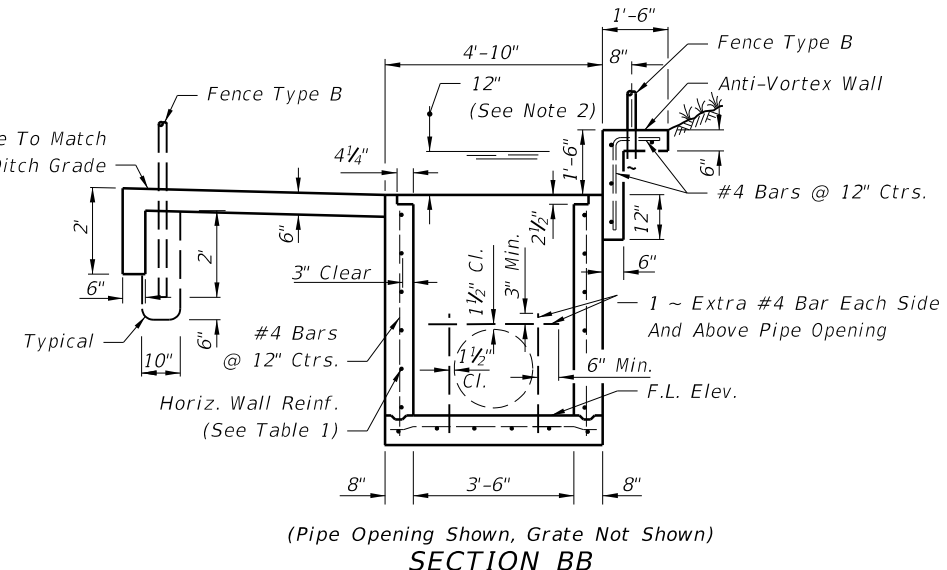
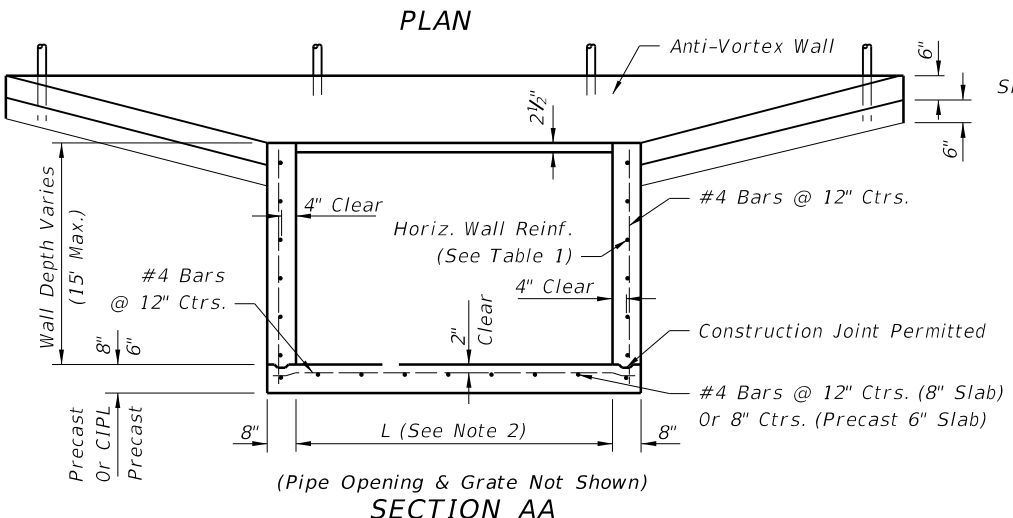
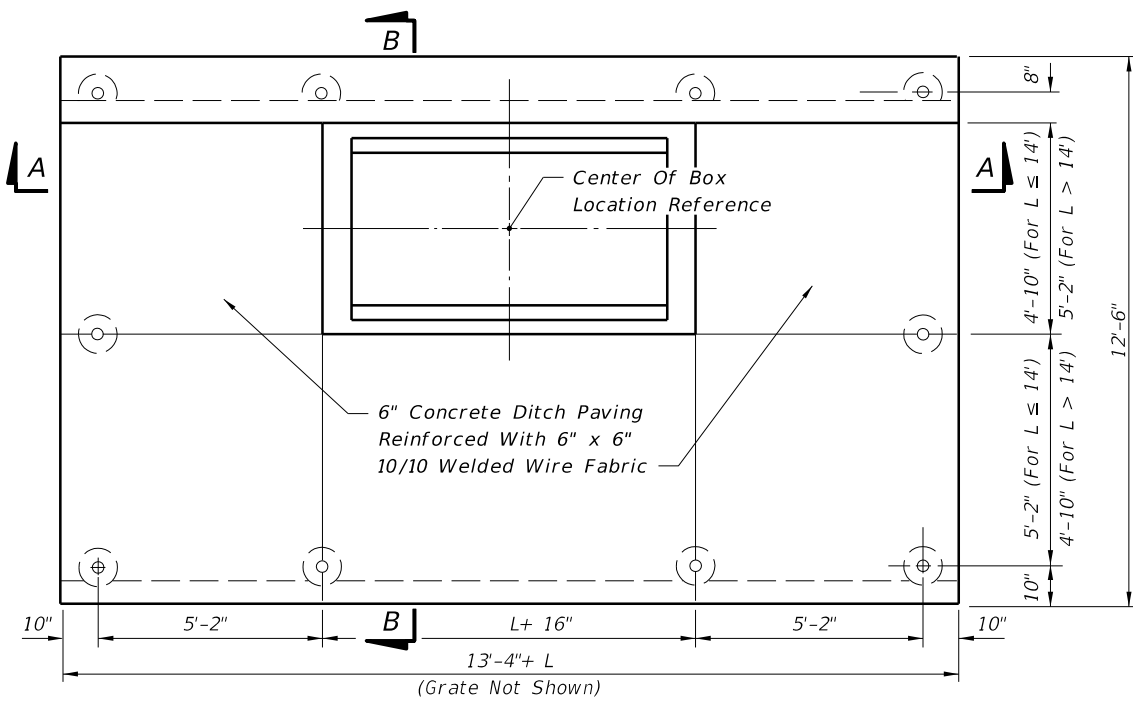


FDOT 2014  
DESIGN STANDARDS

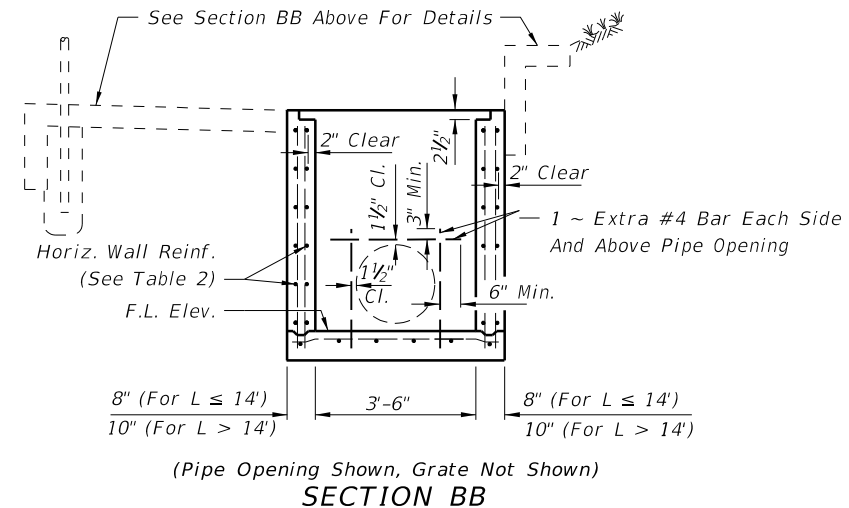
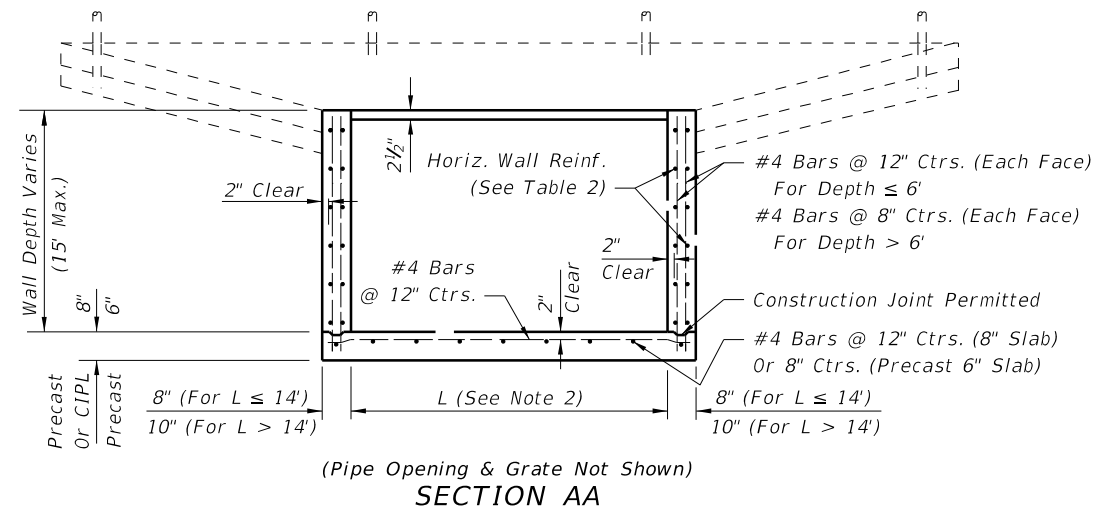
DITCH BOTTOM INLET TYPE J

INDEX NO.  
234

SHEET NO.  
2 of 2



**INLET LENGTHS (L) LESS THAN OR EQUAL TO 9' (SINGLE LAYER WALL REINFORCING)**




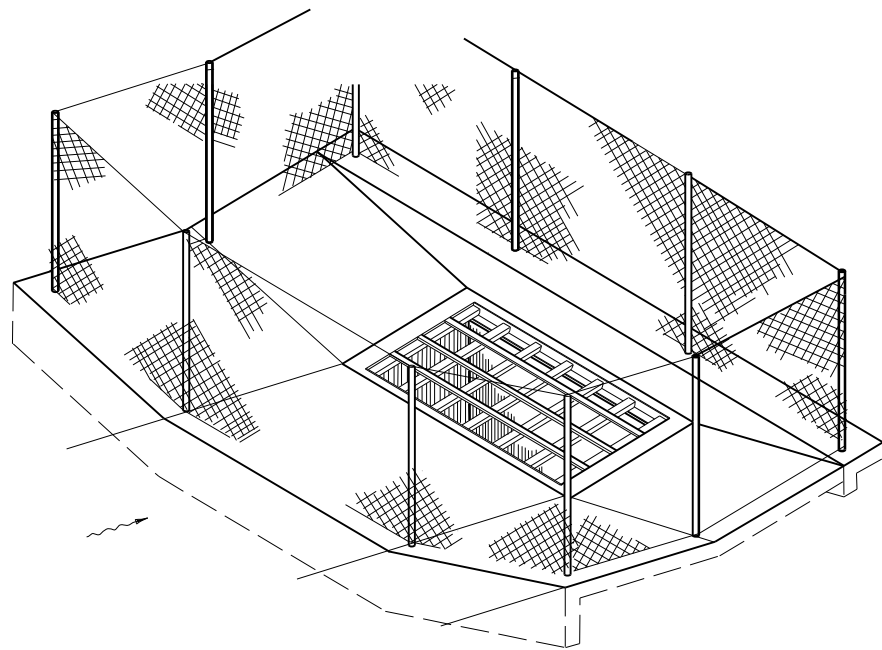
**INLET LENGTHS (L) GREATER THAN OR EQUAL TO 9' (DOUBLE LAYER WALL REINFORCING)**

**GENERAL NOTES**

1. This inlet is to be used at locations having high flow rates, usually where an endwall could not be utilized without hazardous intake.
2. Inlet length (L) shall be set by the designer for the greater of either culvert requirement or inlet pool not to exceed 12" depth. Structures over 6 feet in depth are to be checked for flotation by the designer of project drainage.
3. This inlet is not intended for use with Index 200 structure bottoms.
4. All exposed edges and corners shall be 3/4" chamfer or tooled to 1/4" radius.
5. Inlet and anti-vortex wall to be Class II Concrete.
6. All reinforcing is Grade 60 with 2" min. cover unless otherwise noted. See Index No. 201 for equivalent area of welded wire fabric (WWF). Bars to be cut or bent for 1 1/2" clearance around pipe opening. Bend top and corner bars to clear anchor holes.
7. Channel section C 3x6 at 14" max. bar spacing may be used as an alternate for the C 4x5.4 channel at 15" bar spacing.
8. Channels and bars for grate shall be ASTM A242/A242M, A572/A572M or A588/A588M, Grade 50 steel, and galvanized in accordance with Specification Section 975.
9. Fence enclosure shall be Fence Type B (Index No. 802). All posts to be set in concrete. A minimum of 10 posts required. Corner and approach side posts to be 3" nominal diameter.
10. Cost of ditch paving, anti-vortex wall, grate, concrete, reinforcing steel and fence enclosure to be included in the cost of inlet. Inlet to be paid for under the contract unit price for Inlets (DT Bot) (Type K), Each.
11. Anchor Bolts shall be ASTM F1554 Grade 36 fully threaded headless bolts, installed in accordance with Specification Sections 416 and 937. Nuts shall be ASTM A563 or A194 and washers shall be ASTM F436 or Type A plain washers. All nuts, bolts and washers shall be galvanized.

C:\projects\standards\roadway\02200-s\02235-01.dgn  
 sm970re  
 3:19:50 PM  
 6/24/2013

LAST REVISION	07/01/09	DESCRIPTION:	 <b>FDOT 2014 DESIGN STANDARDS</b>	<b>DITCH BOTTOM INLET TYPE K</b>	INDEX NO. <b>235</b>	SHEET NO. <b>1 of 2</b>
---------------	----------	--------------	---	----------------------------------	-------------------------	----------------------------



ISOMETRIC OF INLET FENCE ENCLOSURE

HORIZONTAL WALL REINFORCING SCHEDULES

WALL DEPTH	SCH.	AREA (in <sup>2</sup> /ft)	MAX. SPACING	
			BARS	WWF
SIZE: L = 5'-0"				
0'-5'	A12	0.20	12"	8"
5'-8'	A6	0.20	6"	5"
8'-15'	B5.5	0.24	5 1/2"	5"
SIZE: L = 6'-0"				
0'-4'	A12	0.20	12"	8"
4'-6'	B5.5	0.24	5 1/2"	5"
6'-9'	C6.5	0.37	6 1/2"	6"
9'-15'	C3.5	0.37	3 1/2"	3"
SIZE: L = 7'-0"				
0'-4'	B5.5	0.24	5 1/2"	5"
4'-7'	C6.5	0.37	6 1/2"	6"
7'-15'	D4.5	0.53	4 1/2"	4"
SIZE: L = 8'-0"				
0'-3'	B5.5	0.24	5 1/2"	5"
3'-5'	C6.5	0.37	6 1/2"	6"
5'-9'	D4.5	0.53	4 1/2"	4"
9'-15'	E5	0.73	5"	4"
SIZE: L = 9'-0"				
0'-4'	C6.5	0.37	6 1/2"	6"
4'-7'	D4.5	0.53	4 1/2"	4"
7'-15'	E3	0.73	3"	3"
SIZE: L = 10'-0"				
0'-3'	A12	0.20	12"	8"
3'-5'	A6	0.20	6"	5"
5'-8'	C6.5	0.37	6 1/2"	6"
8'-15'	C3.5	0.37	3 1/2"	3"
SIZE: L = 12'-0"				
0'-4'	B5.5	0.24	5 1/2"	5"
4'-6'	C6.5	0.37	6 1/2"	6"
6'-15'	D4.5	0.53	4 1/2"	4"
SIZE: L = 14'-0"				
0'-4'	C6.5	0.37	6 1/2"	6"
4'-7'	D4.5	0.53	4 1/2"	4"
7'-15'	E5	0.73	5"	4"
SIZE: L = 16'-0" x 10" WALL THICK				
0'-4'	C6.5	0.37	6 1/2"	6"
4'-8'	D4.5	0.53	4 1/2"	4"
8'-15'	E5	0.73	5"	4"
SIZE: L = 18'-0" x 10" WALL THICK				
0'-3'	C6.5	0.37	6 1/2"	6"
3'-5'	D4.5	0.53	4 1/2"	4"
5'-8'	E5	0.73	5"	4"
8'-15'	F5	1.06	5"	4"

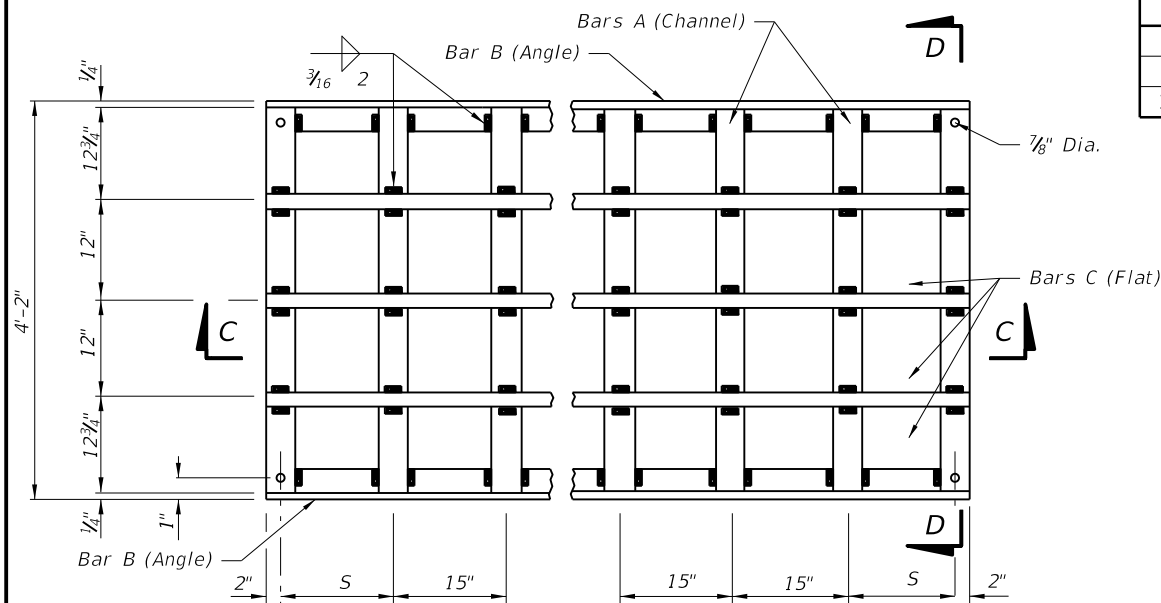
SINGLE LAYER REINFORCING (TABLE 1)

DOUBLE LAYER REINFORCING (TABLE 2)

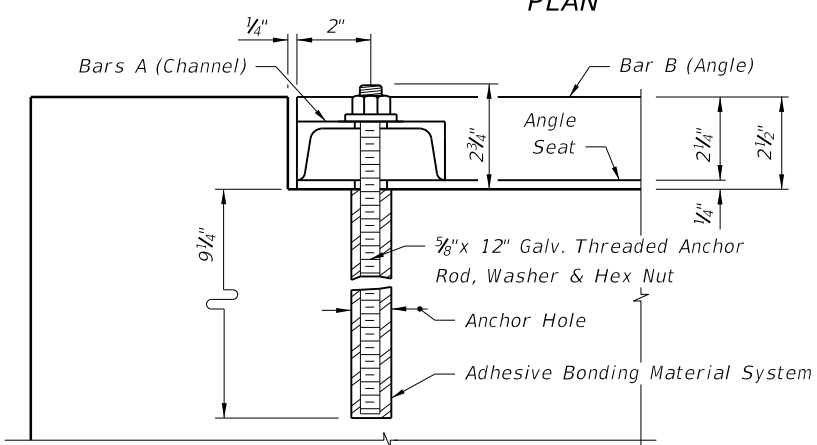
GRATE QUANTITIES

PIPE SIZE	L	S	BILL OF STEEL			STEEL WEIGHT		
			BAR	No. REQD.	LENGTH	CHANNEL 4" x 5.4 lb	ANGLE 3" x 2 1/2" x 1/4" (4.5 lb/ft)	FLAT 2" x 1/2" (3.4 lb/ft)
30" & 36"	5'-0"	12 3/4"	A	5	4'-1 1/2"	111	45	51
			B	2	4'-11 1/2"			
			C	3	4'-11 1/2"			
42" & 48"	6'-0"	11 1/4"	A	6	4'-1 1/2"	134	54	61
			B	2	5'-11 1/2"			
			C	3	5'-11 1/2"			
54" & 60"	7'-0"	9 3/4"	A	7	4'-1 1/2"	156	63	71
			B	2	6'-11 1/2"			
			C	3	6'-11 1/2"			
66" & 72"	8'-0"	8 1/4"	A	8	4'-1 1/2"	178	72	81
			B	2	7'-11 1/2"			
			C	3	7'-11 1/2"			
84"	9'-0"	14 1/4"	A	8	4'-1 1/2"	178	81	91
			B	2	8'-11 1/2"			
			C	3	8'-11 1/2"			
SPECIAL	10'-0"	12 3/4"	A	9	4'-1 1/2"	201	90	102
			B	2	9'-11 1/2"			
			C	3	9'-11 1/2"			
SPECIAL	12'-0"	9 3/4"	A	11	4'-1 1/2"	245	108	122
			B	2	11'-11 1/2"			
			C	3	11'-11 1/2"			
SPECIAL	14'-0"	14 1/4"	A	12	4'-1 1/2"	267	126	142
			B	2	13'-11 1/2"			
			C	3	13'-11 1/2"			
SPECIAL	16'-0"	11 1/4"	A	14	4'-1 1/2"	312	144	163
			B	2	15'-11 1/2"			
			C	3	15'-11 1/2"			
SPECIAL	18'-0"	8 1/4"	A	16	4'-1 1/2"	356	162	183
			B	2	17'-11 1/2"			
			C	3	17'-11 1/2"			

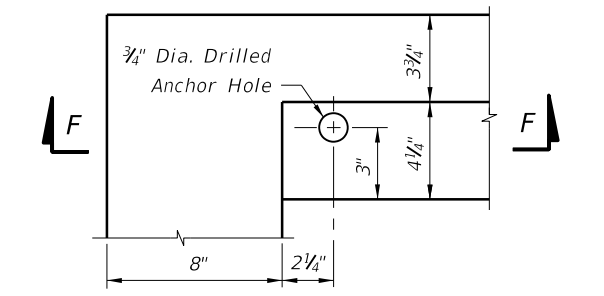
Table Notes:  
See Sheet No. 1 of 2 for dimension "L" location.  
See steel grate Plan View for dimension "S" location.



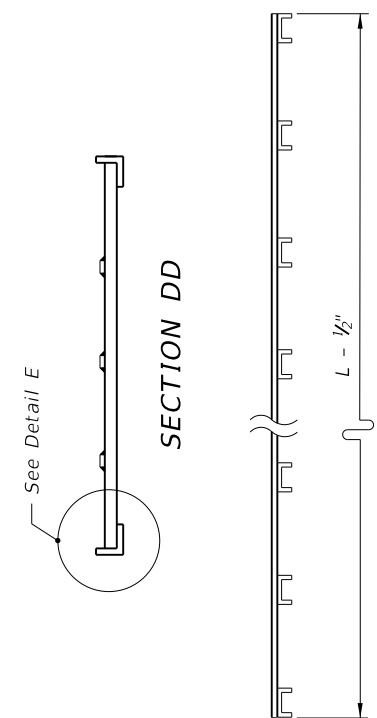
PLAN



SECTION FF

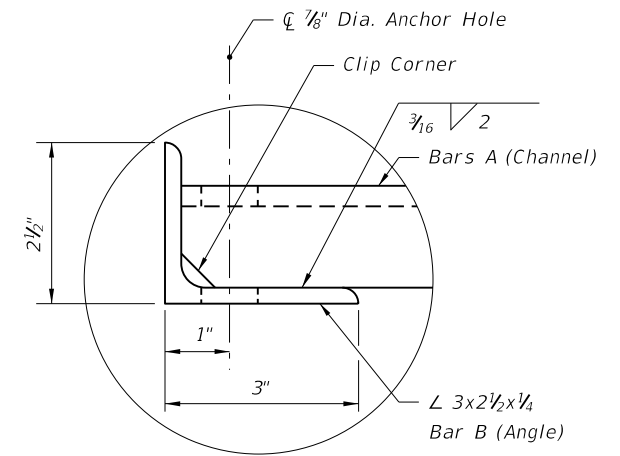


GRATE SEAT AND ANCHOR HOLE PLAN



SECTION DD

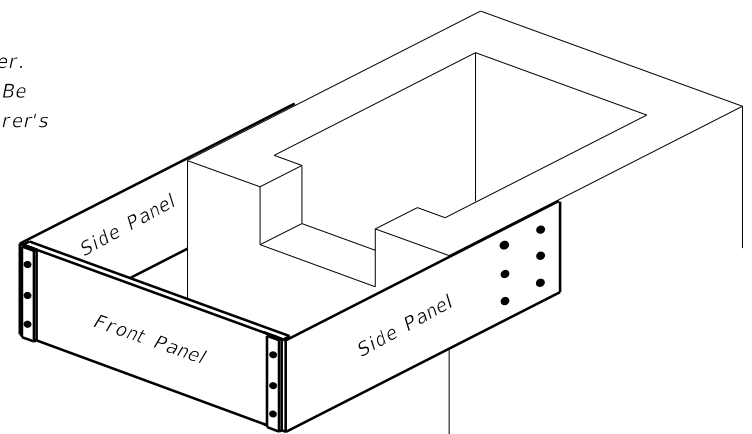
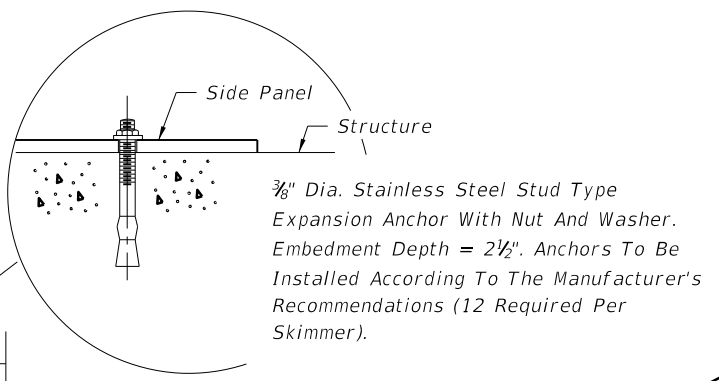
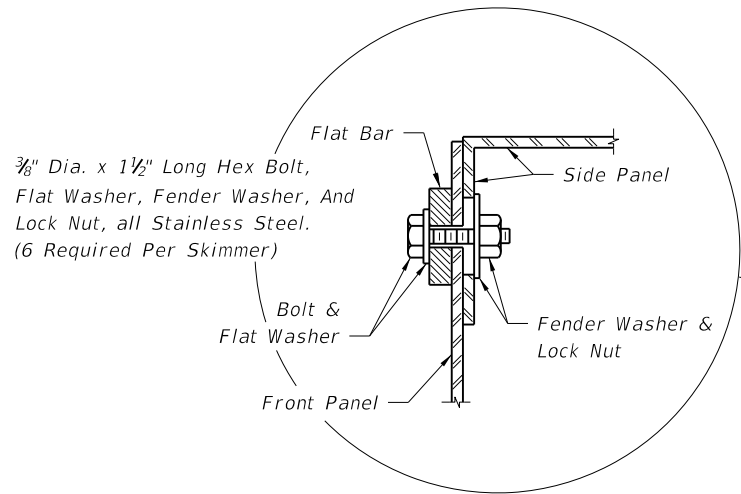
SECTION CC



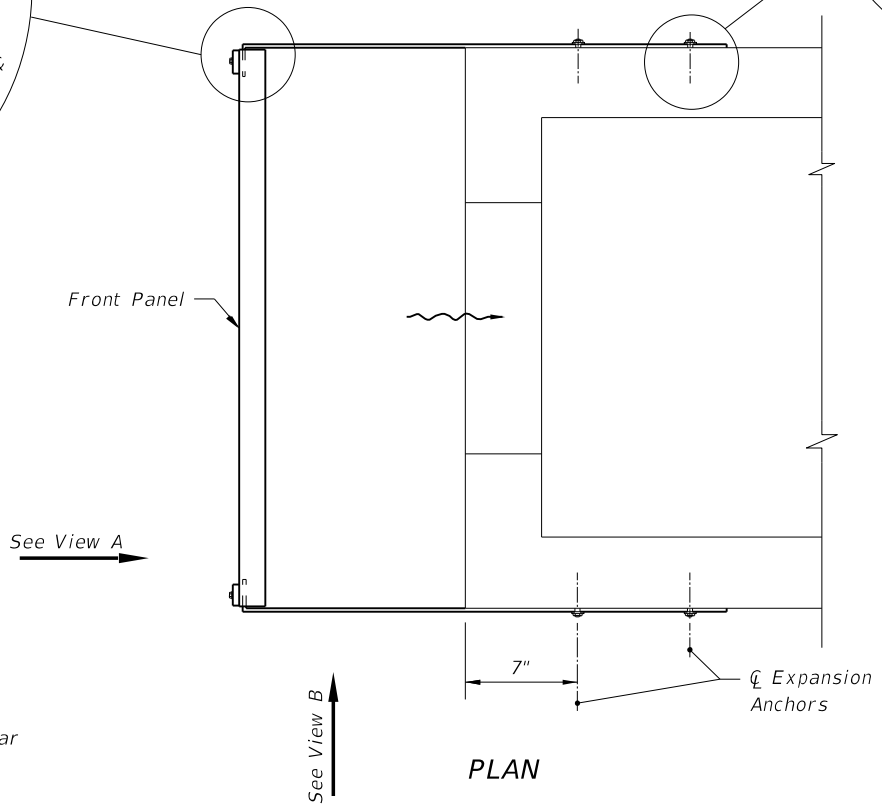
DETAIL E

6/24/2013 3:19:52 PM sm970re C:\p\project\standards\roadway\02200-s\02235-02.dgn

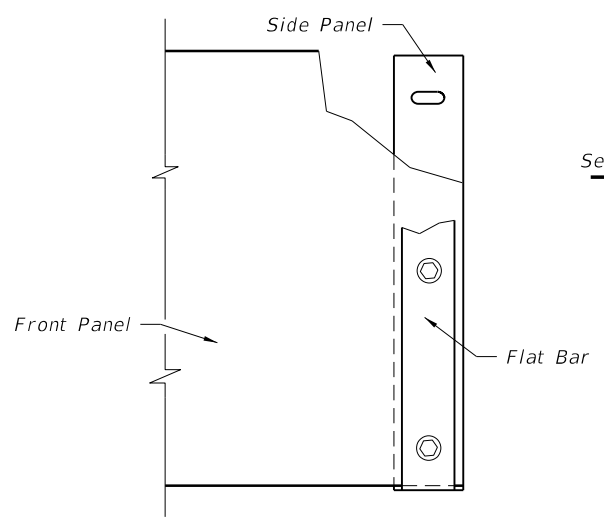
6/24/2013 3:19:54 PM sm970re C:\projects\standards\roadway\00200-s\00240-01.dgn



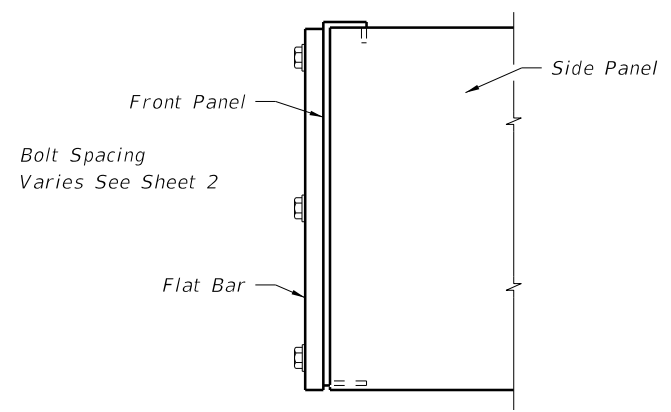
PICTORIAL VIEW



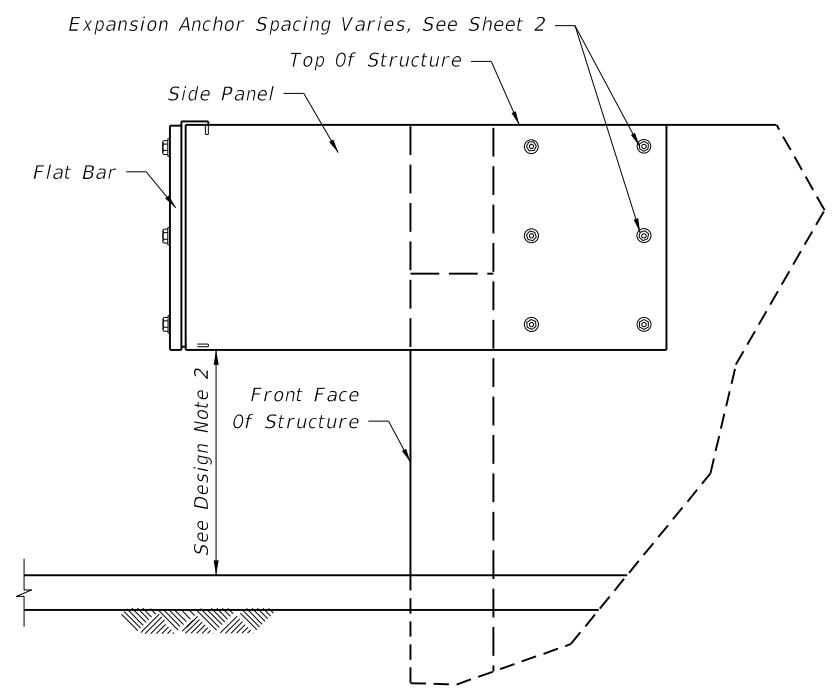
PLAN



VIEW A



VIEW B




SIDE VIEW

**GENERAL NOTES**

1. This skimmer is intended for use on Type C, D, or E Ditch Bottom Inlets that are used as outlet control structures of stormwater management facilities.
2. The side panels are dimensionally symmetric, therefore they may be used on either side of the structure.
3. Two (2) skimmers may be constructed on one structure provided they are on opposite ends.
4. The width of the front panel (dimension W) shall be the same as the outside dimension across the front of the structure.
5. The front panel, side panels, and flat bars are to be hot dip galvanized after fabrication.
6. The location of the reinforcing steel in these structures must conform to the applicable standards to avoid conflict with the expansion anchors used to attach the skimmer.
7. Grates to be used on the inlets unless otherwise specified in the plans.
8. A skimmer consists of two (2) side panels, one front panel, two (2) flat bars, and accessory hardware. The cost of skimmers is to be included in the cost of the inlet.

**DESIGN NOTES**

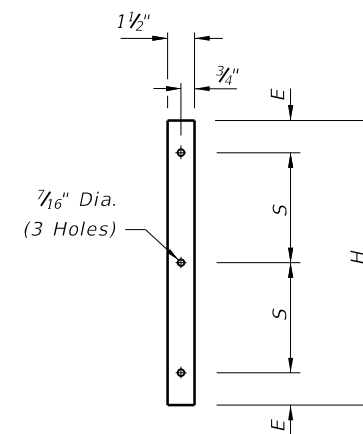
1. The designer must specify, in the plans, the skimmer height (dimension H) and the sides where the weir slots and skimmers are located. The skimmer height must be one of the dimensions shown in the table on Sheet 2. The skimmer should not be used on structure sides with outside dimensions greater than 6'-4".
2. To minimize hydraulic losses across the skimmer, the flow area under the skimmer should be three times larger than the flow area of the weir slot. The distance between the pond bottom at the structure and the skimmer shall be not less than 1 foot.
3. The configuration of skimmers may be subject to regulatory requirements. The designer should coordinate the outlet control structure details with the permitting agencies.
4. Where this skimmer is used, the designer should reference this index with the outlet control structure details. Where a different skimmer design is needed, the designer should provide skimmer details in the plans.
5. The designer shall evaluate if a grate is needed for safety reasons. Where a grate is not needed for safety reasons and is not desirable for hydraulic or other reasons, the designer may omit the grate by stating so in the outlet control structure details.
6. The designer must show the configuration of the weir slots in the outlet control structure detail.

LAST REVISION 07/01/13	REVISION	DESCRIPTION:	 <p>FDOT 2014 DESIGN STANDARDS</p>	<p>SKIMMER FOR OUTLET CONTROL STRUCTURES</p>	INDEX NO. 240	SHEET NO. 1 of 2
---------------------------	----------	--------------	---	--	------------------	---------------------

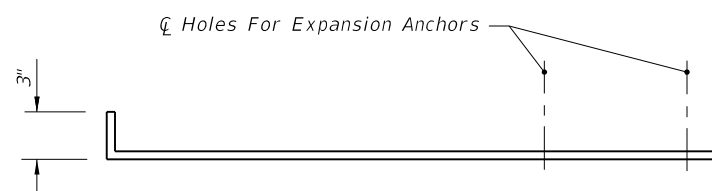


6/24/2013 3:19:56 PM sm970re C:\projects\standards\roadway\02200-s\02240-02.dgn

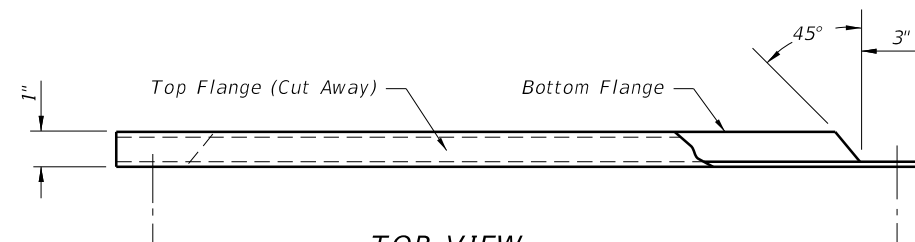
DIMENSIONS				
Skimmer Height as Specified in the Plans				Bolt Spacing
H	D	E	L	S
Inches				
12	3 <sup>3</sup> / <sub>16</sub>	3	28	3
14	3 <sup>3</sup> / <sub>16</sub>	3	28	4
16	3 <sup>3</sup> / <sub>16</sub>	3	28	5
18	3 <sup>3</sup> / <sub>16</sub>	3	28	6
20	4 <sup>3</sup> / <sub>16</sub>	4	31	6
22	4 <sup>3</sup> / <sub>16</sub>	4	31	7
24	4 <sup>3</sup> / <sub>16</sub>	4	31	8
26	4 <sup>3</sup> / <sub>16</sub>	4	31	9
28	4 <sup>3</sup> / <sub>16</sub>	4	31	10
30	5 <sup>3</sup> / <sub>16</sub>	5	31	10
32	5 <sup>3</sup> / <sub>16</sub>	5	31	11
34	5 <sup>3</sup> / <sub>16</sub>	5	31	12
36	6 <sup>3</sup> / <sub>16</sub>	6	31	12
38	6 <sup>3</sup> / <sub>16</sub>	6	31	13
40	6 <sup>3</sup> / <sub>16</sub>	6	31	14



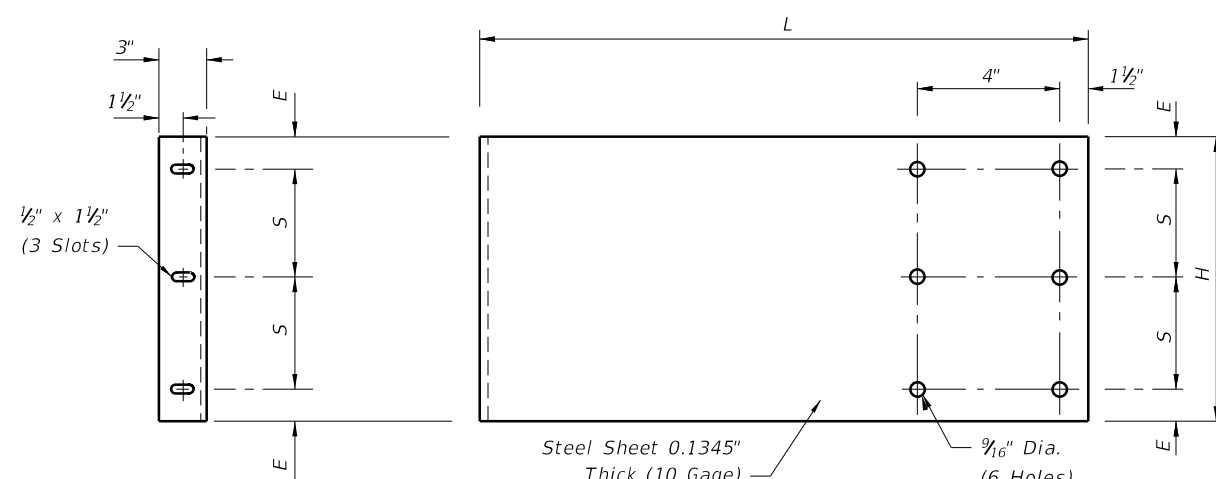
1/4" Thick x 1/2" Wide  
**FLAT BAR**



**TOP VIEW**



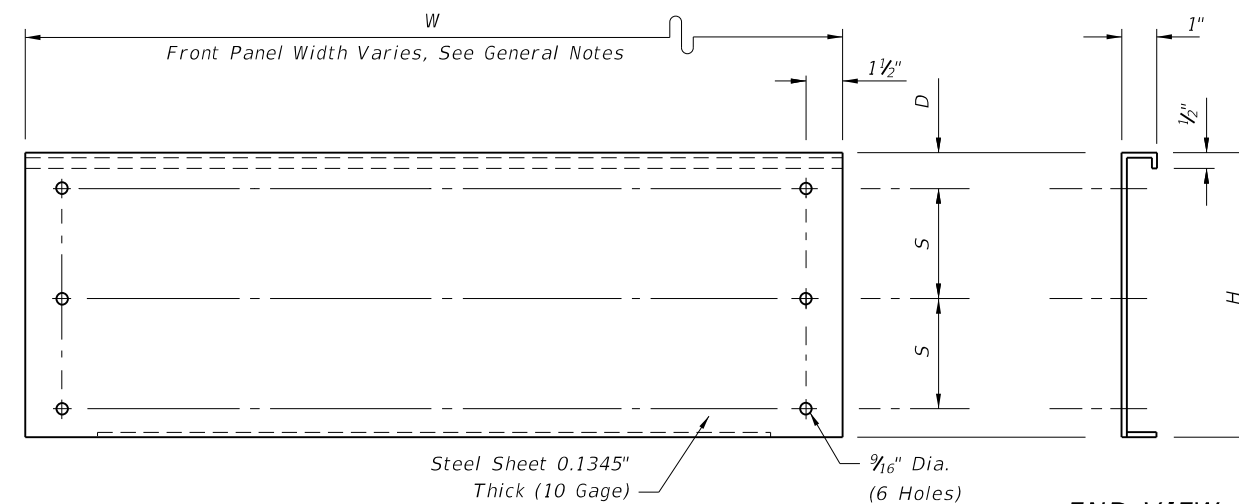
**TOP VIEW**



**END VIEW (FRONT)**

**SIDE VIEW**

**SIDE PANEL**



**FRONT VIEW**

**END VIEW**

**FRONT PANEL**

LAST REVISION  
01/01/12

DESCRIPTION:

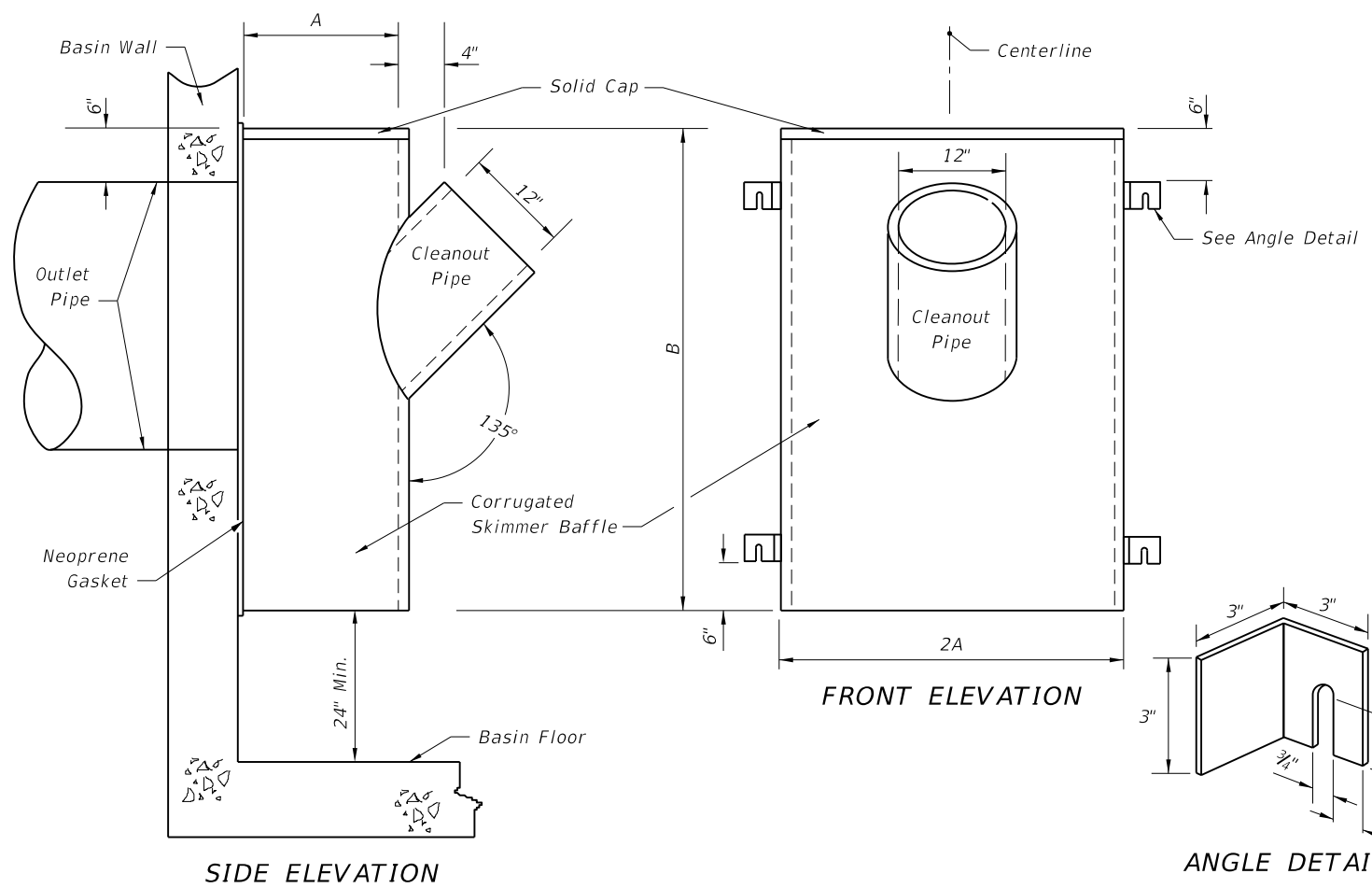


FDOT 2014  
DESIGN STANDARDS

SKIMMER FOR OUTLET CONTROL STRUCTURES

INDEX NO.  
240

SHEET NO.  
2 of 2



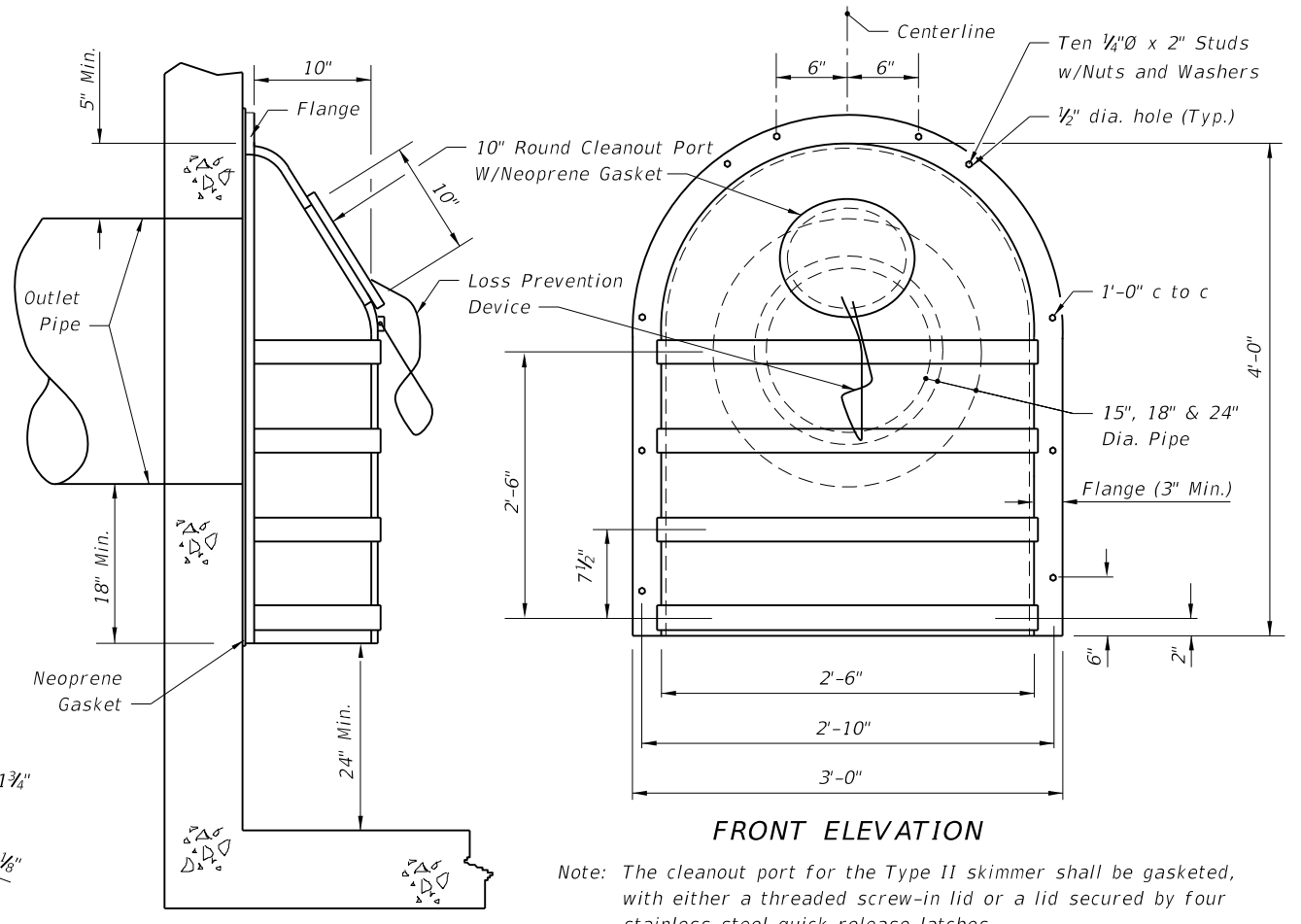
SIDE ELEVATION

FRONT ELEVATION

ANGLE DETAIL

**TYPE I SKIMMER**

Angles on other side of skimmer are mirror image.



SIDE ELEVATION

FRONT ELEVATION

**TYPE II SKIMMER**

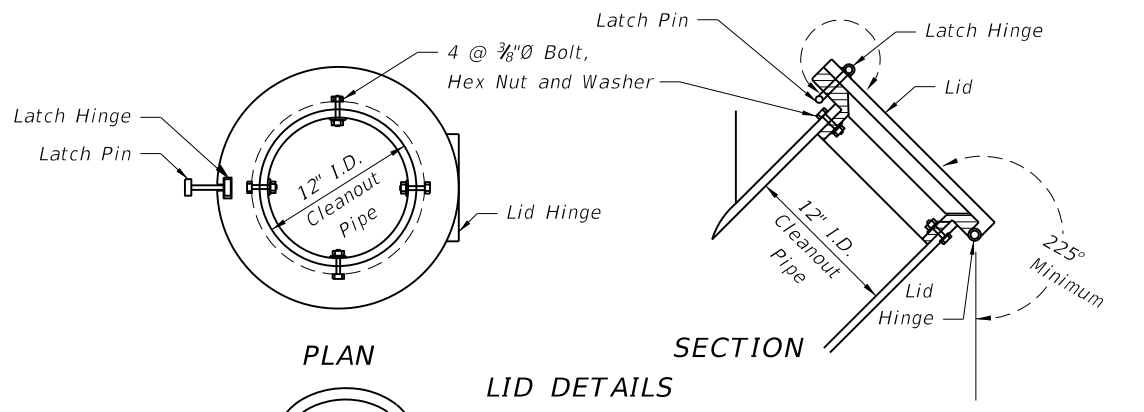
Note: The cleanout port for the Type II skimmer shall be gasketed, with either a threaded screw-in lid or a lid secured by four stainless steel quick-release latches.

**GENERAL NOTES**

1. The Frenchdrain Skimmer is a hooded cover, mounted over an outlet in a catchbasin, that prevents oil and floating debris from exiting the basin. Use this skimmer in Frenchdrain Catchbasins and in other locations where there is a need to prevent oil, debris or other floating contaminants from exiting Catchbasins through outlet pipes.
2. Place neoprene gasket material between the skimmer and the catchbasin at all points of contact. Trim the gasket neatly to extend 1/2 inch beyond the joint on all sides.
3. Skimmer baffle, cleanout pipe and angles shall be primarily constructed of either galvanized steel, aluminum, polyvinyl chloride, polyethylene, fiberglass or acrylonitrile butadiene styrene. All steel components, other than stainless, shall be hot-dip galvanized.
4. Mounting hardware, hinges and latches shall all be stainless steel. Loss prevention device shall be either stainless steel chain or riveted nylon strap.
5. Material used in construction of skimmer bodies (baffles) and cleanout pipe shall comply with Standard Specification 943 for steel, 945 for aluminum or 948 for plastics.
6. All costs for furnishing and installing a frenchdrain skimmer shall be included in the cost of the basin in which it is installed. Retrofit skimmers shall be paid for as 'modify existing structure'.
7. Plastic Skimmers shall contain a minimum of 1.5% by weight of carbon black for UV protection.

**DESIGN NOTES**

1. The contractor may submit an alternative design prefabricated Frenchdrain Skimmer for approval by the Engineer.
2. Show, in the plans, the location of the basin and indicate the interior side(s) of the basin on which a skimmer will be installed.
3. Type I Skimmer dimensions shall be based on the outlet pipe diameter as shown in the dimension table.
4. Type II Skimmers are to be used only with outlet pipe diameters of 15", 18", and 24".

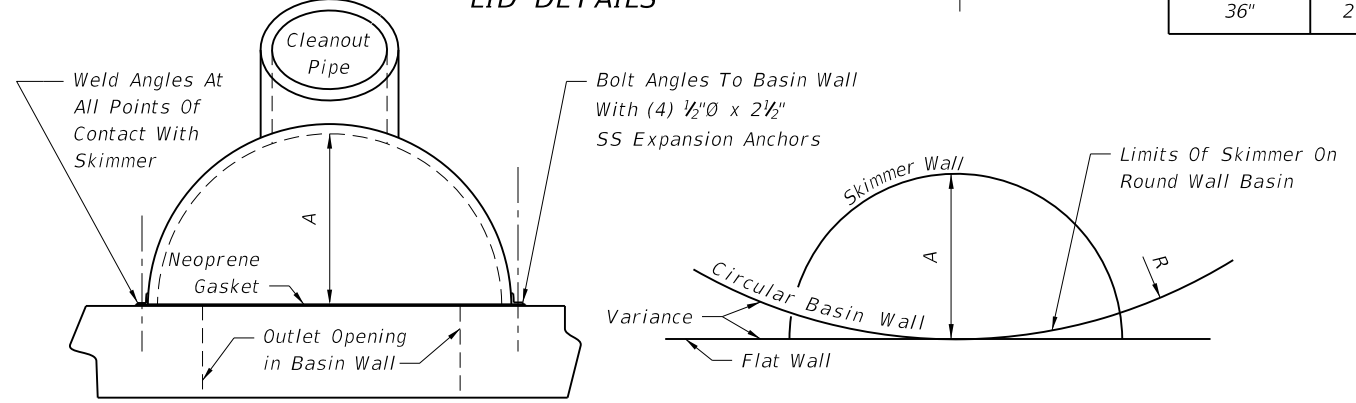


PLAN

SECTION

LID DETAILS

TYPE I SKIMMER DIMENSION TABLE		
OUTLET PIPE	A	B
18"	12"	42"
24"	15"	48"
30"	18"	54"
36"	21"	60"



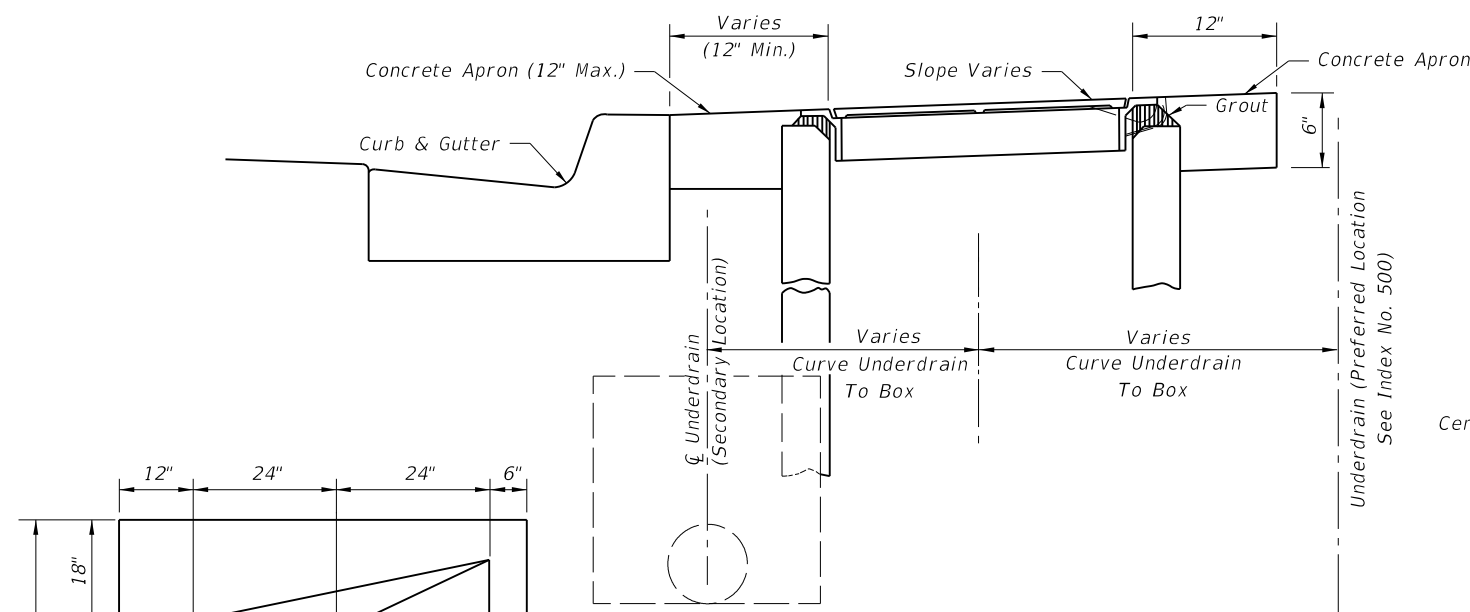
TOP VIEW

TOP VIEW SCHEMATIC

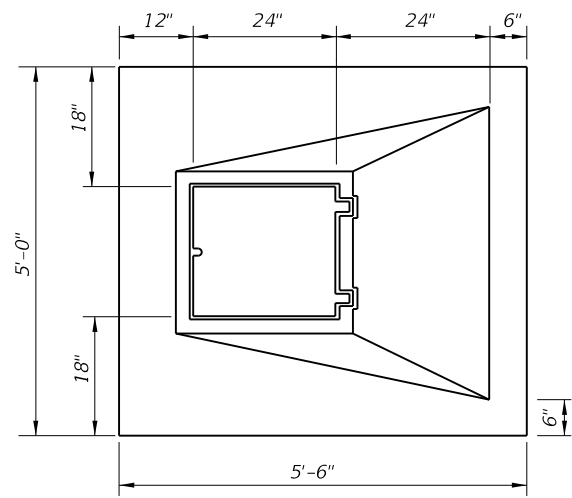
The backs of skimmers must conform to the shape of the basin walls on which they are mounted. Show, in the plans, the radii required for curved-back skimmers. Applies to both skimmer types.

C:\projects\standards\roadway\00200-s\00241-01.dgn 3:19:57 PM sm970re 6/24/2013

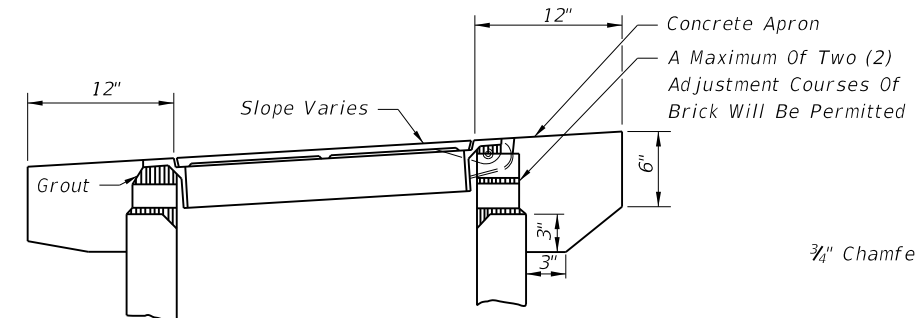
C:\projects\standards\roadway\02200-s\02245-01.dgn  
 smg70re  
 3:19:59 PM  
 6/24/2013



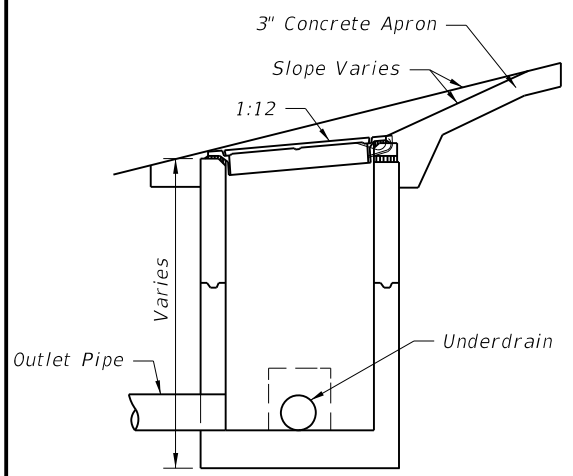
TYPICAL URBAN INSTALLATION



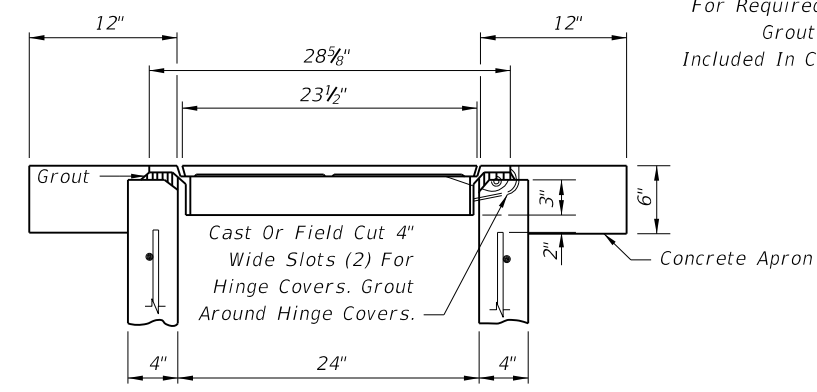
TOP VIEW



PERMISSIBLE TOP ADJUSTMENT

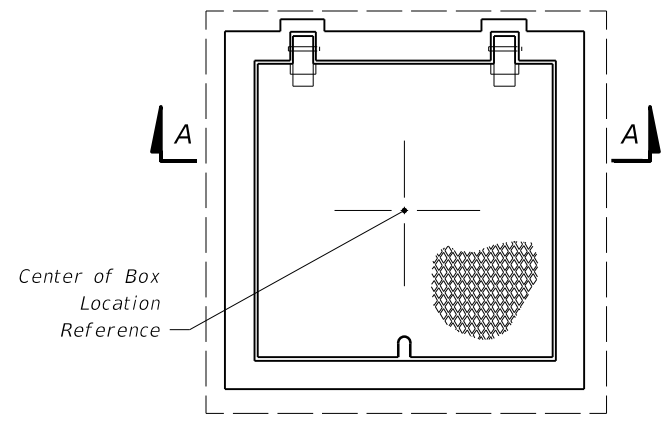


SECTION  
TYPICAL INSTALLATION ON SLOPES

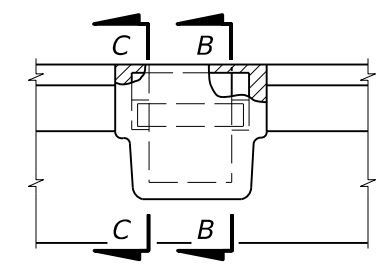


TYPICAL TOP AND APRON

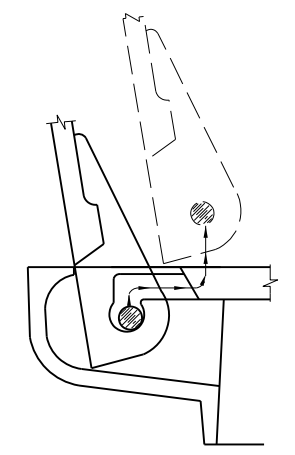
Typical Opening, One Or More Sides. See Plans For Required Openings. Grout Fill To Be Included In Cost Of Box



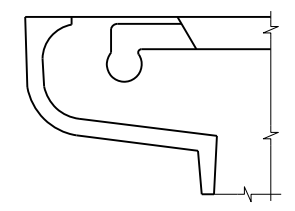
TOP VIEW



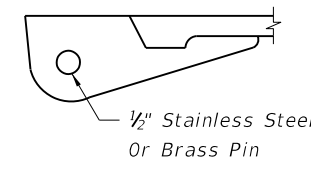
BACK VIEW



COVER REMOVAL

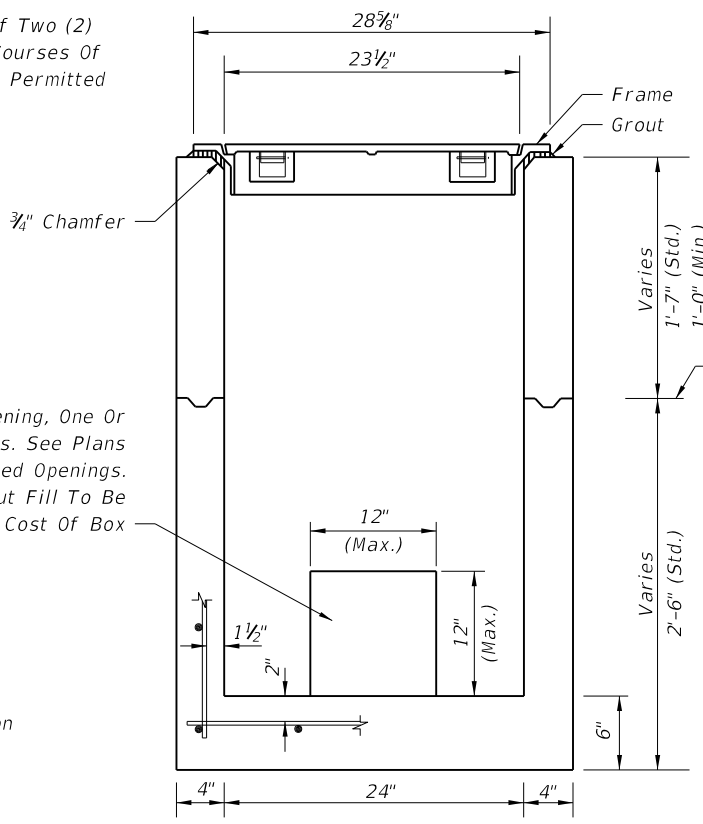


SECTION CC



SECTION BB


HINGE DETAIL

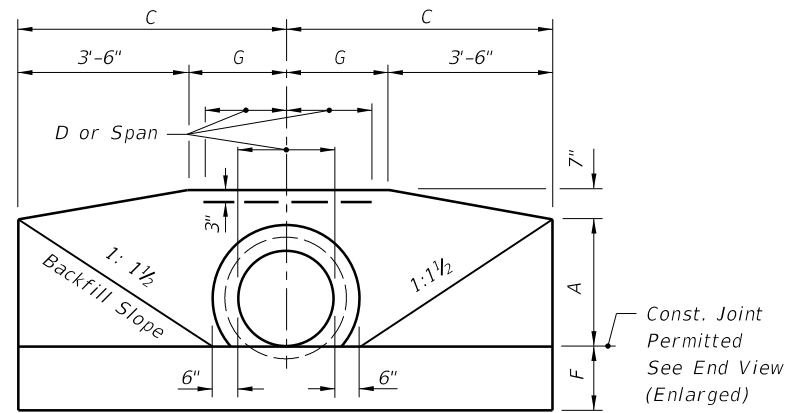


SECTION AA  
BOX AND TOP

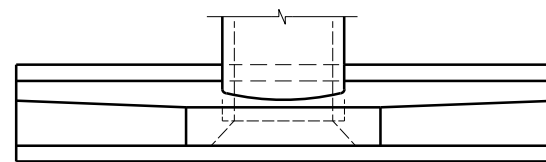
GENERAL NOTES

1. Light duty cast iron cover and frame, see Specifications Section 962.
2. Concrete shall be Class 1, except ASTM C478 (4000 psi) concrete may be substituted for precast items manufactured in plants meeting the requirements of Section 449 of the Specifications. Box shall be reinforced with No. 3 bars (Grade 60) on 8" centers both ways, sides and bottom.
3. Concrete apron to be included in the contract unit price for Underdrain Inspection Box.
4. All covers shall be furnished with pick holes. Fitted lifts or handles are not permitted.
5. Manhole Type P Alternate A, Index No. 200, with Type I Frame and Cover, Index No. 201, may be used in lieu of the box detailed on this sheet, and is recommended when high ADT increases chance of the repeated vehicle loadings.

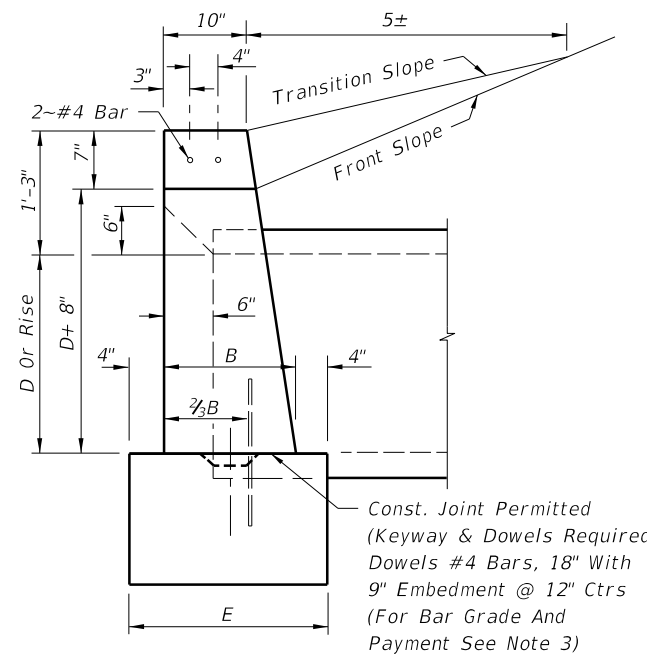
LAST REVISION 07/01/13	REVISION	DESCRIPTION:	 <b>FDOT 2014 DESIGN STANDARDS</b>	<b>UNDERDRAIN INSPECTION BOX</b>	INDEX NO. <b>245</b>	SHEET NO. <b>1 of 1</b>
---------------------------	----------	--------------	---	----------------------------------	-------------------------	----------------------------



FRONT VIEW

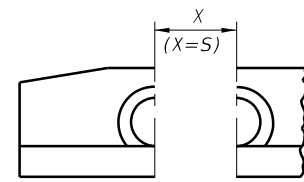


TOP VIEW

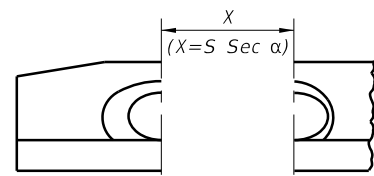


END VIEW (ENLARGED)

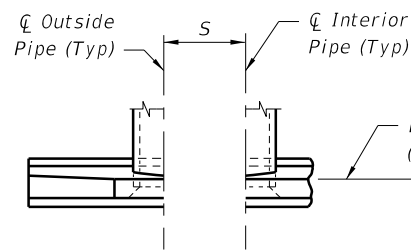
ENDWALL DIMENSIONS (EXCLUSIVE OF MULTIPLE PIPE SPACING)



FRONT VIEW

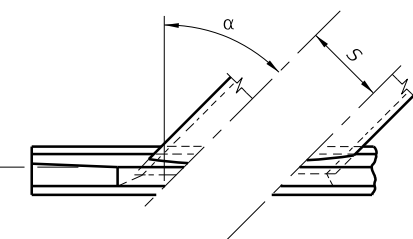


FRONT VIEW



TOP VIEW

NORMAL PIPE



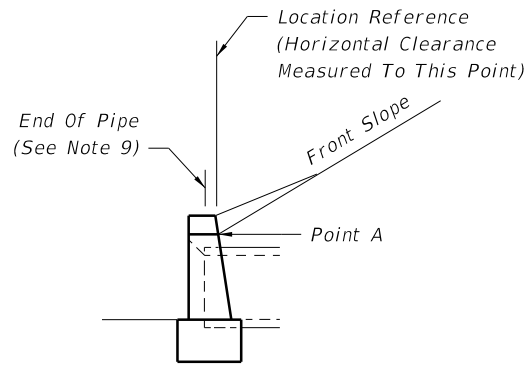
TOP VIEW

SKEWED PIPE

LEGEND

- α Pipe Skew
- S Center To Center Pipe Spacing
- X Centerline To Centerline Dimension At Face Of Headwall

PIPE AND SPACING FOR MULTIPLE PIPE  
ENDWALL POSITIONS FOR SINGLE AND MULTIPLE



END VIEW

1. Position is set by the intersection of the front slope and Point A where this intersection falls outside the clear zone.
2. Where the front slope and Point A intersects inside the clear zone, the endwall is positioned so the location reference point is at the clear zone limit. The front slope is transitioned to the endwall as shown in Index No. 280.

STANDARD  
LOCATION CONTROL

GENERAL NOTES

1. Endwall dimensions, locations and positions are for round and elliptical concrete pipe and for round and pipe-arch corrugated metal pipe. Round concrete pipe shown.
2. Front slope and ditch transitions shall be in accordance with Index No. 280.
3. Endwalls may be cast in place or precast concrete. Reinforcing steel shall be Grades 40 or 60. Additional reinforcement necessary for handling precast units shall be determined by the Contractor or the supplier. Cost of reinforcement shall be included in the contract unit price for Concrete, (Endwalls).
4. All exposed corners and edges of concrete are to be chamfered 3/4".
5. Concrete shall be Class I, except ASTM C478 (4000 psi) concrete may be substituted for precast items manufactured in plants meeting the requirements of Section 449 of the Specifications.
6. On outfall ditches with side slopes flatter than 1:1 1/2 provide 20' transitions from the endwall to the flatter side slopes, right of way permitting.
7. For sodding around endwalls see Index No. 281.
8. Payment for concrete quantities for endwalls skewed to the pipe shall be made on the following basis:
 

Endwall Skew to Pipe	Use Tabulated Value
0° to 5°	0°
6°	15°
16°	30°
31° or over	45°
9. Pipe length plan quantities shall be based on the pipe end locations shown in the standard location control end view, or lengths based on special endwall locations called for in the plans.
10. Payment for pipe in pipe culverts shall be based on plan quantities, adjusted for endwall locations subsequently established by the Engineer.
11. Endwalls to be paid for under the contract unit price for Class I Concrete (Endwalls), CY.

C:\projects\standards\roadway\02200-s\02250-01.dgn 3:20:01 PM 6/24/2013 sm970re

LAST REVISION 07/01/09	REVISION	DESCRIPTION:	 <b>FDOT 2014 DESIGN STANDARDS</b>	<b>STRAIGHT CONCRETE ENDWALLS SINGLE AND MULTIPLE PIPE</b>	INDEX NO. <b>250</b>	SHEET NO. <b>1 of 2</b>
---------------------------	----------	--------------	---	--	-------------------------	----------------------------

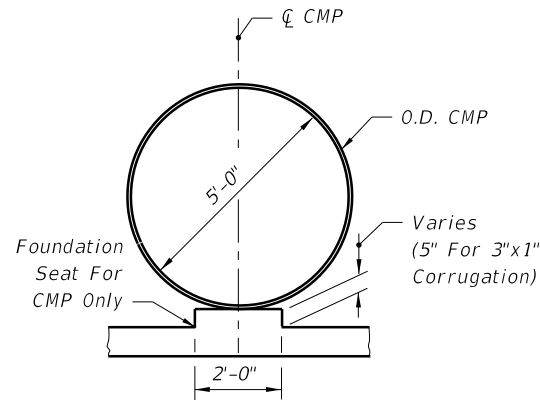
DATA AND ESTIMATED QUANTITIES FOR ONE ENDWALL

ROUND CONCRETE AND CORRUGATED METAL PIPE																																													
D	Opening Area (SF)				Dimensions										Class I Concrete (CY)																								D						
															Number And Type Of Pipe And Skew Angle Of Pipe																														
	Number Of Pipes														Single						Double						Triple						Quadruple												
									Conc				Metal				Concrete			Metal			Concrete			Metal			Concrete			Metal													
1	2	3	4	A	B	C	E	F	G	S	X				0°	0°	0°	15°	30°	45°	0°	15°	30°	45°	0°	15°	30°	45°	0°	15°	30°	45°	0°	15°	30°	45°									
15"	1.23	2.46	3.69	4.92	1'-11"	1'-2"	4'-0"	1'-10"	1'-2"	0'-6"	2'-7"	2'-7"	2'-8"	3'-0"	3'-8"	1.23	1.24	1.59	1.60	1.65	1.74	1.62	1.63	1.68	1.78	1.94	1.96	2.05	2.23	1.99	2.02	2.11	2.30	2.30	2.34	2.47	2.74	2.37	2.41	2.75	2.84	15"			
18"	1.77	3.54	5.31	7.08	2'-2"	1'-3"	4'-6"	1'-11"	1'-3"	1'-0"	2'-10"	2'-10"	2'-11"	3'-3"	4'-0"	1.56	1.59	1.99	2.01	2.06	2.17	2.04	2.06	2.11	2.23	2.43	2.46	2.56	2.79	2.51	2.54	2.65	2.89	2.86	2.91	3.06	3.40	2.96	3.01	3.17	3.53	18"			
21"	2.41	4.82	7.23	9.64	2'-5"	1'-4"	5'-0"	2'-0"	1'-4"	1'-6"	3'-2"	3'-2"	3'-3"	3'-8"	4'-6"	1.97																													21"
24"	3.14	6.28	9.42	12.56	2'-8"	1'-4"	5'-6"	2'-0"	1'-4"	2'-0"	3'-5"	3'-5"	3'-6"	3'-11"	4'-10"	2.24	2.29	2.82	2.84	2.91	3.06	2.91	2.93	3.01	3.17	3.39	3.43	3.57	3.87	3.52	3.56	3.71	4.03	3.97	4.03	4.24	4.69	4.14	4.20	4.43	4.91	24"			
27"	3.98	7.96	11.94	15.92	2'-11"	1'-5"	6'-0"	2'-1"	1'-5"	2'-6"	3'-10"	3'-10"	4'-0"	4'-5"	5'-5"	2.73																												27"	
30"	4.91	9.82	14.73	19.64	3'-2"	1'-6"	6'-6"	2'-2"	1'-6"	3'-0"	4'-3"	4'-3"	4'-5"	4'-11"	6'-0"	3.26	3.34	4.13	4.16	4.26	4.49	4.28	4.31	4.43	4.67	4.98	5.04	5.25	5.69	5.20	5.27	5.49	5.97	5.84	5.93	6.24	6.91	6.13	6.23	6.56	7.29	30"			
36"	7.07	14.14	21.21	28.28	3'-8"	1'-8"	7'-6"	2'-4"	1'-8"	4'-0"	5'-1"	5'-1"	5'-3"	5'-10"	7'-2"	4.53	4.64	5.73	5.77	5.92	6.23	5.95	6.00	6.15	6.49	6.92	7.00	7.29	7.91	7.25	7.34	7.65	8.33	8.13	8.26	8.69	9.62	8.57	8.71	9.18	10.20	36"			
42"	9.62	19.24	28.86	38.48	4'-2"	1'-10"	8'-6"	2'-6"	2'-0"	5'-0"	6'-0"	6'-0"	6'-3"	6'-11"	8'-6"	6.33	6.49	8.11	8.17	8.39	8.85	8.43	8.50	8.73	9.23	9.90	10.02	10.45	11.38	10.38	10.52	10.98	11.99	11.68	11.87	12.51	13.89	12.32	12.52	13.22	14.73	42"			
48"	12.57	25.14	37.71	50.28	4'-8"	2'-1"	9'-6"	2'-9"	2'-0"	6'-0"	6'-9"	6'-9"	7'-0"	7'-10"	9'-7"	8.15	8.38	10.40	10.48	10.75	11.33	10.85	10.94	11.23	11.87	12.64	12.80	13.34	14.50	13.34	13.51	14.11	15.39	14.89	15.13	15.93	17.68	15.82	16.08	16.97	18.90	48"			
54"	15.90	31.80	47.70	63.60	5'-2"	2'-6"	10'-6"	3'-2"	2'-3"	7'-0"	7'-8"	7'-8"	7'-11"	8'-10"	10'-10"	11.71	11.77	15.23	15.35	15.78	16.69	15.35	15.48	15.90	16.83	18.77	19.02	19.86	21.69	18.93	19.18	20.04	21.89	22.29	22.66	23.93	26.67	22.51	22.89	24.17	26.96	54"			

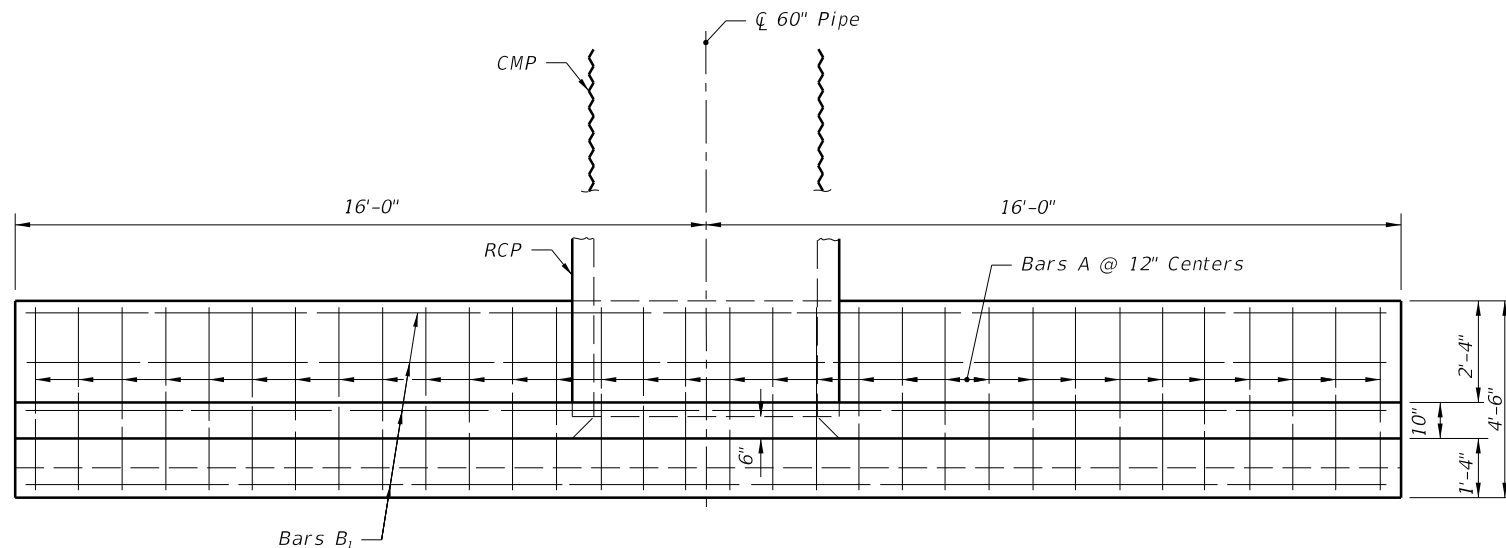
CORRUGATED METAL PIPE ARCH																																										
Span	Rise	Opening Area (SF)				Dimensions										Class I Concrete (CY)																								Span	Rise	Approx. Equiv. Round Pipe
																Number Of Pipe And Skew Angle Of Pipe																										
		Number Of Pipes														Single						Double						Triple						Quadruple								
		1	2	3	4	A	B	C	E	F	G	S	X				0°	0°	15°	30°	45°	0°	15°	30°	45°	0°	15°	30°	45°	0°	15°	30°	45°									
17"	13"	1.1	2.2	3.3	4.4	1'-9"	1'-2"	3'-10"	1'-10"	1'-2"	0'-4"	2'-6"	2'-6"	2'-7"	2'-11"	3'-6"	1.16	1.47	1.48	1.52	1.60	1.78	1.80	1.88	2.04	2.09	2.12	2.23	2.48	17"	13"	15"										
21"	15"	1.6	3.2	4.8	6.4	1'-11"	1'-2"	4'-3"	1'-10"	1'-2"	0'-9"	2'-10"	2'-10"	2'-11"	3'-3"	4'-0"	1.33	1.69	1.70	1.75	1.84	2.04	2.06	2.15	2.33	2.40	2.44	2.57	2.84	21"	15"	18"										
28"	20"	2.8	5.6	8.4	11.2	2'-4"	1'-3"	5'-2"	1'-11"	1'-3"	1'-8"	3'-5"	3'-5"	3'-6"	3'-11"	4'-10"	1.78	2.31	2.33	2.39	2.53	2.83	2.87	2.99	3.26	3.36	3.42	3.60	4.01	28"	20"	24"										
35"	24"	4.3	8.6	12.9	17.2	2'-8"	1'-4"	5'-11 1/2"	2'-0"	1'-4"	2'-5 1/2"	4'-0"	4'-0"	4'-2"	4'-7"	5'-8"	2.34	3.03	3.05	3.14	3.32	3.72	3.77	3.93	4.29	4.40	4.47	4.72	5.25	35"	24"	30"										
42"	29"	5.9	11.8	17.7	23.6	3'-1"	1'-5"	6'-10 1/2"	2'-1"	1'-5"	3'-4 1/2"	4'-9"	4'-9"	4'-11"	5'-6"	6'-9"	3.13	4.06	4.09	4.20	4.45	4.99	5.06	5.28	5.76	5.93	6.03	6.36	7.09	42"	29"	36"										
49"	33"	8.4	16.8	25.2	33.6	3'-5"	1'-6"	7'-8"	2'-2"	1'-6"	4'-2"	5'-6"	5'-6"	5'-8"	6'-4"	7'-9"	3.83	5.00	5.04	5.18	5.48	6.16	6.24	6.52	7.12	7.32	7.44	7.86	8.76	49"	33"	42"										
57"	38"	10.6	21.2	31.8	42.4	3'-10"	1'-7"	8'-7 1/2"	2'-3"	1'-7"	5'-1 1/2"	6'-4"	6'-4"	6'-7"	7'-4"	8'-11"	4.87	6.31	6.36	6.53	6.91	7.74	7.84	8.18	8.93	9.18	9.33	9.85	10.96	57"	38"	48"										
64"	43"	13.2	26.4	39.6	52.8	4'-3"	1'-8"	9'-6 1/2"	2'-4"	1'-8"	6'-0 1/2"	7'-1"	7'-1"	7'-4"	8'-2"	10'-0"	5.88	7.64	7.70	7.91	8.37	9.40	9.52	9.94	10.86	11.15	11.33	11.97	13.33	64"	43"	54"										
71"	47"	16.9	33.8	50.7	67.6	4'-7"	1'-10"	10'-4"	2'-6"	2'-0"	6'-10"	7'-10"	7'-10"	8'-1"	9'-1"	11'-1"	7.80	10.15	10.23	10.51	11.12	12.49	12.65	13.22	14.43	14.85	15.10	15.94	17.77	71"	47"	60"										

Note: Use the guidelines of General Note No. 8 for selecting tabular quantities.

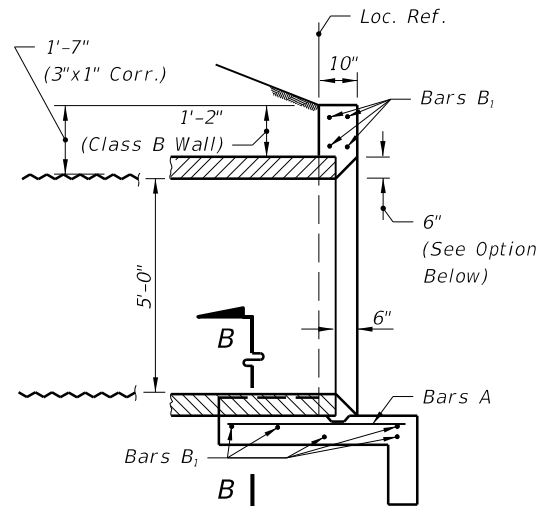
CONCRETE ELLIPTICAL PIPE																																										
Rise	Span	Opening Area (SF)				Dimensions										Class I Concrete (CY)																								Rise	Span	Approx. Equiv. Round Pipe
																Number Of Pipe And Skew Angle Of Pipe																										
		Number Of Pipes														Single						Double						Triple						Quadruple								
		1	2	3	4	A	B	C	E	F	G	S	X				0°	0°	15°	30°	45°	0°	15°	30°	45°	0°	15°	30°	45°	0°	15°	30°	45°									
12"	18"	1.3	2.6	3.9	5.2	1'-8"	1'-2"	3'-9"	1'-10"	1'-2"	0'-3"	2'-10"	2'-10"	2'-11"	3'-3"	4'-0"	1.09	1.45	1.46	1.51	1.60	1.80	1.82	1.91	2.09	2.16	2.20	2.33	2.60	12"	18"	15"										
14"	23"	1.8	3.6	5.4	7.2	1'-10"	1'-3"	4'-2 1/2"	1'-11"	1'-3"	8 1/2"	3'-5"	3'-5"	3'-6"	3'-11"	4'-10"	1.36	1.82	1.84	1.89	2.01	2.29	2.32	2.43	2.68	2.75	2.80	2.97	3.33	14"	23"	18"										
19"	30"	3.3	6.6	9.9	13.2	2'-3"	1'-4"	5'-1 1/2"	2'-0"	1'-4"	1'-7 1/2"	4'-2"	4'-2"	4'-4"	4'-10"	5'-11"	1.89	2.55	2.57	2.65	2.82	3.22	3.27	3.43	3.77	3.88	3.95	4.19	4.70	19"	30"	24"										
24"	38"	5.1	10.2	15.3	20.4	2'-8"	1'-5"	6'-3"	2'-1"	1'-5"	2'-9"	5'-2"	5'-2"	5'-4"	6'-0"	7'-4"	2.64	3.55	3.58	3.69	3.93	4.48	4.54	4.77	5.24	5.39	5.49	5.82	6.53	24"	38"	30"										
29"	45"	7.4	14.8	22.2	29.6	3'-1"	1'-6"	7'-0"	2'-2"	1'-6"	3'-6"	6'-0"	6'-0"	6'-3"	6'-11"	8'-6"	3.32	4.48	4.52	4.66	4.96	5.64	5.72	6.00	6.60	6.80	6.92	7.34	8.24	29"	45"	36"										
34"	53"	10.2	20.4	30.6	40.8	3'-6"	1'-7"	7'-11 1/2"	2'-3"	1'-7"	4'-5 1/2"	7'-1"	7'-1"	7'-4"	8'-2"	10'-0"	4.24	5.76	5.81	6.00	6.39	7.29	7.40	7.76	8.55	8.81	8.97	9.52	10.70	34"	53"	42"										
38"	60"	12.9	25.8	38.7	51.6	3'-10"	1'-8"	8'-9"	2'-4"	1'-8"	5'-3"	7'-11"	7'-11"	8'-2"	9'-2"	11'-2"	5.22	7.16	7.23	7.46	7.96	9.10	9.24	9.70	10.71	11.05	11.25	11.95	13.46	38"	60"	48"										
43"	68"	16.6	33.2	49.8	66.4	4'-3"	1'-10"	9'-8 1/2"	2'-6"	1'-10"	6'-2 1/2"	8'-10"	8'-10"	9'-2"	10'-2"	12'-6"	6.63	9.01	9.09	9.38	10.00	11.39	11.56	12.13	13.36	13.77	14.02	14.88	16.73	43"	68"	54"										
48"	76"	20.5	41.0	61.5	82.0	4'-8"	2'-1"	10'-8"	2'-9"	2'-0"	7'-2"	9'-9"	9'-9"	10'-1"	11'-3"	13'-9"	8.66	11.74	11.85	12.22	13.02	14.82	15.04	15.77	17.37	17.91	18.23	19.34	21.74	48"	76"	60"										
53"	83"	24.8	49.6	74.4	99.2	5'-1"	2'-6"	11'-7"	3'-2"	2'-6"	8'-1"	10'-7"	10'-7"	10'-11"	12'-3"	15'-0"	12.50	16.98	16.98	17.67	18.83	21.47	21.78	22.86	25.18	25.97	26.44	28.06	31.55	53"	83"	66"										
58"	91"	29.5	59.0	88.5	118.0	5'-6"	2'-10"	12'-6 1/2"	3'-6"	2'-10"	9'-0 1/2"	11'-4"	11'-4"	11'-9"	13'-1"	16'-0"	16.46	22.26	22.46	23.16	24.66	28.05	28.46	29.85	32.85	33.85	34.46	36.55	41.05	58"	91"	72"										



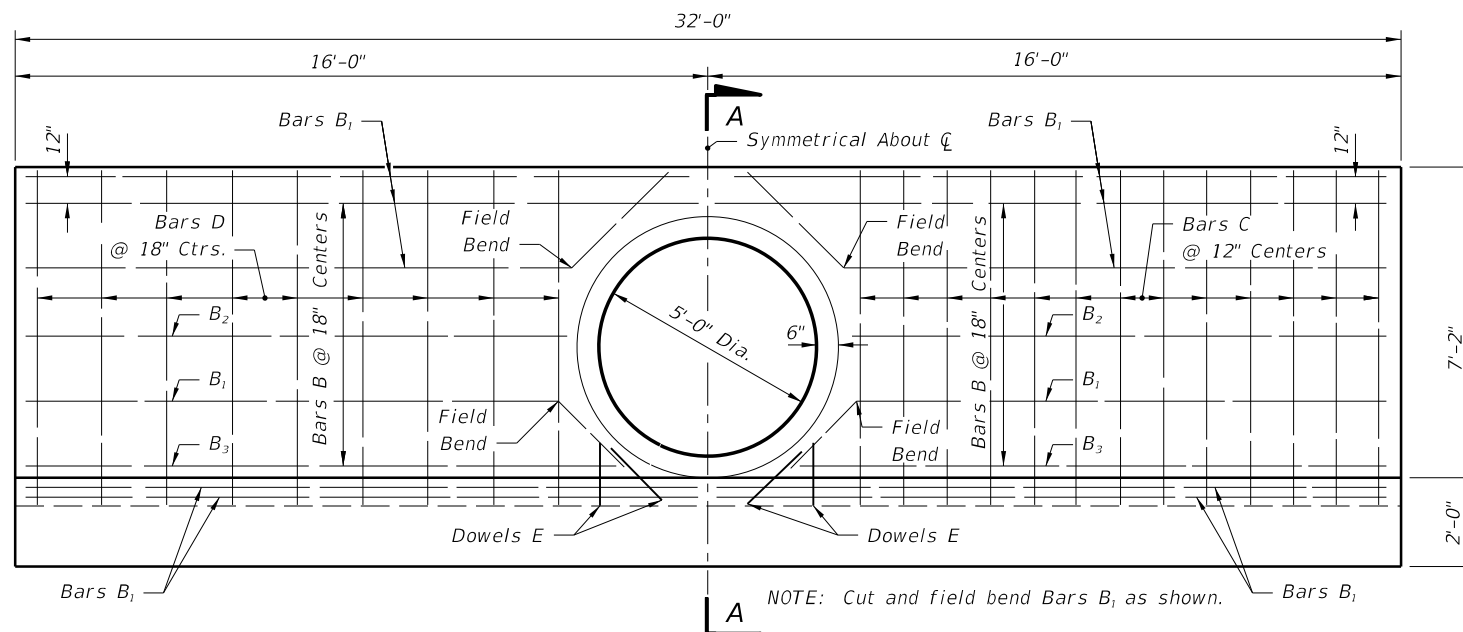
SECTION BB



PLAN  
(Showing Bar In Footing)

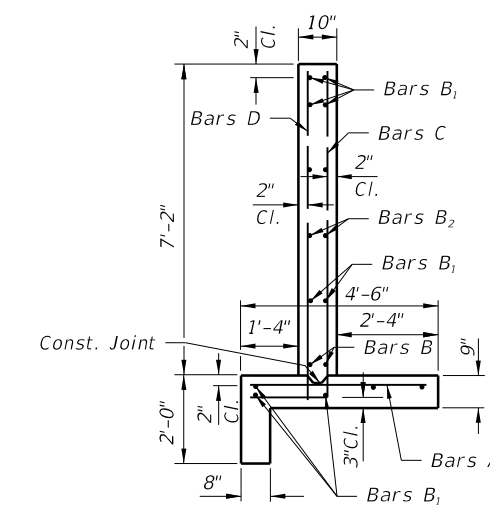


SECTION AA



HALF ELEVATION  
(Showing Bars In Front Face Of Wall)

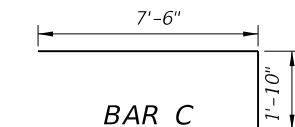
HALF ELEVATION  
(Showing Bars In Back Face Of Wall)



TYPICAL SECTION  
THRU ENDWALL

BILL OF REINFORCING STEEL					
MARK	SIZE	NO. REQD.	LENGTH	LOCATION	BENDING
A	#4	32	4'-2"	Footing	Straight
B <sub>1</sub>	#4	13	31'-8"	Footing & Wall	Straight
B <sub>2</sub>	#4	4	12'-4"	Wall	Straight
B <sub>3</sub>	#4	4	13'-9"	Wall	Straight
C	#4	26	9'-4"	Wall	Bend
D	#4	18	7'-6"	Wall	Straight
E	#4	8	1'-8"	Footing & Wall	Straight

BENDING DIAGRAM



NOTE: All bar dimensions are out to out

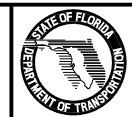
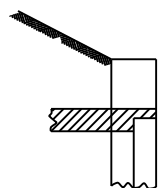
ESTIMATED QUANTITIES

ITEM	UNIT	RCP	CMP
Class II Concrete	Cu. Yd.	11.3	11.4
Reinforcing Steel	Lb.	695	695

GENERAL NOTES

1. Straight concrete endwalls are intended for use outside the clear zone.
2. Endwalls may be cast-in-place or precast construction. Cast-in-place endwalls shall conform to the details on this index, design specifications AASHTO 1989. Precast construction which adheres to this Index, including any additional reinforcement required for handling which shall be determined by the Contractor or supplier, does not require additional approvals. Deviations from this Index, for precast units, shall require the approval of the State Drainage Engineer prior to construction. For precast construction, see Index No. 201 for opening and grouting details.
3. Reinforcing steel shall be either Grade 40 or 60.
4. Concrete shall be Class II, except ASTM C478 (4000 psi) concrete may be substituted for precast items manufactured in plants meeting the requirements of Section 449 of the Specifications.
5. Chamfer: All exposed edges and corners to be chamfered  $\frac{3}{4}$ " unless otherwise shown.
6. That portion of corrugated metal pipe in direct contact with the concrete slab and extending 12" beyond shall have a continuous bituminous coating of .004" minimum thickness applied prior to placing of the concrete.
7. Sodding shall be in accordance with Index No. 281 and paid for under the contract unit price for Performance Turf, SY.
8. Basis of payment for either cast-in-place or precast construction shall be the estimated quantities tabulated on the Index. Concrete and reinforcing steel shall be paid for under the contract unit prices for Class II Concrete (Endwalls), CY and Reinforcing Steel (Roadway), LB.

OPTIONAL ENTRANCE  
FOR CONCRETE PIPE



FDOT 2014  
DESIGN STANDARDS

STRAIGHT CONCRETE ENDWALLS  
SINGLE AND DOUBLE 60" PIPE

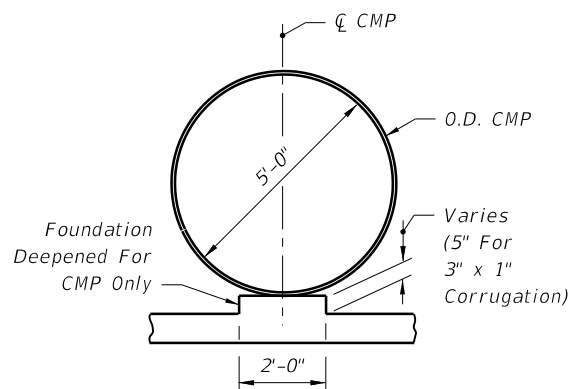
INDEX  
NO.  
251

SHEET  
NO.  
1 of 2

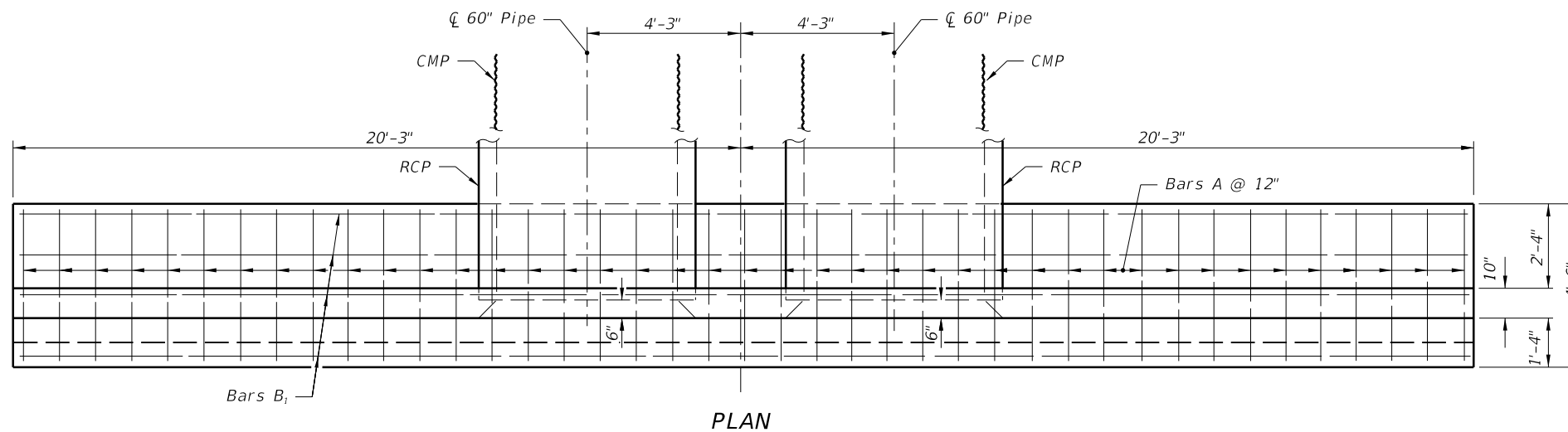
LAST  
REVISION  
07/01/09

REVISION

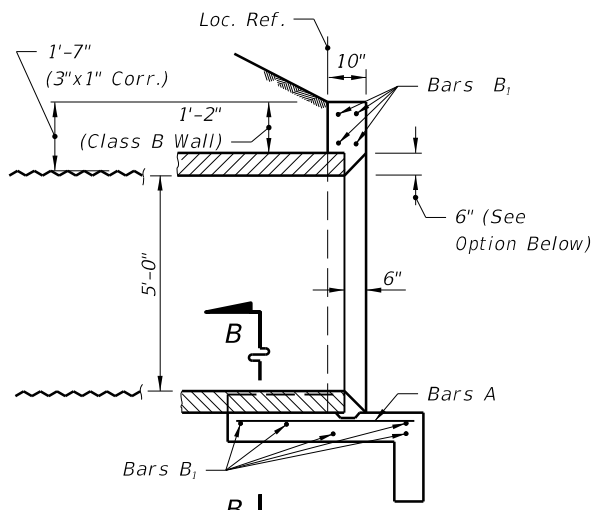
DESCRIPTION:



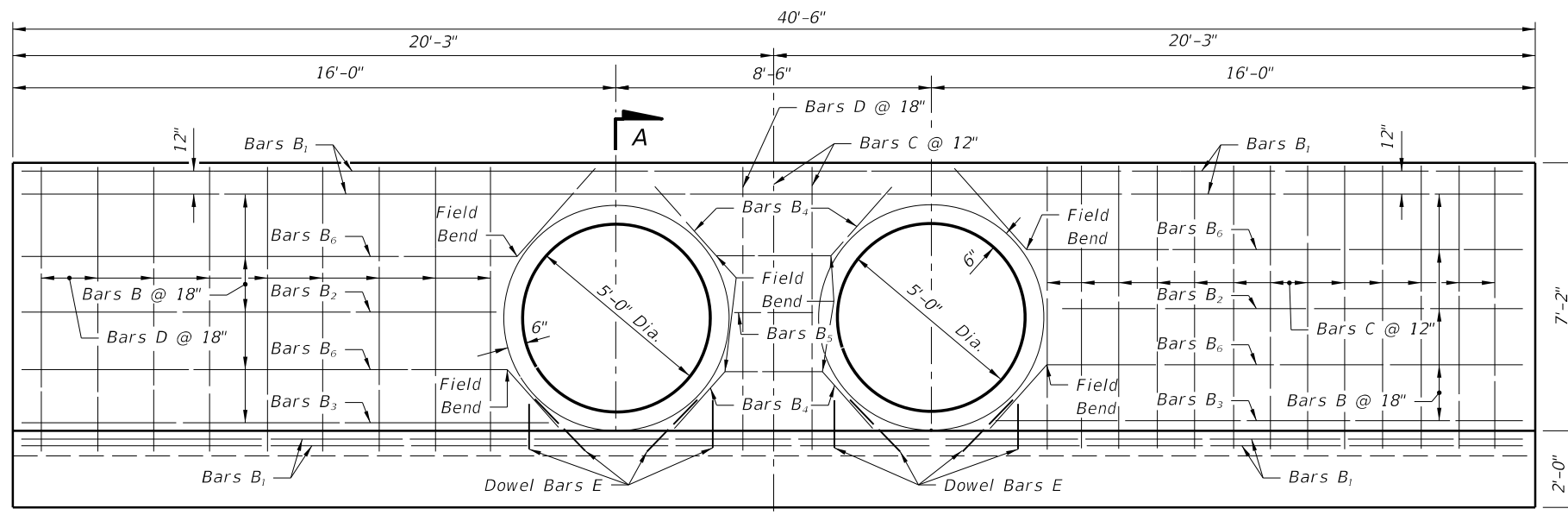
SECTION BB



PLAN

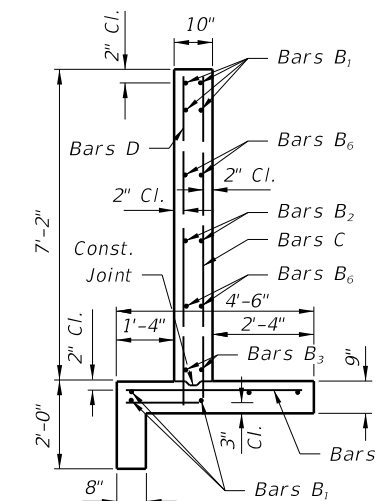


SECTION AA

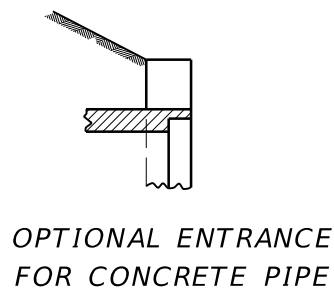


HALF ELEVATION  
(Showing Bars In Front Face Of Wall)

HALF ELEVATION  
(Showing Bars In Back Face Of Wall)



TYPICAL SECTION  
THRU ENDWALL

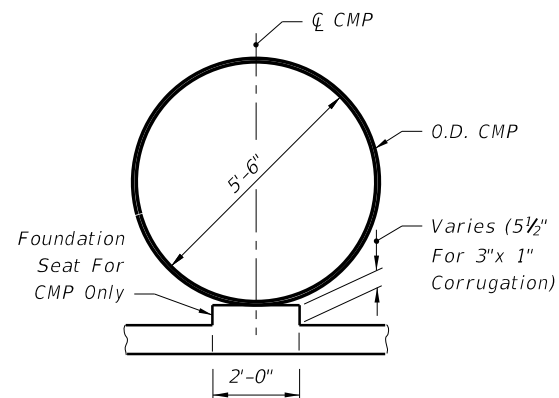


BILL OF REINFORCING STEEL					
MARK	SIZE	NO. REQD.	LENGTH	LOCATION	BENDING
A	#4	41	4'-2"	Footing	Straight
B <sub>1</sub>	#4	9	40'-2"	Footing & Wall	Straight
B <sub>2</sub>	#4	4	12'-6"	Wall	Straight
B <sub>3</sub>	#4	4	13'-9"	Wall	Straight
B <sub>4</sub>	#4	4	6'-0"	Wall	Field Bend
B <sub>5</sub>	#4	2	2'-2"	Wall	Straight
B <sub>6</sub>	#4	8	15'-0"	Wall	Field Bend
C	#4	29	9'-4"	Footing & Wall	Bend
D	#4	20	7'-6"	Footing & Wall	Straight
E	#4	16	1'-8"	Footing & Wall	Straight

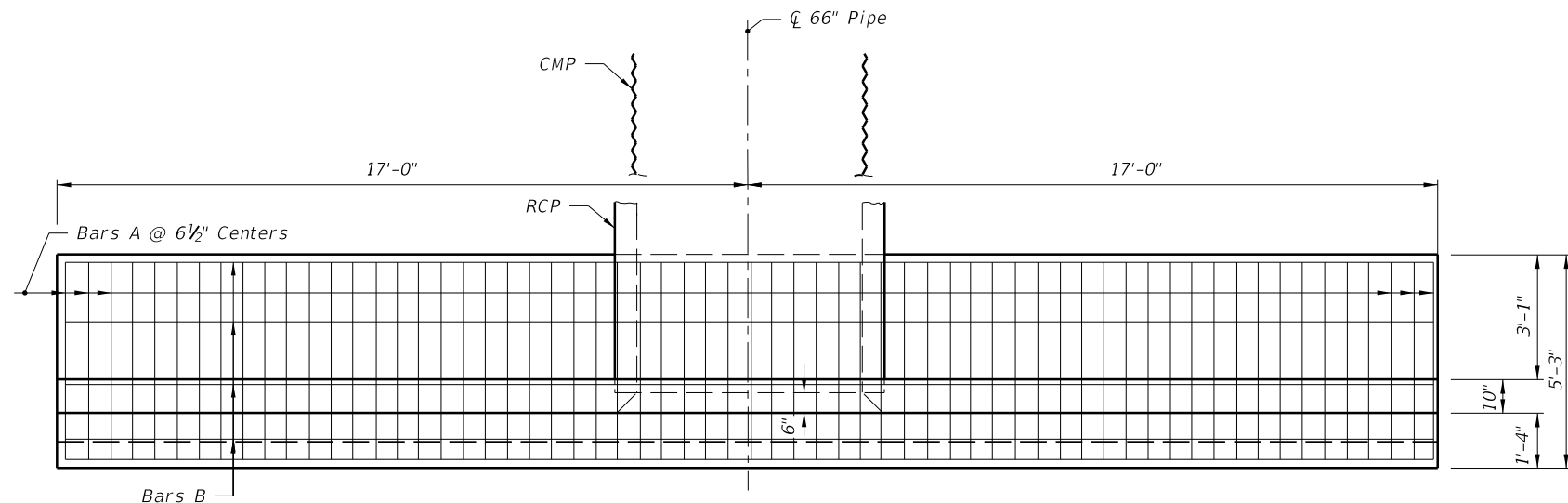
BENDING DIAGRAM			
NOTE: All bar dimensions are out to out			
ESTIMATED QUANTITIES			
ITEM	UNIT	RCP	CMP
Class II Concrete	Cu. Yd.	13.7	13.8
Reinforcing Steel	Lb.	824	824

NOTE: See Sheet 1 of 2 For General Notes.

C:\projects\standards\roadway\00200-s\00251-02.dgn 3:20:07 PM sm970re 6/24/2013



SECTION BB



PLAN  
(Showing Bars In Footing)

BILL OF REINFORCING STEEL					
MARK	SIZE	NO. REQD.	LENGTH	LOCATION	BENDING
A	5	63	4'-11"	Footing	Straight
B	4	17	33'-8"	Footing & Wall	Straight
C	5	34	9'-11"	Wall	Bend
D	4	20	8'-1"	Wall	Straight
E	4	4	1'-8"	Wall	Straight

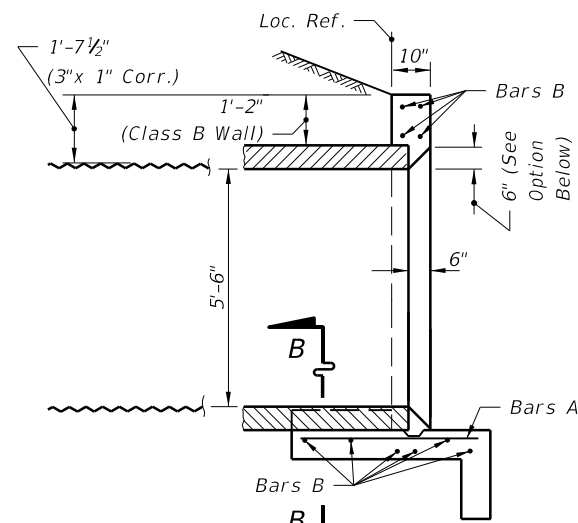
BENDING DIAGRAM



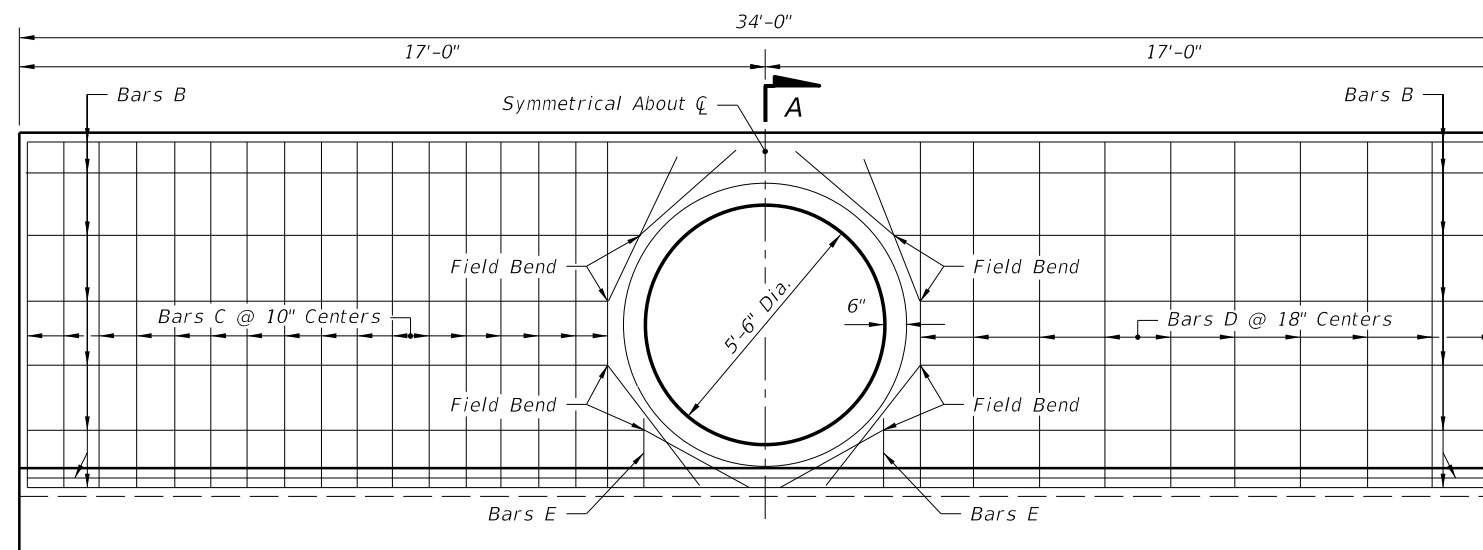
NOTE: All bar dimensions are out to out

ESTIMATED QUANTITIES

ITEM	UNIT	RCP	CMP
Class II Concrete	Cu. Yd.	13.2	13.3
Reinforcing Steel	Lb.	1170	1170



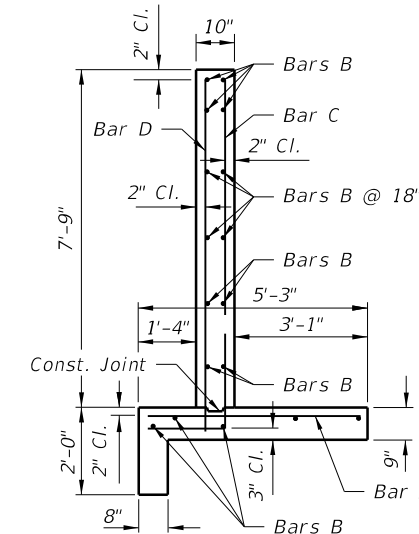
SECTION AA



HALF ELEVATION  
(Showing Bars In Back Face Of Wall)

NOTE: Cut and Field Bend Bars B As Shown

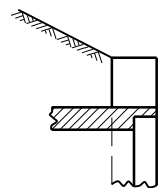
HALF ELEVATION  
(Showing Bars In Front Face Of Wall)



TYPICAL SECTION  
THRU ENDWALL

GENERAL NOTES

1. Straight concrete endwalls are intended for use outside the clear zone.
2. Endwalls may be cast-in-place or precast construction. Cast-in-place endwalls shall conform to the details on this index, design specifications AASHTO 1989. Precast construction which adheres to this Index, including any additional reinforcement required for handling which shall be determined by the Contractor or supplier, does not require additional approvals. Deviations from this Index, for precast units, shall require the approval of the State Drainage Engineer prior to construction. For precast construction, see Index No. 201 for opening and grouting details.
3. Reinforcing steel shall be either Grade 40 or 60.
4. Concrete shall be Class II except ASTM C478 (4000 psi) concrete may be substituted for precast items manufactured in plants meeting the requirements of Section 449 of the Specifications.
5. Chamfer: All exposed edges and corners to be chamfered  $\frac{3}{4}$ " unless otherwise shown.
6. That portion of corrugated Metal pipe in direct contact with the concrete slab and extending 12" beyond shall have a continuous bituminous coating of 0.004" minimum thickness applied prior to placing of the concrete.
7. Sodding shall be in accordance with Index No. 281 and paid for under the contract unit price for Performance Turf, SY.
8. Basis of payment for either cast-in-place or precast construction shall be the estimated quantities tabulated on the Index. Concrete and reinforcing steel shall be paid for under the contract unit prices for Class II Concrete (Endwalls), CY and Reinforcing Steel (Roadway), LB.

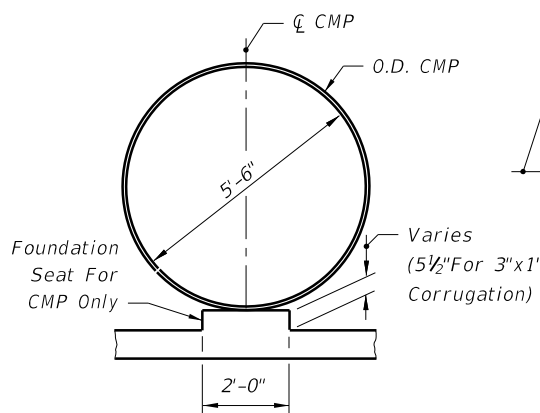


OPTIONAL ENTRANCE  
FOR CONCRETE PIPE

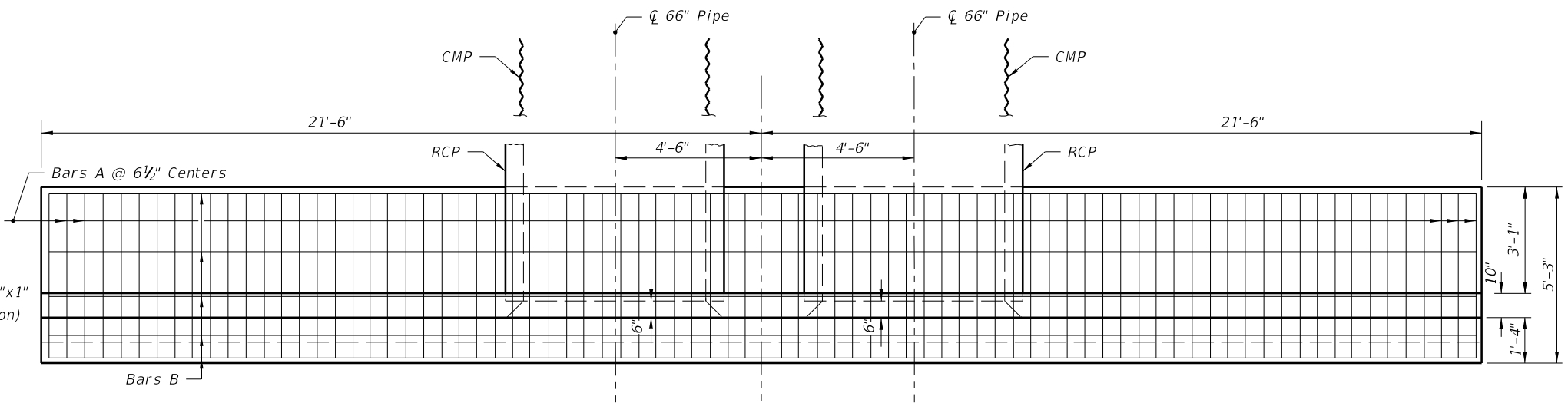
C:\projects\standards\roadway\00200-s\00252-01.dgn 3:20:09 PM smg70re 6/24/2013



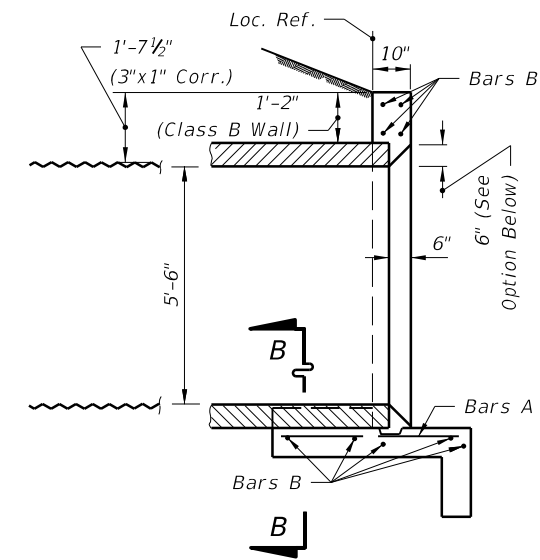
C:\projects\standards\roadway\02200-s\02252-02.dgn 3:20:11 PM sm970re 6/24/2013



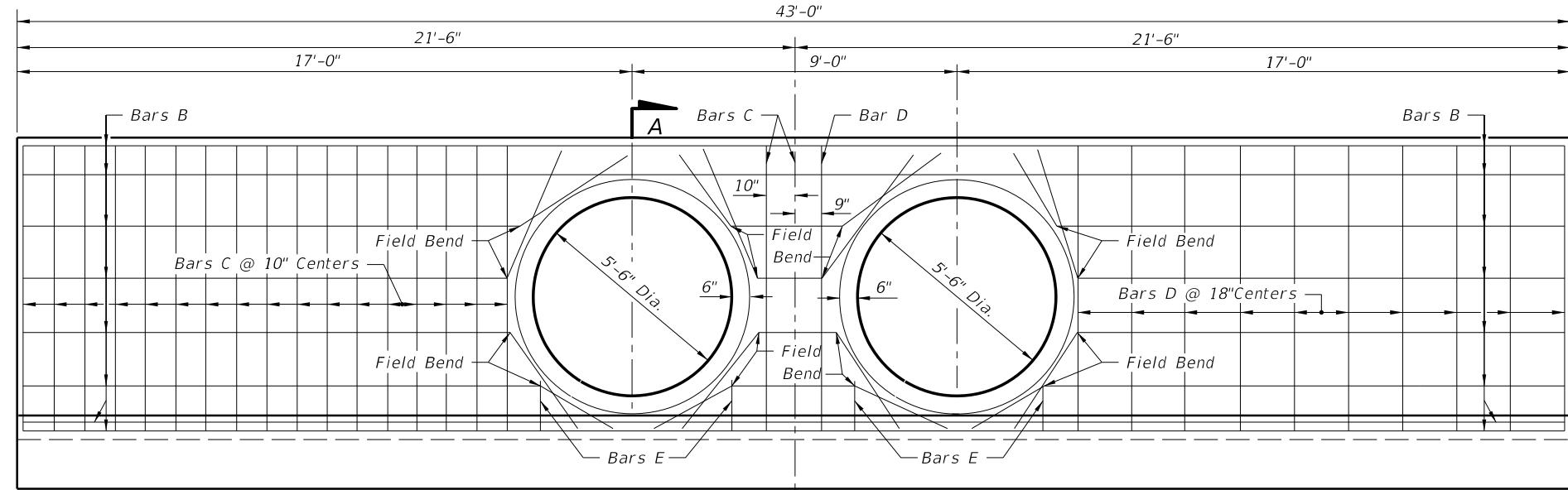
**SECTION BB**



**PLAN**  
(Showing Bars In Footing)

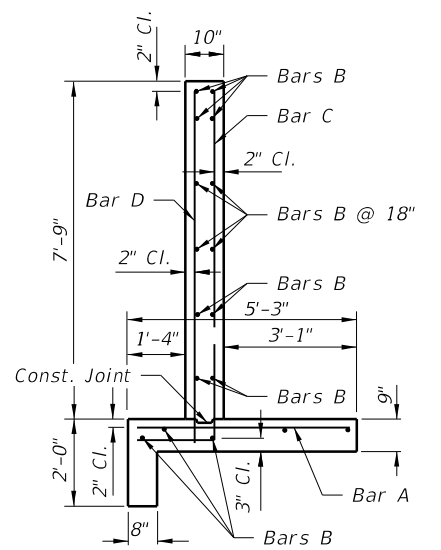


**SECTION AA**

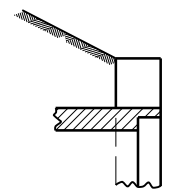


**HALF ELEVATION**  
(Showing Bars In Back Face Of Wall)

**HALF ELEVATION**  
(Showing Bars In Front Face Of Wall)

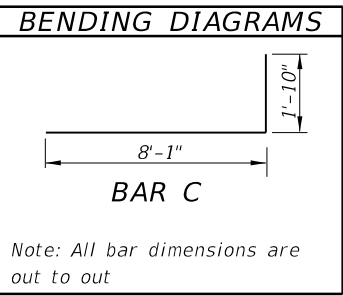


**TYPICAL SECTION THRU ENDWALL**



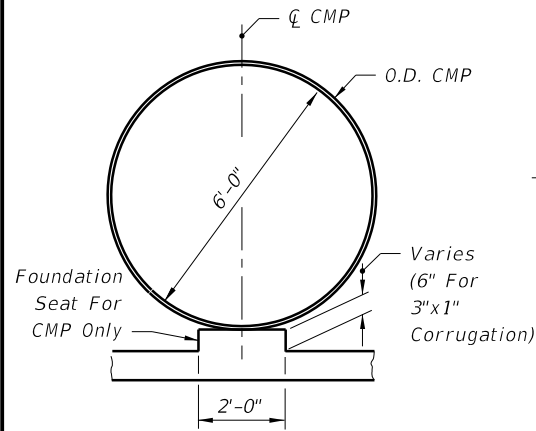
**OPTIONAL ENTRANCE FOR CONCRETE PIPE**

BILL OF REINFORCING STEEL					
MARK	SIZE	NO. REQD.	LENGTH	LOCATION	BENDING
A	5	80	4'-11"	Footing	Straight
B	4	17	42'-8"	Footing & Wall	Straight
C	5	37	9'-11"	Wall	Bend
D	4	22	8'-1"	Wall	Straight
E	4	8	1'-8"	Wall	Straight

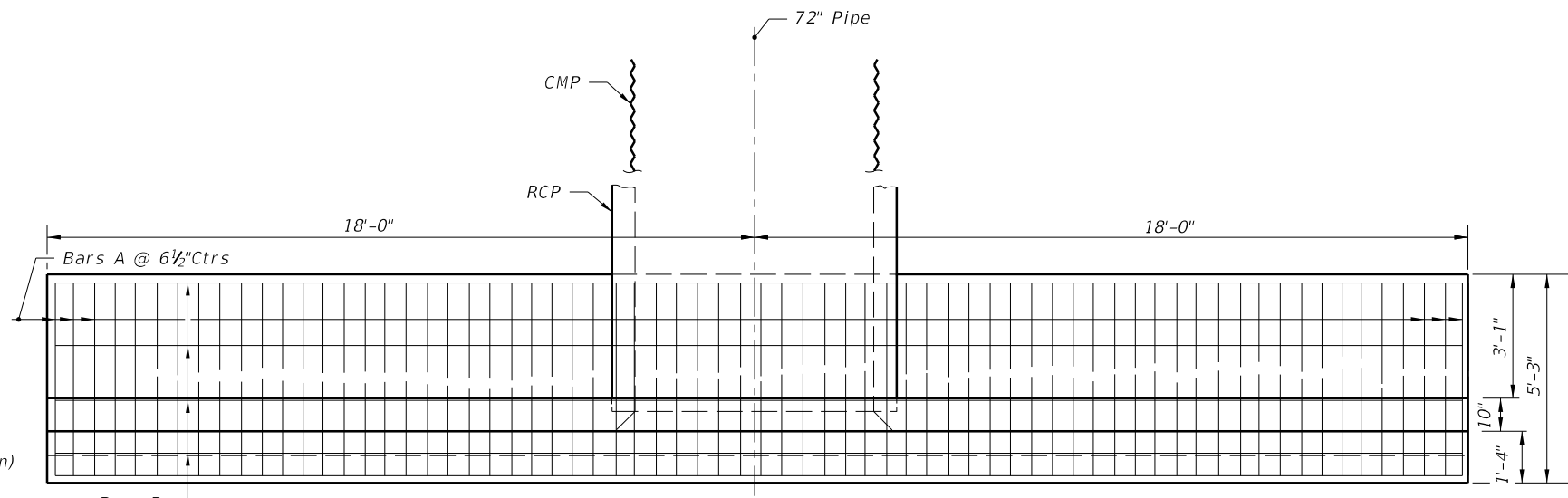


ESTIMATED QUANTITIES			
ITEM	UNIT	RCP	CMP
Class II Concrete	Cu. Yd.	16.0	16.2
Reinforcing Steel	Lb.	1,406	1,406

NOTE: See Sheet 1 of 2 for General Notes.



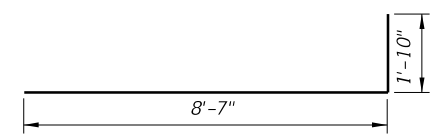
SECTION BB



PLAN  
(Showing Bars In Footing)

BILL OF REINFORCING STEEL					
MARK	SIZE	NO. REQD.	LENGTH	LOCATION	BENDING
A	5	68	4'-11"	Footing	Straight
B	4	17	35'-8"	Footing & Wall	Straight
C	5	34	10'-5"	Wall	Bend
D	4	20	8'-7"	Wall	Straight
E	4	4	2'-6"	Wall	Straight
F	4	4	1'-6"	Wall	Straight

BENDING DIAGRAM

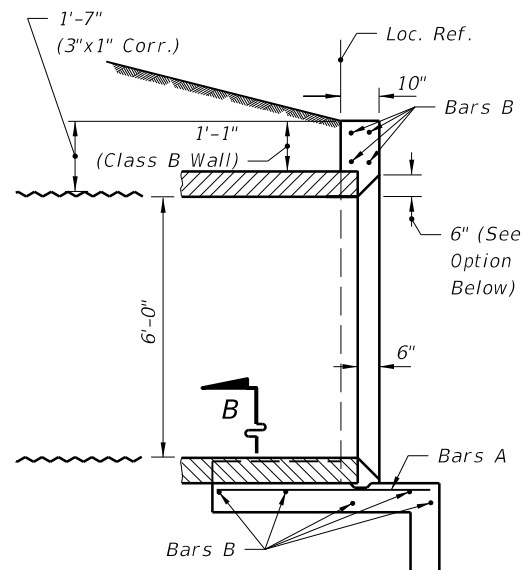


BAR C

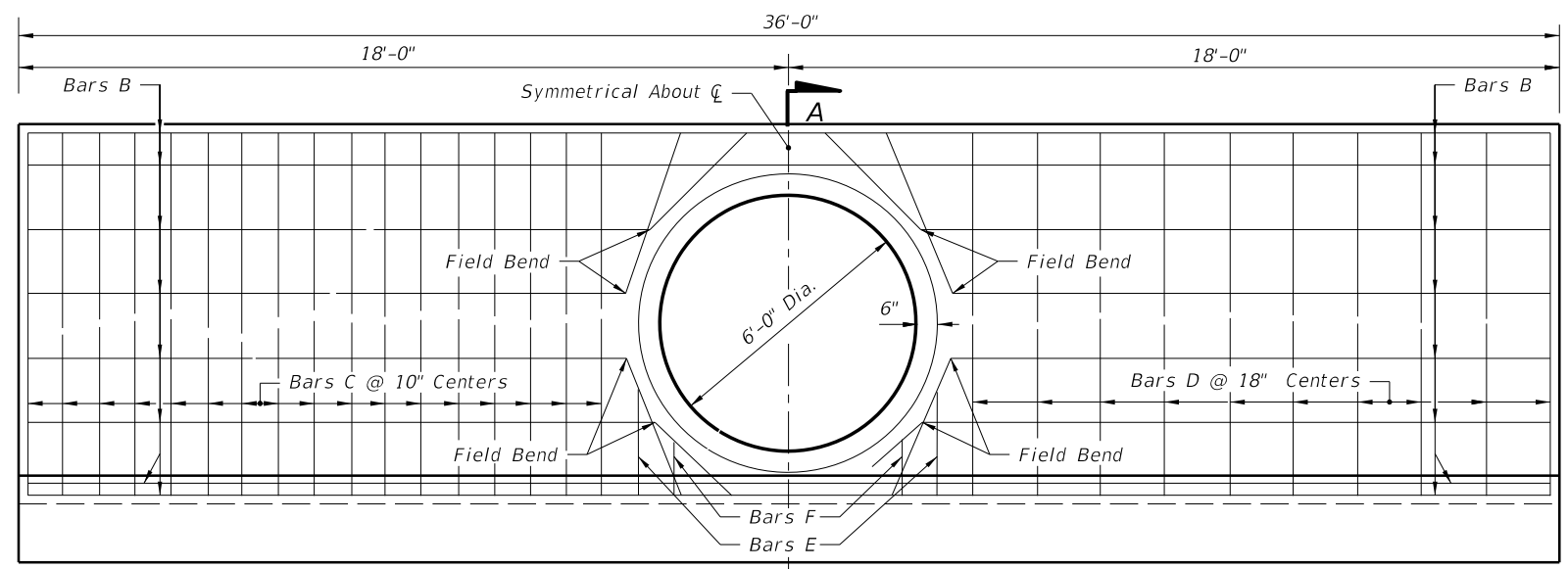
NOTE: All bar dimensions are out to out

ESTIMATED QUANTITIES

ITEM	UNIT	RCP	CMP
Class II Concrete	Cu. Yd.	14.4	14.5
Reinforcing Steel	Lb.	1249	1249



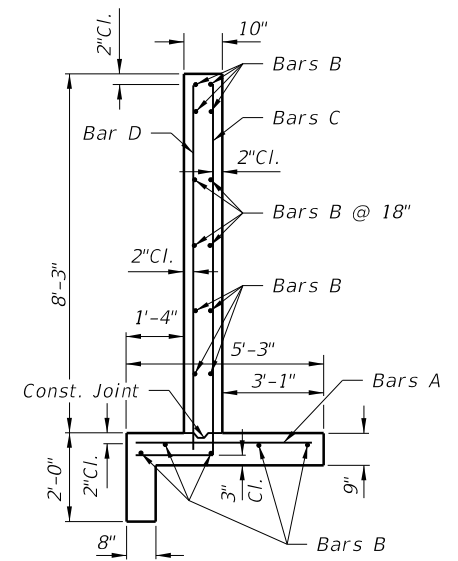
SECTION AA



HALF ELEVATION  
(Showing Bars In Back Face Of Wall)

HALF ELEVATION  
(Showing Bars In Front Face Of Wall)

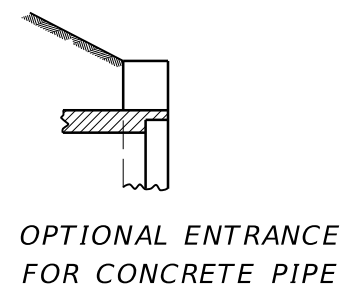
NOTE: Cut and Field Bend Bars B As Shown



TYPICAL SECTION  
THRU ENDWALL

GENERAL NOTES

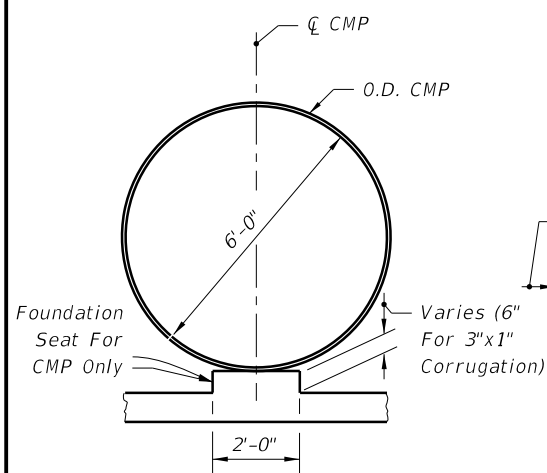
1. Straight concrete endwalls are intended for use outside the clear zone.
2. Endwalls may be cast-in-place or precast construction. Cast-in-place endwalls shall conform to the details on this index, design specifications AASHTO 1989. Precast construction which adheres to this Index, including any additional reinforcement required for handling which shall be determined by the Contractor or supplier, does not require additional approvals. Deviations from this Index, for precast units, shall require the approval of the State Drainage Engineer prior to construction. For precast construction, see Index No. 201 for opening and grouting details.
3. Reinforcing steel shall be either Grade 40 or 60.
4. Concrete shall be Class II, except ASTM C478 (4000 psi) concrete may be substituted for precast items manufactured in plants meeting the requirements of Section 449 of the Specifications.
5. Chamfer: All exposed edges and corners to be chamfered 3/4" unless otherwise shown.
6. That portion of corrugated Metal pipe in direct contact with the concrete slab and extending 12" beyond shall have a continuous bituminous coating of 0.004" minimum thickness coated applied prior to placing of the concrete.
7. Sodding shall be in accordance with Index No. 281 and paid for under the contract unit price for Performance Turf, SY.
8. Basis of payment for either cast-in-place or precast construction shall be the estimated quantities tabulated on the Index. Concrete and reinforcing steel shall be paid for under the contract unit prices for Class II Concrete (Endwalls), CY and Reinforcing Steel (Roadway), LB.



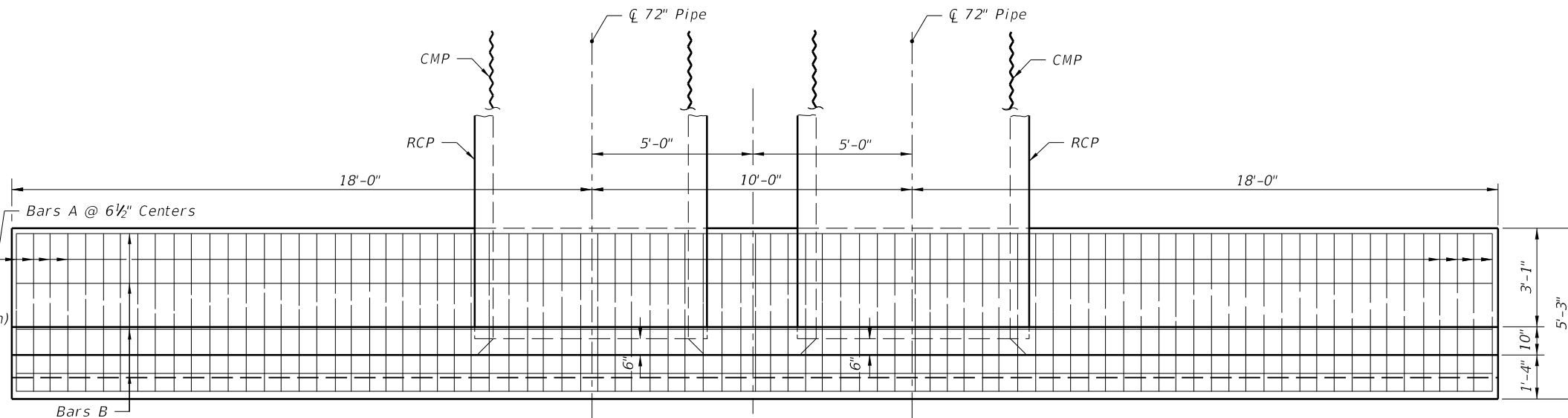
OPTIONAL ENTRANCE  
FOR CONCRETE PIPE

C:\projects\standards\roadway\02200-s\02253-01.dgn 3:20:13 PM sm970re 6/24/2013

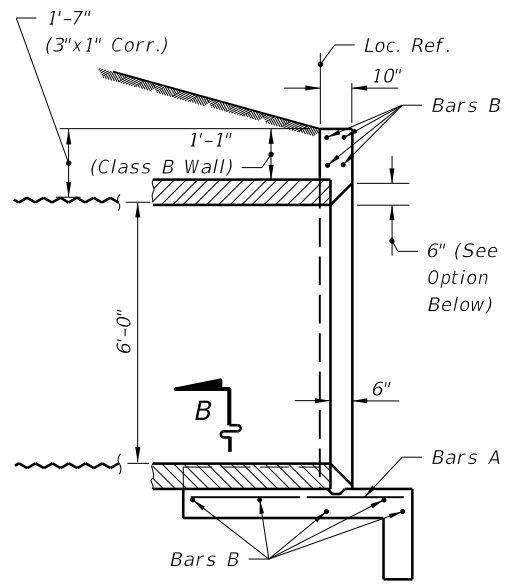
C:\projects\standards\roadway\02200-s\02253-02.dgn  
sm970re  
3:20:15 PM  
6/24/2013



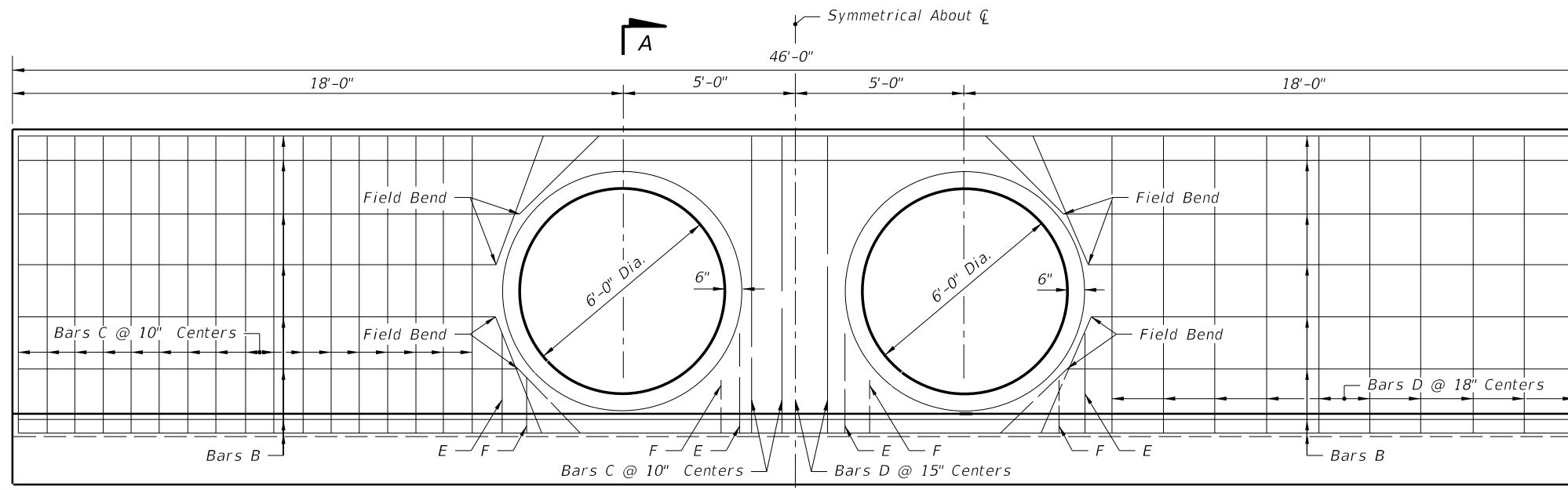
SECTION BB



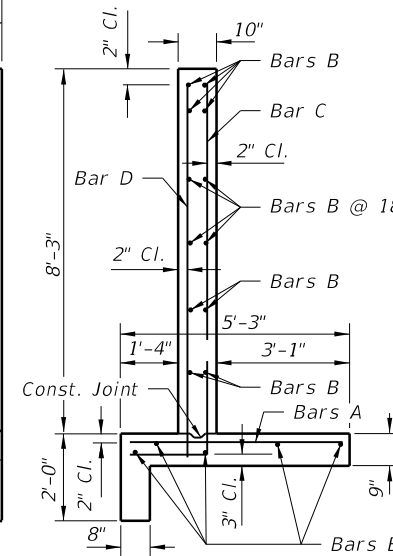
PLAN  
(Showing Bars In Footing)



SECTION AA

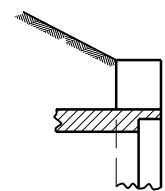


HALF ELEVATION  
(Showing Bars In Back Face Of Wall)

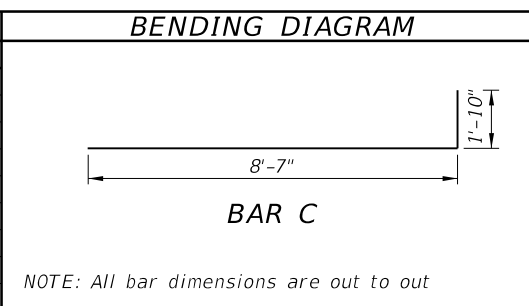


TYPICAL SECTION  
THRU ENDWALL

OPTIONAL ENTRANCE  
FOR CONCRETE PIPE



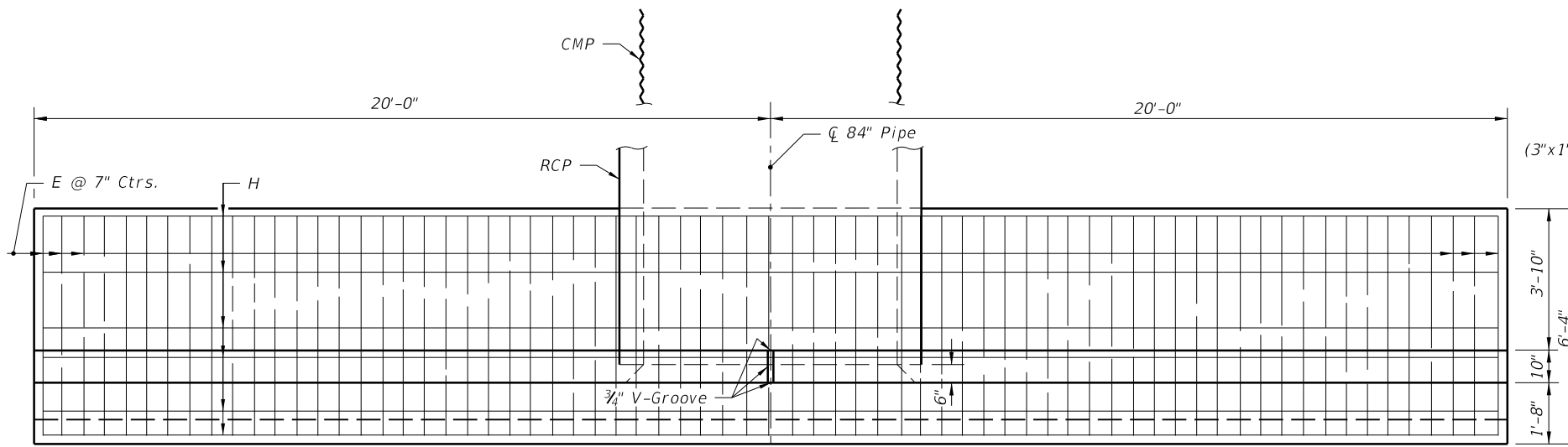
BILL OF REINFORCING STEEL					
MARK	SIZE	NO. REQD.	LENGTH	LOCATION	BENDING
A	5	85	4'-11"	Footing	Straight
B	4	17	45'-8"	Footing & Wall	Straight
C	5	38	10'-5"	Wall	Bend
D	4	23	8'-7"	Wall	Straight
E	4	8	2'-6"	Wall	Straight
F	4	8	1'-6"	Wall	Straight



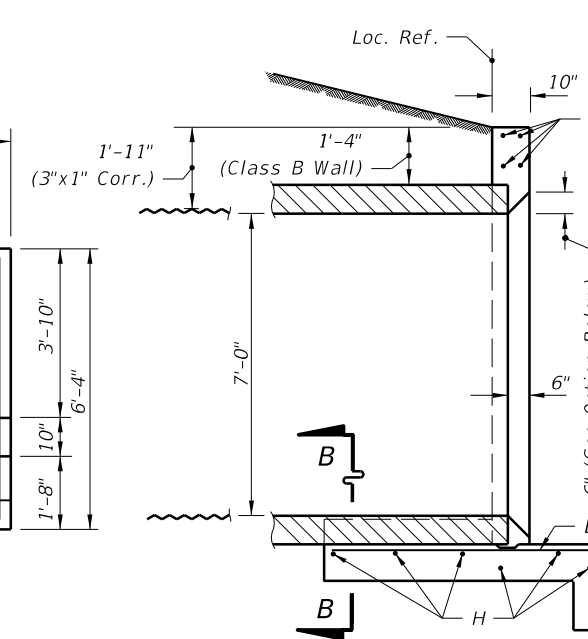
NOTE: All bar dimensions are out to out

ESTIMATED QUANTITIES			
ITEM	UNIT	RCP	CMP
Concrete Class II	Cu. Yd.	17.5	17.8
Reinforcing Steel	Lb.	1519	1519

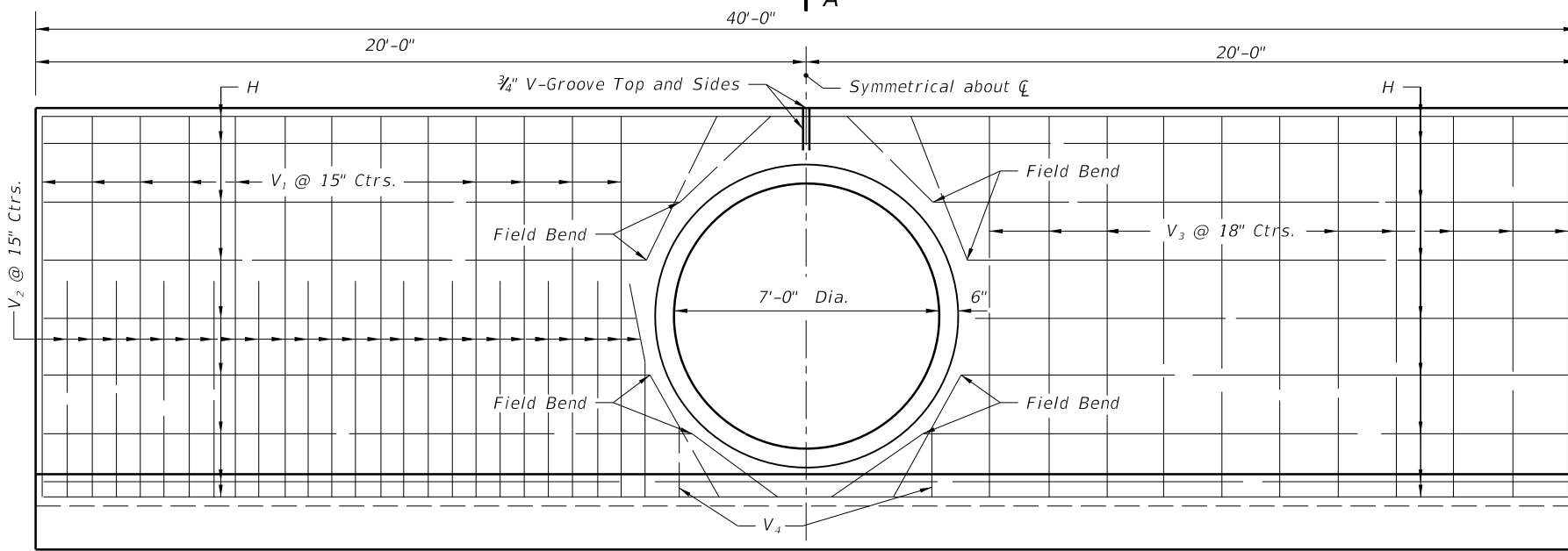
NOTE: See Sheet 1 of 2 for General Notes.



PLAN  
(Showing Bars In Footing)

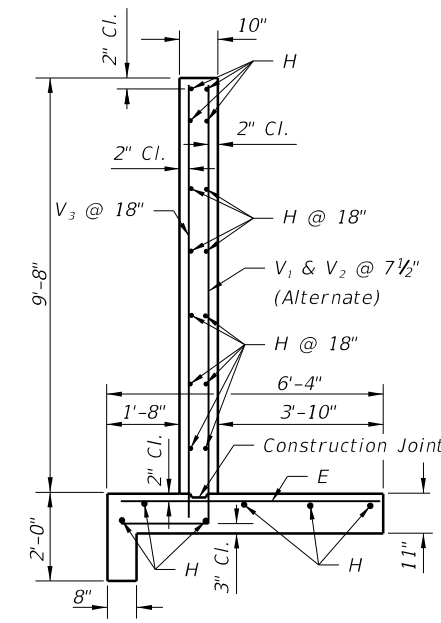


SECTION AA

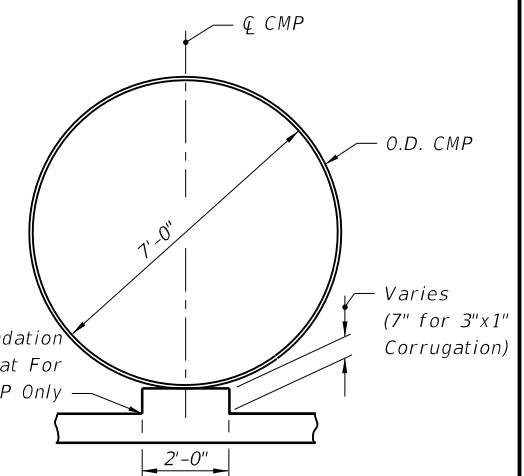


HALF ELEVATION  
(Showing Bars In Back Face Of Wall)

Note: Cut and field bend Bars H as shown



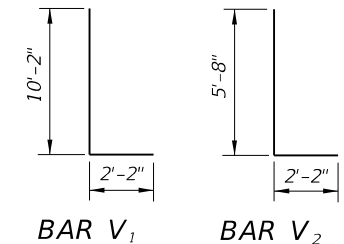
TYPICAL SECTION  
THRU ENDWALL



SECTION BB

BILL OF REINFORCING STEEL			
MARK	SIZE	NO. REQD.	LENGTH
E	6	69	6'-0"
H	4	20	39'-8"
V <sub>1</sub>	6	26	12'-4"
V <sub>2</sub>	6	26	7'-10"
V <sub>3</sub>	4	22	10'-2"
V <sub>4</sub>	4	4	2'-0"

BENDING DIAGRAM



NOTE: All bar dimensions are out to out

ESTIMATED QUANTITIES

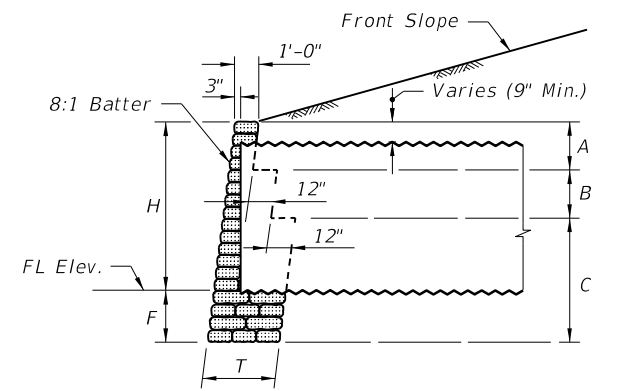
ITEM	UNIT	RCP	CMP
Class II Concrete	Cu. Yd.	20.0	20.2
Reinforcing Steel	Lb.	2,095	2,095

GENERAL NOTES

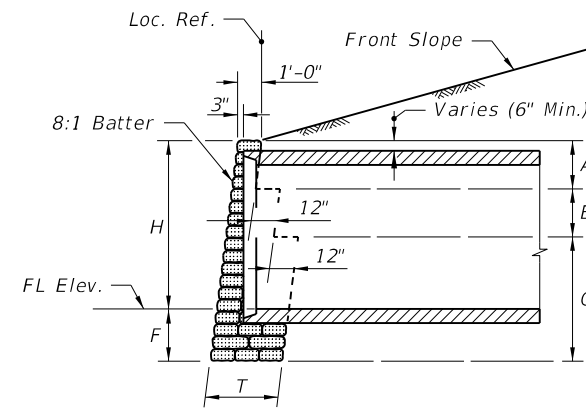
1. Straight concrete endwalls are intended for use outside the clear zone.
2. Endwalls may be cast-in-place or precast construction. Cast-in-place endwalls shall conform to the details on this index, design specifications AASHTO 1989. Precast construction which adheres to this Index, including any additional reinforcement required for handling which shall be determined by the Contractor or supplier, does not require additional approvals. Deviations from this Index, for precast units, shall require the approval of the State Drainage Engineer prior to construction. For precast construction, see Index No. 201 for opening and grouting details.
3. Reinforcing steel shall be either Grade 40 or 60.
4. Concrete shall be Class II, except ASTM C478 (4000 psi) concrete may be substituted for precast items manufactured in plants meeting the requirements of Section 449 of the Specifications.
5. Chamfer: All exposed edges and corners to be chamfered 3/4" unless otherwise shown.
6. That portion of corrugated metal pipe in direct contact with the concrete slab and extending 12" beyond shall have a continuous bituminous coating of 0.004" minimum thickness applied prior to placing of the concrete.
7. Sodding shall be in accordance with Index No. 281 and paid for under the contract unit price for Performance Turf, SY.
8. Basis of payment for either cast-in-place or precast construction shall be the estimated quantities tabulated on the Index. Concrete and reinforcing steel shall be paid for under the contract unit prices for Class II Concrete (Endwalls), CY and Reinforcing Steel (Roadway), LB.

OPTIONAL ENTRANCE  
FOR CONCRETE PIPE

C:\projects\standards\roadway\00200-s\00255-01.dgn 3:20:17 PM sm970re 6/24/2013

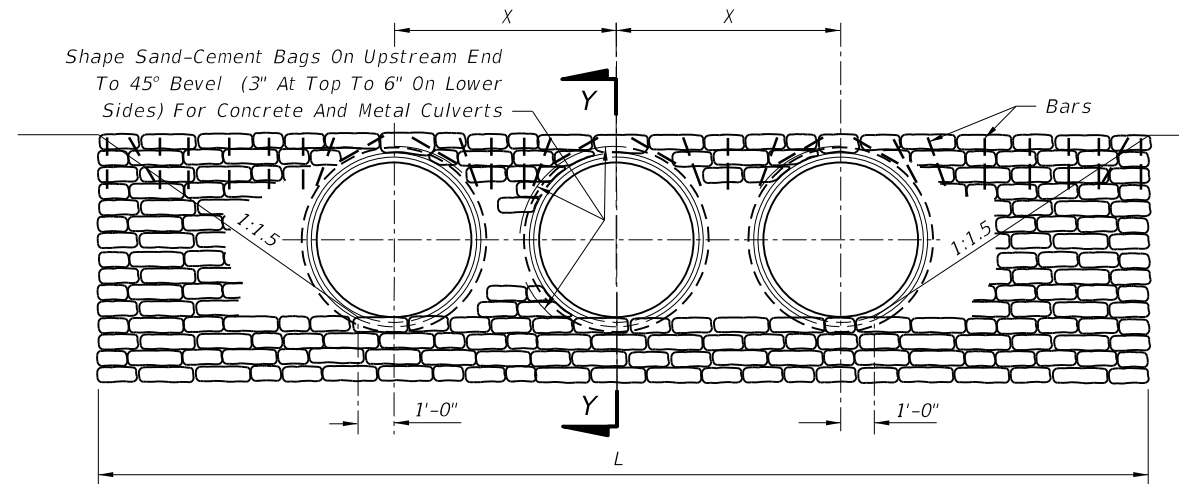


CORRUGATED METAL PIPE



CONCRETE PIPE

SECTION YY



Note:

1. For concrete and corrugated metal pipes. Concrete pipe shown.
2. The top row of riprap bags shall be secured by pinning, using #4 reinforcing bars 18 inches in length, as follows:
  - a. The end bags shall be secured using two bars per bag, one vertical and one diagonal as shown.
  - b. The next to last bag on each end shall be secured with two bars vertically.
  - c. Bags located over the pipe shall be secured by a bar which is driven diagonally except that for concrete pipe two bars shall be used for single bags above the pipe.
  - d. Intermediate bags shall be secured with a single bar.

Bars shall be driven to one inch below the surface of the bag. The cost of furnishing and installing the bars shall be included in the cost of the riprap.

FRONT ELEVATION

TABLE OF DIMENSIONS AND QUANTITIES FOR ONE ENDWALL

SIZE OF PIPE	H	T	A	B	C	F	X	ONE PIPE CULVERTS		TWO PIPE CULVERTS		THREE PIPE CULVERTS		FOUR PIPE CULVERTS					
								L	RIPRAP CY		L	RIPRAP CY		L	RIPRAP CY		L	RIPRAP CY	
									CP	CMP		CP	CMP		CP	CMP		CP	CMP
18"	2'-3"	1'-0"	4'-0"	0'-0"	0'-0"	1'-9"	2'-10"	8'-9"	1.2	1.2	11'-7"	1.5	1.6	14'-5"	1.8	1.9	17'-3"	2.1	2.3
24"	2'-9"	2'-0"	2'-0"	2'-6"	0'-0"	1'-9"	3'-5"	10'-3"	2.4	2.5	13'-8"	3.0	3.2	17'-1"	3.7	4.0	20'-6"	4.3	4.7
30"	3'-4"	2'-0"	2'-0"	3'-2"	0'-0"	1'-10"	4'-3"	12'-0"	3.3	3.4	16'-3"	4.2	4.5	20'-6"	5.1	5.5	24'-9"	6.0	6.5
36"	3'-10"	2'-0"	2'-0"	3'-8"	0'-0"	1'-10"	5'-1"	13'-6"	4.0	4.2	18'-7"	5.2	5.7	23'-8"	6.3	6.9	28'-9"	7.4	8.2
42"	4'-5"	3'-0"	2'-0"	2'-0"	2'-4"	1'-11"	6'-0"	15'-3"	6.4	6.7	21'-3"	8.3	8.9	27'-3"	10.2	11.2	33'-3"	12.3	13.4
48"	4'-11"	3'-0"	2'-0"	2'-0"	2'-10"	1'-11"	6'-9"	16'-9"	7.7	8.1	23'-6"	10.0	10.8	30'-3"	12.3	13.5	37'-0"	14.5	16.2
54"	5'-6"	3'-0"	2'-0"	2'-0"	3'-6"	2'-0"	7'-8"	18'-6"	9.5	10.1	26'-2"	12.4	13.5	33'-10"	15.3	17.0	41'-6"	18.2	20.4
60"	6'-0"	3'-0"	2'-0"	2'-0"	4'-0"	2'-0"	8'-6"	20'-0"	11.0	11.7	28'-6"	14.4	15.8	37'-0"	17.8	19.8	45'-6"	21.1	23.8
66"	6'-7"	3'-0"	2'-0"	2'-0"	4'-8"	2'-1"	9'-3"	21'-9"	13.2	14.1	31'-0"	17.2	18.9	40'-3"	21.2	23.7	49'-6"	25.1	28.5
72"	7'-1"	3'-0"	2'-0"	2'-0"	5'-2"	2'-1"	10'-0"	23'-3"	15.0	16.0	33'-3"	19.4	21.4	43'-3"	23.9	26.8	53'-3"	28.3	32.3
78"	7'-8"	3'-0"	2'-0"	2'-0"	5'-10"	2'-2"	10'-9"	25'-0"	17.5	18.7	35'-9"	22.6	25.0	46'-6"	27.8	31.3	57'-3"	32.9	37.6
84"	8'-2"	3'-0"	2'-0"	2'-0"	6'-4"	2'-2"	11'-8"	26'-6"	19.5	20.9	38'-2"	25.3	28.1	49'-10"	31.1	35.2	61'-6"	36.9	42.4

GENERAL NOTES

1. Straight sand-cement endwalls are intended for use outside the clear zone.

6/24/2013 3:20:19 PM smg70re C:\projects\standards\roadway\00200-s\00258-01.dgn

LAST REVISION  
07/01/07

REVISION DESCRIPTION:

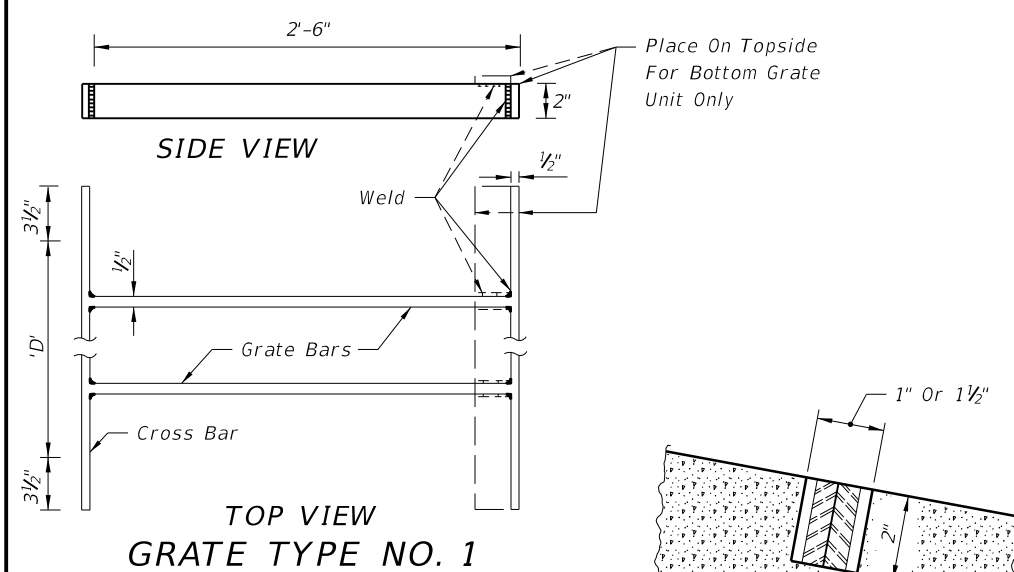
STATE OF FLORIDA  
DEPARTMENT OF TRANSPORTATION  
FDOT 2014  
DESIGN STANDARDS

STRAIGHT SAND-CEMENT ENDWALLS

INDEX NO.  
258

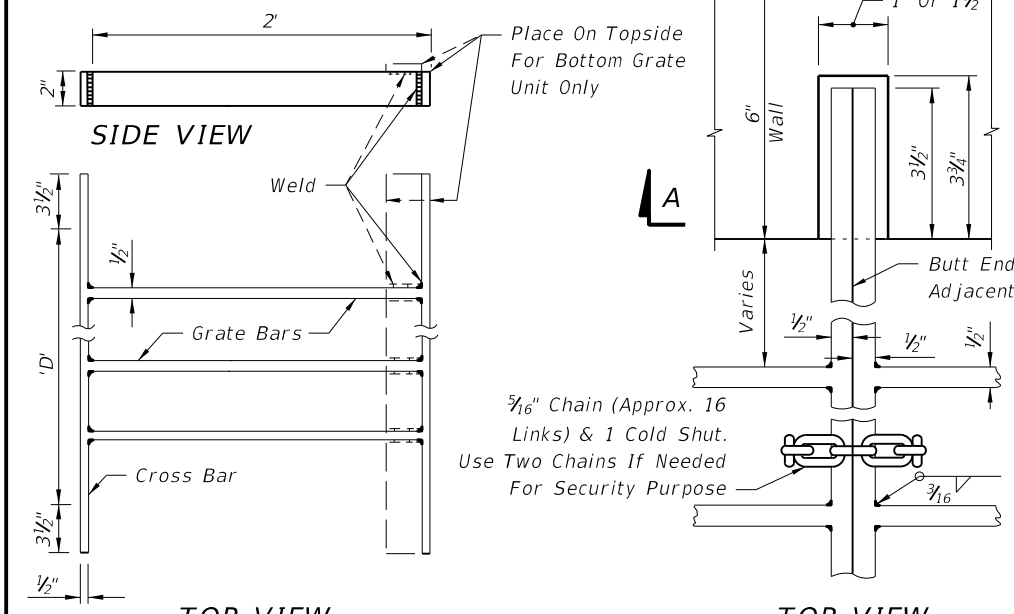
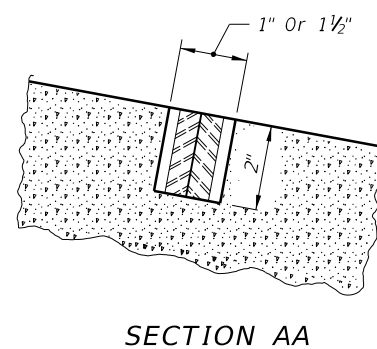
SHEET NO.  
1 of 1

C:\projects\standards\roadway\00200-s\00260-01.dgn  
 smg70re  
 3:20:21 PM  
 6/24/2013



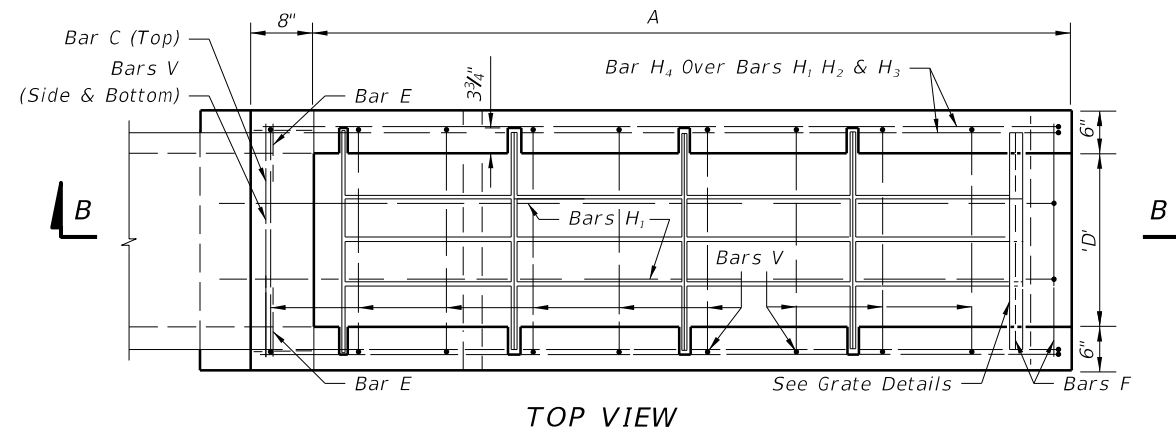
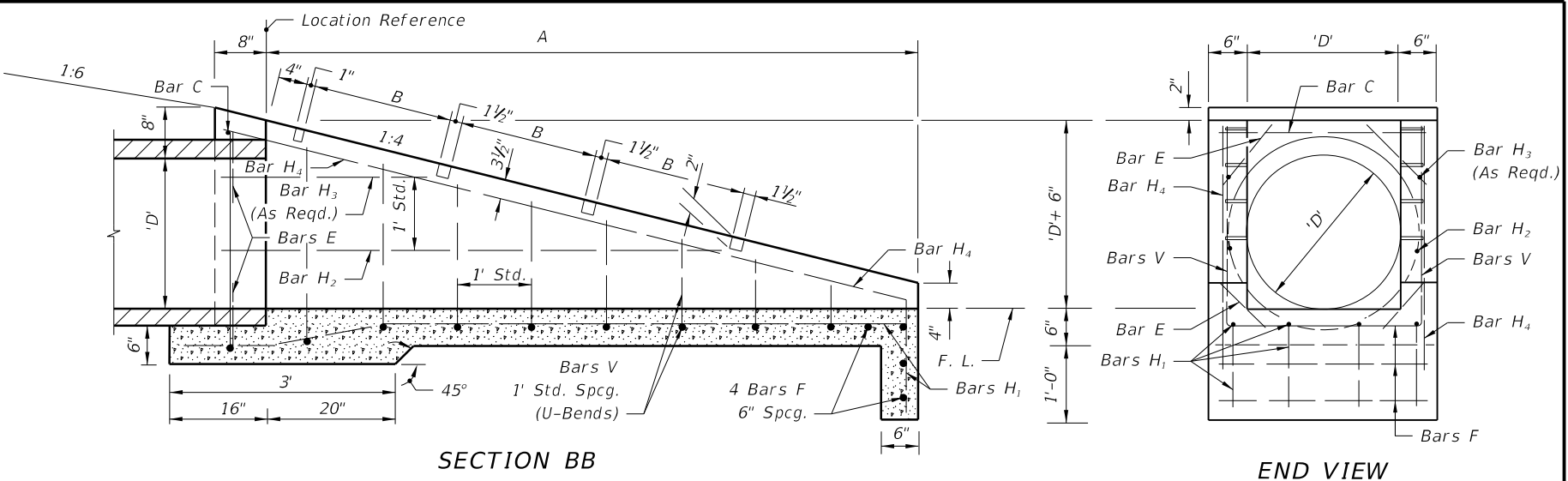
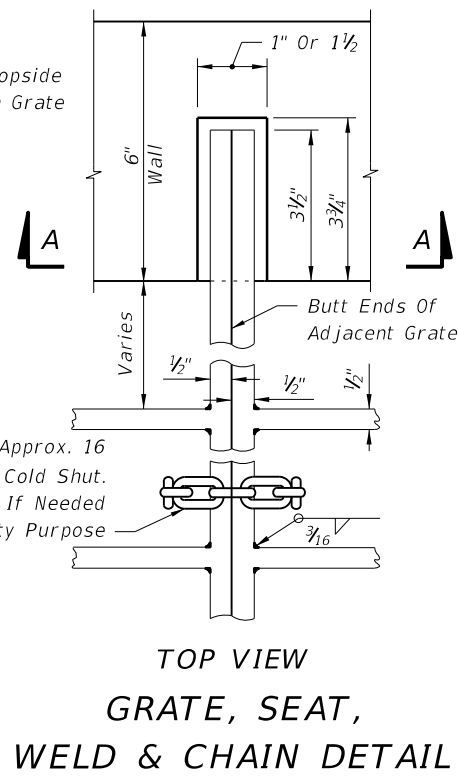
Pipe Size	Grate Bars Req'd.	Grate (lb)
15"	2	28.93

Bars to be evenly spaced across dimension 'D'  
All bars 1/2" x 2"



Pipe Size	Grate Bars Req'd.	Grate (lb)
18"	3	33.69
24"	4	43.63
30"	5	53.55

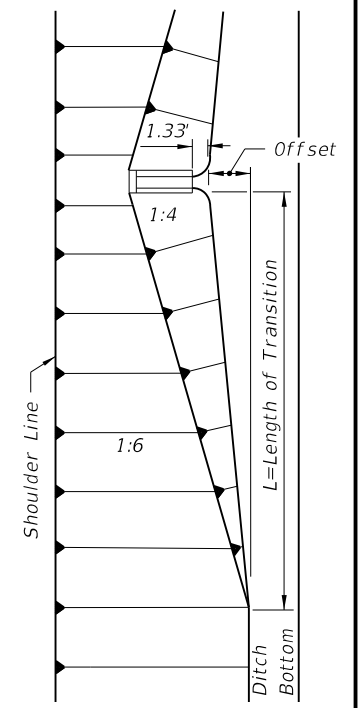
Bars to be evenly spaced across dimension 'D'.  
All bars 1/2" x 2".



Slope	Pipe Size D	TABLE OF DIMENSIONS AND QUANTITIES									
		A	B	Class I Conc. (CY)	Reinf. Steel (lb)	Number Of Grates Req'd.		Total Grate Wt. (lb)	Sodding (SY)	Slope Transition	
						Type No. 1	Type No. 2			Offset	L
1:4	15"	5.67'	2.38'	0.85	56	2	0	57.86	15	4.2'	42'
	18"	6.67'	1.875'	1.01	73	0	3	101.08	16	4.8'	48'
	24"	8.67'	1.875'	1.65	97	0	4	174.52	19	5.8'	58'
	30"	10.67'	1.875'	2.33	129	0	5	267.75	21	6.9'	69'

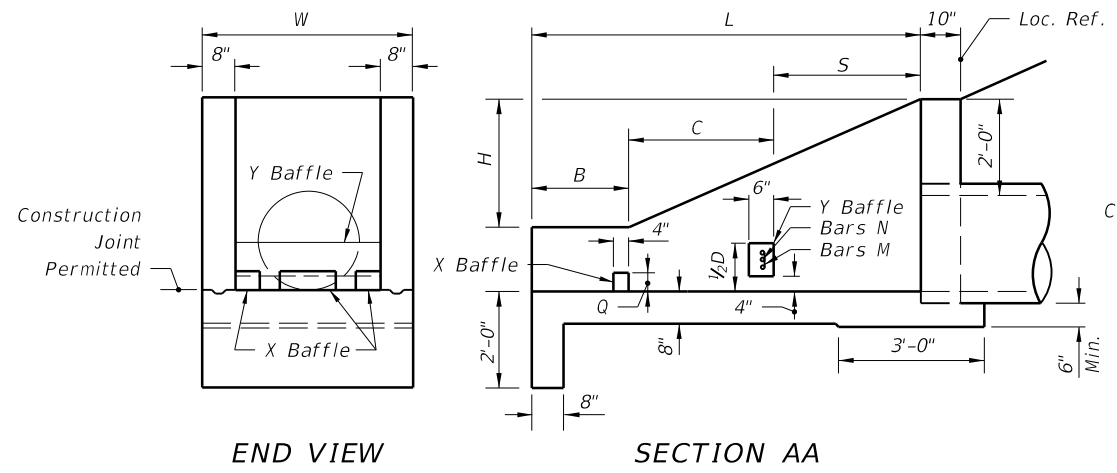
**GENERAL NOTES**

- This endwall is to be used only in the clear zone for the drainage of medians and other areas having low design velocities and negligible debris.
- Reinforcing steel: All bars are size #4. Spacings shown are center to center. Laps to be 12" minimum. Clearance is 2" except as noted. Square welded wire fabric (two cages max.) having an equivalent cross sectional area (0.20 sq. in.) may be substituted for bar reinforcement.
- Grates shall be ASTM A242/A242M, A572/A572M or ASTM A588/A588M, Grade 50 steel. When "Alt. G" grates are specified in the plans, grates shall be galvanized in accordance with Section 975 and 425.3.2 of the Standard Specifications.
- Endwall to be paid for under the contract unit price for U-Endwall, Each. Payment shall include cost of concrete, reinforcing steel, grate, and accessories. Quantities shown are for estimating purposes only.
- Sod slopes 5' each side and above endwall. Sodding to be paid for under contract unit price for Performance Turf, SY.
- Precasting of this endwall will be permitted. Precast units shall conform to the dimensions shown or in accordance with approved shop drawings. Request for shop drawing approval shall be directed to the State Drainage Engineer. Use Index No. 201 for opening and grouting details.
- Concrete shall be Class I except ASTM C478 (4000 psi) concrete may be substituted for precast items manufactured in plants meeting the requirements of Section 449 of the Specifications.



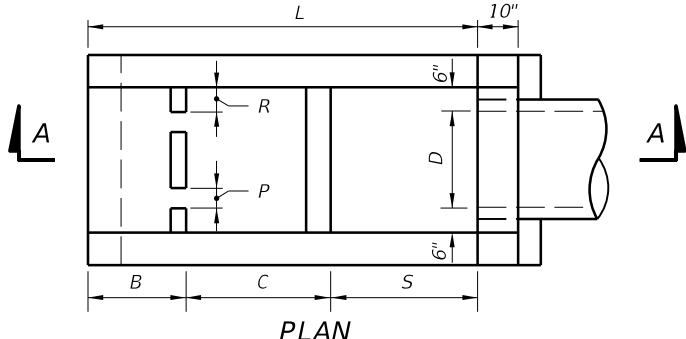
**FRONT SLOPE TRANSITION AT ENDWALL**

C:\projects\standards\roadway\02200-s\02261-01.dgn  
 smg70re  
 3:20:23 PM  
 6/24/2013



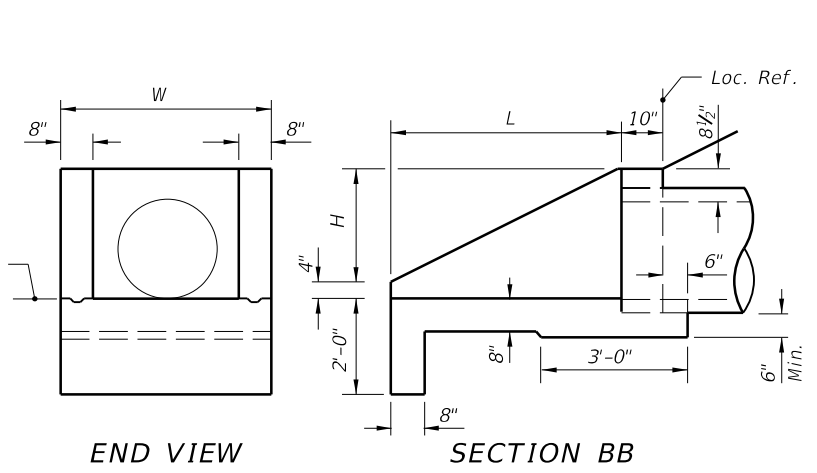
END VIEW

SECTION AA



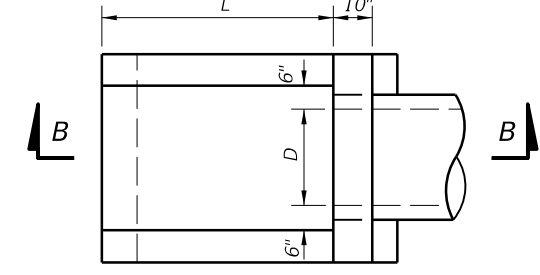
PLAN

DIMENSIONAL DETAILS



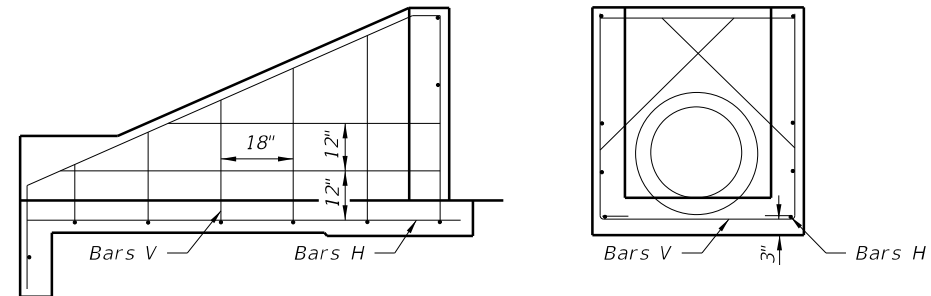
END VIEW

SECTION BB

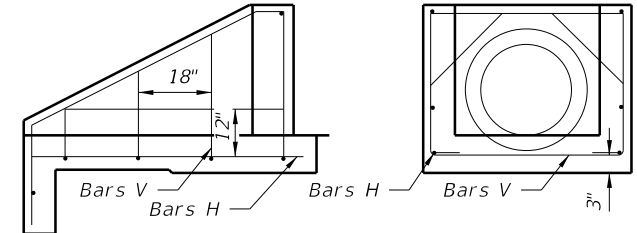


PLAN

DIMENSIONAL DETAILS



ALL PIPE SIZES  
SIDE VIEW AND BACKWALL SECTION  
REINFORCING DETAIL



ALL PIPE SIZES  
SIDE VIEW AND BACKWALL SECTION  
REINFORCING DETAIL

**GENERAL NOTES**

- Baffles to be constructed only when called for in plans.
- When steel grating is required on endwall see Sheet 3 of 3 for details.
- All reinforcing No. 4 bars with 2" clearance except as noted.
- All angles, channels and bars shall be ASTM A242/A242M, A572/A572M or A588/A588M Grade 50 steel. When designated Alternate G in the plans galvanize in accordance with Section 975 and 425-3.2 of the Standard Specifications.
- Channel section C 3x6 may be substituted for C 4x5.4 channel.
- Precasting of this endwall will be permitted. Precast units shall conform to the dimensions shown or in accordance with approved shop drawings. Request for shop drawing approval shall be directed to the State Drainage Engineer. Use Index No. 201 for opening and grouting details.
- Concrete shall be Class I, except ASTM C478 (4000 psi) concrete may be substituted for precast items manufactured in plants meeting the requirements of Section 449 of the Specifications.
- Sodding shall be in accordance with Index No. 281, and paid for under the contract unit price for Performance Turf, SY.
- Endwall to be paid for under the contract unit price for U-Endwall, Each. Payment shall include cost of concrete, reinforcing steel, and when called for in the plans, steel grating, baffles and accessories. Quantities shown are for estimating purposes only.

DIMENSIONS AND QUANTITIES FOR ONE U-ENDWALL														
Pipe Size		L	H	W	S	B	C	X Baffle			Y Baffle Reinf. Steel		Class I Conc. Cu. Yd.	Reinf. Steel Lbs.
D	Area Sq. Ft.							P	Q	R	Bar M	Bar N		
15"	1.23	5'-9"	2'-3½"	3'-7"	2'-3"	1'-3"	2'-3"	4"	4"	4"	2 #4	1 #4	1.61	72
18"	1.77	6'-6"	2'-5"	3'-10"	2'-6"	1'-6"	2'-6"	4"	4"	5"	3 #4	2 #4	1.89	86
24"	3.14	8'-0"	2'-8"	4'-4"	3'-0"	2'-0"	3'-0"	5"	5"	6"	4 #4	3 #4	2.52	108
30"	4.91	9'-6"	2'-11"	4'-10"	3'-6"	2'-6"	3'-6"	5"	5"	7"	4 #4	4 #4	3.34	131

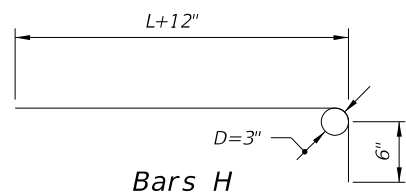
WITH BAFFLES

DIMENSIONS AND QUANTITIES FOR ONE U-ENDWALL						
Pipe Size		L	H	W	Class I Conc. Cu. Yd.	Reinf. Steel Lbs.
D	Area Sq. Ft.					
15"	1.23	3'-3"	1'-7½"	3'-7"	0.89	39
18"	1.77	3'-9"	1'-10½"	3'-10"	1.05	43
24"	3.14	4'-9"	2'-4½"	4'-4"	1.40	55
30"	4.91	5'-9"	2'-10½"	4'-10"	1.88	64

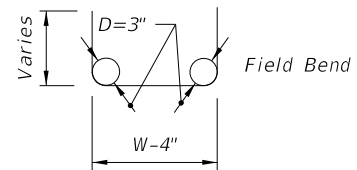
WITHOUT BAFFLES

**ENDWALLS FOR 1:2 SLOPES**

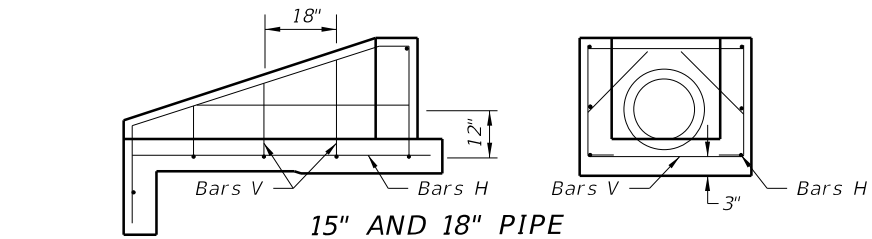
C:\projects\standards\roadway\0200-s\02061-02.dgn  
 smg70re  
 3:20:25 PM  
 6/24/2013



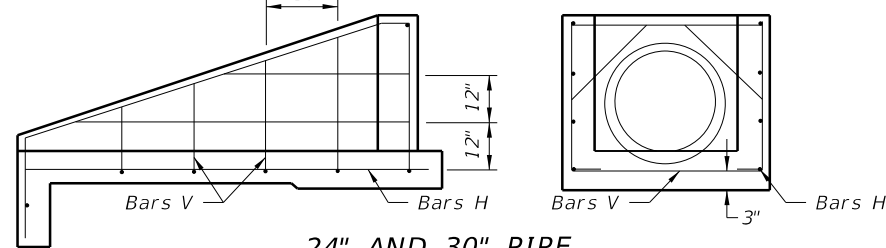
Bars H



Bars V  
BENDING DIAGRAM

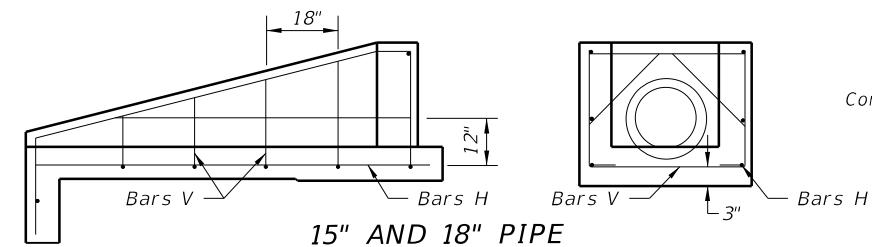


15" AND 18" PIPE



24" AND 30" PIPE

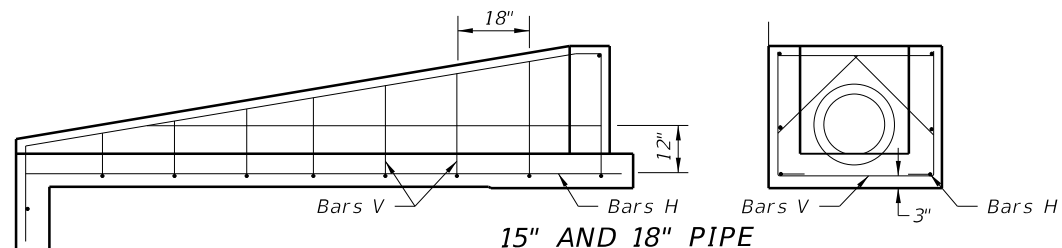
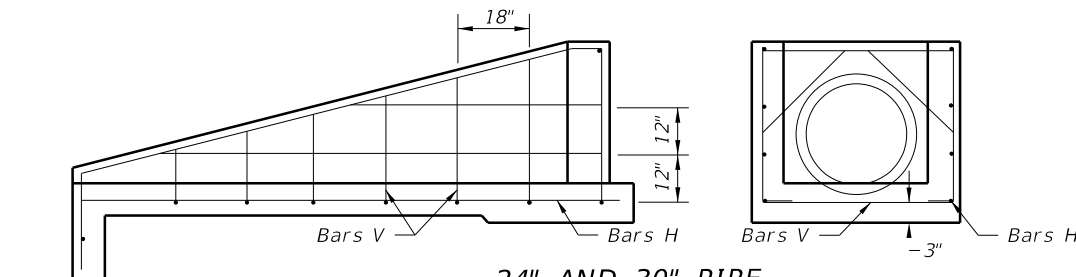
1:3 SLOPES



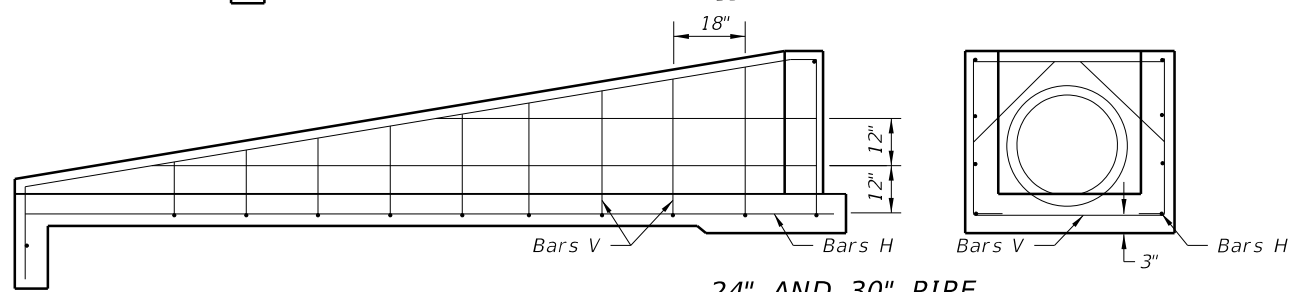
15" AND 18" PIPE

24" AND 30" PIPE

1:4 SLOPES



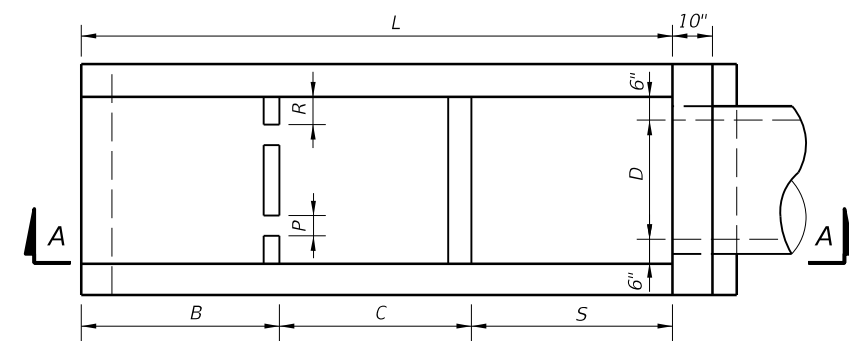
15" AND 18" PIPE



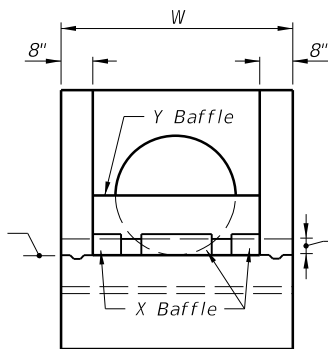
24" AND 30" PIPE

1:6 SLOPES

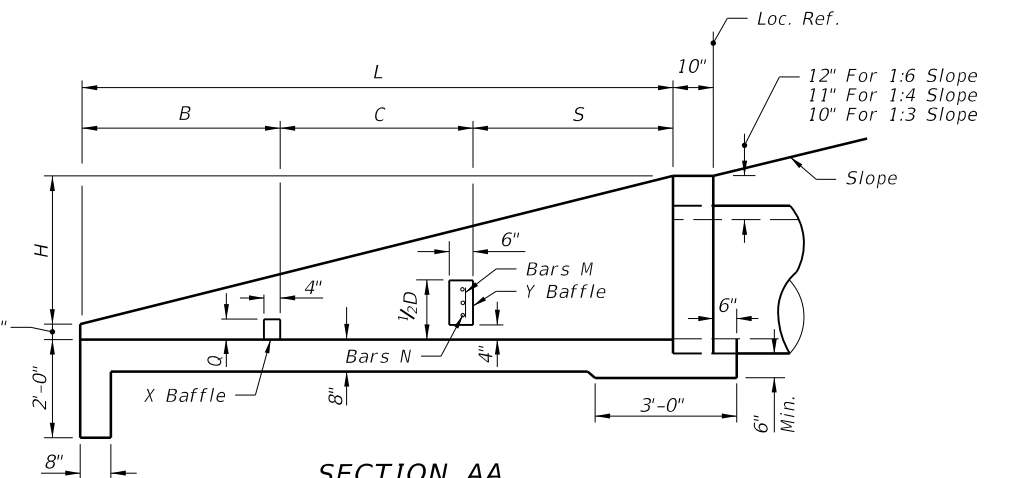
SIDE VIEWS AND BACKWALL SECTIONS  
REINFORCING DETAILS



PLAN



END VIEW



SECTION AA

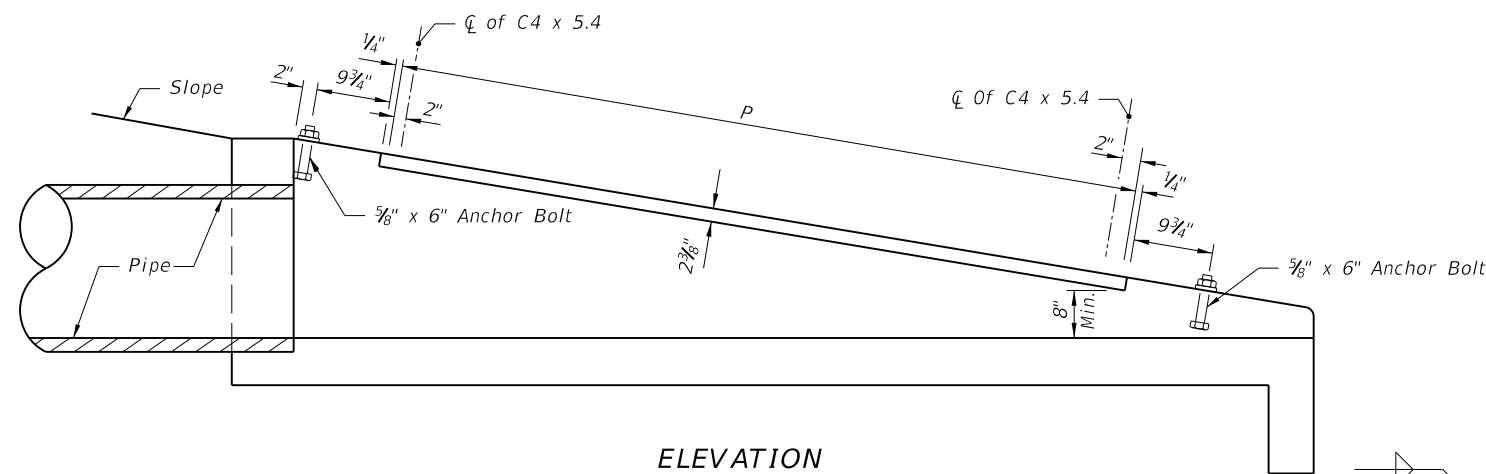
DIMENSIONAL DETAILS

DIMENSIONS AND QUANTITIES FOR BAFFLES							
Pipe Size D	X Baffle			Ybaffle Reinf. Steel		Class I Concrete Cu. Yd.	Reinf. Steel Lbs
	P Width	Q Height	R Length	Bar M	Bar N		
15"	4"	4"	4"	2- #4	1- #4	0.10	4
18"	4"	4"	5"	3- #4	2- #4		8
24"	5"	5"	6"	4- #4	3- #4		12
30"	5"	5"	7"	4- #4	4- #4		16

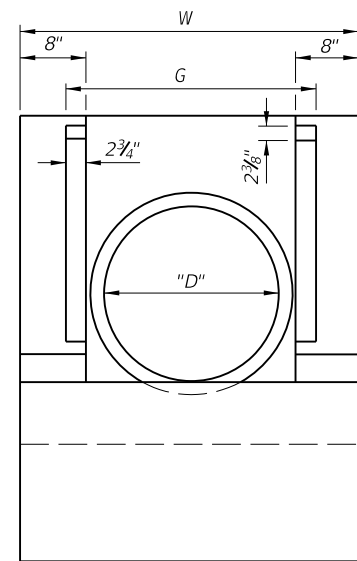
DIMENSIONS AND QUANTITIES FOR ONE U-ENDWALL										
Rate Of Slope	Pipe Size		L	H	W	Baffle Locations (When Required)			Class I Concrete Cu. Yd.	Reinf. Steel Lbs.
	D	Area (Sq. Ft.)				S	B	C		
1:3	15"	1.23	5'-3"	1'-9"	3'-7"	1'-9"	1'-9"	1'-9"	1.19	51
	18"	1.77	6'-0"	2'-0"	3'-10"	2'-0"	2'-0"	2'-0"	1.42	56
	24"	3.14	7'-6"	2'-6"	4'-4"	2'-6"	2'-6"	2'-6"	1.94	77
	30"	4.91	9'-0"	3'-0"	4'-10"	3'-0"	3'-0"	3'-0"	2.54	96
1:4	15"	1.23	7'-4"	1'-10"	3'-7"	2'-6"	2'-6"	2'-4"	1.54	64
	18"	1.77	8'-4"	2'-1"	3'-10"	2'-10"	2'-10"	2'-8"	1.84	71
	24"	3.14	10'-4"	2'-7"	4'-4"	3'-6"	3'-6"	3'-4"	2.53	92
	30"	4.91	12'-4"	3'-1"	4'-10"	4'-2"	4'-2"	4'-0"	3.34	124
1:6	15"	1.23	11'-6"	1'-11"	3'-7"	3'-10"	3'-10"	3'-10"	2.19	89
	18"	1.77	13'-0"	2'-2"	3'-10"	4'-4"	4'-4"	4'-4"	2.63	103
	24"	3.14	16'-0"	2'-8"	4'-4"	5'-4"	5'-4"	5'-4"	3.59	143
	30"	4.91	19'-0"	3'-2"	4'-10"	6'-4"	6'-4"	6'-4"	4.81	180

ENDWALLS WITH AND WITHOUT BAFFLES FOR 1:3, 1:4 AND 1:6 SLOPES

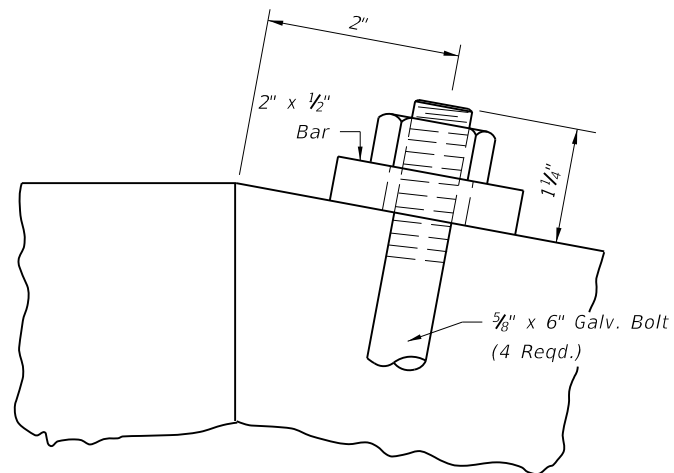




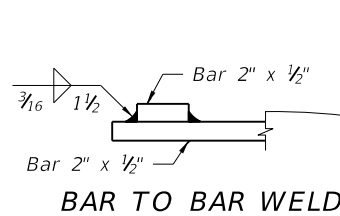
ELEVATION



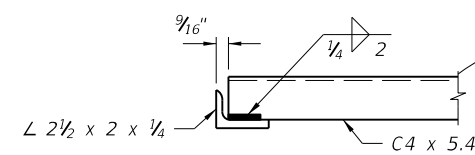
END VIEW



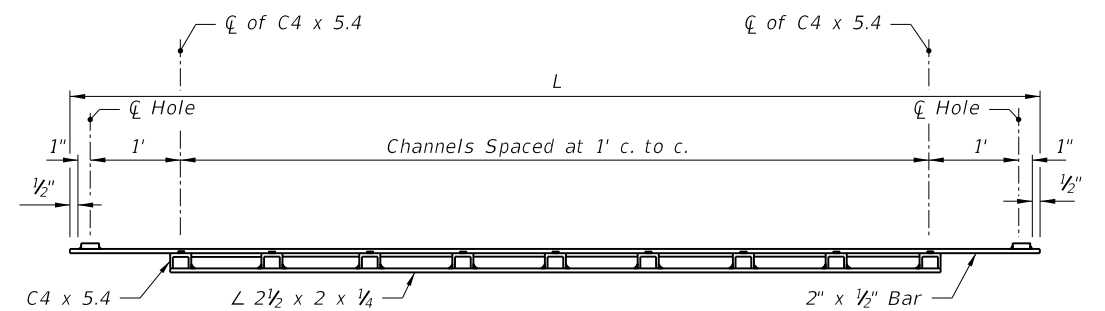
ANCHOR BOLT DETAIL



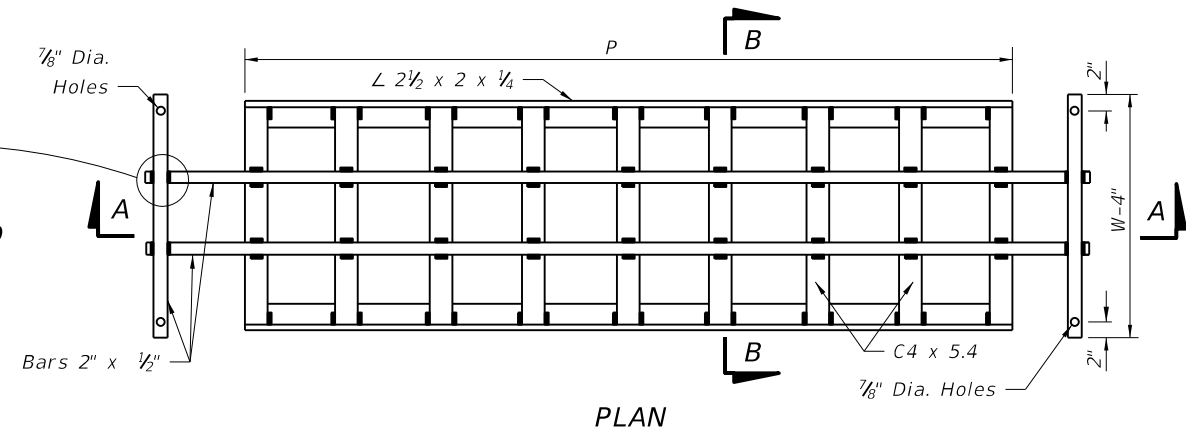
BAR TO BAR WELD



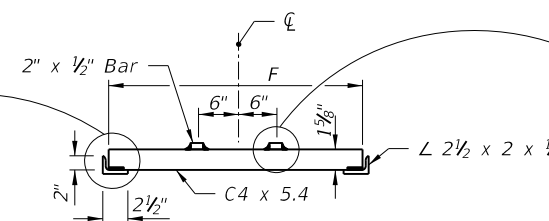
CHANNEL TO ANGLE WELD



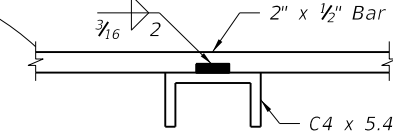
SECTION AA



PLAN



SECTION BB



BAR TO CHANNEL WELD

STEEL GRATE

MOUNTING FOR STEEL GRATE

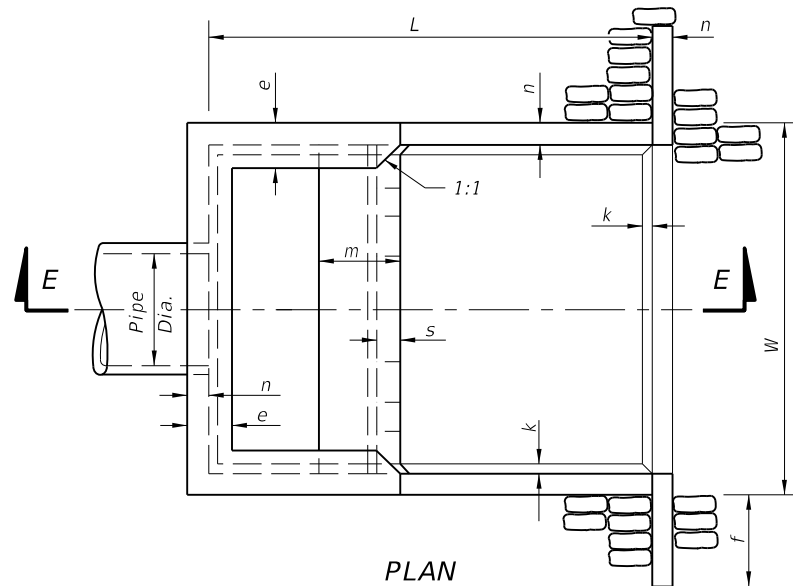
TABLE OF DIMENSIONS AND QUANTITIES FOR ONE GRATE											
Rate Of Slope	Size Pipe D	G	2 Each Bars @ 3.4 lb/ft			(X) Channels @ 5.4 lb/ft			2 Angles @ 3.62 lb/ft		Total Weight (lb)
			L	W-4"	lb	(X)	F	lb	P	lb	
1:6	15"	2' - 8 1/2"	9'-3"	3'-3"	85	8	2' - 6 7/8"	111	7'-4"	53	249
	18"	2' - 11 1/2"	10'-3"	3'-6"	94	9	3' - 9 7/8"	137	8'-4"	62	292
	24"	3' - 5 1/2"	13'-3"	4'-0"	117	12	3' - 3 7/8"	215	11'-4"	82	414
	30"	3' - 11 1/2"	16'-3"	4'-6"	141	15	3' - 9 7/8"	310	14'-4"	104	555
1:4	15"	2' - 8 1/2"	6'-3"	3'-3"	65	5	2' - 6 7/8"	70	4'-4"	32	167
	18"	2' - 11 1/2"	7'-3"	3'-6"	73	6	2' - 9 7/8"	92	5'-4"	39	204
	24"	3' - 5 1/2"	9'-3"	4'-0"	90	8	3' - 3 7/8"	144	7'-4"	53	287
	30"	3' - 11 1/2"	11'-3"	4'-6"	107	10	3' - 9 7/8"	206	9'-4"	68	381
1:3	15"	2' - 8 1/2"	4'-3"	3'-3"	51	3	2' - 6 7/8"	42	2'-4"	17	110
	18"	2' - 11 1/2"	5'-3"	3'-6"	60	4	2' - 9 7/8"	61	3'-4"	24	145
	24"	3' - 5 1/2"	6'-3"	4'-0"	70	5	3' - 3 7/8"	90	4'-4"	31	191
	30"	3' - 11 1/2"	8'-3"	4'-6"	87	7	3' - 9 7/8"	145	6'-4"	46	278

**STEEL GRATING USE CRITERIA**

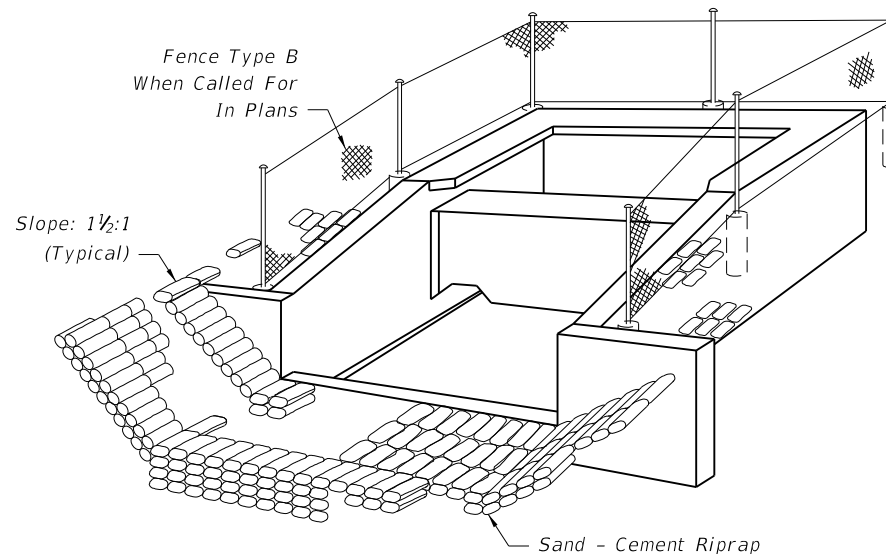
- Grates to be used on pipe culvert endwalls located within the designated clear zone. Positive debris control shall be provided at all upgradient openings. Grates shall not be used unless one or more of the following conditions exist:
  - Drainage area to culvert consists of median or infield areas or areas where debris and/or drift is negligible.
  - Runoff to culvert is by sheet flow or in such ill defined channels that debris transport is not considered a major problem.
  - Runoff to culvert is minor except on an infrequent basis (10 to 15 year frequency); for example a drainage basin in flat sandy terrain with normally low ground water table.
  - Areas where culvert blockage with resultant backwater would not seriously affect roadway embankment, traffic operation or upland property.
- Steel grating to be used only where called for in plans.

C:\projects\standards\roadway\00200-s\00261-03.dgn  
 sm970re  
 3:20:27 PM  
 6/24/2013

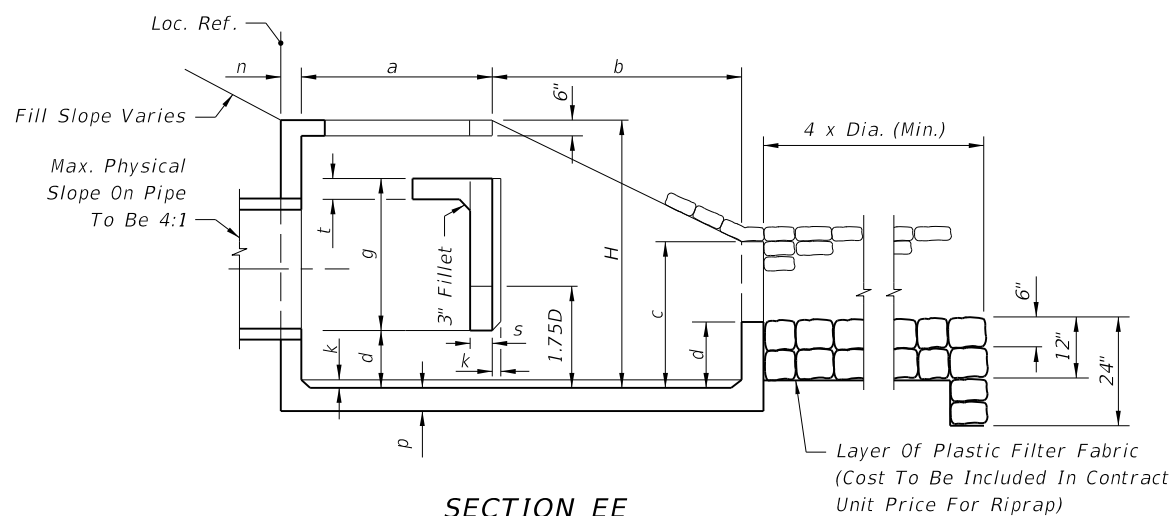
C:\projects\standards\roadway\0200-s\0264-01.dgn  
 smg70re  
 3:20:29 PM  
 6/24/2013



PLAN



PERSPECTIVE



SECTION EE

GENERAL NOTES

1. U-type concrete endwall energy dissipators are intended for use outside the clear zone.
2. Chamfer all exposed edges  $\frac{3}{4}$ ".
3. Concrete shall be Class I, except ASTM C478 (4000 psi) concrete may be substituted for precast items manufactured in plants meeting the requirements of Section 449 of the Specifications.
4. Reinforcing steel shall have 2" min. cover.
5. Endwall to be paid for under the contract unit price for Class I Concrete (Endwalls), CY and Reinforcing Steel (Roadway), LB. Riprap to be paid for under the contract unit price for Riprap (Sand-Cement) (Roadway), CY. Cost of plastic filter fabric to be included in the contract unit price for riprap.
6. Fencing, when called for in the plans, to be paid for under the contract unit price for Fencing, Type B, LF. See Index No. 802 for details of Type B fencing.

Pipe Size		Q (Max) (cfs)	Dimensions														Concrete Class I (CY)	Reinf. Steel (lb)	Sand-Cement Riprap (Nom.) (CY)		
Dia. (in)	Area (SF)		Feet - Inches										Inches								
			W	H	L	a	b	c	d	e	f	g	m	n	p	s				t	k
30	4.91	59	9-0	6-3	10-8	4-7	6-1	3-4	1-4	1-2	2-6	3-0	1-11	6	6 1/2	7	7	3	6.72	736	10.6
36	7.07	85	10-5	7-3	12-4	5-3	7-1	3-10	1-7	1-3	3-0	3-6	2-3	7	7 1/2	8	8	3	10.34	1,072	13.6
42	9.62	115	11-10	8-0	14-0	6-0	8-0	4-5	1-9	1-6	3-0	3-11	2-6	8	8 1/2	9	8	4	14.82	1,429	17.5
48	12.57	151	13-3	9-0	15-8	6-9	8-11	4-11	2-0	1-7	3-0	4-5	2-10	9	9 1/2	10	8	4	20.36	2,000	22.1
54	15.90	191	14-8	9-9	17-4	7-4	10-0	5-5	2-2	1-10	3-0	4-11	3-0	10	10 1/2	10	8	4	27.19	2,659	27.2
60	13.63	236	16-1	10-9	19-0	8-0	11-0	5-11	2-5	1-11	3-0	5-4	3-4	11	11 1/2	11	8	6	34.49	3,552	32.5
66	23.76	285	17-3	11-6	20-6	8-8	11-10	6-5	2-7	2-1	3-0	5-9	3-7	12	12 1/2	12	8	6	42.82	4,472	38.3
72	28.27	339	18-6	12-3	22-0	9-3	12-9	6-11	2-9	2-3	3-0	6-2	3-9	12	12 1/2	12	8	6	50.68	5,426	44.5

LAST REVISION  
07/01/09

REVISION

DESCRIPTION:



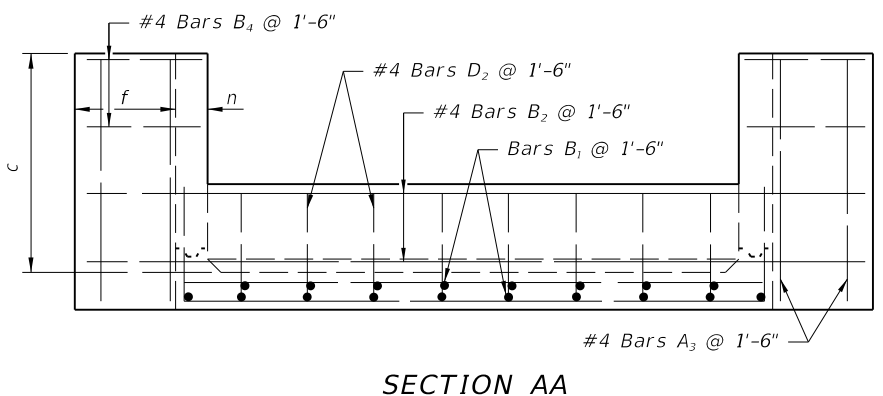
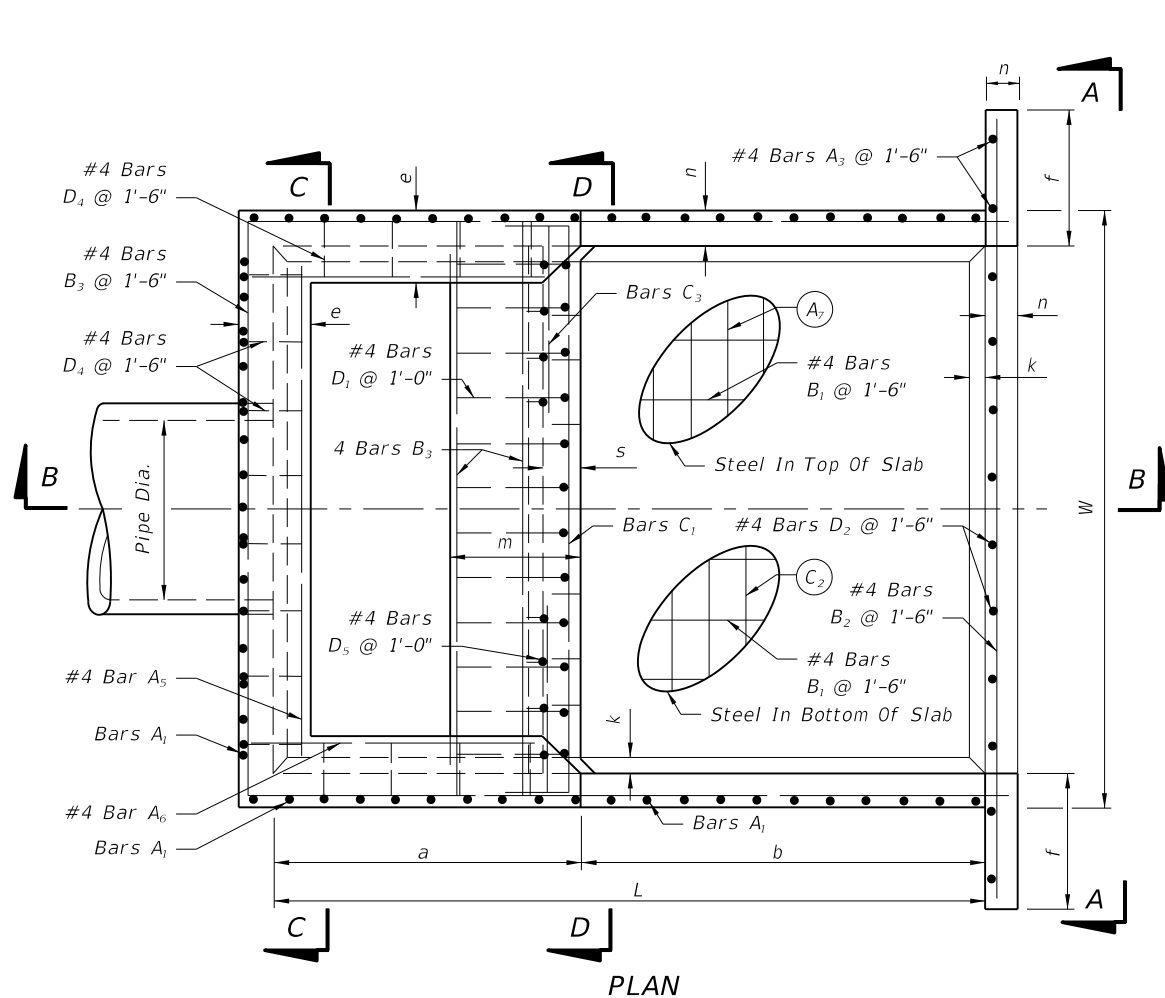
FDOT 2014  
DESIGN STANDARDS

U-TYPE CONCRETE ENDWALL  
ENERGY DISSIPATOR 30" TO 72" PIPE

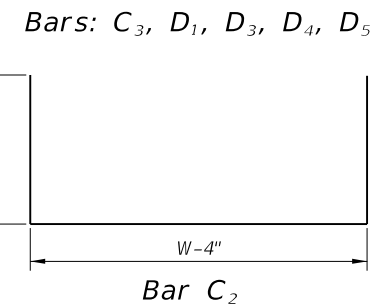
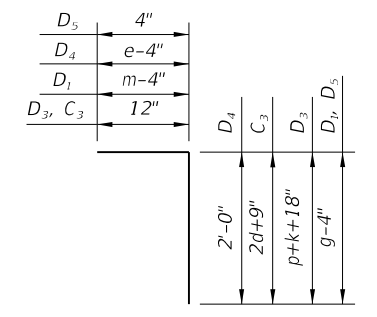
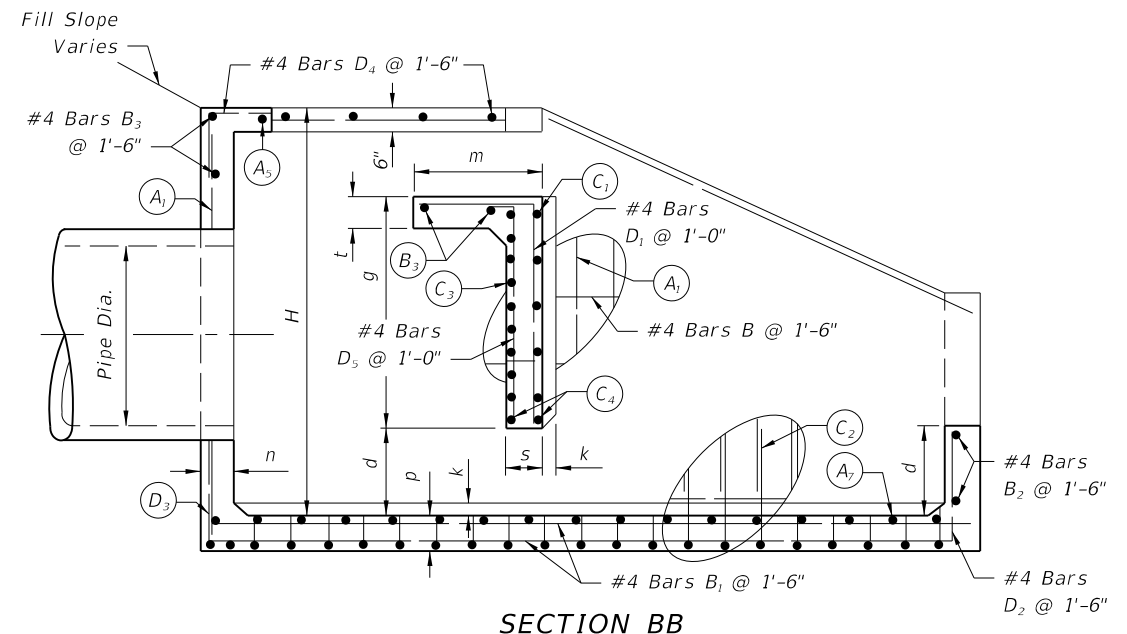
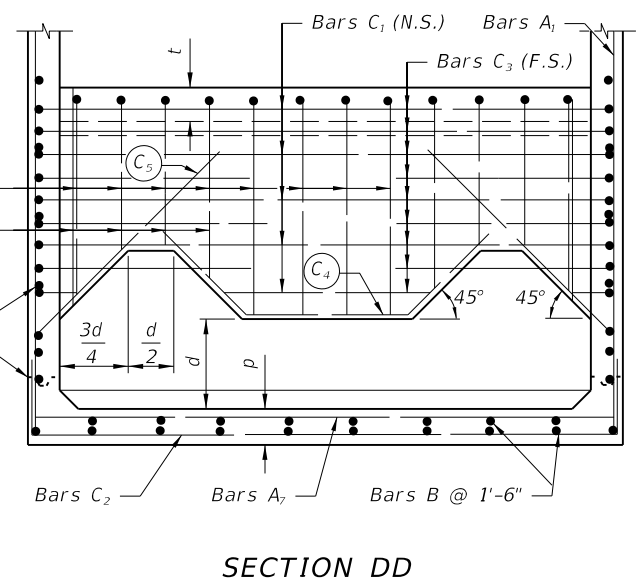
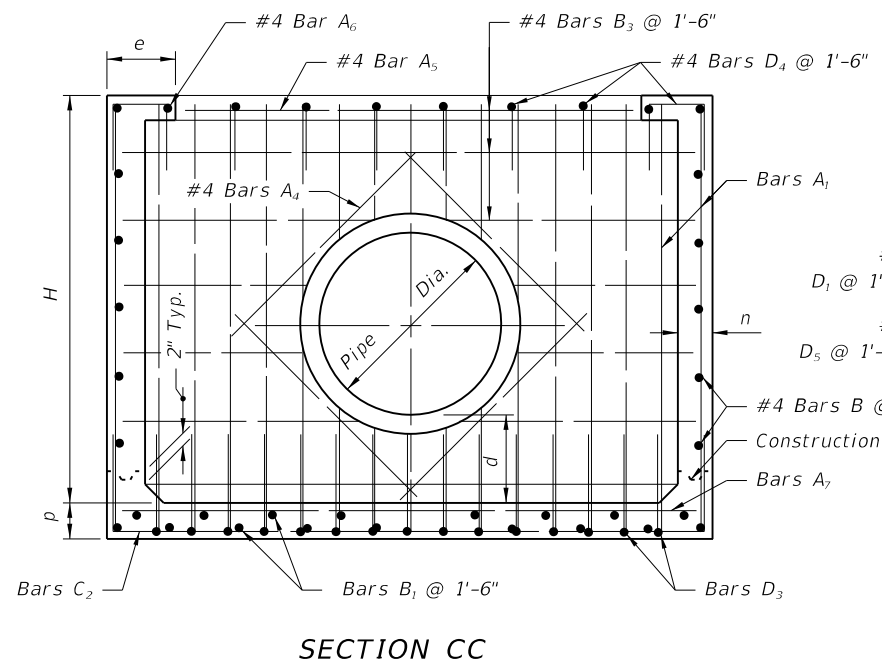
INDEX NO.  
264

SHEET NO.  
1 of 2

6/24/2013 3:20:31 PM sm970re C:\projects\standards\roadway\02200-s\00264-02.dgn



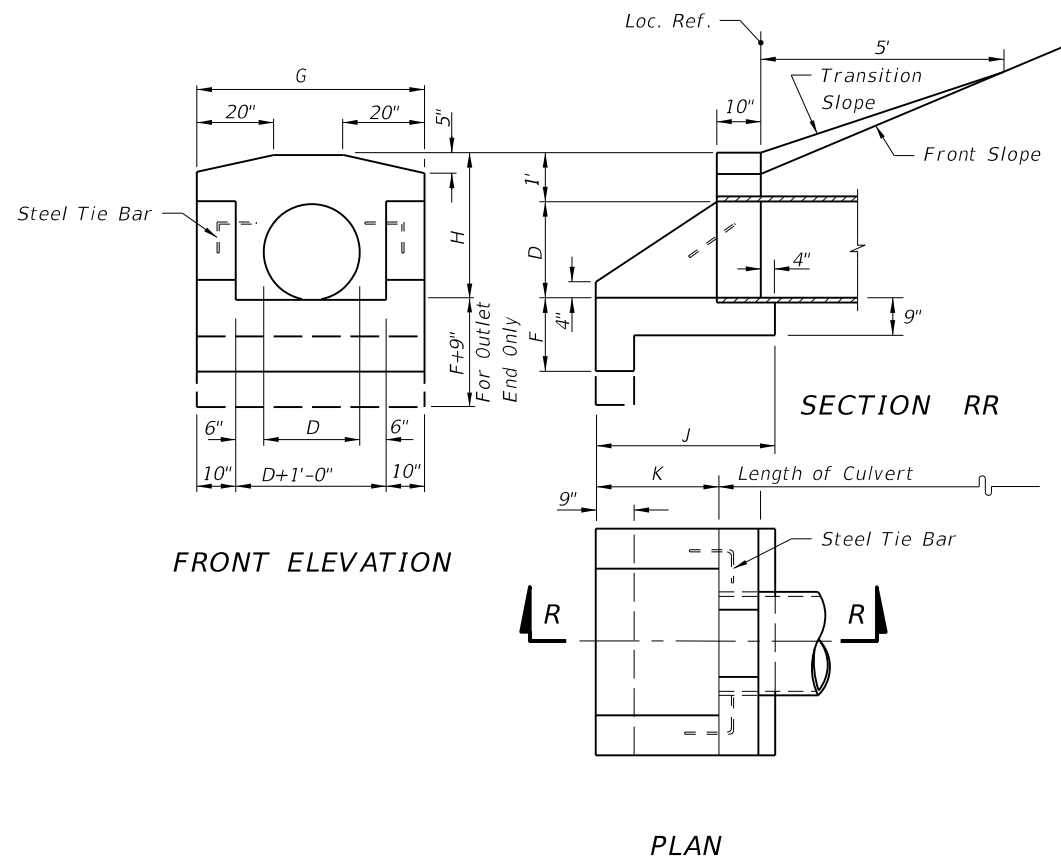
Note: Bars C<sub>4</sub> & C<sub>5</sub> (N.S. & F.S.) equivalent in size to C<sub>3</sub> (cut and bend as required)



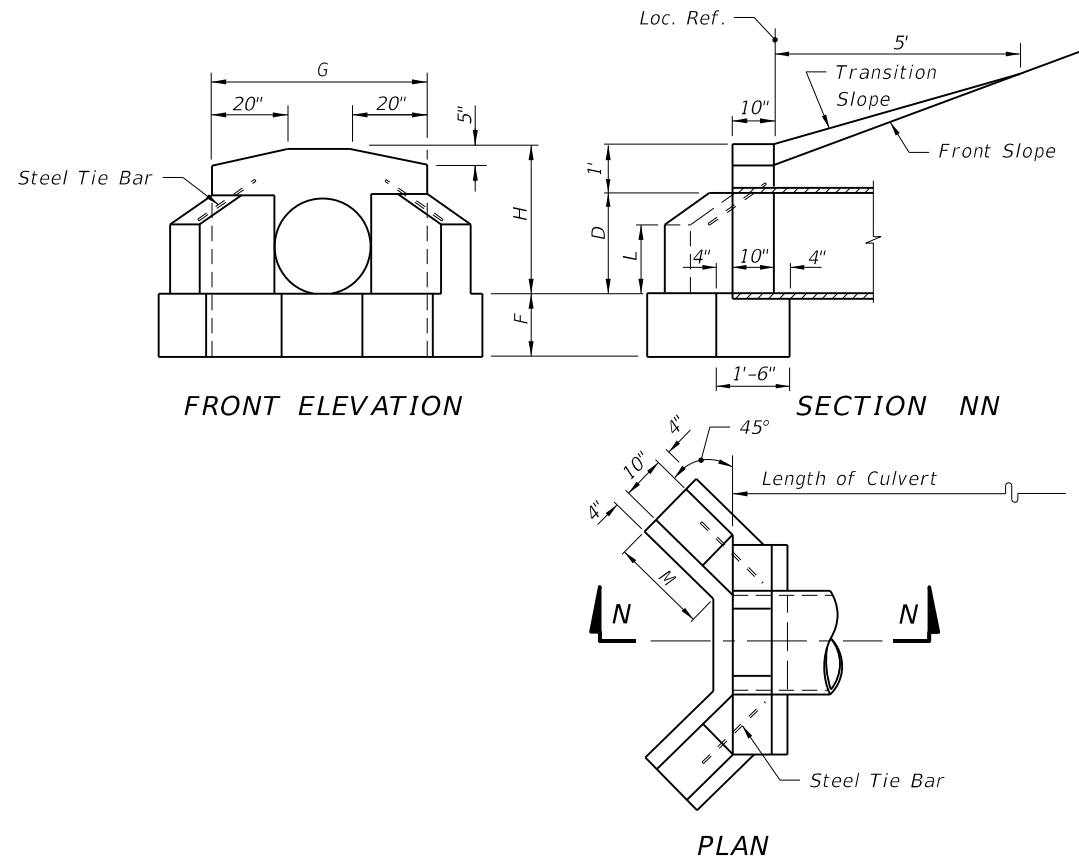
Note: All bar dimensions are out to out.

Pipe Size	A <sub>1</sub>		A <sub>7</sub>		C <sub>1</sub>		C <sub>2</sub>		C <sub>3</sub>		D <sub>3</sub>	
	Size (No.)	Spacing (Ft.-In.)	Size (No.)	Spacing (Ft.-In.)	Size (No.)	Spacing (Ft.-In.)	Size (No.)	Spacing (Ft.-In.)	Size (No.)	Spacing (Ft.-In.)	Size (No.)	Spacing (Ft.-In.)
30"	4	0-9½	4	1-6	5	0-11	4	0-9½	5	0-5½	4	0-9½
36"	5	1-0	4	1-6	5	0-10	5	1-0	5	0-5	5	1-0
42"	5	0-11	4	1-6	6	1-1	5	0-11	6	0-6½	5	0-11
48"	5	0-9½	4	1-0	6	1-0	5	0-9½	6	0-6	5	0-9½
54"	5	0-8½	4	0-10	7	1-1	5	0-8½	7	0-6½	5	0-8½
60"	6	0-10	5	1-1	7	1-0	6	0-10	7	0-6	6	0-10
66"	6	0-8½	5	0-11½	7	0-11	6	0-8½	7	0-5½	6	0-8½
72"	6	0-7½	5	0-10	7	0-10	6	0-7½	7	0-5	6	0-7½

Note: Bars A<sub>2</sub>, A<sub>3</sub>, A<sub>4</sub>, A<sub>5</sub>, A<sub>6</sub>, B<sub>1</sub>, B<sub>2</sub>, B<sub>3</sub>, B<sub>4</sub>, B are straight bars.



CONCRETE ENDWALL WITH U-TYPE WINGS FOR PIPE CULVERTS



CONCRETE ENDWALL WITH 45° WINGS FOR PIPE CULVERTS

TABLE OF DIMENSIONS AND ESTIMATED QUANTITIES  
PIPE CULVERT ENDWALLS WITH U-TYPE WINGS

DIMENSIONS							QUANTITIES IN ONE ENDWALL						
Opening		Wall			Footing		Concrete, Class I, Total (CY)						Steel Tie Bars
D	Area (ft <sup>2</sup> )	G	H	K	F	J	RCP		CMP		CIP		
							Inlet	Outlet	Inlet	Outlet	Inlet	Outlet	
12"	0.8	3'-8"	2'-0"	1'-0"	1'-3"	2'-2"	0.48	0.55	0.49	0.57	0.49	0.57	none
15"	1.2	3'-11"	2'-3"	1'-5"	1'-3"	2'-7"	0.59	0.67	0.62	0.70	0.61	0.70	none
18"	1.8	4'-2"	2'-6"	1'-9"	1'-3"	2'-11"	0.70	0.79	0.74	0.82	0.74	0.82	none
24"	3.1	4'-8"	3'-0"	2'-6"	1'-6"	3'-8"	1.01	1.11	1.06	1.16	1.06	1.16	2-#6 Bars x 2'-0"
30"	4.9	5'-2"	3'-6"	3'-3"	1'-6"	4'-5"	1.33	1.44	1.41	1.51	1.40	1.51	2-#6 Bars x 2'-0"
36"	7.1	5'-8"	4'-0"	4'-0"	1'-9"	5'-2"	1.73	1.85	1.84	1.96	1.82	1.94	2-#6 Bars x 2'-6"
42"	9.6	6'-2"	4'-6"	4'-9"	2'-0"	5'-11"	2.19	2.32	2.32	2.45			2-#6 Bars x 2'-6"
48"	12.6	6'-8"	5'-0"	5'-6"	2'-0"	6'-8"	2.64	2.78	2.81	2.95			2-#6 Bars x 3'-0"

TABLE OF DIMENSIONS AND ESTIMATED QUANTITIES  
PIPE CULVERT ENDWALLS WITH 45° WINGS

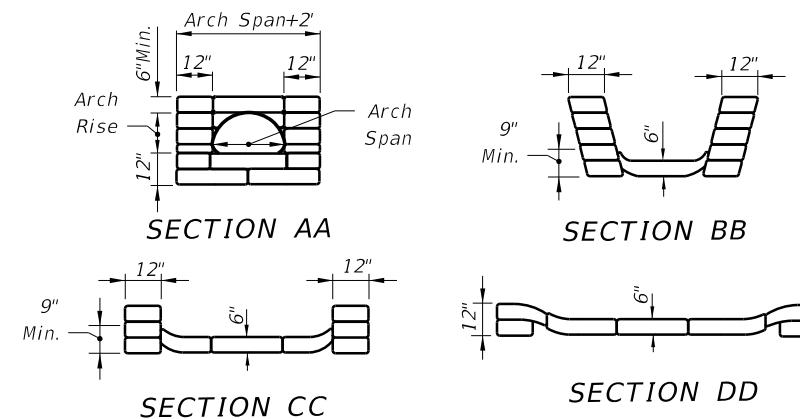
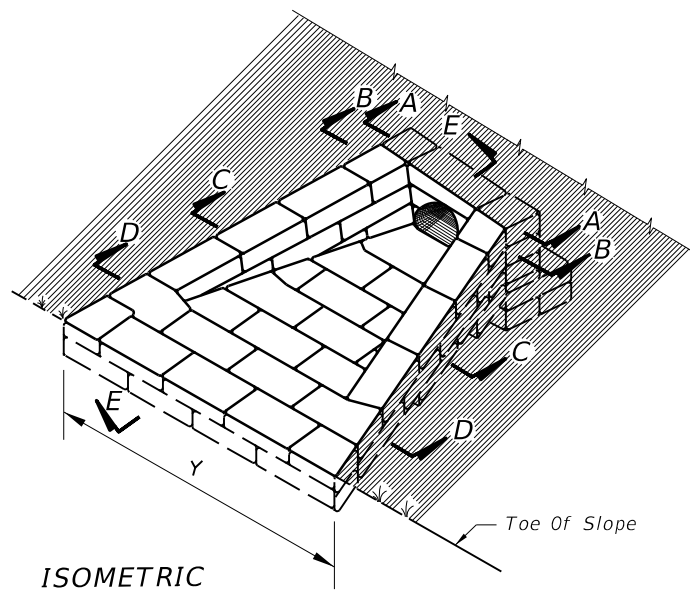
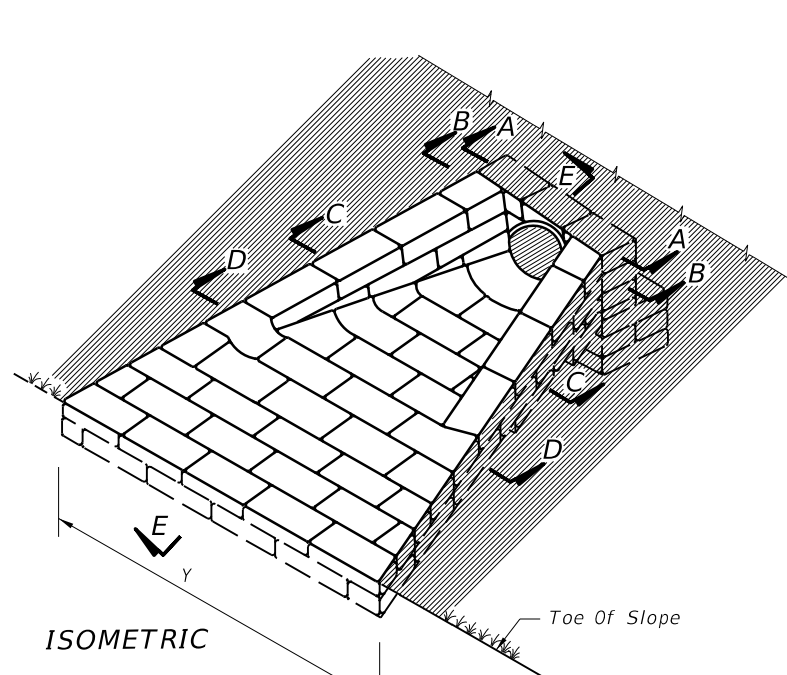
DIMENSIONS							QUANTITIES IN ONE ENDWALL				
Opening		Wall				Footing	Concrete, Class I			Steel Tie Bars	
D	Area (ft <sup>2</sup> )	H	G	L	M	F	Total (CY)				
							RCP	CMP	CIP		
15"	1.2	2'-3"	3'-7"	1'-0"	1'-3"	1'-3"	0.56	0.59	0.59	none	
18"	1.8	2'-6"	3'-10"	1'-2"	1'-7"	1'-3"	0.74	0.77	0.77	none	
24"	3.1	3'-0"	4'-4"	1'-5"	2'-1"	1'-4"	1.01	1.06	1.06	2-#6 Bars x 2'-0"	
30"	4.9	3'-6"	4'-10"	1'-9"	2'-5"	1'-6"	1.32	1.40	1.39	2-#6 Bars x 2'-0"	
36"	7.1	4'-0"	5'-4"	2'-0"	2'-11"	1'-8"	1.72	1.83	1.82	2-#6 Bars x 2'-6"	
42"	9.6	4'-6"	5'-10"	2'-3"	3'-6"	2'-0"	2.34	2.47		2-#6 Bars x 2'-6"	
48"	12.6	5'-0"	6'-4"	2'-6"	4'-0"	2'-0"	2.74	2.90		2-#6 Bars x 2'-6"	

GENERAL NOTES

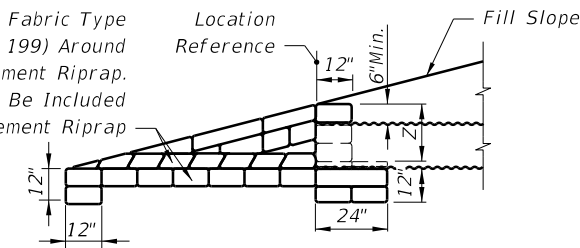
1. Winged concrete endwalls are intended for use outside the clear zone.
2. Chamfer all exposed edges 3/4".
3. Concrete shall be Class I, except ASTM C478 (4000 psi) Concrete may be substituted for precast items manufactured in plants meeting the requirements of Section 449 of the Specifications.
4. Endwall to be paid for under the contract unit price for Class I Concrete.
5. Sodding to be in accordance with Index No. 281, and paid for under the contract unit price for Performance Turf, SY.

6/24/2013 3:20:32 PM sm970re C:\projects\standards\roadway\00200-s\00266-01.dgn

6/24/2013 3:20:34 PM sm970re C:\p\projects\standards\roadway\00200-s\00268-01.dgn



Place Plastic Filter Fabric Type D-4 (See Index No. 199) Around And Below Sand-Cement Riprap. Cost Of Fabric To Be Included In Cost Of Sand-Cement Riprap



**GENERAL NOTES**  
1. U-Type Sand-Cement Endwalls Are Intended For Use Outside The Clear Zone.

**DETAILS FOR SINGLE METAL PIPE ARCH CULVERTS**

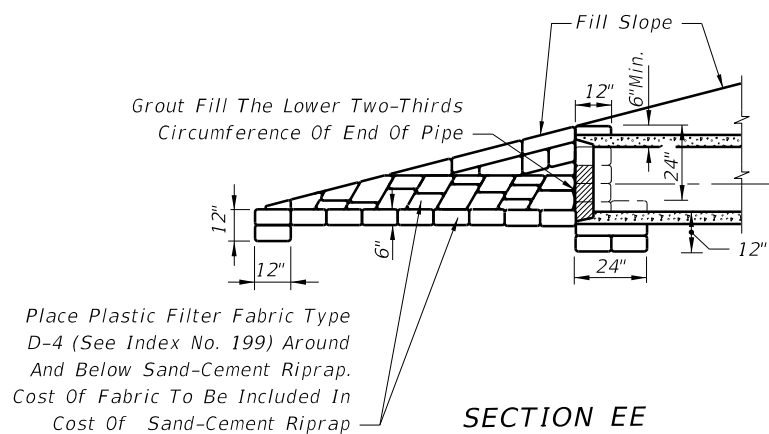
NOTE: For multiple metal pipe arch culvert spacing between arch centers=X

**DIMENSIONS AND QUANTITIES FOR METAL PIPE ARCH CULVERTS**

Span	Rise	Dimensions						Quantity Of Sand-Cement Riprap In Cu. Yds. For One Endwall							
		X	Y				Z	For 1:2 Slopes				For 1:4 Slopes			
			1-Arch	2-Arch	3-Arch	4-Arch		1-Arch	2-Arch	3-Arch	4-Arch	1-Arch	2-Arch	3-Arch	4-Arch
17"	13"	2'-6"	6'-6"	9'-0"	11'-6"	14'-0"	1'-7"	1.0	1.5	2.0	2.5	1.5	2.2	2.9	3.6
21"	15"	2'-10"	7'-6"	10'-4"	13'-2"	16'-0"	1'-9"	1.2	1.8	2.4	3.0	1.9	2.7	3.5	4.3
28"	20"	3'-5"	9'-3"	12'-8"	16'-1"	19'-6"	2'-0"	1.7	2.5	3.3	4.1	2.6	3.7	4.8	5.9
35"	24"	4'-0"	11'-0"	15'-0"	19'-0"	23'-0"	2'-0"	2.2	3.1	4.0	4.9	3.4	4.7	6.0	7.3
42"	29"	4'-9"	12'-9"	17'-6"	22'-3"	27'-0"	2'-0"	2.9	4.1	5.3	6.5	4.5	6.1	7.7	9.3
49"	33"	5'-6"	14'-6"	20'-0"	25'-6"	31'-0"	2'-0"	3.5	4.9	6.3	7.7	5.5	7.4	9.3	11.2
57"	38"	6'-4"	16'-6"	22'-10"	29'-2"	35'-6"	2'-0"	4.4	6.1	7.8	9.5	6.9	9.2	11.5	13.8
64"	43"	7'-1"	18'-3"	25'-4"	32'-5"	39'-6"	2'-0"	5.1	7.0	8.9	10.8	8.1	10.7	13.3	15.9
71"	47"	7'-10"	20'-0"	27'-10"	35'-8"	43'-6"	2'-0"	5.9	8.1	10.3	12.5	9.5	12.4	15.3	18.2

**DIMENSIONS AND QUANTITIES FOR ROUND PIPE CULVERTS**

Pipe Dia.	Dimensions				Quantity Of Sand-Cement Riprap In Cu. Yds. For One Endwall								
	X	Y			For 1:2 Slopes				For 1:4 Slopes				
		1-Pipe	2-Pipes	3-Pipes	4-Pipes	1-Pipe	2-Pipes	3-Pipes	4-Pipes	1-Pipe	2-Pipes	3-Pipes	4-Pipes
15"	2'-7"	7'-0"	9'-7"	12'-2"	14'-9"	1.2	1.6	2.1	2.6	1.7	2.4	3.0	3.6
18"	2'-10"	8'-0"	10'-10"	13'-8"	16'-6"	1.4	2.0	2.6	3.1	2.1	2.9	3.7	4.4
24"	3'-5"	10'-0"	13'-5"	16'-10"	20'-3"	1.9	2.7	3.5	4.3	2.9	4.0	5.1	6.3
30"	4'-3"	12'-0"	16'-3"	20'-6"	24'-9"	2.5	3.6	4.8	5.9	3.8	5.4	7.0	8.6
36"	5'-1"	14'-0"	19'-1"	24'-2"	29'-3"	3.1	4.6	6.2	7.7	4.8	7.0	9.2	11.4
42"	6'-0"	16'-0"	22'-0"	28'-0"	34'-0"	3.8	5.8	7.7	9.7	6.0	8.8	11.7	14.5
48"	6'-9"	18'-0"	24'-9"	31'-6"	38'-3"	4.5	7.0	9.4	11.8	7.2	10.8	14.3	17.9
54"	7'-8"	20'-0"	27'-8"	35'-4"	43'-0"	5.3	8.3	11.3	14.2	8.5	12.9	17.3	21.7
60"	8'-6"	22'-0"	30'-6"	39'-0"	47'-6"	6.2	9.7	13.3	16.9	10.0	15.3	20.6	25.9



Grout Fill The Lower Two-Thirds Circumference Of End Of Pipe

Place Plastic Filter Fabric Type D-4 (See Index No. 199) Around And Below Sand-Cement Riprap. Cost Of Fabric To Be Included In Cost Of Sand-Cement Riprap

**DETAIL FOR SINGLE PIPE CULVERT**

Note: For multiple pipe culvert spacing between pipe centers=X

LAST REVISION 07/01/00

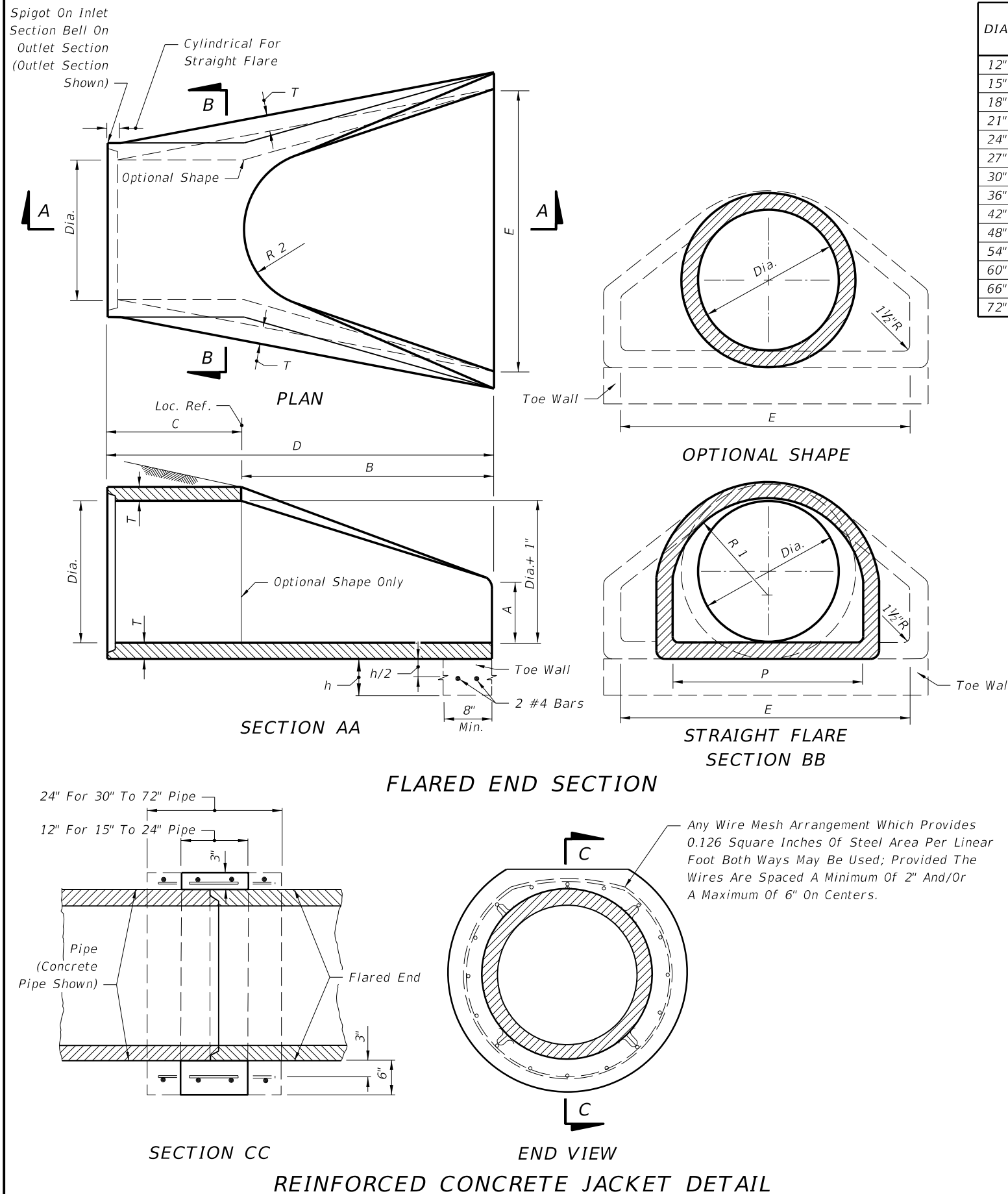
REVISION DESCRIPTION:

STATE OF FLORIDA  
DEPARTMENT OF TRANSPORTATION  
FDOT 2014 DESIGN STANDARDS

U-TYPE SAND-CEMENT ENDWALLS

INDEX NO. 268

SHEET NO. 1 of 1



DIA.	T	REINF. (in'/ft)	BELL Or Spigot	A	B	C	D	E	P	R 1	R 2	FLAT	WEIGHT (lb)	h	TOE WALL	
															CLASS I CONC	(CY)
12"	2"	0.07	1 1/2"	4"	2'-0"	4'-0 7/8"	6'-0 7/8"	2'-0"	19 1/16"	10 1/2"	9"	3 1/2"	530	12"	.06	
15"	2 1/4"	0.07	2"	6"	2'-3"	3'-10"	6'-1"	2'-6"	24 7/16"	12 1/2"	11"	3 1/2"	740	12"	.07	
18"	2 1/2"	0.07	2 1/2"	9"	2'-3"	3'-10"	6'-1"	3'-0"	29"	15 1/2"	12"	4"	990	15"	.11	
21"	2 3/4"	0.07	2 1/4"	9"	2'-11"	3'-2"	6'-1"	3'-6"	31 7/8"	16 1/8"	13"	4"	1280	15"	.12	
24"	3"	0.07	2 1/2"	9 1/2"	3'-7 1/2"	2'-6"	6'-1 1/2"	4'-0"	33 3/8"	16 1 3/16"	14"	4 1/2"	1520	18"	.17	
27"	3 1/4"	0.148	2 1/2"	10 1/2"	4'-0"	2'-1 1/2"	6'-1 1/2"	4'-6"	36"	18 9/16"	14 1/2"	4 1/2"	1930	18"	.19	
30"	3 1/2"	0.148	3"	1'-0"	4'-6"	1'-7 3/4"	6'-1 3/4"	5'-0"	37"	18 1/2"	15"	5"	2190	21"	.24	
36"	4"	0.148	3 1/2"	1'-3"	5'-3"	2'-10 3/4"	8'-1 3/4"	6'-0"	47 1 3/16"	24 3/8"	20"	5 1/2"	4100	21"	.29	
42"	4 1/2"	0.148	3 3/4"	1'-9"	5'-3"	2'-11"	8'-2"	6'-6"	53 7/8"	27 1/2"	22"	5 1/2"	5380	24"	.36	
48"	5"	0.148	4 1/4"	2'-0"	6'-0"	2'-2"	8'-2"	7'-0"	56 1/2"	28 1/2"	22"	5 3/4"	6550	24"	.39	
54"	5 1/2"	0.174	4 3/4"	2'-3"	5'-5"	2'-11"	8'-4"	7'-6"	65 1/2"	33 1/8"	24"	6 1/4"	8040	24"	.42	
60"	6"	0.174	5"	2'-6"	5'-0"	3'-3"	8'-3"	8'-0"	72 1/2"	36 1 1/16"	24"	6 3/4"	8750	24"	.44	
66"	6 1/2"	0.174	5 1/2"	2'-0"	6'-6"	1'-9"	8'-3"	8'-6"	72"	36 1/8"	24"	7 1/4"	10630	24"	.47	
72"	7"	0.174	6"	2'-0"	6'-6"	1'-9"	8'-3"	9'-0"	77 1 3/16"	38 1 5/16"	24"	7 3/4"	12520	24"	.50	

**GENERAL NOTES**

- Flared end sections shall conform to the requirements of ASTM C76 with the exception that dimensions and reinforcement shall be as prescribed in the table above. Circumferential reinforcement may consist of either one cage or two cages of steel. Compressive strength of concrete shall be 4000 psi. Shop drawings for flared end sections having dimensions other than above must be submitted for approval to the State Drainage Engineer.
- Connections between the flared end section and the pipe culvert may be any of the following types unless otherwise shown on the plans.
  - Joints meeting the requirements of Section 449 of the Standard Specifications (O-Ring Gasket). Flared end section joint dimensions and tolerances shall be identical or compatible to those used in the pipe culvert joint. When pipe culvert and flared end section manufacturers are different, the compatibility of joint designs shall be certified to by the manufacturer of the flared end sections.
  - Joints sealed with preformed plastic gaskets. The gaskets shall meet the requirements of Section 942-2 of the Standard Specifications and the minimum sizes for gaskets shall be as that specified for equivalent sizes of elliptical pipe.
  - Reinforced concrete jackets, as detailed on this drawing. Cost of the reinforced concrete jacket to be included in the contract unit price for the flared end section. When non-coated corrugated metal pipe is called for in the plans, the pipe shall be bituminous coated in the jacketed area as specified on Index No. 280. Bituminous coating to be included in the contract unit price for the pipe culvert. Concrete jacket shall be as specified on Index No. 280. Cost of concrete and reinforcement shall be included in the contract unit price for the pipe culvert.
- Toe walls shall be constructed when shown on the plans or at locations designated by the Engineer. Toe walls are to be cast-in-place with Class I Concrete and paid for under the contract unit price for Flared End Section (Concrete), EA. Reinforcing steel shall also be included in the cost of the Flared End Section (Concrete), EA.
- On skewed pipe culverts the flared end sections shall be placed in line with the pipe culvert. Side slopes shall be warped as required to fit the flared end sections.
- Flared End Section to be paid for under the contract unit price for Flared End Section (Concrete), EA. Sodding shall be in accordance with Index No. 281, and paid for under the contract unit price for Performance Turf, SY.

**DESIGN NOTES**

- Flared end sections are intended for use outside the clear zone on median drain and cross drain installation, except that flared end sections for pipe sizes 12" and 15" are permitted within the clear zone. When the slope intersection permits, 12" and 15" flared end sections may be located with the culvert opening as close as 8' beyond the outside edge of the shoulder. Flared end sections are not intended for side drain installations.
- Reinforced concrete jackets shall be used at all locations where high velocities and/or highly erosive soils may cause disjuncting. These locations are to be shown on the plans.
- Toe walls shall be used whenever the anticipated velocity of discharge and soil type are such that erosive action would occur. Toe walls are not required where ditch pavement is provided, except when disjuncting would occur if the ditch pavement should fail.

C:\projects\standards\roadway\0200-s\00270-01.dgn  
 smg70re  
 3:20:36 PM  
 6/24/2013

**DIMENSIONS AND QUANTITIES**

	D	X	A	B	C	E	F	G	H ■	M				N	5½" CONCRETE SLAB (CY) ▣				SODDING (SY)			
										Single	Double	Triple	Quad.		Single	Double	Triple	Quad.	Single	Double	Triple	Quad.
										Pipe	Pipe	Pipe	Pipe		Pipe	Pipe	Pipe	Pipe	Pipe	Pipe	Pipe	Pipe
1:2 Slope	15"	2'-7"	1.92'	2.18'	4.10'	2.06'	5'	1.22'	2.9'	4.63'	7.21'	9.79'	12.37'	1.19'	0.38	0.58	0.77	0.96	21	24	27	30
	18"	2'-10"	1.97'	2.74'	4.71'	2.56'	6'	1.41'	3.4'	4.92'	7.75'	10.58'	13.42'	1.21'	0.44	0.65	0.87	1.09	22	25	28	31
	24"	3'-5"	2.06'	3.85'	5.91'	3.56'	7'	1.73'	3.4'	5.50'	8.92'	12.33'	15.75'	1.25'	0.54	0.83	1.12	1.42	24	28	32	35
	30"	4'-3"	2.15'	4.95'	7.10'	4.56'	8'	2.00'	3.4'	6.08'	10.33'	14.58'	18.83'	1.29'	0.66	1.09	1.50	1.91	26	31	35	40
	36"	5'-1"	2.25'	6.08'	8.33'	5.56'	9'	2.24'	3.4'	6.67'	11.75'	16.83'	21.92'	1.33'	0.81	1.38	1.95	2.51	28	34	39	45
	42"	6'-0"	2.34'	7.21'	9.55'	6.56'	10'	2.45'	3.4'	7.25'	13.25'	19.25'	25.25'	1.38'	0.97	1.70	2.45	3.19	30	37	43	50
	48"	6'-9"	2.43'	8.33'	10.76'	7.56'	11'	2.65'	3.4'	7.83'	14.58'	21.33'	28.08'	1.42'	1.13	2.04	2.93	3.84	32	39	47	54
	54"	7'-8"	2.52'	9.44'	11.96'	8.56'	12'	2.83'	3.4'	8.42'	16.08'	23.75'	31.42'	1.46'	1.31	2.44	3.58	4.72	34	42	51	59
	60"	8'-6"	2.62'	10.56'	13.18'	9.56'	14'	3.00'	4.4'	9.00'	17.50'	26.00'	34.50'	1.50'	1.51	2.89	4.28	5.68	36	45	55	64
	66"	9'-2"	2.71'	11.68'	14.39'	10.56'	15'	3.18'	4.4'	9.58'	18.75'	27.92'	37.08'	1.54'	1.68	3.25	4.84	6.43	38	48	58	68
72"	10'-0"	2.80'	12.80'	15.60'	11.56'	16'	3.30'	4.4'	10.16'	20.16'	30.16'	40.16'	1.58'	1.89	3.74	5.59	7.45	40	51	62	73	
1:4 Slope	15"	2'-7"	2.27'	4.09'	6.36'	4.03'	8'	1.22'	4.0'	4.63'	7.21'	9.79'	12.37'	1.19'	0.57	0.87	1.15	1.44	23	26	29	32
	18"	2'-10"	2.36'	5.12'	7.48'	5.03'	9'	1.41'	4.0'	4.92'	7.75'	10.58'	13.42'	1.21'	0.66	0.99	1.31	1.65	25	28	31	35
	24"	3'-5"	2.53'	7.18' △	9.71'	7.03' △	11'	1.73'	4.0'	5.50'	8.92'	12.33'	15.75'	1.25'	0.85	1.30	1.75	2.20	28	32	36	40
	30"	4'-3"	2.70'	9.25'	11.95'	9.03'	13'	2.00'	4.0'	6.08'	10.33'	14.58'	18.83'	1.29'	1.10	1.74	2.39	3.05	31	36	41	46
	36"	5'-1"	2.87'	11.31' ◇	14.18'	11.03' ◇	15'	2.24'	4.0'	6.67'	11.75'	16.83'	21.92'	1.33'	1.32	2.21	3.08	3.96	34	40	46	52
	42"	6'-0"	3.05'	13.37'	16.42'	13.03'	17'	2.45'	4.0'	7.25'	13.25'	19.25'	25.25'	1.38'	1.58	2.76	3.91	5.09	38	44	51	58
	48"	6'-9"	3.22'	15.43'	18.65'	15.03'	19'	2.65'	4.0'	7.83'	14.58'	21.33'	28.08'	1.42'	1.85	3.30	4.73	6.17	41	48	56	63
	54"	7'-8"	3.39'	17.49'	20.88'	17.03'	21'	2.83'	4.0'	8.42'	16.08'	23.75'	31.42'	1.46'	2.14	3.95	5.77	7.58	44	52	61	69
	60"	8'-6"	3.56'	19.55'	23.11'	19.03'	23'	3.00'	4.0'	9.00'	17.50'	26.00'	34.50'	1.50'	2.45	4.66	6.87	9.07	47	56	66	75
	66"	9'-2"	3.73'	21.62'	25.35'	21.03'	25'	3.18'	4.0'	9.58'	18.75'	27.92'	37.08'	1.54'	2.88	5.54	8.18	10.84	49	59	69	80
72"	10'-0"	3.91'	23.68'	27.59'	23.03'	27'	3.30'	4.0'	10.16'	20.16'	30.16'	40.16'	1.58'	3.54	6.61	9.87	13.13	52	63	74	85	

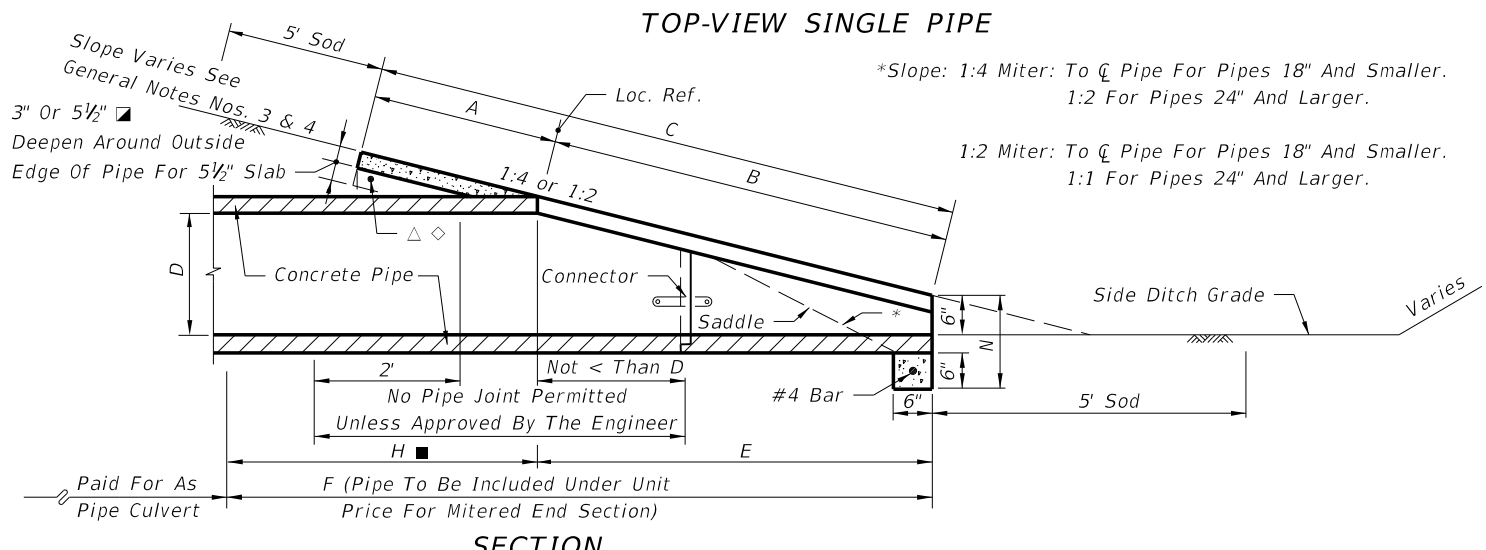
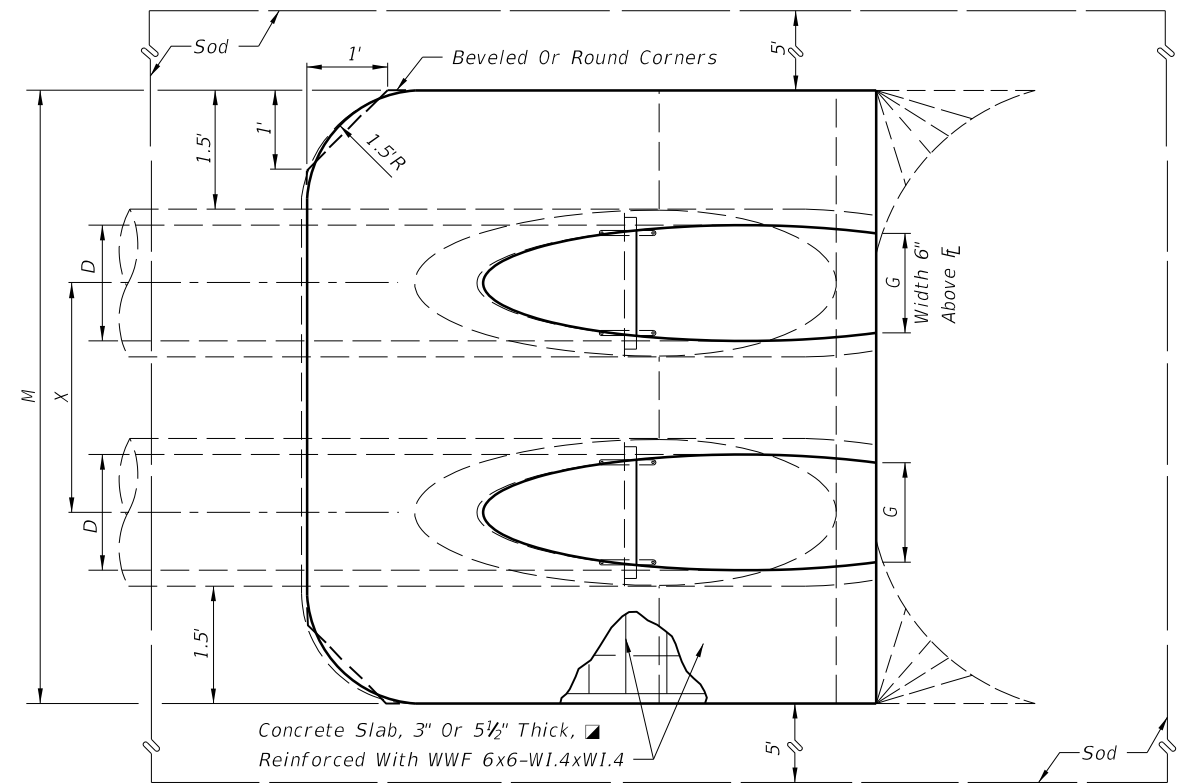
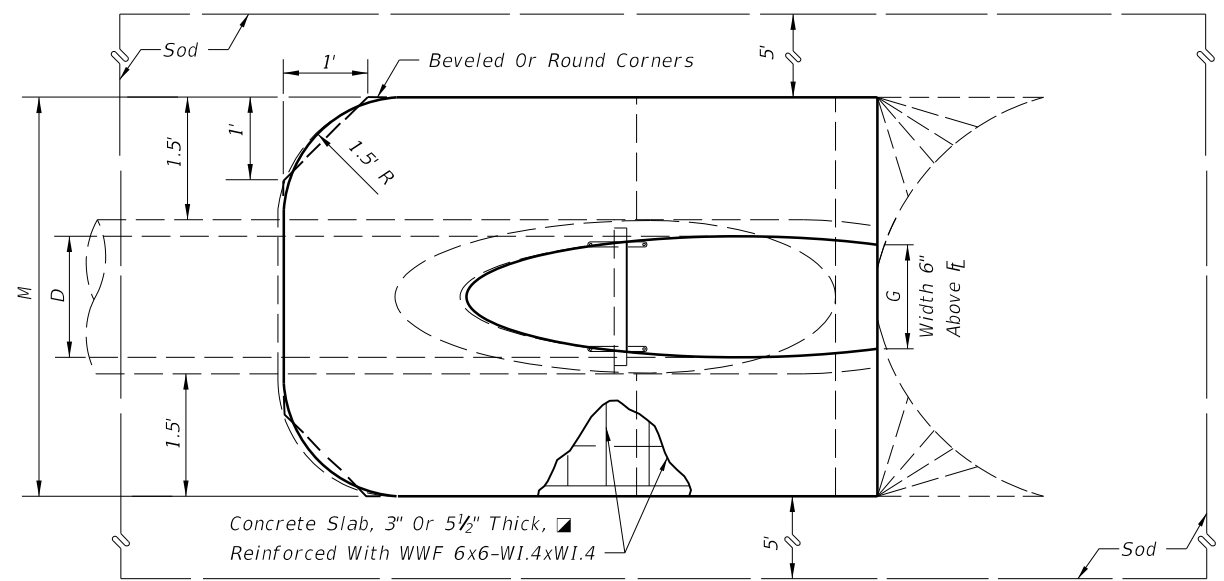
▣ See General Note No. 5.  
See Sheet 5 For 3" Slab Quantities

■ Values shown for estimating pipe quantities and are for information only.

△ 6.42'    △ 6.25'    Dimensions permitted to allow use of 8' standard pipe lengths.

◇ 10.40'    ◇ 10.10'    Dimensions permitted to allow use of 12' standard pipe lengths.


△ ◇ Concrete slab shall be deepened to form bridge across crown of pipe. See section below.



NOTE: See sheet 6 for details and notes.

**SINGLE AND MULTIPLE ROUND CONCRETE PIPE**

C:\projects\standards\roadway\00200-s\00272-01.dgn sm970re 3:20:45 PM 6/24/2013

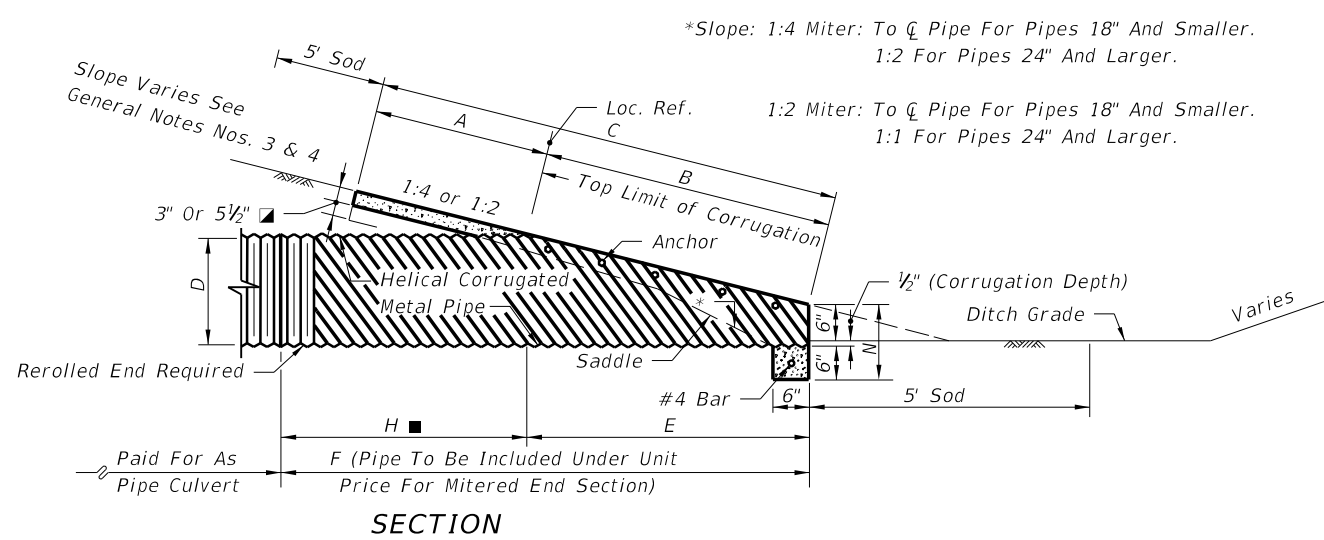
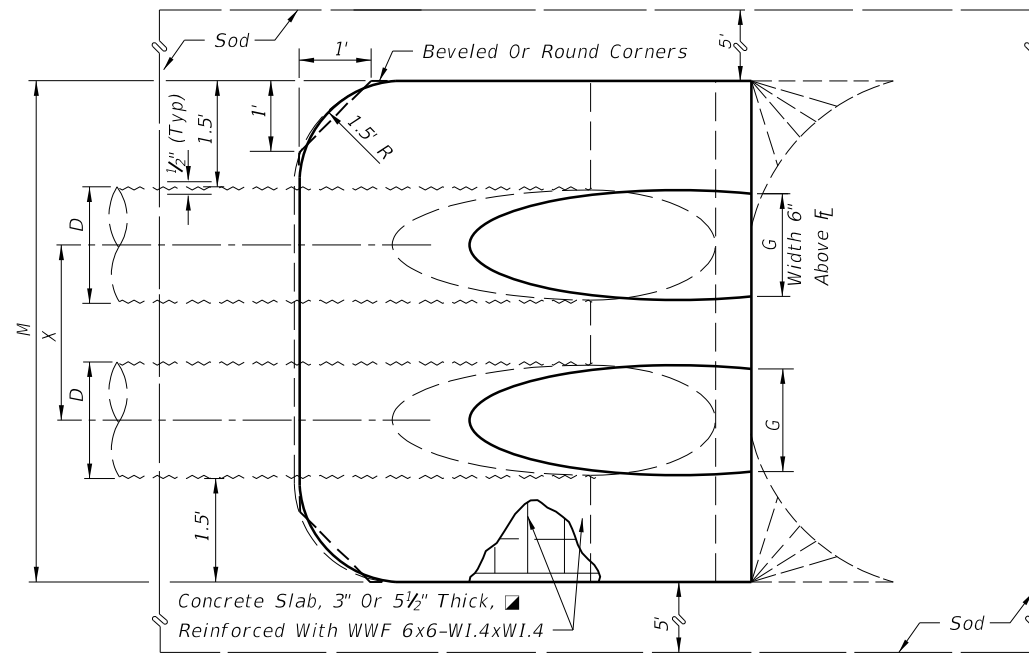
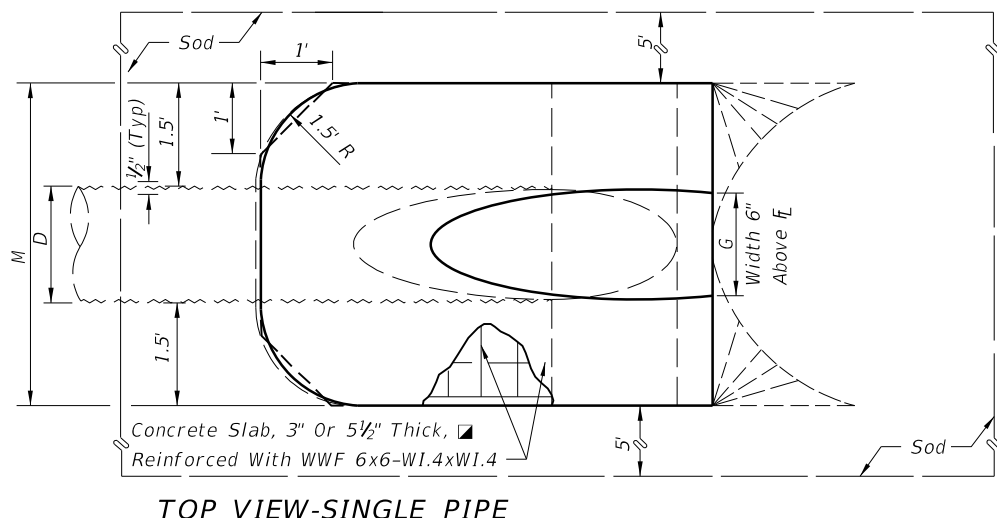
LAST REVISION 07/01/02	REVISION	DESCRIPTION:	 <b>FDOT 2014 DESIGN STANDARDS</b>	<b>CROSS DRAIN MITERED END SECTION</b>	INDEX NO. 272	SHEET NO. 1 of 6
---------------------------	----------	--------------	---	--	------------------	---------------------

**DIMENSIONS AND QUANTITIES**

	D	X	A	B	C	E	F	G	H ■	M				N	5½" CONCRETE SLAB (CY) ▣				SODDING (SY)			
										Single Pipe	Double Pipe	Triple Pipe	Quad. Pipe		Single Pipe	Double Pipe	Triple Pipe	Quad. Pipe	Single Pipe	Double Pipe	Triple Pipe	Quad. Pipe
1:2 Slope	15"	2'-7"	2.5'	1.68'	4.18'	1.5'	5.0'	1.23'	3.5'	4.33'	6.92'	9.50'	12.08'	1.04'	0.35	0.54	0.74	0.94	21	24	27	29
	18"	2'-10"	2.5'	2.24'	4.74'	2.0'	6.0'	1.41'	4'	4.58'	7.42'	10.25'	13.08'	1.04'	0.38	0.62	0.87	1.12	22	25	28	31
	24"	3'-5"	2.5'	3.35'	5.85'	3.0'	7.0'	1.73'	4'	5.08'	8.50'	11.92'	15.33'	1.04'	0.47	0.76	1.05	1.34	23	27	31	35
	30"	4'-3"	2.5'	4.47'	6.97'	4.0'	8.0'	2.00'	4'	5.58'	9.83'	14.08'	18.33'	1.04'	0.57	0.96	1.37	1.77	25	30	35	39
	36"	5'-1"	2.5'	5.59'	8.09'	5.0'	9.0'	2.24'	4'	6.08'	11.17'	16.25'	21.33'	1.04'	0.67	1.19	1.72	2.26	27	33	38	44
	42"	6'-0"	2.5'	6.71'	9.21'	6.0'	10.0'	2.45'	4'	6.58'	12.58'	18.58'	24.58'	1.04'	0.78	1.48	2.17	2.87	29	36	42	49
	48"	6'-9"	2.5'	7.83'	10.33'	7.0'	11.0'	2.65'	4'	7.08'	13.83'	20.58'	27.33'	1.04'	0.89	1.71	2.54	3.36	31	38	46	53
54"	7'-8"	2.5'	8.94'	11.44'	8.0'	12.0'	2.83'	4'	7.58'	15.25'	22.92'	30.58'	1.04'	1.02	2.06	3.10	4.14	33	41	50	58	
60"	8'-6"	2.5'	10.06'	12.56'	9.0'	13.0'	3.00'	4'	8.08'	16.58'	25.08'	33.58'	1.04'	1.14	2.38	3.63	4.89	34	44	53	63	
1:4 Slope	15"	2'-7"	2.5'	3.09'	5.59'	3.0'	7.0'	1.23'	4'	4.33'	6.92'	9.50'	12.08'	1.04'	0.44	0.68	0.91	1.15	22	25	28	31
	18"	2'-10"	2.5'	4.12'	6.62'	4.0'	8.0'	1.41'	4'	4.58'	7.42'	10.25'	13.08'	1.04'	0.49	0.77	1.03	1.31	24	27	30	33
	24"	3'-5"	2.5'	6.18'	8.68'	6.0'	10.0'	1.73'	4'	5.08'	8.50'	11.92'	15.33'	1.04'	0.65	1.09	1.38	1.77	27	30	34	38
	30"	4'-3"	2.5'	8.25'	10.75'	8.0'	12.0'	2.00'	4'	5.58'	9.83'	14.08'	18.33'	1.04'	0.81	1.34	1.90	2.44	29	34	39	44
	36"	5'-1"	2.5'	10.31'	12.81'	10.0'	14.0'	2.24'	4'	6.08'	11.17'	16.25'	21.33'	1.04'	0.97	1.68	2.41	3.14	32	38	44	49
	42"	6'-0"	2.5'	12.37'	14.87'	12.0'	16.0'	2.45'	4'	6.58'	12.58'	18.58'	24.58'	1.04'	1.13	2.08	3.06	4.02	35	42	48	55
	48"	6'-9"	2.5'	14.43'	16.93'	14.0'	18.0'	2.65'	4'	7.08'	13.83'	20.58'	27.33'	1.04'	1.29	2.49	3.69	4.88	38	46	53	60
54"	7'-8"	2.5'	16.49'	18.99'	16.0'	20.0'	2.83'	4'	7.58'	15.25'	22.92'	30.58'	1.04'	1.48	2.98	4.47	5.98	41	49	58	66	
60"	8'-6"	2.5'	18.55'	21.05'	18.0'	22.0'	3.00'	4'	8.08'	16.58'	25.08'	33.58'	1.04'	1.66	3.49	5.31	7.13	44	53	63	72	

▣ See General Note No. 5. See Sheet 5 For 3" Slab Quantities

■ Values shown for estimating pipe quantities and are for information only



**SINGLE AND MULTIPLE ROUND CORRUGATED METAL PIPE**

NOTE: See Sheet 6 For Details And Notes.

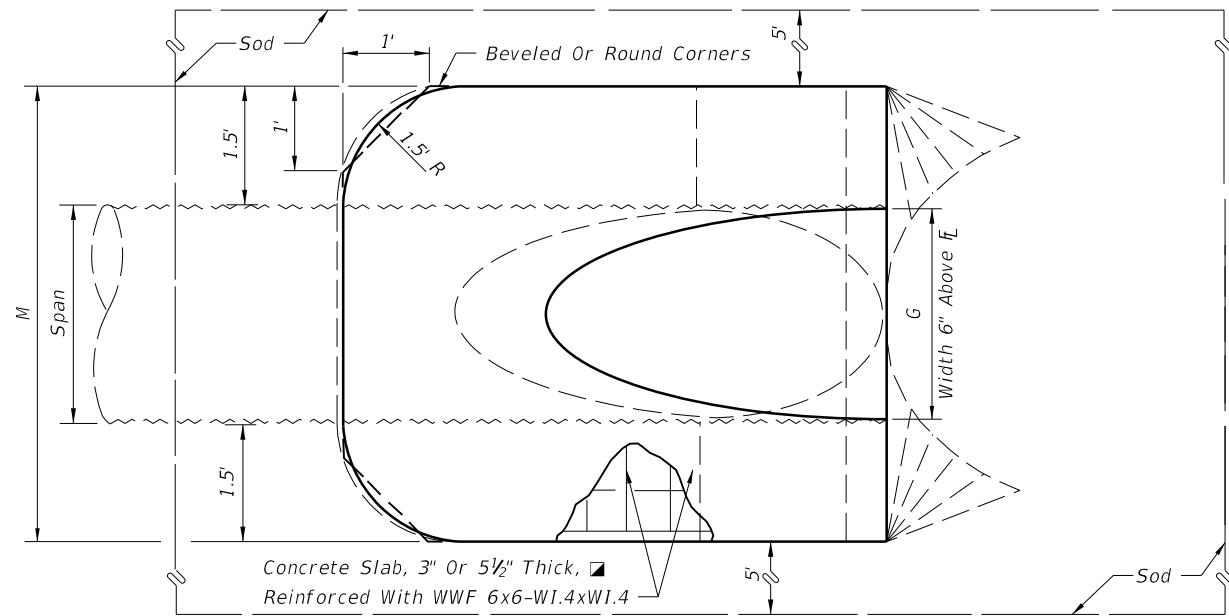
C:\projects\standards\roadway\02200-s\02272-02.dgn sm970re 3:20:47 PM 6/24/2013



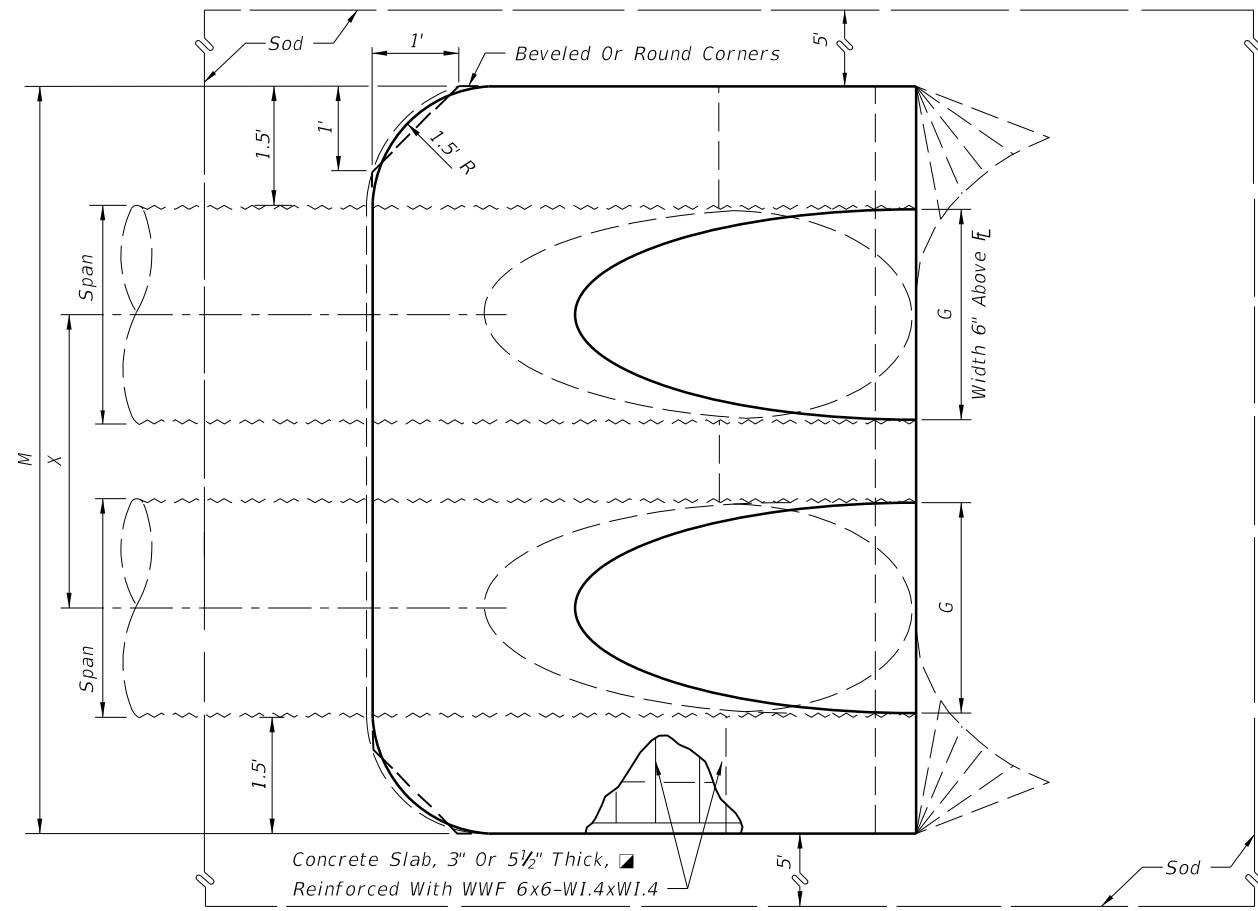
1974 AASHTO			DIMENSIONS AND QUANTITIES																				
SLOPE	SPAN	RISE	X	A	B	C	E	F	G	H ■	M				N	5 1/2" CONCRETE SLAB (CY) ▣				SODDING (SY)			
											Single Pipe	Double Pipe	Triple Pipe	Quad. Pipe		Single Pipe	Double Pipe	Triple Pipe	Quad. Pipe	Single Pipe	Double Pipe	Triple Pipe	Quad. Pipe
1:2 Slope	17"	13"	2'-6"	2.5'	1.30'	3.80'	1.17'	4'	1.39'	2.8'	4.50'	7.00'	9.50'	12.00'	1.04'	0.41	0.61	0.81	1.02	21	23	26	29
	21"	15"	2'-10"	2.5'	1.68'	4.17'	1.50'	5'	1.76'	3.5'	4.83'	7.67'	10.50'	13.33'	1.04'	0.43	0.66	0.88	1.10	22	25	28	31
	28"	20"	3'-5"	2.5'	2.61'	5.11'	2.33'	6'	2.22'	3.7'	5.42'	8.83'	12.25'	15.67'	1.04'	0.51	0.78	1.06	1.33	23	27	30	34
	35"	24"	4'-0"	2.5'	3.35'	5.85'	3.00'	7'	2.55'	4.0'	6.00'	10.00'	14.00'	18.00'	1.04'	0.57	0.90	1.22	1.55	24	29	33	38
	42"	29"	4'-9"	2.5'	4.29'	6.79'	3.83'	8'	2.97'	4.2'	6.58'	11.33'	16.08'	20.83'	1.04'	0.64	1.04	1.46	1.87	26	31	37	42
	49"	33"	5'-6"	2.5'	5.03'	7.53'	4.50'	9'	3.34'	4.5'	7.17'	12.67'	18.17'	23.67'	1.04'	0.73	1.23	1.72	2.22	28	34	40	46
	57"	38"	6'-4"	2.5'	5.96'	8.46'	5.33'	10'	3.65'	4.7'	7.83'	14.17'	20.50'	26.83'	1.04'	0.83	1.44	2.04	2.64	29	36	44	51
	64"	43"	7'-1"	2.5'	6.89'	9.39'	6.17'	11'	3.89'	4.8'	8.42'	15.50'	22.58'	29.67'	1.04'	0.95	1.67	2.39	3.11	31	39	47	55
1:4 Slope	17"	13"	2'-6"	2.5'	2.41'	4.91'	2.33'	7'	1.39'	4.7'	4.50'	7.00'	9.50'	12.00'	1.04'	0.48	0.71	0.95	1.18	22	25	27	30
	21"	15"	2'-10"	2.5'	3.09'	5.59'	3.00'	8'	1.76'	5.0'	4.83'	7.67'	10.50'	13.33'	1.04'	0.52	0.80	1.09	1.31	23	26	29	32
	28"	20"	3'-5"	2.5'	4.81'	7.31'	4.67'	9'	2.22'	4.3'	5.42'	8.83'	12.25'	15.67'	1.04'	0.61	0.92	1.27	1.59	25	29	33	37
	35"	24"	4'-0"	2.5'	6.18'	8.68'	6.00'	11'	2.55'	5.0'	6.00'	10.00'	14.00'	18.00'	1.04'	0.73	1.14	1.55	1.97	28	32	37	41
	42"	29"	4'-9"	2.5'	7.90'	10.40'	7.67'	12'	2.97'	4.3'	6.58'	11.33'	16.08'	20.83'	1.04'	0.87	1.39	1.92	2.45	30	35	41	46
	49"	33"	5'-6"	2.5'	9.28'	11.78'	9.00'	14'	3.34'	5.0'	7.17'	12.67'	18.17'	23.67'	1.04'	1.00	1.66	2.30	2.96	32	38	45	51
	57"	38"	6'-4"	2.5'	11.00'	13.50'	10.67'	16'	3.65'	5.3'	7.83'	14.17'	20.50'	26.83'	1.04'	1.18	2.00	2.82	3.64	35	42	49	56
	64"	43"	7'-1"	2.5'	12.71'	15.21'	12.33'	17'	3.89'	4.7'	8.42'	15.50'	22.58'	29.67'	1.04'	1.36	2.39	3.38	4.38	38	45	53	61
71"	47"	7'-10"	2.5'	14.09'	16.59'	13.67'	19'	4.14'	5.3'	9.00'	16.83'	24.67'	32.50'	1.04'	1.50	2.65	3.81	4.97	40	48	57	66	

▣ See General Note No. 5.  
See Sheet 5 For 3" Slab Quantities

■ Values shown for estimating pipe quantities and are for information.

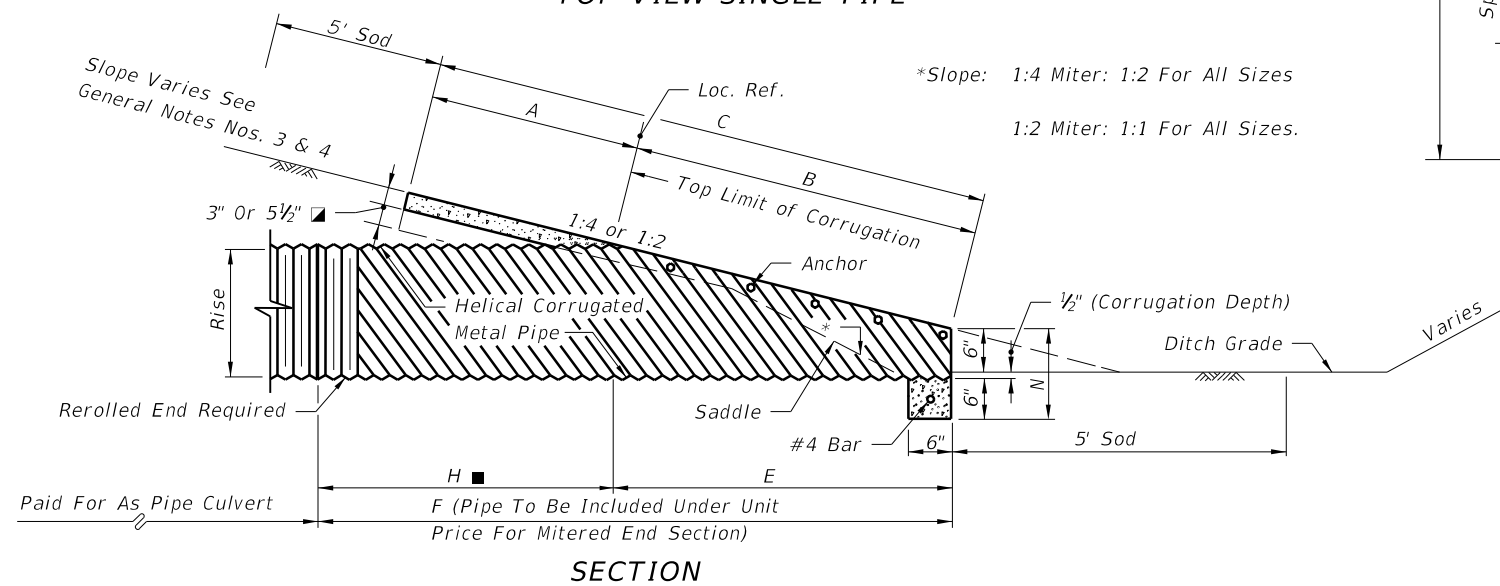


TOP VIEW-SINGLE PIPE



TOP VIEW-MULTIPLE PIPE


NOTE: See Sheet 6 For Details And Notes.



SECTION

SINGLE AND MULTIPLE CORRUGATED METAL PIPE-ARCH

C:\projects\standards\roadway\00200-s\00272-03.dgn  
sm970re  
3:20:49 PM  
6/24/2013

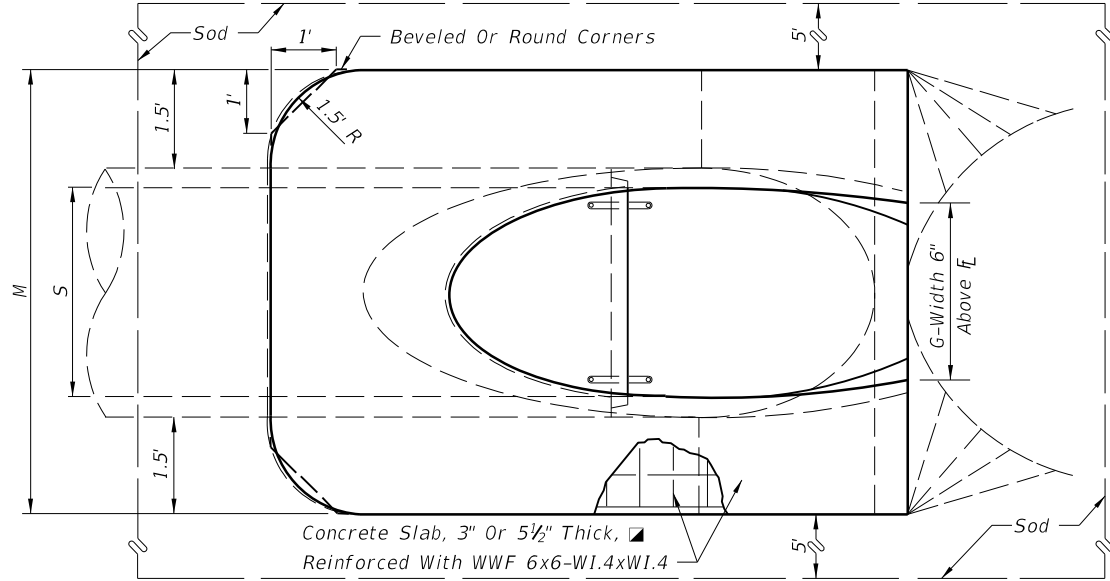
LAST REVISION 07/01/02	REVISION	DESCRIPTION:	 <p>FDOT 2014 DESIGN STANDARDS</p>	CROSS DRAIN MITERED END SECTION	INDEX NO. 272	SHEET NO. 3 of 6
---------------------------	----------	--------------	---	---------------------------------	------------------	---------------------

**DIMENSIONS & QUANTITIES**

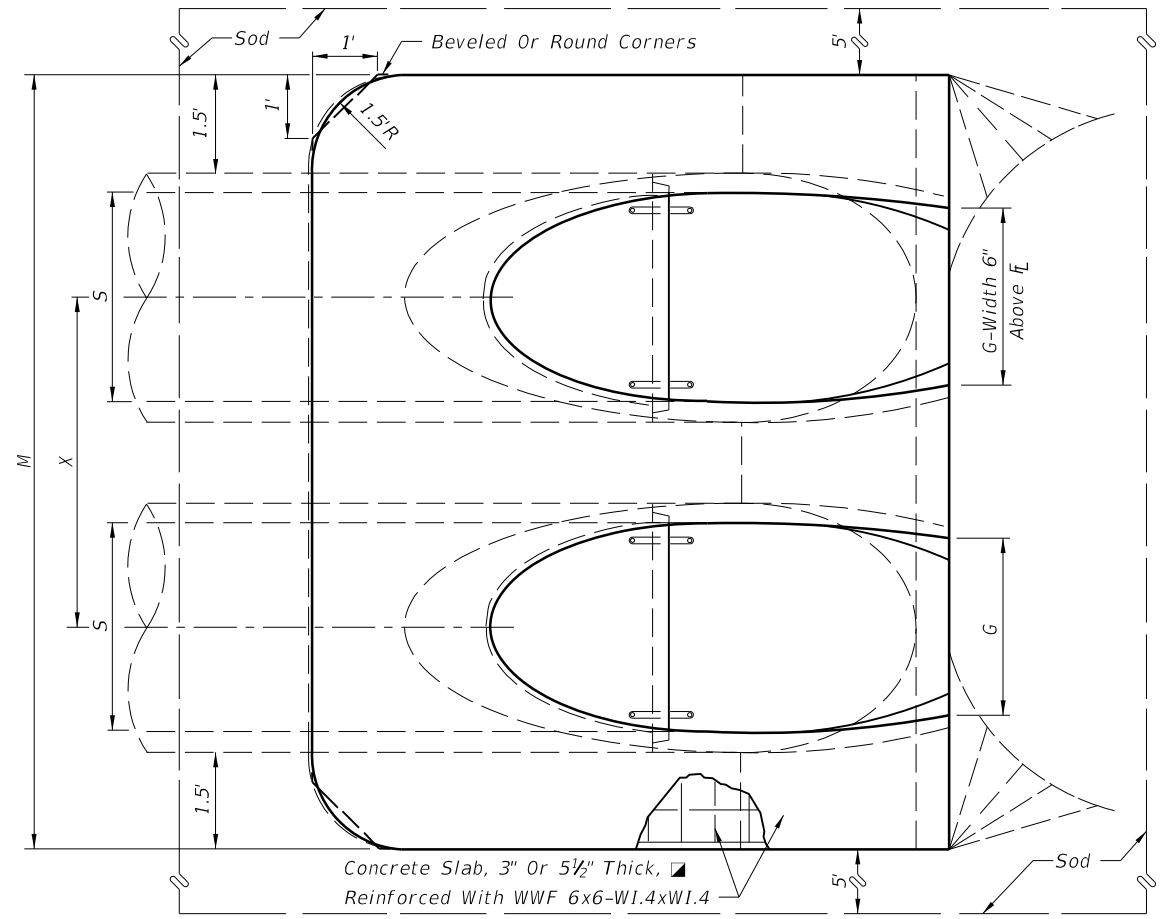
	Rise R	Span S	X	A	B	C	E	F	G	H	M				N	5 1/2" CONC. SLAB (CY) ▣				SODDING (SY)			
											Single Pipe	Double Pipe	Triple Pipe	Quad. Pipe		Single Pipe	Double Pipe	Triple Pipe	Quad. Pipe	Single Pipe	Double Pipe	Triple Pipe	Quad. Pipe
1:2 Slope	12"	18"	2'-10"	1.97'	1.62'	3.59'	1.56'	4'	1.50'	2.4'	4.92'	7.75'	10.58'	13.42'	1.21'	0.30	0.49	0.67	0.85	21	24	27	30
	14"	23"	3'-4"	2.01'	1.99'	4.00'	1.89'	5'	1.90'	3.1'	5.38'	8.71'	12.04'	15.38'	1.23'	0.37	0.59	1.02	22	26	29	33	
	19"	30"	4'-0"	2.11'	2.92'	5.03'	2.73'	6'	2.37'	3.3'	6.04'	10.04'	14.04'	18.04'	1.27'	0.50	0.80	1.09	24	28	33	37	
	24"	38"	5'-0"	2.20'	3.85'	6.05'	3.56'	7'	2.85'	3.4'	6.79'	11.79'	16.79'	21.79'	1.31'	0.62	1.03	1.45	26	31	37	42	
	29"	45"	5'-11"	2.34'	4.79'	7.13'	4.39'	8'	3.19'	3.6'	7.50'	13.42'	19.33'	25.25'	1.38'	0.75	1.30	1.84	28	34	41	47	
	34"	53"	7'-0"	2.43'	5.72'	8.15'	5.23'	9'	3.57'	3.8'	8.25'	15.25'	22.25'	29.25'	1.42'	0.90	1.61	2.32	30	37	45	53	
	38"	60"	7'-10"	2.52'	6.46'	8.98'	5.89'	9'	3.95'	3.1'	8.92'	16.75'	24.58'	32.42'	1.46'	1.03	1.89	2.74	31	40	49	57	
	43"	68"	8'-11"	2.62'	7.39'	10.01'	6.73'	10'	4.28'	3.3'	9.67'	18.58'	27.50'	36.42'	1.50'	1.19	2.26	3.33	33	43	53	63	
	48"	76"	9'-11"	2.71'	8.33'	11.04'	7.56'	11'	4.59'	3.4'	10.42'	20.33'	30.25'	40.17'	1.54'	1.38	2.65	3.93	35	46	57	68	
	53"	83"	10'-8"	2.80'	9.26'	12.06'	8.39'	12'	4.77'	3.6'	11.08'	21.75'	32.42'	43.08'	1.58'	1.55	3.03	4.50	37	49	61	73	
58"	91"	11'-8"	2.90'	10.19'	13.09'	9.23'	13'	5.01'	3.8'	11.83'	23.50'	35.17'	46.83'	1.63'	1.75	3.47	5.20	39	52	65	78		
1:4 Slope	12"	18"	2'-10"	2.36'	3.06'	5.42'	3.03'	5'	1.50'	2.0'	4.92'	7.75'	10.58'	13.42'	1.21'	0.45	0.68	0.92	1.14	23	26	29	32
	14"	23"	3'-4"	2.44'	3.75'	6.19'	3.70'	6'	1.90'	2.3'	5.38'	8.71'	12.04'	15.38'	1.23'	0.53	0.83	1.13	1.42	24	28	32	35
	19"	30"	4'-0"	2.62'	5.47'	8.09'	5.36'	8'	2.37'	2.6'	6.04'	10.04'	14.04'	18.04'	1.27'	0.74	1.15	1.57	1.98	27	32	36	40
	24"	38"	5'-0"	2.79'	7.18'	9.97'	7.03'	10'	2.85'	3.0'	6.79'	11.79'	16.79'	21.79'	1.31'	0.97	1.57	2.19	2.81	30	36	41	47
	29"	45"	5'-11"	3.05'	8.90'	11.95'	8.70'	12'	3.19'	3.3'	7.50'	13.42'	19.33'	25.25'	1.38'	1.22	2.07	2.92	3.77	33	40	46	53
	34"	53"	7'-0"	3.22'	10.62'	13.84'	10.36'	13'	3.57'	2.6'	8.25'	15.25'	22.25'	29.25'	1.42'	1.48	2.62	3.77	4.92	36	44	52	59
	38"	60"	7'-10"	3.39'	11.99'	15.38'	11.70'	15'	3.95'	3.3'	8.92'	16.75'	24.58'	32.42'	1.46'	1.72	3.12	4.53	5.92	38	47	56	65
	43"	68"	8'-11"	3.56'	13.71'	17.27'	13.36'	17'	4.28'	3.6'	9.67'	18.58'	27.50'	36.42'	1.50'	2.02	3.78	5.56	7.32	41	51	61	71
	48"	76"	9'-11"	3.73'	15.43'	19.16'	15.03'	19'	4.59'	4.0'	10.42'	20.33'	30.25'	40.17'	1.54'	2.34	4.49	6.64	8.79	44	55	66	77
	53"	83"	10'-8"	3.91'	17.15'	21.06'	16.70'	20'	4.77'	3.3'	11.08'	21.75'	32.42'	43.08'	1.58'	2.66	5.17	7.66	10.16	47	59	71	83
58"	91"	11'-8"	4.08'	18.87'	22.95'	18.36'	22'	5.01'	3.6'	11.83'	23.50'	35.17'	46.83'	1.63'	3.02	5.98	8.95	11.90	50	63	76	89	

▣ See General Note No. 3.  
See Sheet 5 For 3" Slab Quantities

■ Values shown for estimating pipe quantities and are for information only.

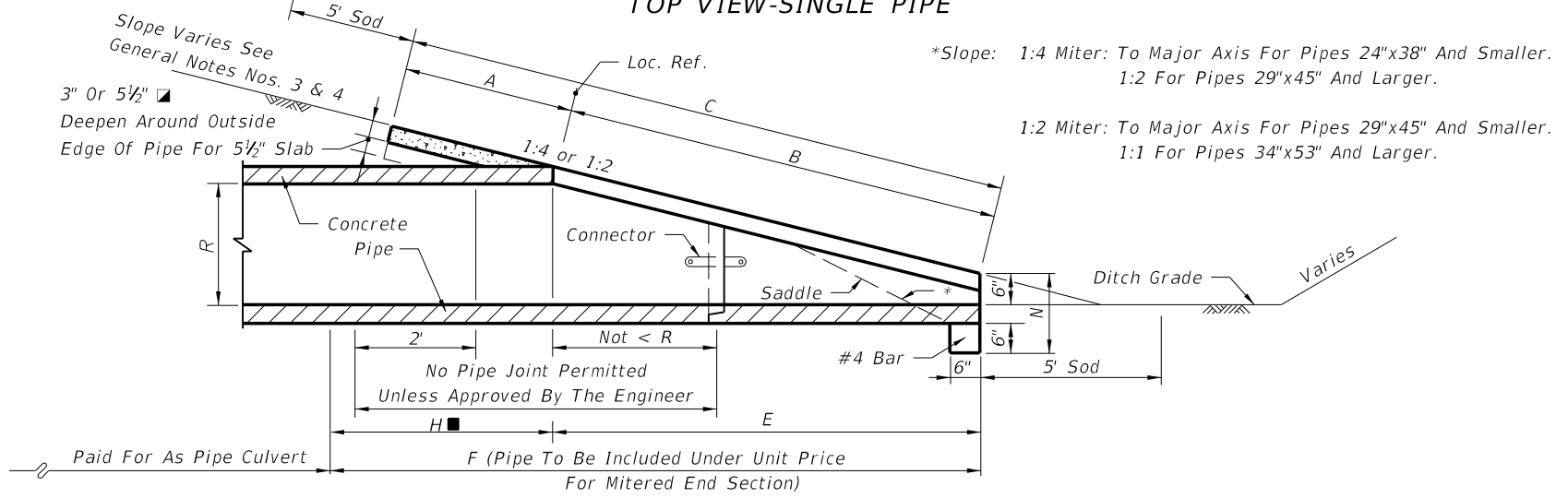


**TOP VIEW-SINGLE PIPE**



NOTE: See Sheet 6 For Details And Notes.

**TOP VIEW - MULTIPLE PIPE**



**SECTION**

\*Slope: 1:4 Miter: To Major Axis For Pipes 24"x38" And Smaller.  
1:2 For Pipes 29"x45" And Larger.

1:2 Miter: To Major Axis For Pipes 29"x45" And Smaller.  
1:1 For Pipes 34"x53" And Larger.

**SINGLE AND MULTIPLE ELLIPTICAL CONCRETE PIPE**

C:\projects\standards\roadway\02200-s\02272-04.dgn  
 smg70re  
 3:20:51 PM  
 6/24/2013

QUANTITIES FOR 3" THICK CONCRETE SLABS (CY)

	D	ROUND-CONCRETE			
		Single Pipe	Double Pipe	Triple Pipe	Quad. Pipe
1:2 Slope	15"	0.27	0.41	0.54	0.67
	18"	0.31	0.45	0.60	0.75
	24"	0.39	0.59	0.79	1.00
	30"	0.46	0.76	1.04	1.32
	36"	0.55	0.94	1.33	1.71
	42"	0.66	1.15	1.66	2.15
	48"	0.76	1.37	1.96	2.57
	54"	0.87	1.62	2.38	3.14
	60"	0.99	1.90	2.81	3.73
	72"	1.24	2.46	3.68	4.90
1:4 Slope	15"	0.40	0.61	0.80	1.00
	18"	0.47	0.69	0.91	1.14
	24"	0.60	0.90	1.21	1.52
	30"	0.76	1.19	1.63	2.07
	36"	0.89	1.48	2.05	2.63
	42"	1.05	1.82	2.57	3.34
	48"	1.21	2.15	3.07	4.00
	54"	1.39	2.55	3.72	4.88
	60"	1.59	3.02	4.44	5.86
	72"	2.12	4.18	6.24	8.30

	D	ROUND-CMP			
		Single Pipe	Double Pipe	Triple Pipe	Quad. Pipe
1:2 Slope	15"	0.24	0.37	0.51	0.64
	18"	0.26	0.43	0.61	0.78
	24"	0.32	0.52	0.72	0.91
	30"	0.38	0.64	0.91	1.18
	36"	0.44	0.78	1.13	1.48
	42"	0.51	0.96	1.41	1.87
	48"	0.57	1.09	1.63	2.15
	54"	0.65	1.32	1.99	2.66
	60"	0.71	1.49	2.28	3.07
	1:4 Slope	15"	0.31	0.47	0.63
18"		0.34	0.53	0.71	0.90
24"		0.44	0.69	0.92	1.18
30"		0.53	0.88	1.25	1.60
36"		0.62	1.07	1.53	2.00
42"		0.71	1.30	1.92	2.52
48"		0.80	1.54	2.29	3.02
54"		0.91	1.83	2.74	3.67
60"		1.02	2.15	3.27	4.39

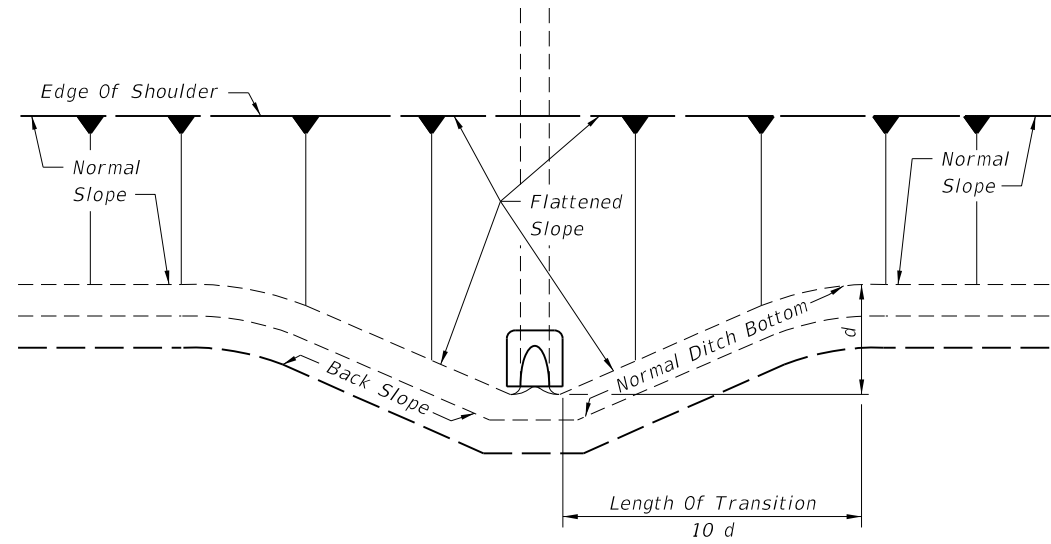
	Span	Rise	CMP-ARCH			
			Single Pipe	Double Pipe	Triple Pipe	Quad. Pipe
1:2 Slope	17"	13"	0.33	0.49	0.65	0.81
	21"	15"	0.33	0.50	0.67	0.83
	28"	20"	0.37	0.56	0.76	0.95
	35"	24"	0.40	0.62	0.84	1.07
	42"	29"	0.43	0.70	0.98	1.25
	49"	33"	0.49	0.82	1.15	1.48
	57"	38"	0.55	0.95	1.35	1.75
	64"	43"	0.62	1.10	1.57	2.05
	71"	47"	0.69	1.24	1.80	2.35
	1:4 Slope	17"	13"	0.38	0.56	0.74
21"		15"	0.39	0.59	0.80	0.95
28"		20"	0.43	0.64	0.88	1.10
35"		24"	0.49	0.77	1.05	1.33
42"		29"	0.57	0.92	1.27	1.62
49"		33"	0.65	1.08	1.50	1.93
57"		38"	0.76	1.30	1.83	2.37
64"		43"	0.87	1.55	2.18	2.83
71"		47"	0.95	1.68	2.43	3.17

	Rise	Span	ELLIPTICAL-CONCRETE			
			Single Pipe	Double Pipe	Triple Pipe	Quad. Pipe
1:2 Slope	12"	18"	0.19	0.33	0.45	0.57
	14"	23"	0.25	0.40	0.55	0.69
	19"	30"	0.34	0.55	0.75	0.95
	24"	38"	0.43	0.71	1.00	1.28
	29"	45"	0.52	0.90	1.27	1.65
	34"	53"	0.62	1.11	1.60	2.09
	38"	60"	0.70	1.29	1.87	2.46
	43"	68"	0.81	1.54	2.26	2.99
	48"	76"	0.93	1.79	2.66	3.53
	53"	83"	1.04	2.04	3.03	4.02
1:4 Slope	12"	18"	0.30	0.45	0.61	0.76
	14"	23"	0.36	0.56	0.76	0.95
	19"	30"	0.51	0.79	1.08	1.36
	24"	38"	0.68	1.10	1.53	1.96
	29"	45"	0.86	1.45	2.04	2.63
	34"	53"	1.02	1.81	2.60	3.39
	38"	60"	1.18	2.14	3.10	4.05
	43"	68"	1.38	2.58	3.79	4.99
	48"	76"	1.59	3.05	4.51	5.97
	53"	83"	1.80	3.50	5.19	6.88

C:\projects\standards\roadway\0200-s\020272-05.dgn 6/24/2013 3:20:52 PM sm970re

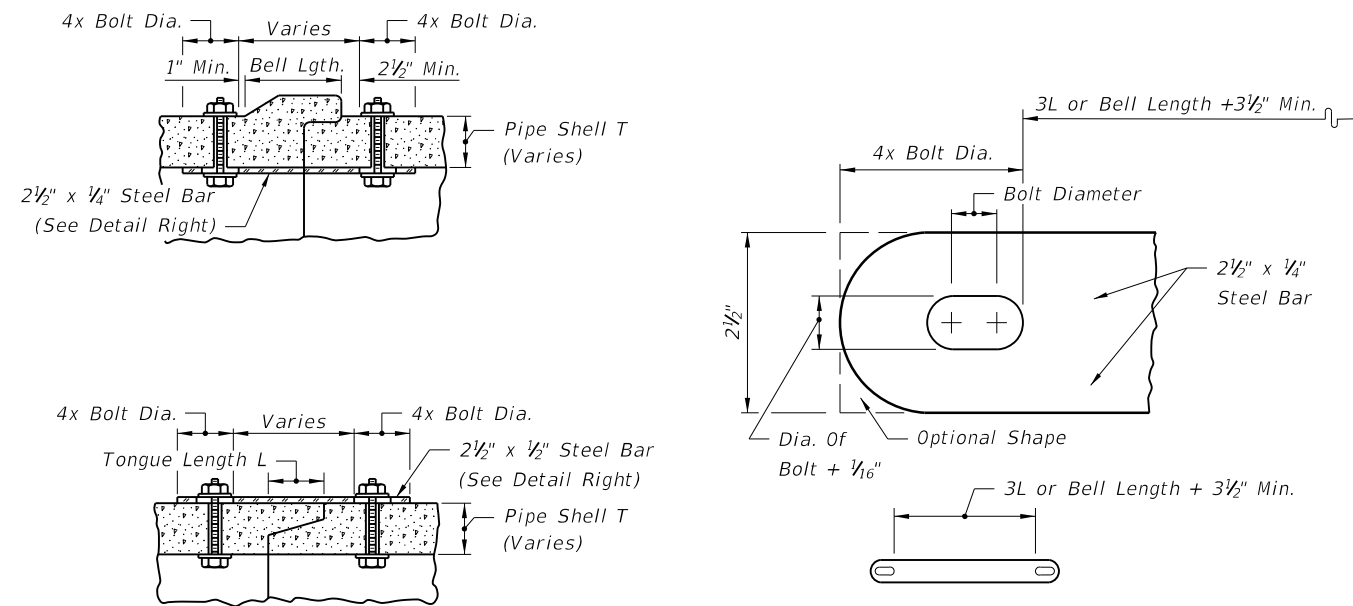
**GENERAL NOTES**

1. Unless otherwise designated in the plans, concrete pipe mitered end sections may be used with any type of cross drain pipe; corrugated steel pipe mitered end sections may be used with any type of cross drain pipe except aluminum pipe; and, corrugated aluminum mitered end sections may be used with any type of cross drain pipe except steel pipe. When bituminous coated metal pipe is specified for cross drain pipe, mitered end sections shall be constructed with like pipe or concrete pipe. When the mitered end section pipe is dissimilar to the cross drain pipe, a concrete jacket shall be constructed in accordance with Standard Index 280.
2. Corrugated polyethylene pipe (HDPE), polyvinyl-chloride pipe (PVC) and polypropylene pipe (PPP) for cross drain applications shall utilize either corrugated metal or concrete mitered end sections (MES). When used in conjunction with corrugated (MES), connection shall be by either a formed metal band specifically designated to join HDPE or PVC pipe, with metal pipe or other coupler approved by the State Drainage Engineer. When used in conjunction with a concrete (MES), connection shall be by concrete jacket constructed in accordance with Index No. 280.
3. Mitered end sections for pipe sizes 15", 18" and 24" round or equivalent pipe arch or elliptical pipe are permitted within the clear zone. When the slope intersection permits, the mitered end section may be located with the culvert opening as close as 8' beyond the outside edge of the shoulder.
4. Slope and ditch transitions shall be used when the normal roadway slope must be flattened to place end section outside clear zone. See detail left.
5. The reinforced concrete slab shall be constructed for all sizes of cross drain pipe and cast in place with Class NS concrete. Slabs shall be 5½" thick unless 3" thickness called for in plans.
6. Concrete pipe used in the assembly of mitered end sections shall be selective lengths to avoid excessive connections.
7. Corrugated metal pipe galvanizing that is damaged during beveling and perforating for mitered end section shall be repaired.
8. That portion of corrugated metal pipe in direct contact with the concrete slab and extending 12" beyond shall be bituminous coated prior to placing of the concrete.
9. When existing multiple cross drain pipes are spaced other than the dimensions shown in this detail, or have non-parallel axes, or have non-uniform sections, the mitered end sections will be constructed either separately as single pipe mitered end sections or collectively as multiple pipe end sections as directed by the Engineer; however, mitered end sections will be paid for each based on each independent pipe end.
10. The cost of all pipe(s), fasteners, reinforcing, connectors, anchors, concrete, sealants, jackets, and coupling bands shall be included in the cost for the mitered end section. Sodding shall be paid for separately under the contract unit price of Performance Turf, SY.
11. Mitered end sections shall be paid for under the contract unit price for Mitered End Section (CD), Each, based on each independent pipe end.



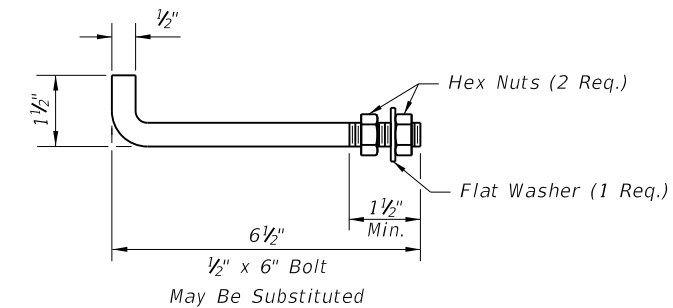
PLAN NOTE: See General Note 4

**SLOPE AND DITCH TRANSITIONS**



All bars, bolts, nuts and washers are to be galvanized steel.  
 Bolt diameters shall be 3/8" for 15" to 36" pipe and 5/8" for 42" to 72" pipe.  
 Two connectors required per joint, located 60° right and left of bottom center of pipe.  
 Bolt holes in pipe shell are to be drilled.

**CONCRETE PIPE CONNECTOR**



Anchors required for CMP only.

Anchor, washer and nuts to be galvanized steel.

Bend anchor where required to center in concrete slab. Damaged surfaces to be repaired after bending. Anchors are to be spaced a distance equal to four (4) corrugations. Place the anchors in the outside crest of corrugation.


Flat washers to be placed on inside wall of pipe.

Holes in the mitered end pipe are to be drilled or punched; burning not permitted.

**ANCHOR DETAIL**

**SPECIAL DETAILS AND NOTES**

C:\projects\standards\roadway\02200-s\02272-06.dgn smg70re 3:20:54 PM 6/24/2013

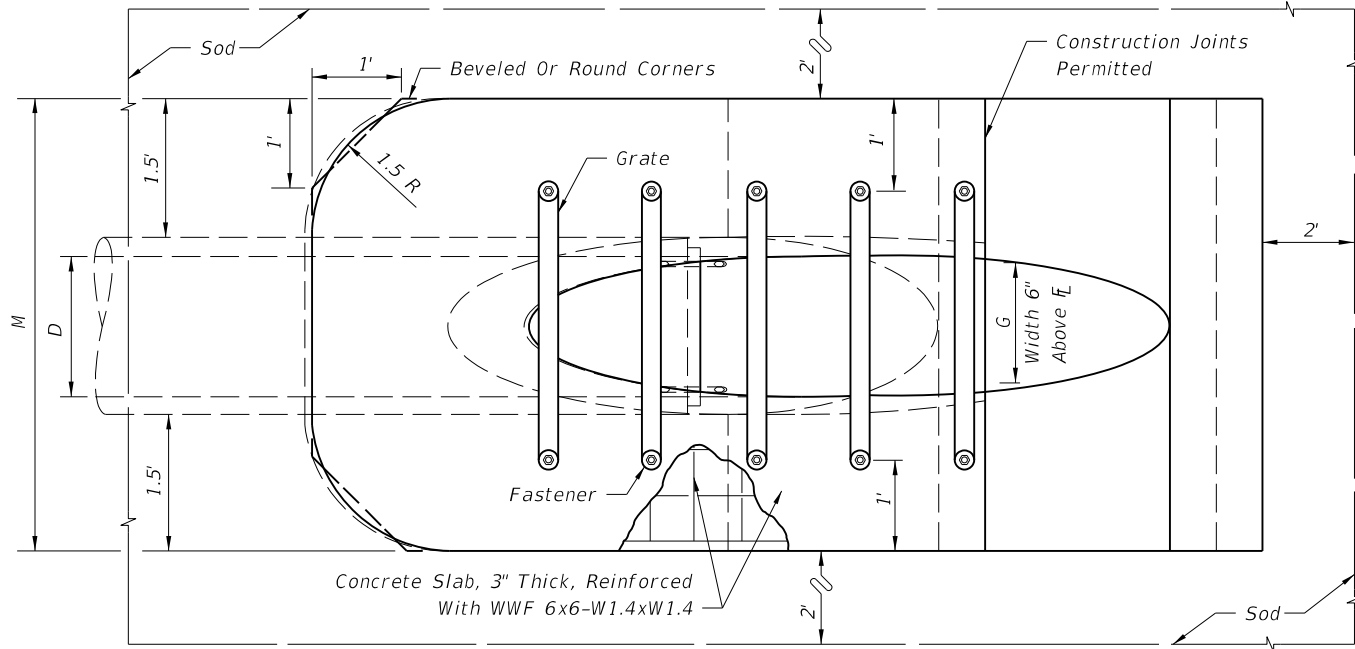
LAST REVISION 07/01/12	REVISION	DESCRIPTION:	 <p><b>FDOT 2014 DESIGN STANDARDS</b></p>	<p><b>CROSS DRAIN MITERED END SECTION</b></p>	INDEX NO. 272	SHEET NO. 6 of 6
---------------------------	----------	--------------	--	---	------------------	---------------------

**DIMENSIONS & QUANTITIES**

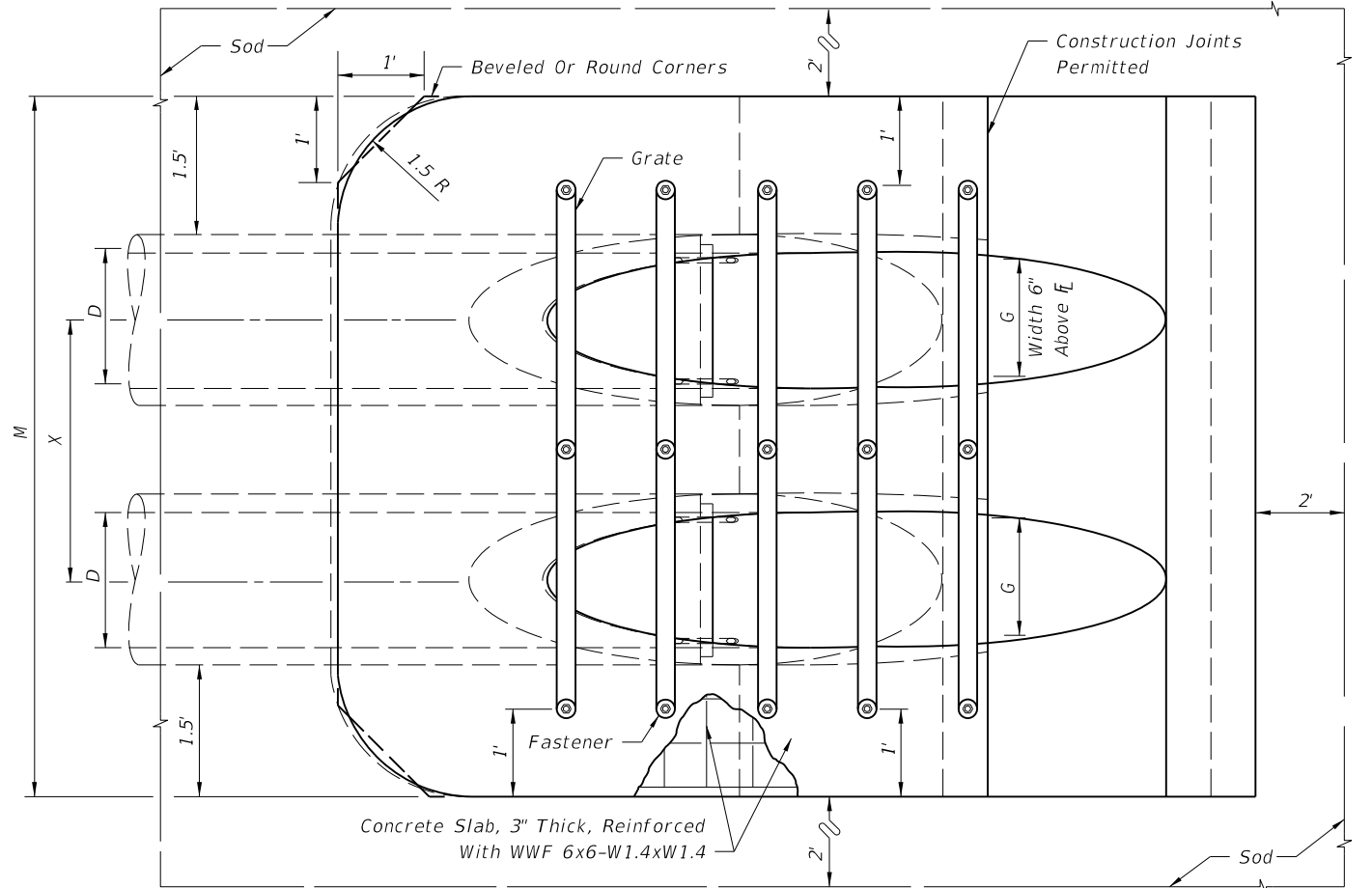
D	X	A	B	C	E	F	G	H ■	M				N	GRATE SIZES		CONCRETE (CY)				SODDING (SY)			
									Single Pipe	Double Pipe	Triple Pipe	Quad Pipe		Standard Weight Pipe	Extra Strong Pipe	Single Pipe	Double Pipe	Triple Pipe	Quad Pipe	Single Pipe	Double Pipe	Triple Pipe	Quad Pipe
15"	2'-7"	2.27'	4.09'	6.36'	4.03'	8'	1.22'	4.0'	4.63'	7.21'	9.79'	12.37'	1.19'			0.76	1.16	1.54	1.94	8	10	11	12
18"	2'-10"	2.36'	5.12'	7.48'	5.03'	9'	1.41'	4.0'	4.92'	7.75'	10.58'	13.42'	1.21'			0.85	1.28	1.71	2.17	9	10	12	13
24"	3'-5"	2.53'	7.18' △	9.71'	7.03' △	11'	1.73'	4.0'	5.50'	8.92'	12.33'	15.75'	1.25'			1.02	1.58	2.15	2.75	10	12	13	15
30"	4'-3"	2.70'	9.25'	11.95'	9.03'	13'	2.00'	4.0'	6.08'	10.33'	14.58'	18.83'	1.29'	2½"	3"	1.23	1.98	2.74	3.50	12	14	15	17
36"	5'-1"	2.87'	11.31' ◇	14.18'	11.03' ◇	15'	2.24'	4.0'	6.67'	11.75'	16.83'	21.92'	1.33'	2½"	3"	1.40	2.38	3.33	4.24	13	15	17	20
42"	6'-0"	3.05'	13.37'	16.42'	13.03'	17'	2.45'	4.0'	7.25'	13.25'	19.25'	25.25'	1.38'	2½"	3½"	1.60	2.83	4.04	5.26	14	17	19	22
48"	6'-9"	3.22'	15.43'	18.65'	15.03'	19'	2.65'	4.0'	7.83'	14.58'	21.33'	28.08'	1.42'	2½"	3½"	1.81	3.26	4.70	6.14	15	18	21	24
54"	7'-8"	3.39'	17.49'	20.88'	17.03'	21'	2.83'	4.0'	8.42'	16.08'	23.75'	31.42'	1.46'	3"	4"	2.03	3.78	5.54	7.28	17	20	23	27
60"	8'-6"	3.56'	19.55'	23.11'	19.03'	23'	3.00'	4.0'	9.00'	17.50'	26.00'	34.50'	1.50'	3"	4"	2.28	4.36	6.43	8.50	18	22	25	29

△ 6.42' △ 6.25' Dimensions permitted to allow use of 8' standard pipe lengths.  
 ◇ 10.40' ◇ 10.10' Dimensions permitted to allow use of 12' standard pipe lengths.  
 △ ◇ Concrete slab shall be deepened to form bridge across crown of pipe. See section below.

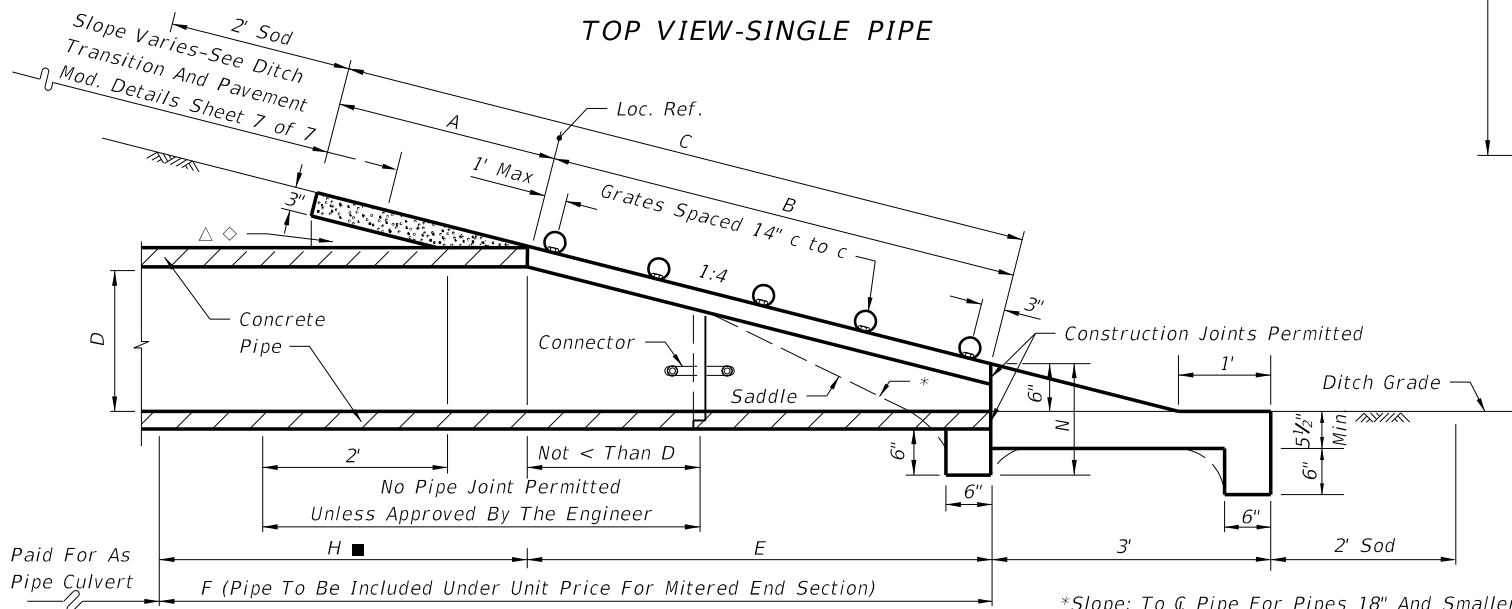
■ Values shown for estimating pipe quantities and are for information only.



**TOP VIEW-SINGLE PIPE**



**TOP VIEW-MULTIPLE PIPE**




**SECTION**

\*Slope: To  $\phi$  Pipe For Pipes 18" And Smaller  
 1:2 For Pipes 24" And Larger.

Note: See Sheets 6 and 7 for details and general notes.

**SINGLE AND MULTIPLE ROUND CONCRETE PIPE**

C:\projects\standards\roadway\00200-s\00273-01.dgn  
 sm970re  
 3:20:56 PM  
 6/24/2013

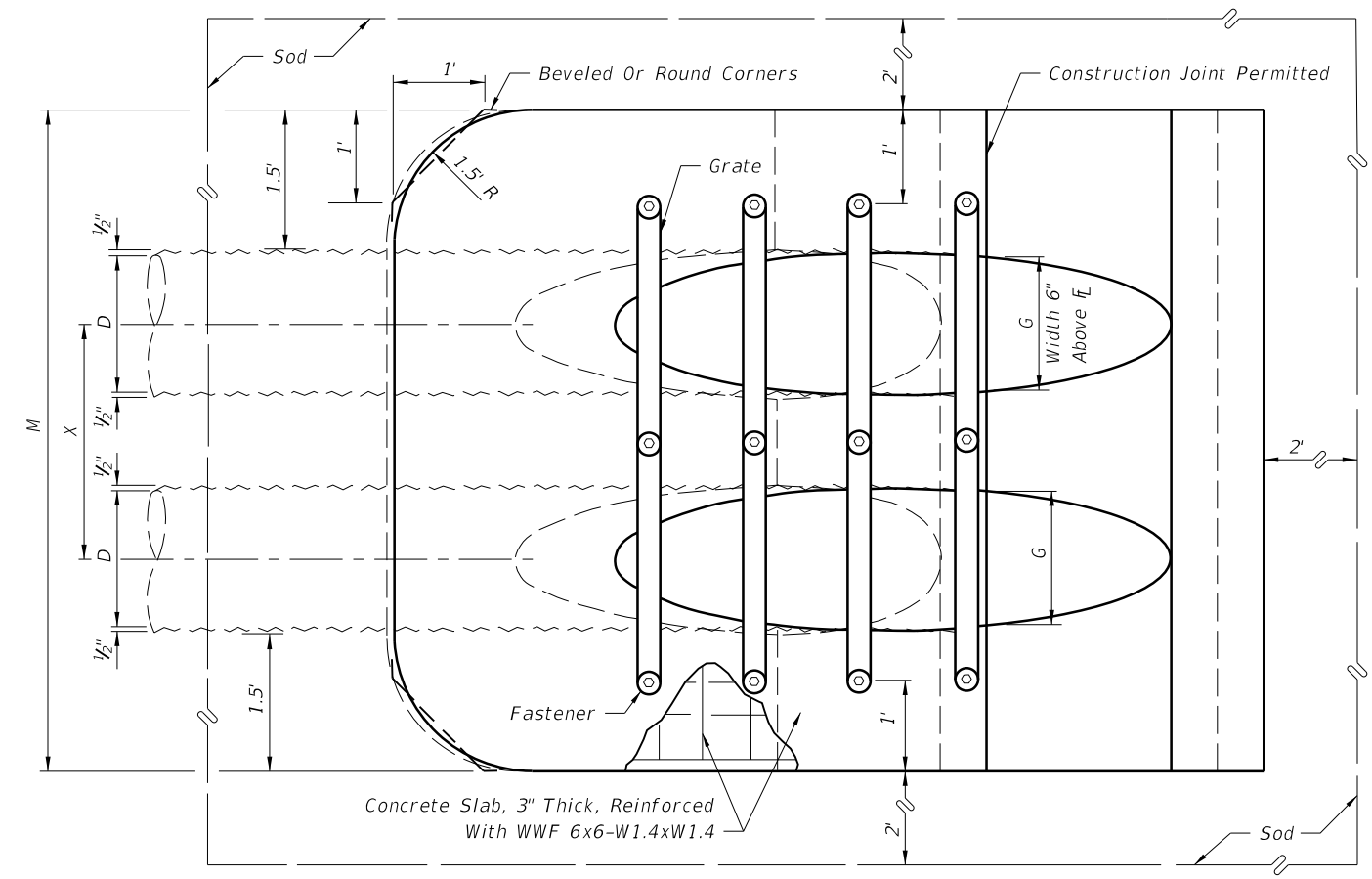
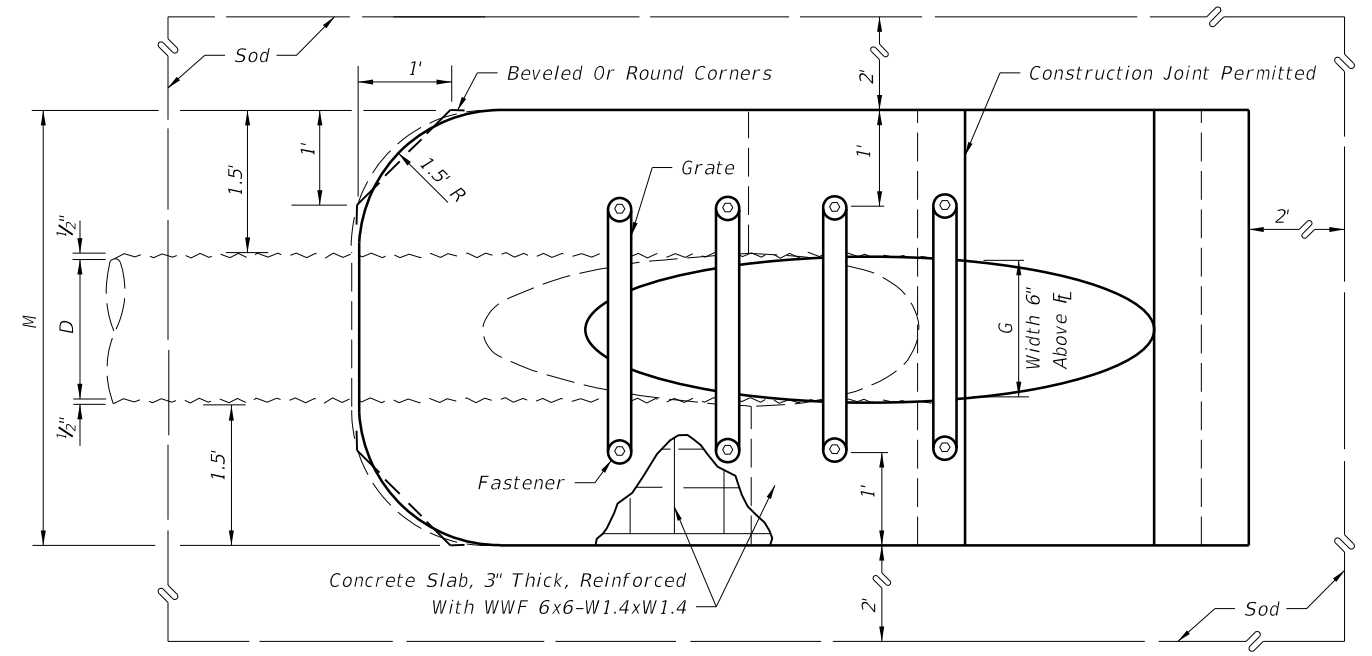
LAST REVISION 07/01/02	REVISION	DESCRIPTION:	 <p><b>FDOT 2014 DESIGN STANDARDS</b></p>	<p><b>SIDE DRAIN MITERED END SECTION</b></p>	INDEX NO. 273	SHEET NO. 1 of 7
---------------------------	----------	--------------	--	--	------------------	---------------------

**DIMENSIONS & QUANTITIES**

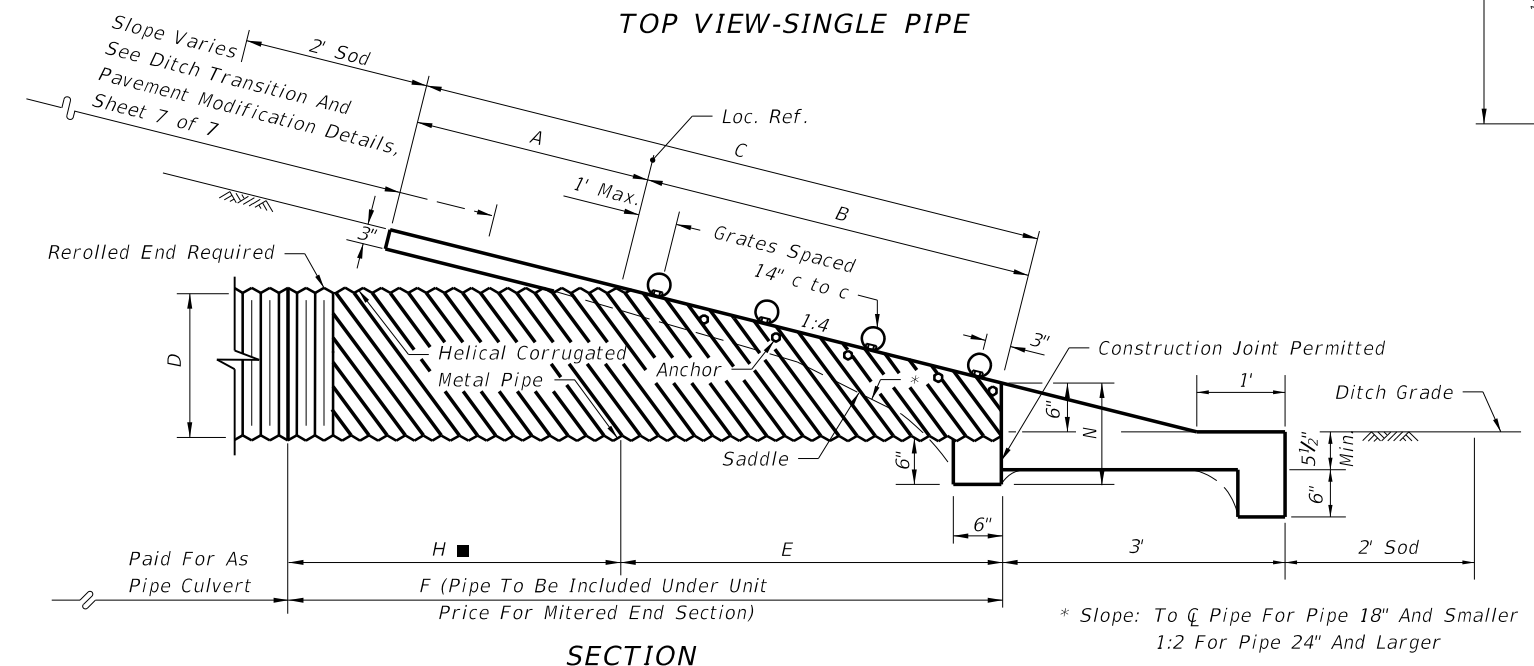
D	X	A	B	C	E	F	G	H ■	M				N	GRATE SIZES		CONCRETE (CY)				SODDING (SY)			
									Single Pipe	Double Pipe	Triple Pipe	Quad. Pipe		Standard Weight Pipe	Extra Strong Pipe	Single Pipe	Double Pipe	Triple Pipe	Quad. Pipe	Single Pipe	Double Pipe	Triple Pipe	Quad. Pipe
8"	2'-0"	2.5'	0.72'	3.22'	0.7'	4.0'	0.58'	3.3'	3.75'	5.75'	7.75'	9.75'	1.04'			0.52	0.90	1.22	1.54	7	8	8	9
10"	2'-2"	2.5'	1.34'	3.84'	1.3'	5.0'	0.81'	3.7'	3.92'	6.08'	8.25'	10.41'	1.04'			0.64	0.99	1.34	1.70	7	8	9	10
12"	2'-4"	2.5'	2.06'	4.56'	2.0'	6.0'	1.00'	4.0'	4.08'	6.42'	8.75'	11.08'	1.04'			0.68	1.09	1.48	1.88	7	8	10	11
15"	2'-7"	2.5'	3.09'	5.59'	3.0'	7.0'	1.23'	4.0'	4.33'	6.92'	9.50'	12.08'	1.04'			0.64	1.00	1.35	1.71	8	9	10	11
18"	2'-10"	2.5'	4.12'	6.62'	4.0'	8.0'	1.41'	4.0'	4.58'	7.42'	10.25'	13.08'	1.04'			0.69	1.09	1.49	1.89	9	10	11	12
24"	3'-5"	2.5'	6.18'	8.68'	6.0'	10.0'	1.73'	4.0'	5.08'	8.50'	11.92'	15.33'	1.04'			0.83	1.34	1.82	2.34	10	11	13	14
30"	4'-3"	2.5'	8.25'	10.75'	8.0'	12.0'	2.00'	4.0'	5.58'	9.83'	14.08'	18.33'	1.04'	2½"	3"	0.96	1.63	2.32	2.99	11	13	15	17
36"	5'-1"	2.5'	10.31'	12.81'	10.0'	14.0'	2.24'	4.0'	6.08'	11.17'	16.25'	21.33'	1.04'	2½"	3"	1.08	1.92	2.77	3.62	12	14	17	19
42"	6'-0"	2.5'	12.37'	14.87'	12.0'	16.0'	2.45'	4.0'	6.58'	12.58'	18.58'	24.58'	1.04'	2½"	3½"	1.20	2.26	3.34	4.61	13	16	18	21
48"	6'-9"	2.5'	14.43'	16.93'	14.0'	18.0'	2.65'	4.0'	7.08'	13.83'	20.58'	27.33'	1.04'	2½"	3½"	1.60	3.11	4.62	6.12	14	17	20	23
54"	7'-8"	2.5'	16.49'	18.99'	16.0'	20.0'	2.83'	4.0'	7.58'	15.25'	22.92'	30.58'	1.04'	3"	4"	1.76	3.56	5.34	7.14	15	19	22	26
60"	8'-6"	2.5'	18.55'	21.05'	18.0'	22.0'	3.00'	4.0'	8.08'	16.58'	25.08'	33.58'	1.04'	3"	4"	1.94	4.03	6.12	8.20	17	20	24	28

These sizes are restricted to inlet and outlet treatment for water management systems or similar applications.

■ Values shown for estimating pipe quantities and are for information only.




**TOP VIEW-MULTIPLE PIPE**



NOTE: See Sheets 6 and 7 for details and general notes.

**SINGLE AND MULTIPLE ROUND CORRUGATED METAL PIPE**

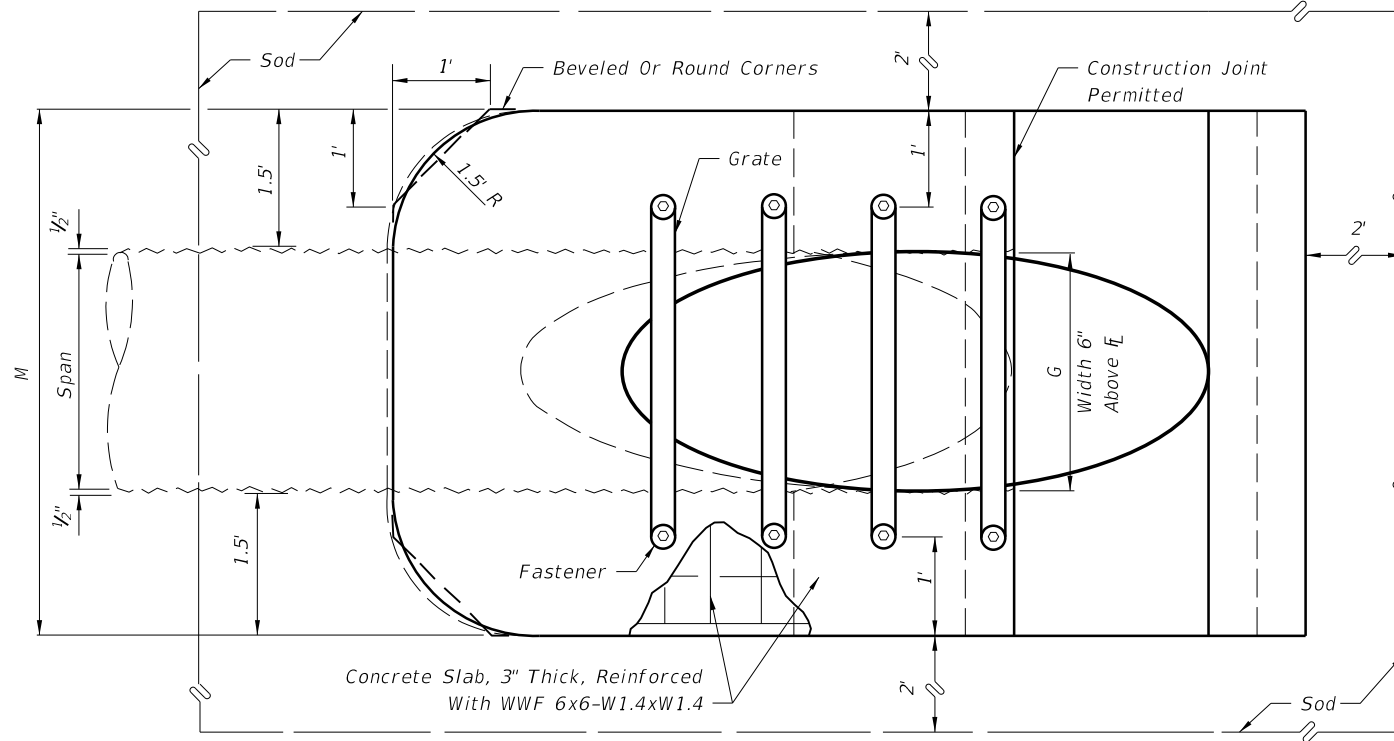
C:\p\projects\standards\roadway\02200-s\02273-02.dgn  
 sm970re  
 3:20:58 PM  
 6/24/2013

LAST REVISION <b>07/02/02</b>	REVISION	DESCRIPTION:	 <b>FDOT 2014 DESIGN STANDARDS</b>	<b>SIDE DRAIN MITERED END SECTION</b>	INDEX NO. <b>273</b>	SHEET NO. <b>2 of 7</b>

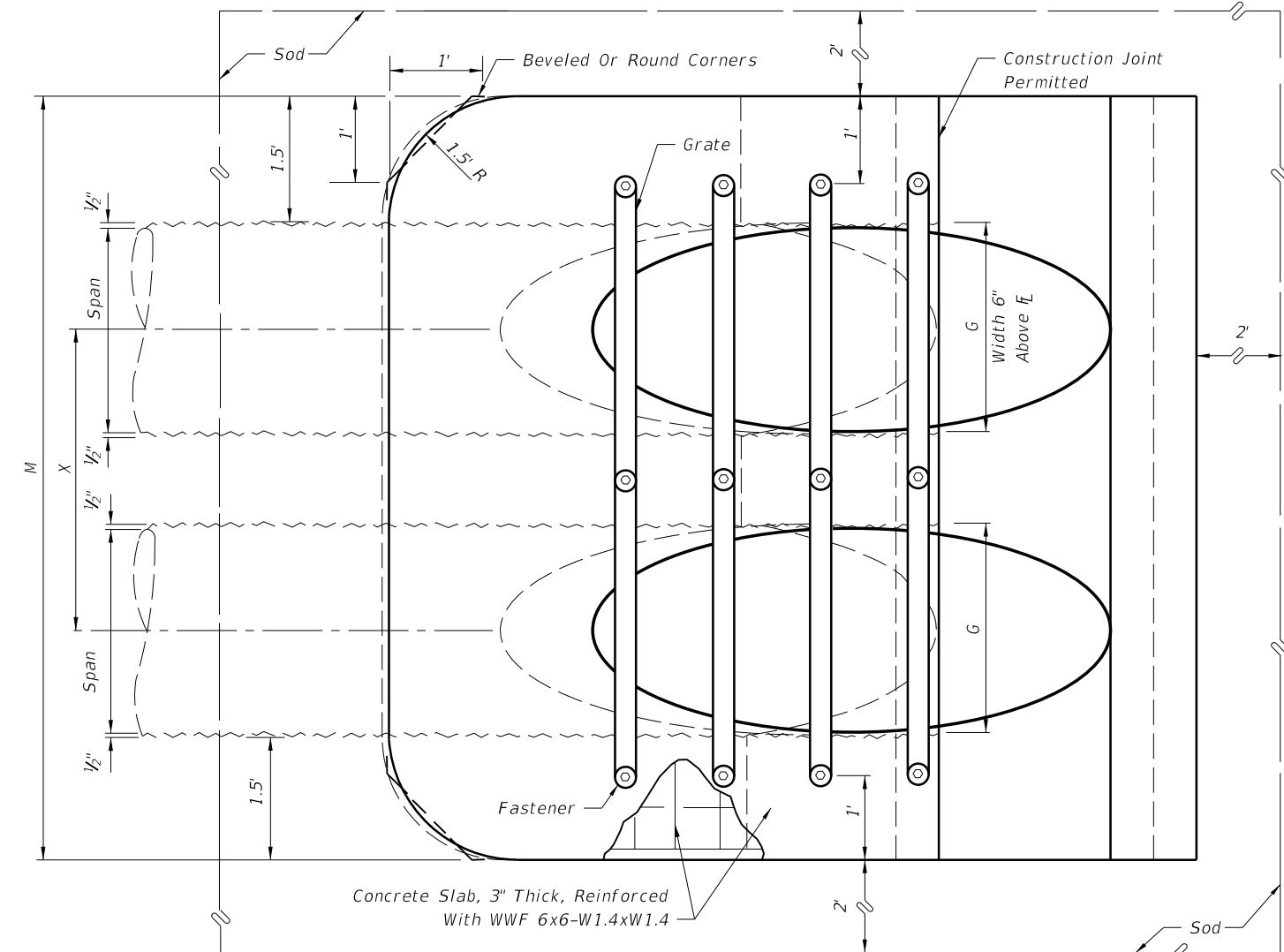
**DIMENSIONS & QUANTITIES**

1974 AASHTO		X	A	B	C	E	F	G	H ■	M				N	GRATE SIZES		CONCRETE (CY)				SODDING (SY)			
Span	Rise									Single Pipe	Double Pipe	Triple Pipe	Quad. Pipe		Standard Weight Pipe	Extra Strong Pipe	Single Pipe	Double Pipe	Triple Pipe	Quad. Pipe	Single Pipe	Double Pipe	Triple Pipe	Quad. Pipe
17"	13"	2'-6"	2.5'	2.41'	4.91'	2.33'	7'	1.39'	4.7'	4.50'	7.00'	9.50'	12.00'	1.04'			0.62	0.95	1.27	1.60	8	9	10	11
21"	15"	2'-10"	2.5'	3.09'	5.59'	3.00'	8'	1.76'	5.0'	4.83'	7.67'	10.50'	13.33'	1.04'			0.69	1.06	1.44	1.77	8	9	11	12
28"	20"	3'-5"	2.5'	4.81'	7.31'	4.67'	9'	2.22'	4.3'	5.42'	8.83'	12.25'	15.67'	1.04'			0.81	1.26	1.73	2.19	9	11	12	14
35"	24"	4'-0"	2.5'	6.18'	8.68'	6.00'	11'	2.55'	5.0'	6.00'	10.00'	14.00'	18.00'	1.04'	2½"	3"	0.94	1.51	2.09	2.66	10	12	14	15
42"	29"	4'-9"	2.5'	7.90'	10.40'	7.67'	12'	2.97'	4.3'	6.58'	11.33'	16.08'	20.83'	1.04'	2½"	3½"	1.06	1.76	2.46	3.16	11	13	15	17
49"	33"	5'-6"	2.5'	9.28'	11.78'	9.00'	14'	3.34'	5.0'	7.17'	12.67'	18.17'	23.67'	1.04'	2½"	3½"	1.19	2.02	2.84	3.68	12	14	17	19
57"	38"	6'-4"	2.5'	11.00'	13.50'	10.67'	16'	3.65'	5.3'	7.83'	14.17'	20.50'	26.83'	1.04'	3"	4"	1.35	2.35	3.35	4.36	13	16	19	22
64"	43"	7'-1"	2.5'	12.71'	15.21'	12.33'	17'	3.89'	4.7'	8.42'	15.50'	22.58'	29.67'	1.04'	3"	4"	1.50	2.70	3.86	5.03	14	17	20	24
71"	47"	7'-10"	2.5'	14.09'	16.59'	13.67'	19'	4.14'	5.3'	9.00'	16.83'	24.67'	32.50'	1.04'	3"	4"	1.62	2.94	4.27	5.59	15	18	22	25

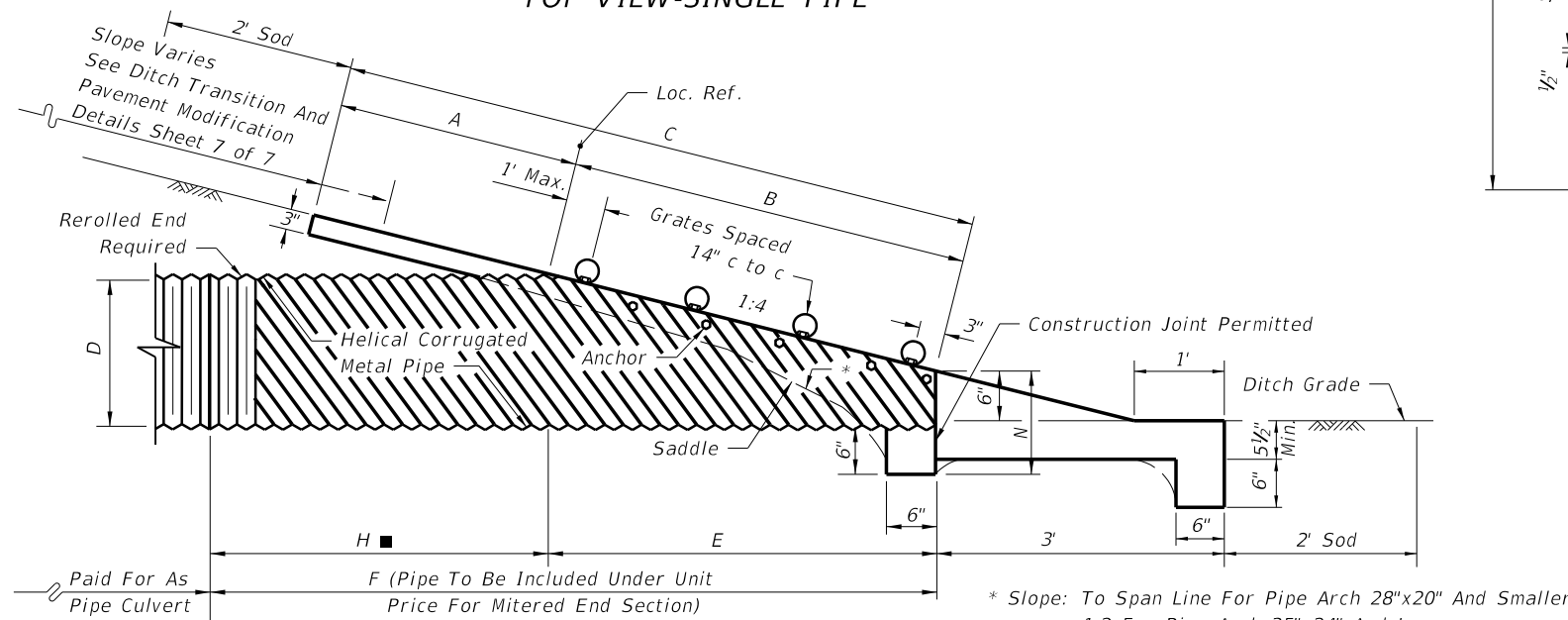
■ Values shown for estimating pipe quantities and are for information only.



**TOP VIEW-SINGLE PIPE**



**TOP VIEW-MULTIPLE PIPE**



**SECTION**

NOTE: See Sheets 6 and 7 for details and general notes.

**SINGLE AND MULTIPLE CORRUGATED METAL PIPE-ARCH**

LAST REVISION  
07/01/02

DESCRIPTION:


**FDOT 2014  
DESIGN STANDARDS**

**SIDE DRAIN MITERED END SECTION**

INDEX NO.  
**273**

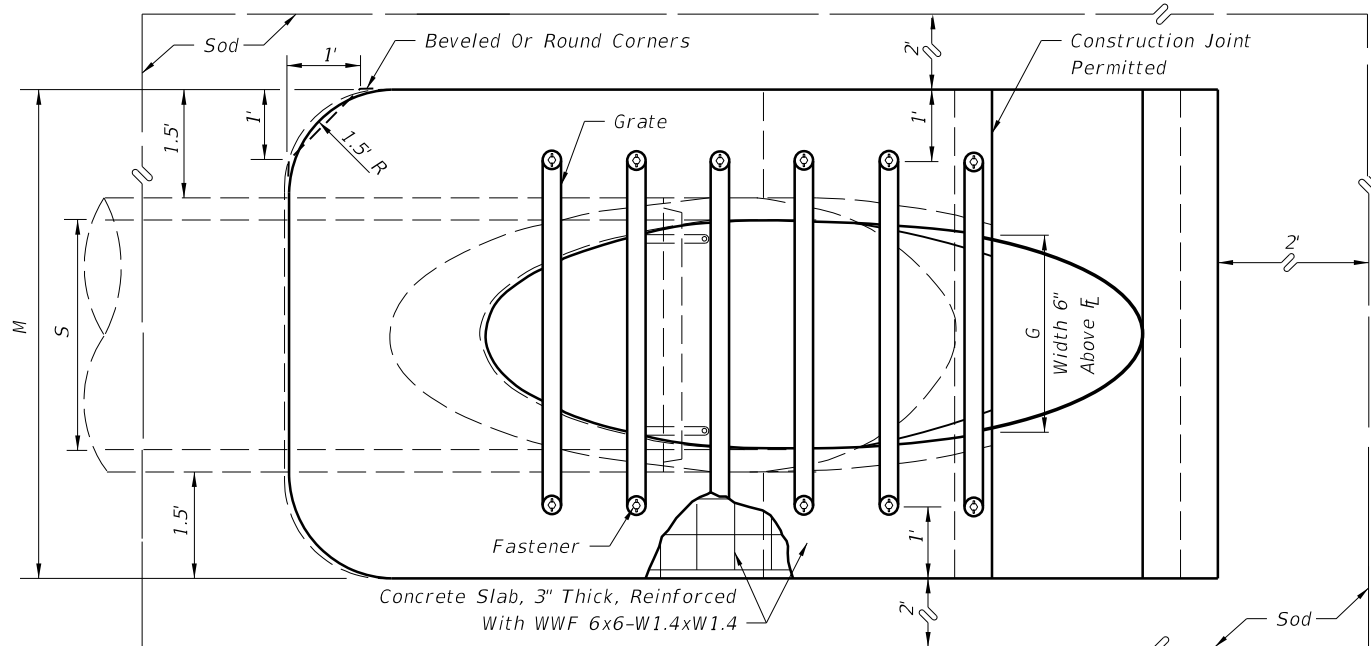
SHEET NO.  
**3 of 7**

C:\projects\standards\roadway\00200-s\00273-03.dgn  
 sm970re  
 3:21:00 PM  
 6/24/2013

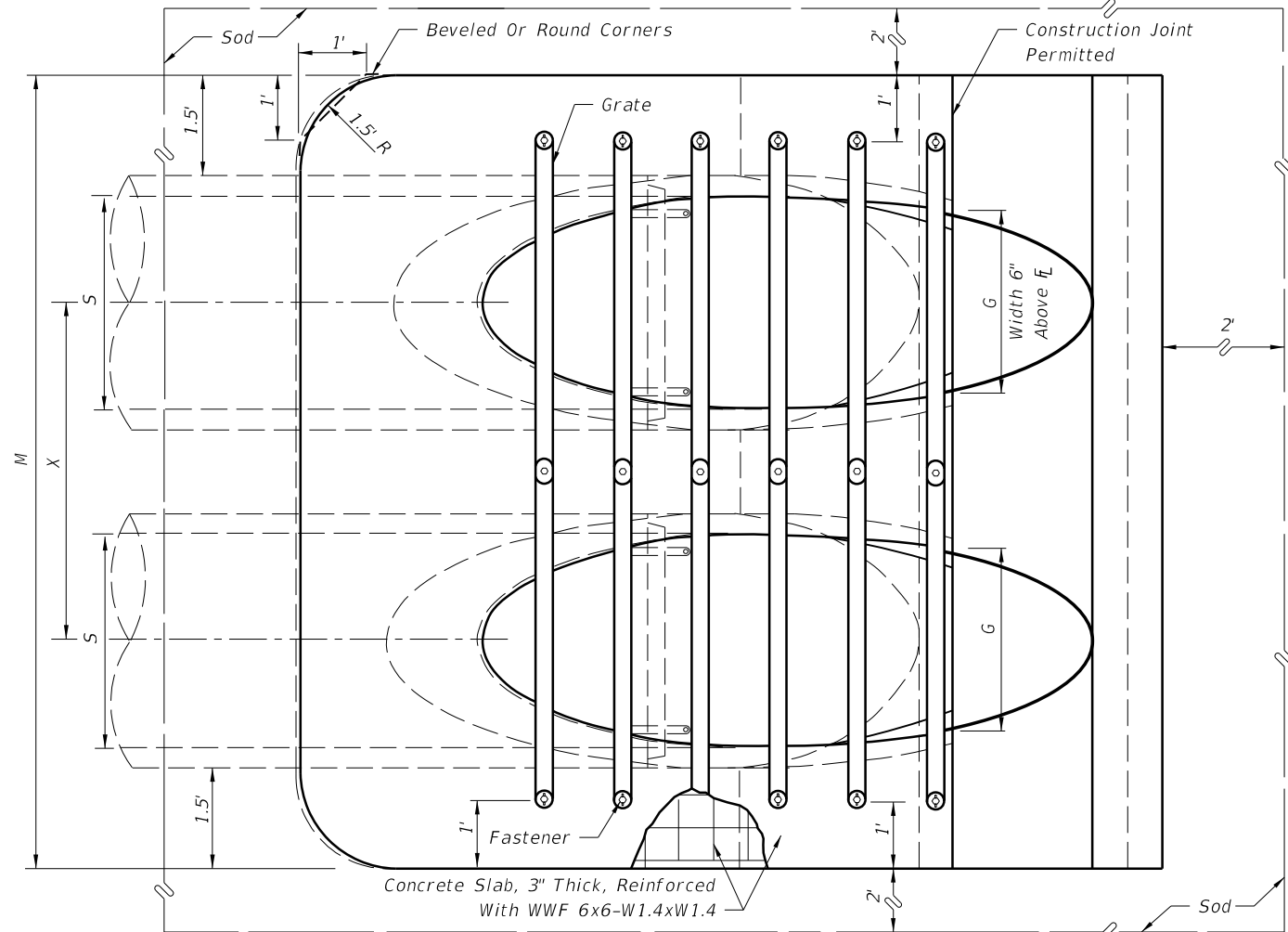
**DIMENSIONS & QUANTITIES**

Rise R	Span S	X	A	B	C	E	F	G	H ■	M				N	GRATE SIZES		CONCRETE (CY)				SODDING (SY)			
										Single Pipe	Double Pipe	Triple Pipe	Quad. Pipe		Standard Weight Pipe	Extra Strong Pipe	Single Pipe	Double Pipe	Triple Pipe	Quad. Pipe	Single Pipe	Double Pipe	Triple Pipe	Quad. Pipe
12"	18"	2'-10"	2.36'	3.06'	5.42'	3.03'	5'	1.50'	2.0'	4.92'	7.75'	10.58'	13.42'	1.21'			0.68	1.04	1.41	1.77	8	9	11	12
14"	23"	3'-4"	2.44'	3.75'	6.19'	3.70'	6'	1.90'	2.3'	5.38'	8.71'	12.04'	15.38'	1.23'			0.76	1.19	1.63	2.05	9	10	12	13
19"	30"	4'-0"	2.62'	5.47'	8.09'	5.36'	8'	2.37'	2.6'	6.04'	10.04'	14.04'	18.04'	1.27'	2½"		0.95	1.52	2.09	2.65	10	12	13	15
24"	38"	5'-0"	2.79'	7.18'	9.97'	7.03'	10'	2.85'	3.0'	6.79'	11.79'	16.79'	21.79'	1.31'	2½"	3"	1.18	1.95	2.74	3.53	11	13	15	18
29"	45"	5'-11"	3.05'	8.90'	11.95'	8.70'	12'	3.19'	3.3'	7.50'	13.42'	19.33'	25.25'	1.38'	2½"	3½"	1.41	2.42	3.44	4.45	12	15	18	20
34"	53"	7'-0"	3.22'	10.62'	13.84'	10.36'	13'	3.57'	2.6'	8.25'	15.25'	22.25'	29.25'	1.42'	3"	3½"	1.63	2.92	4.22	5.52	13	17	20	23
38"	60"	7'-10"	3.39'	11.99'	15.38'	11.70'	15'	3.95'	3.3'	8.92'	16.75'	24.58'	32.42'	1.46'	3"	4"	1.83	3.36	4.89	6.41	14	18	21	25
43"	68"	8'-11"	3.56'	13.71'	17.27'	13.36'	17'	4.28'	3.6'	9.67'	18.58'	27.50'	36.42'	1.50'	3"	4"	2.09	3.95	5.80	7.65	16	20	23	27
48"	76"	9'-11"	3.73'	15.43'	19.16'	15.03'	19'	4.59'	4.0'	10.42'	20.33'	30.25'	40.17'	1.54'	3"	HSS 5"x¾"	2.37	4.54	6.73	8.92	17	21	26	30
53"	83"	10'-8"	3.91'	17.15'	21.06'	16.70'	20'	4.77'	3.3'	11.08'	21.75'	32.42'	43.08'	1.58'	3"	HSS 5"x¾"	2.61	5.09	7.56	10.03	18	23	27	32
58"	91"	11'-8"	4.08'	18.87'	22.95'	18.36'	22'	5.01'	3.6'	11.83'	23.50'	35.17'	46.83'	1.63'	3½"	HSS 5"x¾"	2.91	5.77	8.64	11.50	19	24	29	35

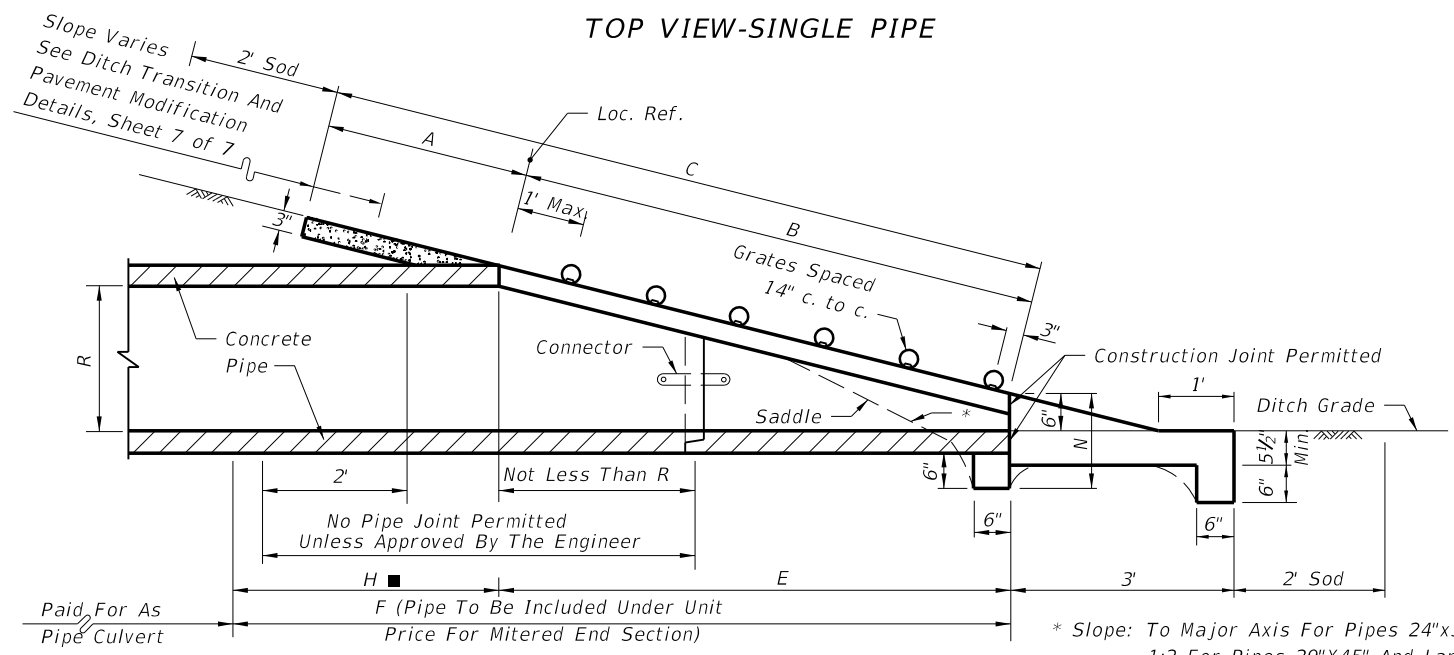
■ Values shown for estimating pipe quantities and are for information only.



**TOP VIEW-SINGLE PIPE**



**TOP VIEW-MULTIPLE PIPE**




**SECTION**

NOTE: See Sheets 6 and 7 for details and general notes.

**SINGLE AND MULTIPLE ELLIPTICAL CONCRETE PIPE**

C:\projects\standards\roadway\02200-s\02273-04.dgn 3:21:02 PM sm970re 6/24/2013

LAST REVISION 07/01/13	DESCRIPTION:	 <p><b>FDOT 2014 DESIGN STANDARDS</b></p>	<p><b>SIDE DRAIN MITERED END SECTION</b></p>	INDEX NO. 273	SHEET NO. 4 of 7
---------------------------	--------------	--	--	------------------	---------------------



Drain Size	s	n	L	La
------------	---	---	---	----

CONCRETE PIPE (ROUND)

15"	3	4	4'-0"	4'-11"
18"	4	5	5'-2"	6'-1"
24"	6	7	7'-6"	8'-5"
30"	7	8	8'-8"	9'-7"
36"	9	10	11'-0"	11'-11"
42"	11	12	13'-4"	14'-3"
48"	13	14	15'-8"	16'-7"
54"	14	15	16'-10"	17'-9"
60"	16	17	19'-2"	20'-1"

CORRUGATED METAL PIPE (ROUND)

15"	2	3	2'-10"	3'-9"
18"	3	4	4'-0"	4'-11"
24"	5	6	6'-4"	7'-3"
30"	7	8	8'-8"	9'-7"
36"	8	9	9'-10"	10'-9"
42"	10	11	12'-2"	13'-1"
48"	12	13	14'-6"	15'-5"
54"	14	15	16'-10"	17'-9"
60"	15	16	18'-0"	18'-11"

Drain Size	s	n	L	La
------------	---	---	---	----

ELLIPTICAL CONCRETE PIPE

12"x18"	2	3	2'-10"	3'-9"
14"x23"	3	4	4'-0"	4'-11"
19"x30"	4	5	5'-2"	6'-1"
24"x38"	5	6	6'-4"	7'-3"
29"x45"	7	8	8'-8"	9'-7"
34"x53"	8	9	9'-10"	10'-9"
38"x60"	10	11	12'-2"	13'-1"
43"x68"	11	12	13'-4"	14'-3"
48"x76"	13	14	15'-8"	16'-7"
53"x83"	14	15	16'-10"	17'-9"
58"x91"	15	16	18'-0"	18'-11"

CORRUGATED METAL PIPE (ARCH)

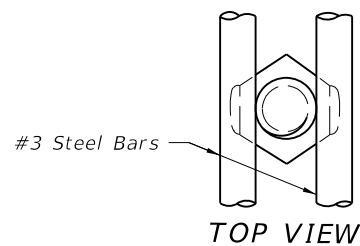
17"x13"	1	2	1'-8"	2'-7"
21"x15"	2	3	2'-10"	3'-9"
28"x20"	4	5	5'-2"	6'-1"
35"x24"	5	6	6'-4"	7'-3"
42"x29"	6	7	7'-6"	8'-5"
49"x33"	7	8	8'-8"	9'-7"
57"x38"	9	10	11'-0"	11'-11"
64"x43"	10	11	12'-2"	13'-1"
71"x47"	12	13	14'-6"	15'-5"

Note: 5/8" x 3" bolts are standard for all grate fasteners, except when the contractor elects to use the slotted upper holes for the intermediate fasteners on multiple drain pipes, which will require the following bolt lengths:

Grate Size (Std. & X-Stg.)	Bolt Length
2 1/2"	5 1/2"
3"	6"
3 1/2"	6 1/2"
4"	7"

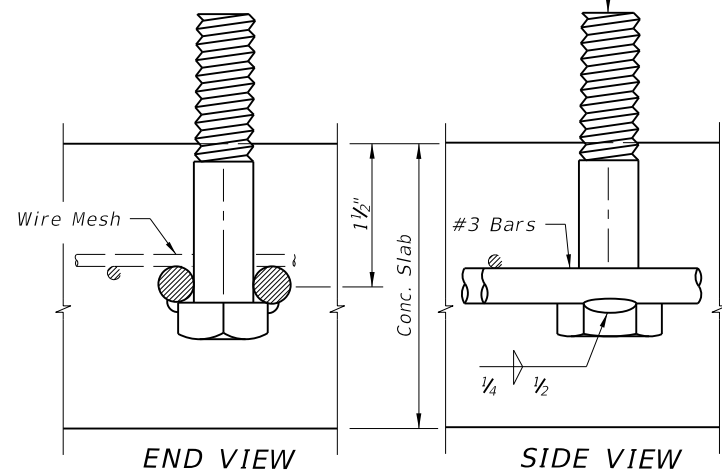
\*\* To be used only when grates are called for in the plans.

\*\*\* 1974 AASHTO Pipe Arch Sizes.



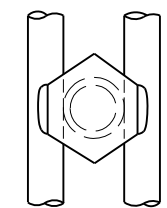
TOP VIEW

5/8" Galvanized Bolt Hex Head Bolt Shown; Either Hex Head Or Square Head Bolt May Be Used. Only Hex Nut To Be Used.



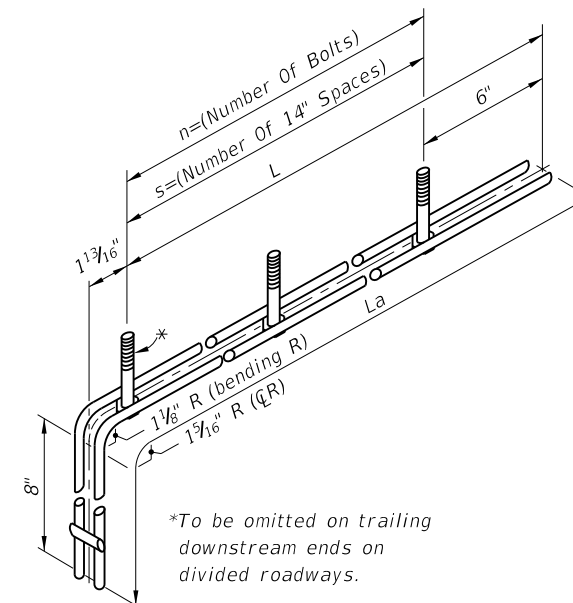
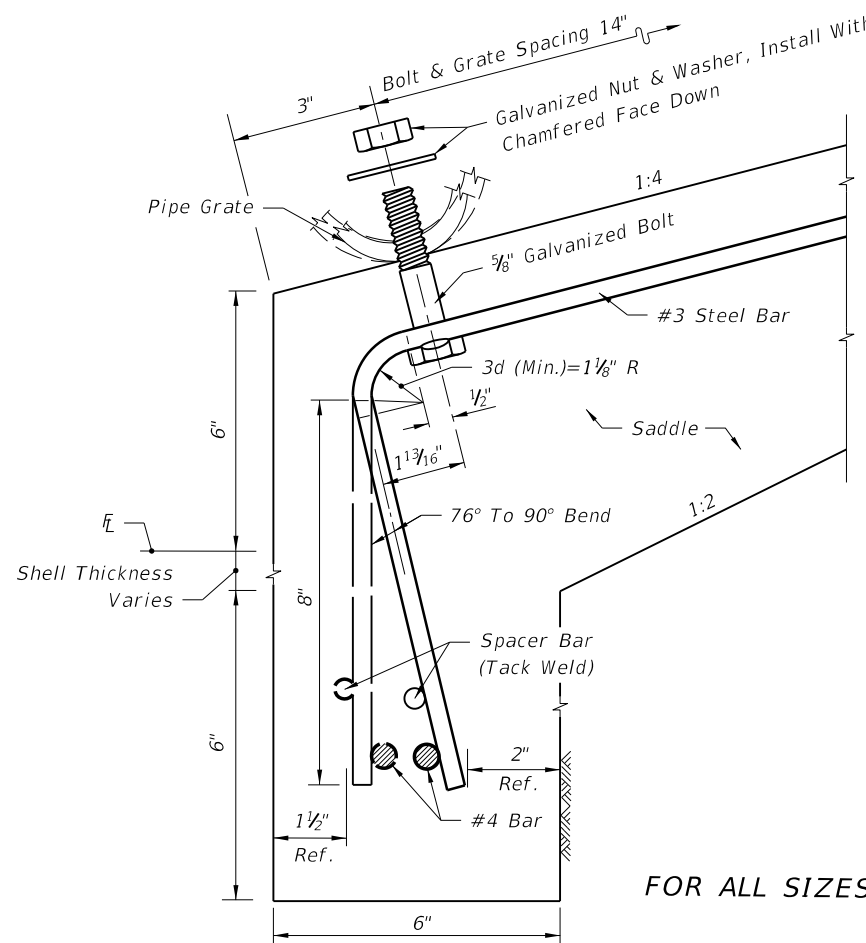
END VIEW

SIDE VIEW



BOTTOM VIEW

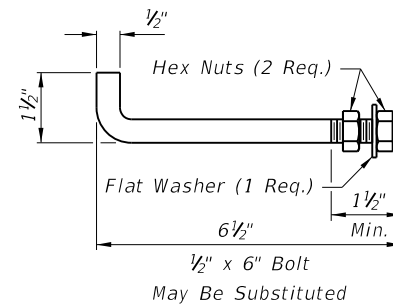
The specified weld shall be made when the fabricated unit is subject to hazardous hauls and repeated handling. Tack welds are permitted for local or job site fabrication. Galvanizing over welded surface not required.



FOR ALL SIZES OF SINGLE AND MULTIPLE DRAIN PIPE FASTENER UNIT

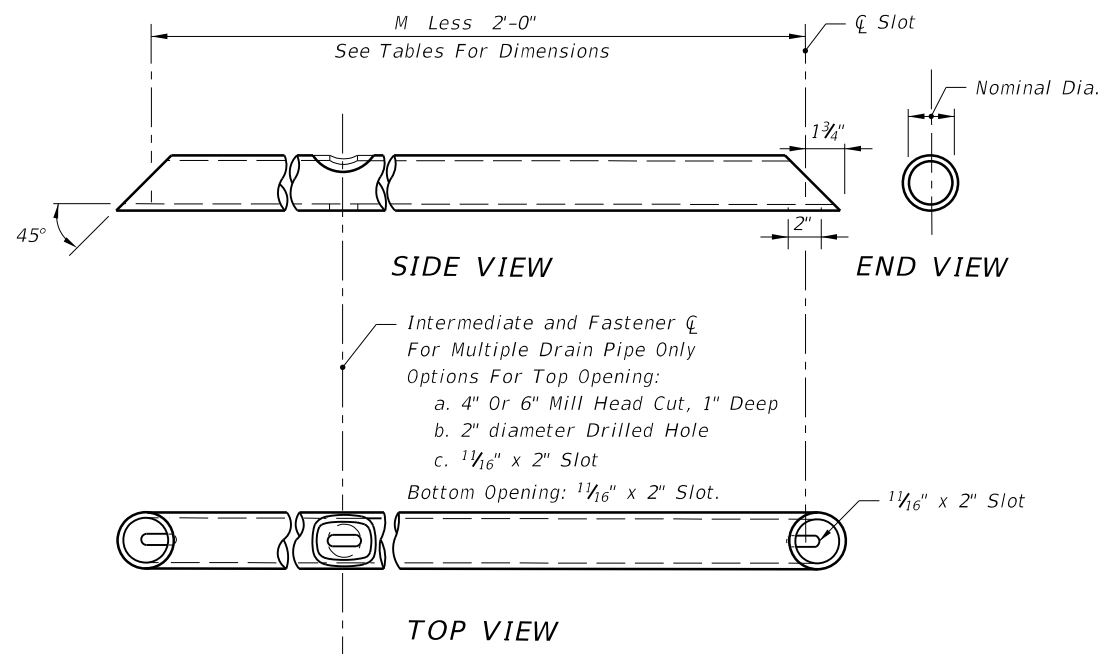
DETAILS FOR CONCRETE & CORRUGATED METAL PIPE

C:\projects\standards\roadway\02200-s\02273-05.dgn 3:21:03 PM sm970re 6/24/2013



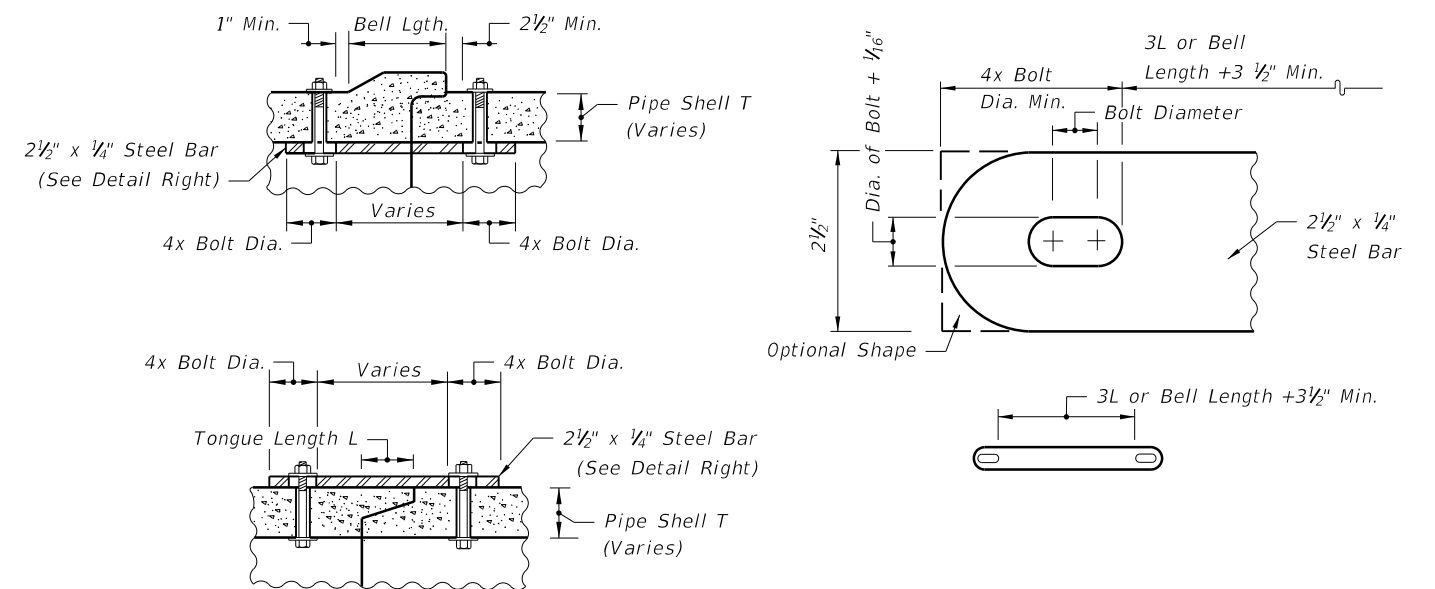
Notes:  
 Anchors required for CMP only.  
 Anchor, washer and nuts to be galvanized steel.  
 Bend anchor where required to center in concrete slab.  
 Damaged surfaces to be repaired after bending.  
 Anchors are to be spaced a distance equal to four (4) corrugations.  
 Place the anchors in the outside crest of corrugation.  
 Flat washer to be placed on inside wall of pipe.  
 Holes in the mitered end pipe are to be drilled or punched; burning not permitted.

ANCHOR DETAIL



FOR SINGLE & MULTIPLE DRAIN PIPE  
 GRATE DETAIL

See General Notes, Sheet 7.




All bars, bolts, nuts and washers are to be galvanized steel.  
 Bolt diameters shall be 3/8 inch for 15 inch to 36 inch pipe and 1/2 inch for 42 inch to 60 inch pipe.  
 Two connectors required per joint, located 60 degrees right and left of bottom center of pipe.  
 Bolt holes in pipe shell are to be drilled.

CONCRETE PIPE CONNECTOR DETAIL

DETAILS FOR CONCRETE & CORRUGATED METAL PIPE

C:\projects\standards\roadway\00200-s\00273-06.dgn  
 smg70re  
 3:21:05 PM  
 6/24/2013

LAST REVISION 07/01/00	REVISION	DESCRIPTION:	 <b>FDOT 2014          DESIGN STANDARDS</b>	<b>SIDE DRAIN MITERED END SECTION</b>	INDEX NO. <b>273</b>	SHEET NO. <b>6 of 7</b>
---------------------------	----------	--------------	---	---------------------------------------	-------------------------	----------------------------

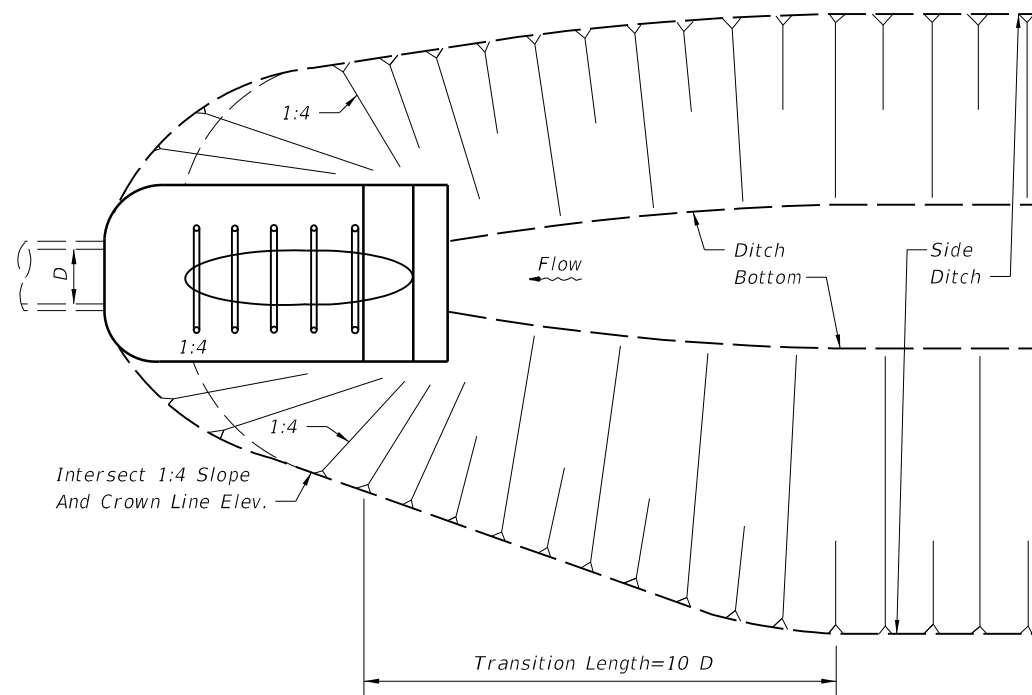
**GENERAL NOTES**

1. Unless otherwise designated in the plans, concrete pipe mitered end sections may be used with any type of side drain pipe; corrugated steel pipe mitered end sections may be used with any type of side drain pipe except aluminum pipe; and, corrugated aluminum mitered end sections may be used with any type of side drain pipe except steel pipe. When bituminous coated metal pipe is specified for side drain pipe, mitered end sections shall be constructed with like pipe or concrete pipe. When the mitered end section pipe is dissimilar to the side drain pipe, a concrete jacket shall be constructed in accordance with Index No. 280.
2. Corrugated polyethylene pipe (HDPE), polyvinyl-chloride pipe (PVC) and polypropylene pipe (PPP) for side drain applications shall utilize either corrugated metal or concrete mitered end sections (MES). When used in conjunction with corrugated (MES), connection shall be by either a formed metal band specifically designated to join HDPE or PVC pipe, with metal pipe or other coupler approved by the State Drainage Engineer. When used in conjunction with a concrete (MES), connection shall be by concrete jacket constructed in accordance with Index No. 280.
3. Concrete pipe used in the assembly of mitered end sections shall be of selective lengths to avoid excessive connections.
4. Corrugated metal pipe galvanizing that is damaged during beveling and perforating for mitered end section shall be repaired.
5. That portion of corrugated metal pipe in direct contact with the concrete slab and extending 12" beyond shall be bituminous coated prior to placing of the concrete.
6. When existing multiple side drain pipes are spaced other than the dimensions shown in this detail, or have nonparallel axes, or have non-uniform sections, The mitered end sections will be constructed either separately as single pipe mitered end sections or collectively as multiple pipe end sections as directed by the Engineer; however, mitered end sections will be paid for each, based on each independent pipe end.
7. In addition to the requirements of Section 430-4, side drain culverts shall comply with the cover requirements shown on Index No. 205.
8. The reinforced concrete slab shall be constructed for all sizes of side drain pipe and cast in place with Class NS concrete.
9. Round pipe size 30" or greater, pipe-arch size 35"x24" or greater and elliptical pipe 19"x30" or greater shall be grated unless excepted in the plans. Smaller sizes of pipe shall be grated only when called for in plans. The lower grate on trailing downstream ends on divided highways shall be omitted.
10. Grates are to be fabricated from steel ASTM A53, Grade B, pipe. The lower grate on all traffic approach ends shall be Schedule 80 and all remaining grates shall be Schedule 40. Grates subject to salt free and corrosive free environment may be fabricated from galvanized pipe, with base metal exposed during fabrication repaired as specified in Section 562, Standard Specifications; or, fabricated from black pipe and hot dip galvanized after fabrication in accordance with ASTM A123. Grates subject to salt water or highly corrosive environment shall be hot dip galvanized after fabrication in accordance with ASTM A123.
11. Ditch transitions shall be used on all grades in excess of 3% as directed by the Engineer.
12. The project engineer shall contact the District Drainage Engineer for possible alternate treatment prior to constructing side drain mitered end sections where a minimum spacing of 30' will not result between the toe points of the mitered end sections.
13. The cost of all pipe(s), grates, fasteners, reinforcing, connectors, anchors, concrete, sealants, jackets and coupling bands shall be included in the cost for the mitered end section. Sodding shall be paid for separately under the contract unit price for Performance Turf, SY.
14. Mitered end sections shall be paid for under the contract unit price for Mitered End Section (SD), Ea., based on each independent pipe end.

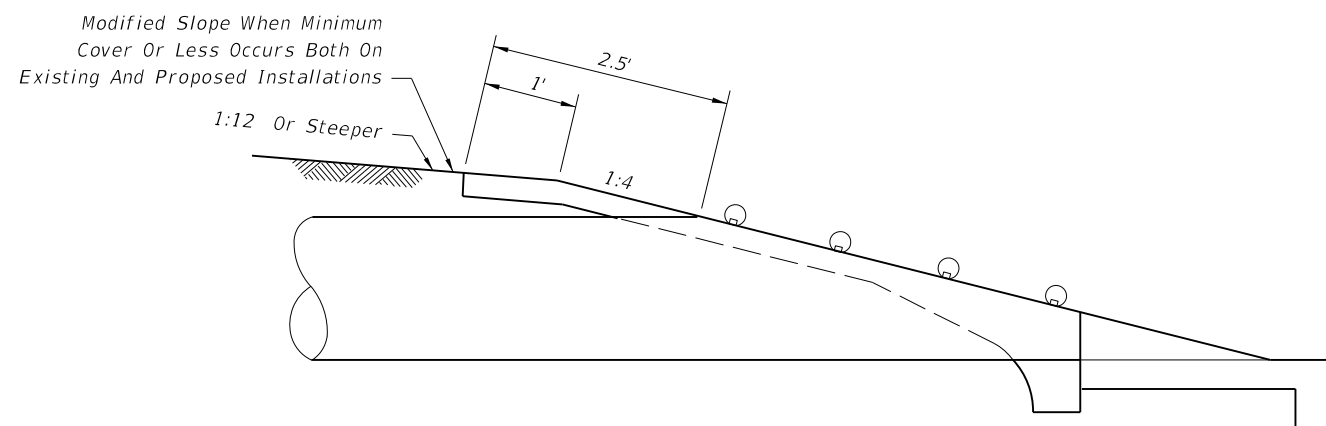
**DESIGN NOTES**

1. In critical hydraulic locations, grates shall not be used until potential debris transport has been evaluated by the drainage engineer and appropriate adjustments made. Ditch grades in excess of 3% or pipe with less than 1.5' of cover and grades in excess of 1% will require such an evaluation (General Note 9).
2. The design engineer shall determine highly corrosive locations and specify in the plans when the grates shall be hot-dip galvanized after fabrication (General Note 10).
3. The design engineer shall determine and designate in the plans which alternate types of mitered end section will not be permitted. The restriction shall be based on corrosive or structural requirements.

**NOTES & INFORMATION**




**PLAN  
DITCH TRANSITION**



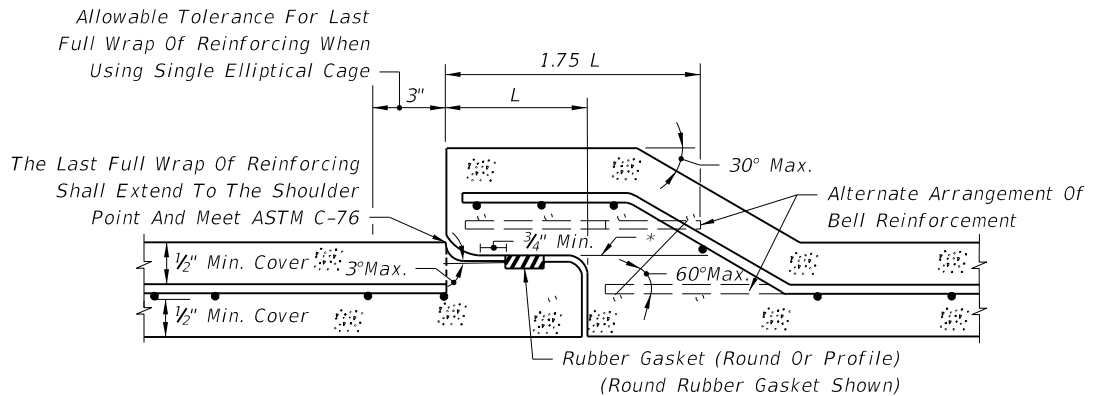
**PERMISSIBLE PAVEMENT MODIFICATION**

C:\projects\standards\roadway\02200-s\00273-07.dgn sm970re 3:21:07 PM 6/24/2013

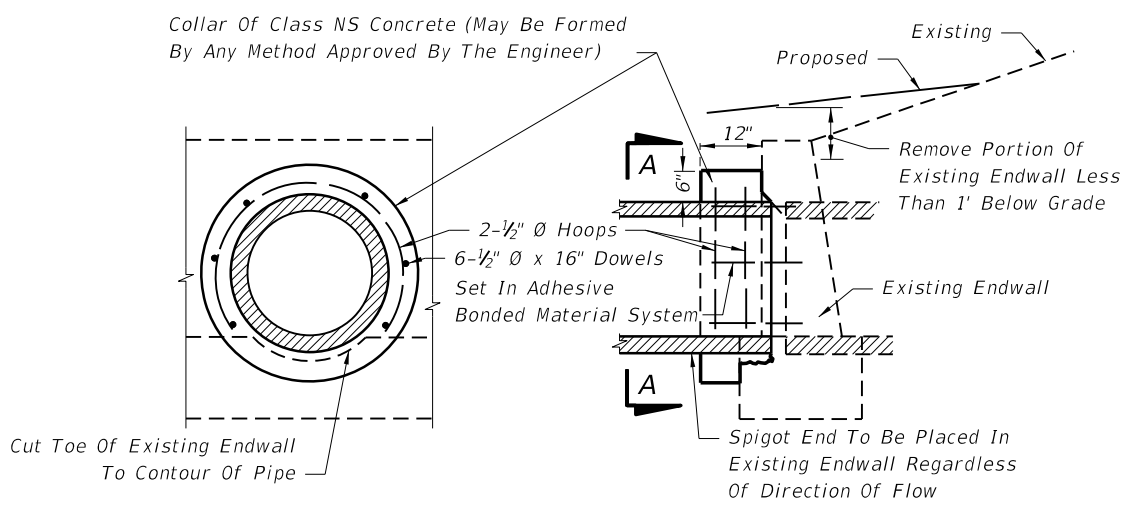
LAST REVISION 07/01/12	REVISION	DESCRIPTION:	 <p><b>FDOT 2014 DESIGN STANDARDS</b></p>	<p><b>SIDE DRAIN MITERED END SECTION</b></p>	<p>INDEX NO. <b>273</b></p>	<p>SHEET NO. <b>7 of 7</b></p>
---------------------------	----------	--------------	--	--	---------------------------------	------------------------------------

**SCHEDULE OF BELL REINFORCEMENT**  
Classes II,III,IV,V; Wall A,B,C

Nominal Pipe Diameter	Design Bell Reinforcement in <sup>2</sup> per foot	Maximum Reinforcement Under Tolerance in <sup>2</sup> per foot
15"	0.07	0.010
18"	0.07	0.010
24"	0.09	0.010
30"	0.12	0.010
36"	0.14	0.010
42"	0.16	0.010
48"	0.19	0.011
54"	0.21	0.012
60"	0.23	0.0135
66"	0.26	0.015
72"	0.28	0.0165
78"	0.30	0.018
84"	0.33	0.0195
90"	0.35	0.021
96"	0.37	0.0225
102"	0.40	0.024
108"	0.42	0.0255

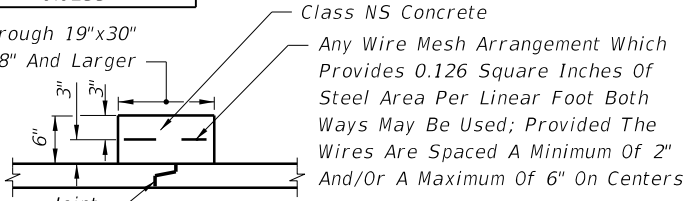


**ROUND RUBBER GASKET SHOWN  
DETAIL OF BELL & SPIGOT CONCRETE PIPE JOINT  
USING ROUND OR PROFILE RUBBER GASKET**

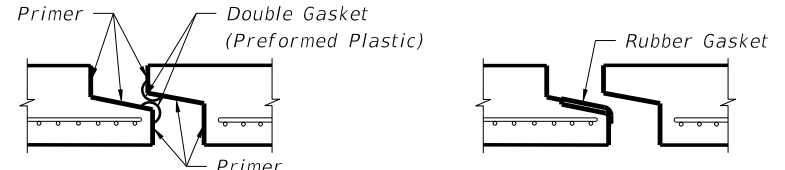


**SECTION AA LONGITUDINAL SECTION**  
Note: Cost for removal and disposal of portions of top and toe of existing endwall and cost of concrete, reinforcing steel and construction of collar to be included in the contract unit price for pipe culvert.

**CONCRETE COLLAR FOR EXTENSION OF EXISTING PIPE CULVERTS**



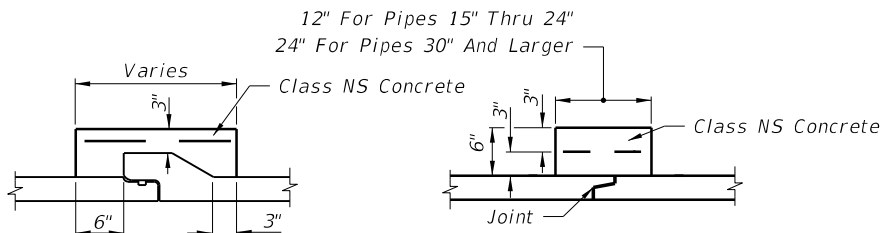
**CONCRETE JACKET**



**PREFORMED PLASTIC JOINT PROFILE RUBBER GASKET**  
(BEFORE PULL-UP) (BEFORE PULL-UP)

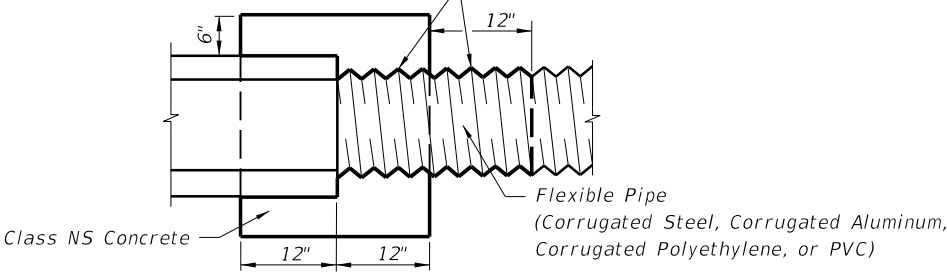
Cost of concrete jacket or filter fabric jacket to be included in cost of elliptical concrete pipe culverts.

**ELLIPTICAL CONCRETE PIPE JOINTS**



**BELL AND SPIGOT TONGUE & GROOVE DISSIMILAR JOINTS**

Bituminous Coating Required For CMP (Any Suitable Bituminous Material May Be Field Applied) Bituminous Coating To Extend 12" Beyond Concrete Collar



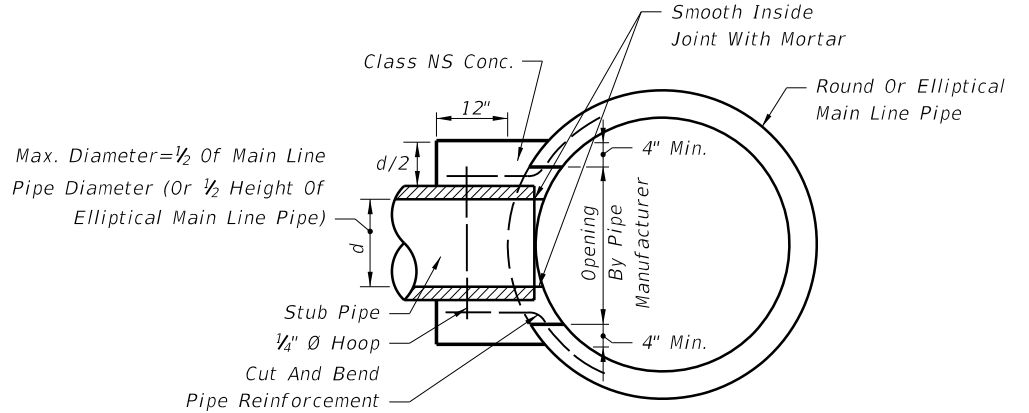
Note: Cost of concrete and bituminous coating to be included in contract unit price for either new pipe or Mitered End Section.

Alternate connection must be approved by the State Drainage Engineer.

- A concrete jacket shall not be used to join:  
a) metal pipe of dissimilar materials  
b) flexible pipe when the minimum cover required in accordance with Index No. 205 cannot be obtained

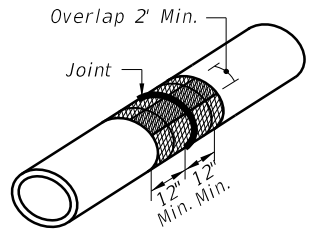
**DISSIMILAR TYPES**

**CONCRETE JACKET FOR CONNECTING DISSIMILAR TYPES OF PIPE AND CONCRETE PIPES WITH DISSIMILAR JOINTS**

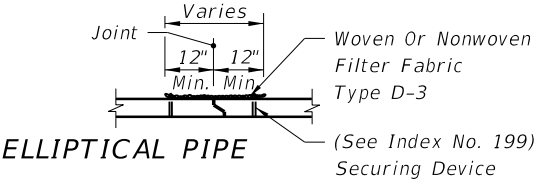


Cost of concrete and steel to be included in contract unit price for pipe culvert.

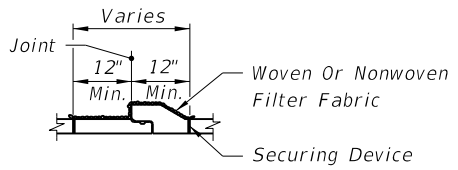
**CONCRETE COLLAR FOR JOINING MAINLINE PIPE AND STUB PIPE**



**ELLIPTICAL PIPE SHOWN ISOMETRIC VIEW**



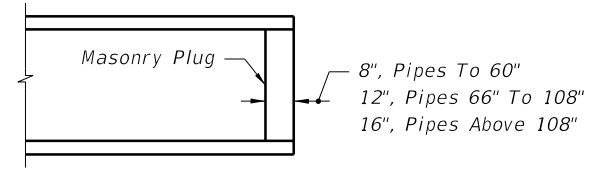
**ELLIPTICAL PIPE**



**ROUND PIPE PIPE SECTIONS**

Cost of filter fabric jacket to be included in cost of pipe culverts.

**FOR ALL PIPE TYPES - CONCRETE PIPE SHOWN FILTER FABRIC JACKET**

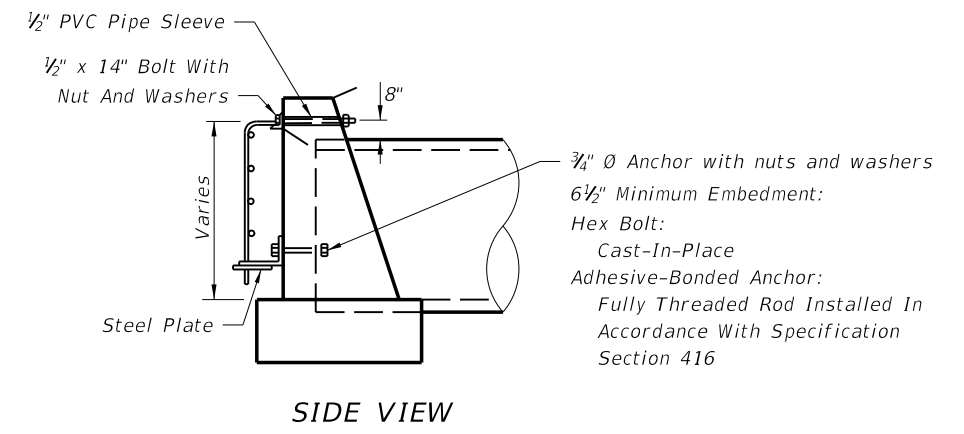
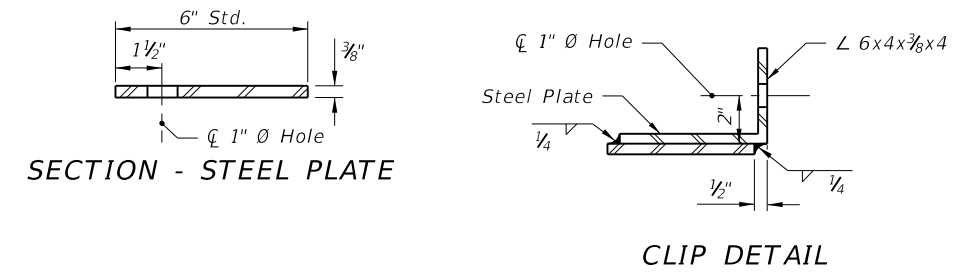
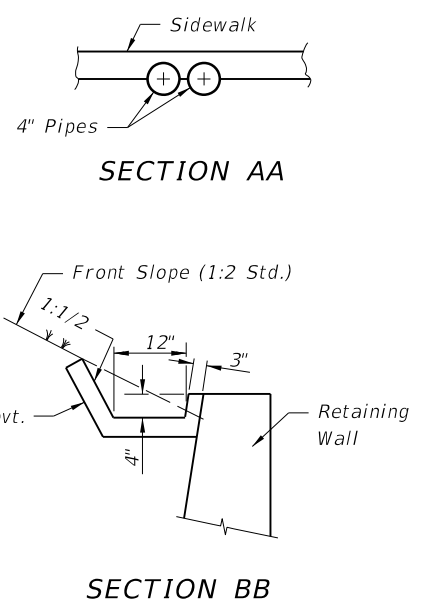
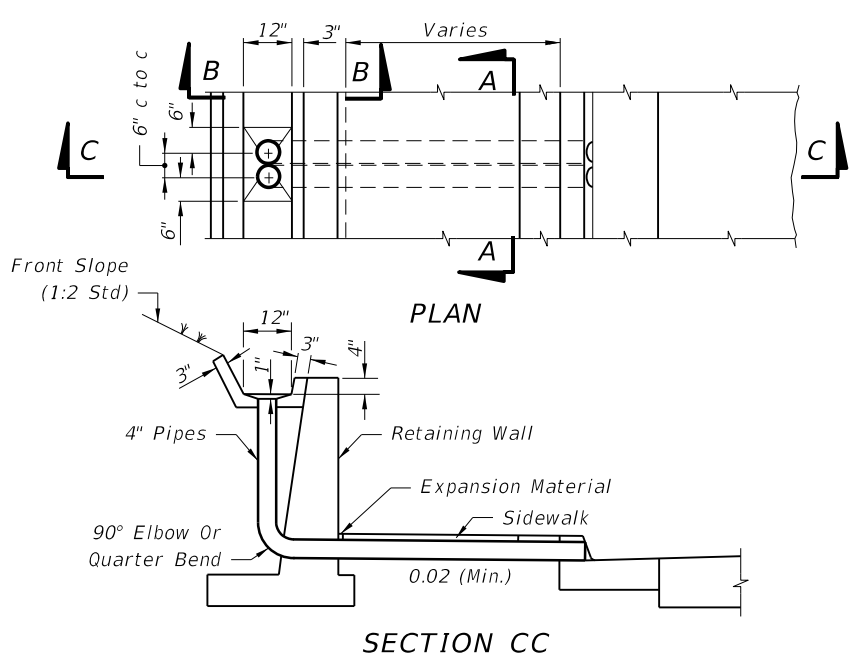


Note: Unless otherwise called for in the plans, the cost of plugging pipes to be included in contract unit price for new pipe.

**PIPE PLUG**

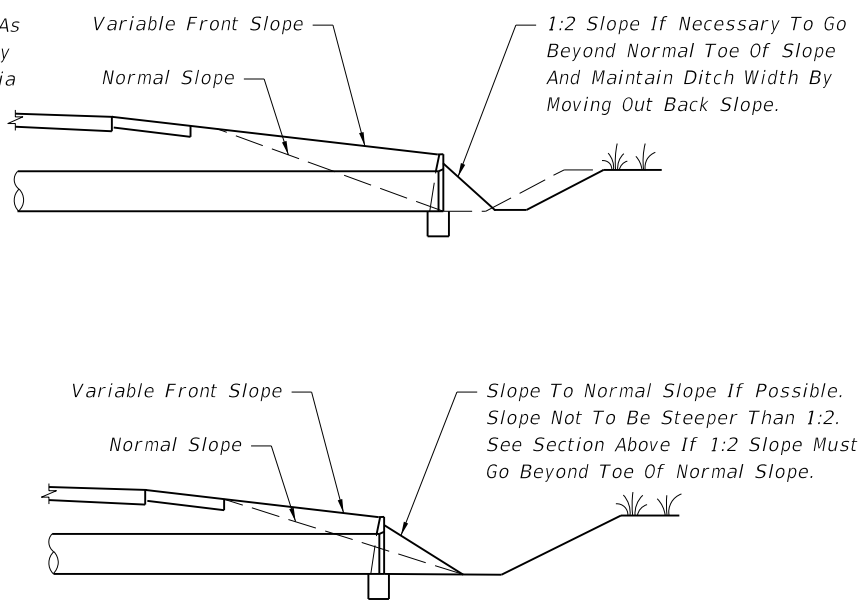
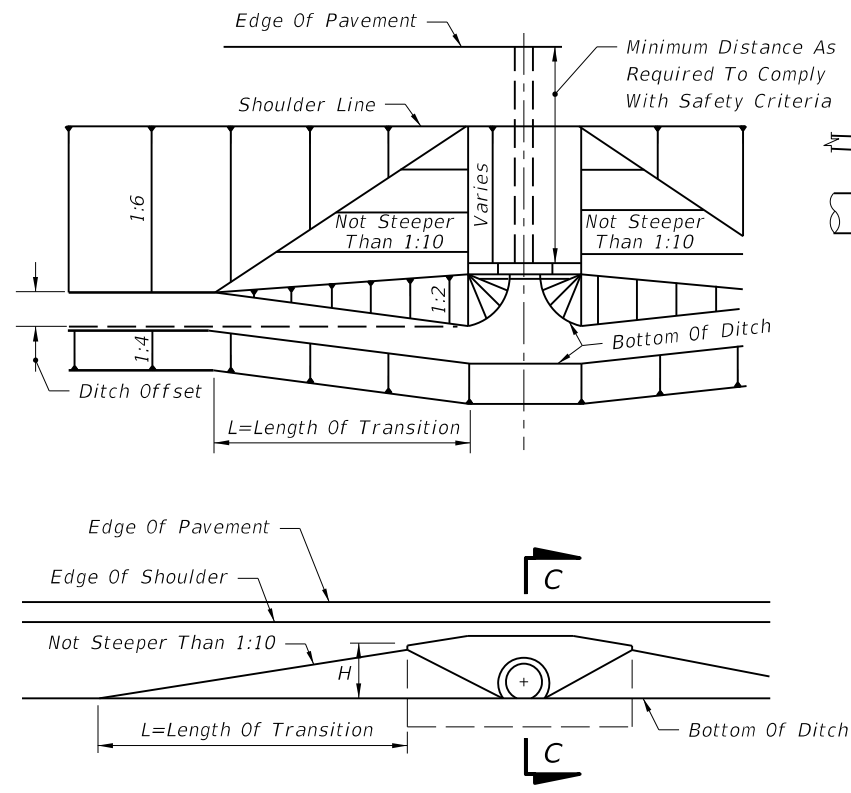
C:\projects\standards\roadway\02200-s\02280-01.dgn smg70re 3:21:09 PM 6/24/2013

C:\projects\standards\roadway\02200-s\02280-02.dgn  
 sm970re  
 3:21:11 PM  
 6/24/2013



**CONCRETE GUTTER AND DRAINS AT RETAINING WALLS**

Note: PVC pipe, Schedule 40, to be paid for under the contract unit price for Polyvinyl Chloride Pipe Culvert (4"), LF.

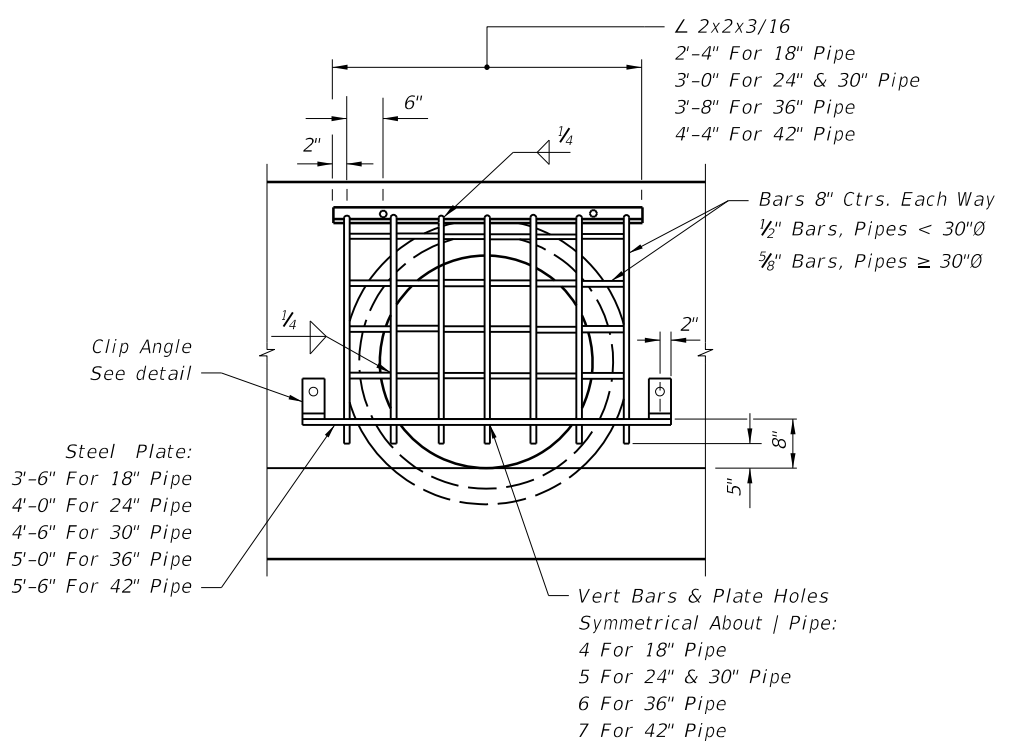


NOTE: Filling or excavation of variable slopes to be done during normal grading operations.

**SECTION CC**

Use Larger Value Of Either:  
 1.  $L=10 \times H$  (No Maximum)  
 2.  $L=10 \times \text{Ditch Offset}$  (Maximum  $L=100'$ )

**METHOD FOR SETTING LIMITS OF VARIABLE FRONT SLOPES AT DRAINAGE STRUCTURES**



Pipe Dia.	18"	24"	30"	36"	42"
Grate (Lbs.)	48	58	74	90	111

**FRONT VIEW**

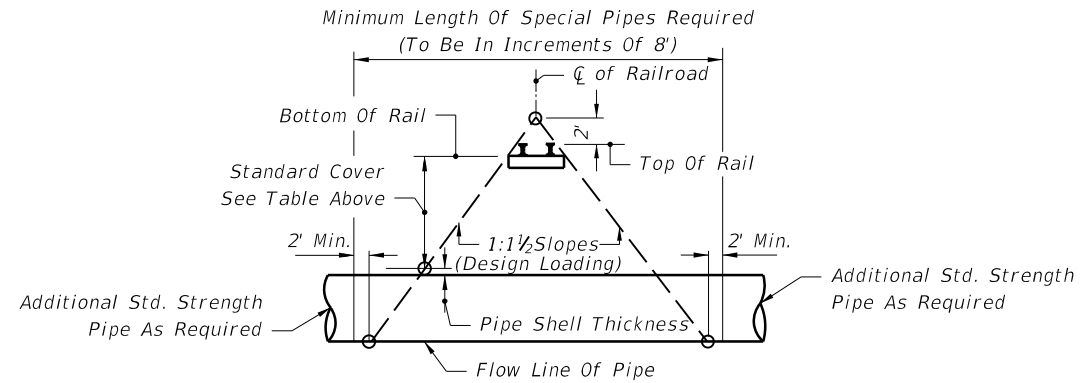
Note: Guards to be constructed only at locations specifically called for in plans. Guard, plate & clips, bolts, nuts and sleeves to be included in the contract unit price for Reinforcing Steel (Miscellaneous).

**GUARD AT PIPE ENDS**

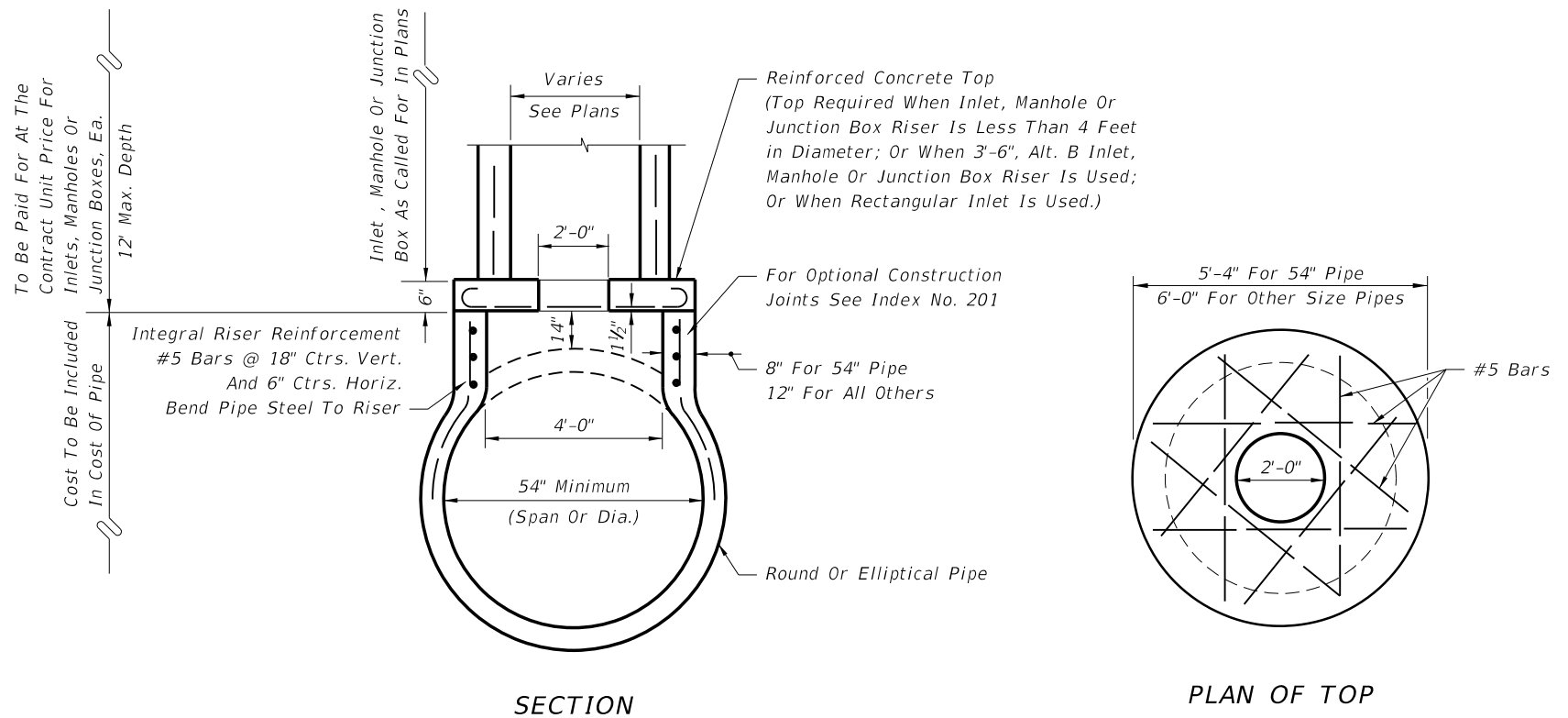
RAILROAD COMPANY	CLEARANCE BELOW BOTTOM OF RAIL (FEET) <sup>(2)</sup>	STRENGTH
		ASTM (C76) CLASS
Alabama & Gulf Coast Railway (Rail America)	5.5	IV
AN Railway & Bay Line Railroad (Genesee & Wyoming)	5.5 / 4.5 <sup>(1)</sup>	V
CSX Transportation	5.5	V
First Coast Railroad (Genesee & Wyoming)	5.5 / 4.5 <sup>(1)</sup>	V
Florida Midland, Central, and Northern Railroads (Pinsly Railroad)	5.5	V
Florida East Coast (FEC) Railway Company	5.5	IV
Florida West Coast Railroad Company	5.5	V
Georgia & Florida Railway, Inc.	5.5	V
Norfolk Southern (NS) Railway Corporation	5.5 / 4.5 <sup>(1)</sup>	V
Port of Palm Beach District Railroad	5.5	IV
Seminole Gulf Railway (LP)	6.0	V
South Central Florida Express	6.0	V
Talleyrand Terminal Railroad (Genesee & Wyoming)	5.5 / 4.5 <sup>(1)</sup>	V
South Florida Regional Transportation Authority (Tri-County Commuter Rail)	5.5	V

(1) - Distance standard for yard and industrial tracks.

(2) - Clearance is for casing pipe. All subgrade carrier pipelines and wirelines will be installed within a casing pipe which will extend from Right-of-Way line to Right-of-Way line.



**METHOD FOR DETERMINING THE LENGTH OF SPECIAL PIPE REQUIRED UNDER RAILROADS**



**INLETS, MANHOLES OR JUNCTION BOXES ON INTEGRAL PRECAST CONCRETE RISER FOR CONCRETE PIPE**

C:\projects\standards\roadway\00200-s\00280-03.dgn

sm970re

3:21:13 PM

6/24/2013

LAST REVISION  
07/01/07

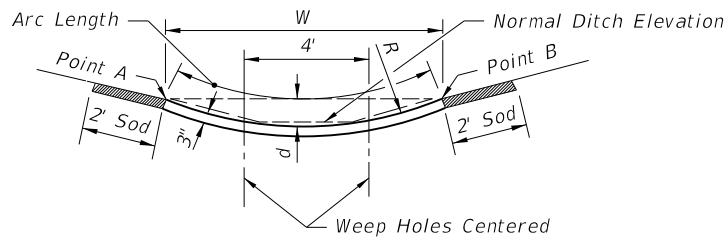
DESCRIPTION:

FDOT 2014 DESIGN STANDARDS

MISCELLANEOUS DRAINAGE DETAILS

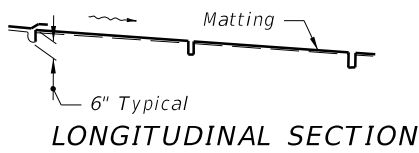
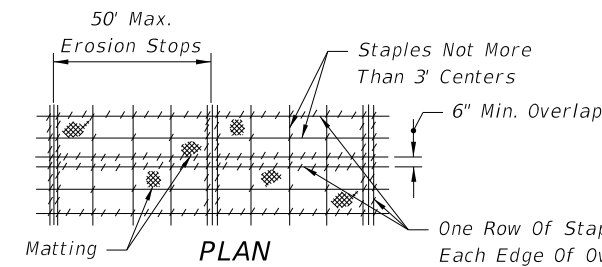
INDEX NO.  
280

SHEET NO.  
3 of 3

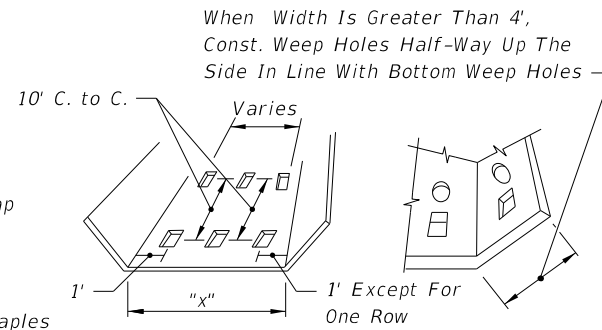


TO REPLACE:	W	d	R	Rows Of Weep Holes	Arc Length
6' Median Swale	6'	0.24'	19'	0	6.0'
<b>1:6 Front Slopes; 1:4 Back Slope</b>					
5' BW Ditch	10'	0.67'	19'	2	10.1'
4' BW Ditch	9'	0.54'	19'	2	9.1'
<b>1:4 Front Slopes &amp; Back Slope</b>					
5' BW Ditch	9'	0.74'	14'	2	9.2'
4' BW Ditch	8'	0.58'	14'	1 (in center)	8.1'

For use only where side slopes are 1:4 or flatter. Point "A" and "B" are to be the same elevation and should be used to locate the paved section.



SECTION MATTING FOR DITCH

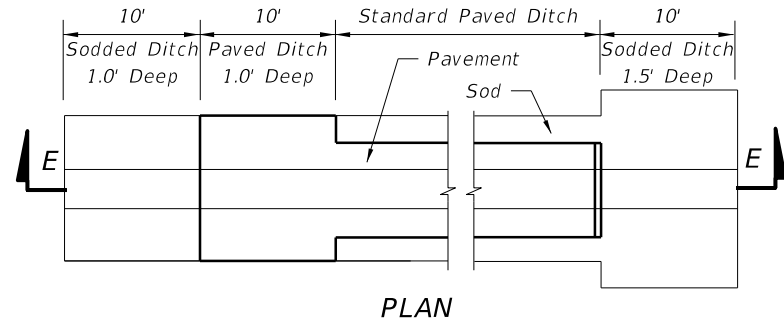
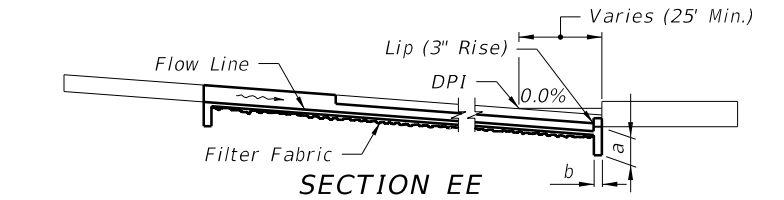


When Width Is Greater Than 4', Const. Weep Holes Half-Way Up The Side In Line With Bottom Weep Holes

When "x" = 1' To 4' Const. 1 Row (Centered)  
 "x" = 5' To 7' Const. 2 Rows  
 "x" = 8' To 12' Const. 3 Rows  
 "x" = 13' To 17' Const. 4 Rows  
 "x" = 18' To 22' Const. 5 Rows

Note: All weep holes to be 3"x4" rectangle or 4" or 5" dia. circle hole. 1/2 cu. ft. (12" x 12" x 6") of No. 6 aggregate to be placed under each hole. 1 sq. ft. of galv. wire mesh (1/4" openings) shall be placed between the aggregate and the concrete. Cost of holes, aggregate and wire mesh to be included in the cost of ditch pavement.

WEEP HOLE ARRANGEMENT

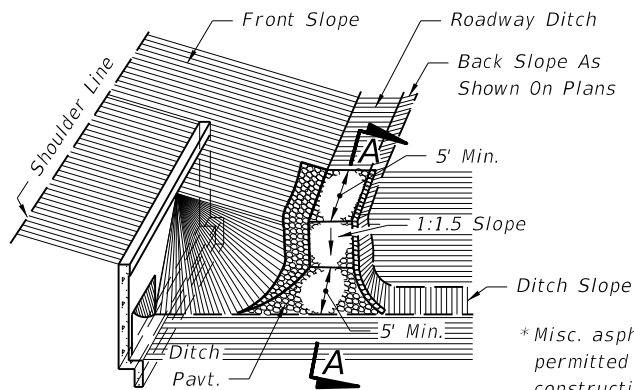


PAVED DITCH END TREATMENT

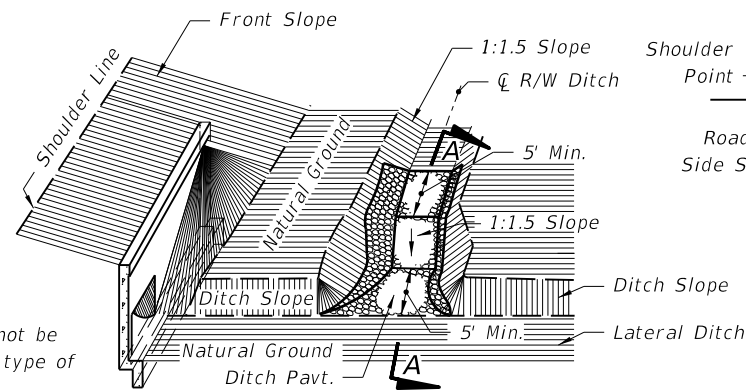
GENERAL NOTES

- Type of ditch pavement shall be as shown on plans.
- In concrete ditch pavement, contraction joints are to be spaced at 25' maximum intervals, or as directed by the Engineer. Contraction joints may be either formed (construction joint) or tooled. No open joints will be permitted in concrete ditch pavement.  
  
Expansion joints with 1/2" preformed joint filler shall be constructed at all inlets, endwalls, and at intervals of not more than 200'.
- Lip at end of ditch pavement shall normally be located downstream of DPI or on flatter grades where there is a decrease in ditch velocity.
- Toewalls are to be used with all ditch paving. A toewall is not required adjacent to drainage structures.
- When directed by the Engineer, weep hole spacing may be reduced to 5' minimum.
- For junction of R/W ditch spillway and lateral ditch, sides of paving to be 1' high minimum.
- For ditch pavements requiring filter fabric, the fabric shall be placed directly beneath the pavement for the entire length and width of the pavement. When weep holes with aggregate are used, the filter fabric shall be placed below the aggregate to form a mat continuous with or underlapping the pavement fabric. (See Index No. 199 for fabric type and application).
- Ditch pavement requiring reinforcement shall be detailed in the plan.
- Cost of plastic filter fabric to be included in the contract unit price for ditch pavement.
- Sodding to be paid for under contract unit price for Performance Turf, SY

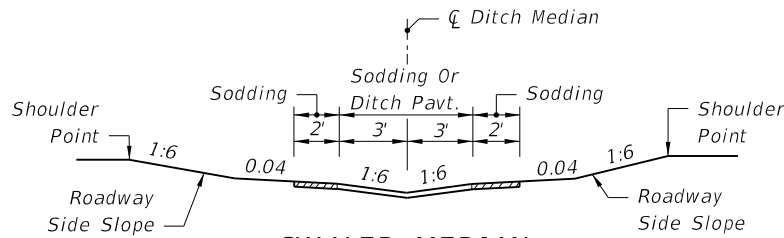
ALTERNATE DITCH PAVEMENT



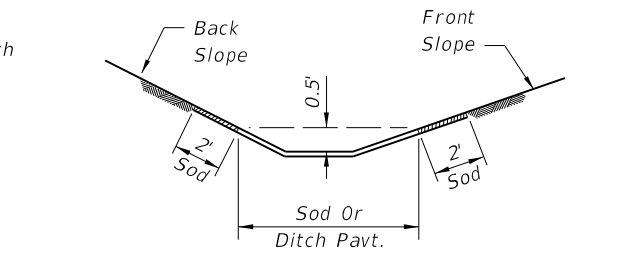
JUNCTION OF ROADWAY DITCH\* AND LATERAL DITCH



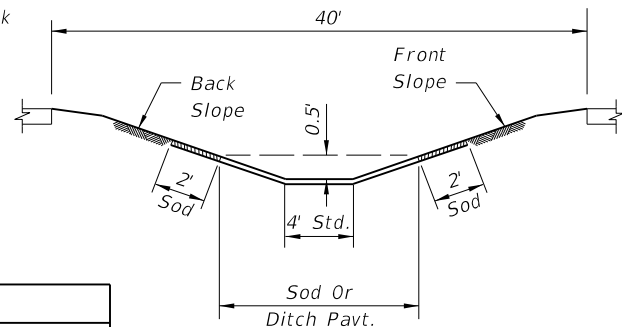
JUNCTION OF R/W DITCH\* AND LATERAL DITCH



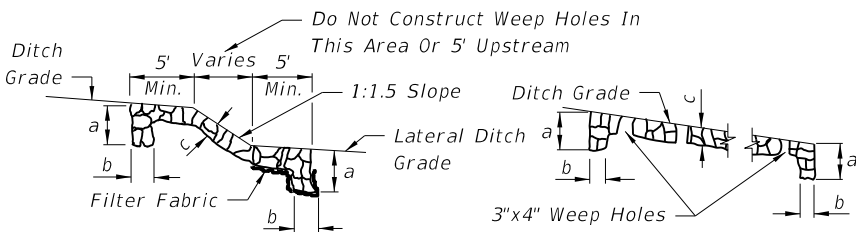
SWALED MEDIAN (No Weep Holes)



ROADWAY SIDE DITCH

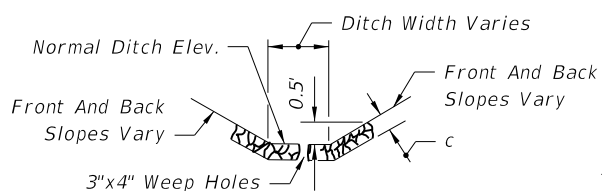


40' MEDIAN



SECTION AA

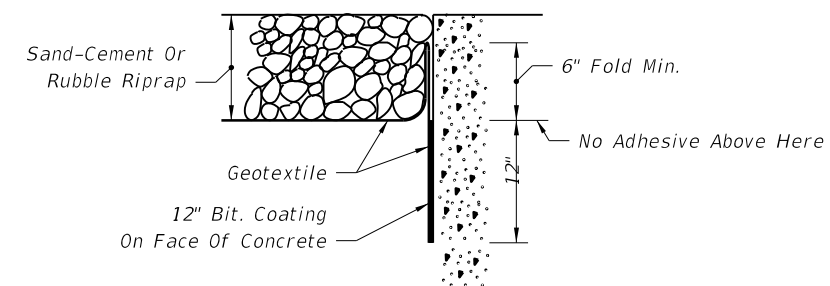
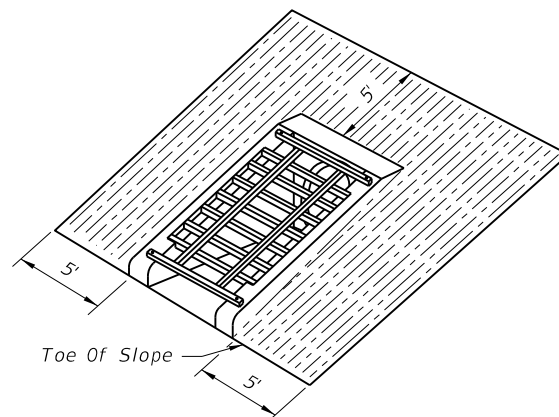
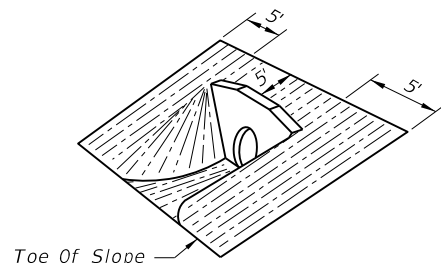
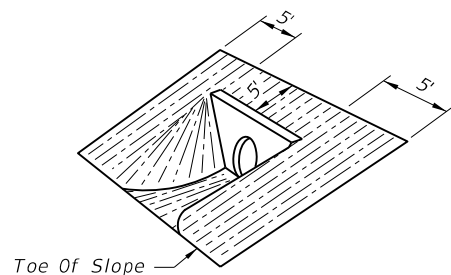
PROFILE OF DITCH PAVEMENT AT LOCATIONS OTHER THAN JUNCTION WITH LATERAL DITCH



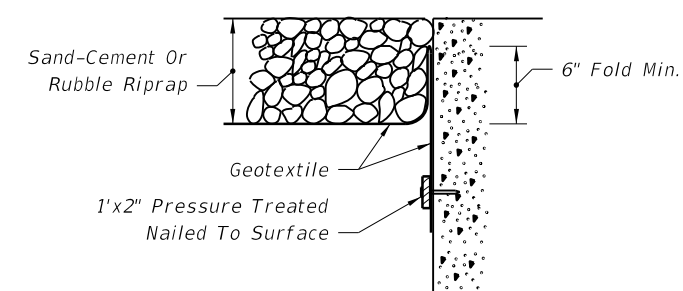
TYPICAL SECTION

Pavement Type	Dimensions			Payment Unit	Basis Of Estimate	Filter Fabric Type	Velocity Range	References & Remarks
	a	b	c					
Concrete	24"	6"	3"	SY	SY	D-6	Low-High	Section 524 of the Standard Specifications.
Miscellaneous Asphalt	24"	12"	4"	TN	0.2 TN/SY	None	Low-Moderate	Section 339.
Riprap (Sand-Cement)	24"	12"	4"	CY	0.11 CY/SY	D-4	Low-Moderate	Section 530. Grouting of joints required.
Riprap (Ditch Lining)				TN	TN	D-2	Moderate-High	Section 530.

C:\projects\standards\roadway\02200-s-00281-01.dgn smg70re 3:21:14 PM 6/24/2013



BONDED OPTION



NAILED OPTION

Note: Either option may be used unless otherwise called for in the plans.

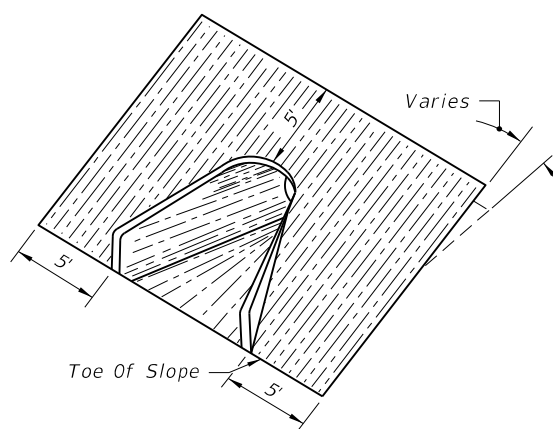
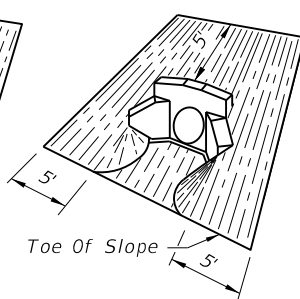
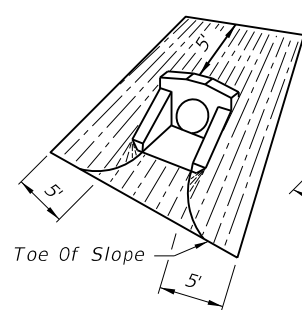
GEOTEXTILE PLACEMENT AT CONCRETE STRUCTURE

Note: Sodding quantities for each endwall to be determined by the designer from this detail.

(EXCEPT INDEX NO. 250)  
STRAIGHT ENDWALL

STRAIGHT ENDWALL  
INDEX NO. 250

U-TYPE ENDWALL  
INDEX NO. 261



U-TYPE WINGS

45° WINGS

WINGED ENDWALLS  
INDEX NO. 266

FLARED END SECTION  
INDEX NO. 270

SOD QUANTITIES (SY)

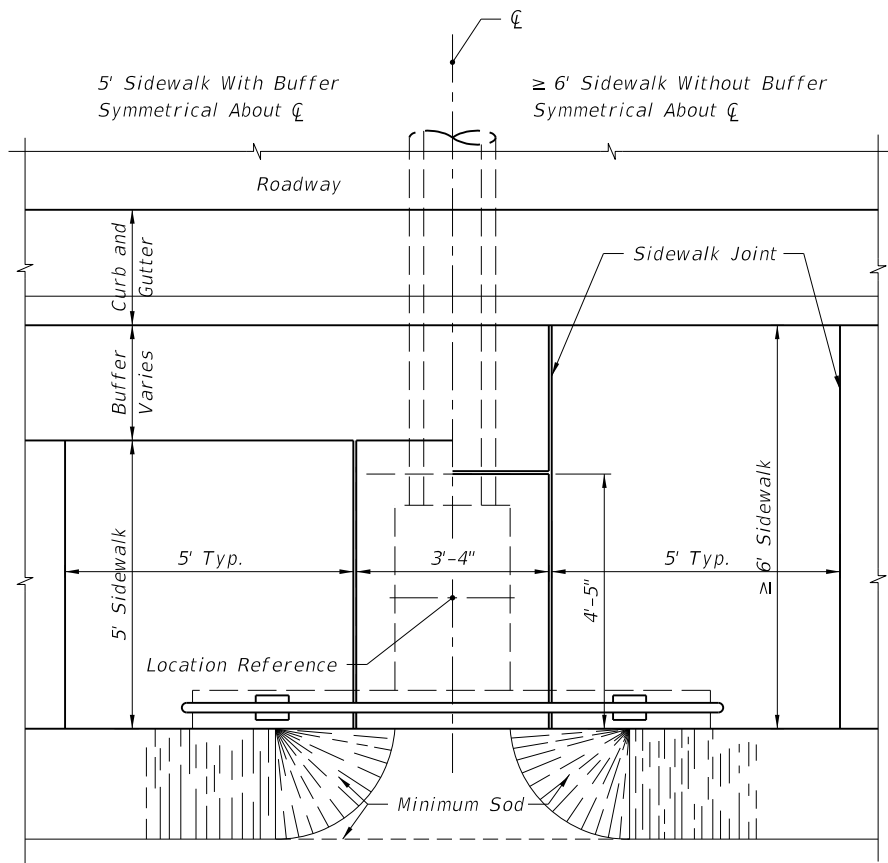
PIPE SIZE	INDEX NO. 250												INDEX NO. 261				INDEX NO. 266				INDEX NO. 270		
	SLOPE												SLOPE				SLOPE				ALL SLOPES		
	1:2			1:3			1:4			1:6			1:2			1:3	1:4	1:6	PIPES				
	1	2	3	1	2	3	1	2	3	1	2	3	1	1	1	1	1	1		1	1	1	
12"																							10
15"	19	21	24	22	26	29	26	30	33	34	38	43	13 (15)	16	17	23	15	17	20	25			11
18"	21	24	27	25	29	33	30	34	38	39	44	50	14 (16)	17	19	25	16	18	22	28			11
21"																							12
24"	26	30	34	32	37	42	38	44	50	50	58	66	15 (17)	19	21	28	19	22	26	34			14
27"																							15
30"	31	37	42	39	46	53	46	55	63	62	74	85	17 (18)	21	24	32	21	25	30	40			16
36"	37	44	52	46	56	65	56	67	79	76	91	107					24	29	35	47			18
42"	43	53	62	55	67	79	67	82	96	91	111	132					27	32	39	54			19
48"	50	62	73	64	79	93	78	97	115	108	133	158					30	36	44	61			21
54"	57	71	85	74	92	110	91	113	136	126	157	188											21
60"																							22
66"																							25
72"																							26

(I) Endwall With Baffles

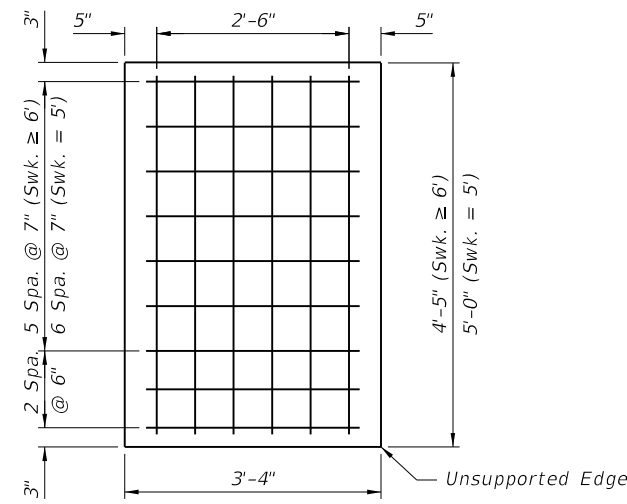
SOD

6/24/2013 3:21:16 PM sm970re C:\projects\standards\roadway\02200-s\02281-02.dgn

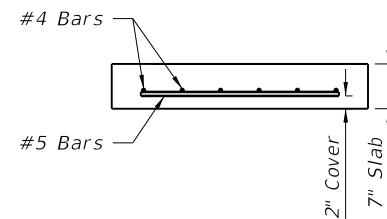




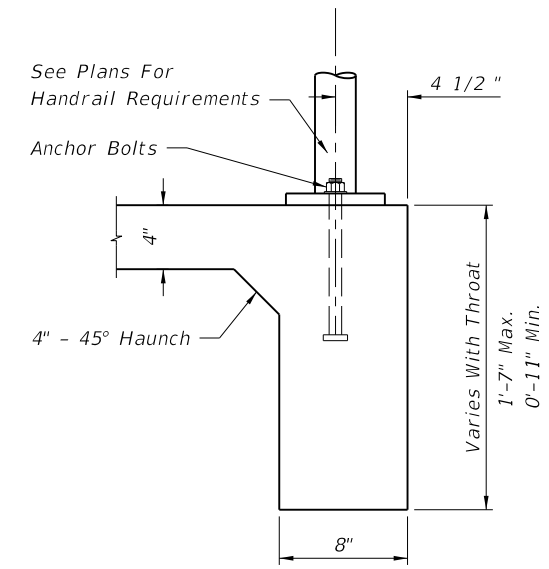
PLAN



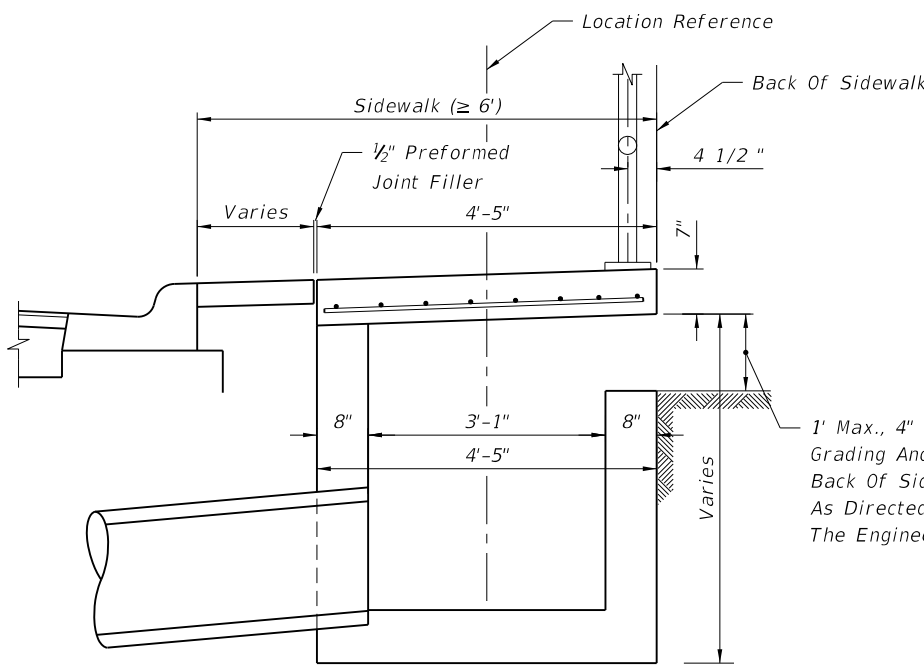
SLAB REINFORCEMENT



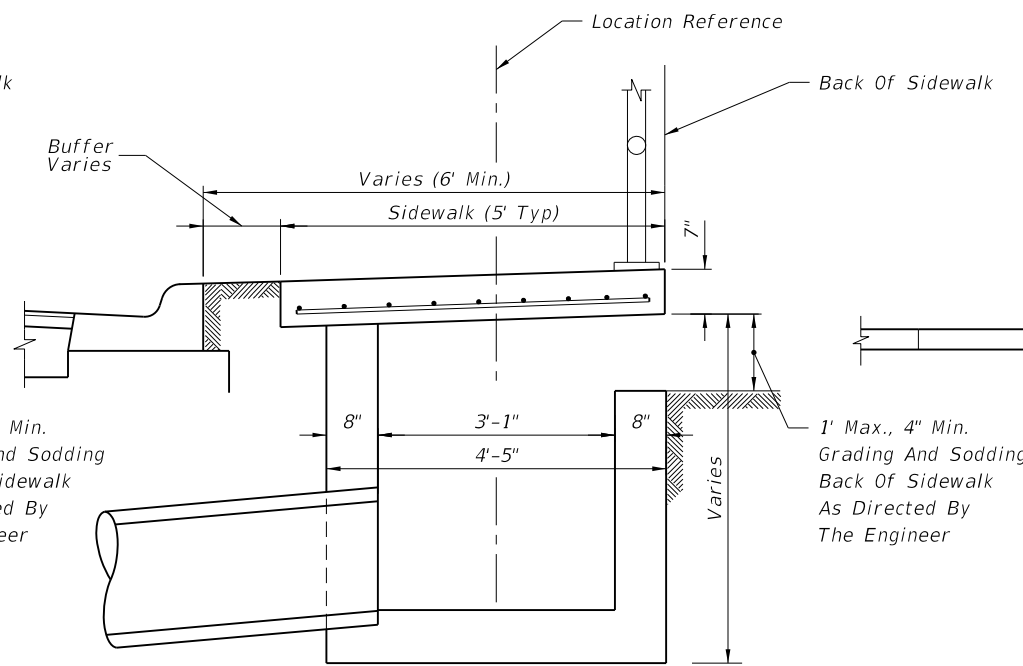
SLAB SECTION



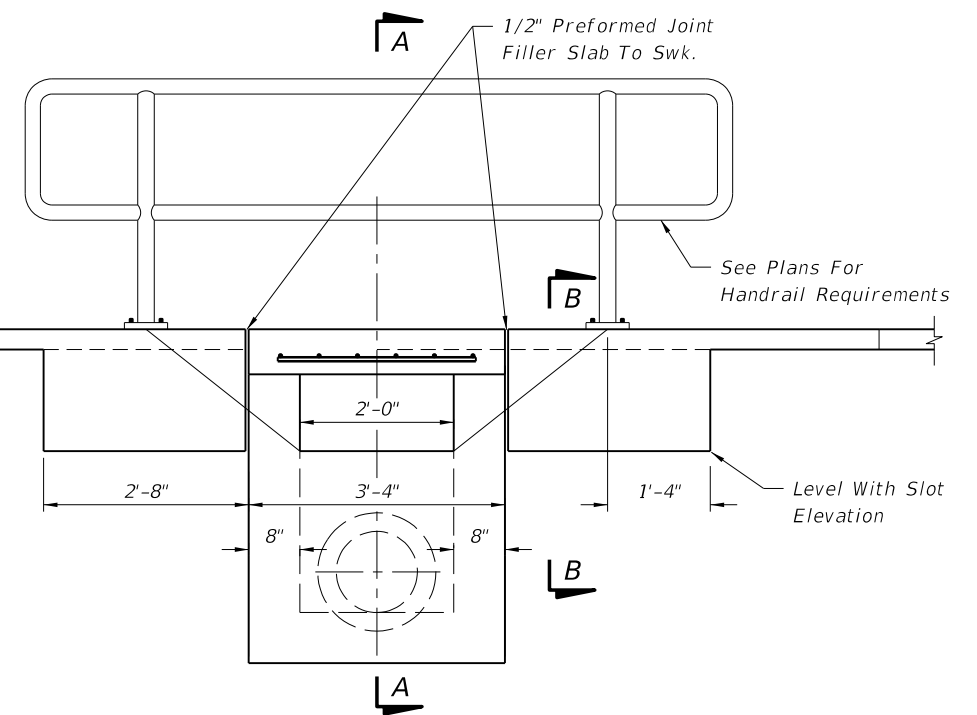
SECTION BB



≥ 6' SIDEWALK SECTION AA



5' SIDEWALK SECTION AA




FRONT ELEVATION

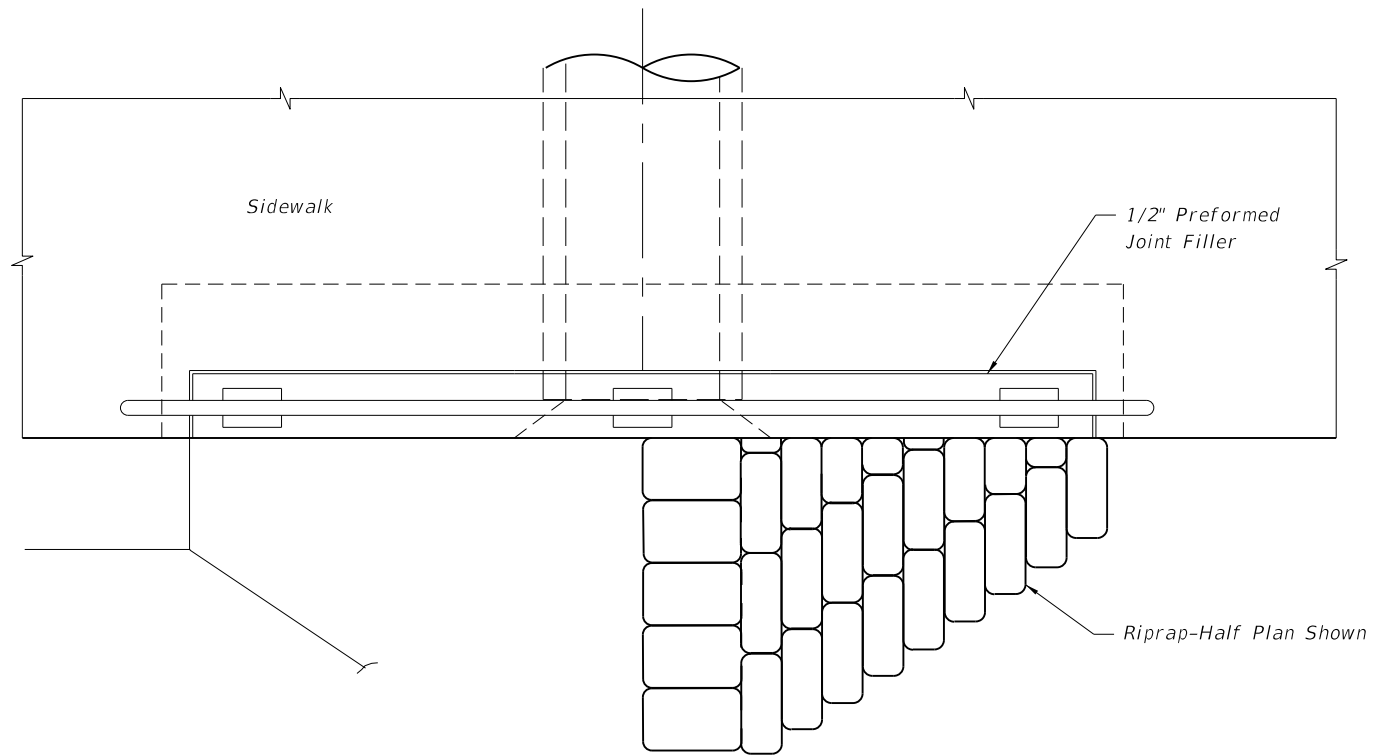
Notes:

1. For additional details see Index No. 232.
2. Inlet to be paid for under the contract unit price for Inlets (Ditch Bottom Type C Modified), EA. Handrail to be paid for under the contract unit price for Pipe Handrail, (Material), LF.

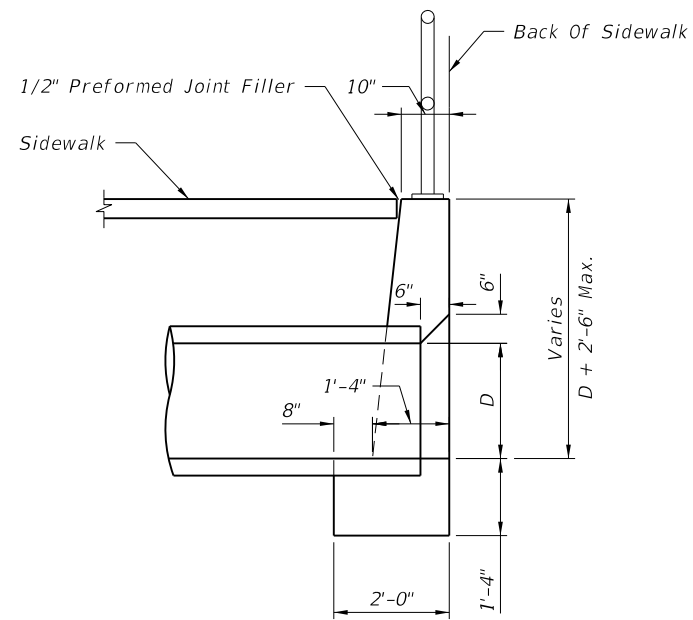
INLET TYPE C (MODIFIED)

6/24/2013 3:21:19 PM sm970re C:\projects\standards\roadway\02200-s\02282-01.dgn

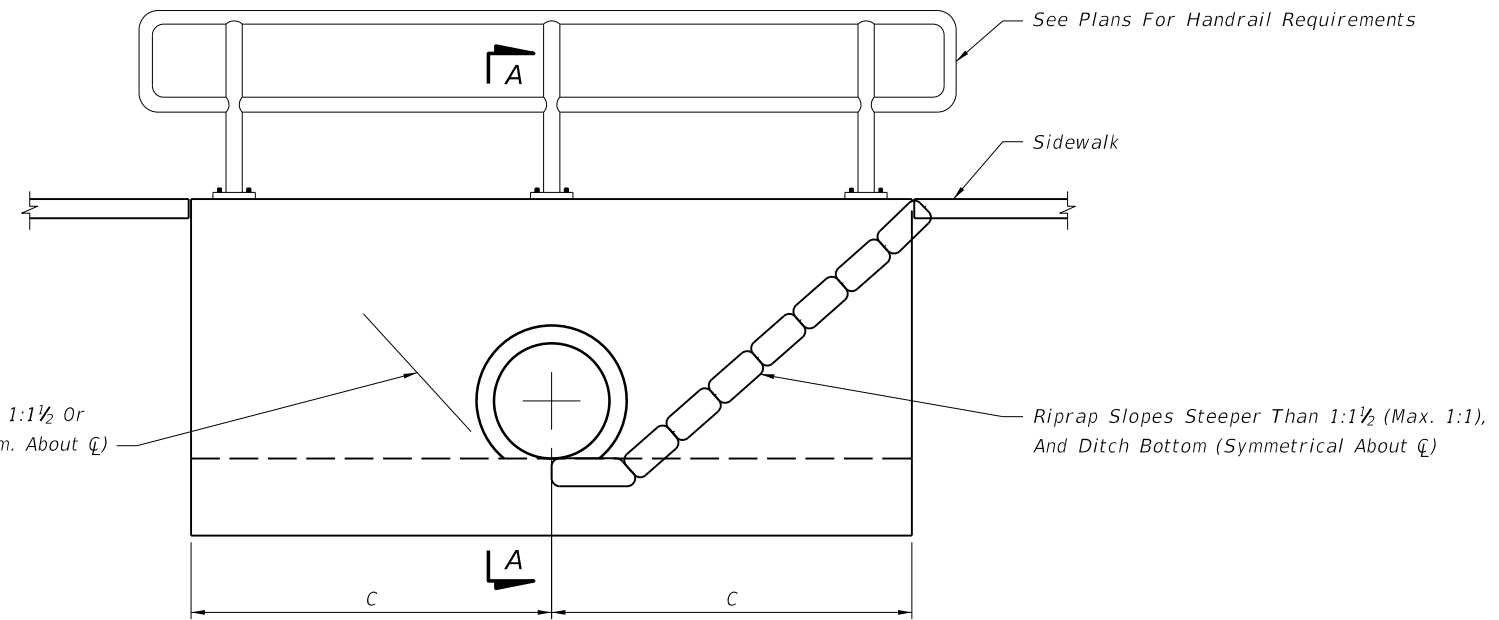
LAST REVISION	REVISION	DESCRIPTION:	 <p>FDOT 2014 DESIGN STANDARDS</p>	<p>BACK OF SIDEWALK DRAINAGE</p>	<p>INDEX NO. 282</p>	<p>SHEET NO. 1 of 3</p>
---------------	----------	--------------	---	----------------------------------	--------------------------	-----------------------------



PLAN



SECTION AA




FRONT ELEVATION

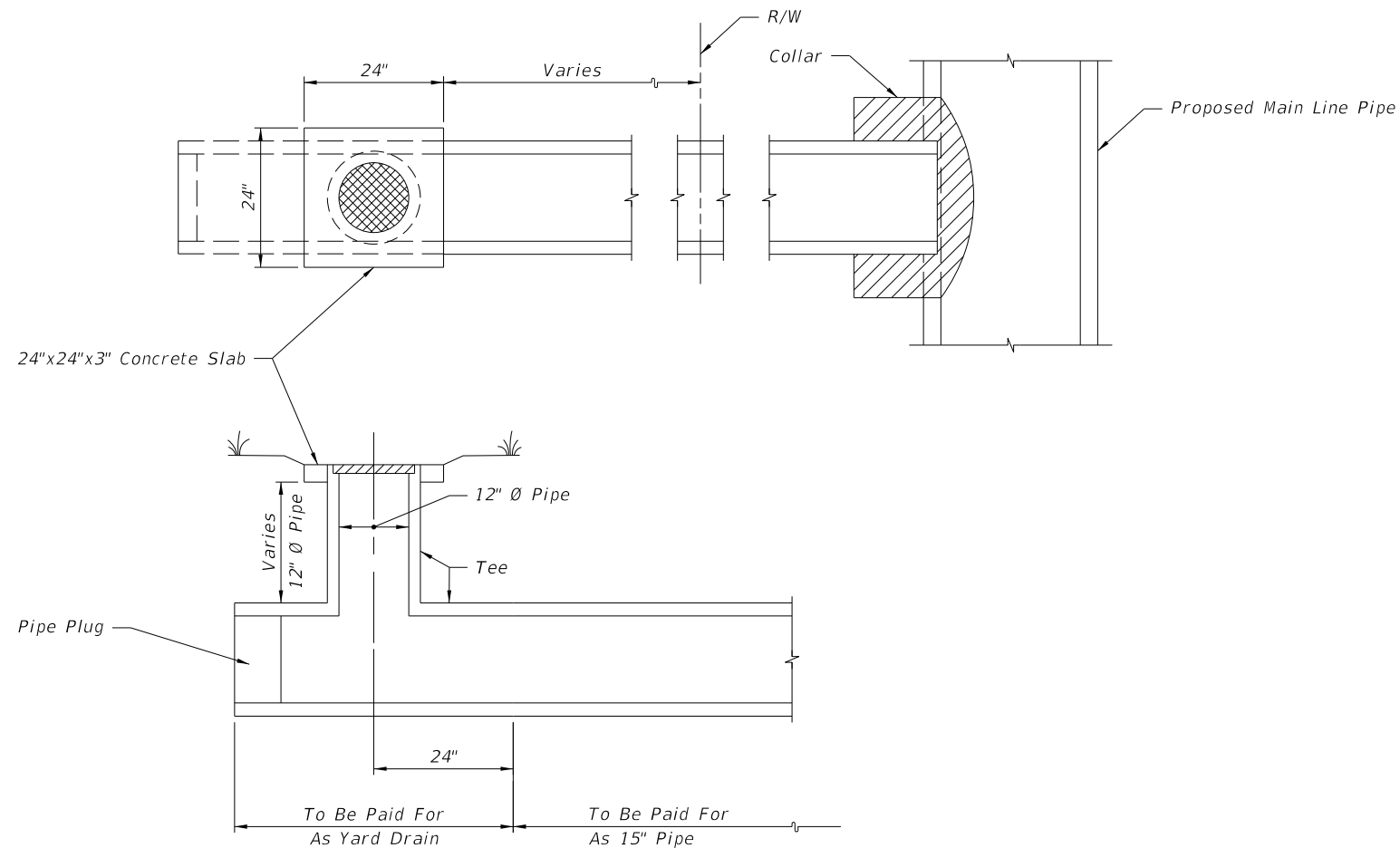
- Notes:
1. Maximum pipe size shall be 24" diameter.
  2. Grading back of sidewalk varies and shall be done as directed by the Engineer.
  3. Concrete quantities shown are for maximum wall heights, and shall be basis for estimate and payment.
  4. Riprap quantities shown are for estimate purposes only. Cost of riprap to be included in cost of the endwall.
  5. Endwalls to be paid for under the contract unit price for Concrete Class I (Endwalls), CY. Handrail to be paid for under the contract unit price for Pipe Handrail, (Material), LF.

Pipe Size (in)	C	Concrete Class I (CY)	Sand-Cement Riprap (CY)
15	4'-9"	2.3	1.1
18	5'-3"	2.6	1.3
24	6'-3"	3.3	1.8

SPECIAL CONCRETE ENDWALL

LAST REVISION 07/01/09	REVISION	DESCRIPTION:	 <p>FDOT 2014 DESIGN STANDARDS</p>	BACK OF SIDEWALK DRAINAGE	INDEX NO. 282	SHEET NO. 2 of 3
---------------------------	----------	--------------	---	---------------------------	------------------	---------------------

C:\projects\standards\roadway\0200-s\0202-02.dgn  
 sm970re  
 3:21:21 PM  
 6/24/2013



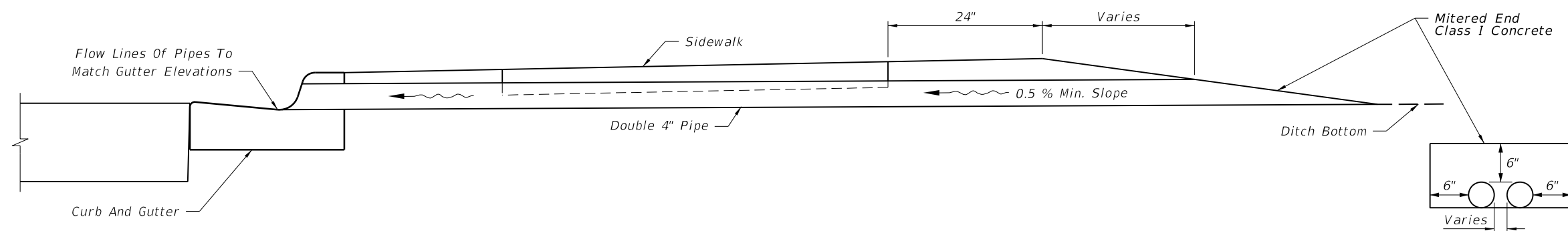
**YARD DRAIN ITEM INCLUDES:**

1. 15" x 15" x 12" Concrete or PVC Tee 4' long.
2. Grate diameter = 14-<sup>1</sup>/<sub>4</sub>"  
Thickness = 2-<sup>1</sup>/<sub>2</sub>"  
Flow area = 45 sq in min.  
Light Duty Cast Iron, see Specification Section 962.
3. 12" pipe as necessary.
4. 0.04 Cubic yards concrete for slab.

**YARD DRAINS**

**Notes:**

1. Yard drains to be located outside the R/W. Drainage area should not exceed 750 SF (grate flow 0.1 Cfs).
2. Yard drains may be constructed at the option of the property owner as shown on the plans.
3. Cost of plugs and collars to be included in the cost for 15" pipe. For collar and plug details see Index No. 280.
4. Yard drains to be paid for under the contract unit price for Yard Drains, EA.



**SHALLOW DITCHES**


**Notes:**

1. To be constructed at locations as directed by the Engineer.
2. Either cast iron pipe or PVC rigid conduit, U.L. listed for direct sunlight exposure, Schedule 40, may be used.
3. Pipe and Mitered End to be paid for under the contract unit price for either Cast Iron Soil Pipe (Standard) (4"), LF or PVC Pipe For Back Of Sidewalk Drainage (4"), LF.

**Note:**

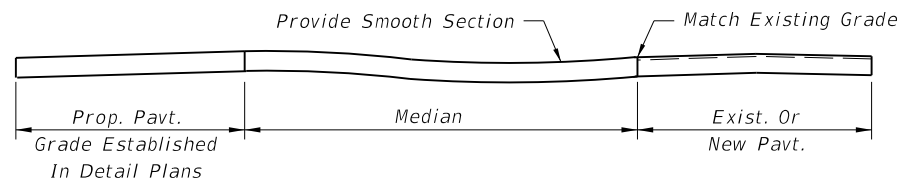
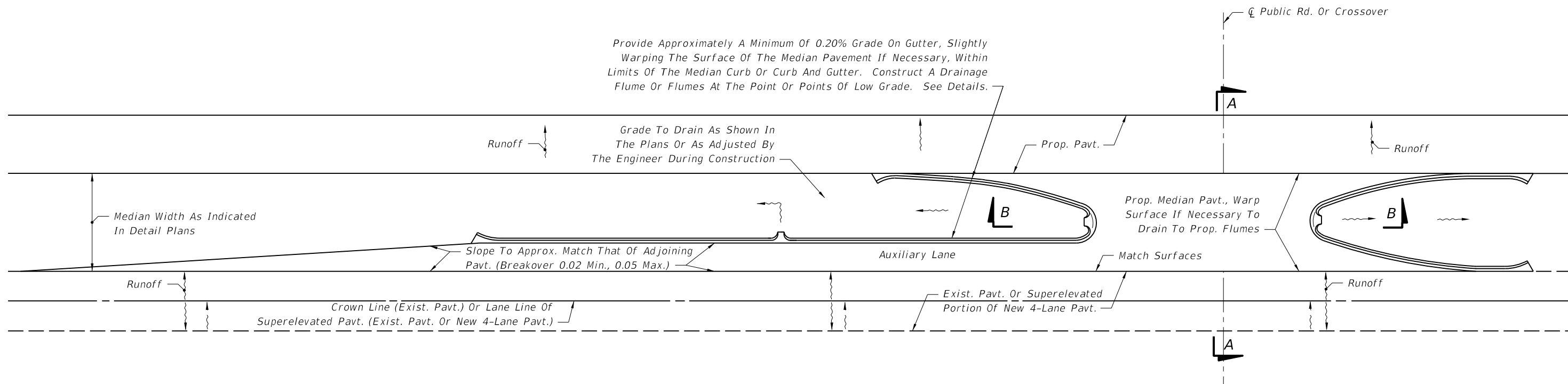
Miter to slope.

C:\projects\standards\roadway\0200-s\0282-03.dgn smg70re 3:21:23 PM 6/24/2013

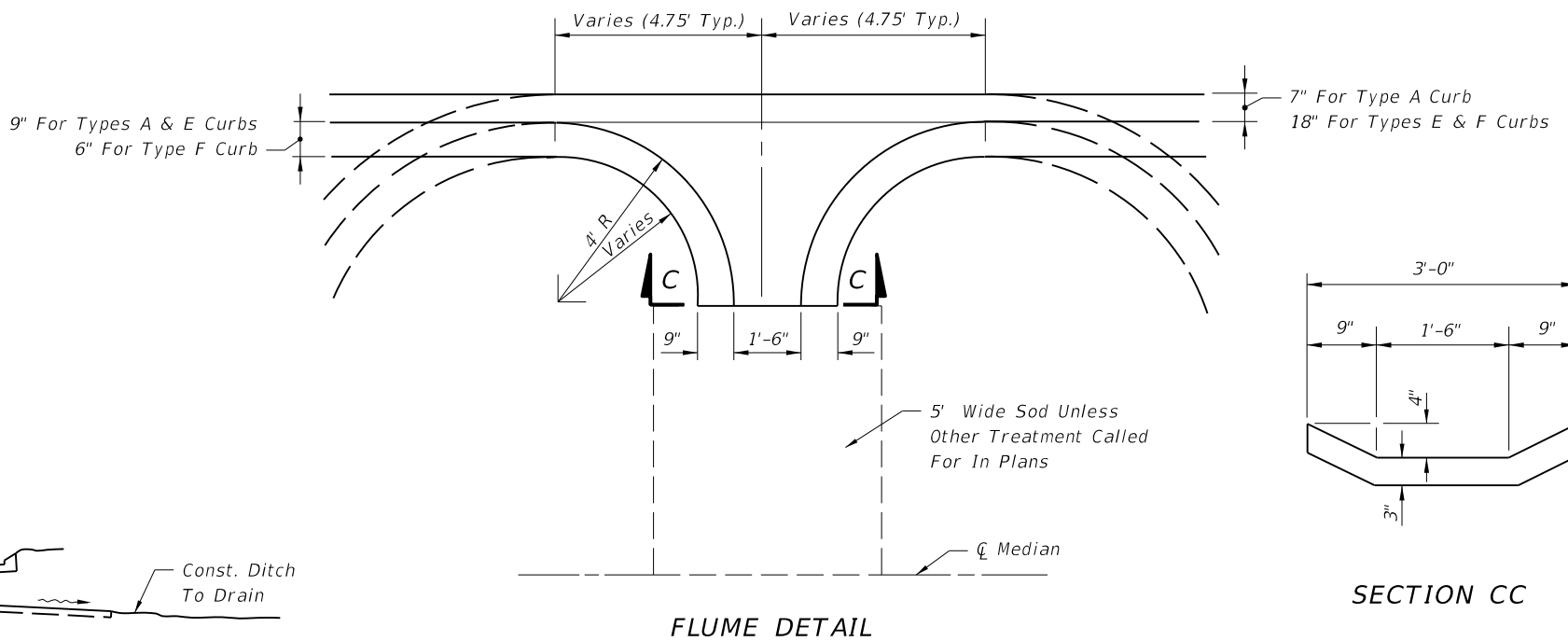
LAST REVISION 07/01/13	REVISION	DESCRIPTION:	 <p><b>FDOT 2014 DESIGN STANDARDS</b></p>	<p><b>BACK OF SIDEWALK DRAINAGE</b></p>	<p>INDEX NO. <b>282</b></p>	<p>SHEET NO. <b>3 of 3</b></p>
------------------------------	----------	--------------	--	---	-------------------------------------	--

Provide Approximately A Minimum Of 0.20% Grade On Gutter, Slightly Warping The Surface Of The Median Pavement If Necessary, Within Limits Of The Median Curb Or Curb And Gutter. Construct A Drainage Flume Or Flumes At The Point Or Points Of Low Grade. See Details.

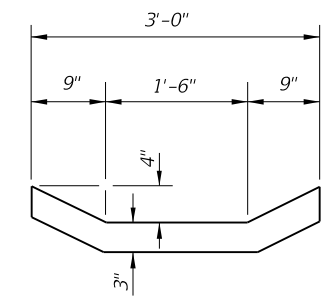
Grade To Drain As Shown In The Plans Or As Adjusted By The Engineer During Construction



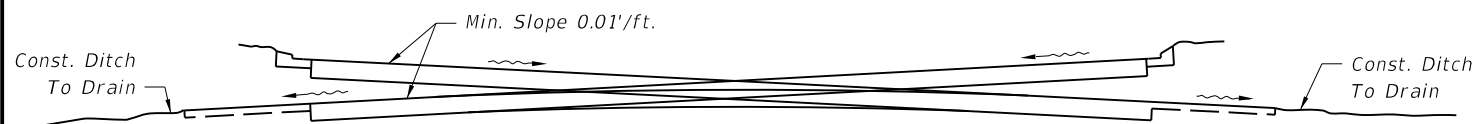
SECTION AA



FLUME DETAIL



SECTION CC




SECTION BB

(May Drain From Any Point Designated In the Plans Or As Adjusted By The Engineer During Construction)

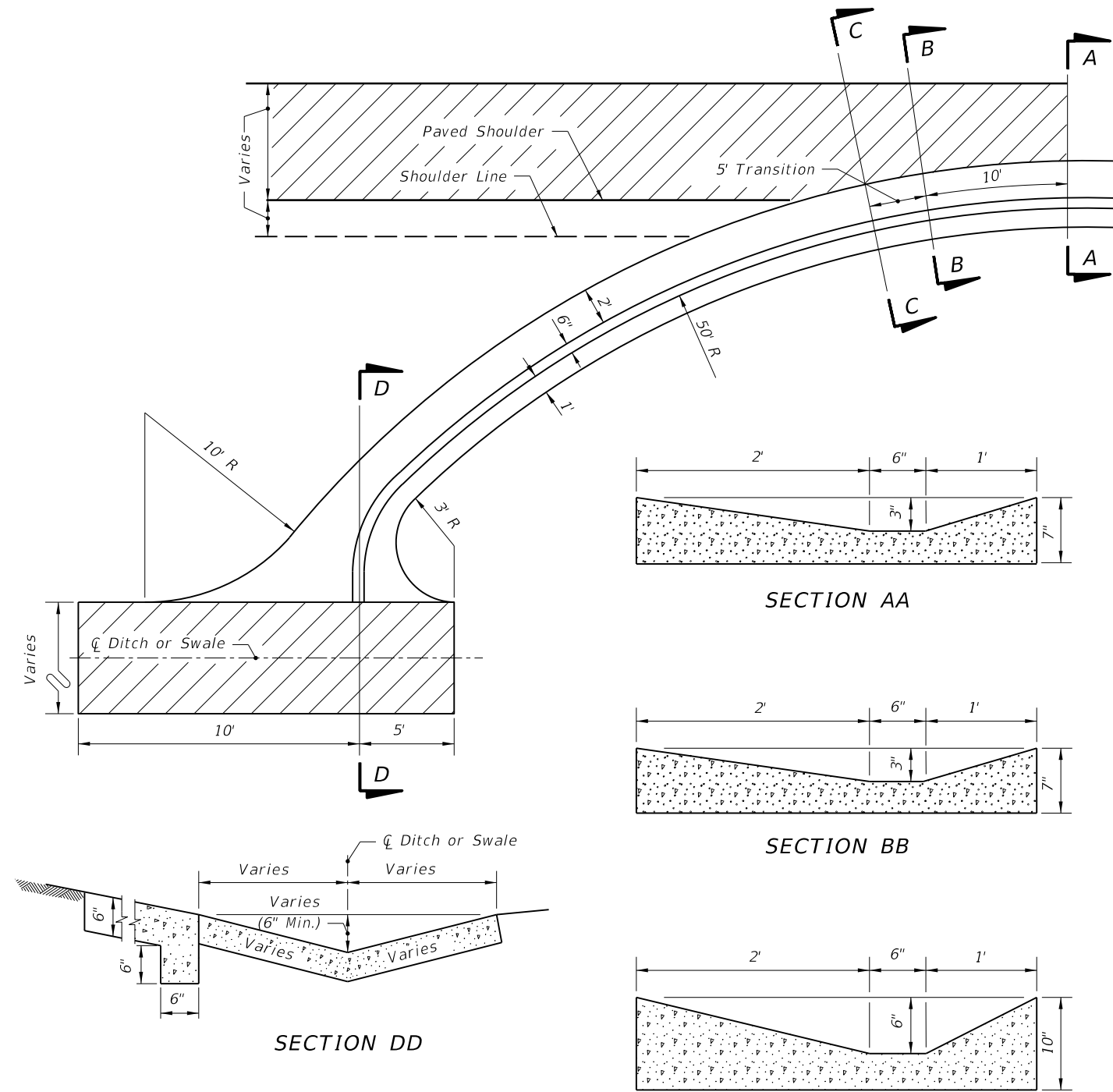
GENERAL NOTES

1. These details are to apply to projects which provide for the conversion of 2-lane sections to 4-lane divided highway sections and for superelevated sections of new 4-lane divided highways. Layout above is illustration only. Cost of flumes to be included in the contract price for Curb or Curb and Gutter. Sod to be paid for under the contract unit price for Performance Turf, SY.
2. Flumes to be located in low point of noses and at other points as designated in the plans. The locations may be adjusted by the Engineer during construction.

C:\projects\standards\roadway\02200-s\02283-01.dgn sm970re 3:21:25 PM 6/24/2013

LAST REVISION 07/01/07	REVISION	DESCRIPTION:	 <p>FDOT 2014 DESIGN STANDARDS</p>	<p>MEDIAN OPENING FLUME</p>	<p>INDEX NO. 283</p>	<p>SHEET NO. 1 of 1</p>
---------------------------	----------	--------------	---	-----------------------------	--------------------------	-----------------------------

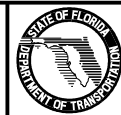
C:\projects\standards\roadway\02200-s\02284-01.dgn  
 sm970re  
 3:21:26 PM  
 6/24/2013



1. Spillway to be paid for as Shoulder Gutter, L.F.
2. If spillway empties into an unpaved ditch, the detail should be modified as necessary.

**DETAIL OF CONCRETE SPILLWAY AT END OF SHOULDER GUTTER**  
 (TO BE USED WHERE INLETS, PIPES & ENDWALLS ARE IMPRACTICAL)

LAST REVISION	DESCRIPTION:
07/01/09	

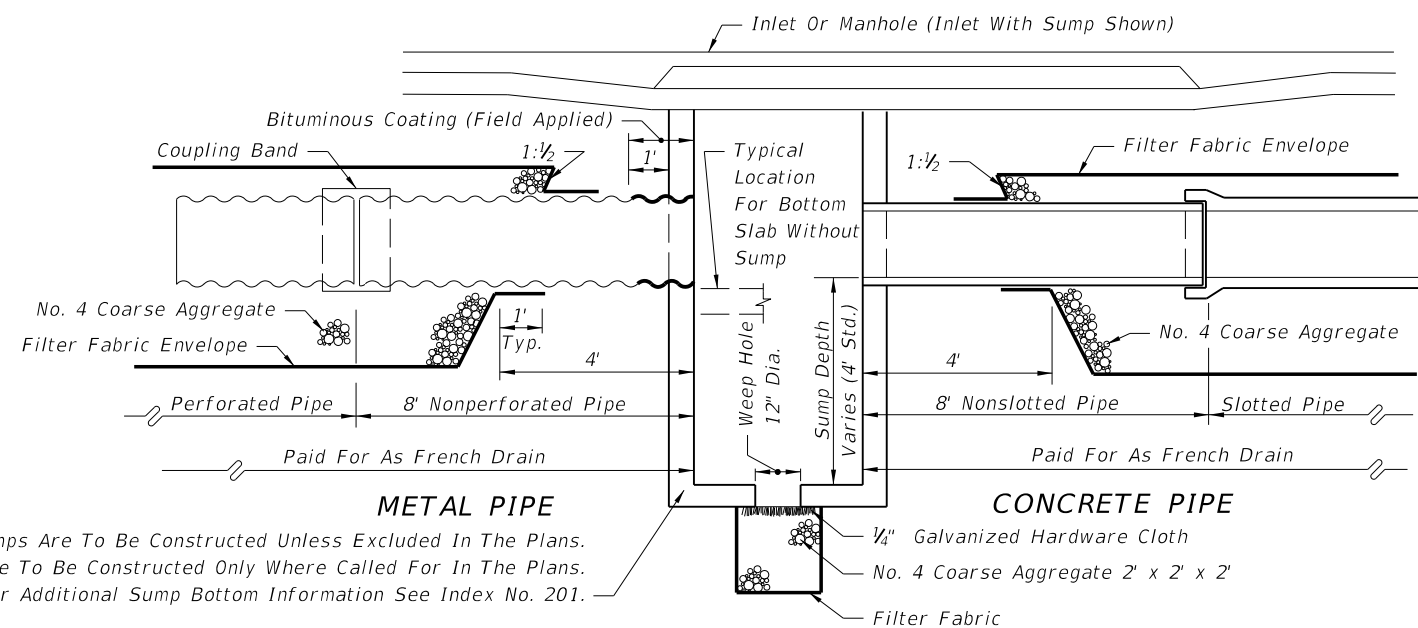


FDOT 2014  
 DESIGN STANDARDS

CONCRETE SHOULDER GUTTER SPILLWAY

INDEX NO.  
 284

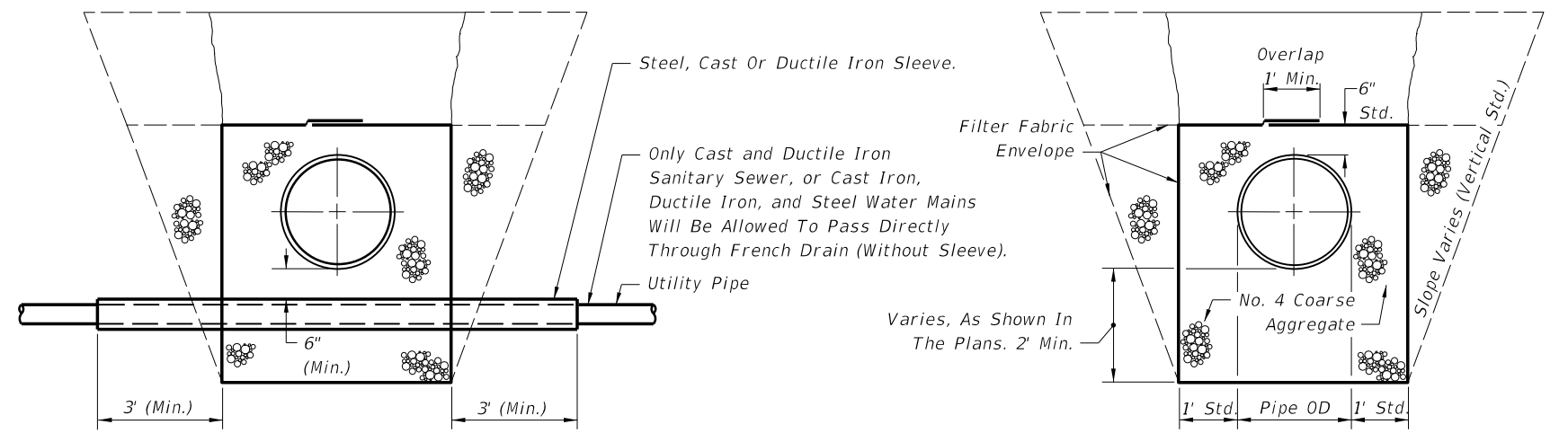
SHEET NO.  
 1 of 1



Sumps Are To Be Constructed Unless Excluded In The Plans.  
Weep Hole To Be Constructed Only Where Called For In The Plans.  
For Additional Sump Bottom Information See Index No. 201.

### LONGITUDINAL SECTION

- #### GENERAL NOTES
1. Pipe shall be any of the optional types permitted in Section 443 of the Specifications unless otherwise restricted in the plans. Dissimilar types of pipe will not be permitted in a continuous run of pipe.
  2. Concrete pipe shall be placed with the slots positioned on sides.
  3. Alignment joints are standard (gaskets not required). Recorrugation of metal pipe ends not required.
  4. The contractor may submit other methods of providing slots having equal or greater area of opening, for approval by the Engineer.
  5. Filter fabric shall be Type D-3 meeting the requirements of Section 985. All filter fabric joints shall lap a minimum of one (1) foot.
  6. The standard cross section shall be constructed unless other section(s) described or detailed in the plans.
  7. For supplemental details see Index No. 280.
  8. The contractor shall take the necessary precautions to prevent contamination of the trench with sand, silt and foreign materials.
  9. French drains shall be paid for under the contract unit price for French Drains, LF. The unit price shall include the cost of pipe, pipe plugs, pipe fittings, coarse aggregate and filter fabric in place, and the cost for trench excavation, backfill and compaction. The unit price shall also include the cost for disposal of surplus excavated materials and cost for restoration of pavement removed or damaged by french drain construction, but shall not include payments for items paid for elsewhere.




ROUND PIPE SHOWN  
UTILITY PIPES THRU FRENCH DRAIN

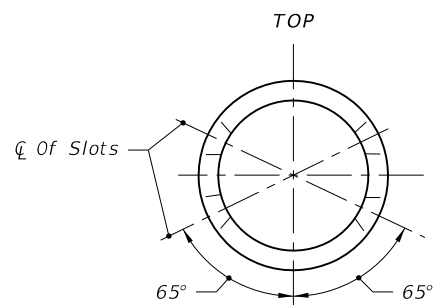
ROUND PIPE SHOWN  
STANDARD CROSS SECTION (ENLARGED)

### FRENCH DRAIN SYSTEM

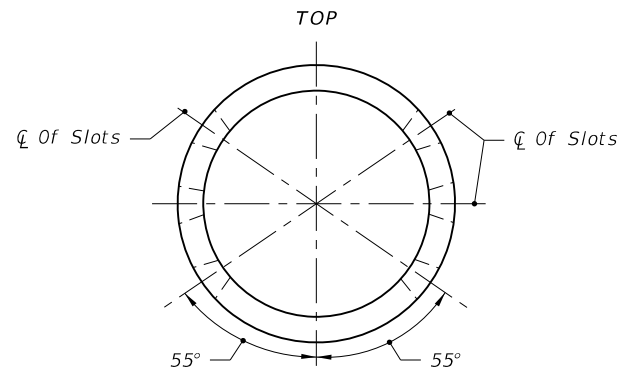
- #### DESIGN NOTES
1. Pipe invert should be at or above the water table whenever possible.
  2. French drains with minor dimensional changes or otherwise different from the standard cross-section shall be either described or detailed in the plans. French drains with significantly different cross-sections shall be detailed in the plans.

C:\projects\standards\roadway\02200-s\02285-01.dgn smg970re 3:21:28 PM 6/24/2013

LAST REVISION 07/01/10	REVISION	DESCRIPTION:	 <b>FDOT 2014 DESIGN STANDARDS</b>	<b>FRENCH DRAIN</b>	INDEX NO. <b>285</b>	SHEET NO. <b>1 of 2</b>
---------------------------	----------	--------------	--	---------------------	-------------------------	----------------------------



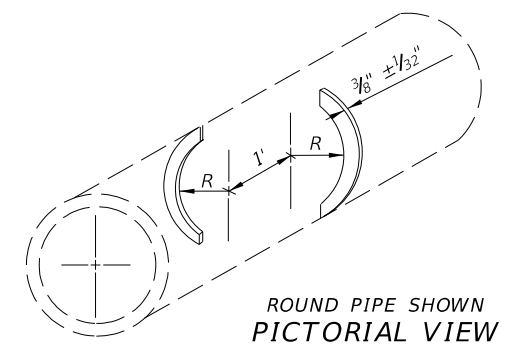
15"-30"



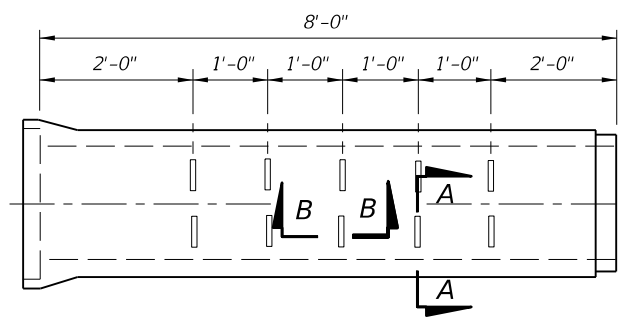
36"-72"

ELLIPTICAL PIPE		
Pipe Size	Slot Cut	
	Opening c	
	Min.	Max.
14"x23"	10"	12"
19"x30"	14"	16"
24"x38"	14"	16"
29"x45"	20"	22"
34"x53"	20"	22"
38"x60"	20"	22"

ROUND PIPE		
Pipe Size	Slot Cut	
	Opening c	
	Min.	Max.
15"	12"	14"
18"	12"	14"
24"	16"	18"
30"	16"	18"
36"	22"	24"
42"	22"	24"
48"	22"	24"
54"	24"	26"
60"	24"	26"
66"	24"	26"
72"	24"	26"

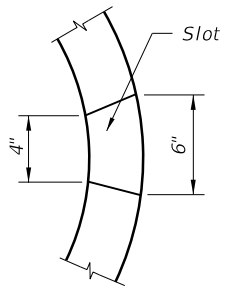


ROUND PIPE SHOWN PICTORIAL VIEW

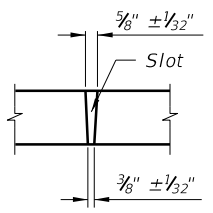


SIDE VIEW

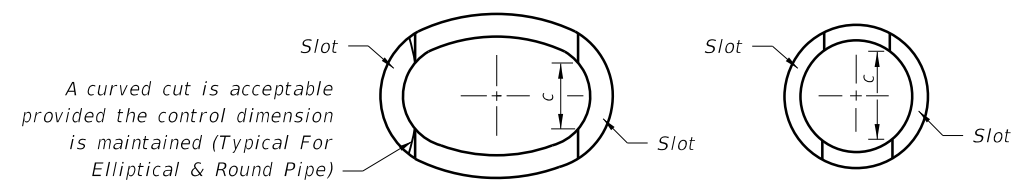
OPTION A - ROUND PIPE



SECTION AA



SECTION BB

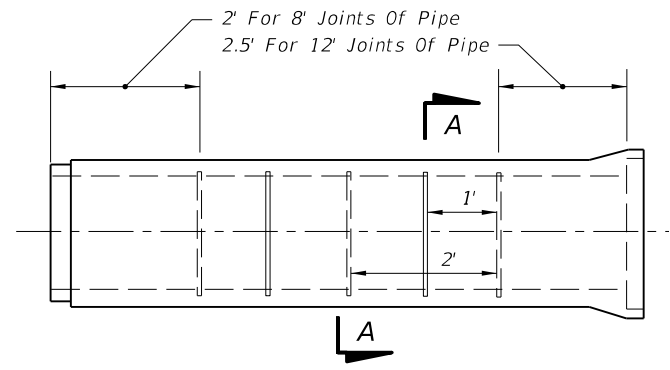


ELLIPTICAL PIPE

ROUND PIPE

SECTION AA

OPTION B - ROUND OR ELLIPTICAL PIPE



SIDE VIEW

SLOTTED PIPE OPTIONS

C:\p\projects\standards\roadway\02200-s\02285-02.dgn 3:21:30 PM sm970re 6/24/2013

**GENERAL NOTES**

1. The underdrain pipe shall be either 4" smooth or 5" corrugated tubing unless otherwise shown in the plans. The size to be furnished will be based on the nominal internal diameter of a pipe with a smooth interior wall. Except when prohibited by the plans, the special provisions of this standard, pipe with a corrugated interior wall may be provided based on the following size equivalency.

- 4" smooth interior equivalent to 5" corrugated interior
- 5" smooth interior equivalent to 6" corrugated interior
- 6" smooth interior equivalent to 8" corrugated interior
- 8" smooth interior equivalent to 10" corrugated interior

2. Fine aggregate shall be quartz sand meeting the requirements of Sections 902-4 of the Standard Specifications.

3. Coarse aggregate shall be gravel or stone meeting the requirements of Sections 901-2 or 901-3. The gradation shall meet Section 901, Grades 4, 467, 5, 56 or 57 stone unless otherwise shown restricted in the plans.

4. Underdrain Type I, II, III and V shall be in accordance with Section 440.

5. Filter fabric shall be Type D-3 (See Index No. 199). The internal filter fabric of Type V underdrain shall have a permittivity of 0.7 /sec. and an AOS of #40 sieve.

6. When Type I is used, a filter fabric sock meeting Section 948 is required.

7. See Index No. 500 for the standard location of Type I, II, and III underdrain. The location of Type V underdrain and nonstandard locations of Type I, II, and III underdrain will be as detailed in the plans.

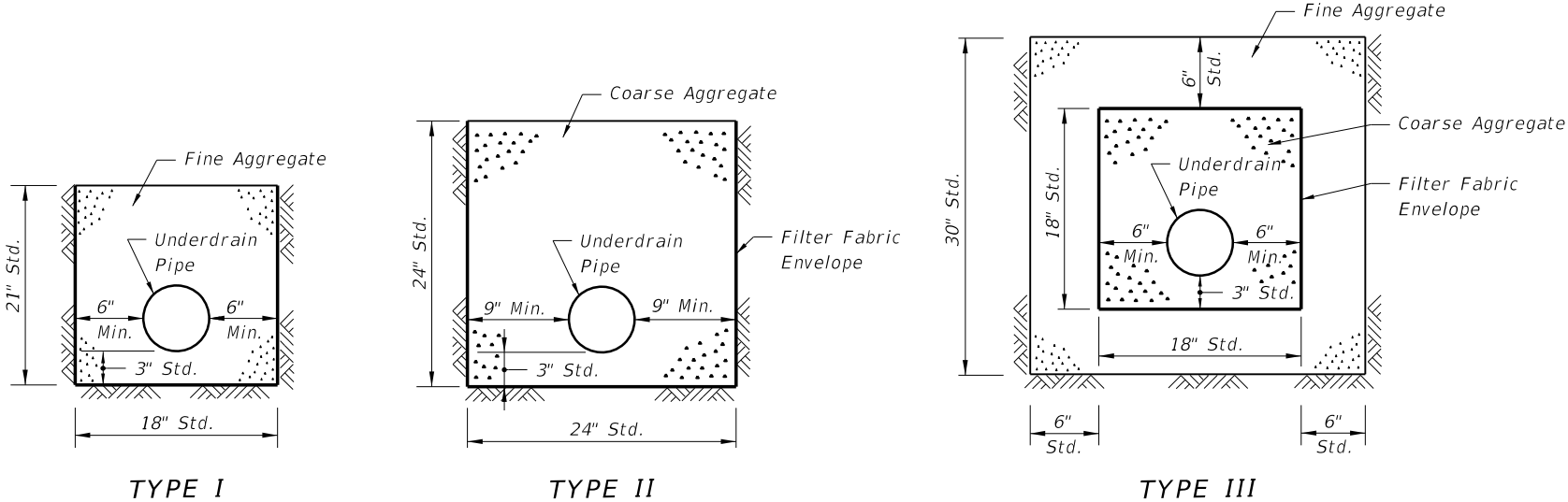
8. All filter fabric joints shall overlap a minimum of 1'. The internal filter fabric of Type V underdrain shall overlap into the coarse aggregate or the fine aggregate a minimum of 1'.

9. Underdrain outlet pipes shall be nonperforated and all bends shall be made using 1/8 (45 deg.) elbows. 90 deg. bends shall be constructed with two 1/8 elbows separated by at least 1' of straight pipe. Outlet pipes stubbed into inlets or other drainage structures shall be not less than 6" above the structure flow line. Outlet pipes discharging to grassed areas shall have concrete aprons, hardware cloth, and bordering sod as shown in Index No. 287 for Edgedrain outlets.

10. Pay Item shall be based on the size of the smooth interior products. The contract unit price for Underdrain, LF, shall include the cost of pipe, fittings, aggregate, sock, filter fabric, underdrain cleanouts, and concrete aprons.

The contract unit price for Underdrain Outlet Pipe, LF, shall be full compensation for trench excavation, pipe and fittings, concrete aprons, hardware cloth for concrete aprons, stubbing into drainage structures, backfill in place, and disposal of excess materials.


The contract unit price for Underdrain Inspection Box, EA, shall be for the number completed and accepted.



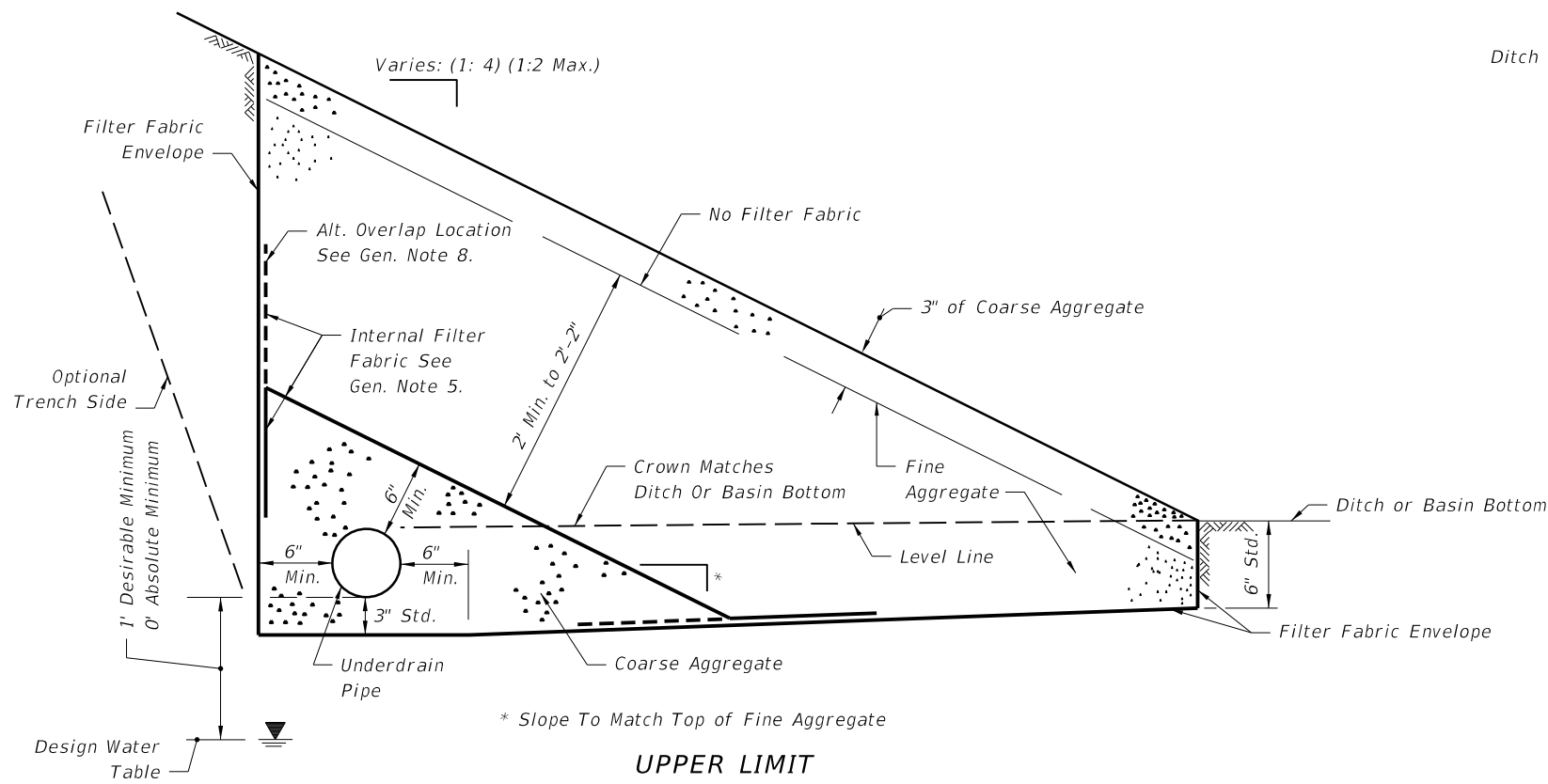
**DESIGN NOTES**

1. The type of underdrain should be selected to meet design water removal rate and soil conditions. Caution is prescribed in the use of these typical sections since special designs may be required to satisfy project conditions.
2. Type I underdrain is intended for minimum water removal conditions.
3. Type II underdrain is intended for moderate water removal conditions. Where reactive conditions may create chemical clogging, the use of an inert material and/or elimination of the filter fabric may be necessary.
4. Type III underdrain is intended for maximum water removal conditions. Filter fabric is required between the coarse aggregate or fine aggregate including those described in general notes 2 and 3. Design note 3 applies for reactive conditions.
5. Type V underdrain is intended for use in detention basins and other locations which require a filtration system. The standard fine aggregate specified for Type V underdrain conforms to filtration gradation requirements of Chapter 62-25 FAC.
6. The designer should detail in the plans, the location of:
  - (a) Type V underdrain, (b) nonstandard locations of Type I, II, and III underdrain, (c) underdrain inspection boxes, (d) cleanouts for Type V underdrain, and (e) underdrain outlet pipes.
7. The designer should specify the flow line elevations at the beginning, bends, junctions and ends of underdrain pipes and outlet pipes.
8. The designer should evaluate whether an external filter fabric envelope is required around underdrain Types I and III. When required, fabric shall be specified in the plans.

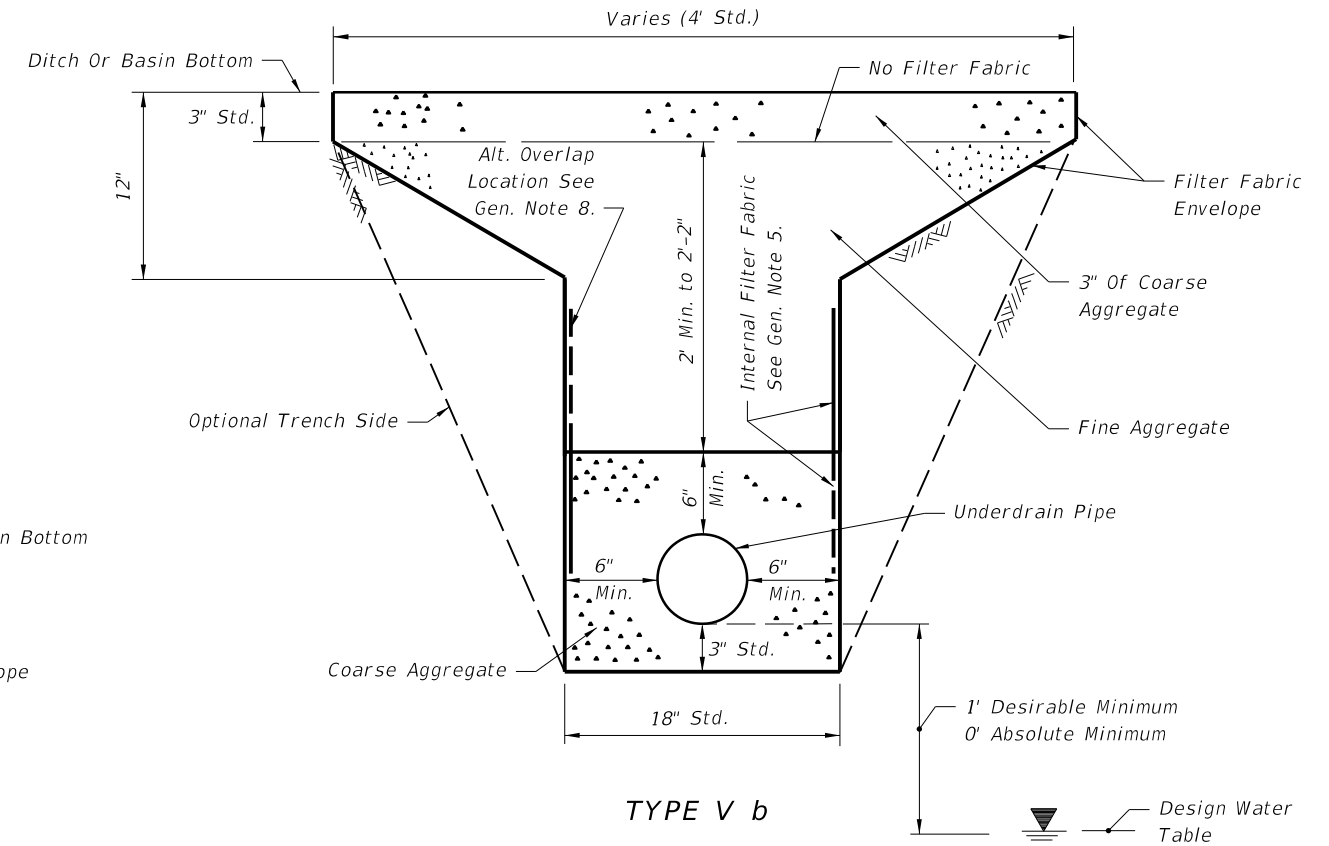
C:\projects\standards\roadway\00200-s\00286-01.dgn smg70re 3:21:31 PM 6/24/2013

LAST REVISION 07/01/07	REVISION	DESCRIPTION:	 <p><b>FDOT 2014 DESIGN STANDARDS</b></p>	<b>UNDERDRAIN</b>	INDEX NO. <b>286</b>	SHEET NO. <b>1 of 2</b>
---------------------------	----------	--------------	--	-------------------	-------------------------	----------------------------

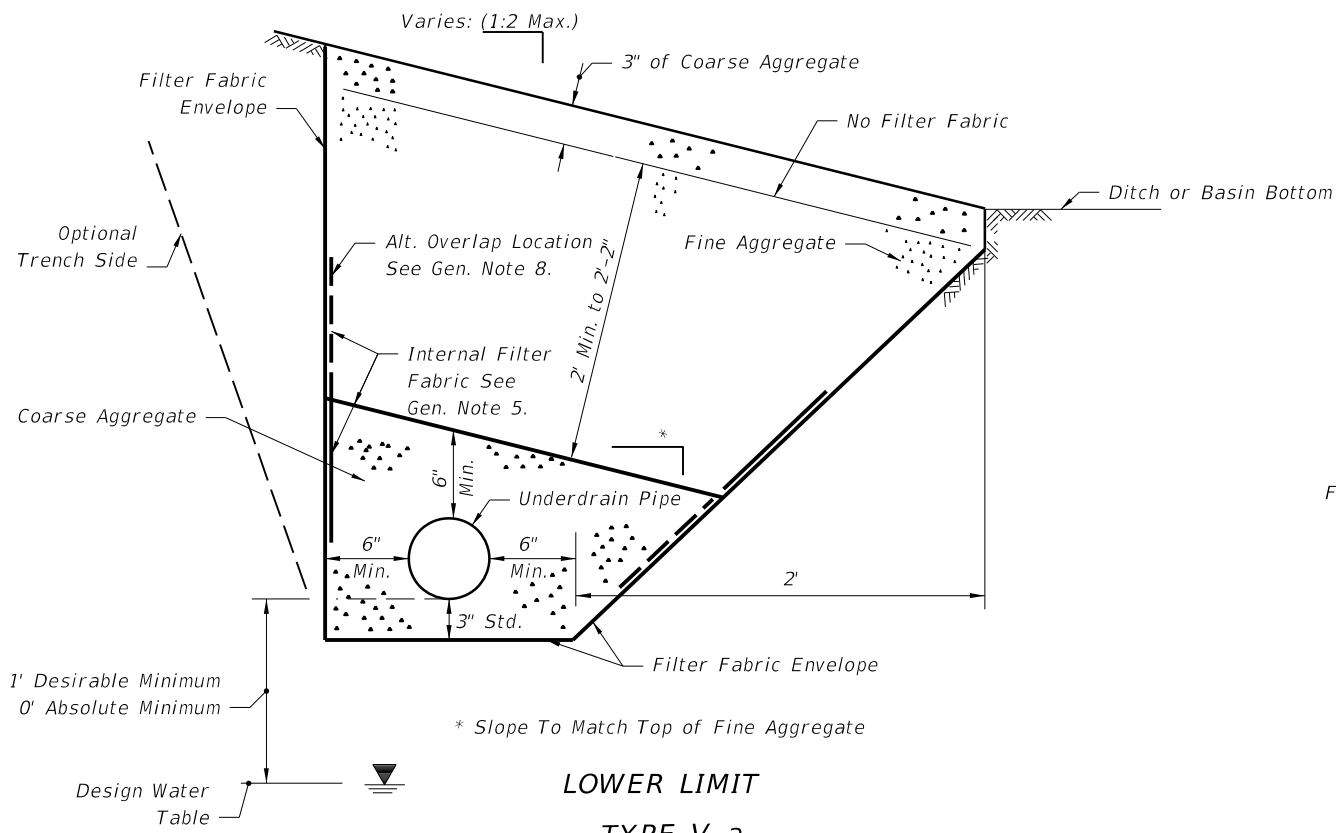




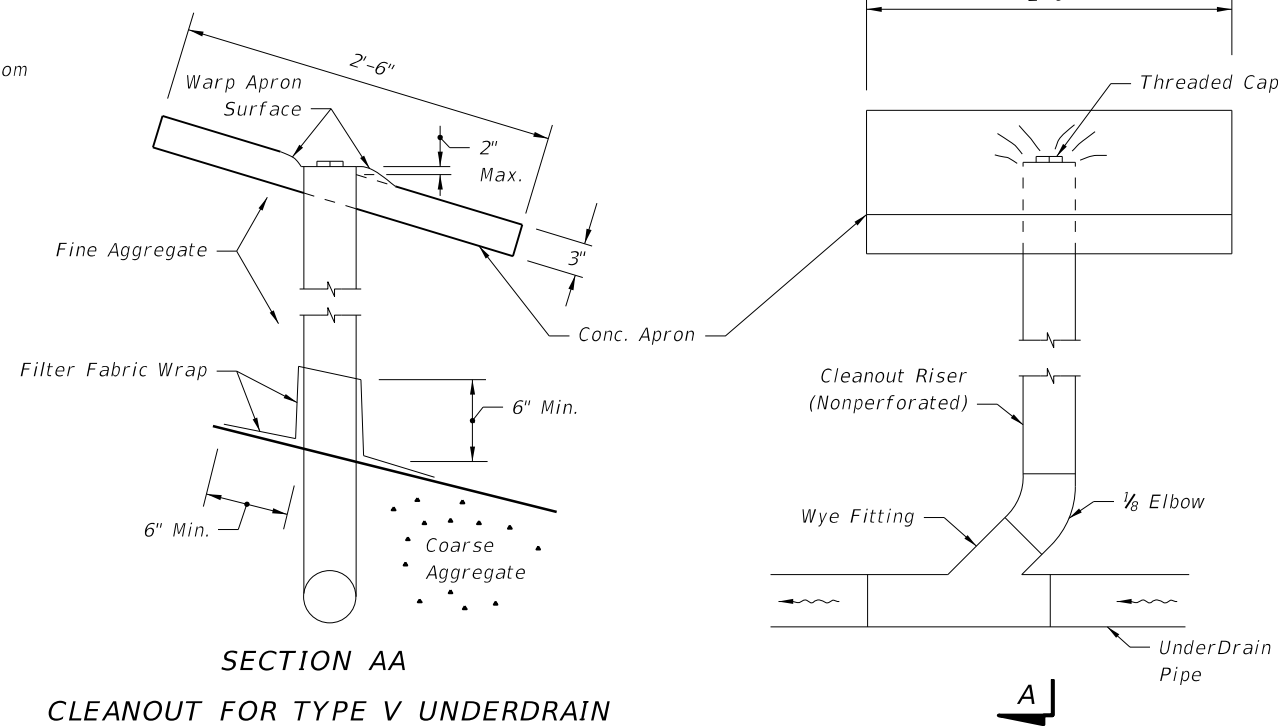
UPPER LIMIT



TYPE V b




LOWER LIMIT  
TYPE V a



SECTION AA  
CLEANOUT FOR TYPE V UNDERDRAIN

6/24/2013 3:21:33 PM sm970re C:\projects\standards\roadway\02100-s\02286-02.dgn

LAST REVISION	REVISION	DESCRIPTION:	 <b>FDOT 2014 DESIGN STANDARDS</b>	<b>UNDERDRAIN</b>	INDEX NO. <b>286</b>	SHEET NO. <b>2 of 2</b>
07/01/02						

**GENERAL NOTES FOR  
CONCRETE PAVEMENT SUBDRAINAGE**

1. No trench greater than 2' in depth will be allowed overnight. Trenches shall be barricaded at all times.
2. Concrete pavement subdrainage shall be constructed adjacent to the low edge of the roadway pavement and under travel lanes, auxiliary pavement and shoulders, as called for in the plans. When the low edge shifts between outside and inside edges of pavement the concrete pavement subdrainage shall extend 50' beyond and begin 50' before the flat point (100' overlap).

Concrete pavement subdrainage shall be placed on the low side of ramps of crossroad terminals.

3. Concrete pavement subdrainage shall be constructed on a grade parallel with the edge of pavement profile, except on profiles flatter than one-tenth percent (0.10%) the concrete pavement subdrainage shall be constructed on a grade of one-tenth percent (0.10%).
4. Immediately prior to placing the filter fabric the entire vertical face of the concrete pavement shall be cleaned to remove adhering base material and soil.
5. The Contractor shall devise a procedure for holding the filter fabric in position on the vertical face of the trench. The procedure must be approved by the Engineer prior to placement of the draincrete.

6. The upper end of each separate run of the concrete pavement subdrainage pipe shall be capped.
7. Outlet pipes shall be constructed at a maximum of 500' intervals. Elbows or 1/8 bends shall be used to connect the outlet pipe to the concrete pavement subdrain pipe. The elbows or bends shall be of the same material as the outlet pipe but compatible with the pipe.

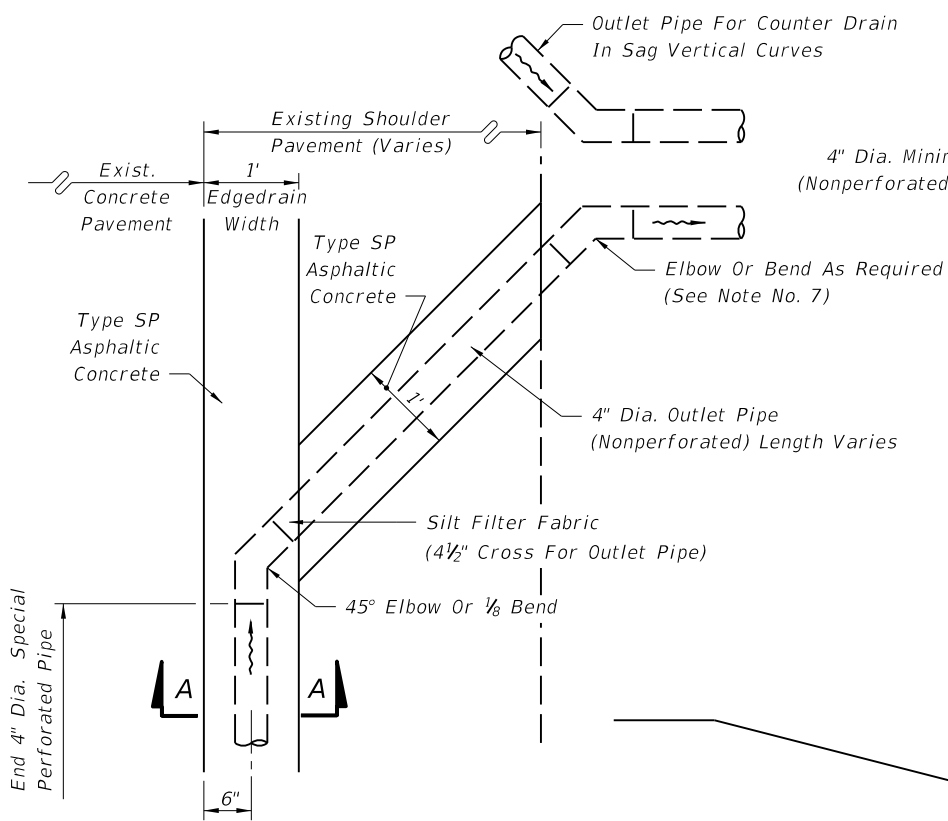
When directed by the Engineer, outlet pipes shall be stubbed into existing inlets or into existing ditch pavements at an elevation 6" above the inlet flowline or ditch bottom. Concrete apron and bordering sod are not required for stubbed outlets, but replacement sodding will be required at trenches for pipes stubbed into paved ditches.

In sag vertical curves separate outlet pipes for concrete pavement subdrains from opposite directions shall use a single apron unless otherwise shown in the plans or otherwise directed by the Engineer.

Backfill around outlet pipes shall be of cohesive soils, draincrete will not be permitted.

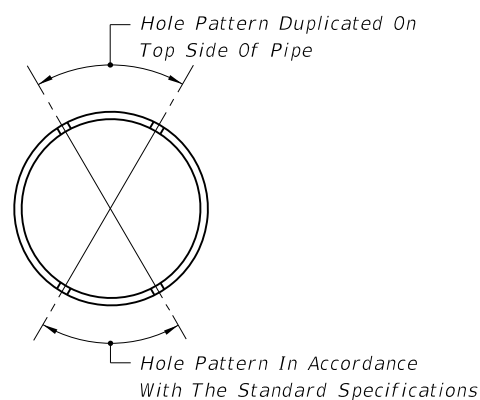
8. Existing paved shoulder that is removed for the construction of outlet pipes shall be replaced with Type SP asphaltic concrete at the rate of 500 LB per SY.

9. The contract unit price for Edgedrain Outlet Pipe (4") LF, shall be full compensation for removal of existing shoulder pavement, trench excavation, pipe and fitting, concrete apron, hardware cloth, sod, stubbing into existing inlets and paved ditches, restoration of ditch pavement, backfill in place, and disposal of excess materials.

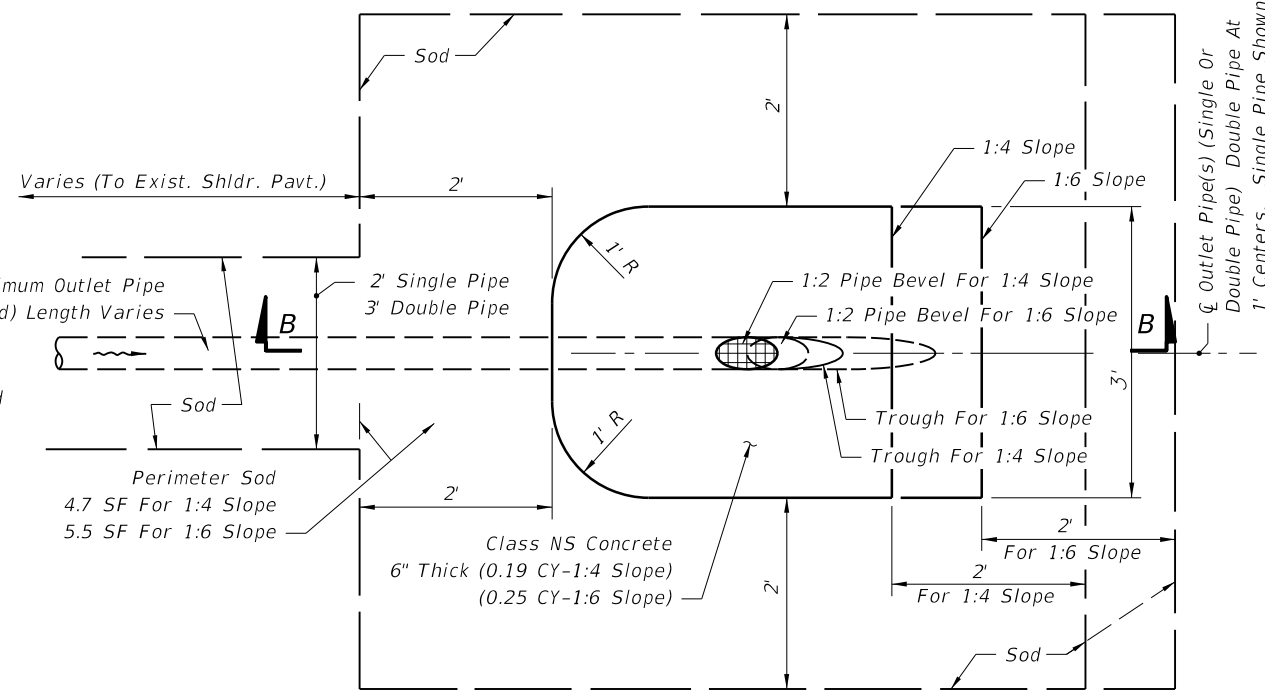


**ALIGNMENT OF OUTLET PIPE**

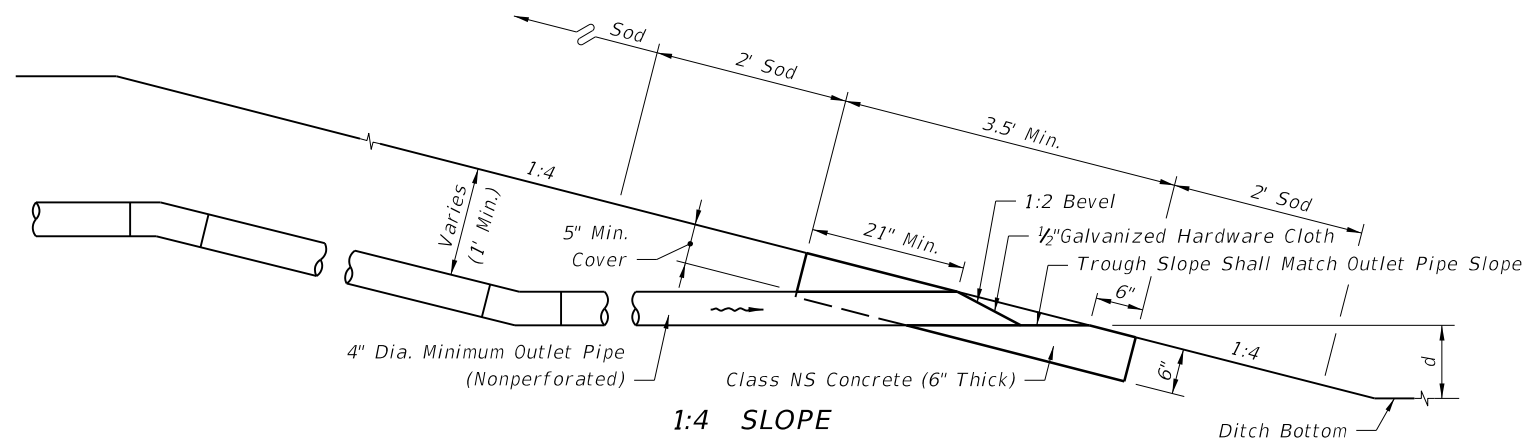
NOTE: For Section AA see following Sheets.



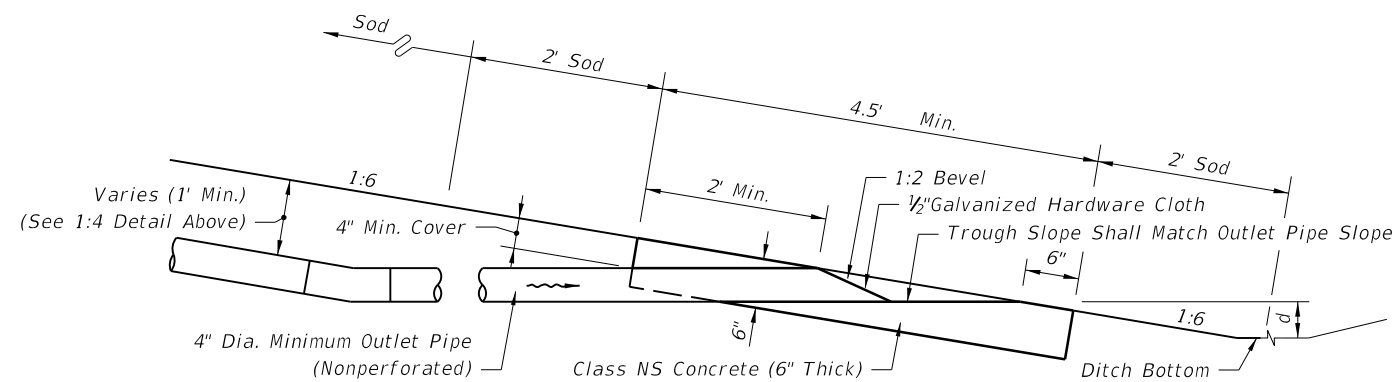
**SUBDRAINAGE PIPE**



**PLAN - OUTLET PIPE APRON**




**1:4 SLOPE**



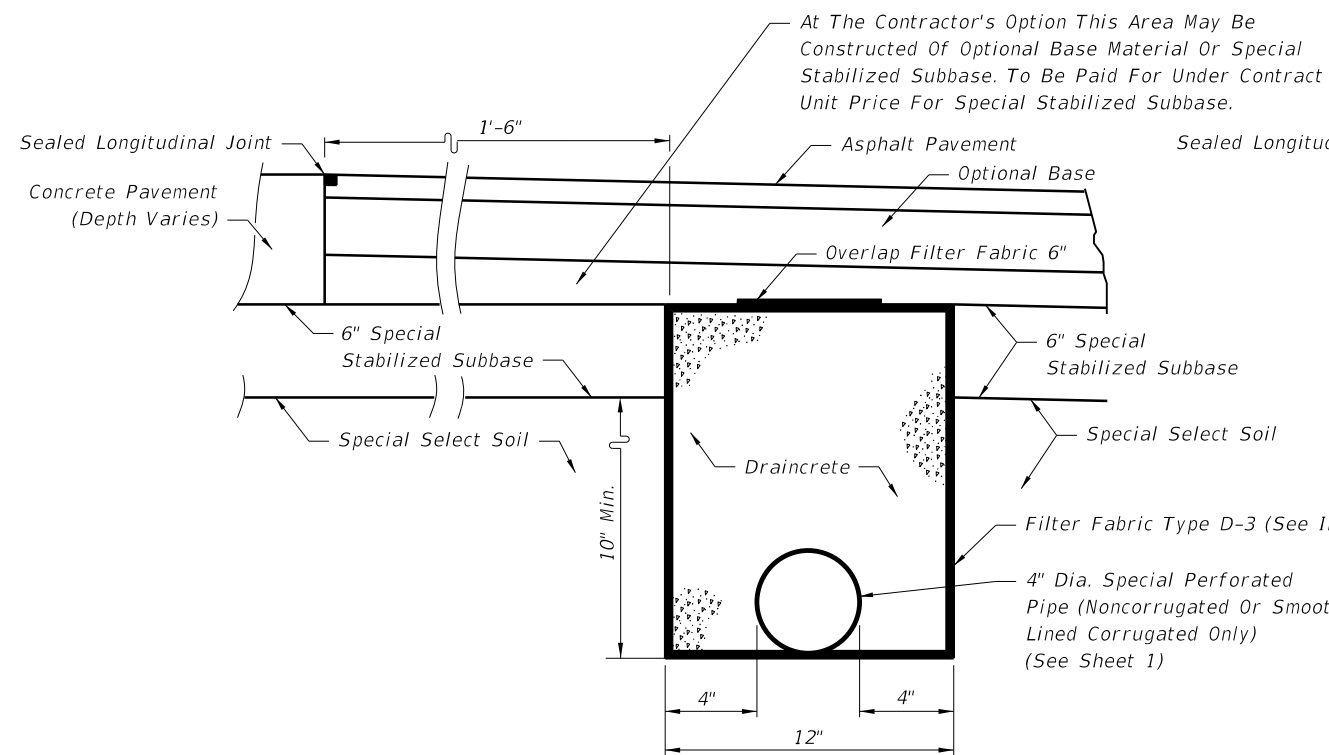
**1:6 SLOPE  
SECTIONS BB  
4" EDGEDRAIN  
EDGEDRAIN OUTLET**

d = 1.75' std. for grassed ditches; 0.5' std. for paved ditches  
[less is acceptable to provide minimum 0.1% outlet pipe slope]

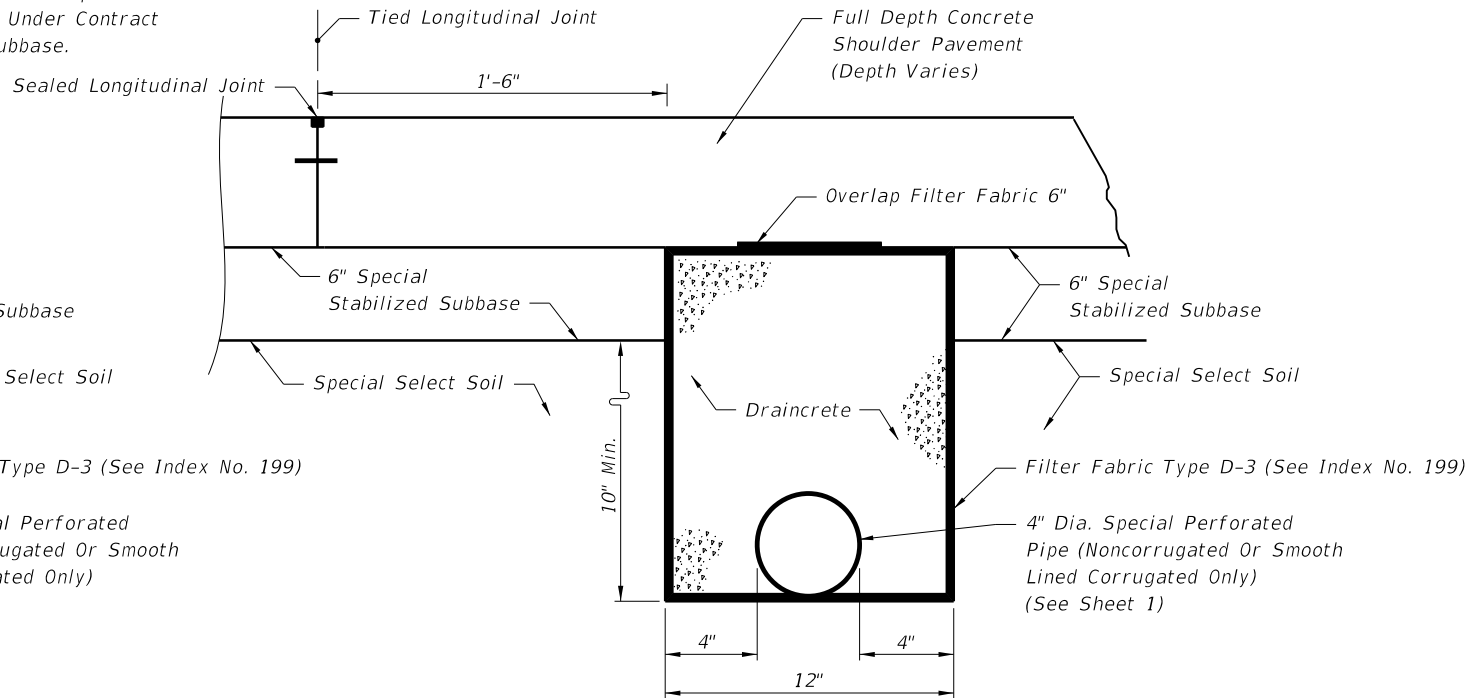
C:\projects\standards\roadway\0200-s\0287-01.dgn 3:21:35 PM sm970re 6/24/2013

LAST REVISION 07/01/09	DESCRIPTION:	 <p><b>FDOT 2014 DESIGN STANDARDS</b></p>	<p><b>CONCRETE PAVEMENT SUBDRAINAGE</b></p>	<p>INDEX NO. <b>287</b></p>	<p>SHEET NO. <b>1 of 4</b></p>
---------------------------	--------------	--	---	---------------------------------	------------------------------------

C:\projects\standards\roadway\00200-s\00287-02.dgn  
smg70re  
3:21:37 PM  
6/24/2013



ASPHALT SHOULDERS



CONCRETE TRAVEL LANES, SHOULDERS, AND AUXILIARY PAVEMENT

NEW CONSTRUCTION

NOTES FOR DRAINCRETE PAVEMENT SUBDRAINAGE

1. The edgedrain sections for DRAINCRETE SUBDRAINAGE are applicable to pavement construction identified as RIGID PAVEMENT on Index No. 505, Sheet 2 and 4.
2. The contractor shall confine the construction of draincrete edgedrain to an area in which the entire operation can be carried out in five (5) work days, unless another construction period is called for in the plans, with sufficient time allowed for the draincrete to set before placement of pavement.

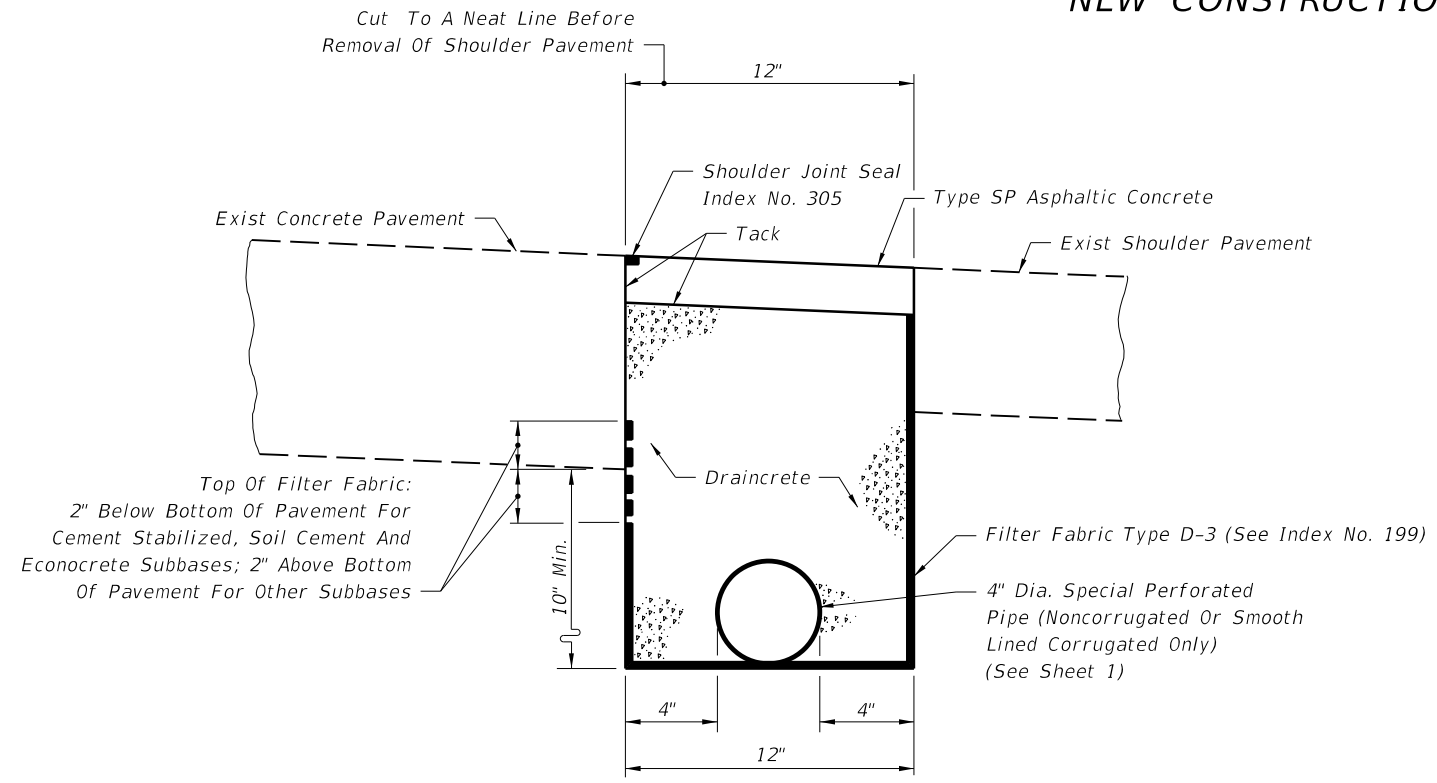
METHOD OF PAYMENT

NEW CONSTRUCTION:

1. The contract unit price for Edgedrain (Draincrete) LF shall be full compensation for trench excavation, disposal of excess material, filter fabric, draincrete edgedrain pipe and fittings and draincrete.
- Payment for outlet pipe shall be in accordance with General Note 9, Sheet 1 of 4.


FOR REHABILITATION:

1. The contract unit price for Edgedrain (Draincrete) LF, shall be full compensation for removal of existing shoulder pavement, trench excavation, disposal of excess materials, filter fabric, draincrete edgedrain pipe and fittings, and draincrete, necessary for edgedrain construction.
- Payment for outlet pipe shall be in accordance with General Note 9, Sheet 1 of 4.
- Shoulder pavement shall be paid for under the contract unit price for Type SP, Asphaltic Concrete.
- Shoulder joint seal shall be paid for under the contract unit price for Pavement Joint, LF.

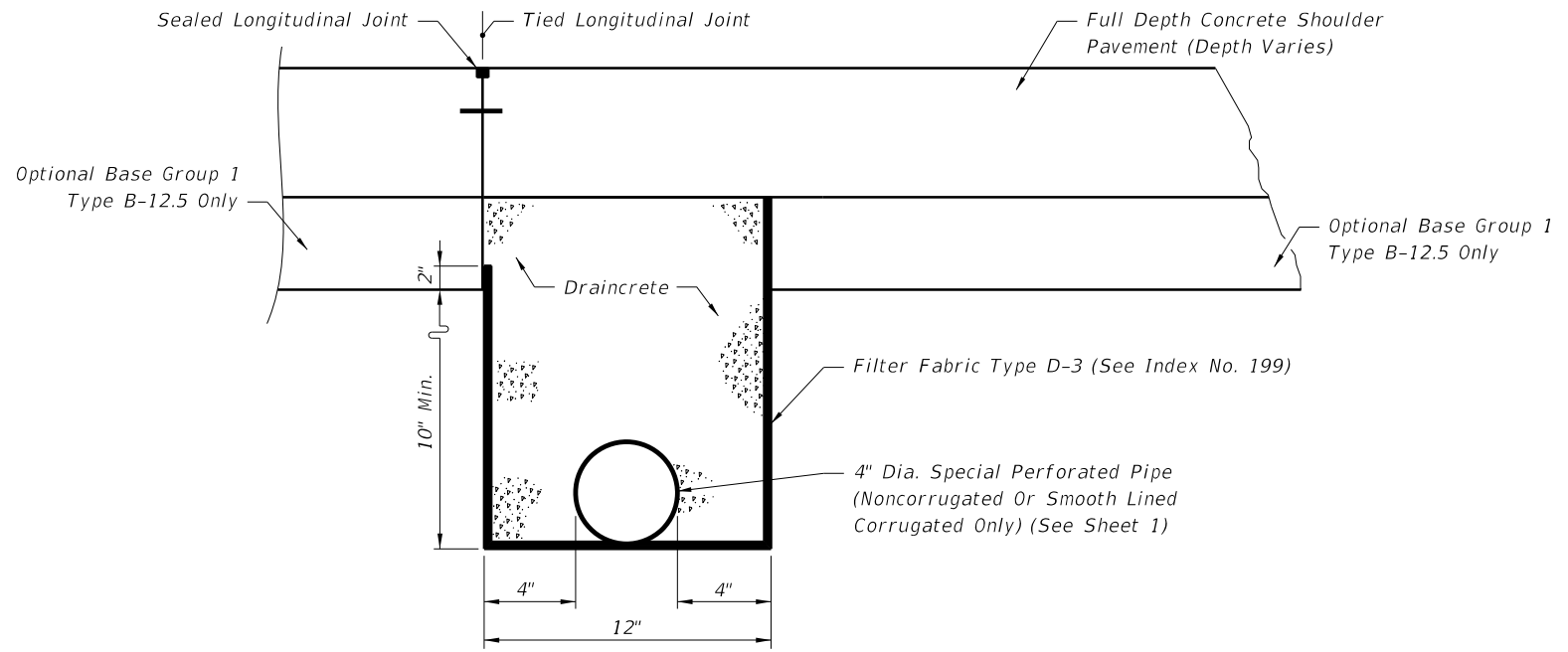


REHABILITATION

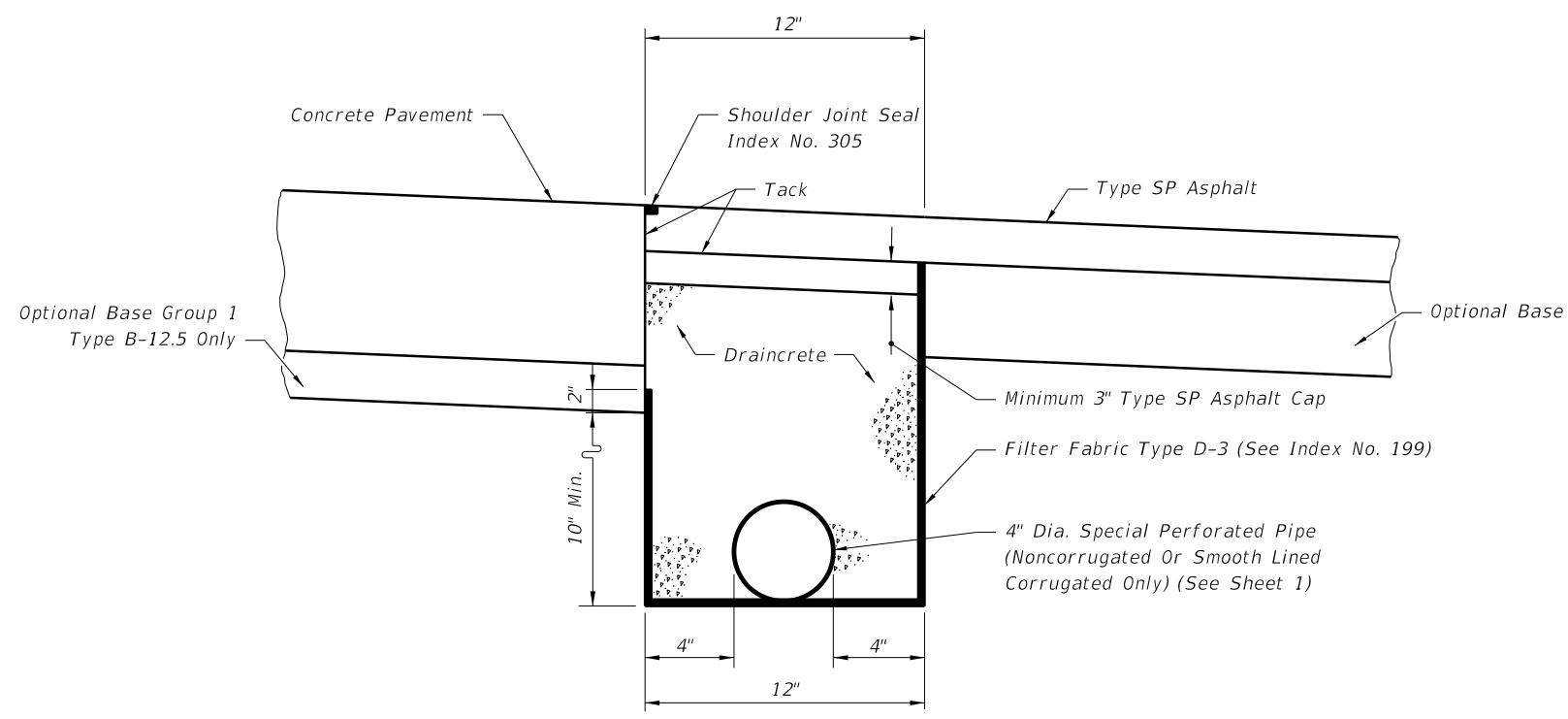
DRAINCRETE SUBDRAINAGE

LAST REVISION 07/01/09	REVISION	DESCRIPTION:	 <p>FDOT 2014 DESIGN STANDARDS</p>	<p>CONCRETE PAVEMENT SUBDRAINAGE</p>	<p>INDEX NO. 287</p>	<p>SHEET NO. 2 of 4</p>
---------------------------	----------	--------------	---	--------------------------------------	--------------------------	-----------------------------

C:\projects\standards\roadway\02200-s\02287-03.dgn  
sm970re  
3:21:39 PM  
6/24/2013



CONCRETE TRAVEL LANES,  
SHOULDERS, AND AUXILIARY PAVEMENT



ASPHALT SHOULDERS  
ASPHALT BASE SUBDRAINAGE


NOTES FOR DRAINCRETE  
PAVEMENT SUBDRAINAGE

1. The edgedrain sections for DRAINCRETE SUBDRAINAGE are applicable to pavement construction identified as RIGID PAVEMENT on Index No. 505, Sheet 2 and 3.
2. The contractor shall confine the construction of draincrete edgedrain to an area in which the entire operation can be carried out in five (5) work days, unless another construction period is called for in the plans, with sufficient time allowed for the draincrete to set before placement of pavement.

METHOD OF PAYMENT

NEW CONSTRUCTION:

1. The contract unit price for Edgedrain (Draincrete) LF shall be full compensation for trench excavation, disposal of excess material, filter fabric, draincrete edgedrain pipe and fittings and draincrete.  
Payment for outlet pipe shall be in accordance with General Note 9, Sheet 1 of 4.
2. Type B-12.5 shall be paid for under the contract unit price for Optional Base.
3. Shoulder pavement shall be paid for under the contract unit price for Type SP, Asphaltic Concrete.

LAST REVISION 07/01/09	DESCRIPTION:	 <p>FDOT 2014 DESIGN STANDARDS</p>	<p>CONCRETE PAVEMENT SUBDRAINAGE</p>	INDEX NO. 287	SHEET NO. 3 of 4
REVISION					

**GENERAL NOTES FOR TREATED PERMEABLE BASE EDGEDRAIN**

**NEW CONSTRUCTION**

- The contractor shall confine the construction of edgedrain to an area in which the entire operation can be carried out in (5) work days, unless another construction period is called for the plans.

**METHOD OF PAYMENT**

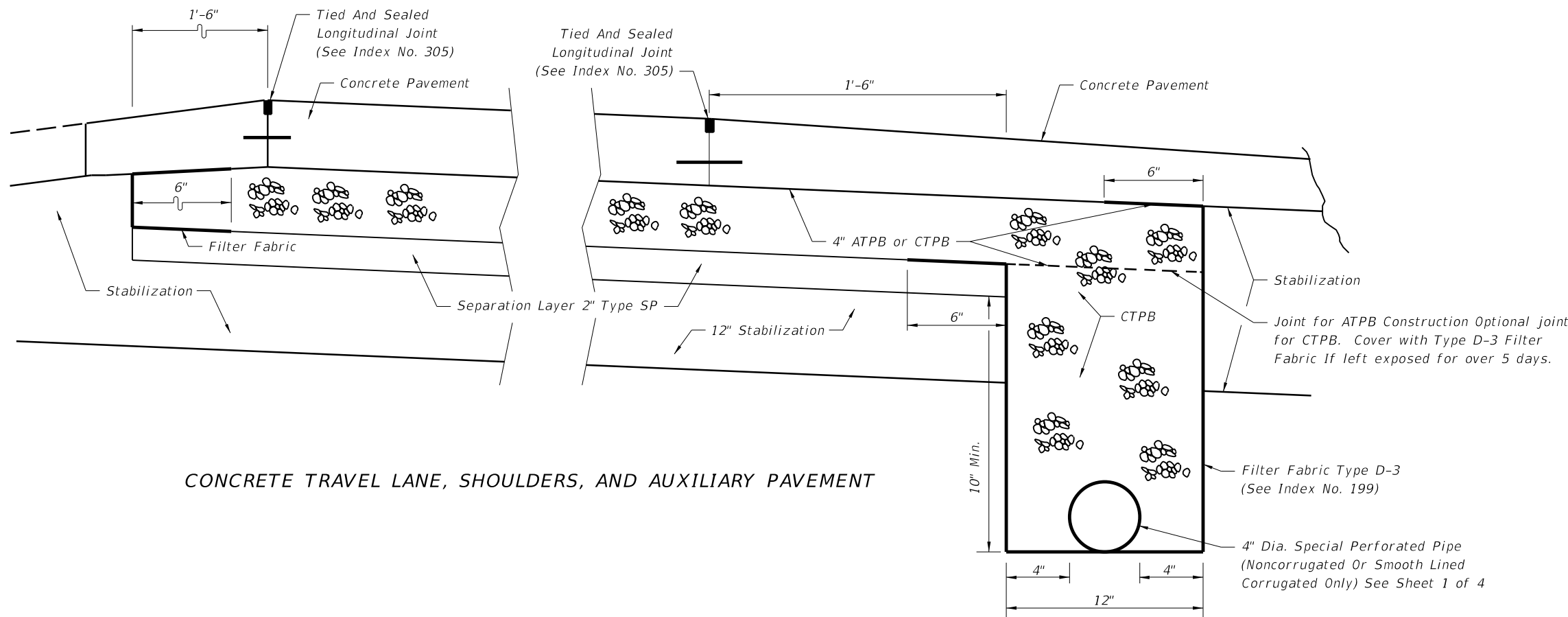
**NEW CONSTRUCTION**

- Payment shall be full compensation for trench excavation, disposal of excess materials, filter fabric, pipe and fittings, necessary for concrete pavement subdrainage construction. Payment shall be included in the cost for Asphalt Treated Permeable Base, CY or Cement Treated Permeable Base, CY.

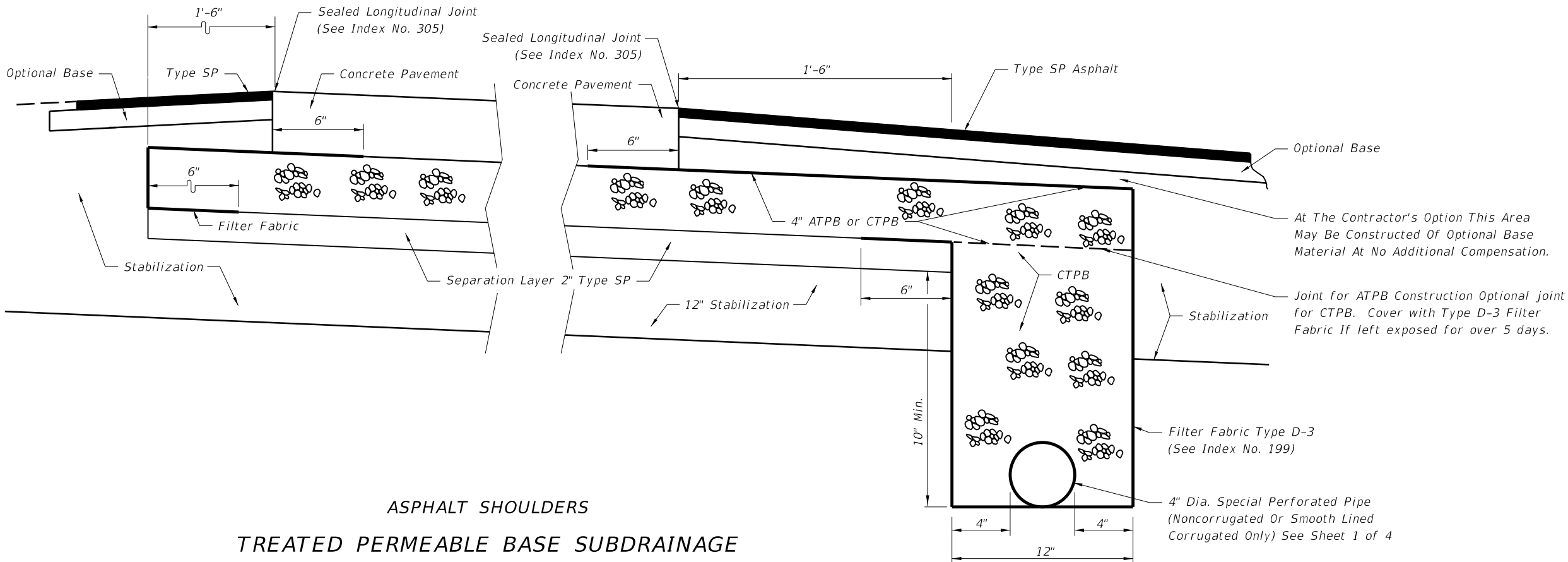
Payment for outlet pipe shall be in accordance with General Note 9, Sheet 1 of 4.

- Shoulder pavement and separation layer shall be paid for under the contract unit price for Type SP, Asphaltic Concrete.


**CONCRETE TRAVEL LANE, SHOULDERS, AND AUXILIARY PAVEMENT**

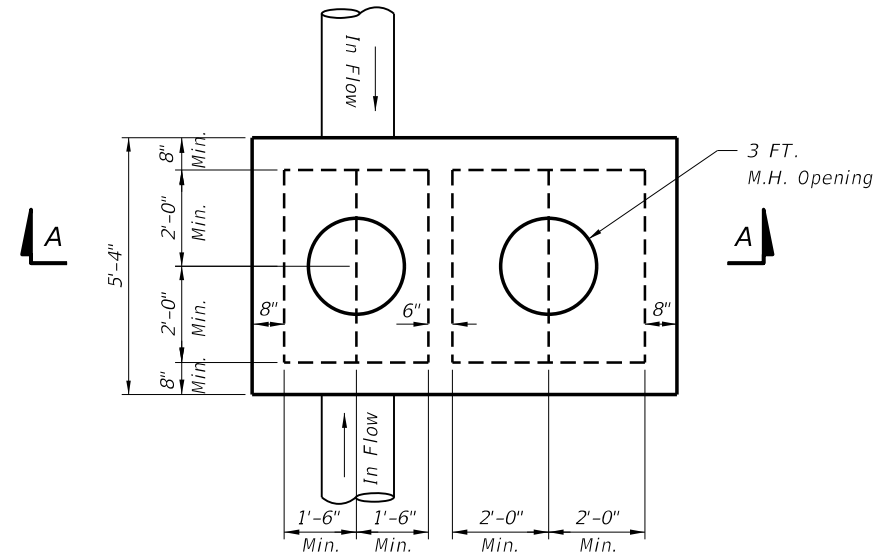


**ASPHALT SHOULDERS  
TREATED PERMEABLE BASE SUBDRAINAGE**

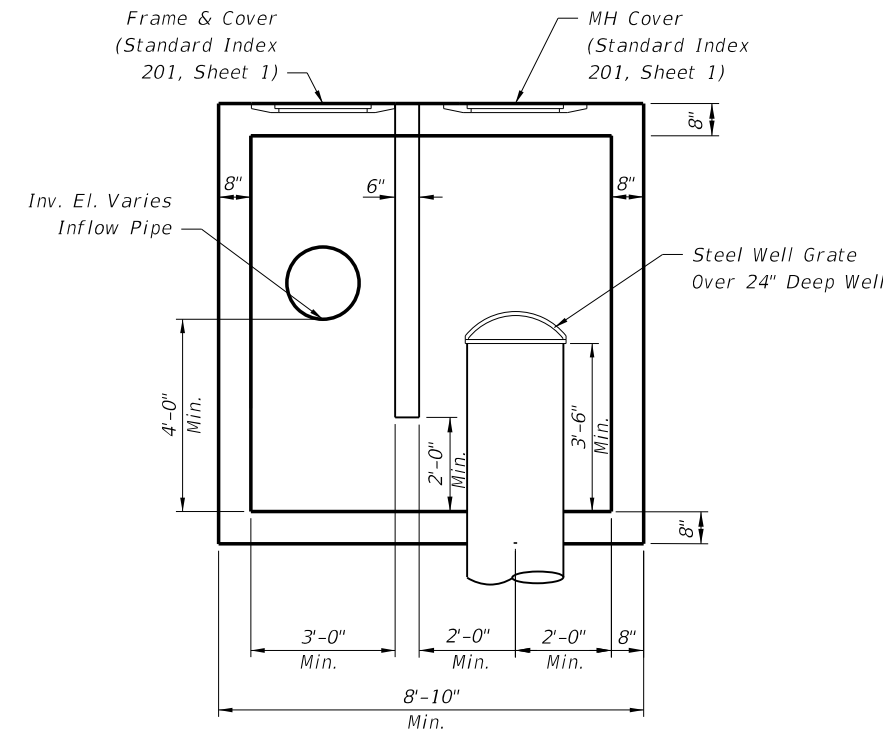


C:\projects\standards\roadway\02200-s\02287-04.dgn sm970re 3:21:41 PM 6/24/2013

LAST REVISION 01/01/08	REVISION	DESCRIPTION:	 <p><b>FDOT 2014 DESIGN STANDARDS</b></p>	<p><b>CONCRETE PAVEMENT SUBDRAINAGE</b></p>	<p>INDEX NO. <b>287</b></p>	<p>SHEET NO. <b>4 of 4</b></p>
---------------------------	----------	--------------	--	---	---------------------------------	------------------------------------

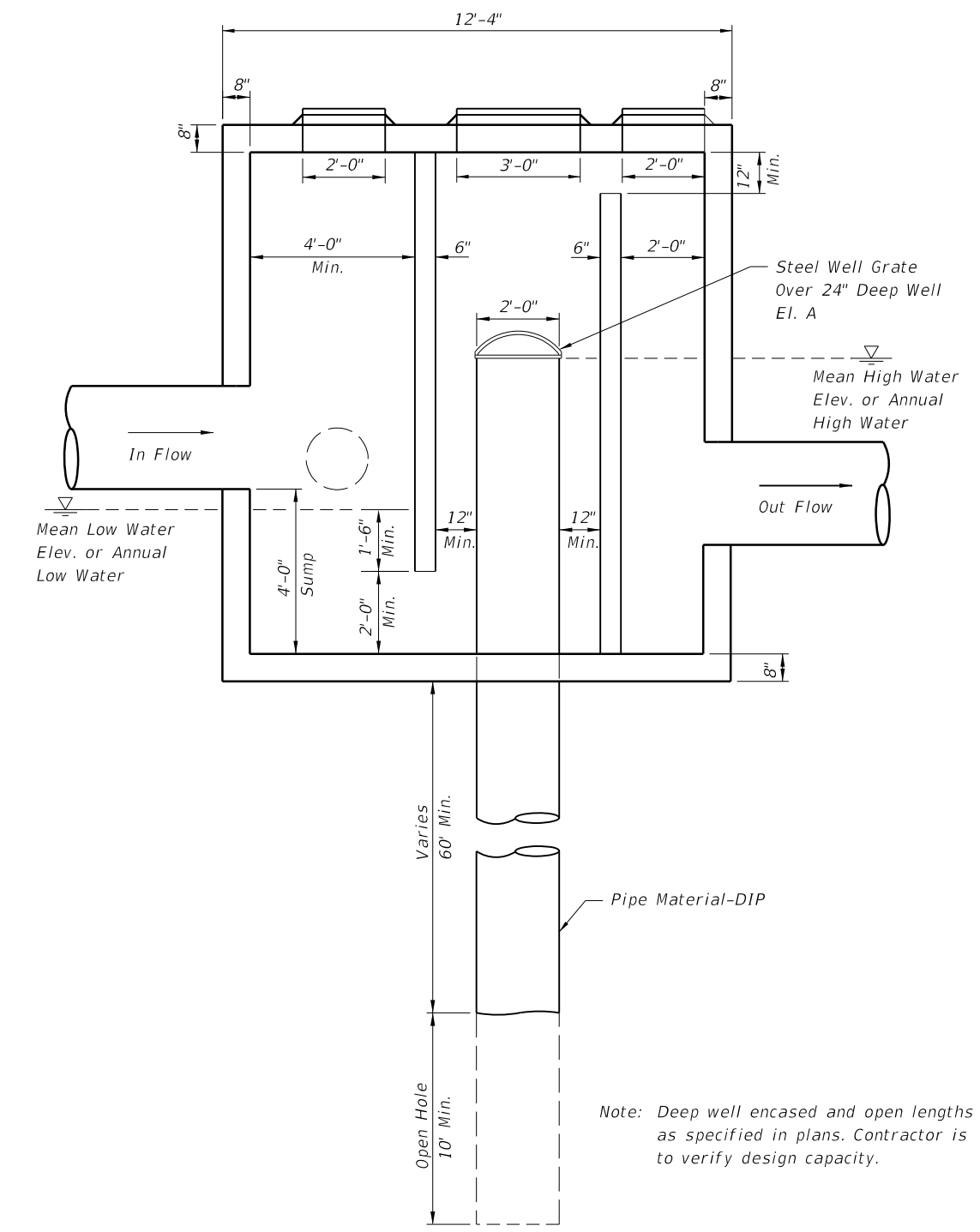


TOP SLAB PLAN



SECTION A-A

STRUCTURE WITH NO OUTFLOW



SPECIAL MANHOLE STRUCTURE  
DETAIL WITH OUTFALL

Note: Deep well encased and open lengths as specified in plans. Contractor is to verify design capacity.


Design Notes

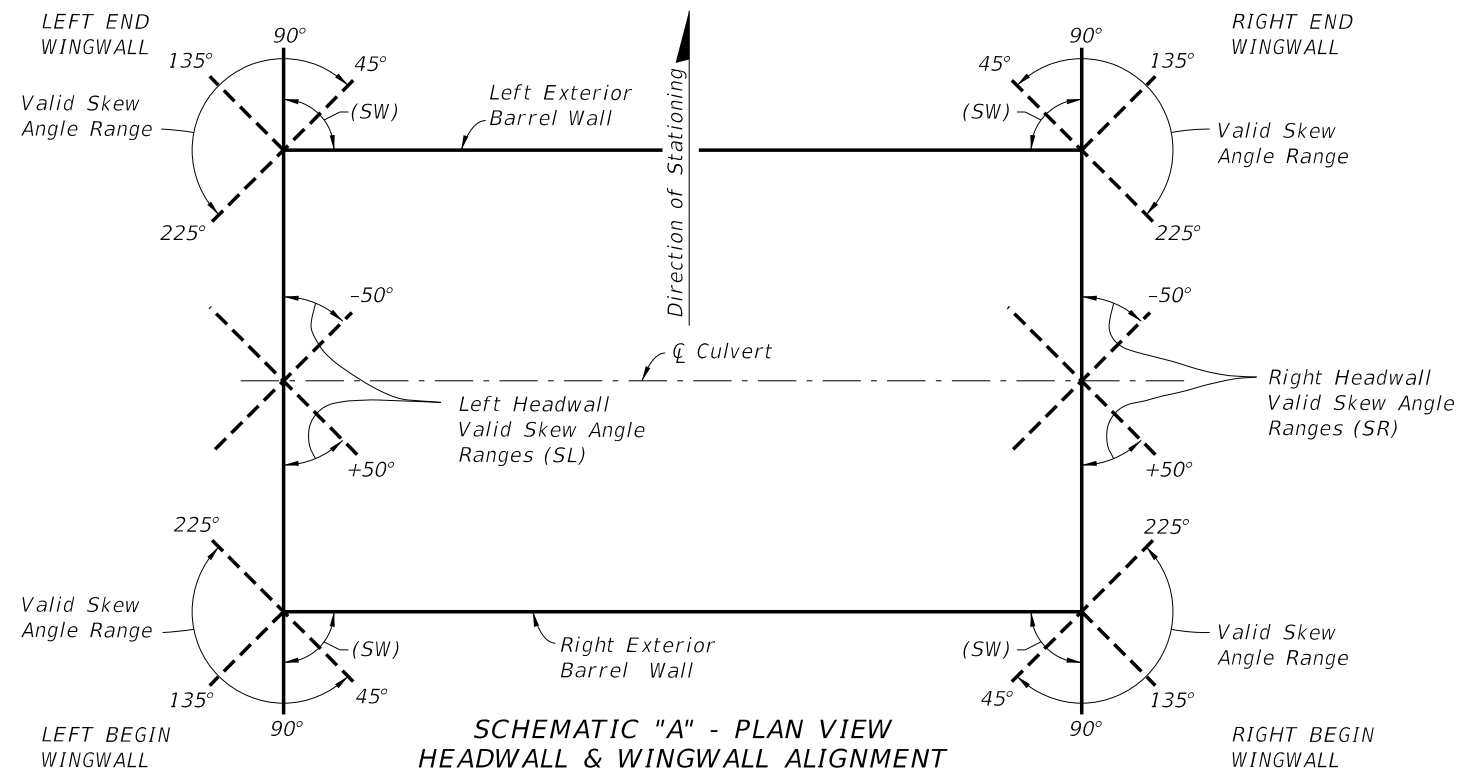
1. Depth of Casing Varies, 60' min.
2. Depth of Open Hole, 10'-20'.
3. Actual Size Of The Inflow And Outflow Chambers Will Be Determined By The Size Of The Pipes (Refer To Table 3 Of Index 200.) The Width Of The Box Shall Be Constant Based On The Largest Pipe. The Length Is To Be Adjusted Based On Size and Orientation Of The Pipes.

24" STEEL WELL GRATE

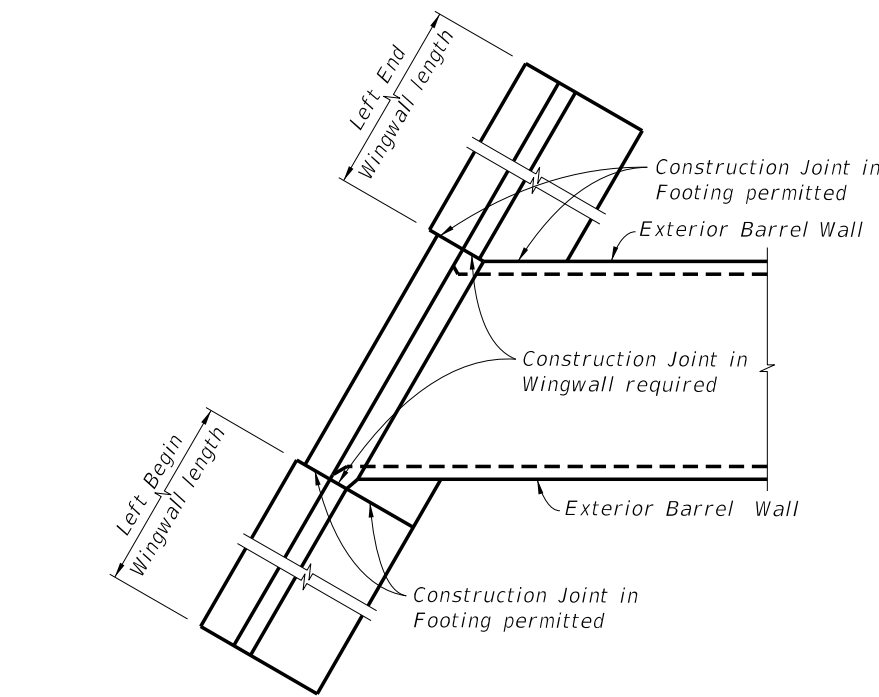
Heavy duty "bee hive" grate  
 Openings: 1-1/2" maximum  
 Total Opening: 1.7 sq ft minimum  
 For 24" well, outer diameter = 29"  
 Steel well grate to be installed over 24" deep well.  
 Steel grate to be hot dipped galvanized after fabrication, see Specification Section 962.

C:\projects\standards\roadway\00200-s\00288-01.dgn sm970re 3:21:42 PM 6/24/2013

LAST REVISION 07/01/13	REVISION	DESCRIPTION:	 <b>FDOT 2014 DESIGN STANDARDS</b>	<b>DEEP WELL INJECTION BOX</b>	INDEX NO. <b>288</b>	SHEET NO. <b>1 of 1</b>
---------------------------	----------	--------------	---	--------------------------------	-------------------------	----------------------------

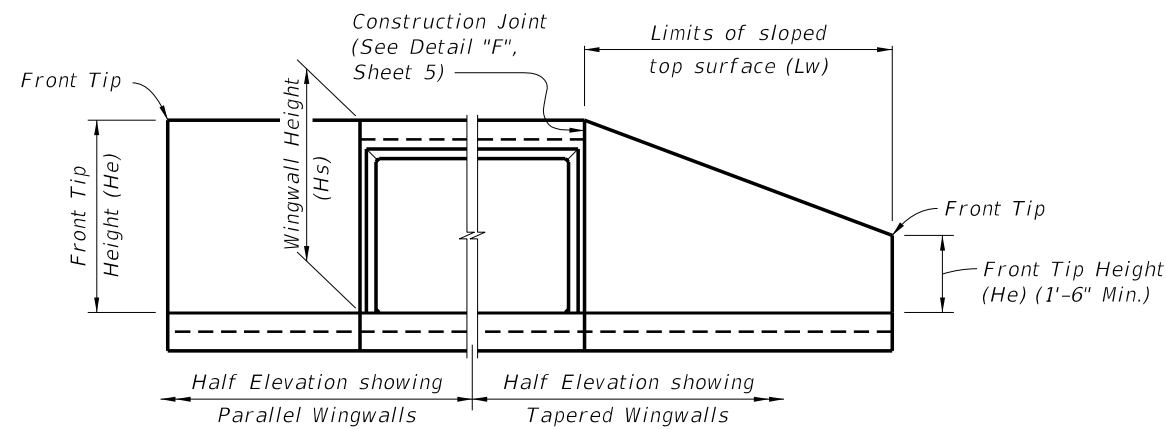


**NOTE:** All headwall and culvert skew angles are measured in degrees from a line perpendicular to the centerline of culvert (counter-clockwise positive), see Schematic "B".



**PART PLAN SHOWING PARALLEL WINGWALLS AND LOCATION OF CONSTRUCTION JOINTS**

**NOTE:** Construction Joints in wingwalls and footings are located as follows: For non-skewed wingwalls they are located adjacent to the exterior face of the exterior barrel wall; when the  $\text{C}$  of wingwall and  $\text{C}$  of exterior barrel wall results in an acute angle see Left End Wingwall above, and when the angle is obtuse see Left Begin Wingwall above and Detail C (Sheet 5).



**END ELEVATION OF CULVERT**

**GENERAL NOTES:**

LIVE LOAD: HL-93.

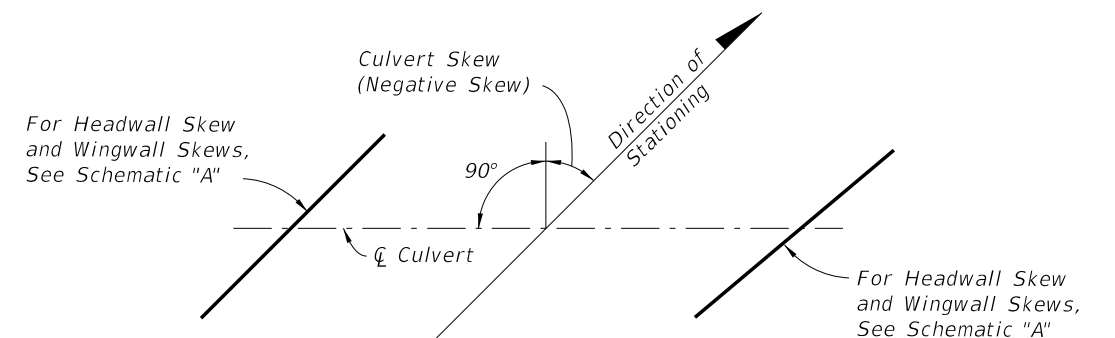
**CONSTRUCTION LOADING:** It is the construction Contractor's responsibility to provide for supporting construction loads that exceed AASHTO HL-93, and any construction load applied prior to 2 feet of compacted fill placed above the top slab.

**SURFACE FINISH:** All concrete surfaces shall receive a general surface finish.

**SKewed CONSTRUCTION JOINTS:** Construction joints in barrels of culverts with skewed wingwalls may be placed parallel to the headwalls and the reinforcing steel, and the slabs may be cut provided that the cut reinforcing steel extends beyond the construction joint enough for splices to be made in accordance with Table 1 on this sheet. The cost of construction joints and additional reinforcing shall be at the expense of the Contractor.

**CULVERT EXTENSIONS:** For cut backs and ties into existing concrete box culverts see Sheet 6 of 7.

**REINFORCING STEEL:** See the "Box Culvert Data Tables" in the Contract Plans for grade and bar spacing. See the Reinforcing Bar List in the Contract Plans for bar sizes and bar bending details.



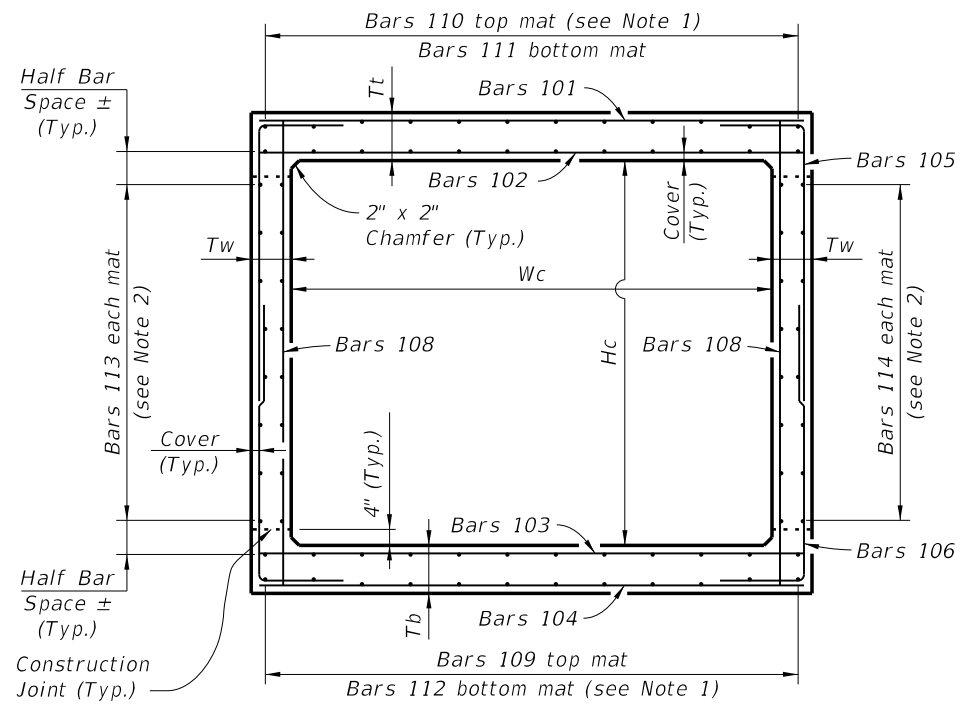
**SCHEMATIC "B" - PLAN VIEW CULVERT ALIGNMENT**

**NOTE:** For Culvert Skew see Contract Plans.

BAR SIZE	SPLICE (CLASS B)		BAR SIZE	SPLICE (CLASS B)	
	CLASS II (3400 psi)	CLASS IV (5500 psi)		CLASS II (3400 psi)	CLASS IV (5500 psi)
#3	1'-0"	1'-0"	#8	3'-6"	2'-9"
#4	1'-4"	1'-4"	#9	4'-5"	3'-6"
#5	1'-8"	1'-8"	#10	6'-7"	4'-5"
#6	1'-11"	1'-11"	#11	7'-10"	6'-5"
#7	2'-8"	2'-3"			

**TABLE 1 NOTE:** Splice lengths are based on an AASHTO Class B tension lap splice for the Specification Section 346 concrete class shown.

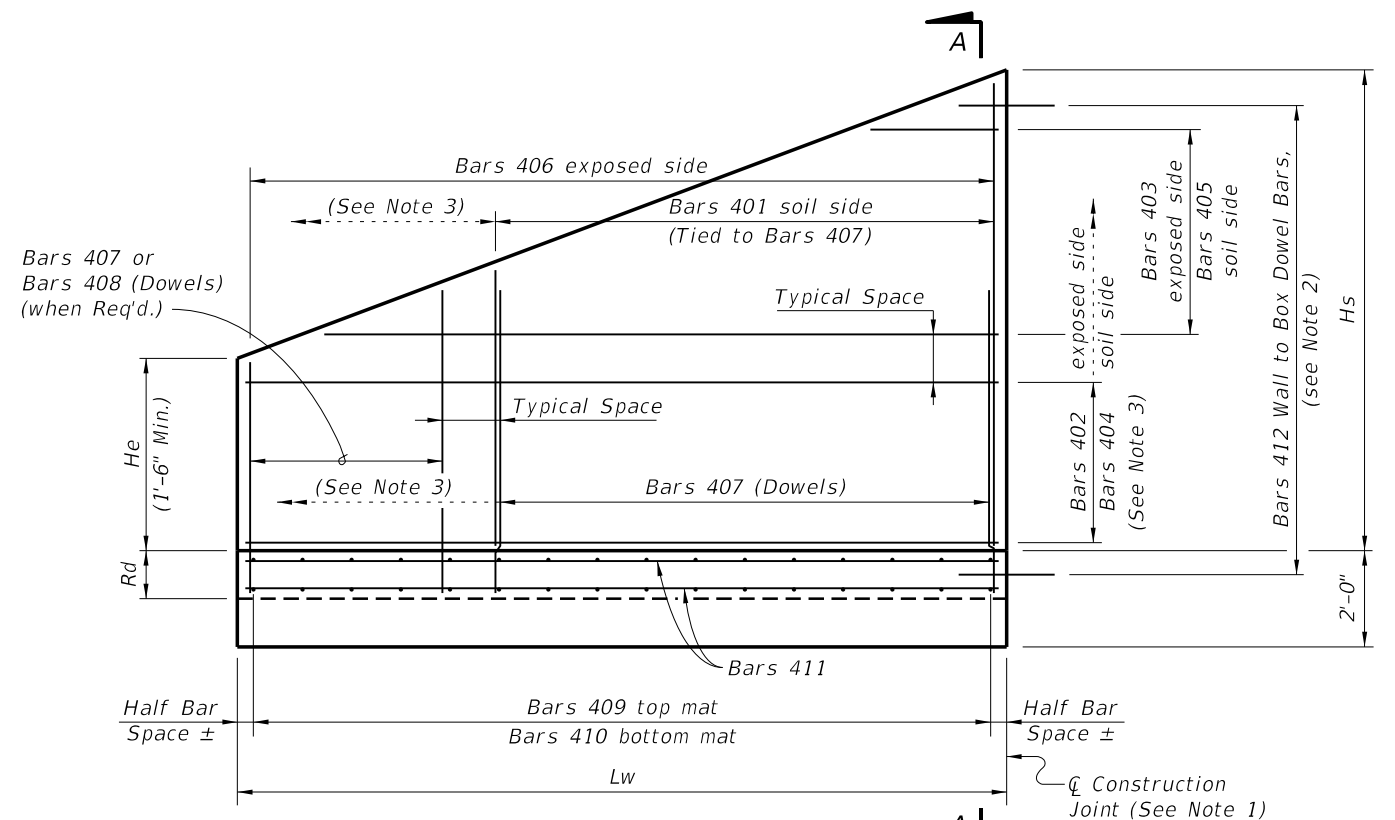
C:\projects\standards\structures\current\ready\4\release\2014\BOOK\00289-1of8.dgn sm970re 3:21:44 PM 6/24/2013



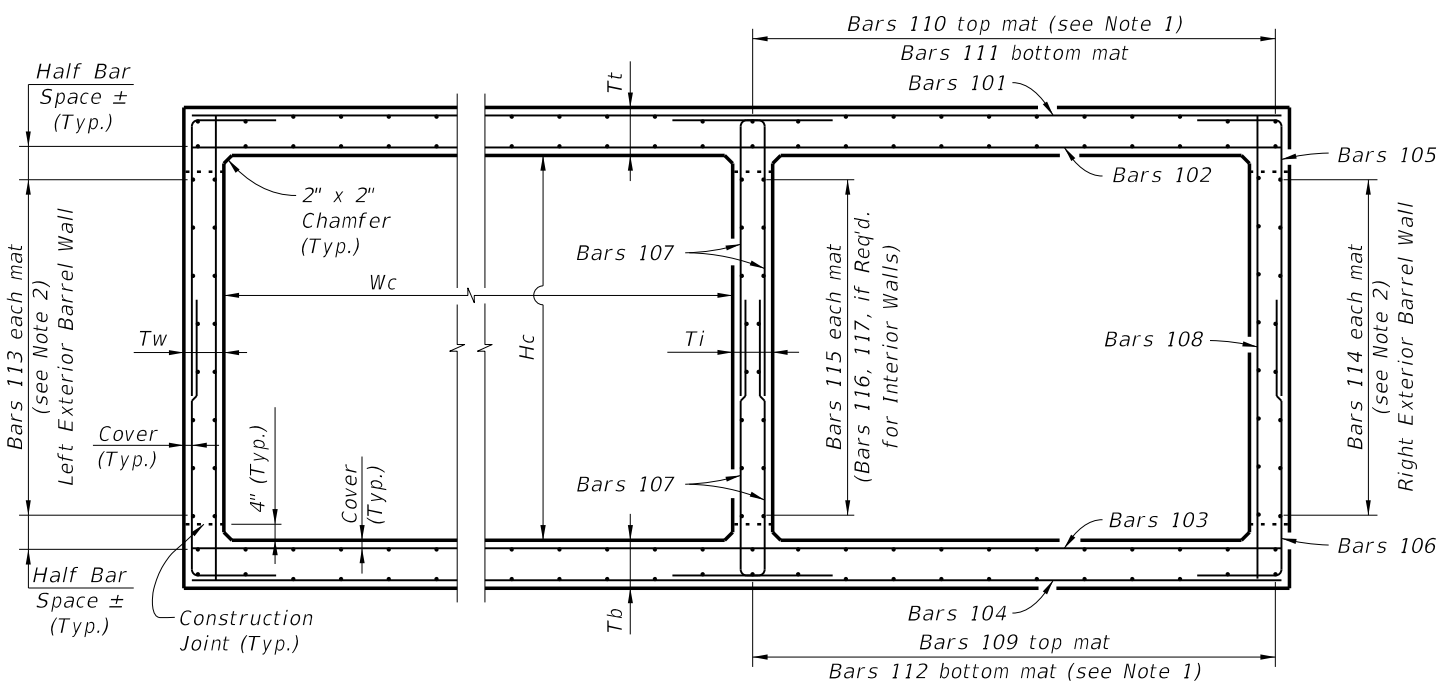
TYPICAL SECTION THRU SINGLE BARREL CULVERT

CULVERT BARREL NOTES:

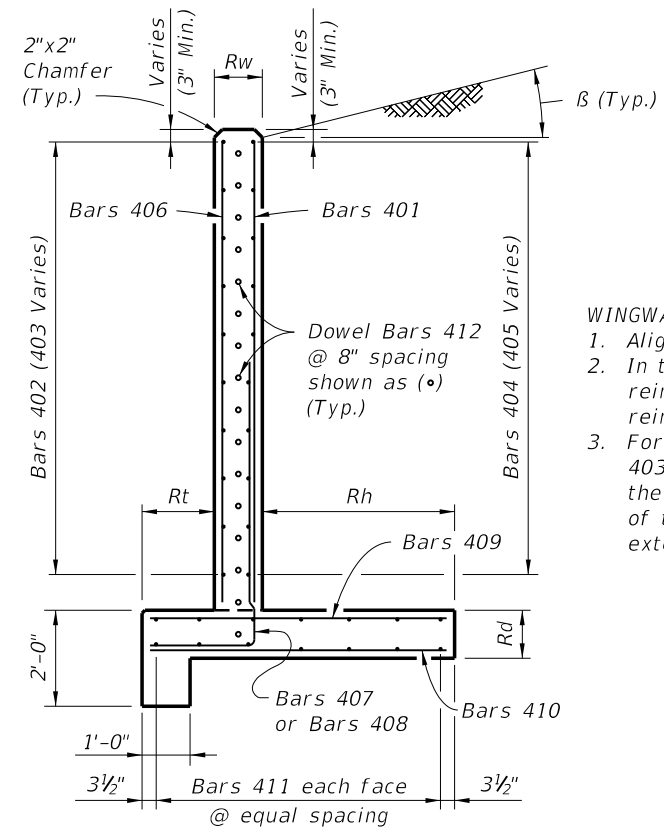
1. Space Bars 110 and 112 with a bar in each corner, and at the  $\phi$  of interior walls (for multiple barrel culverts only), and the remaining bars placed at equal spacing shown in the Contract Plans. Adjust last bar spacing when required.
2. Place Bars 113 and 114 at spacing shown in the Contract Plans evenly between Bars 109 and 111.
3. Locate the first transverse bar from the ends of the culvert at one half the bar spacing, but provide the minimum reinforcement cover and not greater than 4" clear.



WINGWALL ELEVATION - Variable Height  
(Left End shown - other corners similar)



TYPICAL SECTION THRU MULTIPLE BARREL CULVERT




WINGWALL SECTION A-A

WINGWALL NOTES:

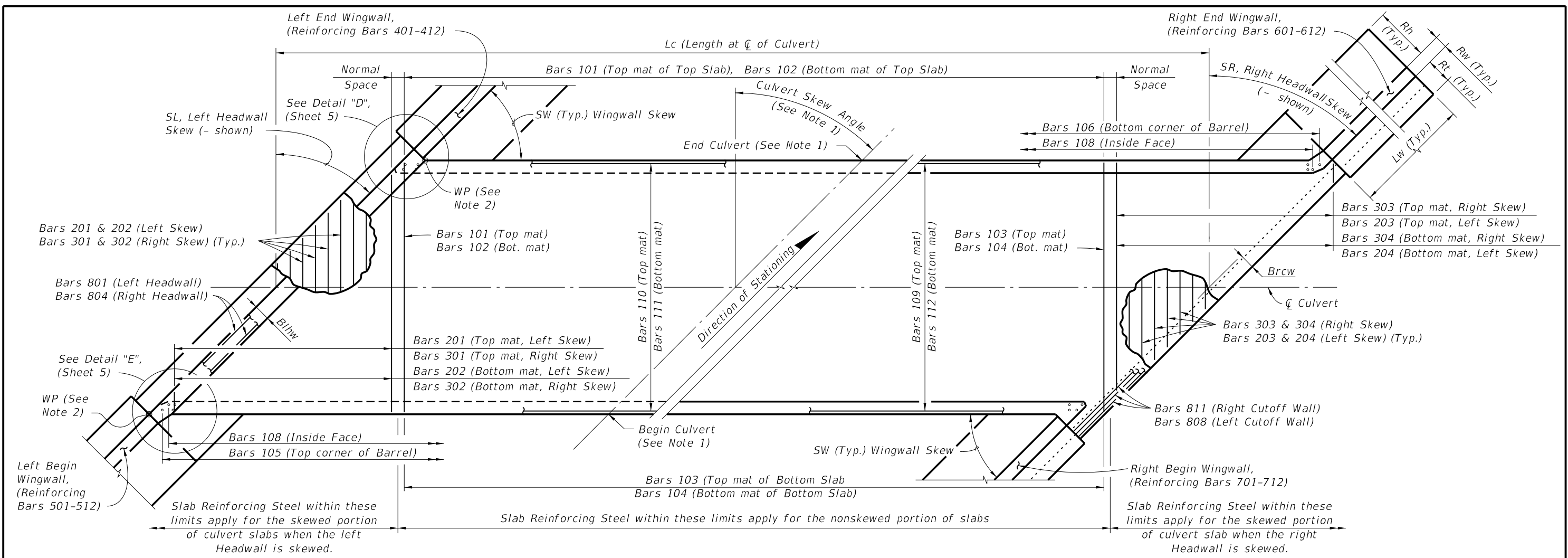
1. Align construction joint perpendicular to wingwall.
2. In the vicinity of the construction joint, field bend reinforcement as necessary to maintain minimum reinforcement cover.
3. For constant height wingwalls, variable length Bars 403, 405 & 408 are not required, and as such the limits of Bars 401 & 407 extend the full length of the wingwall, and the limits of Bars 402 & 404 extend to the full height of the wingwall.

6/24/2013 3:21:46 PM sm970re C:\projects\standards\structures\current\ready\4release\2014B00K\00289-2of8.dgn

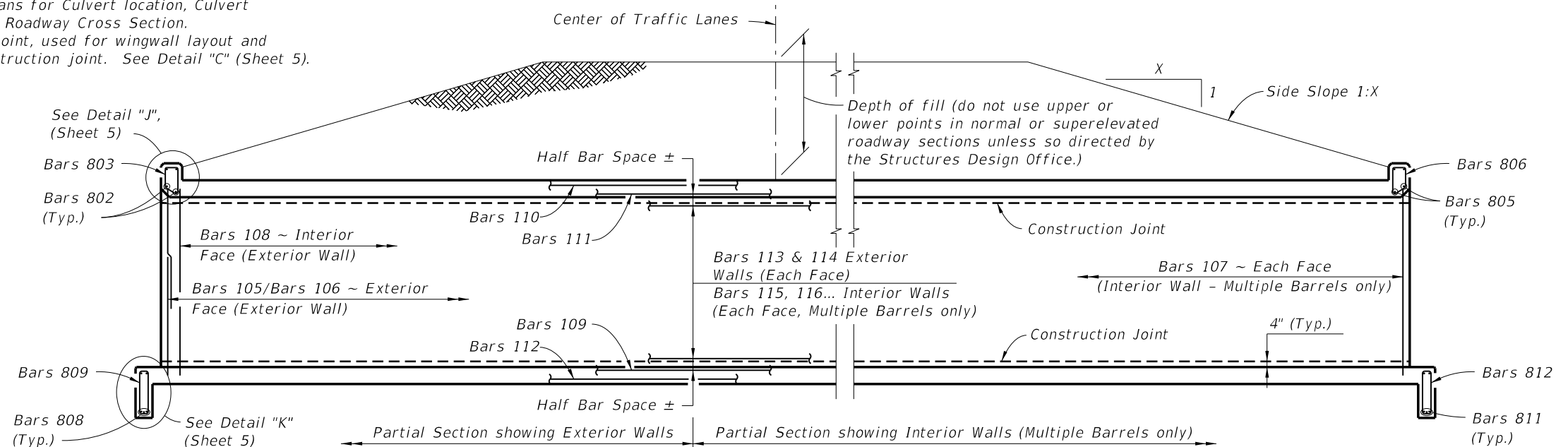
LAST REVISION 07/01/13	REVISION	DESCRIPTION:	 <b>FDOT 2014 DESIGN STANDARDS</b>	<b>CONCRETE BOX CULVERT DETAILS (LRFD)</b>	INDEX NO. <b>289</b>	SHEET NO. <b>2 of 8</b>
---------------------------	----------	--------------	--	--	-------------------------	----------------------------



C:\projects\standards\structures\current\ready\4release\2014\BOK\00289-3of8.dgn  
 sm970re  
 3:21:48 PM  
 6/24/2013

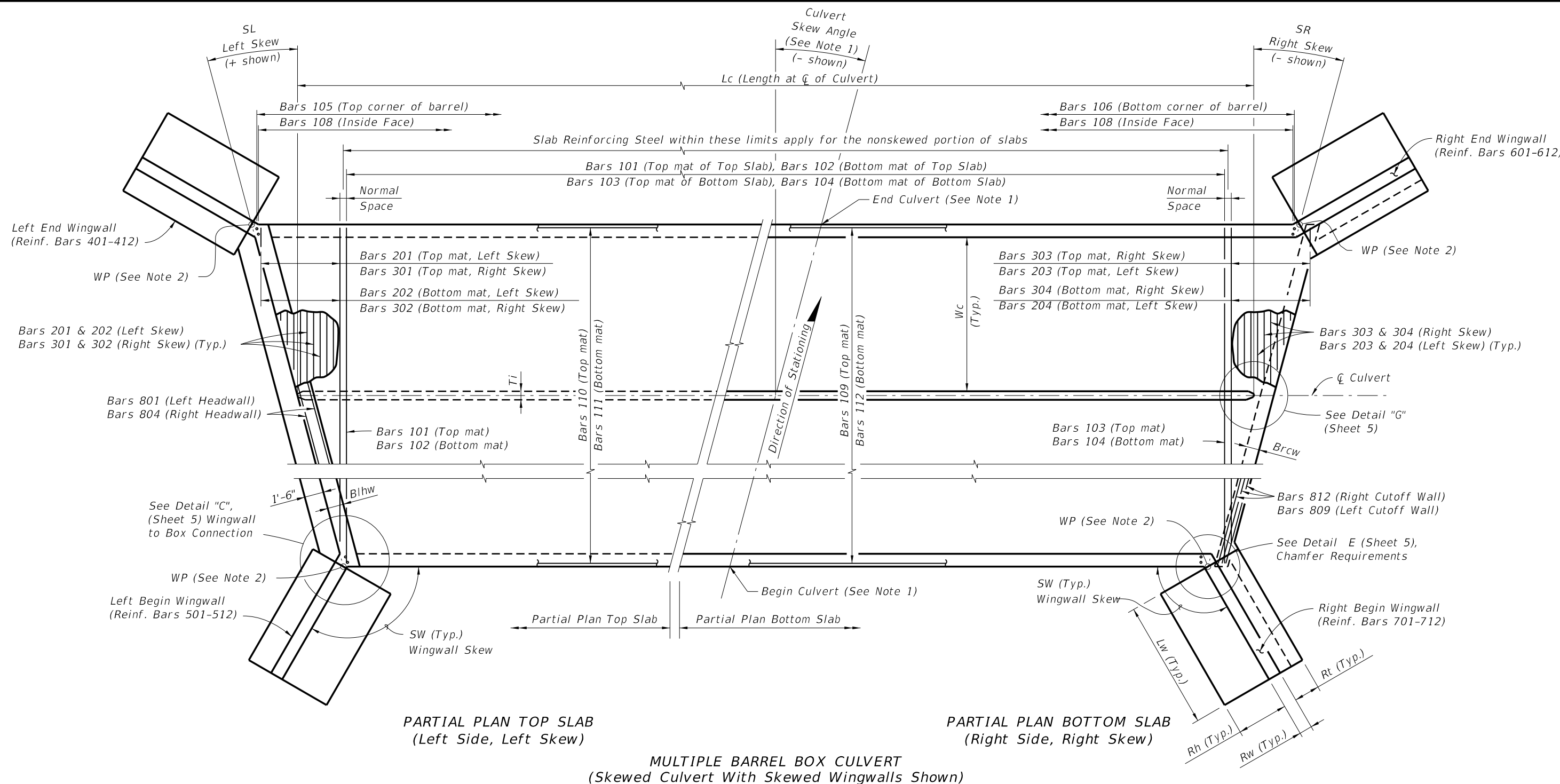


- NOTES:**
1. See Contract Plans for Culvert location, Culvert Skew Angle and Roadway Cross Section.
  2. WP = Working Point, used for wingwall layout and location of construction joint. See Detail "C" (Sheet 5).



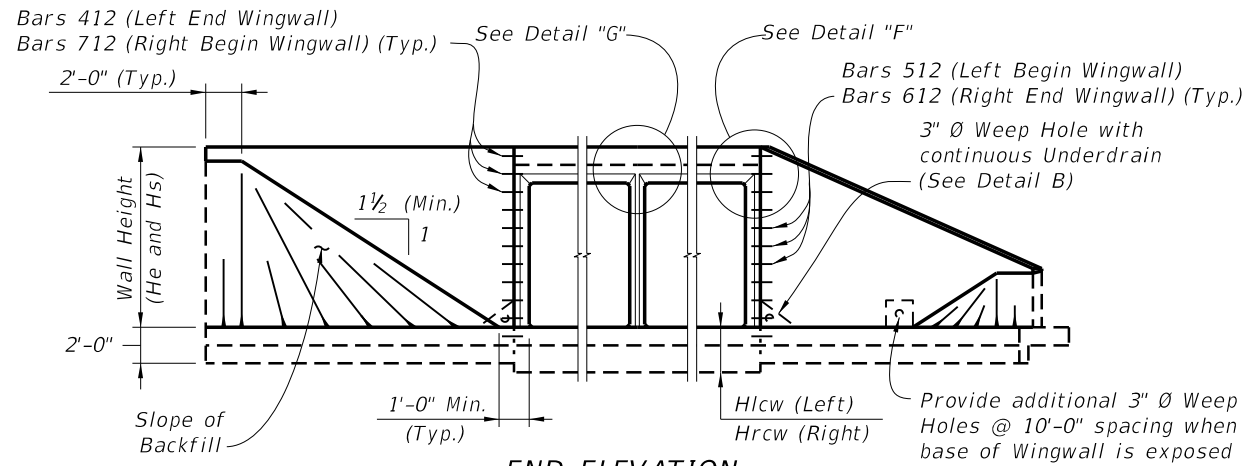
LAST REVISION	01/01/07	DESCRIPTION:	<b>FDOT 2014 DESIGN STANDARDS</b>	<b>CONCRETE BOX CULVERT DETAILS (LRFD)</b>	INDEX NO. <b>289</b>	SHEET NO. <b>3 of 8</b>
---------------	----------	--------------	---------------------------------------	--	-------------------------	----------------------------

C:\projects\standards\structures\current\ready\4release\2014BOOK\00269-4of8.dgn  
 sm970re  
 3:21:50 PM  
 6/24/2013

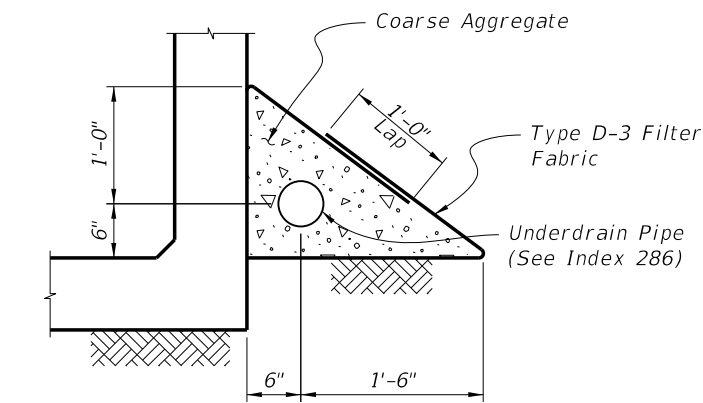


- NOTES:**
- See Contract Plans for Culvert Location, Culvert Skew Angle and Roadway Cross Section.
  - WP = Working Point, used for wingwall layout and location of construction joint. See Detail C (Sheet 5).

LAST REVISION 01/01/07	REVISION	DESCRIPTION:	 <b>FDOT 2014</b> <b>DESIGN STANDARDS</b>	<b>CONCRETE BOX CULVERT DETAILS (LRFD)</b>	INDEX NO. <b>289</b>	SHEET NO. <b>4 of 8</b>
---------------------------	----------	--------------	---	--	-------------------------	----------------------------



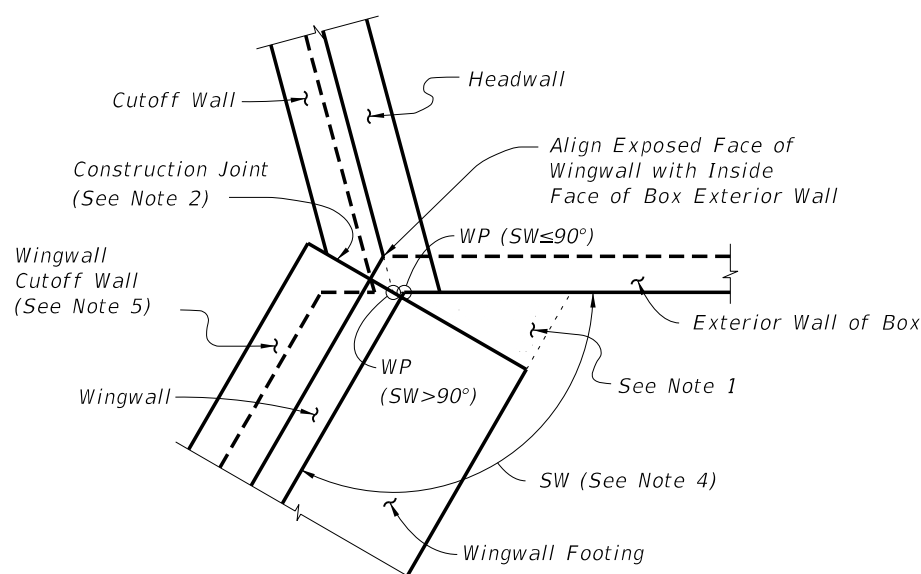
**END ELEVATION**  
(Showing Constant Height And Variable Height Wingwalls)



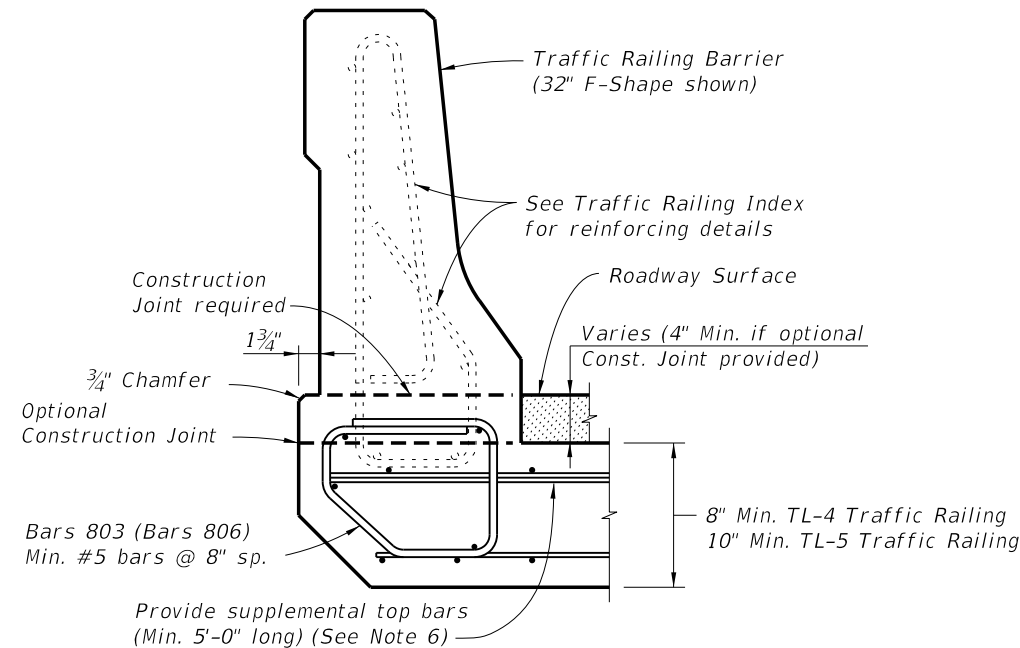
**DETAIL "B"**  
**UNDERDRAIN DETAIL**  
(Similar to Type II ~ Index 286)

**NOTES:**

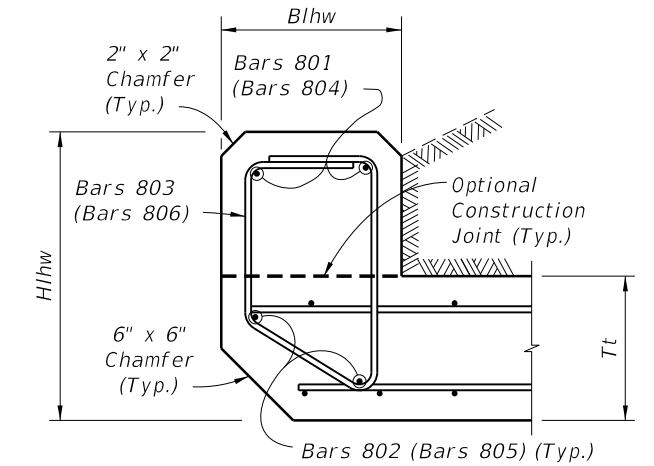
1. For small angles, the Contractor may elect to fill the area between the box and the wingwall footing with unreinforced concrete. For wingwall skew angles less than 90 degrees, field bend wingwall reinforcement as necessary while maintaining cover. No additional payment will be made for this work.
2. Location of Construction Joint determined by WP at theoretical intersection of:
  - Soil side face of Headwall and outside face of Box Exterior Wall, for  $SW \leq 90^\circ$ ;
  - Outside face of Wingwall and outside face of Box Exterior Wall, for  $SW > 90^\circ$ .
3. Provide 6" chamfer when angle 'A' is greater than 45°. Maintain minimum wall thickness. Field adjust reinforcing to maintain cover.
4. Wingwall Skew Angles (SW) are measured from the adjacent box exterior wall to the wingwall.
5. Turn or extend Wingwall Cutoff Wall as necessary to meet Box Cutoff Wall.
6. Provide additional reinforcement in the top of the top slab below traffic railings to ensure a minimum area of 0.80 sq. in./ft. transverse reinforcing.



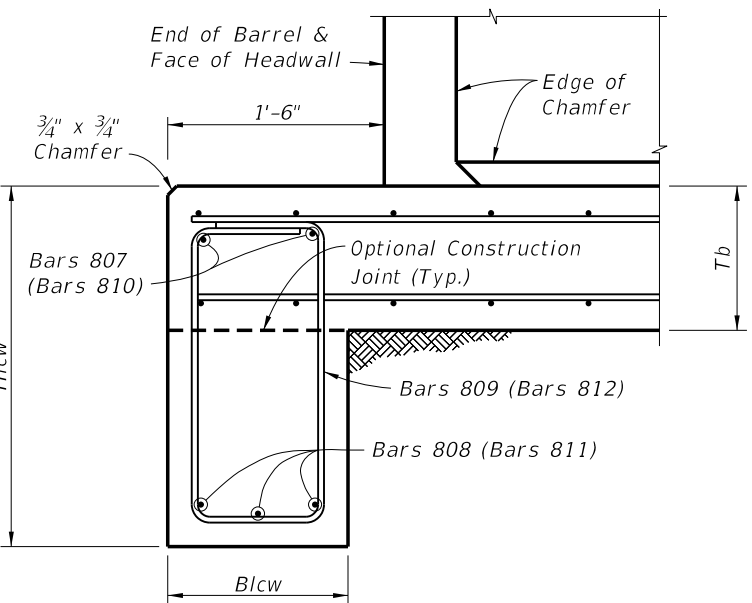
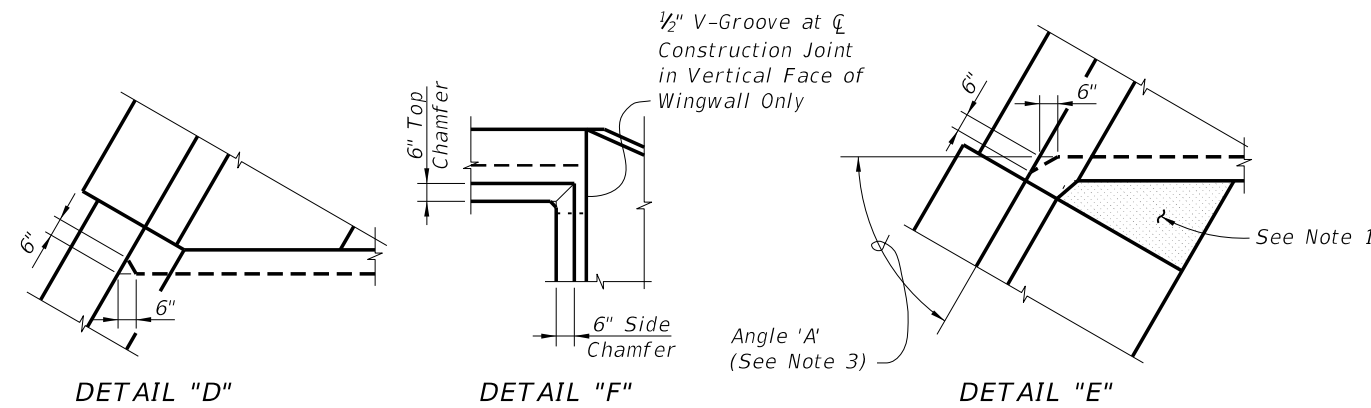
**DETAIL "C" - PLAN VIEW**  
**WINGWALL TO BOX CONNECTION**  
(Left Begin Corner Shown, Other Corners Similar)



**DETAIL "I"**  
**TRAFFIC RAILING ATTACHMENT TO HEADWALL**




**DETAIL "J"**  
**LEFT HEADWALL SECTION**  
(Right Headwall similar)

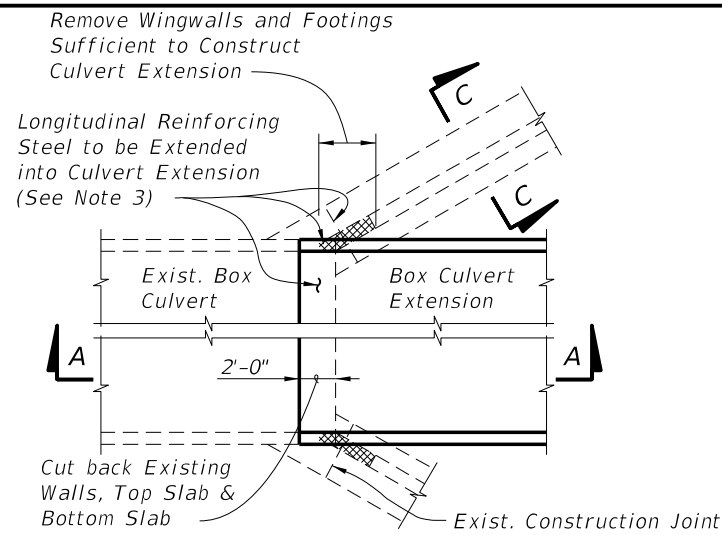


**DETAIL "K"**  
**LEFT CUTOFF WALL SECTION**  
(Right Cutoff Wall similar)

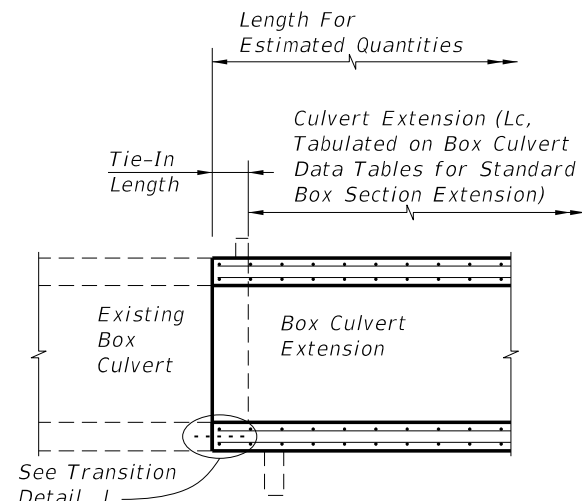
**CROSS REFERENCE:**  
See Sheet 3 for locations of Details "D", "E", "J" & "K".  
See Sheet 4 for locations of Detail "C".

C:\projects\standards\structures\current\ready\4release\2014\BOOK\00289-5of8.dgn 3:21:52 PM sm970re 6/24/2013

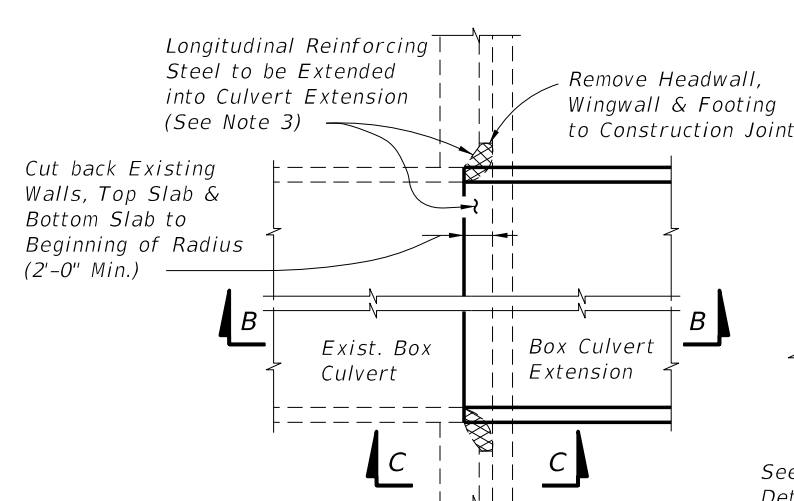
<b>LAST REVISION</b> 01/01/10	<b>REVISION</b>	<b>DESCRIPTION:</b>	 <b>FDOT 2014</b> <b>DESIGN STANDARDS</b>	<b>CONCRETE BOX CULVERT DETAILS (LRFD)</b>	<b>INDEX NO.</b> 289	<b>SHEET NO.</b> 5 of 8
----------------------------------	-----------------	---------------------	--	--	-------------------------	----------------------------



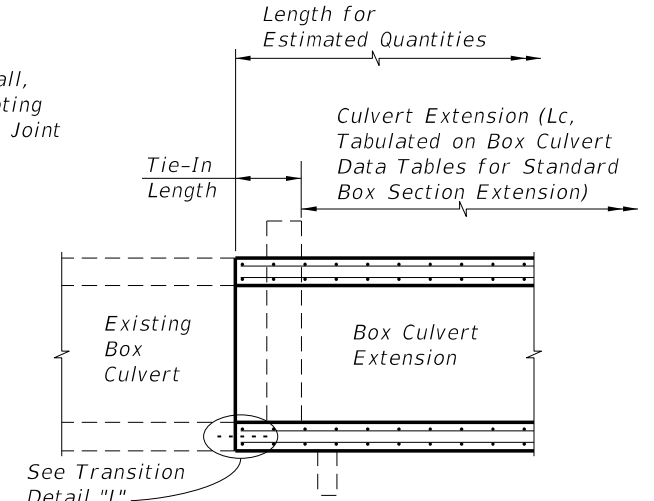
OUTSIDE WALLS OF BOXES



SECTION A-A

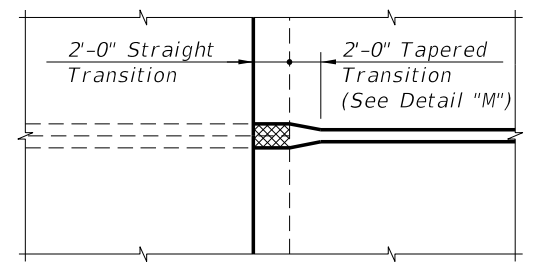


OUTSIDE WALLS OF BOXES

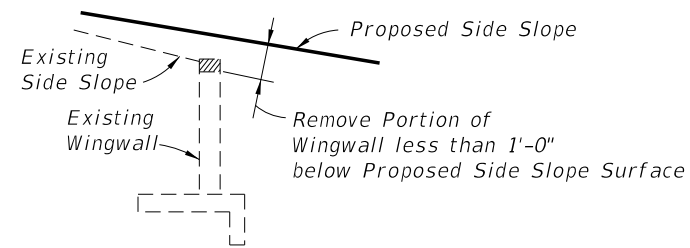


SECTION B-B

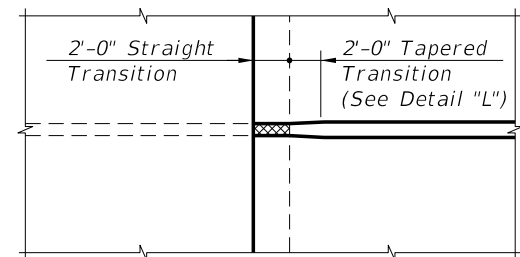
FLARED WINGWALL



INTERIOR DOUBLE WALLS OF BOXES



SECTION C-C



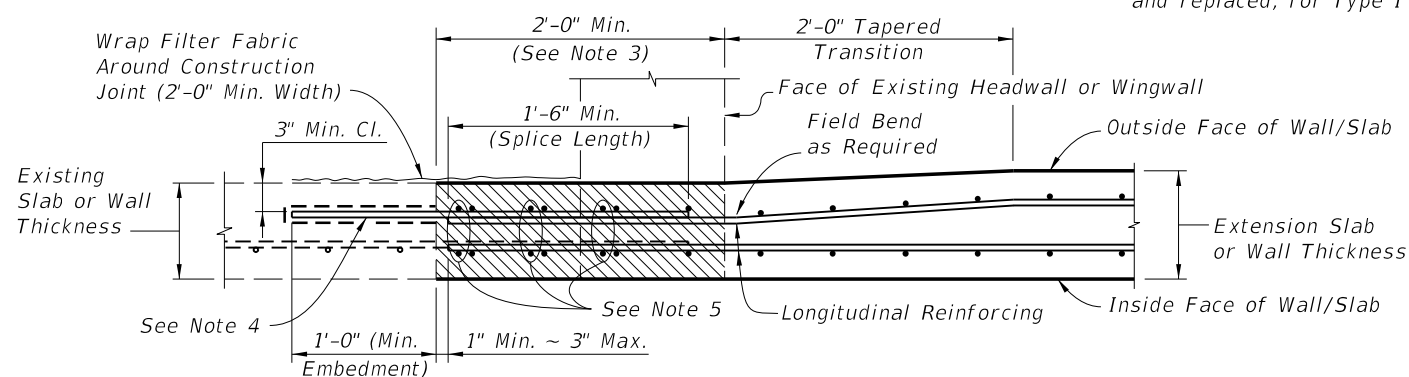
INTERIOR SINGLE WALLS OF BOXES

STRAIGHT WINGWALL

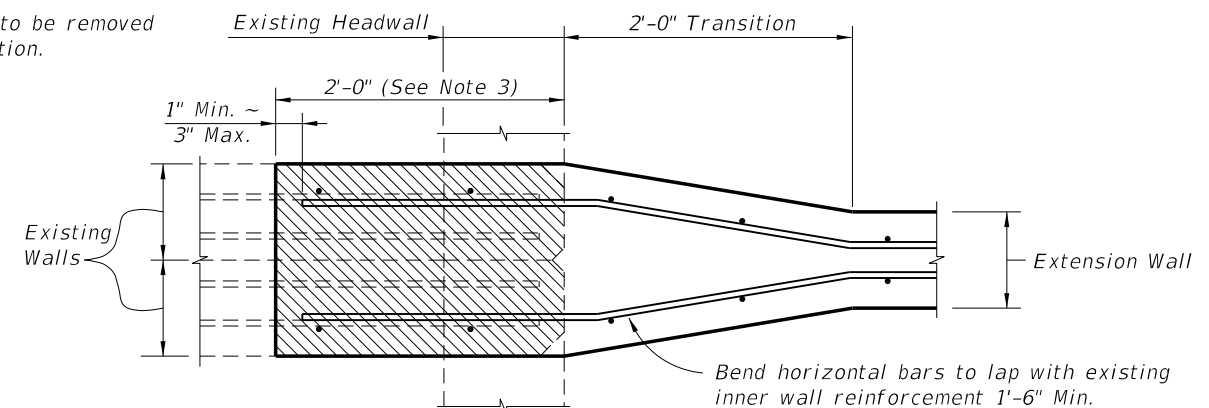
NOTES:

1. The Box Culvert Data Tables and Reinforcing Bar List do not include the additional quantities needed for dowel connections or transitions from double walls of existing concrete box culverts; the cost for additional reinforcement and the thickened concrete wall in the transitional area shall be included in the costs for concrete and steel in the culvert extension.
2. Cost for removal and disposal of material from existing headwalls, wingwalls and box, and cost of cleaning, straightening and extending or doweling longitudinal reinforcing steel shall be included in the cost for concrete and steel of the culvert extension.
3. Remove existing concrete while avoiding damage to existing reinforcement. Clean and straighten existing reinforcement, lap and tie onto extension reinforcement.
4. Dowel in #4 Bars @ 1'-0" max. spacing into wall/slab when there is a single mat of existing reinforcing steel, otherwise splice 1'-6" as shown for inside reinforcement. Use an Adhesive Bonding Material System in accordance with Specifications Section 416 & 937.
5. Provide additional transverse bars for top and bottom slab, parallel and full width of any skewed joint connection when shown in the Plans.
6. See Box Culvert Data Table notes in Plans for Connection Types allowed.

PLAN VIEWS




DETAIL "L" - TRANSITION FOR EXTERIOR WALL/SLAB EXTENSION (Interior Single Walls Similar)

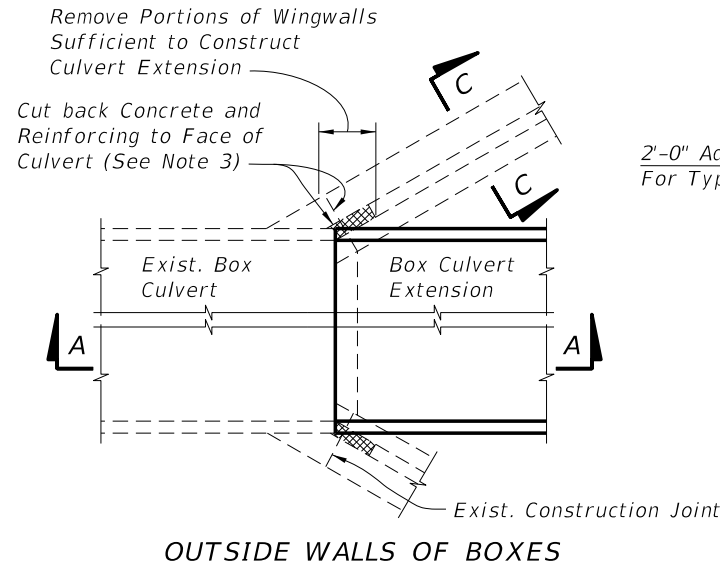


DETAIL "M" - TRANSITION FOR INTERIOR DOUBLE WALLS OF BOX CULVERTS

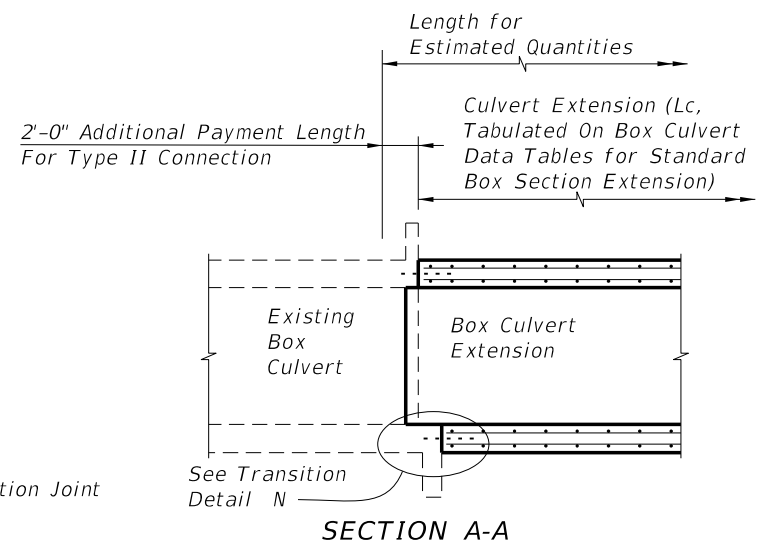
TYPE I CONNECTION DETAILS FOR CONCRETE BOX CULVERT EXTENSIONS (CUT BACK EXISTING CONCRETE)

C:\projects\standards\structures\current\ready\4\release\2014\BOOK\00269-6of8.dgn sm970re 3:21:54 PM 6/24/2013

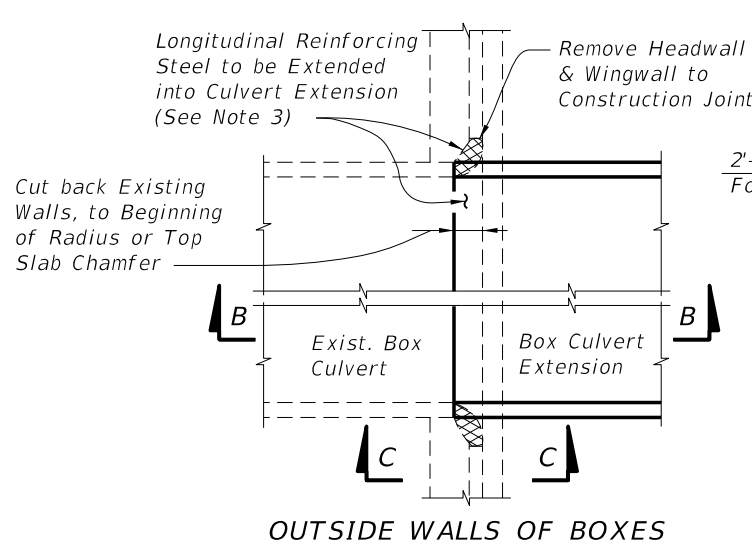
LAST REVISION 01/01/12	REVISION	DESCRIPTION:	 FDOT 2014 DESIGN STANDARDS	CONCRETE BOX CULVERT DETAILS (LRFD)	INDEX NO. 289	SHEET NO. 6 of 8
---------------------------	----------	--------------	---	-------------------------------------	------------------	---------------------



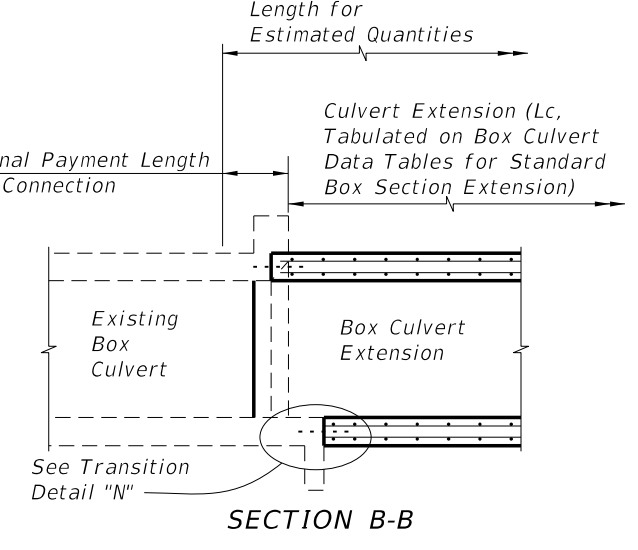
OUTSIDE WALLS OF BOXES



SECTION A-A



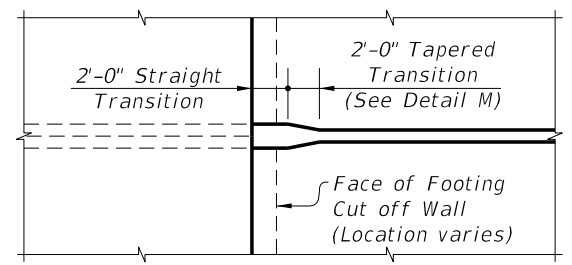
OUTSIDE WALLS OF BOXES



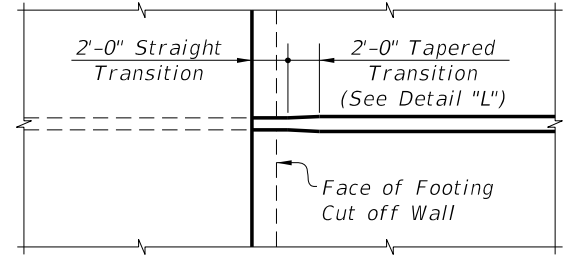
SECTION B-B

FLARED WINGWALL

STRAIGHT WINGWALL

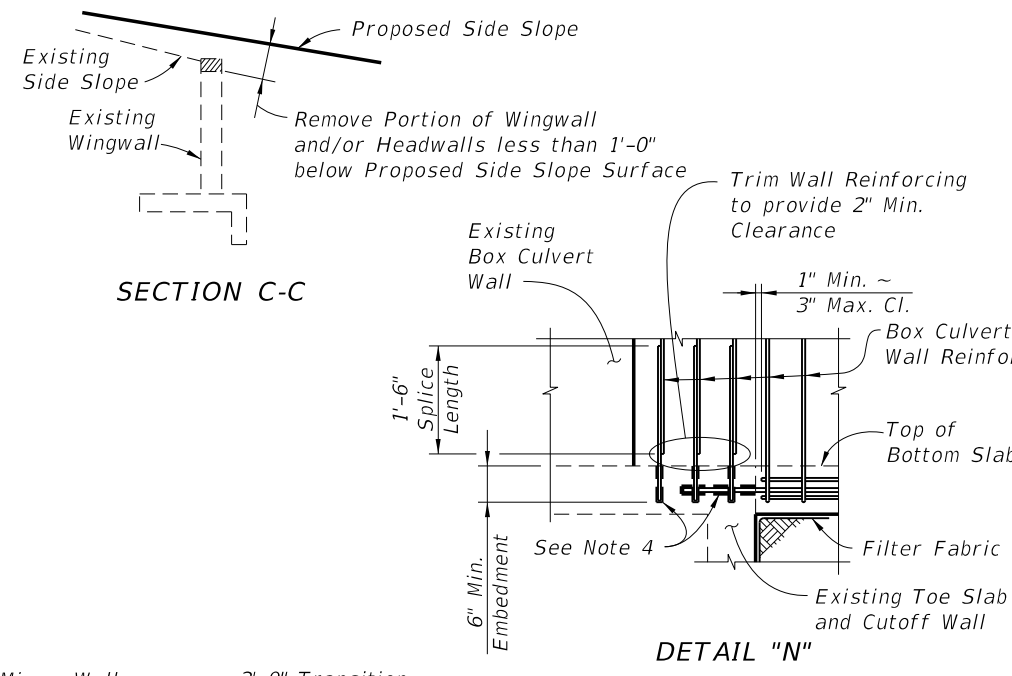


INTERIOR DOUBLE WALLS OF BOXES



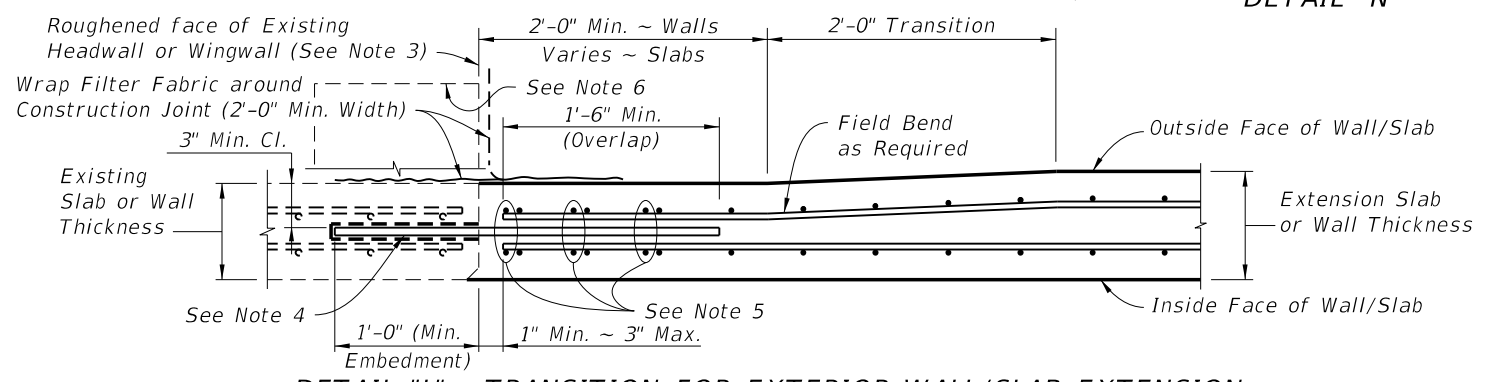
INTERIOR SINGLE WALLS OF BOXES

PLAN VIEWS

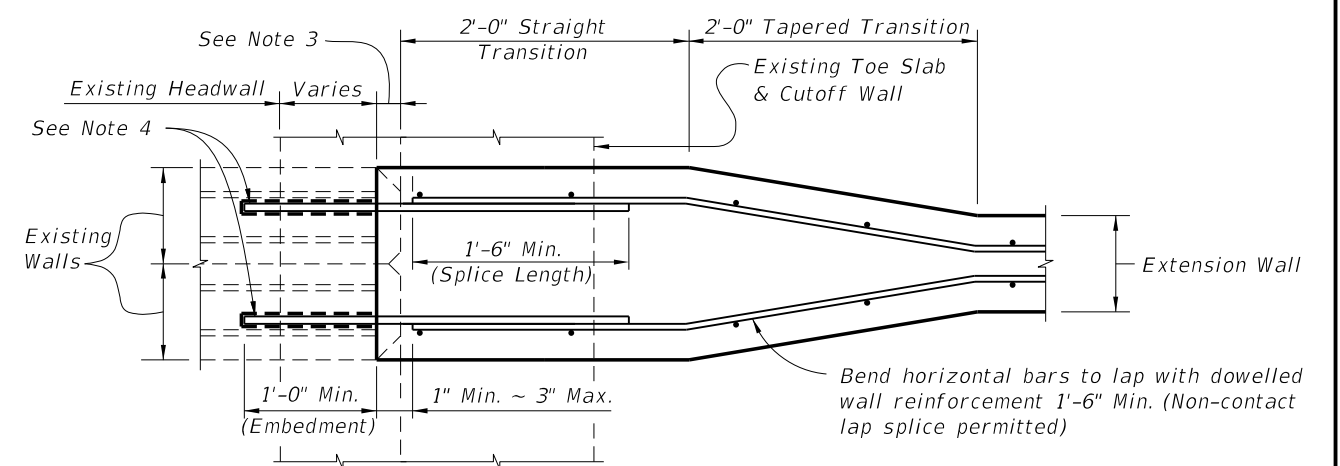


SECTION C-C

DETAIL "N"



DETAIL "L" - TRANSITION FOR EXTERIOR WALL/SLAB EXTENSION  
(Interior Single Walls Similar)




DETAIL "M" - TRANSITION FOR INTERIOR DOUBLE WALLS OF BOX CULVERTS

NOTES:

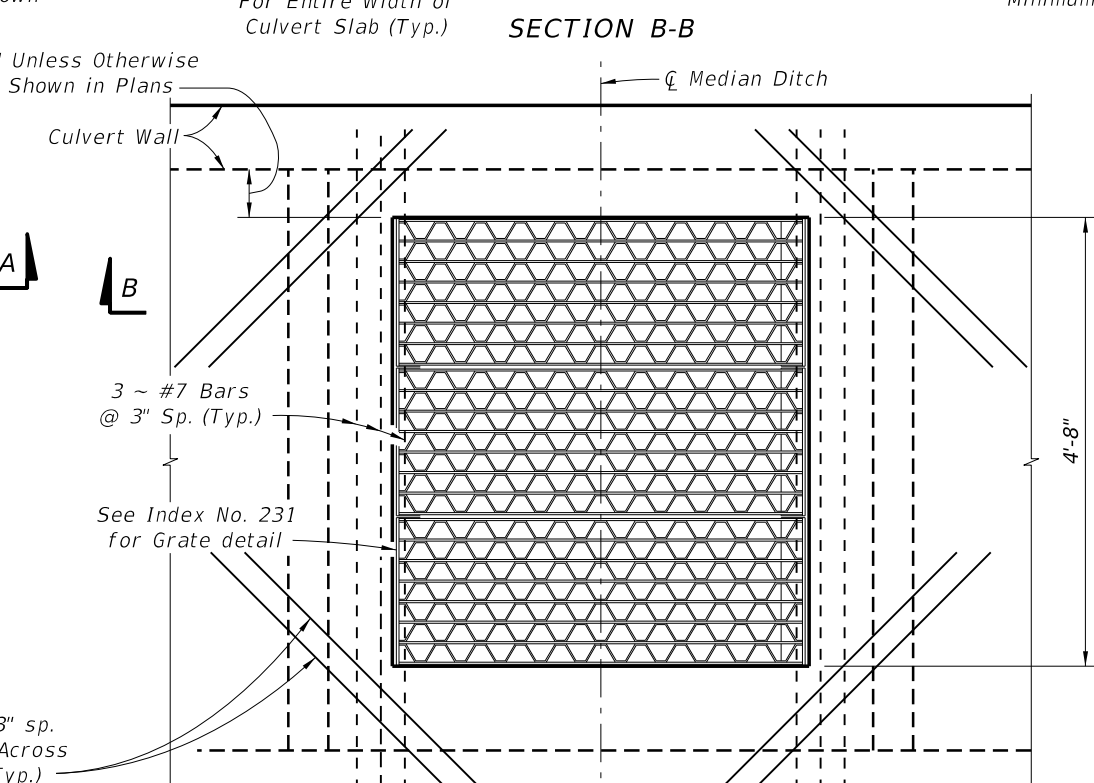
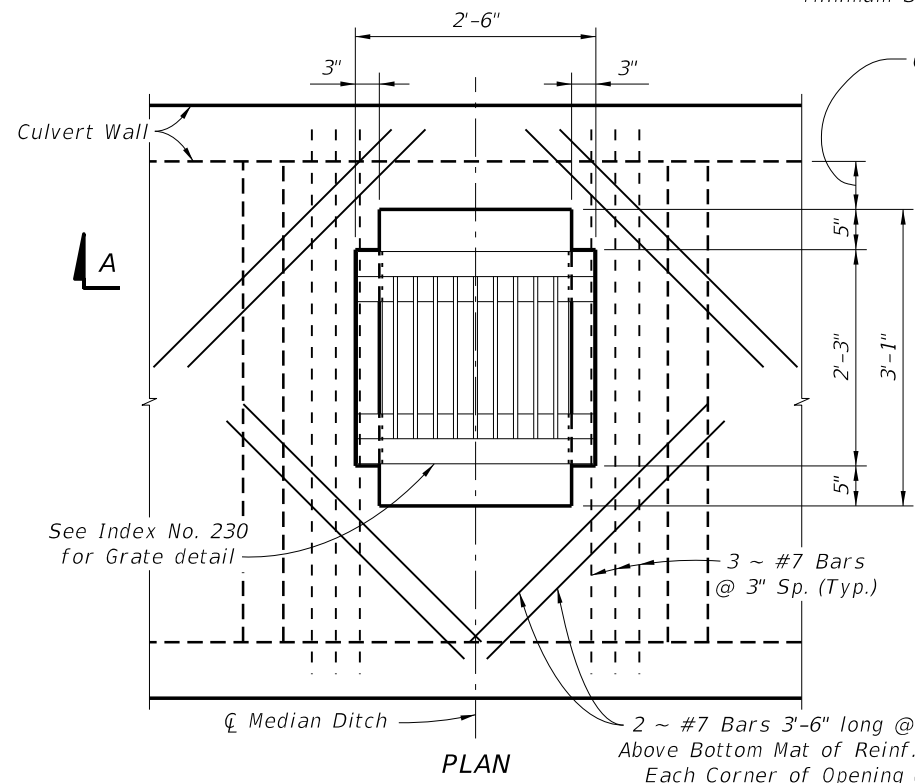
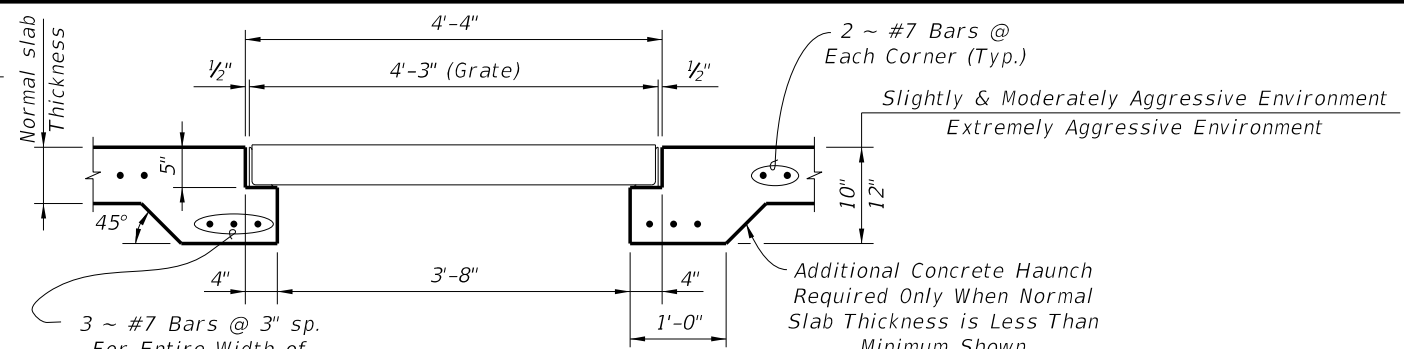
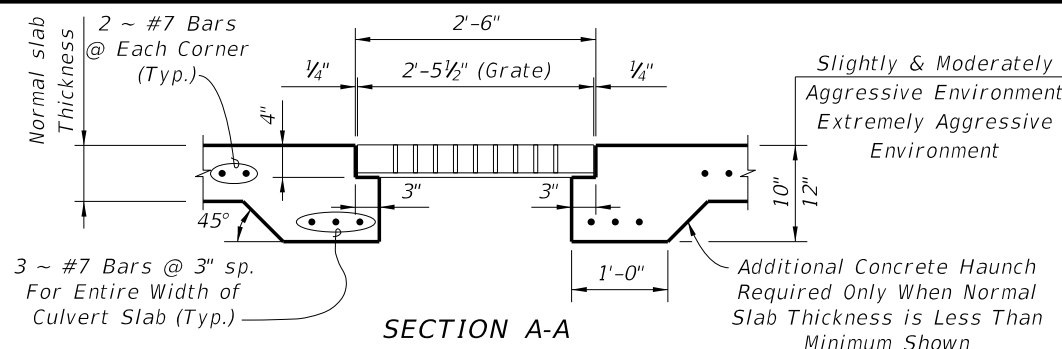
1. The Box Culvert Data Tables and Reinforcing Bar List do not include the additional quantities needed for dowel connections or transitions from double walls of existing concrete box culverts; the cost for additional reinforcement and the thickened concrete wall in the transitional area shall be included in the costs for concrete and steel in the culvert extension.
2. Cost for roughening and cleaning existing headwalls, wingwalls and box, and cost of doweling longitudinal reinforcing steel shall be included in the cost for concrete and steel of the culvert extension.
3. Remove existing concrete and reinforcing back to edge of any chamfers exceeding 1". Roughen and clean existing or exposed surface and coat with a Type A epoxy bonding compound in accordance with the manufacturer's recommendations.
4. Dowel in #5 Bars @ 1'-0" max. spacing horizontally into center of wall/slab. Provide vertical dowels in footing to match size, alignment and spacing of outside vertical wall reinforcing. Use an Adhesive Bonding Material System in accordance with Specifications Section 416 & 937.
5. Provide additional transverse bars for top and bottom slab, parallel and full width of any skewed joint connection when shown in the Plans.
6. Remove top of existing headwall when necessary to provide 1'-0" clearance below finished grade. Saw cut full width and seal with Type F-2 epoxy compound to protect exposed reinforcing.
7. See Box Culvert Data Table notes in Plans for Connection Types allowed.

TYPE II CONNECTION DETAILS FOR CONCRETE BOX CULVERT EXTENSIONS  
(ADHESIVE DOWEL TO EXISTING CONCRETE)

C:\projects\standards\structures\current\ready\4release\2014\BOOK\00289-7of8.dgn 3:21:56 PM 6/24/2013

LAST REVISION 01/01/12	DESCRIPTION:	 <b>FDOT 2014 DESIGN STANDARDS</b>	<b>CONCRETE BOX CULVERT DETAILS (LRFD)</b>	INDEX NO. 289	SHEET NO. 7 of 8
REVISION					

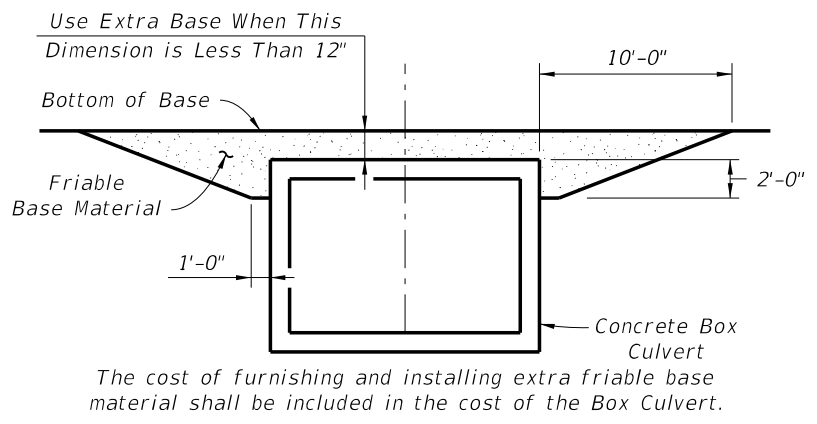
C:\projects\standards\structures\current\ready\4release\2014BOOK\00269-8of8.dgn  
 smg70re  
 3:21:58 PM  
 6/24/2013



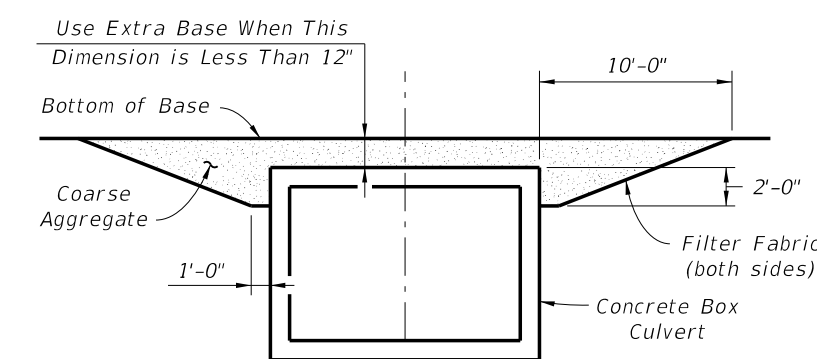
**INLET TYPE A GRATE**

**INLET TYPE B GRATE**

- NOTES:**
1. Cost of Steel Grating to be included in cost of Box Culvert.
  2. All reinforcing shall be 2" clear for Slightly and Moderately Aggressive Environments, and 3" clear for Extremely Aggressive Environments.



**FRIABLE BASE**



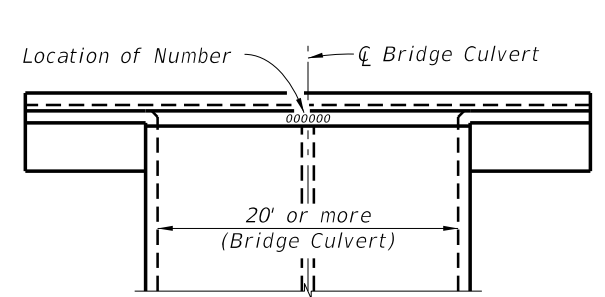
**ASPHALTIC CONCRETE BASE**

Place coarse aggregate in 6 inch lifts and compact sufficiently as to be firm and unyielding. Provide coarse aggregate gravel or stone meeting the requirements of Specification Section 901-2 or 901-3 respectively. Meet the gradation requirements of Specification Section 901-6, Grades 4, 467, 5, 56 or 57 unless restricted in the plans. Provide Type D-3 filter fabric (see Index No. 199). The cost of furnishing and installing the coarse aggregate and filter fabric shall be included in the cost of the Box Culvert.

**NOTE:** Extra base is required when cross box culverts are located on facilities subject to high speed traffic (>45 mph) or high traffic volumes (>1600 ADT) and the cover is within the range specified in the notation above.

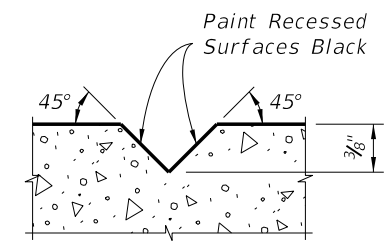
**EXTRA BASE FOR BOX CULVERTS CROSSING UNDER FLEXIBLE PAVEMENT**

**INLET IN TOP OF BOX CULVERT**



The number is to be placed in the center of the top surface of all bridge culvert headwalls. For Bridge Number see Plan-Profile sheet(s).

**TOP VIEW OF HEADWALL**



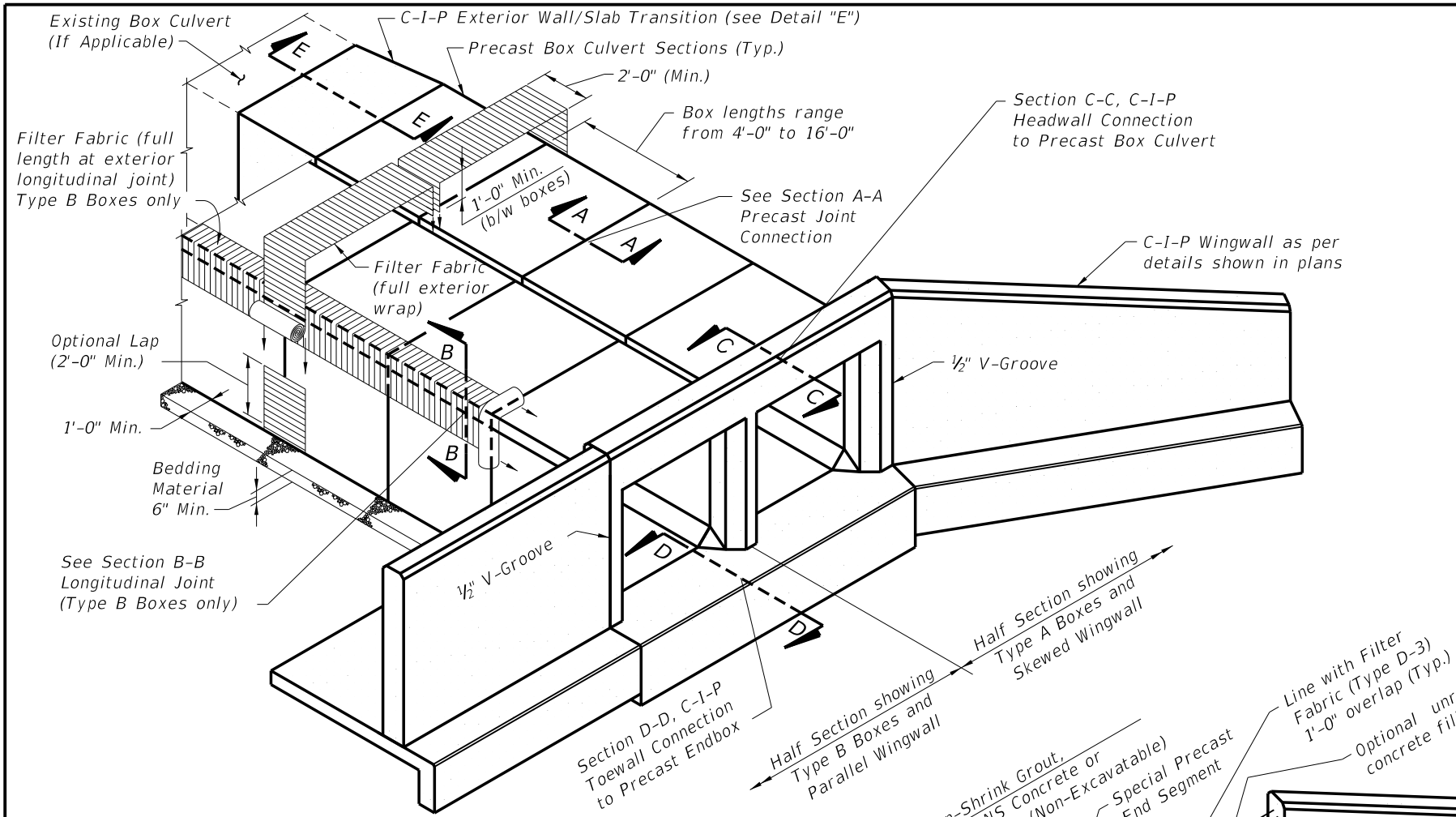
**SECTION THRU RECESSED V-GROOVE TO FORM INSCRIBED FIGURES**

Black Plastic Figures 3" in height as approved by the Engineer may be used in lieu of numbers formed by 3/8" V-Grooves. V-Grooves shall be formed by preformed figures.

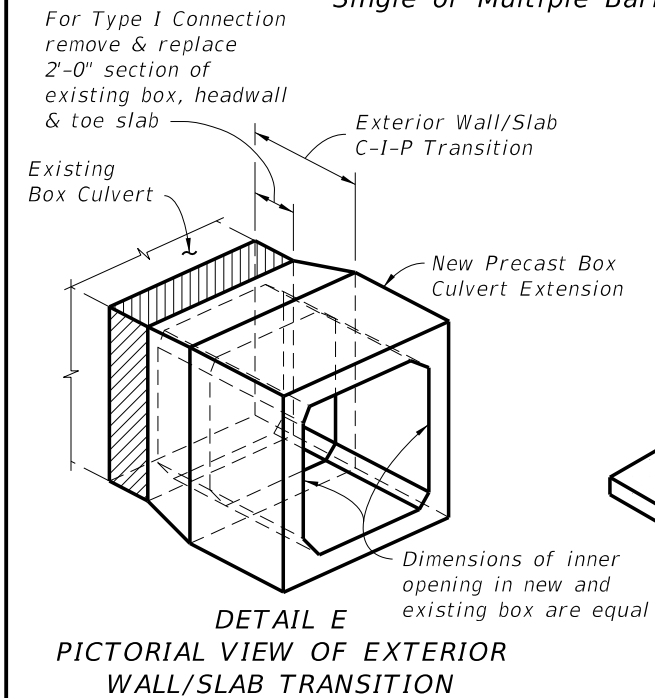
**BRIDGE CULVERT NUMBER LOCATION**

LAST REVISION 01/01/12	REVISION	DESCRIPTION:	 <b>FDOT 2014 DESIGN STANDARDS</b>	<b>CONCRETE BOX CULVERT DETAILS (LRFD)</b>	INDEX NO. <b>289</b>	SHEET NO. <b>8 of 8</b>
---------------------------	----------	--------------	---	--	-------------------------	----------------------------

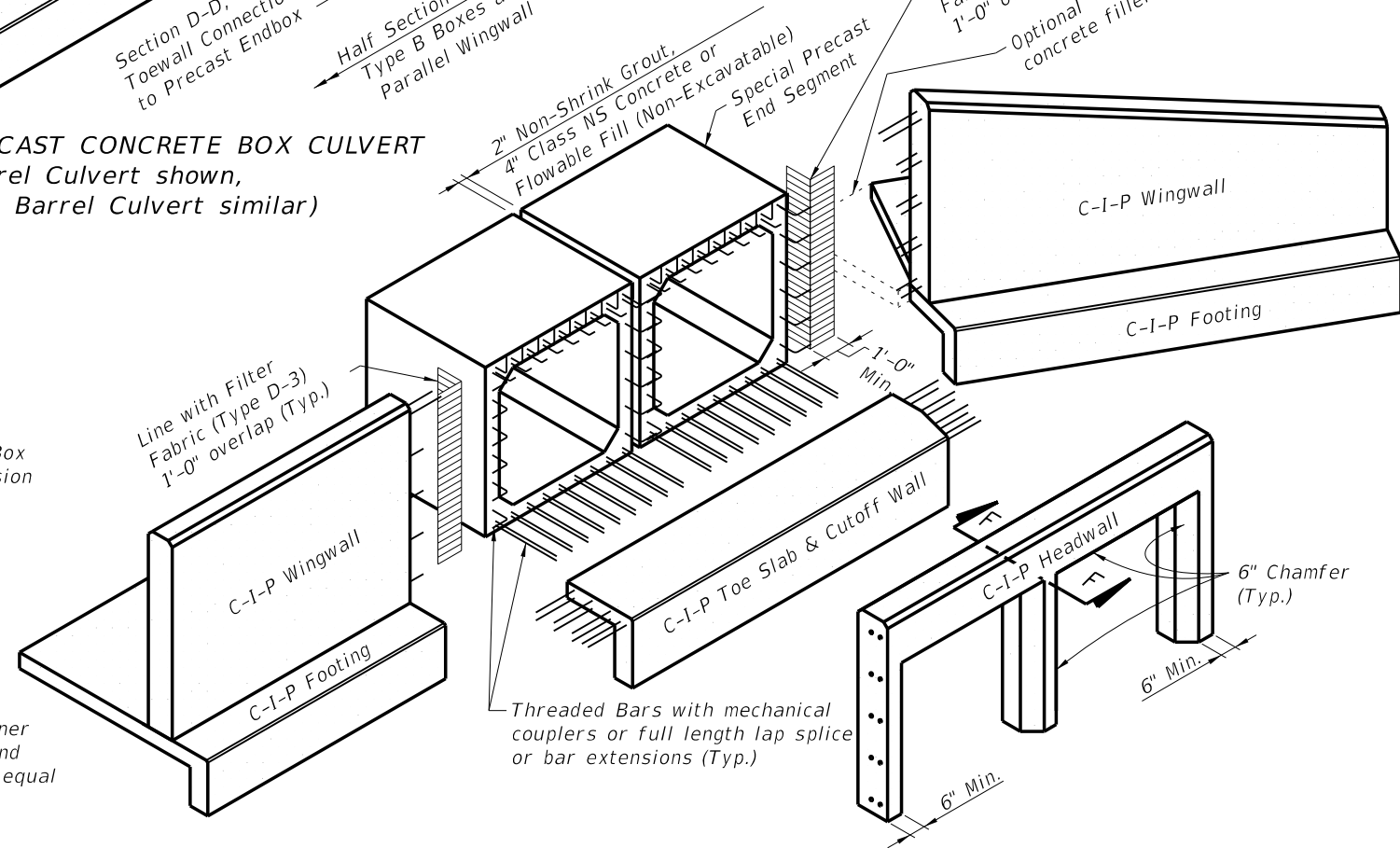
C:\projects\standards\structures\current\ready\4release\2014\B00K\00291-1\of5.dgn  
 sm970re  
 3:22:03 PM  
 6/24/2013



**ISOMETRIC VIEW OF PRECAST CONCRETE BOX CULVERT**  
 (Double Barrel Culvert shown, Single or Multiple Barrel Culvert similar)



**DETAIL E**  
**PICTORIAL VIEW OF EXTERIOR WALL/SLAB TRANSITION**



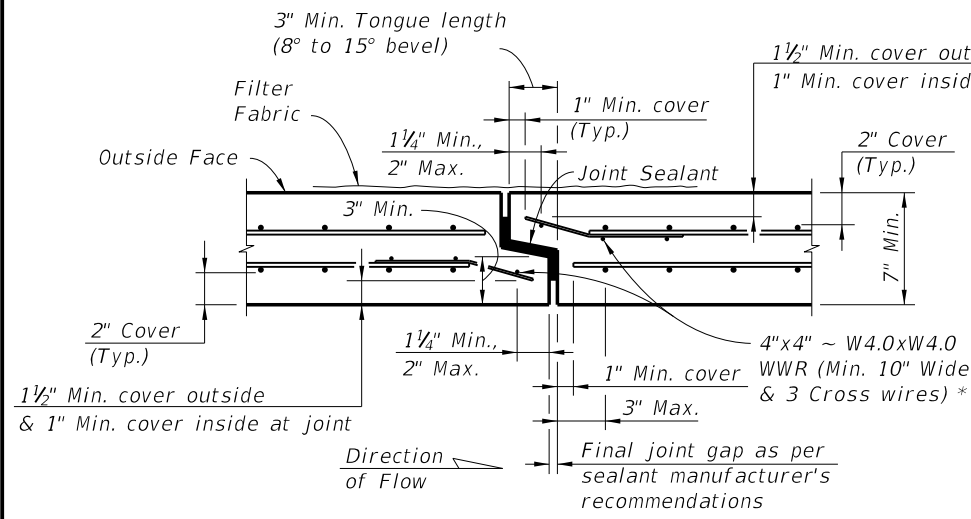
**EXPLODED VIEW OF CONNECTIONS AT END OF CULVERT**  
 (Double Barrel Culvert shown, Single or Multiple Barrel Culvert similar)

PERMITTED PRECAST ALTERNATE BOX SECTIONS				
TYPE	DESCRIPTION	SINGLE BARREL	MULTIPLE BARRELS	DESIGN NOTES
A	Single Cell Monolithic (Four Sided)			Index No. 292 or Contractor Design
B	Single Cell Two-Piece (Four Sided)			Contractor Design
C	Multicell Monolithic	Not Applicable		Contractor Design

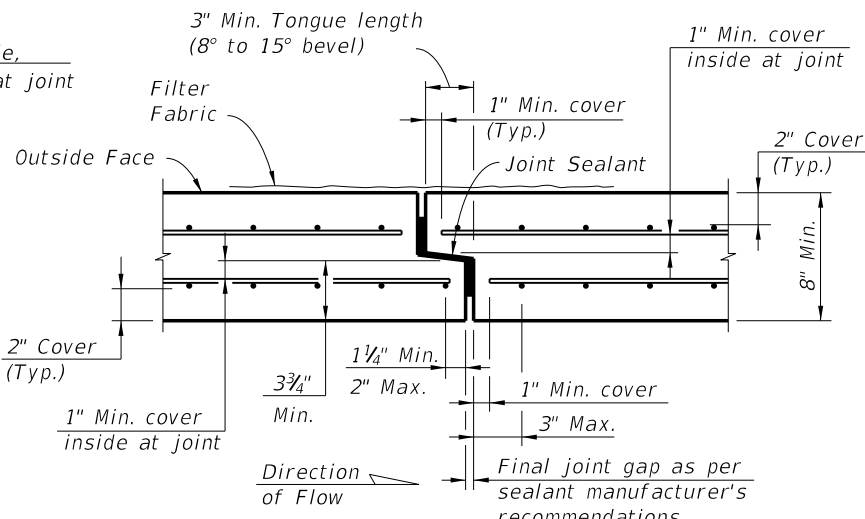
**GENERAL NOTES:**

- Specifications:
  - General:
    - FDOT Standard Specifications for Road and Bridge Construction, Section 410 (current edition, and supplements thereto).
    - Concrete (Precast):
      - Class III or Class II Modified (5,000 psi) for slightly aggressive environments.
      - Class IV (5,500 psi) for moderately to extremely aggressive environments.
    - Concrete (Cast-In-Place):
      - Class II (3,400 psi) for slightly aggressive environments.
      - Class IV (5,500 psi) for moderately to extremely aggressive environments.
    - Reinforcing Steel:
      - Maintain minimum clearance of 2" for slightly and moderately aggressive environments or 3" for extremely aggressive environments, unless otherwise shown. Equal area substitution of welded wire (WWR) reinforcement is permitted.
- Work this Index with the Cast-In-Place Concrete Box Culvert Details and Data Tables shown in the plans, Index No. 289 and the Precast Concrete Box Culverts shown in the shop drawings.
- All joints between precast sections must be tongue & groove with joint sealant. Joints between cast-in-place & precast sections shall have longitudinal reinforcing extending from top, bottom & both side slabs of the precast box tied to the cast-in-place reinforcement. Single barrel culverts may have precast headwalls cast integrally with the end segment when approved by the Engineer.
- Extension of existing multiple barrel box culverts with multiple single cell precast box culverts is not permitted unless approved by the District Structures Engineer. Full transition details must be shown in the shop drawings when approved.
- Culverts larger than the specified size may be substituted with no additional payment to the Contractor. Substitution must be approved by the Engineer, minimum earth cover and invert elevations shown in the Contract Documents must be maintained.

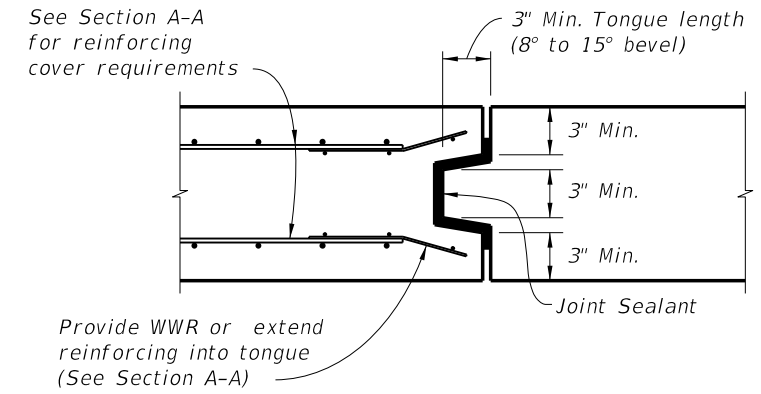
C:\projects\standards\structures\current\ready\4\release\2014\BOOK\00291-2of5.dgn  
 sm970re  
 3:22:05 PM  
 6/24/2013



**SECTION A-A**  
(2" Cover - Thin Wall Detail)

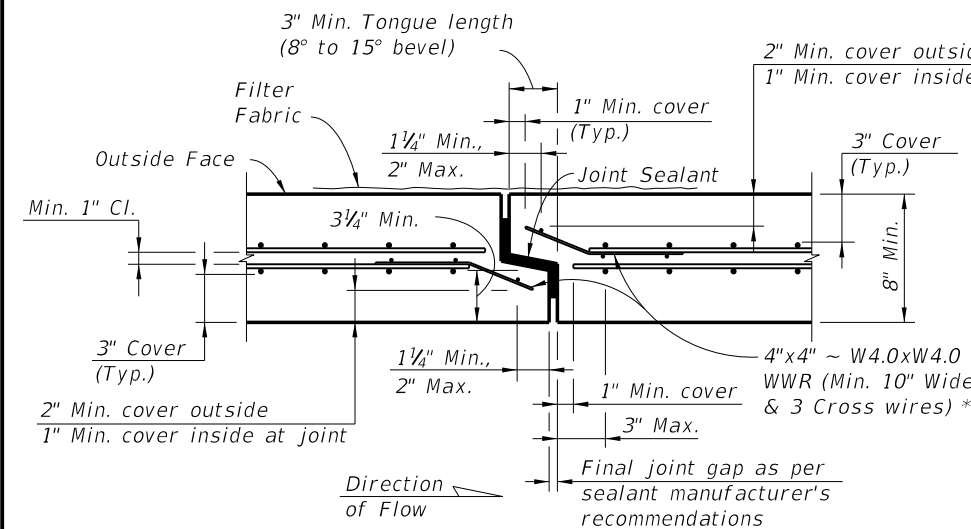


**SECTION A-A**  
(2" Cover - Thick Wall Detail)



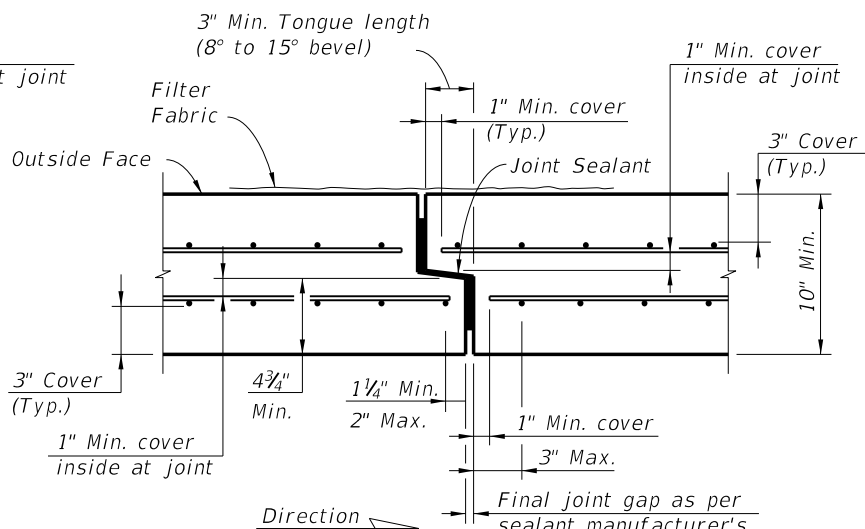
**ALTERNATE BOTTOM SLAB TRANSVERSE JOINT**  
**TYPICAL SECTION**  
(DOUBLE-SIDED TONGUE & GROOVE JOINT)  
(All reinforcing not shown for clarity)

**NOTE:**  
Bottom Slab Joints in Type B Boxes may be single tongue & groove joints as shown in Section A-A when the Top Slab Joints are oriented as shown in Schematic "A".

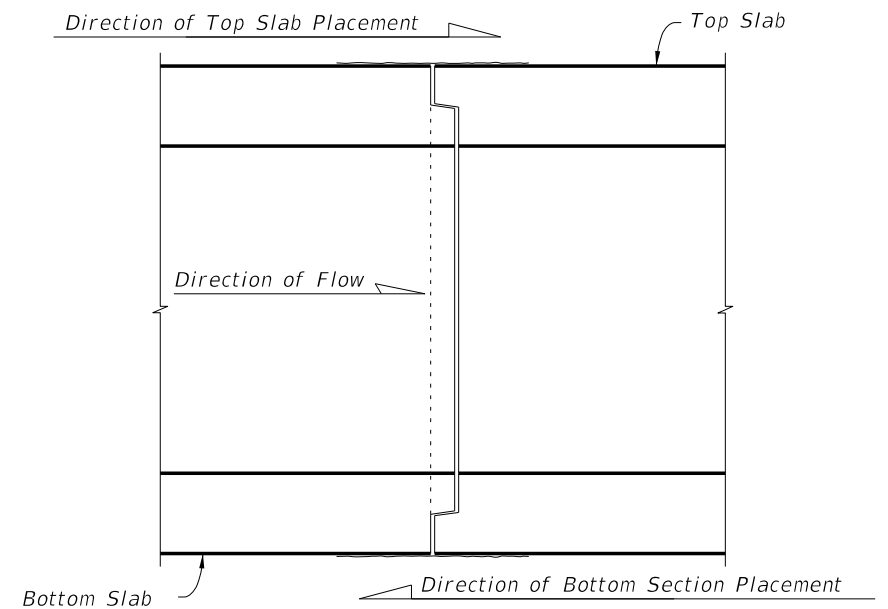


**SECTION A-A**  
(3" Cover - Thin Wall Detail)

\* At the Contractor's option when the box culvert reinforcing utilizes WWR, extend wall and slab reinforcing into the joint and bend to maintain cover in lieu of 4"x4" ~ W4.0xW4.0 WWR at joint. Transverse wire in tongue may be cut at corners of box to allow bending of the WWR.




**SECTION A-A**  
(3" Cover - Thick Wall Detail)



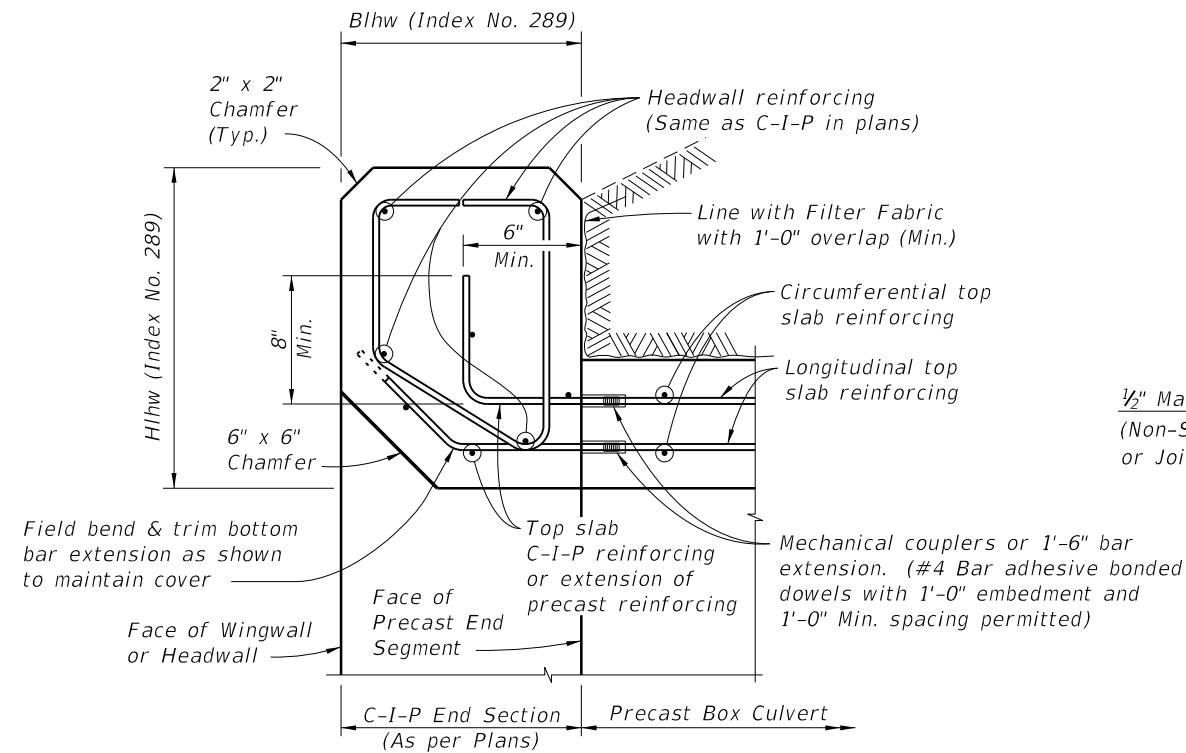
**SCHEMATIC "A"**  
**TYPE B BOX SECTION PLACEMENT**  
**FOR SINGLE TONGUE & GROOVE JOINTS**

**PRECAST SEGMENT TO SEGMENT TONGUE & GROOVE TRANSVERSE JOINTS**

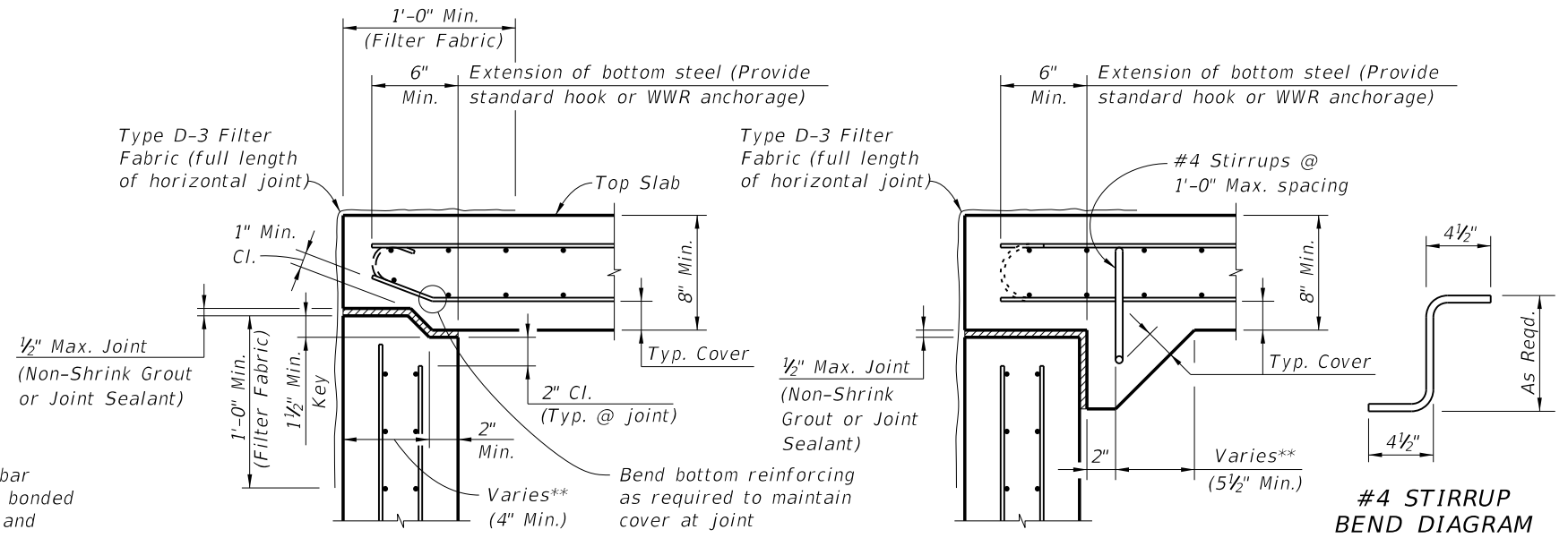
**TWO-PIECE PRECAST SEGMENT**  
**ADDITIONAL JOINT DETAILS**  
**(TYPE B BOX)**

LAST REVISION 07/01/06	DESCRIPTION:	 <b>FDOT 2014</b> <b>DESIGN STANDARDS</b>	<b>SUPPLEMENTAL DETAILS FOR PRECAST</b> <b>CONCRETE BOX CULVERTS</b>	INDEX NO. 291	SHEET NO. 2 of 5





**SECTION C-C**  
C-I-P HEADWALL DETAILS AND CONNECTION TO PRECAST BOX

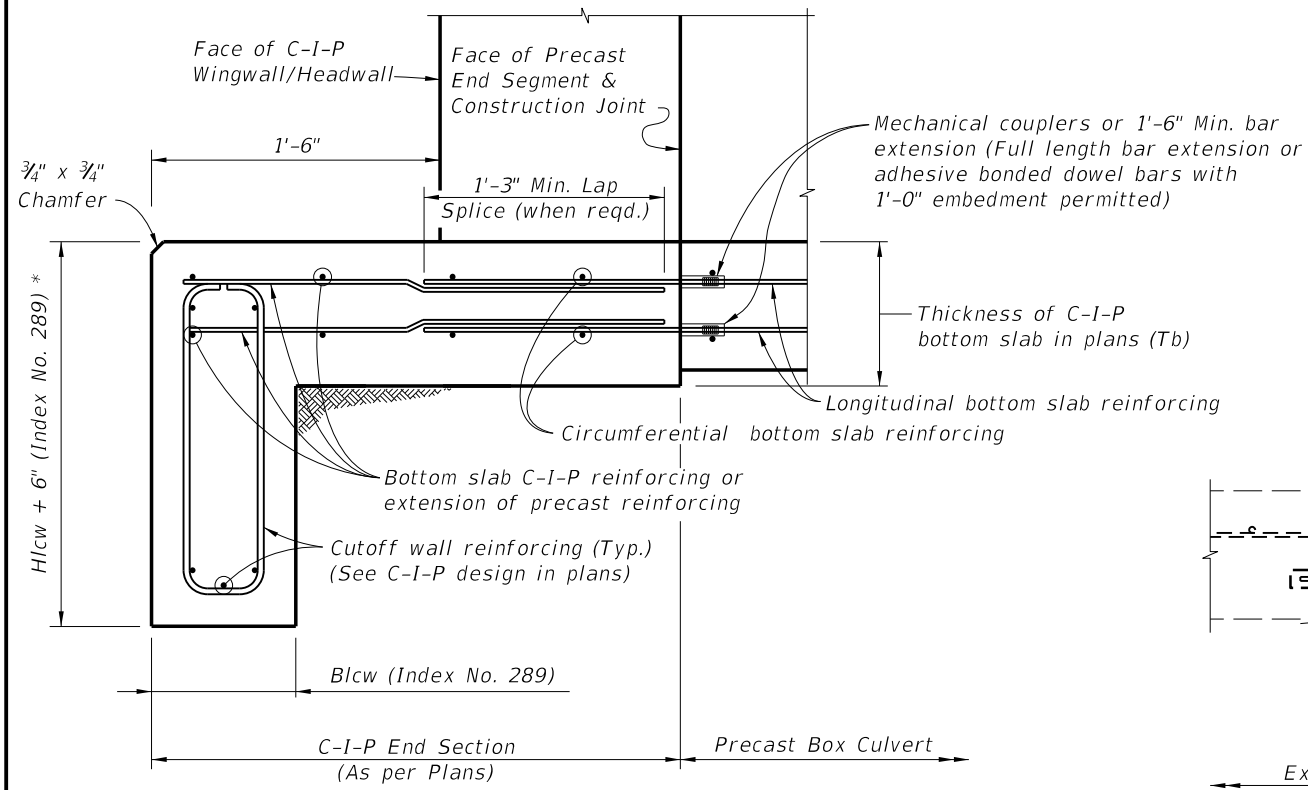


**SECTION B-B**  
TOP SLAB TO WALL JOINT (KEYED JOINT)

**SECTION B-B**  
TOP SLAB TO WALL JOINT (HAUNCHED JOINT)

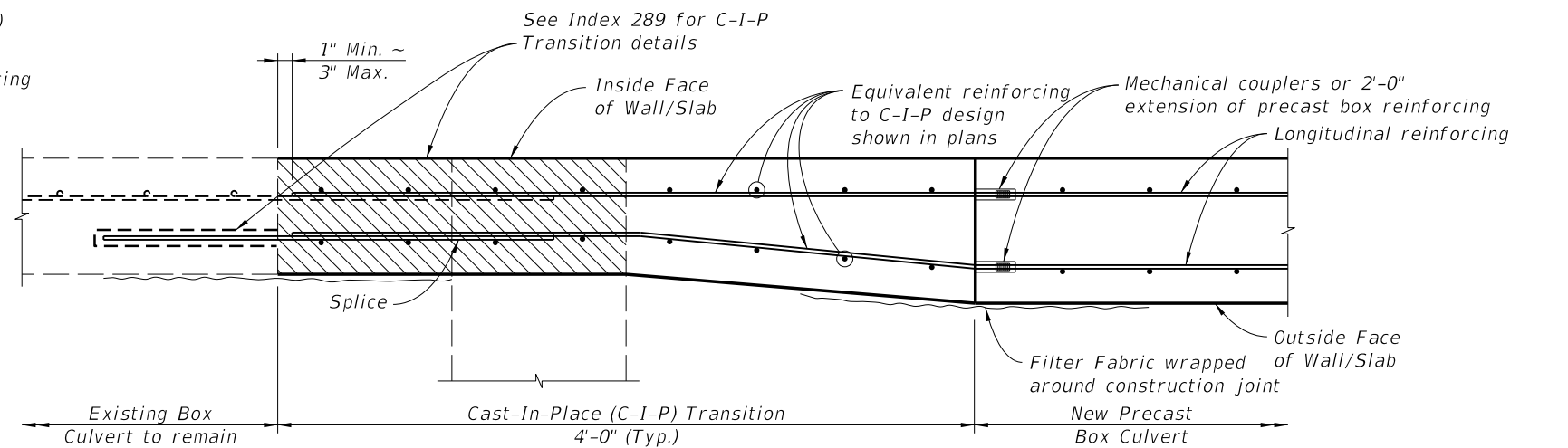
\*\* Provide adequate width to satisfy shear strength requirements at joint

**TYPE B BOX LONGITUDINAL JOINTS**



**SECTION D-D**  
C-I-P TOE SLAB & CUTOFF WALL DETAILS AND CONNECTION TO PRECAST BOX


\* Provide additional 6" depth of cutoff wall at no additional cost.

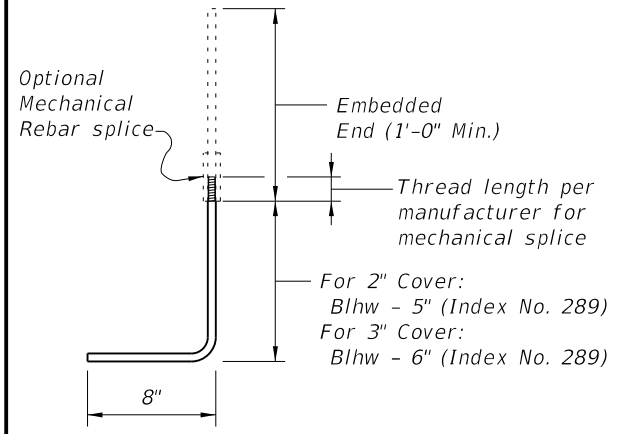


**SECTION E-E**  
EXTERIOR WALL/SLAB TRANSITION DETAIL FOR PRECAST EXTENSION (Type I Connection shown, Type II Connection similar)

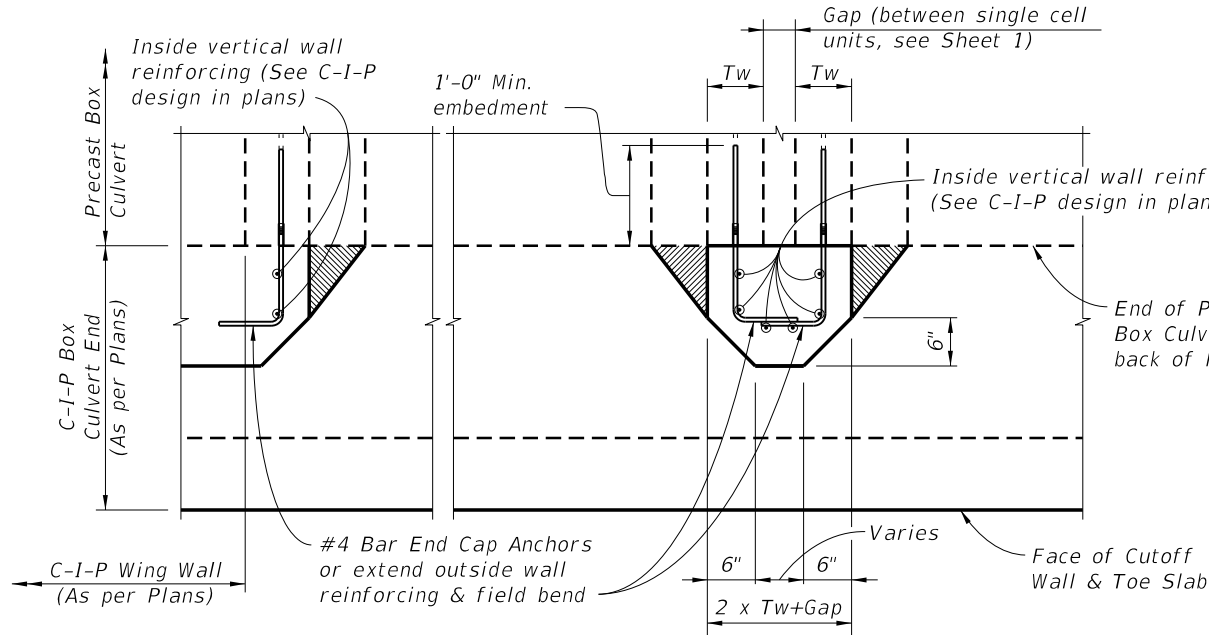
Section of Existing Box Culvert to be removed and replaced, for Type I Connection.

C:\projects\standards\structures\current\ready\4release\_2014\BOOK\00291-3of5.dgn  
sm970re  
3:22:07 PM  
6/24/2013

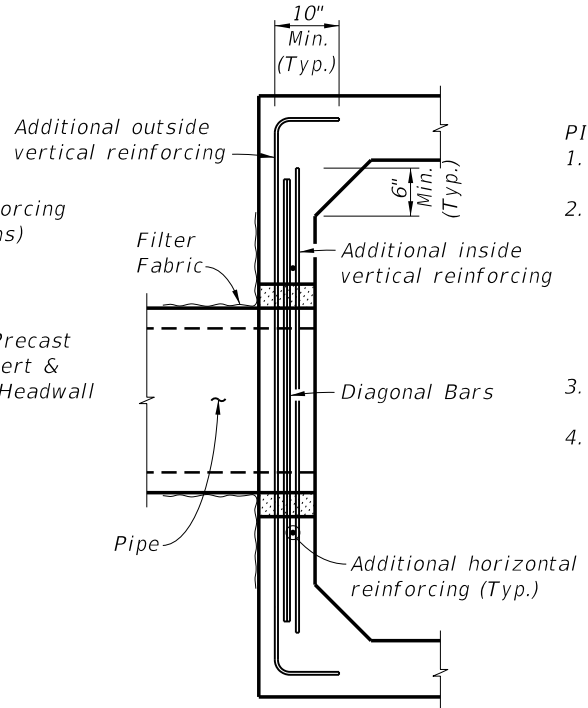
LAST REVISION 01/01/12	DESCRIPTION:	 <b>FDOT 2014 DESIGN STANDARDS</b>	<b>SUPPLEMENTAL DETAILS FOR PRECAST CONCRETE BOX CULVERTS</b>	INDEX NO. 291	SHEET NO. 3 of 5
REVISION					



#4 BAR END CAP ANCHOR BAR BEND DIAGRAM

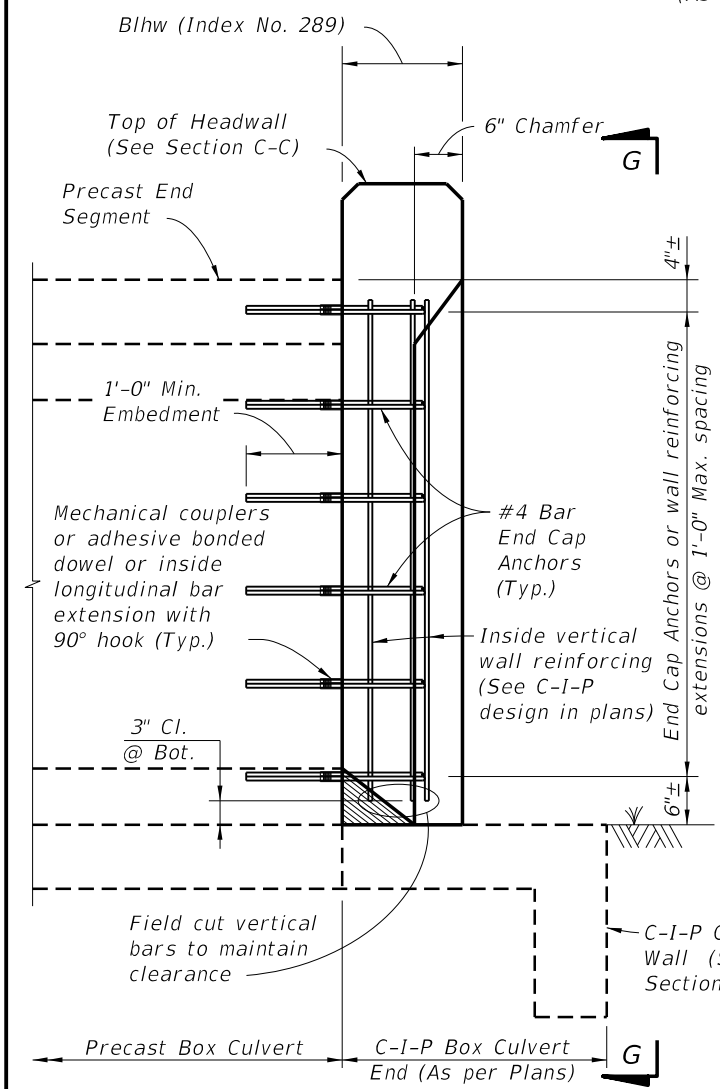


SECTION H-H

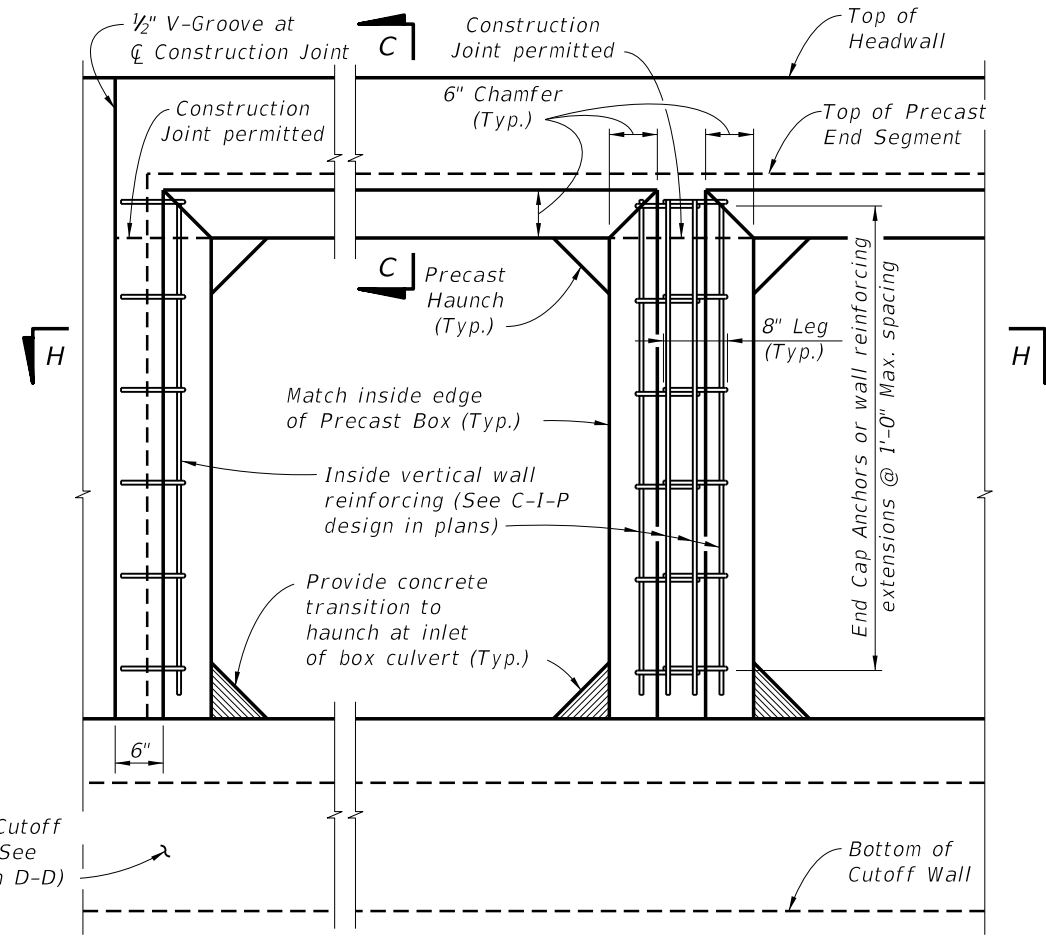


SECTION I-I (Showing additional blockout reinforcing only)

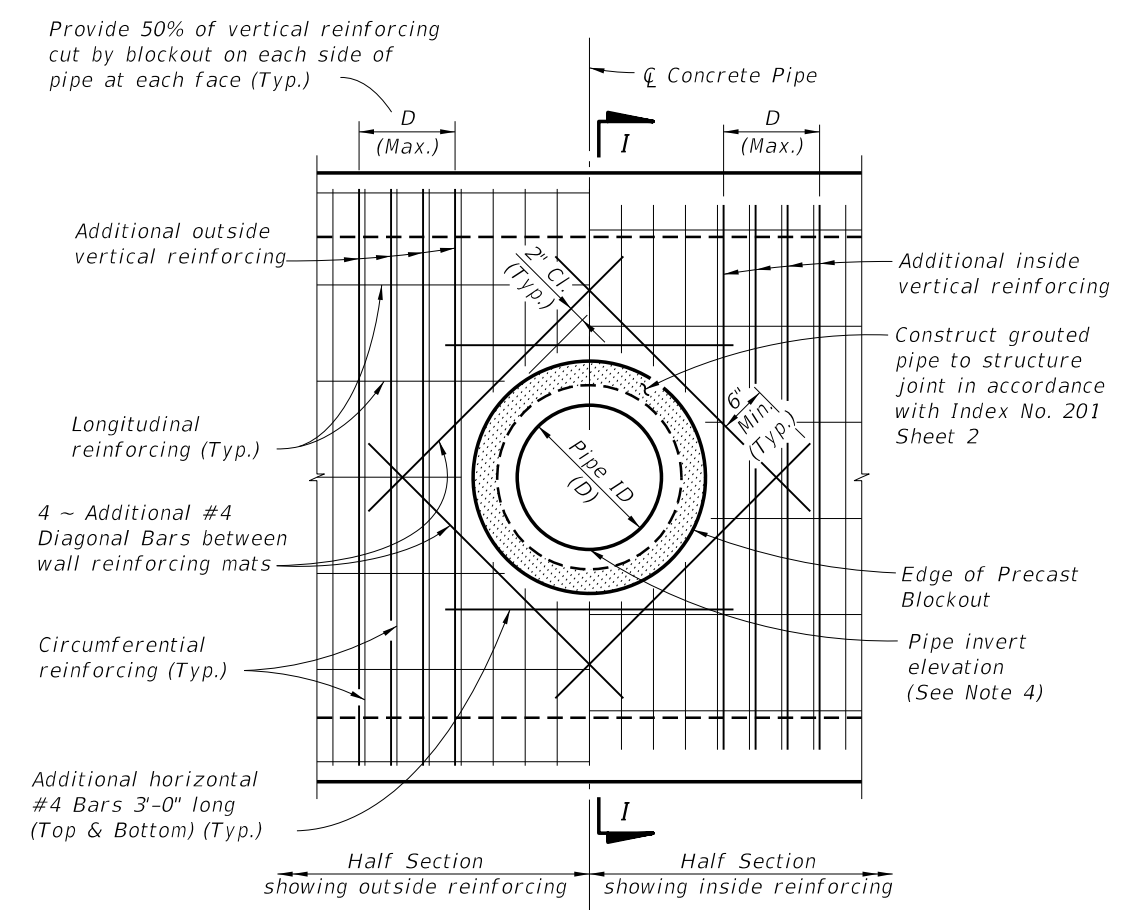
- PIPE BLOCKOUT NOTES:
1. Cut box culvert reinforcing as required to maintain 2" cover.
  2. For Precast Sections construct opening a minimum of 1'-6" away from any box to box joint, except opening may be a minimum of 1'-0" away from joint when at least 2'-0" of clearance to the box to box joint is provided on the opposite side of the pipe opening.
  3. Pipe blockout diameter to be 6" greater than pipe outside diameter.
  4. See Drainage Plans for size, placement, and invert elevation.



SECTION F-F



VIEW G-G (Headwall, Toe Slab and Cutoff Wall Reinforcing not shown for clarity)



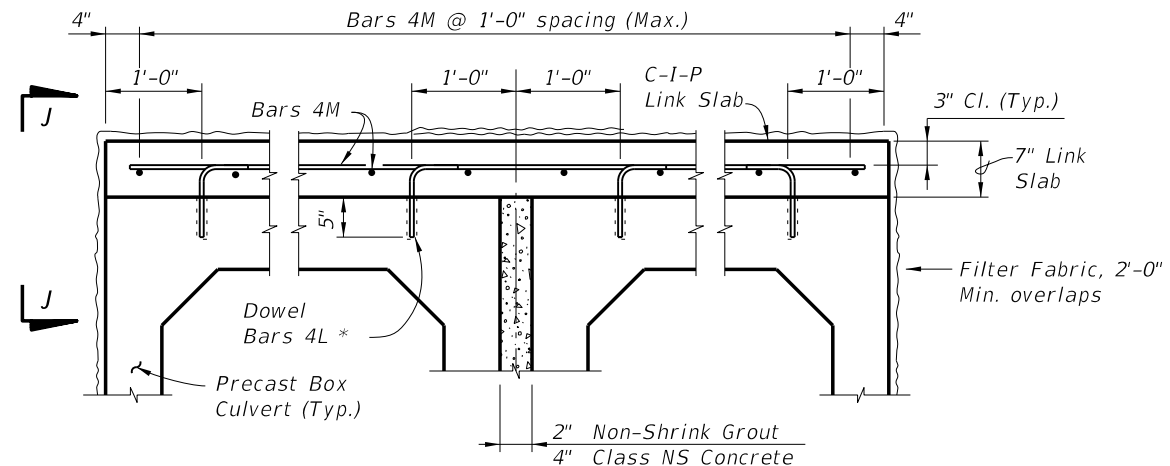
ELEVATION VIEW PIPE BLOCKOUT DETAILS

C-I-P END CAP DETAILS AND CONNECTION TO PRECAST BOX

C:\projects\standards\structures\current\ready\4release\2014BOOK\00291-4of5.dgn 3:22:09 PM 6/24/2013 sm970re

LAST REVISION 07/01/07	DESCRIPTION:		FDOT 2014 DESIGN STANDARDS	SUPPLEMENTAL DETAILS FOR PRECAST CONCRETE BOX CULVERTS	INDEX NO. 291	SHEET NO. 4 of 5
REVISION						

C:\projects\standards\structures\current\ready\4\release\2014\B00K\00291-5of5.dgn  
sm970re  
3:22:11 PM  
6/24/2013



**LINK SLAB TYPICAL SECTION**  
(Multiple Barrel Culvert shown, Single Barrel Culvert similar)

\* Install dowels with an Adhesive Bonding Material System in accordance with Specification Section 416. The Contractor may substitute mechanical couplers in lieu of adhesive bonded dowels. Shift dowels to clear box culvert reinforcing.

**LINK SLAB NOTES:**

1. Provide a Cast-In-Place Link Slab to ensure uniform joint opening of precast box culverts when the differential settlement shown in the plans exceeds the following limits, except that a Link Slab is not required for differential settlements less than 1/2".

$$\Delta Y \leq \frac{(L)^2}{760 \times R \times W}$$

Where:

- $\Delta Y$  = Maximum Long-Term Differential Settlement (ft.)
- R = Exterior height of Box Culvert (ft.)
- W = Length of Box Culvert Segments (ft.)
- L = Effective length for single curvature deflection (ft.)

2. Extend Link Slab to back face of headwalls and to limits of existing box culverts for extensions.

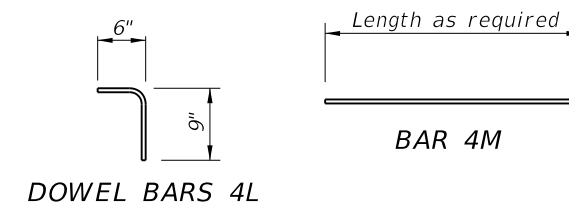
ESTIMATED LINK SLAB QUANTITIES		
ITEM	UNIT	QUANTITY
Class II or IV Concrete (Culvert)	CY/SF	0.0216
Reinforcing Steel (Roadway)	Lb./SF	1.52

NOTE: Estimated quantities are based the plan area of precast box slabs, and are provided for information only. No additional payment will be made for Link Slabs where these are required for the precast box culverts.

**BILL OF REINFORCING STEEL**

MARK	SIZE	NO. REQ'D	LENGTH
L	4	2 per Barrel/Ft.	1'-3"
M	4	As Req'd.	As Req'd.

**REINFORCING STEEL BENDING DIAGRAMS**

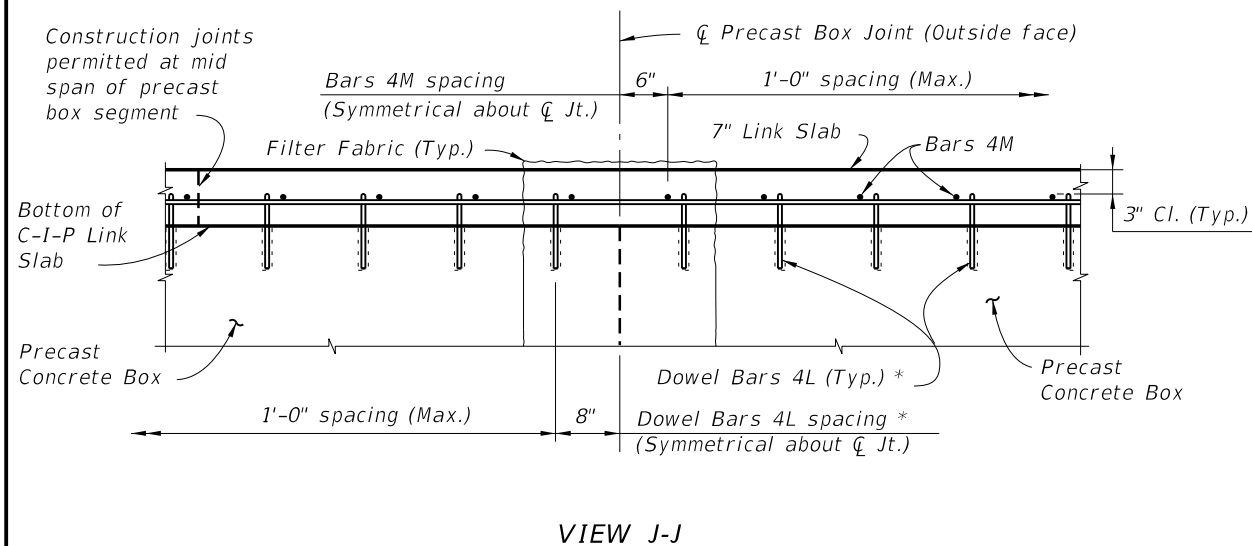


**NOTES:**

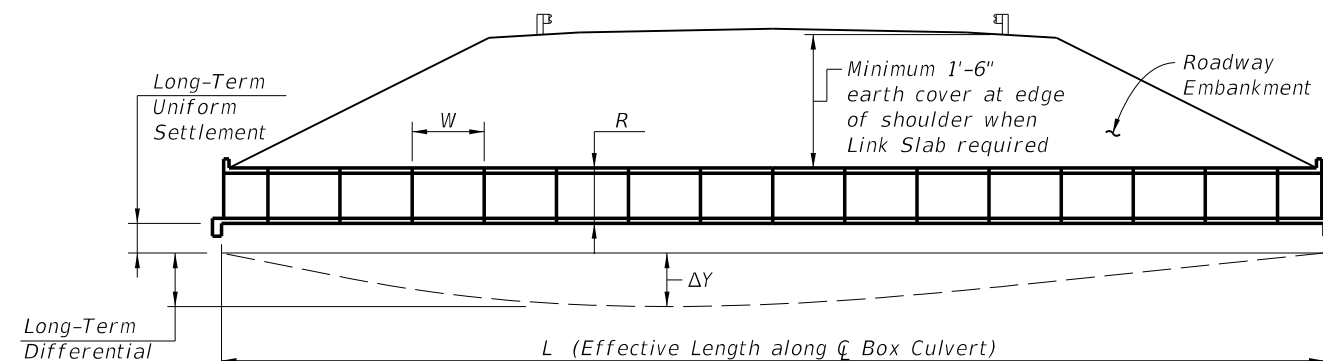
1. All bar dimensions are out to out.
2. Lap splice length for Bars 4M is 1'-4" minimum.

**DESIGN NOTE:**

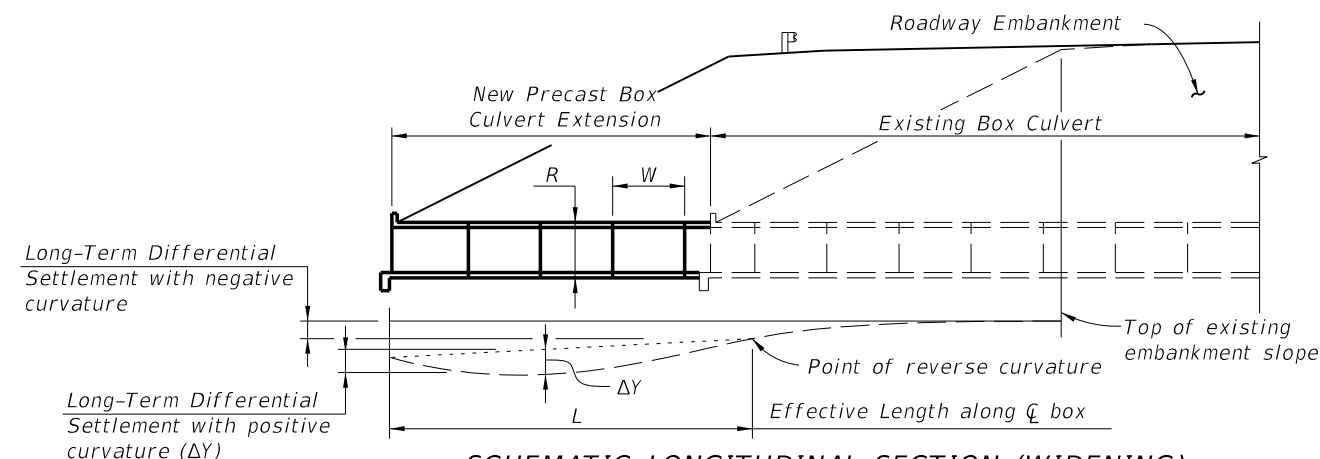
1. Link Slab required when joint openings from differential settlement exceed 1/8" as determined in Link Slab Note 1.



**VIEW J-J**



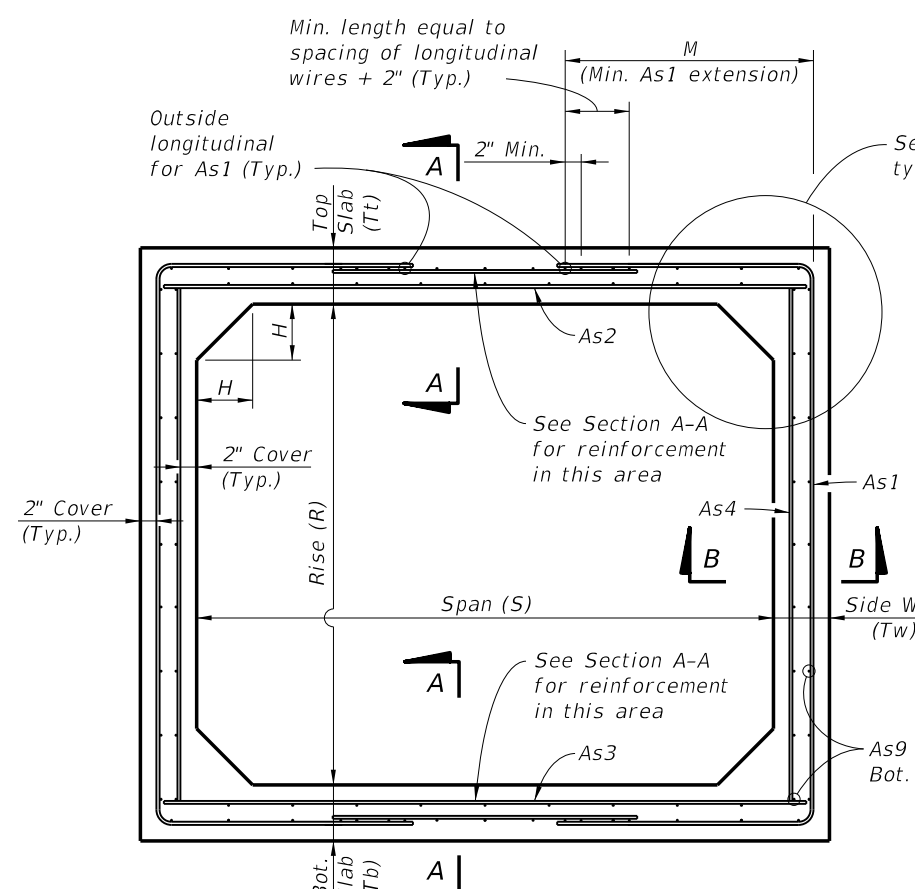
**SCHEMATIC LONGITUDINAL SECTION (NEW CONSTRUCTION)**



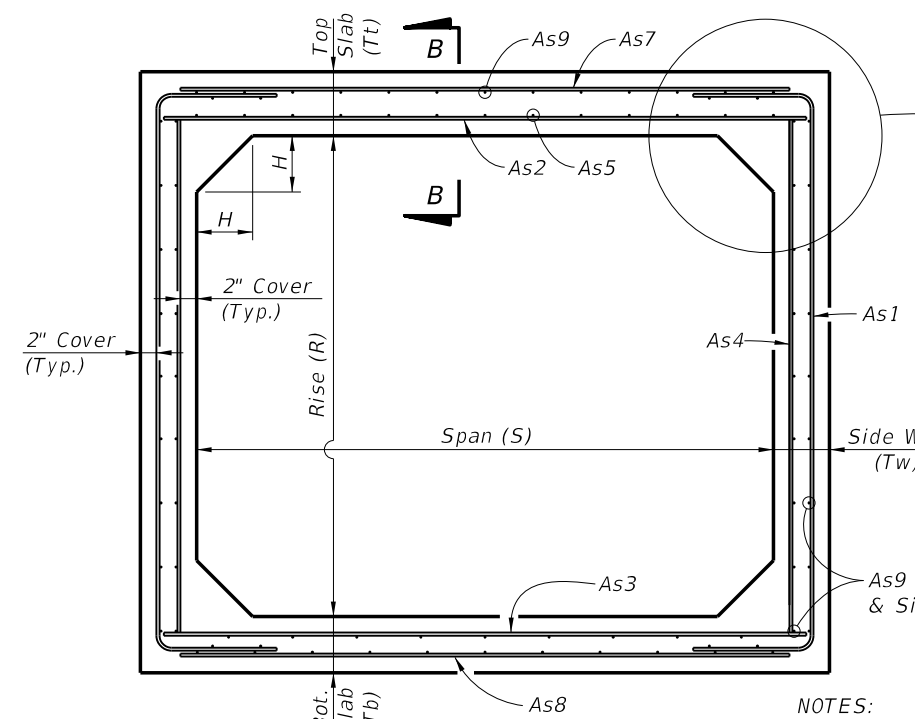
**SCHEMATIC LONGITUDINAL SECTION (WIDENING)**

**DIFFERENTIAL SETTLEMENT COUNTERMEASURES FOR PRECAST BOX CULVERTS**

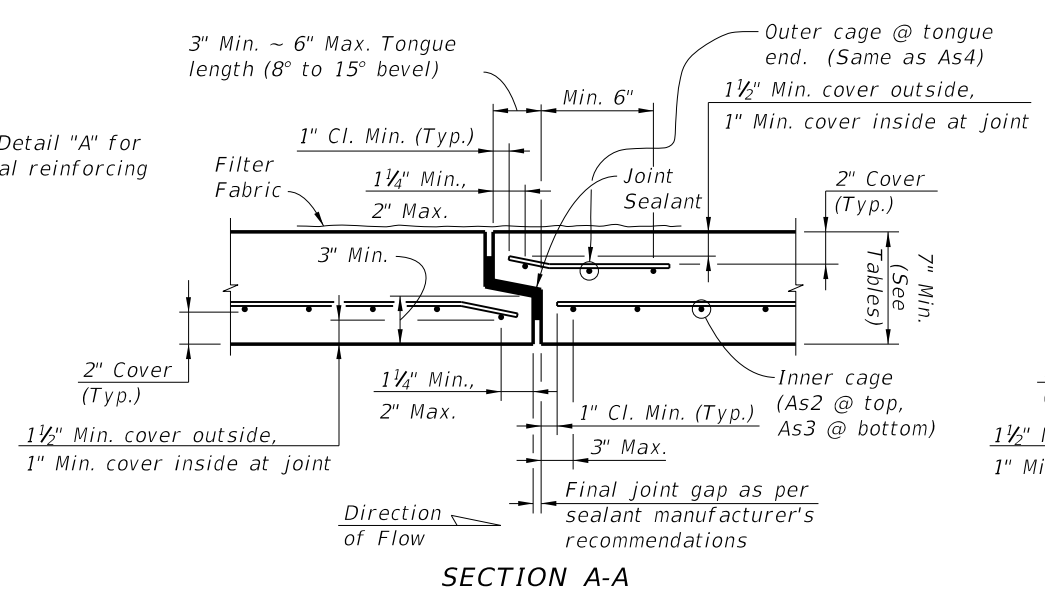
C:\projects\standards\structures\current\ready\4release\2014BOOK\00292-01of14.dgn  
 sm970re  
 3:22:13 PM  
 6/24/2013



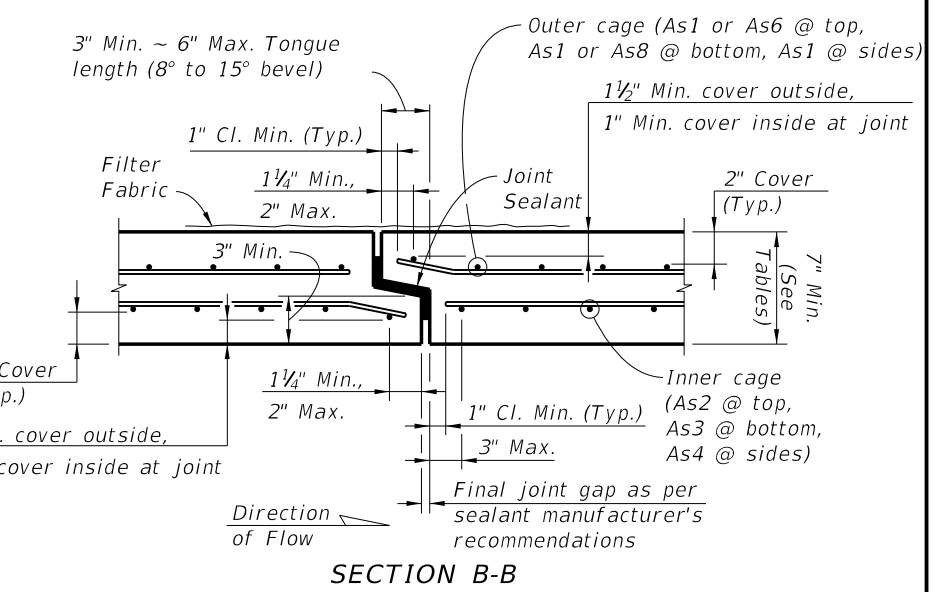
**TYPICAL BOX SECTION (TYPE 2)**  
**DESIGN EARTH COVER 2' OR GREATER**  
 (Option 1 Reinforcing Configuration Shown)



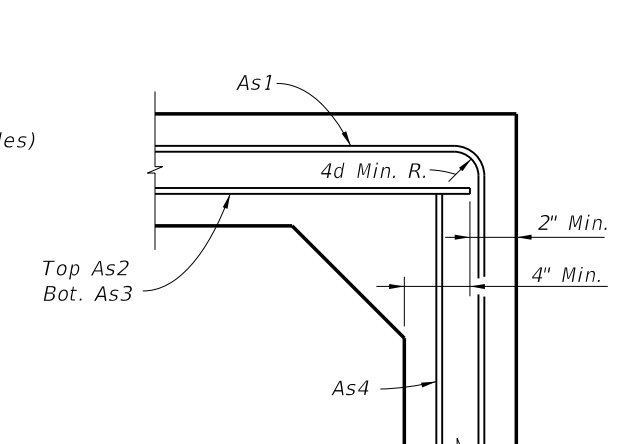
**TYPICAL BOX SECTION (TYPE 1)**  
**DESIGN EARTH COVER LESS THAN 2'**  
 (Option 1 Reinforcing Configuration Shown)



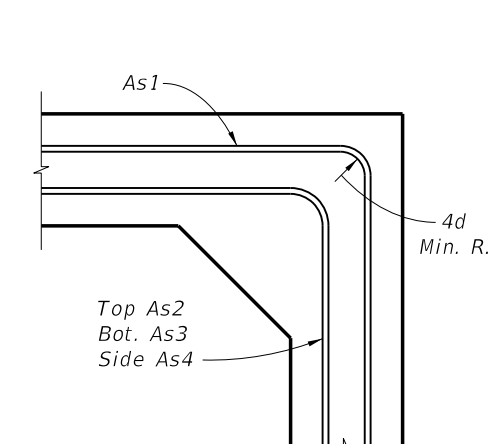
**SECTION A-A**



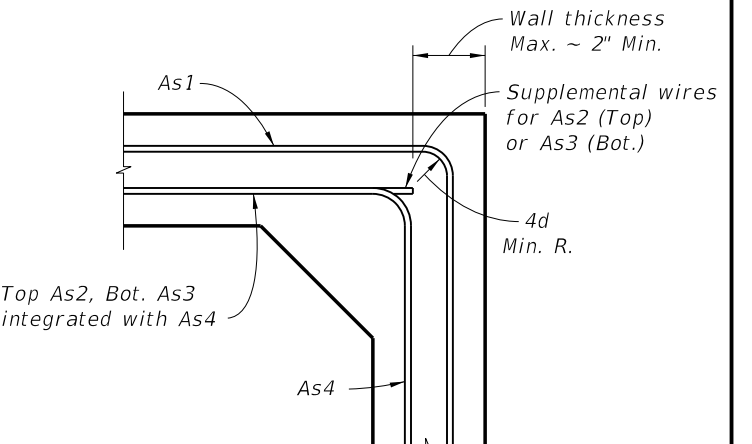
**SECTION B-B**  
**TYPICAL SECTION THRU JOINT**



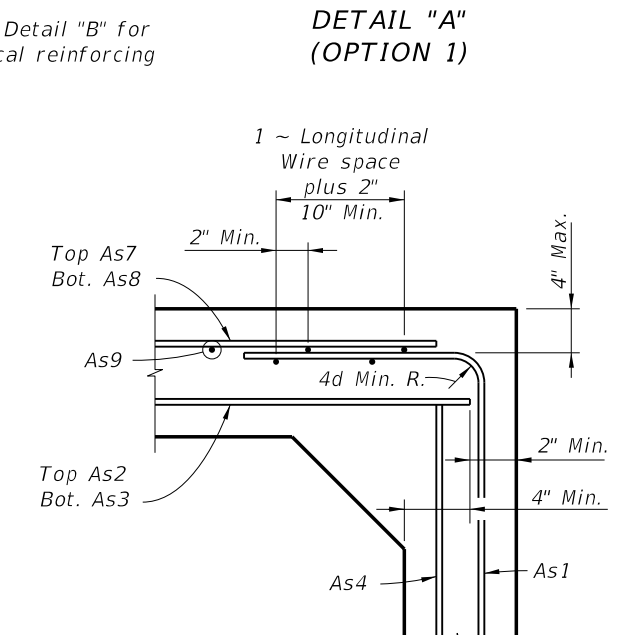
**DETAIL "A" (OPTION 1)**



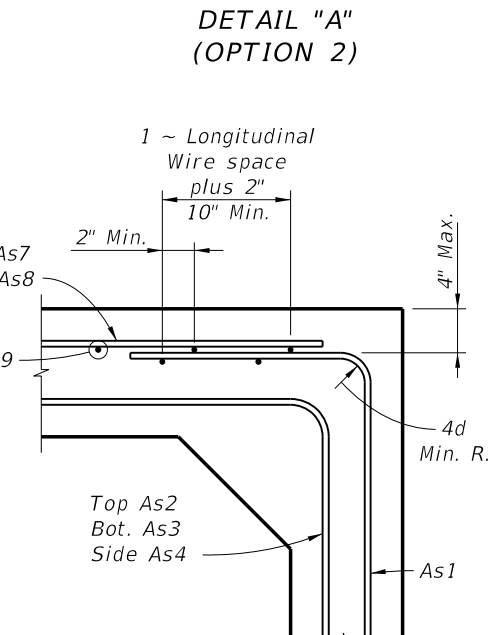
**DETAIL "A" (OPTION 2)**



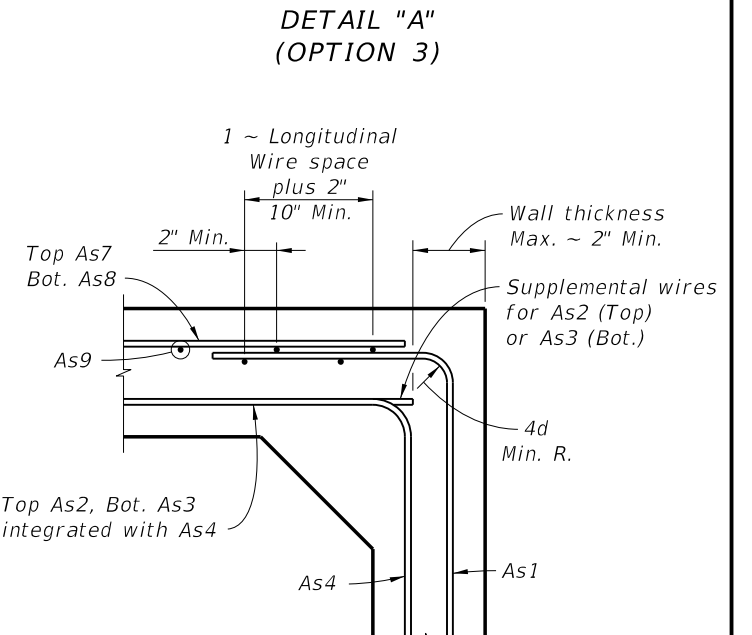
**DETAIL "A" (OPTION 3)**



**DETAIL "B" (OPTION 1)**




**DETAIL "B" (OPTION 2)**



**DETAIL "B" (OPTION 3)**

**NOTES:**  
 1. Work this Index with Index No. 291.  
 2. See sheets 2 thru 5 for dimensions and areas of reinforcement.

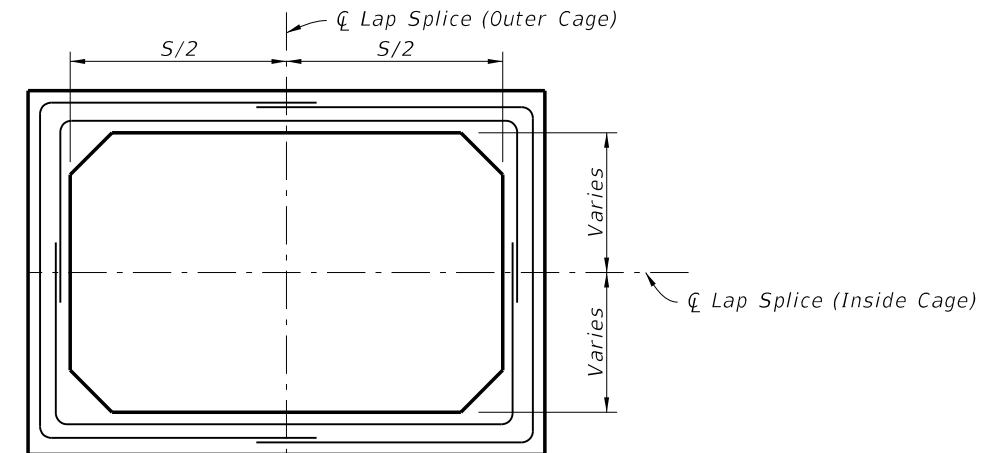
**STANDARD PRECAST BOX CULVERT WITH 2" CONCRETE COVER**

LAST REVISION 07/01/13	DESCRIPTION:	 <b>FDOT 2014 DESIGN STANDARDS</b>	<b>STANDARD PRECAST CONCRETE BOX CULVERTS</b>	INDEX NO. <b>292</b>	SHEET NO. <b>1 of 14</b>
---------------------------	--------------	--	---	-------------------------	-----------------------------

**GENERAL NOTES:**

1. These precast designs may be substituted for cast-in-place box culverts designed to AASHTO LRFD Bridge Design Specifications, 4th Edition. Designs are based on the design criteria shown in FDOT Structures Design Guidelines.
2. Loading: HL-93 & any fill heights between the minimum & maximum shown.
3. Only one design of precast box culvert is to be used for any installation.
4. Reinforcing steel must consist of smooth or deformed welded wire reinforcement (WWR) meeting the requirements of Specification Section 931. Longitudinal reinforcement may consist of reinforcing bars meeting the requirements of Specification Section 931. Minimum cover must be 2" for slightly aggressive environments or 3" for moderately to extremely aggressive environments, unless otherwise shown. The spacing of circumferential wires must not be less than 2" nor more than 4". The spacing of longitudinal wires or bars must not be more than 8".
5. As9 longitudinal wires must have a minimum cross-sectional area of 40% of the circumferential wires, but not less than a W2.5 or D2.5 for WWR, or #3 bars for deformed bars.
6. Welding of reinforcement must be limited to the locations shown in ASTM C1577 and in accordance with ANSI/AWS D1.4 "Structural Welding Code - Reinforcing Steel".
7. For alternate reinforcing configuration Options 2 and 3 shown in Detail "A" and "B" (Sheet 1), As1 may be extended to the middle of either slab and lap spliced with As7 and As8. As4 may be lap spliced at any location or connected to As2 or As3 at corners by welding.
8. Haunch dimensions may vary between the minimum and maximum dimensions shown in the Design Tables but only one haunch dimension must be used within the full length of the box culvert installation.

9. Submittal of redesign calculations are not required for any increase to the slab and/or wall thickness when the minimum reinforcement areas shown in the Design Tables are provided.
10. For Design Earth Cover greater than 10 feet, the Contractor may interpolate the required areas of reinforcement and slab or wall thickness. Interpolated areas of reinforcement, slab or wall thickness must be approved by the Engineer.
11. Minimum length of precast box segments is 4 feet and maximum length is 16 feet.
12. See Index No. 291 for connections to wingwalls, headwalls and other general details.



**SCHEMATIC OF LAP SPLICE LOCATIONS FOR OPTION 2 & 3 REINFORCING CONFIGURATIONS**

**TABLE 1A - STANDARD PRECAST BOX CULVERT DESIGNS (2" COVER) - 3' & 4' SPANS**

SPAN x RISE (S) (R) (Ft.)	SLAB / WALL THICKNESS				DESIGN EARTH COVER ABOVE TOP SLAB	REINFORCEMENT AREAS (sq. in./Ft.)								As1 EXT. LENGTH (M) (in.)				
	TOP (Tt) (in.)	BOT. (Tb) (in.)	SIDE (Tw) (in.)	HAUNCH (H) (in.)		As1	As2	As3	As4	As5	As7	As8	As9					
3' x 3'	7	7	7	to	0.33' - <2'	0.17	0.29	0.21	0.17	0.17	0.17	0.17	See General Note 5	-				
					2' - <3'	0.13	0.28	0.21	0.09	-	-	-		31				
					3' - <5'	0.09	0.17	0.17	0.09	-	-	-		31				
					5' - 10'	0.09	0.17	0.17	0.09	-	-	-		31				
					15'	0.09	0.17	0.17	0.09	-	-	-		31				
					20'	0.12	0.17	0.17	0.09	-	-	-		31				
					25'	0.14	0.18	0.18	0.09	-	-	-		31				
					30'	0.17	0.21	0.22	0.09	-	-	-		31				
					35'	0.19	0.25	0.25	0.09	-	-	-		31				
					4' x 3'	7	7	7	to	0.33' - <2'	0.19	0.38		0.26	0.17	0.19	0.17	0.19
2' - <3'	0.19	0.38	0.26	0.09						-	-	-	38					
3' - <5'	0.14	0.20	0.22	0.09						-	-	-	38					
5' - 10'	0.11	0.17	0.17	0.09						-	-	-	38					
15'	0.15	0.17	0.18	0.09						-	-	-	38					
20'	0.20	0.23	0.23	0.09						-	-	-	38					
25'	0.24	0.28	0.29	0.09						-	-	-	38					
30'	0.29	0.34	0.35	0.09						-	-	-	38					
4' x 4'	7	7	7	to						0.33' - <2'	0.19	0.41	0.28	0.17	0.21	0.17	0.19	-
										2' - <3'	0.19	0.41	0.28	0.09	-	-	-	38
					3' - <5'	0.14	0.21	0.24	0.09	-	-	-	38					
					5' - 10'	0.12	0.17	0.17	0.09	-	-	-	38					
					15'	0.16	0.19	0.20	0.09	-	-	-	38					
					20'	0.21	0.25	0.25	0.09	-	-	-	38					
					25'	0.26	0.31	0.32	0.09	-	-	-	38					
					30'	0.31	0.37	0.38	0.09	-	-	-	38					

**TABLE 1B - STANDARD PRECAST BOX CULVERT DESIGNS (2" COVER) - 3' & 4' SPANS**

SPAN x RISE (S) (R) (Ft.)	SLAB / WALL THICKNESS				DESIGN EARTH COVER ABOVE TOP SLAB	REINFORCEMENT AREAS (sq. in./Ft.)								As1 EXT. LENGTH (M) (in.)				
	TOP (Tt) (in.)	BOT. (Tb) (in.)	SIDE (Tw) (in.)	HAUNCH (H) (in.)		As1	As2	As3	As4	As5	As7	As8	As9					
3' x 3'	8	8	8	to	0.33' - <2'	0.20	0.26	0.32	0.20	0.20	0.20	0.20	See General Note 5	-				
					2' - <3'	0.16	0.25	0.31	0.10	-	-	-		31				
					3' - <5'	0.10	0.20	0.20	0.10	-	-	-		31				
					5' - 10'	0.10	0.20	0.20	0.10	-	-	-		31				
					15'	0.10	0.20	0.20	0.10	-	-	-		31				
					20'	0.10	0.20	0.20	0.10	-	-	-		31				
					25'	0.11	0.20	0.20	0.10	-	-	-		31				
					30'	0.13	0.20	0.20	0.10	-	-	-		31				
					35'	0.15	0.21	0.21	0.10	-	-	-		31				
					4' x 3'	8	8	8	to	0.33' - <2'	0.20	0.31		0.22	0.20	0.20	0.20	0.20
2' - <3'	0.12	0.31	0.22	0.10						-	-	-	38					
3' - <5'	0.12	0.20	0.20	0.10						-	-	-	38					
5' - 10'	0.10	0.20	0.20	0.10						-	-	-	38					
15'	0.12	0.20	0.20	0.10						-	-	-	38					
20'	0.16	0.20	0.20	0.10						-	-	-	38					
25'	0.19	0.24	0.24	0.10						-	-	-	38					
30'	0.22	0.28	0.29	0.10						-	-	-	38					
4' x 4'	8	8	8	to						0.33' - <2'	0.20	0.33	0.24	0.20	0.20	0.20	0.20	-
										2' - <3'	0.17	0.33	0.24	0.10	-	-	-	38
					3' - <5'	0.12	0.20	0.20	0.10	-	-	-	38					
					5' - 10'	0.10	0.20	0.20	0.10	-	-	-	38					
					15'	0.13	0.20	0.20	0.10	-	-	-	38					
					20'	0.16	0.21	0.22	0.10	-	-	-	38					
					25'	0.20	0.26	0.27	0.10	-	-	-	38					
					30'	0.23	0.31	0.32	0.10	-	-	-	38					

NOTES: 1. See Sheet 1 for Reinforcing Details and dimension locations.  
2. See Sheet 14 for WWR Bending Diagram.

6/24/2013 3:22:15 PM sm970re C:\projects\standards\structures\current\ready\4\release\_2014\BOOK\00292-02of14.dgn

C:\projects\standards\structures\current\ready\4release\2014\BOK\00292-03of14.dgn smg70re 3:22:18 PM 6/24/2013

**TABLE 2A - STANDARD PRECAST BOX CULVERT DESIGNS (2" COVER) - 5' & 6' SPANS**

SPAN x RISE (S) (R) (Ft.)	SLAB / WALL THICKNESS				DESIGN EARTH COVER ABOVE TOP SLAB	REINFORCEMENT AREAS (sq. in./Ft.)								As1 EXT. LENGTH (M) (in.)
	TOP (Tt) (in.)	BOT. (Tb) (in.)	SIDE (Tw) (in.)	HAUNCH (H) (in.)		As1	As2	As3	As4	As5	As7	As8	As9	
5' x 3'	7	7	7	4 to 8	0.33' - <2'	0.31	0.48	0.42	0.17	0.21	0.23	0.31	-	
					2' - <3'	0.31	0.48	0.42	0.09	-	-	-	45	
					3' - <5'	0.20	0.27	0.27	0.09	-	-	-	36	
					5' - 10'	0.17	0.19	0.21	0.09	-	-	-	36	
					15'	0.24	0.25	0.25	0.09	-	-	-	35	
					20'	0.32	0.33	0.33	0.09	-	-	-	35	
					25'	0.39	0.41	0.42	0.09	-	-	-	35	
					30'	0.47	0.50	0.50	0.09	-	-	-	35	
5' x 4'	7	7	7	4 to 8	0.33' - <2'	0.30	0.51	0.45	0.17	0.23	0.21	0.30	-	
					2' - <3'	0.30	0.51	0.45	0.09	-	-	-	45	
					3' - <5'	0.18	0.30	0.29	0.09	-	-	-	45	
					5' - 10'	0.17	0.21	0.23	0.09	-	-	-	36	
					15'	0.24	0.27	0.28	0.09	-	-	-	35	
					20'	0.31	0.36	0.37	0.09	-	-	-	35	
					25'	0.39	0.45	0.46	0.09	-	-	-	35	
					30'	0.46	0.55	0.56	0.09	-	-	-	35	
5' x 5'	7	7	7	4 to 8	0.33' - <2'	0.30	0.53	0.48	0.17	0.24	0.21	0.30	-	
					2' - <3'	0.29	0.53	0.48	0.09	-	-	-	45	
					3' - <5'	0.19	0.31	0.31	0.09	-	-	-	45	
					5' - 10'	0.19	0.22	0.25	0.09	-	-	-	45	
					15'	0.26	0.29	0.31	0.09	-	-	-	36	
					20'	0.34	0.39	0.40	0.09	-	-	-	35	
					25'	0.41	0.49	0.50	0.09	-	-	-	35	
					30'	0.49	0.59	0.61	0.09	-	-	-	35	
6' x 3'	7	7	7	4 to 12	0.33' - <2'	0.39	0.54	0.48	0.17	0.22	0.25	0.39	-	
					2' - <3'	0.39	0.58	0.49	0.09	-	-	-	43	
					3' - <5'	0.28	0.36	0.36	0.09	-	-	-	39	
					5' - 10'	0.25	0.26	0.28	0.09	-	-	-	39	
					15'	0.36	0.34	0.34	0.09	-	-	-	38	
					20'	0.47	0.46	0.46	0.09	-	-	-	38	
					25'	0.59	0.57	0.55	0.09	-	-	-	38	
					30'	0.60	0.64	0.64	0.09	-	-	-	38	
6' x 4'	7	7	7	4 to 12	0.33' - <2'	0.37	0.58	0.52	0.17	0.24	0.23	0.37	-	
					2' - <3'	0.37	0.61	0.53	0.09	-	-	-	43	
					3' - <5'	0.26	0.39	0.39	0.09	-	-	-	39	
					5' - 10'	0.24	0.28	0.31	0.09	-	-	-	39	
					15'	0.35	0.37	0.38	0.09	-	-	-	38	
					20'	0.46	0.50	0.50	0.09	-	-	-	38	
					25'	0.56	0.63	0.60	0.09	-	-	-	38	
					30'	0.58	0.69	0.69	0.09	-	-	-	38	
6' x 5'	7	7	7	4 to 12	0.33' - <2'	0.36	0.60	0.56	0.17	0.25	0.22	0.36	-	
					2' - <3'	0.36	0.64	0.56	0.09	-	-	-	43	
					3' - <5'	0.26	0.410	0.42	0.09	-	-	-	43	
					5' - 10'	0.25	0.30	0.33	0.09	-	-	-	39	
					15'	0.34	0.40	0.41	0.09	-	-	-	38	
					20'	0.46	0.54	0.54	0.09	-	-	-	38	
					25'	0.56	0.67	0.65	0.09	-	-	-	38	
					30'	0.60	0.74	0.74	0.09	-	-	-	38	
6' x 6'	7	7	7	4 to 12	0.33' - <2'	0.36	0.63	0.59	0.17	0.26	0.22	0.36	-	
					2' - <3'	0.35	0.67	0.59	0.09	-	-	-	52	
					3' - <5'	0.27	0.43	0.44	0.09	-	-	-	52	
					5' - 10'	0.27	0.32	0.35	0.09	-	-	-	43	
					15'	0.38	0.43	0.44	0.09	-	-	-	39	
					20'	0.50	0.57	0.59	0.09	-	-	-	39	
					25'	0.60	0.72	0.70	0.09	-	-	-	38	
					30'	0.67	0.78	0.79	0.09	-	-	-	38	

See General Note 5

**TABLE 2B - STANDARD PRECAST BOX CULVERT DESIGNS (2" COVER) - 5' & 6' SPANS**

SPAN x RISE (S) (R) (Ft.)	SLAB / WALL THICKNESS				DESIGN EARTH COVER ABOVE TOP SLAB	REINFORCEMENT AREAS (sq. in./Ft.)								As1 EXT. LENGTH (M) (in.)
	TOP (Tt) (in.)	BOT. (Tb) (in.)	SIDE (Tw) (in.)	HAUNCH (H) (in.)		As1	As2	As3	As4	As5	As7	As8	As9	
5' x 3'	8	8	8	4 to 8	0.33' - <2'	0.26	0.39	0.36	0.20	0.20	0.20	0.26	-	
					2' - <3'	0.26	0.39	0.36	0.10	-	-	-	45	
					3' - <5'	0.16	0.23	0.24	0.10	-	-	-	36	
					5' - 10'	0.13	0.20	0.20	0.10	-	-	-	36	
					15'	0.19	0.21	0.22	0.10	-	-	-	35	
					20'	0.24	0.28	0.28	0.10	-	-	-	35	
					25'	0.30	0.34	0.35	0.10	-	-	-	35	
					30'	0.36	0.41	0.41	0.10	-	-	-	35	
5' x 4'	8	8	8	4 to 8	0.33' - <2'	0.25	0.42	0.38	0.20	0.20	0.20	0.25	-	
					2' - <3'	0.25	0.42	0.38	0.10	-	-	-	45	
					3' - <5'	0.16	0.25	0.25	0.10	-	-	-	45	
					5' - 10'	0.13	0.20	0.20	0.10	-	-	-	36	
					15'	0.19	0.23	0.24	0.10	-	-	-	35	
					20'	0.24	0.30	0.31	0.10	-	-	-	35	
					25'	0.30	0.37	0.38	0.10	-	-	-	35	
					30'	0.35	0.45	0.46	0.10	-	-	-	35	
5' x 5'	8	8	8	4 to 8	0.33' - <2'	0.25	0.44	0.41	0.20	0.20	0.20	0.25	-	
					2' - <3'	0.25	0.44	0.41	0.10	-	-	-	45	
					3' - <5'	0.16	0.26	0.27	0.10	-	-	-	45	
					5' - 10'	0.15	0.20	0.22	0.10	-	-	-	45	
					15'	0.20	0.25	0.26	0.10	-	-	-	36	
					20'	0.26	0.32	0.33	0.10	-	-	-	35	
					25'	0.32	0.40	0.41	0.10	-	-	-	35	
					30'	0.37	0.48	0.49	0.10	-	-	-	35	
6' x 3'	8	8	8	4 to 12	0.33' - <2'	0.32	0.47	0.41	0.20	0.20	0.25	0.32	-	
					2' - <3'	0.32	0.47	0.41	0.10	-	-	-	43	
					3' - <5'	0.23	0.30	0.31	0.10	-	-	-	39	
					5' - 10'	0.19	0.22	0.24	0.10	-	-	-	39	
					15'	0.28	0.29	0.29	0.10	-	-	-	38	
					20'	0.36	0.38	0.38	0.10	-	-	-	38	
					25'	0.45	0.47	0.47	0.10	-	-	-	38	
					30'	0.54	0.57	0.57	0.10	-	-	-	38	
6' x 4'	8	8	8	4 to 12	0.33' - <2'	0.31	0.50	0.44	0.20	0.21	0.23	0.31	-	
					2' - <3'	0.31	0.50	0.44	0.10	-	-	-	43	
					3' - <5'	0.23	0.32	0.34	0.10	-	-	-	39	
					5' - 10'	0.19	0.24	0.26	0.10	-	-	-	39	
					15'	0.27	0.31	0.32	0.10	-	-	-	38	
					20'	0.35	0.41	0.41	0.10	-	-	-	38	
					25'	0.43	0.51	0.51	0.10	-	-	-	38	
					30'	0.52	0.62	0.62	0.10	-	-	-	38	
6' x 5'	8	8	8	4 to 12	0.33' - <2'	0.30	0.52	0.47	0.20	0.22	0.22	0.30	-	
					2' - <3'	0.30	0.52	0.47	0.10	-	-	-	43	
					3' - <5'	0.22	0.34	0.36	0.10	-	-	-	43	
					5' - 10'	0.20	0.26	0.28	0.10	-	-	-	39	
					15'	0.27	0.33	0.34	0.10	-	-	-	38	
					20'	0.36	0.44	0.45	0.10	-	-	-	38	
					25'	0.44	0.55	0.55	0.10	-	-	-	38	
					30'	0.52	0.66	0.67	0.10	-	-	-	38	
6' x 6'	8	8	8	4 to 12	0.33' - <2'	0.30	0.54	0.50	0.20	0.22	0.22	0.30	-	
					2' - <3'	0.30	0.54	0.50	0.10	-	-	-	52	
					3' - <5'	0.23	0.36	0.38	0.10	-	-	-	52	
					5' - 10'	0.21	0.27	0.30	0.10	-	-	-	43	
					15'	0.29	0.35	0.37	0.10	-	-	-	39	
					20'	0.38	0.47	0.48	0.10	-	-	-	39	
					25'	0.47	0.59	0.60	0.10	-	-	-	38	
					30'	0.55	0.70	0.71	0.10	-	-	-	38	

See General Note 5



C:\projects\standards\structures\current\ready\4release\2014\B00K\00292-05of14.dgn

smg70re

3:22:22 PM

6/24/2013

**TABLE 5 - STANDARD PRECAST BOX CULVERT DESIGNS (2" COVER) - 9' SPANS**

SPAN x RISE (S) (R) (Ft.)	SLAB / WALL THICKNESS				DESIGN EARTH COVER ABOVE TOP SLAB	REINFORCEMENT AREAS (sq. in./Ft.)								As1 EXT. LENGTH (M) (in.)
	TOP (Tt) (in.)	BOT. (Tb) (in.)	SIDE (Tw) (in.)	HAUNCH (H) (in.)		As1	As2	As3	As4	As5	As7	As8	As9	
9' x 5'	9.5	9.5	9	4	0.33' - <2'	0.41	0.62	0.53	0.22	0.23	0.34	0.38	-	
	9	9	9		2' - <3'	0.44	0.65	0.54	0.11	-	-	-	54	
					3' - <5'	0.39	0.53	0.51	0.11	-	-	-	49	
					5' - 10'	0.35	0.42	0.44	0.11	-	-	-	49	
					15'	0.50	0.56	0.55	0.11	-	-	-	44	
	20'	0.65	0.75	0.73	0.11	-	-	-	44					
	9.5	9.5	9	8 to 12	25'	0.77	0.92	0.90	0.11	-	-	-	44	
	10.5	11	9		30'	0.81	1.05	1.02	0.11	-	-	-	44	
	9' x 6'	9.5	9.5	9	4	0.33' - <2'	0.38	0.64	0.56	0.23	0.23	0.33	0.37	-
		9	9	9		2' - <3'	0.43	0.67	0.57	0.11	-	-	-	54
3' - <5'						0.37	0.55	0.54	0.11	-	-	-	49	
5' - 10'						0.35	0.45	0.47	0.11	-	-	-	49	
15'						0.49	0.60	0.59	0.11	-	-	-	44	
20'		0.65	0.80	0.78	0.11	-	-	-	44					
9.5		9.5	9	8 to 12	25'	0.76	0.98	0.95	0.11	-	-	-	44	
10.5		11	9		30'	0.80	1.10	1.08	0.11	-	-	-	44	
9' x 7'		9.5	9.5	9	4	0.33' - <2'	0.37	0.67	0.59	0.22	0.23	0.32	0.37	-
		9	9	9		2' - <3'	0.42	0.69	0.60	0.11	-	-	-	59
	3' - <5'					0.37	0.58	0.56	0.11	-	-	-	54	
	5' - 10'					0.36	0.47	0.49	0.11	-	-	-	49	
	15'					0.50	0.63	0.63	0.11	-	-	-	44	
	20'	0.66	0.84	0.80	0.11	-	-	-	44					
	9.5	9.5	9	8 to 12	25'	0.77	1.02	1.00	0.11	-	-	-	44	
	10.5	11	9		30'	0.81	1.15	1.13	0.11	-	-	-	44	
	9' x 8'	9.5	9.5	9	4	0.33' - <2'	0.37	0.68	0.61	0.22	0.23	0.31	0.37	-
		9	9	9		2' - <3'	0.42	0.71	0.62	0.11	-	-	-	59
3' - <5'						0.37	0.60	0.59	0.11	-	-	-	59	
5' - 10'						0.38	0.49	0.51	0.11	-	-	-	54	
15'						0.53	0.66	0.66	0.11	-	-	-	44	
20'		0.68	0.88	0.87	0.11	-	-	-	44					
9.5		9.5	9	8 to 12	25'	0.81	1.07	1.05	0.11	-	-	-	44	
10.5		11	9		30'	0.86	1.20	1.18	0.11	-	-	-	44	
9' x 9'		9.5	9.5	9	4	0.33' - <2'	0.38	0.70	0.63	0.22	0.23	0.32	0.38	-
		9	9	9		2' - <3'	0.43	0.73	0.65	0.15	-	-	-	72
	3' - <5'					0.38	0.62	0.61	0.15	-	-	-	72	
	5' - 10'					0.41	0.50	0.53	0.14	-	-	-	59	
	15'					0.57	0.69	0.70	0.12	-	-	-	49	
	20'	0.73	0.92	0.91	0.11	-	-	-	49					
	9.5	10	9	8 to 12	25'	0.83	1.11	1.09	0.11	-	-	-	44	
	10.5	11	9		30'	0.93	1.25	1.23	0.11	-	-	-	44	

See General Note 5

**TABLE 6 - STANDARD PRECAST BOX CULVERT DESIGNS (2" COVER) - 10' SPANS**

SPAN x RISE (S) (R) (Ft.)	SLAB / WALL THICKNESS				DESIGN EARTH COVER ABOVE TOP SLAB	REINFORCEMENT AREAS (sq. in./Ft.)								As1 EXT. LENGTH (M) (in.)
	TOP (Tt) (in.)	BOT. (Tb) (in.)	SIDE (Tw) (in.)	HAUNCH (H) (in.)		As1	As2	As3	As4	As5	As7	As8	As9	
10' x 5'	10.5	10.5	10	4	0.33' - <2'	0.46	0.62	0.52	0.24	0.24	0.41	0.45	-	
	10	10	10		2' - <3'	0.46	0.62	0.52	0.12	-	-	-	58	
					3' - <5'	0.42	0.54	0.50	0.12	-	-	-	53	
					5' - 10'	0.38	0.46	0.49	0.12	-	-	-	52	
					15'	0.52	0.59	0.58	0.12	-	-	-	47	
	20'	0.69	0.78	0.76	0.12	-	-	-	47					
	10.5	10.5	10	8 to 12	25'	0.81	0.97	0.93	0.12	-	-	-	47	
	11.5	12	10		30'	0.87	1.11	1.11	0.12	-	-	-	47	
	10' x 6'	10.5	10.5	10	4	0.33' - <2'	0.44	0.64	0.54	0.24	0.24	0.39	0.44	-
		10	10	10		2' - <3'	0.44	0.64	0.54	0.12	-	-	-	58
3' - <5'						0.39	0.57	0.52	0.12	-	-	-	52	
5' - 10'						0.37	0.48	0.52	0.12	-	-	-	52	
15'						0.51	0.62	0.61	0.12	-	-	-	47	
20'		0.67	0.83	0.80	0.12	-	-	-	47					
10.5		10.5	10	8 to 12	25'	0.79	1.02	0.99	0.12	-	-	-	47	
11.5		12	10		30'	0.85	1.17	1.14	0.12	-	-	-	47	
10' x 7'		10.5	10.5	10	4	0.33' - <2'	0.43	0.66	0.57	0.24	0.24	0.38	0.43	-
		10	10	10		2' - <3'	0.43	0.66	0.57	0.12	-	-	-	58
	3' - <5'					0.38	0.59	0.55	0.12	-	-	-	58	
	5' - 10'					0.37	0.50	0.54	0.12	-	-	-	52	
	15'					0.52	0.66	0.65	0.12	-	-	-	47	
	20'	0.67	0.87	0.85	0.12	-	-	-	47					
	10.5	10.5	10	8 to 12	25'	0.79	1.07	1.04	0.12	-	-	-	47	
	11.5	12	10		30'	0.84	1.22	1.19	0.12	-	-	-	47	
	10' x 8'	10.5	10.5	10	4	0.33' - <2'	0.43	0.68	0.60	0.24	0.24	0.38	0.43	-
		10	10	10		2' - <3'	0.43	0.68	0.60	0.12	-	-	-	64
3' - <5'						0.38	0.62	0.57	0.12	-	-	-	58	
5' - 10'						0.38	0.52	0.57	0.12	-	-	-	52	
15'						0.53	0.69	0.68	0.12	-	-	-	47	
20'		0.68	0.91	0.89	0.12	-	-	-	47					
10.5		10.5	10	8 to 12	25'	0.81	1.12	1.09	0.12	-	-	-	47	
11.5		12	10		30'	0.86	1.27	1.25	0.12	-	-	-	47	
10' x 9'		10.5	10.5	10	4	0.33' - <2'	0.43	0.70	0.62	0.24	0.24	0.38	0.43	-
		10	10	10		2' - <3'	0.43	0.70	0.62	0.12	-	-	-	70
	3' - <5'					0.39	0.64	0.60	0.12	-	-	-	64	
	5' - 10'					0.40	0.54	0.59	0.12	-	-	-	58	
	15'					0.56	0.72	0.72	0.12	-	-	-	52	
	20'	0.71	0.95	0.94	0.12	-	-	-	47					
	10.5	11	10	8 to 12	25'	0.82	1.15	1.13	0.12	-	-	-	47	
	11.5	12	10		30'	0.90	1.32	1.30	0.12	-	-	-	47	
	10' x 10'	10.5	10.5	10	4	0.33' - <2'	0.44	0.71	0.64	0.24	0.24	0.38	0.44	-
		10	10	10		2' - <3'	0.44	0.71	0.64	0.17	-	-	-	79
3' - <5'						0.40	0.65	0.62	0.16	-	-	-	70	
5' - 10'						0.44	0.56	0.61	0.15	-	-	-	64	
15'						0.60	0.75	0.76	0.12	-	-	-	52	
20'		0.76	0.99	0.99	0.12	-	-	-	52					
10.5		11	10	8 to 12	25'	0.86	1.20	1.18	0.12	-	-	-	47	
11.5		12	10		30'	0.97	1.36	1.35	0.13	-	-	-	47	

See General Note 5

**NOTES:**

1. See Sheet 1 for Reinforcing Details and dimension locations.
2. See Sheet 2 for General Notes.
3. See Sheet 14 for WWR Bending Diagram.



C:\projects\standards\structures\current\yeadl\4release\2014B00K\00292-06of14.dgn 6/24/2013 3:22:24 PM sm970re

**TABLE 7 - STANDARD PRECAST BOX CULVERT DESIGNS (2" COVER) - 11' SPANS**

SPAN x RISE (S) (R) (Ft.)	SLAB / WALL THICKNESS				DESIGN EARTH COVER ABOVE TOP SLAB	REINFORCEMENT AREAS (sq. in./Ft.)									As1 EXT. LENGTH (M) (in.)			
	TOP (Tt) (in.)	BOT. (Tb) (in.)	SIDE (Tw) (in.)	HAUNCH (H) (in.)		As1	As2	As3	As4	As5	As7	As8	As9					
11' x 4'	11	11	11	4 to 12	0.33' - <2'	0.51	0.57	0.47	0.27	0.27	0.45	0.48	-					
					2' - <3'	0.51	0.57	0.47	0.14	-	-	-	62					
					3' - <5'	0.48	0.57	0.46	0.14	-	-	-	62					
					5' - 10'	0.47	0.50	0.50	0.14	-	-	-	55					
					15'	0.59	0.58	0.56	0.14	-	-	-	55					
	11.5 13	11.5 13	11 11	8 to 12	20'	0.77	0.77	0.74	0.14	-	-	-	55					
					25'	0.92	0.95	0.91	0.14	-	-	-	55					
					30'	0.94	1.09	1.06	0.14	-	-	-	55					
					11' x 6'	11	11	11	4 to 12	0.33' - <2'	0.45	0.62	0.52	0.27	0.27	0.41	0.45	-
										2' - <3'	0.45	0.62	0.52	0.14	-	-	-	62
3' - <5'	0.42	0.58	0.51	0.14						-	-	-	55					
5' - 10'	0.43	0.56	0.56	0.14						-	-	-	55					
15'	0.54	0.65	0.64	0.14						-	-	-	50					
11.5 13	11.5 13	11 11	8 to 12	20'		0.70	0.86	0.83	0.14	-	-	-	50					
				25'		0.83	1.07	1.03	0.14	-	-	-	50					
				30'		0.85	1.22	1.19	0.14	-	-	-	50					
				11' x 8'		11	11	11	4 to 12	0.33' - <2'	0.42	0.67	0.57	0.27	0.27	0.39	0.43	-
										2' - <3'	0.43	0.67	0.57	0.14	-	-	-	62
3' - <5'	0.39	0.63	0.56		0.14					-	-	-	62					
5' - 10'	0.43	0.60	0.61		0.14					-	-	-	55					
15'	0.54	0.72	0.71		0.14					-	-	-	50					
11.5 13	11.5 13	11 11	8 to 12		20'	0.70	0.94	0.92	0.14	-	-	-	50					
					25'	0.82	1.16	1.13	0.14	-	-	-	50					
					30'	0.86	1.32	1.30	0.14	-	-	-	50					
					11' x 10'	11	11	11	4 to 12	0.33' - <2'	0.44	0.71	0.62	0.27	0.27	0.38	0.44	-
										2' - <3'	0.44	0.71	0.62	0.14	-	-	-	75
3' - <5'	0.41	0.67	0.61	0.14						-	-	-	69					
5' - 10'	0.47	0.64	0.66	0.14						-	-	-	62					
15'	0.59	0.78	0.78	0.14						-	-	-	55					
11.5 13	12 13.5	11 11	8 to 12	20'		0.75	1.03	1.01	0.14	-	-	-	50					
				25'		0.85	1.24	1.22	0.14	-	-	-	50					
				30'		0.91	1.40	1.39	0.14	-	-	-	50					
				11' x 11'		11	11	11	4 to 12	0.33' - <2'	0.45	0.72	0.64	0.27	0.27	0.39	0.45	-
										2' - <3'	0.45	0.72	0.64	0.18	-	-	-	86
3' - <5'	0.42	0.69	0.63		0.18					-	-	-	75					
5' - 10'	0.51	0.66	0.69		0.16					-	-	-	69					
15'	0.63	0.81	0.82		0.14					-	-	-	55					
11.5 13	12 13.5	11 11	8 to 12		20'	0.80	1.07	1.06	0.14	-	-	-	55					
					25'	0.91	1.29	1.27	0.14	-	-	-	50					
					30'	0.99	1.44	1.44	0.14	-	-	-	50					

See General Note 5

**TABLE 8 - STANDARD PRECAST BOX CULVERT DESIGNS (2" COVER) - 12' SPANS**

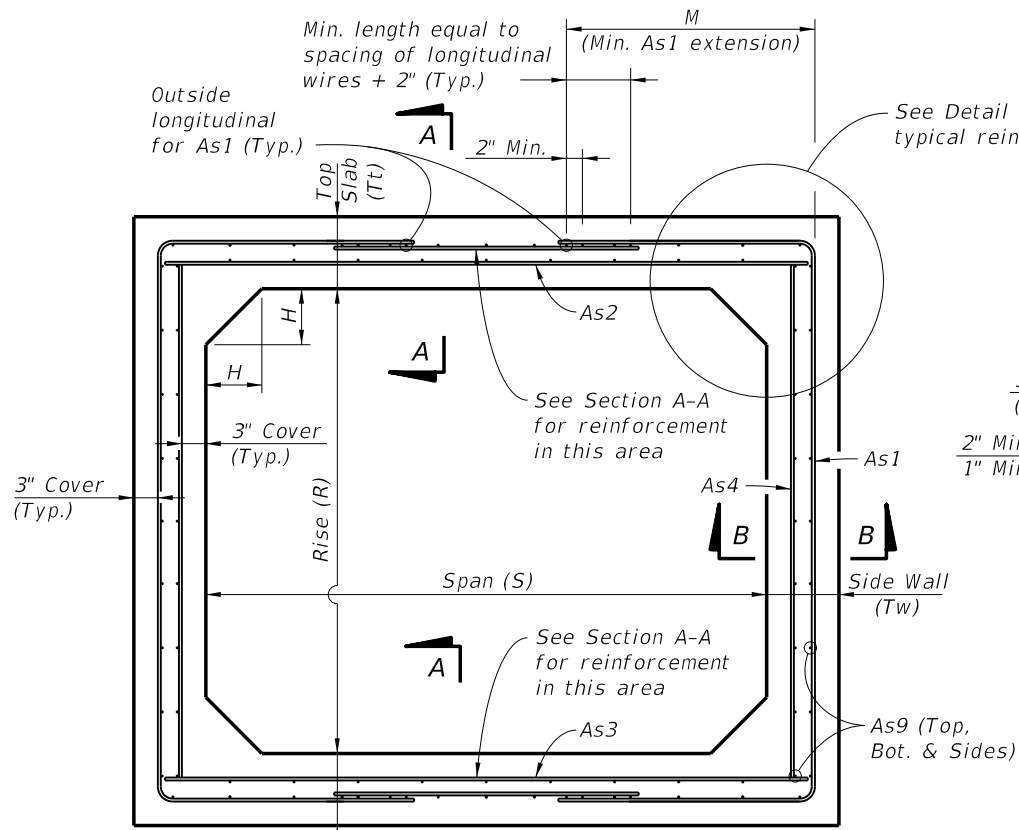
SPAN x RISE (S) (R) (Ft.)	SLAB / WALL THICKNESS				DESIGN EARTH COVER ABOVE TOP SLAB	REINFORCEMENT AREAS (sq. in./Ft.)									As1 EXT. LENGTH (M) (in.)			
	TOP (Tt) (in.)	BOT. (Tb) (in.)	SIDE (Tw) (in.)	HAUNCH (H) (in.)		As1	As2	As3	As4	As5	As7	As8	As9					
12' x 4'	12	12	12	4 to 12	0.33' - <2'	0.52	0.57	0.45	0.29	0.29	0.47	0.49	-					
					2' - <3'	0.52	0.57	0.45	0.15	-	-	-	73					
					3' - <5'	0.50	0.54	0.45	0.15	-	-	-	66					
					5' - 10'	0.50	0.52	0.52	0.15	-	-	-	66					
					15'	0.63	0.61	0.59	0.15	-	-	-	59					
	12.5 14	12.5 14	12 12	8 to 12	20'	0.82	0.81	0.77	0.15	-	-	-	59					
					25'	0.99	0.99	0.95	0.15	-	-	-	59					
					30'	1.03	1.15	1.11	0.15	-	-	-	59					
					12' x 6'	12	12	12	4 to 12	0.33' - <2'	0.47	0.62	0.51	0.29	0.29	0.42	0.46	-
										2' - <3'	0.47	0.62	0.51	0.15	-	-	-	66
3' - <5'	0.45	0.60	0.51	0.15						-	-	-	59					
5' - 10'	0.47	0.59	0.59	0.15						-	-	-	59					
15'	0.57	0.68	0.66	0.15						-	-	-	53					
12.5 14	12.5 14.5	12 12	8 to 12	20'		0.74	0.90	0.86	0.15	-	-	-	53					
				25'		0.88	1.11	1.06	0.15	-	-	-	53					
				30'		0.92	1.27	1.24	0.15	-	-	-	53					
				12' x 8'		12	12	12	4 to 12	0.33' - <2'	0.44	0.67	0.56	0.29	0.29	0.40	0.44	-
										2' - <3'	0.44	0.67	0.56	0.15	-	-	-	66
3' - <5'	0.41	0.64	0.56		0.15					-	-	-	59					
5' - 10'	0.45	0.63	0.64		0.15					-	-	-	59					
15'	0.56	0.75	0.73		0.15					-	-	-	53					
12.5 14	13 14.5	12 12	8 to 12		20'	0.72	0.98	0.95	0.15	-	-	-	53					
					25'	0.85	1.20	1.16	0.15	-	-	-	53					
					30'	0.89	1.38	1.35	0.15	-	-	-	53					
					12' x 10'	12	12	12	4 to 12	0.33' - <2'	0.44	0.71	0.60	0.29	0.29	0.39	0.44	-
										2' - <3'	0.44	0.71	0.60	0.15	-	-	-	73
3' - <5'	0.42	0.68	0.60	0.15						-	-	-	66					
5' - 10'	0.47	0.67	0.69	0.15						-	-	-	59					
15'	0.59	0.81	0.81	0.15						-	-	-	53					
12.5 14	13 14.5	12 12	8 to 12	20'		0.75	1.06	1.04	0.15	-	-	-	53					
				25'		0.87	1.30	1.26	0.15	-	-	-	53					
				30'		0.92	1.47	1.45	0.15	-	-	-	53					
				12' x 12'		12	12	12	4 to 12	0.33' - <2'	0.46	0.74	0.64	0.29	0.29	0.40	0.46	-
										2' - <3'	0.46	0.74	0.64	0.20	-	-	-	93
3' - <5'	0.42	0.72	0.64		0.20					-	-	-	80					
5' - 10'	0.54	0.71	0.74		0.18					-	-	-	73					
15'	0.66	0.87	0.89		0.15					-	-	-	59					
12.5 14	13 14.5	12 12.5	8 to 12		20'	0.83	1.14	1.13	0.15	-	-	-	59					
					25'	0.96	1.39	1.37	0.15	-	-	-	53					
					30'	1.05	1.56	1.56	0.15	-	-	-	53					

See General Note 5

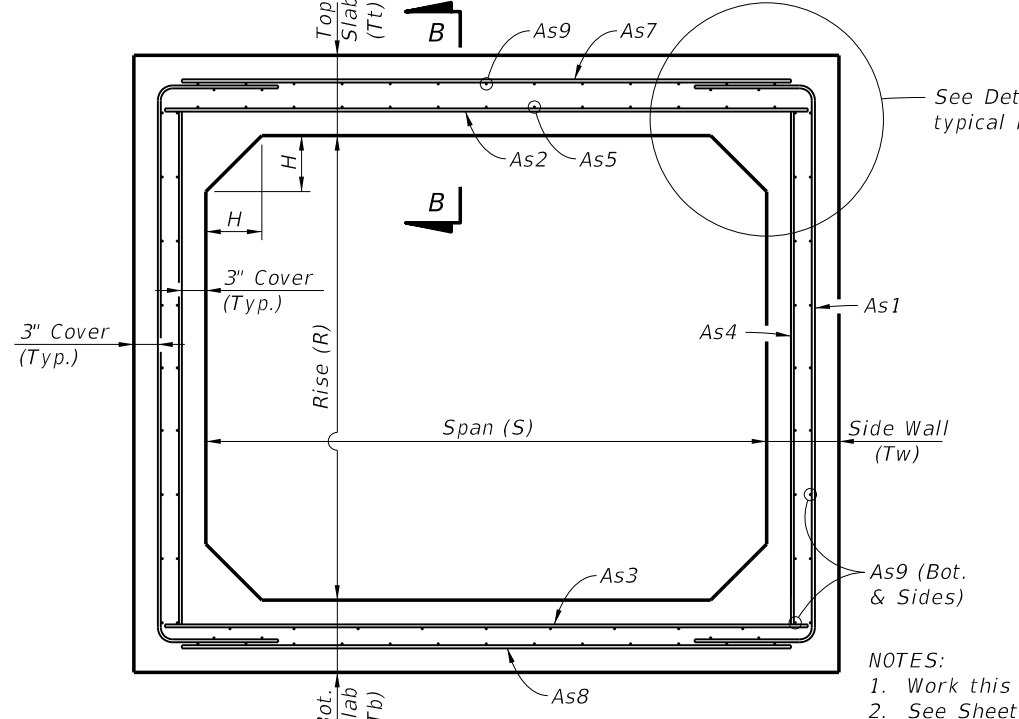
**NOTES:**

1. See Sheet 1 for Reinforcing Details and dimension locations.
2. See Sheet 2 for General Notes.
3. See Sheet 14 for Welded Wire Reinforcement Bending Diagram.

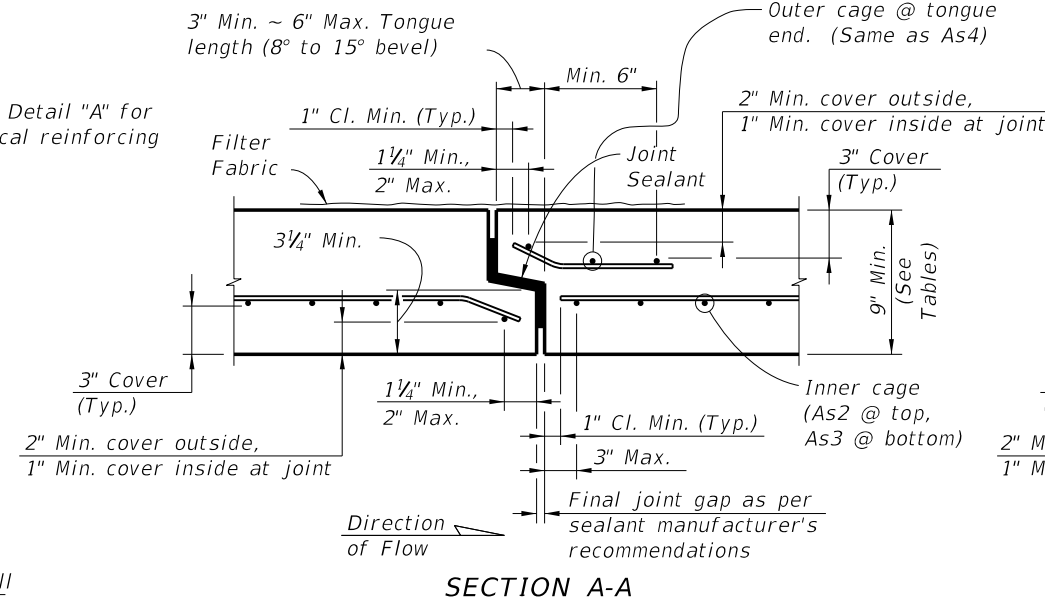
C:\projects\standards\structures\current\ready\4release\_2014\BOOK\00292-07 of 14.dgn  
 sm970re  
 3:22:26 PM  
 6/24/2013



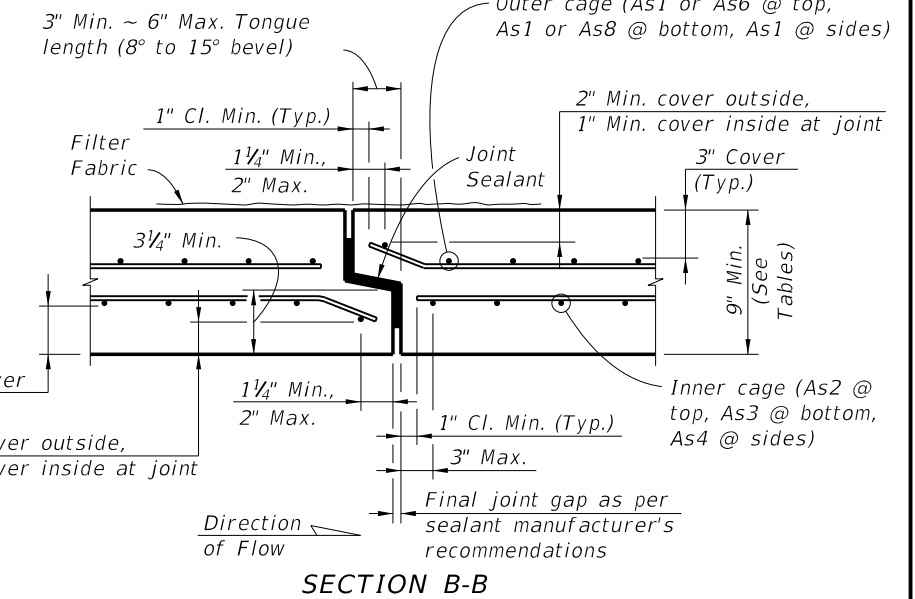
**TYPICAL BOX SECTION (TYPE 2)  
DESIGN EARTH COVER 2' OR GREATER  
(Option 1 Reinforcing Configuration Shown)**



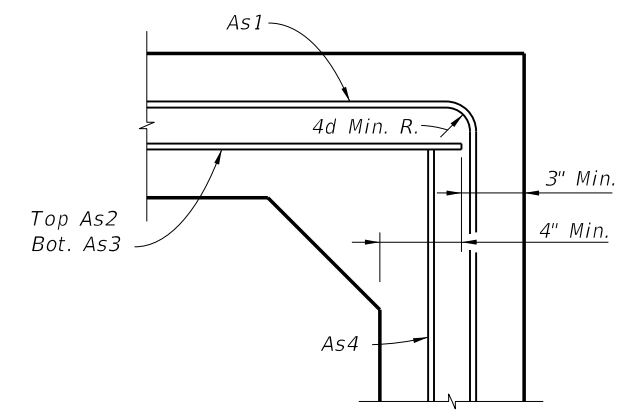
**TYPICAL BOX SECTION (TYPE 1)  
DESIGN EARTH COVER LESS THAN 2'  
(Option 1 Reinforcing Configuration Shown)**



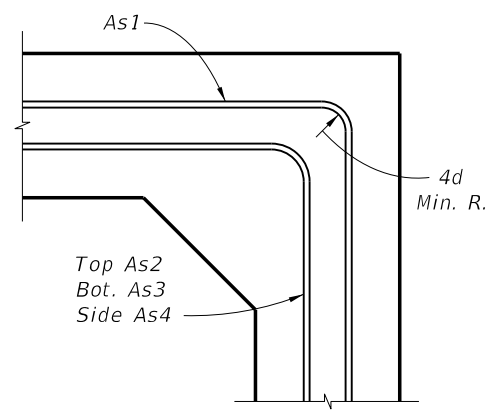
**SECTION A-A**



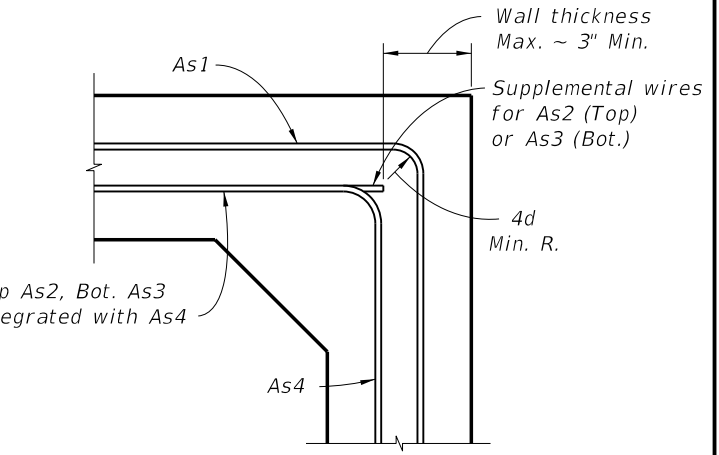
**SECTION B-B  
TYPICAL SECTION THRU JOINT**



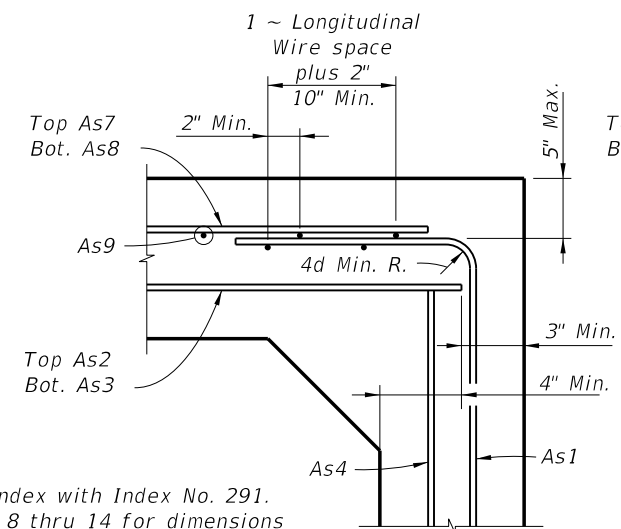
**DETAIL "A"  
(OPTION 1)**



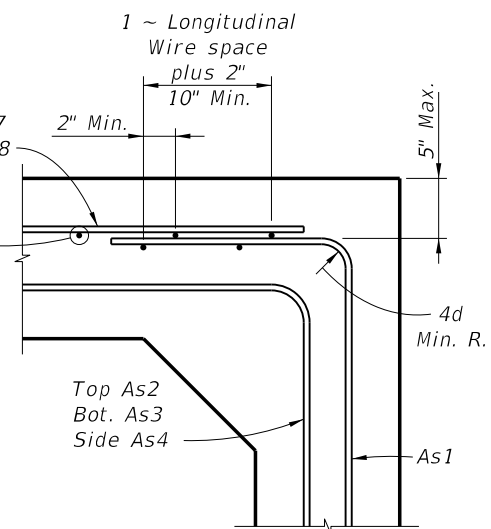
**DETAIL "A"  
(OPTION 2)**



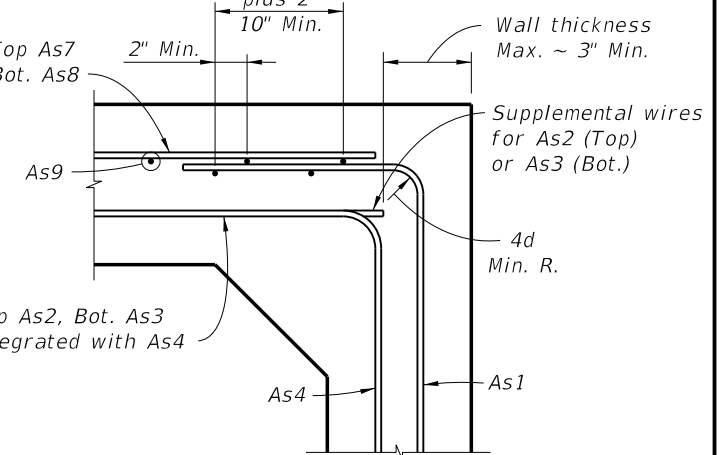
**DETAIL "A"  
(OPTION 3)**



**DETAIL "B"  
(OPTION 1)**




**DETAIL "B"  
(OPTION 2)**



**DETAIL "B"  
(OPTION 3)**

**NOTES:**  
 1. Work this Index with Index No. 291.  
 2. See Sheets 8 thru 14 for dimensions and areas of reinforcement.

**STANDARD PRECAST BOX CULVERT WITH 3" CONCRETE COVER**

LAST REVISION 07/01/13	REVISION	DESCRIPTION:	 <b>FDOT 2014 DESIGN STANDARDS</b>	<b>STANDARD PRECAST CONCRETE BOX CULVERTS</b>	<b>INDEX NO. 292</b>	<b>SHEET NO. 7 of 14</b>
---------------------------	----------	--------------	--	---	--------------------------	------------------------------

C:\projects\standards\structures\current\read\4release\2014B00K\00292-08of14.dgn sm970re 3:22:28 PM 6/24/2013

**TABLE 9A - STANDARD PRECAST BOX CULVERT DESIGNS (3" COVER) - 3' & 4' SPANS**

SPAN x RISE (S) (R) (Ft.)	SLAB / WALL THICKNESS				DESIGN EARTH COVER ABOVE TOP SLAB	REINFORCEMENT AREAS (sq. in./Ft.)								As1 EXT. LENGTH (M) (in.)				
	TOP (Tt) (in.)	BOT. (Tb) (in.)	SIDE (Tw) (in.)	HAUNCH (H) (in.)		As1	As2	As3	As4	As5	As7	As8	As9					
3' x 3'	9	9	9	to 8	0.33' - <2'	0.22	0.24	0.22	0.22	0.22	0.22	0.22	-	-				
					2' - <3'	0.11	0.23	0.22	0.11	-	-	-	31					
					3' - <5'	0.11	0.22	0.22	0.11	-	-	-	31					
					5' - 10'	0.11	0.22	0.22	0.11	-	-	-	31					
					15'	0.11	0.22	0.22	0.11	-	-	-	31					
					20'	0.13	0.22	0.22	0.11	-	-	-	31					
					25'	0.16	0.22	0.22	0.11	-	-	-	31					
					30'	0.19	0.24	0.25	0.11	-	-	-	31					
					35'	0.22	0.28	0.29	0.11	-	-	-	31					
					4' x 3'	9	9	9	to 8	0.33' - <2'	0.22	0.32	0.24	0.22	0.22	0.22	0.22	-
2' - <3'	0.17	0.31	0.24	0.11						-	-	-	38					
3' - <5'	0.13	0.22	0.22	0.11						-	-	-	38					
5' - 10'	0.13	0.22	0.22	0.11						-	-	-	38					
15'	0.17	0.22	0.22	0.11						-	-	-	38					
20'	0.23	0.26	0.27	0.11						-	-	-	38					
25'	0.28	0.32	0.34	0.11						-	-	-	38					
30'	0.33	0.39	0.40	0.11						-	-	-	38					
4' x 4'	9	9	9	to 8						0.33' - <2'	0.22	0.34	0.26	0.22	0.22	0.22	0.22	-
										2' - <3'	0.17	0.33	0.26	0.11	-	-	-	38
					3' - <5'	0.13	0.22	0.22	0.11	-	-	-	38					
					5' - 10'	0.14	0.22	0.22	0.11	-	-	-	38					
					15'	0.19	0.22	0.23	0.11	-	-	-	38					
					20'	0.24	0.28	0.30	0.11	-	-	-	38					
					25'	0.29	0.36	0.37	0.11	-	-	-	38					
					30'	0.34	0.43	0.45	0.11	-	-	-	38					

See General Note 5

**TABLE 9B - STANDARD PRECAST BOX CULVERT DESIGNS (3" COVER) - 3' & 4' SPANS**

SPAN x RISE (S) (R) (Ft.)	SLAB / WALL THICKNESS				DESIGN EARTH COVER ABOVE TOP SLAB	REINFORCEMENT AREAS (sq. in./Ft.)								As1 EXT. LENGTH (M) (in.)				
	TOP (Tt) (in.)	BOT. (Tb) (in.)	SIDE (Tw) (in.)	HAUNCH (H) (in.)		As1	As2	As3	As4	As5	As7	As8	As9					
3' x 3'	10	10	10	to 8	0.33' - <2'	0.24	0.24	0.24	0.24	0.24	0.24	0.24	-					
					2' - <3'	0.12	0.24	0.24	0.24	-	-	-	31					
					3' - <5'	0.12	0.24	0.24	0.24	-	-	-	31					
					5' - 10'	0.12	0.24	0.24	0.24	-	-	-	31					
					15'	0.12	0.24	0.24	0.24	-	-	-	31					
					20'	0.12	0.24	0.24	0.24	-	-	-	31					
					25'	0.13	0.24	0.24	0.24	-	-	-	31					
					30'	0.15	0.24	0.24	0.12	-	-	-	31					
					35'	0.18	0.24	0.24	0.12	-	-	-	31					
					4' x 3'	10	10	10	to 8	0.33' - <2'	0.24	0.26	0.24	0.24	0.24	0.24	0.24	-
2' - <3'	0.14	0.26	0.24	0.12						-	-	-	38					
3' - <5'	0.12	0.24	0.24	0.12						-	-	-	38					
5' - 10'	0.12	0.24	0.24	0.12						-	-	-	38					
15'	0.14	0.24	0.24	0.12						-	-	-	38					
20'	0.18	0.24	0.24	0.12						-	-	-	38					
25'	0.22	0.26	0.27	0.12						-	-	-	38					
30'	0.26	0.31	0.32	0.12						-	-	-	38					
4' x 4'	10	10	10	to 8						0.33' - <2'	0.24	0.28	0.24	0.24	0.24	0.24	0.24	-
										2' - <3'	0.14	0.28	0.24	0.12	-	-	-	38
					3' - <5'	0.12	0.24	0.24	0.12	-	-	-	38					
					5' - 10'	0.12	0.24	0.24	0.12	-	-	-	38					
					15'	0.15	0.24	0.24	0.12	-	-	-	38					
					20'	0.19	0.24	0.24	0.12	-	-	-	38					
					25'	0.23	0.28	0.30	0.12	-	-	-	38					
					30'	0.27	0.34	0.35	0.12	-	-	-	38					

See General Note 5

- NOTES:  
 1. See Sheet 2 for General Notes.  
 2. See Sheet 7 for Reinforcing Details and dimension locations.  
 3. See Sheet 14 for WWR Bending Diagrams.

C:\projects\standards\structures\current\ready\4release\2014\B00K\00292-09of14.dgn  
smg70re  
3:22:30 PM  
6/24/2013

**TABLE 10A - STANDARD PRECAST BOX CULVERT DESIGNS (3" COVER) - 5' & 6' SPANS**

SPAN x RISE (S) (R) (Ft.)	SLAB / WALL THICKNESS				DESIGN EARTH COVER ABOVE TOP SLAB	REINFORCEMENT AREAS (sq. in./Ft.)								As1 EXT. LENGTH (M) (in.)
	TOP (Tt) (in.)	BOT. (Tb) (in.)	SIDE (Tw) (in.)	HAUNCH (H) (in.)		As1	As2	As3	As4	As5	As7	As8	As9	
5' x 3'	9	9	9	4	0.33' - <2'	0.27	0.39	0.37	0.22	0.22	0.22	0.27	-	
					2' - <3'	0.26	0.39	0.37	0.11	-	-	-	45	
					3' - <5'	0.19	0.24	0.25	0.11	-	-	-	36	
					5' - 10'	0.20	0.22	0.22	0.11	-	-	-	36	
				8	15'	0.28	0.28	0.30	0.11	-	-	-	35	
					20'	0.37	0.38	0.39	0.11	-	-	-	35	
					25'	0.45	0.48	0.49	0.11	-	-	-	35	
					30'	0.54	0.58	0.59	0.11	-	-	-	35	
5' x 4'	9	9	9	4	0.33' - <2'	0.26	0.42	0.39	0.22	0.22	0.22	0.26	-	
					2' - <3'	0.26	0.42	0.39	0.11	-	-	-	45	
					3' - <5'	0.19	0.26	0.27	0.11	-	-	-	45	
					5' - 10'	0.20	0.22	0.23	0.11	-	-	-	36	
				8	15'	0.27	0.31	0.33	0.11	-	-	-	35	
					20'	0.36	0.42	0.43	0.11	-	-	-	35	
					25'	0.44	0.52	0.54	0.11	-	-	-	35	
					30'	0.53	0.63	0.65	0.11	-	-	-	35	
5' x 5'	9	9	9	4	0.33' - <2'	0.27	0.44	0.42	0.22	0.22	0.22	0.27	-	
					2' - <3'	0.27	0.44	0.42	0.11	-	-	-	45	
					3' - <5'	0.20	0.27	0.28	0.11	-	-	-	45	
					5' - 10'	0.22	0.23	0.26	0.11	-	-	-	45	
				8	15'	0.30	0.34	0.36	0.11	-	-	-	36	
					20'	0.38	0.45	0.47	0.11	-	-	-	35	
					25'	0.47	0.56	0.59	0.11	-	-	-	35	
					30'	0.55	0.68	0.71	0.11	-	-	-	35	
6' x 3'	9	9	9	4	0.33' - <2'	0.34	0.47	0.42	0.22	0.22	0.25	0.34	-	
					2' - <3'	0.34	0.47	0.42	0.11	-	-	-	43	
					3' - <5'	0.27	0.31	0.32	0.11	-	-	-	39	
					5' - 10'	0.29	0.26	0.28	0.11	-	-	-	39	
				12	15'	0.42	0.39	0.40	0.11	-	-	-	38	
					20'	0.55	0.52	0.53	0.11	-	-	-	38	
					25'	0.68	0.66	0.67	0.11	-	-	-	38	
					30'	0.82	0.81	0.82	0.11	-	-	-	38	
6' x 4'	9	9	9	4	0.33' - <2'	0.33	0.50	0.46	0.22	0.22	0.23	0.33	-	
					2' - <3'	0.33	0.50	0.46	0.11	-	-	-	43	
					3' - <5'	0.27	0.33	0.35	0.11	-	-	-	39	
					5' - 10'	0.28	0.29	0.31	0.11	-	-	-	39	
				12	15'	0.40	0.43	0.45	0.11	-	-	-	38	
					20'	0.52	0.57	0.59	0.11	-	-	-	38	
					25'	0.65	0.73	0.74	0.11	-	-	-	38	
					30'	0.78	0.88	0.90	0.11	-	-	-	38	
6' x 5'	9	9	9	4	0.33' - <2'	0.33	0.52	0.49	0.22	0.22	0.23	0.33	-	
					2' - <3'	0.33	0.52	0.49	0.11	-	-	-	43	
					3' - <5'	0.27	0.35	0.37	0.11	-	-	-	43	
					5' - 10'	0.29	0.31	0.34	0.11	-	-	-	39	
				12	15'	0.41	0.46	0.49	0.11	-	-	-	38	
					20'	0.53	0.62	0.64	0.11	-	-	-	38	
					25'	0.66	0.78	0.80	0.11	-	-	-	38	
					30'	0.78	0.95	0.97	0.11	-	-	-	38	
6' x 6'	9	9	9	4	0.33' - <2'	0.34	0.55	0.51	0.22	0.22	0.24	0.34	-	
					2' - <3'	0.34	0.54	0.51	0.11	-	-	-	52	
					3' - <5'	0.29	0.37	0.39	0.11	-	-	-	52	
					5' - 10'	0.32	0.34	0.37	0.11	-	-	-	43	
				12	15'	0.44	0.50	0.53	0.11	-	-	-	39	
					20'	0.57	0.66	0.70	0.11	-	-	-	39	
					25'	0.70	0.84	0.87	0.11	-	-	-	38	
					30'	0.83	1.02	1.05	0.11	-	-	-	38	

See General Note 5

**TABLE 10B - STANDARD PRECAST BOX CULVERT DESIGNS (3" COVER) - 5' & 6' SPANS**

SPAN x RISE (S) (R) (Ft.)	SLAB / WALL THICKNESS				DESIGN EARTH COVER ABOVE TOP SLAB	REINFORCEMENT AREAS (sq. in./Ft.)								As1 EXT. LENGTH (M) (in.)
	TOP (Tt) (in.)	BOT. (Tb) (in.)	SIDE (Tw) (in.)	HAUNCH (H) (in.)		As1	As2	As3	As4	As5	As7	As8	As9	
5' x 3'	10	10	10	4	0.33' - <2'	0.24	0.33	0.32	0.24	0.24	0.24	0.24	-	
					2' - <3'	0.22	0.33	0.32	0.12	-	-	-	45	
					3' - <5'	0.16	0.24	0.24	0.12	-	-	-	36	
					5' - 10'	0.16	0.24	0.24	0.12	-	-	-	36	
				12	15'	0.23	0.24	0.24	0.12	-	-	-	35	
					20'	0.29	0.30	0.31	0.12	-	-	-	35	
					25'	0.36	0.38	0.39	0.12	-	-	-	35	
					30'	0.43	0.46	0.47	0.12	-	-	-	35	
5' x 4'	10	10	10	4	0.33' - <2'	0.24	0.35	0.34	0.24	0.24	0.24	0.24	-	
					2' - <3'	0.22	0.35	0.34	0.12	-	-	-	45	
					3' - <5'	0.15	0.24	0.24	0.12	-	-	-	45	
					5' - 10'	0.16	0.24	0.24	0.12	-	-	-	36	
				12	15'	0.22	0.25	0.27	0.12	-	-	-	35	
					20'	0.29	0.33	0.34	0.12	-	-	-	35	
					25'	0.36	0.41	0.43	0.12	-	-	-	35	
					30'	0.42	0.50	0.51	0.12	-	-	-	35	
5' x 5'	10	10	10	4	0.33' - <2'	0.24	0.37	0.36	0.24	0.24	0.24	0.24	-	
					2' - <3'	0.21	0.37	0.36	0.12	-	-	-	45	
					3' - <5'	0.16	0.24	0.25	0.12	-	-	-	45	
					5' - 10'	0.17	0.24	0.24	0.12	-	-	-	45	
				12	15'	0.24	0.27	0.29	0.12	-	-	-	36	
					20'	0.30	0.36	0.38	0.12	-	-	-	35	
					25'	0.37	0.44	0.47	0.12	-	-	-	35	
					30'	0.44	0.53	0.56	0.12	-	-	-	35	
6' x 3'	10	10	10	4	0.33' - <2'	0.28	0.40	0.36	0.24	0.24	0.24	0.28	-	
					2' - <3'	0.28	0.40	0.36	0.12	-	-	-	43	
					3' - <5'	0.22	0.26	0.28	0.12	-	-	-	39	
					5' - 10'	0.24	0.24	0.24	0.12	-	-	-	39	
				12	15'	0.34	0.31	0.32	0.12	-	-	-	38	
					20'	0.44	0.41	0.42	0.12	-	-	-	38	
					25'	0.54	0.52	0.53	0.12	-	-	-	38	
					30'	0.64	0.63	0.64	0.12	-	-	-	38	
6' x 4'	10	10	10	4	0.33' - <2'	0.27	0.42	0.39	0.24	0.24	0.24	0.27	-	
					2' - <3'	0.27	0.42	0.39	0.12	-	-	-	43	
					3' - <5'	0.21	0.28	0.30	0.12	-	-	-	39	
					5' - 10'	0.23	0.24	0.25	0.12	-	-	-	39	
				12	15'	0.32	0.34	0.35	0.12	-	-	-	38	
					20'	0.42	0.45	0.47	0.12	-	-	-	38	
					25'	0.51	0.56	0.58	0.12	-	-	-	38	
					30'	0.61	0.68	0.70	0.12	-	-	-	38	
6' x 5'	10	10	10	4	0.33' - <2'	0.26	0.44	0.42	0.24	0.24	0.24	0.26	-	
					2' - <3'	0.26	0.44	0.42	0.12	-	-	-	43	
					3' - <5'	0.22	0.30	0.33	0.12	-	-	-	43	
					5' - 10'	0.24	0.25	0.27	0.12	-	-	-	39	
				12	15'	0.33	0.36	0.39	0.12	-	-	-	38	
					20'	0.42	0.48	0.51	0.12	-	-	-	38	
					25'	0.52	0.61	0.63	0.12	-	-	-	38	
					30'	0.61	0.74	0.76	0.12	-	-	-	38	
6' x 6'	10	10	10	4	0.33' - <2'	0.27	0.46	0.44	0.24	0.24	0.24	0.27	-	
					2' - <3'	0.27	0.46	0.44	0.12	-	-	-	52	
					3' - <5'	0.23	0.31	0.34	0.12	-	-	-	52	
					5' - 10'	0.25	0.27	0.30	0.12	-	-	-	43	
				12	15'	0.35	0.39	0.42	0.12	-	-	-	39	
					20'	0.45	0.52	0.55	0.12	-	-	-	39	
					25'	0.54	0.65	0.68	0.12	-	-	-	38	
					30'	0.64	0.78	0.81	0.12	-	-	-	38	

See General Note 5

LAST REVISION  
07/01/13

REVISION DESCRIPTION:



STANDARD PRECAST CONCRETE BOX CULVERTS

INDEX NO.  
292

SHEET NO.  
9 of 14

C:\projects\standards\structures\current\ready\4release\2014\B00K\00292-10of14.dgn sm970re 3:22:33 PM 6/24/2013

**TABLE 11A - STANDARD PRECAST BOX CULVERT DESIGNS (3" COVER) - 7' SPANS**

SPAN x RISE (S) (R) (Ft.)	SLAB / WALL THICKNESS				DESIGN EARTH COVER ABOVE TOP SLAB	REINFORCEMENT AREAS (sq. in./Ft.)								As1 EXT. LENGTH (M) (in.)				
	TOP (Tt) (in.)	BOT. (Tb) (in.)	SIDE (Tw) (in.)	HAUNCH (H) (in.)		As1	As2	As3	As4	As5	As7	As8	As9					
															See General Note 5			
7' x 4'	9	9	9	4 to 12	0.33' - <2'	0.42	0.58	0.52	0.22	0.22	0.31	0.42	-	43				
					2' - <3'	0.42	0.58	0.51	0.11	-	-	-	43					
					3' - <5'	0.36	0.41	0.44	0.11	-	-	-	43					
					5' - 10'	0.39	0.40	0.39	0.11	-	-	-	41					
					15'	0.56	0.56	0.58	0.11	-	-	-	41					
	9	9.5	9	7 to 12	20'	0.74	0.76	0.77	0.11	-	-	-	41					
					25'	0.92	0.97	0.97	0.11	-	-	-	41					
					30'	1.09	1.18	1.10	0.11	-	-	-	41					
					7' x 5'	9	9	4 to 12	0.33' - <2'	0.41	0.61	0.55	0.22	0.23	0.30	0.41	-	47
									2' - <3'	0.41	0.61	0.55	0.11	-	-	-	43	
3' - <5'	0.37	0.43	0.47	0.11					-	-	-	43						
5' - 10'	0.39	0.41	0.43	0.11					-	-	-	41						
15'	0.56	0.61	0.63	0.11					-	-	-	41						
9	9.5	9	7 to 12	20'		0.73	0.82	0.83	0.11	-	-	-	41					
				25'		0.90	1.04	1.06	0.11	-	-	-	41					
				30'		1.06	1.26	1.19	0.11	-	-	-	41					
				7' x 6'		9	9	4 to 12	0.33' - <2'	0.42	0.63	0.58	0.22	0.24	0.30	0.42	-	59
									2' - <3'	0.42	0.63	0.58	0.11	-	-	-	47	
3' - <5'	0.38	0.45	0.50		0.11				-	-	-	43						
5' - 10'	0.41	0.44	0.47		0.11				-	-	-	41						
15'	0.57	0.65	0.68		0.11				-	-	-	41						
9	9.5	9	7 to 12		20'	0.75	0.87	0.90	0.11	-	-	-	41					
					25'	0.93	1.11	1.13	0.11	-	-	-	41					
					30'	1.07	1.35	1.27	0.11	-	-	-	41					
					7' x 7'	9	9	4 to 12	0.33' - <2'	0.44	0.66	0.61	0.22	0.25	0.31	0.44	-	59
									2' - <3'	0.44	0.65	0.61	0.11	-	-	-	59	
3' - <5'	0.41	0.47	0.52	0.11					-	-	-	47						
5' - 10'	0.44	0.47	0.52	0.11					-	-	-	43						
15'	0.62	0.69	0.74	0.11					-	-	-	43						
9	9.5	9	7 to 12	20'		0.80	0.93	0.97	0.11	-	-	-	43					
				25'		0.99	1.18	1.22	0.11	-	-	-	43					
				30'		1.12	1.43	1.36	0.11	-	-	-	41					

**TABLE 11B - STANDARD PRECAST BOX CULVERT DESIGNS (3" COVER) - 7' SPANS**

SPAN x RISE (S) (R) (Ft.)	SLAB / WALL THICKNESS				DESIGN EARTH COVER ABOVE TOP SLAB	REINFORCEMENT AREAS (sq. in./Ft.)								As1 EXT. LENGTH (M) (in.)				
	TOP (Tt) (in.)	BOT. (Tb) (in.)	SIDE (Tw) (in.)	HAUNCH (H) (in.)		As1	As2	As3	As4	As5	As7	As8	As9					
															See General Note 5			
7' x 4'	10	10	10	4 to 12	0.33' - <2'	0.33	0.49	0.44	0.24	0.24	0.24	0.33	-	43				
					2' - <3'	0.33	0.49	0.44	0.12	-	-	-	43					
					3' - <5'	0.29	0.35	0.38	0.12	-	-	-	43					
					5' - 10'	0.31	0.30	0.31	0.12	-	-	-	41					
					15'	0.44	0.44	0.45	0.12	-	-	-	41					
	10	10	10	7 to 12	20'	0.58	0.59	0.60	0.12	-	-	-	41					
					25'	0.71	0.74	0.75	0.12	-	-	-	41					
					30'	0.85	0.91	0.91	0.12	-	-	-	41					
					7' x 5'	10	10	4 to 12	0.33' - <2'	0.32	0.51	0.47	0.24	0.24	0.24	0.32	-	47
									2' - <3'	0.32	0.51	0.47	0.12	-	-	-	43	
3' - <5'	0.29	0.37	0.41	0.12					-	-	-	43						
5' - 10'	0.31	0.32	0.35	0.12					-	-	-	41						
15'	0.44	0.47	0.50	0.12					-	-	-	41						
10	10	10	7 to 12	20'		0.57	0.63	0.65	0.12	-	-	-	41					
				25'		0.70	0.80	0.82	0.12	-	-	-	41					
				30'		0.84	0.97	0.99	0.12	-	-	-	41					
				7' x 6'		10	10	4 to 12	0.33' - <2'	0.33	0.53	0.50	0.24	0.24	0.24	0.33	-	59
									2' - <3'	0.33	0.53	0.50	0.12	-	-	-	47	
3' - <5'	0.30	0.38	0.43		0.12				-	-	-	43						
5' - 10'	0.33	0.35	0.38		0.12				-	-	-	41						
15'	0.45	0.51	0.54		0.12				-	-	-	41						
10	10	10	7 to 12		20'	0.58	0.68	0.70	0.12	-	-	-	41					
					25'	0.72	0.85	0.88	0.12	-	-	-	41					
					30'	0.85	1.04	1.06	0.12	-	-	-	41					
					7' x 7'	10	10	4 to 12	0.33' - <2'	0.35	0.55	0.52	0.24	0.24	0.24	0.35	-	59
									2' - <3'	0.35	0.55	0.52	0.12	-	-	-	59	
3' - <5'	0.32	0.40	0.46	0.12					-	-	-	47						
5' - 10'	0.35	0.37	0.41	0.12					-	-	-	43						
15'	0.48	0.54	0.58	0.12					-	-	-	43						
10	10	10	7 to 12	20'		0.62	0.72	0.76	0.12	-	-	-	43					
				25'		0.76	0.90	0.94	0.12	-	-	-	43					
				30'		0.90	1.10	1.13	0.12	-	-	-	41					

**NOTES:**

1. See Sheet 2 for General Notes.
2. See Sheet 7 for Reinforcing Details and dimension locations.
3. See Sheet 14 for WWR Bending Diagrams.

C:\projects\standards\structures\current\ready\4release\2014\BOOK\00292-11of14.dgn 3:22:37 PM 6/24/2013 sm970re

**TABLE 12A - STANDARD PRECAST BOX CULVERT DESIGNS (3" COVER) - 8' SPANS**

SPAN x RISE (S) (R) (Ft.)	SLAB / WALL THICKNESS				DESIGN EARTH COVER ABOVE TOP SLAB	REINFORCEMENT AREAS (sq. in./Ft.)								As1 EXT. LENGTH (M) (in.)				
	TOP (Tt) (in.)	BOT. (Tb) (in.)	SIDE (Tw) (in.)	HAUNCH (H) (in.)		As1	As2	As3	As4	As5	As7	As8	As9					
8' x 4'	9	9	9	4	0.33' - <2'	0.52	0.66	0.57	0.22	0.24	0.42	0.52	-					
				2' - <3'	0.52	0.66	0.57	0.11	-	-	-	50						
				3' - <5'	0.48	0.49	0.52	0.11	-	-	-	50						
				5' - 10'	0.52	0.48	0.49	0.11	-	-	-	45						
				12	15'	0.75	0.72	0.72	0.11	-	-	-	41					
	10	9.5	9	8 to 12	20'	1.00	0.98	0.97	0.11	-	-	-	41					
					25'	1.25	1.24	1.14	0.11	-	-	-	41					
					30'	1.31	1.29	1.21	0.11	-	-	-	41					
					8' x 5'	9	9	9	4	0.33' - <2'	0.51	0.69	0.60	0.22	0.25	0.40	0.51	-
									2' - <3'	0.51	0.69	0.60	0.11	-	-	-	50	
3' - <5'	0.46	0.52	0.56	0.11					-	-	-	45						
5' - 10'	0.51	0.51	0.53	0.11					-	-	-	45						
12	15'	0.74	0.77	0.78					0.11	-	-	-	41					
10	9.5	9	8 to 12	20'		0.97	1.05	1.05	0.11	-	-	-	41					
				25'		1.20	1.33	1.23	0.11	-	-	-	41					
				30'		1.26	1.38	1.30	0.11	-	-	-	41					
				8' x 6'		9	9	9	4	0.33' - <2'	0.51	0.72	0.64	0.22	0.26	0.39	0.51	-
									2' - <3'	0.51	0.72	0.64	0.11	-	-	-	50	
3' - <5'	0.47	0.55	0.59		0.11				-	-	-	50						
5' - 10'	0.52	0.55	0.58		0.11				-	-	-	45						
12	15'	0.74	0.83		0.85				0.11	-	-	-	41					
10	9.5	9	8 to 12		20'	0.97	1.12	1.13	0.11	-	-	-	41					
					25'	1.18	1.42	1.32	0.11	-	-	-	41					
					30'	1.26	1.46	1.39	0.11	-	-	-	41					
					8' x 7'	9	9	9	4	0.33' - <2'	0.52	0.74	0.67	0.22	0.26	0.40	0.52	-
									2' - <3'	0.52	0.74	0.67	0.11	-	-	-	55	
3' - <5'	0.49	0.57	0.62	0.11					-	-	-	55						
5' - 10'	0.55	0.59	0.63	0.11					-	-	-	50						
12	15'	0.77	0.88	0.91					0.11	-	-	-	41					
10	9.5	9	8 to 12	20'		1.01	1.19	1.21	0.11	-	-	-	41					
				25'		1.21	1.51	1.41	0.11	-	-	-	41					
				30'		1.31	1.53	1.47	0.11	-	-	-	41					
				8' x 8'		9	9	9	4	0.33' - <2'	0.55	0.77	0.70	0.22	0.27	0.41	0.55	-
									2' - <3'	0.55	0.77	0.70	0.13	-	-	-	65	
3' - <5'	0.53	0.59	0.64		0.12				-	-	-	65						
5' - 10'	0.60	0.63	0.68		0.11				-	-	-	55						
12	15'	0.83	0.93		0.98				0.11	-	-	-	45					
10	9.5	9	8 to 12		20'	1.08	1.26	1.29	0.11	-	-	-	45					
					25'	1.28	1.59	1.50	0.11	-	-	-	41					
					30'	1.41	1.61	1.55	0.11	-	-	-	41					

See General Note 5

**TABLE 12B - STANDARD PRECAST BOX CULVERT DESIGNS (3" COVER) - 8' SPANS**

SPAN x RISE (S) (R) (Ft.)	SLAB / WALL THICKNESS				DESIGN EARTH COVER ABOVE TOP SLAB	REINFORCEMENT AREAS (sq. in./Ft.)								As1 EXT. LENGTH (M) (in.)				
	TOP (Tt) (in.)	BOT. (Tb) (in.)	SIDE (Tw) (in.)	HAUNCH (H) (in.)		As1	As2	As3	As4	As5	As7	As8	As9					
8' x 4'	10	10	10	4	0.33' - <2'	0.42	0.56	0.49	0.24	0.24	0.32	0.41	-					
				2' - <3'	0.42	0.56	0.49	0.12	-	-	-	50						
				3' - <5'	0.38	0.42	0.46	0.12	-	-	-	50						
				5' - 10'	0.41	0.38	0.39	0.12	-	-	-	45						
				12	15'	0.59	0.56	0.57	0.12	-	-	-	41					
	10	10.5	10	8 to 12	20'	0.78	0.75	0.76	0.12	-	-	-	41					
					25'	0.97	0.96	0.96	0.12	-	-	-	41					
					30'	1.15	1.16	1.10	0.12	-	-	-	41					
					8' x 5'	10	10	10	4	0.33' - <2'	0.40	0.58	0.52	0.24	0.34	0.31	0.40	-
									2' - <3'	0.40	0.58	0.52	0.12	-	-	-	50	
3' - <5'	0.37	0.45	0.48	0.12					-	-	-	45						
5' - 10'	0.41	0.41	0.43	0.12					-	-	-	45						
12	15'	0.58	0.60	0.62					0.12	-	-	-	41					
10	10.5	10	8 to 12	20'		0.76	0.81	0.81	0.12	-	-	-	41					
				25'		0.94	1.03	1.03	0.12	-	-	-	41					
				30'		1.10	1.24	1.24	0.12	-	-	-	41					
				8' x 6'		10	10	10	4	0.33' - <2'	0.40	0.60	0.55	0.24	0.24	0.30	0.40	-
									2' - <3'	0.40	0.60	0.55	0.12	-	-	-	50	
3' - <5'	0.37	0.47	0.51		0.12				-	-	-	50						
5' - 10'	0.42	0.43	0.46		0.12				-	-	-	45						
12	15'	0.58	0.64		0.67				0.12	-	-	-	41					
10	10.5	10	8 to 12		20'	0.76	0.86	0.88	0.12	-	-	-	41					
					25'	0.94	1.09	1.11	0.12	-	-	-	41					
					30'	1.09	1.32	1.26	0.12	-	-	-	41					
					8' x 7'	10	10	10	4	0.33' - <2'	0.41	0.63	0.58	0.24	0.24	0.30	0.41	-
									2' - <3'	0.41	0.63	0.58	0.12	-	-	-	55	
3' - <5'	0.39	0.49	0.53	0.12					-	-	-	55						
5' - 10'	0.44	0.46	0.50	0.12					-	-	-	50						
12	15'	0.61	0.68	0.72					0.12	-	-	-	45					
10	10.5	10	8 to 12	20'		0.78	0.91	0.94	0.12	-	-	-	41					
				25'		0.97	1.16	1.18	0.12	-	-	-	41					
				30'		1.11	1.40	1.34	0.12	-	-	-	41					
				8' x 8'		10	10	10	4	0.33' - <2'	0.44	0.64	0.60	0.24	0.24	0.31	0.44	-
									2' - <3'	0.44	0.64	0.60	0.12	-	-	-	65	
3' - <5'	0.42	0.51	0.56		0.12				-	-	-	65						
5' - 10'	0.47	0.50	0.55		0.12				-	-	-	55						
12	15'	0.65	0.72		0.77				0.12	-	-	-	45					
10	10.5	10	8 to 12		20'	0.84	0.96	1.01	0.12	-	-	-	45					
					25'	1.03	1.22	1.26	0.12	-	-	-	41					
					30'	1.16	1.47	1.42	0.12	-	-	-	41					

See General Note 5

- NOTES:  
 1. See Sheet 2 for General Notes.  
 2. See Sheet 7 for Reinforcing Details and dimension locations.  
 3. See Sheet 14 for WWR Bending Diagrams.

**TABLE 13A - STANDARD PRECAST BOX CULVERT DESIGNS (3" COVER) - 9' SPANS**

SPAN x RISE (S) (R) (Ft.)	SLAB / WALL THICKNESS				DESIGN EARTH COVER ABOVE TOP SLAB	REINFORCEMENT AREAS (sq. in./Ft.)								As1 EXT. LENGTH (M) (in.)
	TOP (Tt) (in.)	BOT. (Tb) (in.)	SIDE (Tw) (in.)	HAUNCH (H) (in.)		As1	As2	As3	As4	As5	As7	As8	As9	
9' x 5'	9	9	9	4	0.33' - <2'	0.62	0.78	0.65	0.22	0.26	0.52	0.61	-	
				to	2' - <3'	0.62	0.78	0.65	0.11	-	-	-	54	
				12	3' - <5'	0.58	0.63	0.61	0.11	-	-	-	49	
					5' - 10'	0.65	0.63	0.64	0.11	-	-	-	49	
					15'	0.95	0.96	0.95	0.11	-	-	-	44	
		9	9	9	8	20'	1.26	1.32	1.28	0.11	-	-	-	44
		10	10.5	9	to	25'	1.39	1.41	1.32	0.11	-	-	-	44
		11	11.5	9	12	30'	1.46	1.50	1.42	0.11	-	-	-	44
	9' x 6'	9	9	9	4	0.33' - <2'	0.60	0.81	0.69	0.22	0.27	0.51	0.60	-
					to	2' - <3'	0.60	0.81	0.69	0.11	-	-	-	54
					12	3' - <5'	0.56	0.66	0.65	0.11	-	-	-	49
						5' - 10'	0.65	0.68	0.69	0.11	-	-	-	49
					15'	0.94	1.03	1.02	0.11	-	-	-	44	
		9	9	9	8	20'	1.25	1.40	1.38	0.11	-	-	-	44
		10	10.5	9	to	25'	1.37	1.49	1.40	0.11	-	-	-	44
		11	11.5	9	12	30'	1.44	1.58	1.50	0.11	-	-	-	44
9' x 7'		9	9	9	4	0.33' - <2'	0.61	0.84	0.72	0.22	0.28	0.51	0.61	-
					to	2' - <3'	0.61	0.83	0.72	0.11	-	-	-	59
					12	3' - <5'	0.58	0.69	0.68	0.11	-	-	-	54
						5' - 10'	0.67	0.73	0.75	0.11	-	-	-	49
					15'	0.96	1.09	1.10	0.11	-	-	-	44	
		9	9	9	8	20'	1.27	1.49	1.47	0.11	-	-	-	44
		10	10.5	9	to	25'	1.38	1.57	1.48	0.11	-	-	-	44
		11	11.5	9	12	30'	1.49	1.70	1.58	0.11	-	-	-	44
	9' x 8'	9	9.5	9	4	0.33' - <2'	0.60	0.85	0.73	0.22	0.29	0.52	0.53	-
					to	2' - <3'	0.64	0.86	0.76	0.12	-	-	-	59
					12	3' - <5'	0.62	0.72	0.72	0.11	-	-	-	59
						5' - 10'	0.71	0.77	0.81	0.11	-	-	-	54
					15'	1.01	1.16	1.17	0.11	-	-	-	44	
		9	9.5	9	8	20'	1.27	1.56	1.45	0.11	-	-	-	44
		10	10.5	9	to	25'	1.45	1.65	1.57	0.11	-	-	-	44
		11	11.5	9	12	30'	1.59	1.72	1.66	0.11	-	-	-	44
9' x 9'		9	9.5	9	4	0.33' - <2'	0.68	0.88	0.76	0.22	0.29	0.55	0.57	-
					to	2' - <3'	0.68	0.88	0.78	0.18	-	-	-	72
					12	3' - <5'	0.68	0.75	0.78	0.18	-	-	-	72
						5' - 10'	0.79	0.82	0.88	0.17	-	-	-	59
					15'	1.11	1.22	1.26	0.13	-	-	-	49	
		9	9.5	9	8	20'	1.37	1.64	1.54	0.13	-	-	-	49
		10	10.5	9	to	25'	1.56	1.73	1.65	0.13	-	-	-	44
		11	11.5	9.5	12	30'	1.56	1.73	1.68	0.12	-	-	-	44

See General Note 5

**TABLE 13B - STANDARD PRECAST BOX CULVERT DESIGNS (3" COVER) - 9' SPANS**

SPAN x RISE (S) (R) (Ft.)	SLAB / WALL THICKNESS				DESIGN EARTH COVER ABOVE TOP SLAB	REINFORCEMENT AREAS (sq. in./Ft.)								As1 EXT. LENGTH (M) (in.)
	TOP (Tt) (in.)	BOT. (Tb) (in.)	SIDE (Tw) (in.)	HAUNCH (H) (in.)		As1	As2	As3	As4	As5	As7	As8	As9	
9' x 5'	10	10	10	4	0.33' - <2'	0.49	0.65	0.57	0.24	0.24	0.40	0.48	-	
				to	2' - <3'	0.49	0.65	0.57	0.12	-	-	-	54	
					3' - <5'	0.46	0.54	0.53	0.12	-	-	-	49	
					5' - 10'	0.52	0.50	0.51	0.12	-	-	-	49	
					15'	0.75	0.74	0.75	0.12	-	-	-	44	
		10	10.5	10	8 to	20'	0.98	1.01	1.00	0.12	-	-	-	44
		11	11.5	10	12	25'	1.21	1.27	1.19	0.12	-	-	-	44
						30'	1.30	1.36	1.30	0.12	-	-	-	44
	9' x 6'	10	10	10	4	0.33' - <2'	0.48	0.68	0.60	0.24	0.24	0.39	0.48	-
					to	2' - <3'	0.48	0.68	0.60	0.12	-	-	-	54
						3' - <5'	0.45	0.57	0.56	0.12	-	-	-	49
						5' - 10'	0.52	0.53	0.56	0.12	-	-	-	49
					15'	0.74	0.79	0.81	0.12	-	-	-	44	
		10	10.5	10	8 to	20'	0.97	1.07	1.07	0.12	-	-	-	44
		11	11.5	10	12	25'	1.18	1.35	1.28	0.12	-	-	-	44
						30'	1.27	1.44	1.38	0.12	-	-	-	44
9' x 7'		10	10	10	4	0.33' - <2'	0.49	0.70	0.63	0.24	0.24	0.39	0.49	-
					to	2' - <3'	0.49	0.70	0.63	0.12	-	-	-	59
						3' - <5'	0.46	0.59	0.59	0.12	-	-	-	54
						5' - 10'	0.54	0.57	0.60	0.12	-	-	-	49
					15'	0.75	0.84	0.86	0.12	-	-	-	44	
		10	10.5	10	8 to	20'	0.98	1.13	1.14	0.12	-	-	-	44
		11	11.5	10	12	25'	1.18	1.43	1.36	0.12	-	-	-	44
						30'	1.28	1.52	1.46	0.12	-	-	-	44
	9' x 8'	10	10	10	4	0.33' - <2'	0.51	0.72	0.65	0.24	0.24	0.39	0.51	-
					to	2' - <3'	0.51	0.72	0.65	0.12	-	-	-	59
						3' - <5'	0.49	0.61	0.62	0.12	-	-	-	59
						5' - 10'	0.57	0.60	0.65	0.12	-	-	-	54
					15'	0.79	0.89	0.92	0.12	-	-	-	44	
		10	10.5	10	8 to	20'	1.02	1.20	1.22	0.12	-	-	-	44
		11	11.5	10	12	25'	1.21	1.50	1.44	0.12	-	-	-	44
						30'	1.33	1.59	1.54	0.12	-	-	-	44
9' x 9'		10	10	10	4	0.33' - <2'	0.54	0.74	0.68	0.24	0.24	0.41	0.54	-
					to	2' - <3'	0.54	0.74	0.68	0.15	-	-	-	72
						3' - <5'	0.53	0.63	0.64	0.13	-	-	-	72
						5' - 10'	0.62	0.64	0.70	0.12	-	-	-	59
					15'	0.85	0.94	0.99	0.12	-	-	-	49	
		10	10.5	10	8 to	20'	1.09	1.26	1.29	0.12	-	-	-	49
		11	11.5	10	12	25'	1.28	1.56	1.52	0.12	-	-	-	44
						30'	1.42	1.66	1.66	0.12	-	-	-	44

See General Note 5

- NOTES:  
 1. See Sheet 2 for General Notes.  
 2. See Sheet 7 for Reinforcing Details and dimension locations.  
 3. See Sheet 14 for WWR Bending Diagrams.

C:\projects\standards\structures\current\yeady\4release\2014\BOK\00292-13of14.dgn  
sm970re  
3:22:41 PM  
6/24/2013

**TABLE 14 - STANDARD PRECAST BOX CULVERT DESIGNS (3" COVER) - 10' SPANS**

SPAN x RISE (S) (R) (Ft.)	SLAB / WALL THICKNESS				DESIGN EARTH COVER ABOVE TOP SLAB	REINFORCEMENT AREAS (sq. in./Ft.)								As1 EXT. LENGTH (M) (in.)				
	TOP (Tt) (in.)	BOT. (Tb) (in.)	SIDE (Tw) (in.)	HAUNCH (H) (in.)		As1	As2	As3	As4	As5	As7	As8	As9					
10' x 5'	10	10	10	4	0.33' - <2'	0.60	0.73	0.61	0.24	0.24	0.50	0.57	-					
				to	2' - <3'	0.60	0.73	0.61	0.12	-	-	-	58					
				to	3' - <5'	0.57	0.64	0.58	0.12	-	-	-	53					
				12	5' - 10'	0.65	0.60	0.60	0.12	-	-	-	52					
				8	15'	0.94	0.90	0.89	0.12	-	-	-	47					
				to	20'	1.24	1.23	1.19	0.12	-	-	-	47					
	10	10	10	10	8	25'	1.39	1.37	1.28	0.12	-	-	-	47				
					12	30'	1.38	1.43	1.41	0.12	-	-	-	47				
					10' x 6'	10	10	10	4	0.33' - <2'	0.58	0.75	0.64	0.24	0.24	0.48	0.56	-
									to	2' - <3'	0.58	0.75	0.64	0.12	-	-	-	58
									to	3' - <5'	0.56	0.67	0.62	0.12	-	-	-	52
									12	5' - 10'	0.64	0.64	0.65	0.12	-	-	-	52
8	15'	0.92	0.96	0.95					0.12	-	-	-	47					
to	20'	1.21	1.31	1.27					0.12	-	-	-	47					
10	10	10	10	8		25'	1.35	1.44	1.36	0.12	-	-	-	47				
				12		30'	1.35	1.51	1.49	0.12	-	-	-	47				
				10' x 7'		10	10	10	4	0.33' - <2'	0.57	0.78	0.67	0.24	0.24	0.48	0.57	-
									to	2' - <3'	0.57	0.78	0.67	0.12	-	-	-	58
									to	3' - <5'	0.58	0.70	0.65	0.12	-	-	-	58
									12	5' - 10'	0.65	0.68	0.70	0.12	-	-	-	52
8	15'	0.92	1.02		1.02				0.12	-	-	-	47					
to	20'	1.21	1.38		1.35				0.12	-	-	-	47					
10	10	10	10		8	25'	1.33	1.52	1.44	0.12	-	-	-	47				
					12	30'	1.38	1.58	1.57	0.12	-	-	-	47				
					10' x 8'	10	10	10	4	0.33' - <2'	0.58	0.80	0.70	0.24	0.26	0.48	0.58	-
									to	2' - <3'	0.58	0.80	0.70	0.12	-	-	-	64
									to	3' - <5'	0.60	0.72	0.68	0.12	-	-	-	58
									12	5' - 10'	0.67	0.72	0.75	0.12	-	-	-	52
8	15'	0.95	1.08	1.08					0.12	-	-	-	47					
to	20'	1.24	1.45	1.44					0.12	-	-	-	47					
10	10	10	10	8		25'	1.36	1.59	1.52	0.12	-	-	-	47				
				12		30'	1.45	1.64	1.64	0.12	-	-	-	47				
				10' x 9'		10	10	10	4	0.33' - <2'	0.61	0.82	0.73	0.24	0.26	0.50	0.61	-
									to	2' - <3'	0.61	0.82	0.73	0.14	-	-	-	70
									to	3' - <5'	0.64	0.75	0.73	0.13	-	-	-	64
									12	5' - 10'	0.72	0.77	0.80	0.12	-	-	-	58
8	15'	1.00	1.13		1.15				0.12	-	-	-	52					
to	20'	1.30	1.53		1.52				0.12	-	-	-	47					
10	10	10	10		8	25'	1.42	1.66	1.60	0.12	-	-	-	47				
					12	30'	1.57	1.70	1.72	0.12	-	-	-	47				
					10' x 10'	10	10	10	4	0.33' - <2'	0.66	0.84	0.75	0.24	0.27	0.52	0.65	-
									to	2' - <3'	0.66	0.84	0.75	0.20	-	-	-	79
									to	3' - <5'	0.70	0.77	0.79	0.19	-	-	-	70
									12	5' - 10'	0.79	0.81	0.87	0.18	-	-	-	64
8	15'	1.09	1.19	1.23					0.15	-	-	-	52					
to	20'	1.40	1.61	1.61					0.14	-	-	-	52					
10	10	10	10	8		25'	1.53	1.74	1.68	0.14	-	-	-	47				
				12		30'	1.60	1.71	1.74	0.14	-	-	-	47				

See General Note 5

**TABLE 15 - STANDARD PRECAST BOX CULVERT DESIGNS (3" COVER) - 11' SPANS**

SPAN x RISE (S) (R) (Ft.)	SLAB / WALL THICKNESS				DESIGN EARTH COVER ABOVE TOP SLAB	REINFORCEMENT AREAS (sq. in./Ft.)								As1 EXT. LENGTH (M) (in.)				
	TOP (Tt) (in.)	BOT. (Tb) (in.)	SIDE (Tw) (in.)	HAUNCH (H) (in.)		As1	As2	As3	As4	As5	As7	As8	As9					
11' x 4'	11	11	11	4	0.33' - <2'	0.60	0.66	0.54	0.27	0.27	0.52	0.56	-					
				to	2' - <3'	0.60	0.66	0.54	0.14	-	-	-	62					
				to	3' - <5'	0.60	0.61	0.53	0.14	-	-	-	62					
				12	5' - 10'	0.79	0.63	0.62	0.14	-	-	-	55					
				8	15'	1.01	0.82	0.79	0.14	-	-	-	55					
				to	20'	1.34	1.11	1.06	0.14	-	-	-	55					
	11	11	11	11	8	25'	1.52	1.27	1.23	0.14	-	-	-	55				
					12	30'	1.54	1.37	1.34	0.14	-	-	-	50				
					11' x 6'	11	11	11	4	0.33' - <2'	0.57	0.71	0.60	0.27	0.27	0.47	0.53	-
									to	2' - <3'	0.56	0.71	0.60	0.14	-	-	-	62
									to	3' - <5'	0.56	0.67	0.59	0.14	-	-	-	55
									12	5' - 10'	0.73	0.71	0.72	0.14	-	-	-	55
8	15'	0.92	0.92	0.91					0.14	-	-	-	50					
to	20'	1.21	1.25	1.21					0.14	-	-	-	50					
11	11	11	11	8		25'	1.37	1.43	1.39	0.14	-	-	-	50				
				12		30'	1.39	1.53	1.50	0.14	-	-	-	50				
				11' x 8'		11	11	11	4	0.33' - <2'	0.55	0.76	0.66	0.27	0.27	0.46	0.55	-
									to	2' - <3'	0.55	0.76	0.66	0.14	-	-	-	62
									to	3' - <5'	0.54	0.72	0.65	0.14	-	-	-	62
									12	5' - 10'	0.73	0.79	0.82	0.14	-	-	-	55
8	15'	0.93	1.03		1.03				0.14	-	-	-	50					
to	20'	1.21	1.39		1.36				0.14	-	-	-	50					
11	11	11	11		8	25'	1.34	1.56	1.50	0.14	-	-	-	50				
					12	30'	1.41	1.66	1.65	0.14	-	-	-	50				
					11' x 10'	11	11	11	4	0.33' - <2'	0.60	0.81	0.71	0.27	0.27	0.48	0.60	-
									to	2' - <3'	0.60	0.81	0.71	0.15	-	-	-	75
									to	3' - <5'	0.61	0.77	0.70	0.14	-	-	-	69
									12	5' - 10'	0.80	0.88	0.93	0.14	-	-	-	62
8	15'	1.01	1.13	1.15					0.14	-	-	-	55					
to	20'	1.30	1.52	1.52					0.14	-	-	-	50					
11	11	11	11	8		25'	1.42	1.70	1.65	0.14	-	-	-	50				
				12		30'	1.53	1.77	1.74	0.14	-	-	-	50				
				11' x 11'		11	11	11	4	0.33' - <2'	0.64	0.83	0.74	0.27	0.27	0.51	0.64	-
									to	2' - <3'	0.64	0.83	0.74	0.21	-	-	-	86
									to	3' - <5'	0.67	0.79	0.75	0.21	-	-	-	75
									12	5' - 10'	0.88	0.93	0.99	0.19	-	-	-	69
8	15'	1.09	1.19		1.23				0.16	-	-	-	55					
to	20'	1.40	1.59		1.60				0.15	-	-	-	55					
11	11	11	11		8	25'	1.54	1.77	1.73	0.15	-	-	-	50				
					12	30'	1.57	1.77	1.76	0.14	-	-	-	50				

See General Note 5

**NOTES:**

1. See Sheet 2 for General Notes.
2. See Sheet 7 for Reinforcing Details and dimension locations.
3. See Sheet 14 for WWR Bending Diagrams.



C:\projects\standards\structures\current\ready\4release\2014BOOK\00292-14of14.dgn 3:22:43 PM 6/24/2013

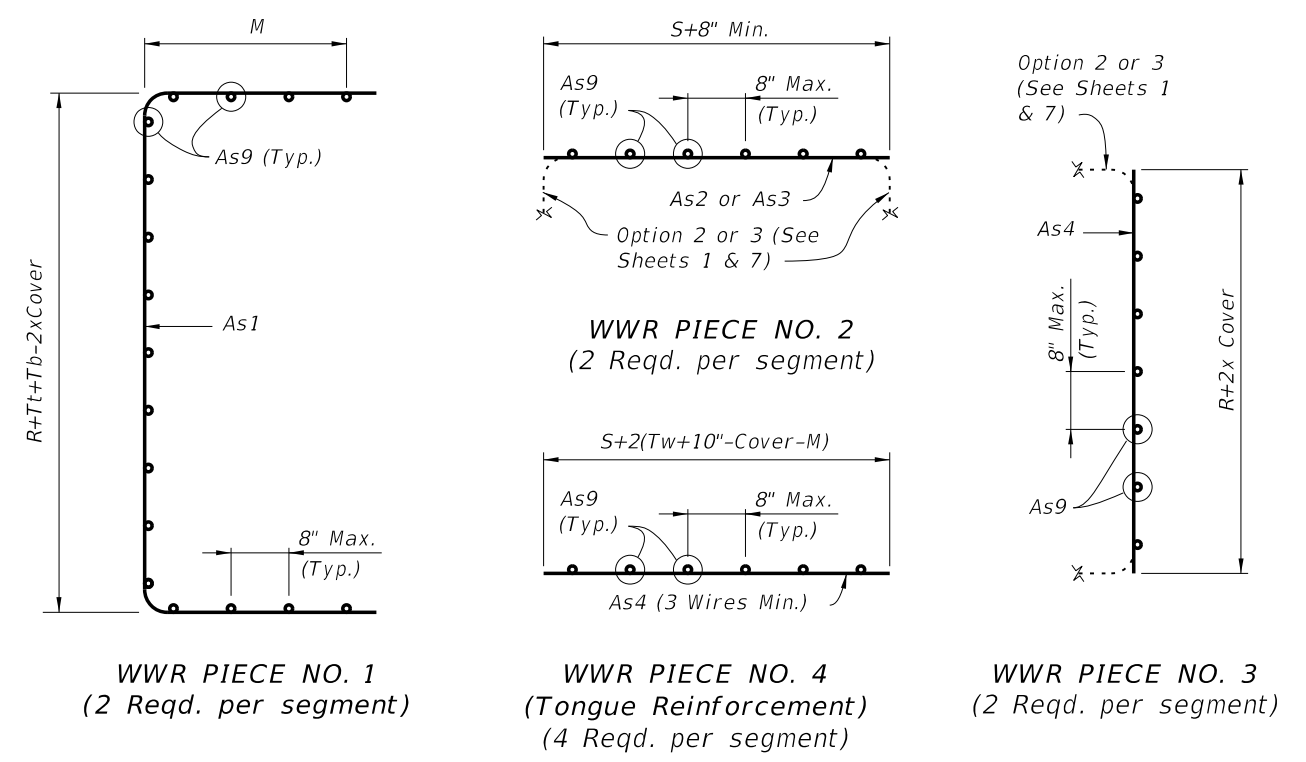
**TABLE 16 - STANDARD PRECAST BOX CULVERT DESIGNS (3" COVER) - 12' SPANS**

SPAN x RISE (S) (R) (Ft.)	SLAB / WALL THICKNESS				DESIGN EARTH COVER ABOVE TOP SLAB	REINFORCEMENT AREAS (sq. in./Ft.)								As1 EXT. LENGTH (M) (in.)
	TOP (Tt) (in.)	BOT. (Tb) (in.)	SIDE (Tw) (in.)	HAUNCH (H) (in.)		As1	As2	As3	As4	As5	As7	As8	As9	
12' x 4'	12	12	12	4	0.33' - <2'	0.59	0.64	0.51	0.29	0.29	0.52	0.55	-	
				to	2' - <3'	0.60	0.64	0.51	0.15	-	-	-	73	
					3' - <5'	0.60	0.61	0.51	0.15	-	-	-	66	
					5' - 10'	0.81	0.61	0.61	0.15	-	-	-	66	
				12	15'	1.04	0.80	0.77	0.15	-	-	-	59	
					20'	1.37	1.08	1.03	0.15	-	-	-	59	
12' x 6'	12	12	12	4	0.33' - <2'	0.56	0.70	0.57	0.29	0.29	0.47	0.52	-	
				to	2' - <3'	0.56	0.70	0.57	0.15	-	-	-	66	
					3' - <5'	0.56	0.67	0.57	0.15	-	-	-	59	
					5' - 10'	0.74	0.69	0.70	0.15	-	-	-	59	
				12	15'	0.94	0.90	0.88	0.15	-	-	-	53	
					20'	1.23	1.22	1.17	0.15	-	-	-	53	
12' x 8'	12	12	12	4	0.33' - <2'	0.55	0.75	0.63	0.29	0.29	0.45	0.53	-	
				to	2' - <3'	0.55	0.75	0.63	0.15	-	-	-	66	
					3' - <5'	0.55	0.73	0.63	0.15	-	-	-	59	
					5' - 10'	0.73	0.77	0.79	0.15	-	-	-	59	
				12	15'	0.93	1.00	0.99	0.15	-	-	-	53	
					20'	1.21	1.35	1.31	0.15	-	-	-	53	
12' x 10'	12	12	12	4	0.33' - <2'	0.57	0.80	0.68	0.29	0.29	0.46	0.57	-	
				to	2' - <3'	0.57	0.80	0.68	0.15	-	-	-	73	
					3' - <5'	0.59	0.77	0.68	0.15	-	-	-	66	
					5' - 10'	0.78	0.85	0.89	0.15	-	-	-	59	
				12	15'	0.98	1.10	1.11	0.15	-	-	-	53	
					20'	1.26	1.47	1.45	0.15	-	-	-	53	
12' x 12'	12	12	12	4	0.33' - <2'	0.65	0.84	0.73	0.29	0.29	0.50	0.65	-	
				to	2' - <3'	0.65	0.84	0.73	0.23	-	-	-	93	
					3' - <5'	0.68	0.81	0.75	0.22	-	-	-	80	
					5' - 10'	0.90	0.94	1.01	0.21	-	-	-	73	
				12	15'	1.12	1.20	1.24	0.18	-	-	-	59	
					20'	1.42	1.60	1.61	0.16	-	-	-	59	
	13	13.5	12	to	25'	1.57	1.81	1.78	0.16	-	-	53		
	14.5	15	12	12	30'	1.63	1.86	1.85	0.15	-	-	53		

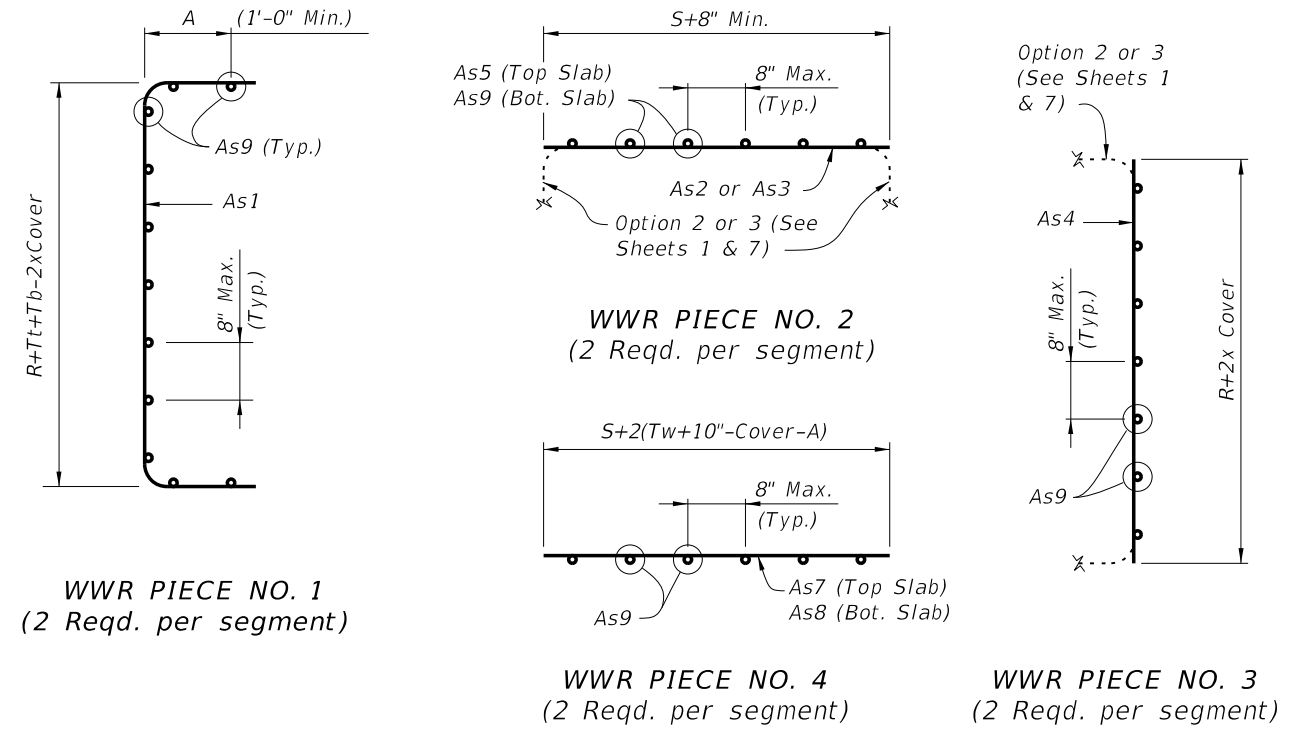
See General Note 5

- NOTES:  
 1. See Sheet 2 of 14 for General Notes.  
 2. See Sheet 7 of 14 for Reinforcing Details and dimension locations.

**WELDED WIRE REINFORCEMENT BENDING DIAGRAM**



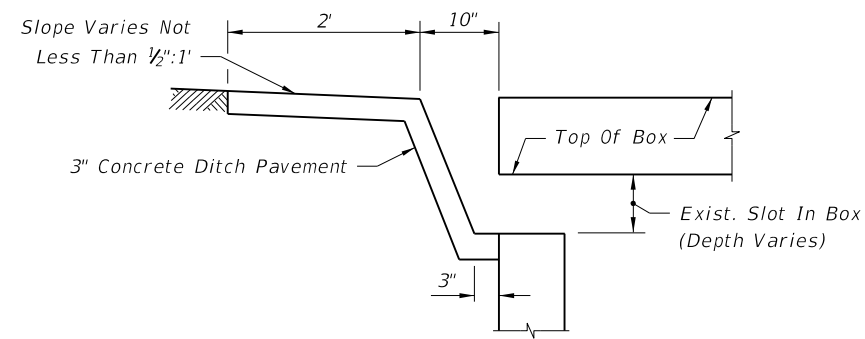
**TYPE 2 BOX SECTION (DESIGN EARTH COVER 2' OR GREATER)**



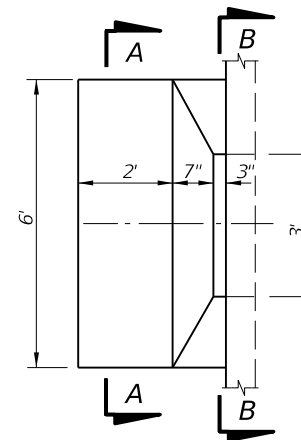
**TYPE 1 BOX SECTION (DESIGN EARTH COVER LESS THAN 2')**

- REINFORCEMENT NOTES:  
 1. Reinforcement bending dimensions are out-to-out.  
 2. See General Notes 4, 5 and 6 on Sheet 2.  
 3. See Tables 1 thru 16 for dimensions M, R, S, Tb, Tt and Tw.  
 4. Dimension "A" is determined by the Manufacturer in accordance with the requirements of Detail "B" on Sheets 1 and 7.

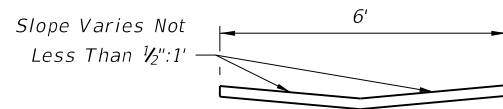
6/24/2013 3:22:45 PM sm970re C:\projects\standards\roadway\02200-s\02293-01.dgn



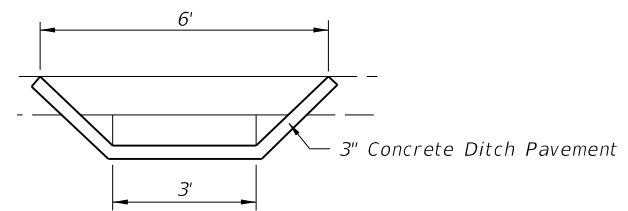
LONGITUDINAL SECTION



PLAN




SECTION AA

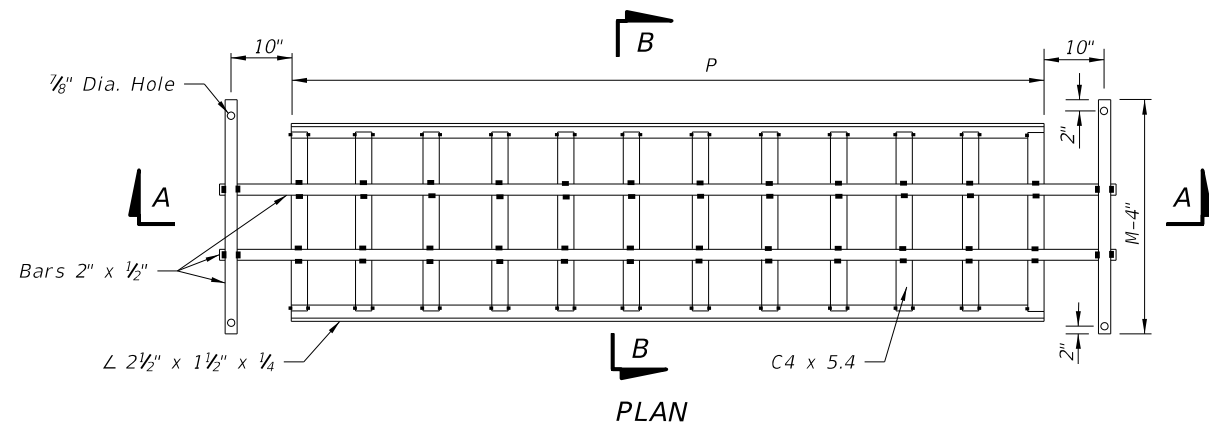


SECTION BB

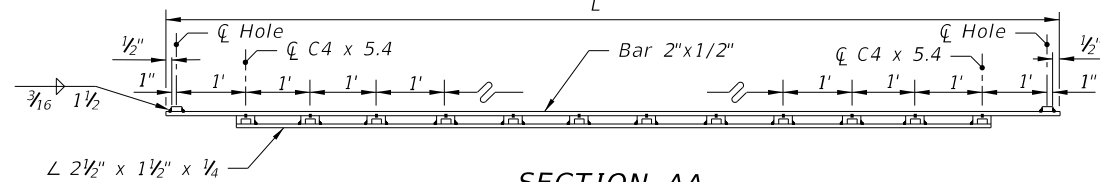
SAFETY MODIFICATION FOR INLETS IN BOX CULVERTS

LAST REVISION 07/01/07	REVISION	DESCRIPTION:	 <p>FDOT 2014 DESIGN STANDARDS</p>	<p>SAFETY MODIFICATIONS FOR INLETS IN BOX CULVERTS</p>	<p>INDEX NO. 293</p>	<p>SHEET NO. 1 of 1</p>
------------------------------	----------	--------------	---	--	------------------------------	---------------------------------

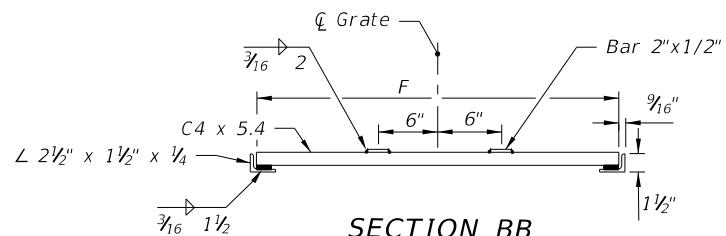
C:\projects\standards\roadway\02200-s-00295-01.dgn 3:22:47 PM 6/24/2013 smg70re



PLAN

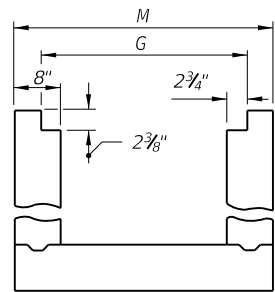


SECTION AA

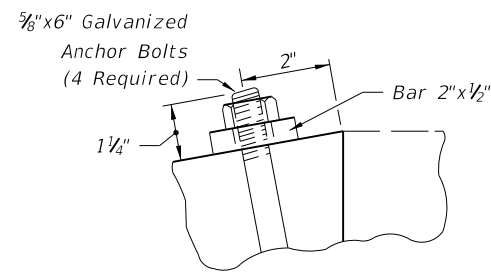


SECTION BB

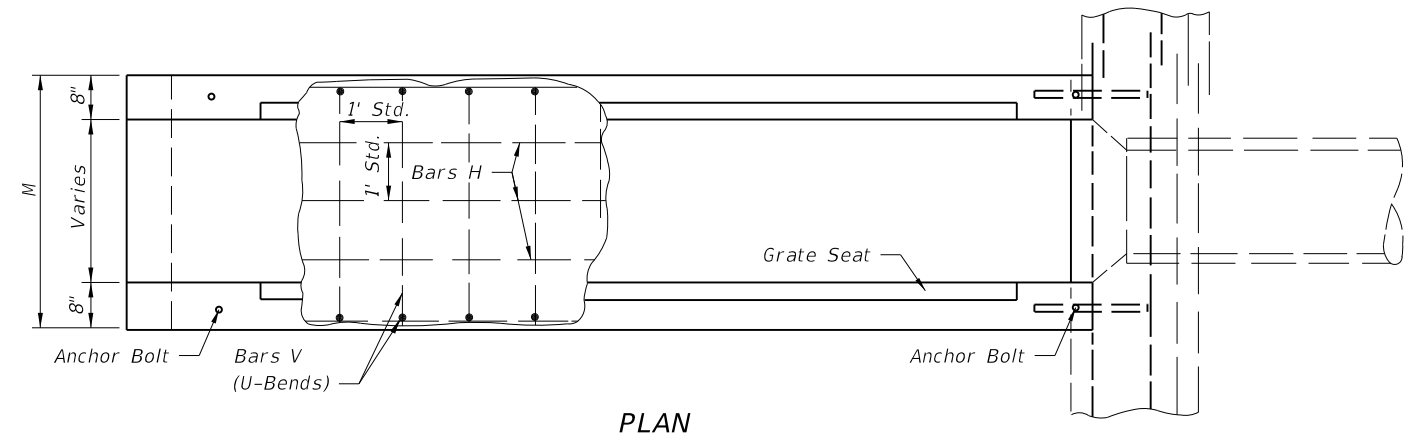
GRATE DETAIL



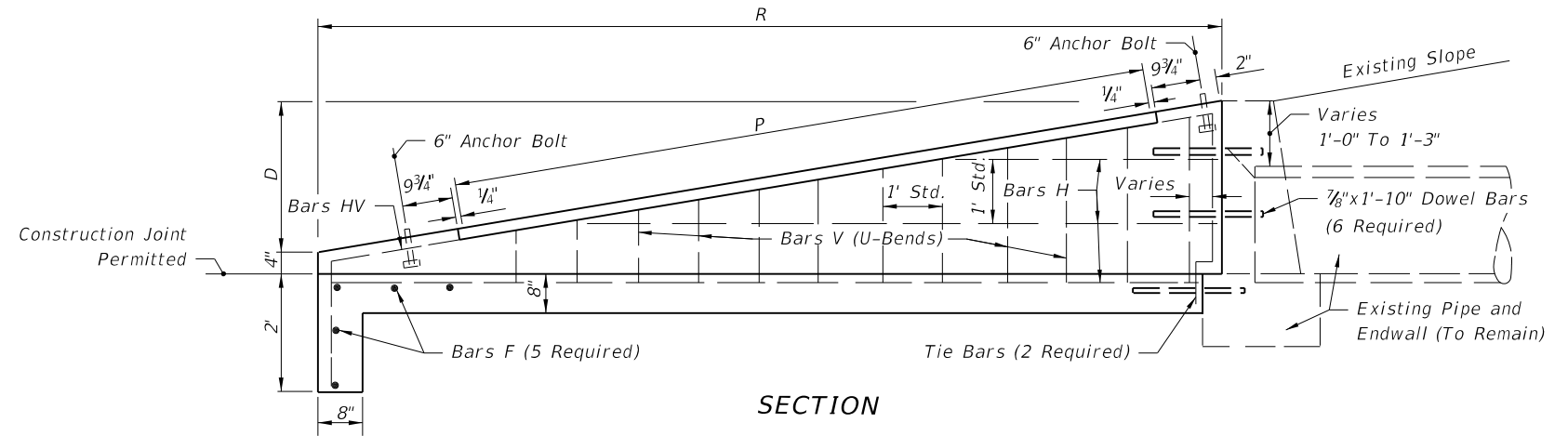
GRATE SEAT DETAIL



ANCHOR BOLT DETAIL



PLAN



SECTION

GENERAL NOTES

1. For use criteria see "Steel Grating Use Criteria" Index No. 261.
2. Grates shall be ASTM A242, A572 or A588, Grade 50 steel, and galvanized in accordance with Section 975 and 425-3.2 of the Standard Specifications.
3. Channel section C3 x 6.0 may be substituted for the C4 x 5.4 channel.
4. All reinforcing No. 4 bars with 2" clearance except as noted. Spacings shown are center to center. Laps to be 12" minimum. Welded wire fabric (two cages max.) having an equivalent cross section area (0.20 sq. in.) may be substituted for bar reinforcement.
5. Drill 1 1/4" holes 8" deep with a rotary drill in existing endwall for dowel bars. Holes shall be thoroughly cleaned prior to installing Adhesive-Bonded Dowels.
6. Endwall to be paid for under the contract unit price for Class I Concrete (Endwalls), CY and Reinforcing Steel (Roadway), LB. Cost of Adhesive-Bonded Dowels to be included in the contract unit price for reinforcing steel. Cost of grates to be paid for under the contract unit price for Endwall Grate, LB., plan quantity. Cost of galvanized bolts and nuts to be included in the contract unit price for the grate.
7. Sod slopes 5' each side and above endwall. Sodding to be paid for under the contract unit price for Performance Turf, SY.

DIMENSIONS AND QUANTITIES PER GRATE										
Slope	Pipe Size	Channels @ 5.4 Lbs./LF		Bars @ 3.4 lbs/LF (2 ea.)			Angles @ 3.2 Lbs./LF		(2)Total Weight-Lbs	
		Quantity	F	Lbs.	L	M-4"	Lbs.	P		Lbs.
1:6	15"	10	2'-6 7/8"	139	11'-3"	3'-3"	99	9'-4"	60	298
	18"	12	2'-9 7/8"	183	13'-3"	3'-6"	114	11'-4"	73	370
	24"	15	3'-3 7/8"	269	16'-3"	4'-0"	138	14'-4"	92	499
	30"	18	3'-9 7/8"	372	19'-3"	4'-6"	162	17'-4"	111	645
1:4	15"	6	2'-6 7/8"	83	7'-3"	3'-3"	71	5'-4"	34	188
	18"	7	2'-9 7/8"	107	8'-3"	3'-6"	80	6'-4"	41	228
	24"	9	3'-3 7/8"	161	10'-3"	4'-0"	97	8'-4"	53	311
	30"	11	3'-9 7/8"	227	12'-3"	4'-6"	114	10'-4"	66	407

DIMENSIONS AND QUANTITIES PER U-ENDWALL								
Pipe Size	G	M	D	R	P	Class I Concrete-CY	Reinforcing Steel-Lbs.	Sod SY
15"	2'-8 1/2"	3'-7"	2'-2"	13'-0"	9'-4"	2.12	167	23
18"	2'-11 1/2"	3'-10"	2'-5"	14'-6"	11'-4"	2.53	173	25
24"	3'-5 1/2"	4'-4"	2'-11"	17'-6"	14'-4"	3.48	238	29
30"	3'-11 1/2"	4'-10"	3'-5"	20'-6"	17'-4"	4.57	315	32
15"	2'-8 1/2"	3'-7"	2'-2"	8'-8"	5'-4"	1.44	120	19
18"	2'-11 1/2"	3'-10"	2'-5"	9'-8"	6'-4"	1.72	130	20
24"	3'-5 1/2"	4'-4"	2'-11"	11'-8"	8'-4"	2.36	167	22
30"	3'-11 1/2"	4'-10"	3'-5"	13'-8"	10'-4"	3.09	225	25

LAST REVISION  
07/01/07

REVISION DESCRIPTION:

STATE OF FLORIDA  
DEPARTMENT OF TRANSPORTATION  
FDOT 2014  
DESIGN STANDARDS

SAFETY MODIFICATIONS FOR ENDWALLS

INDEX NO.  
295  
SHEET NO.  
1 of 1