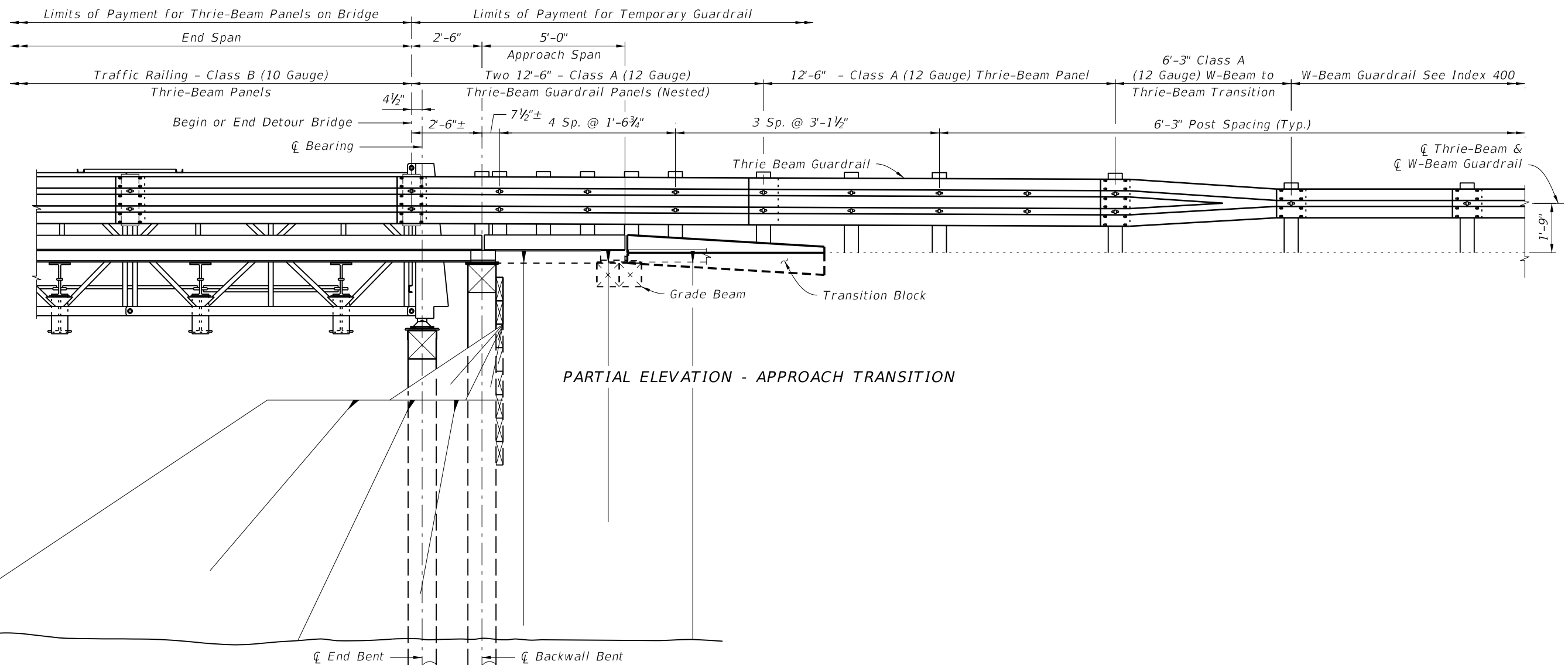



PARTIAL PLAN - APPROACH TRANSITION



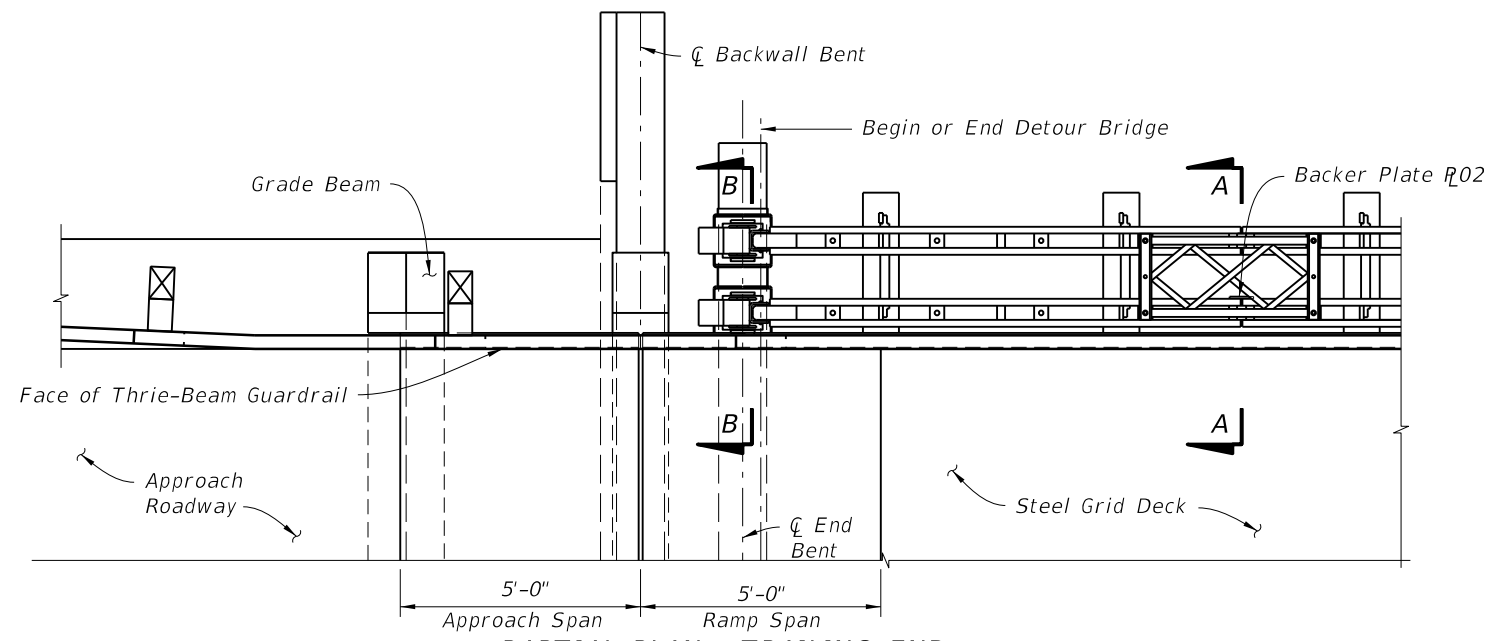
PARTIAL ELEVATION - APPROACH TRANSITION

THRIE-BEAM GUARDRAIL APPROACH TRANSITION

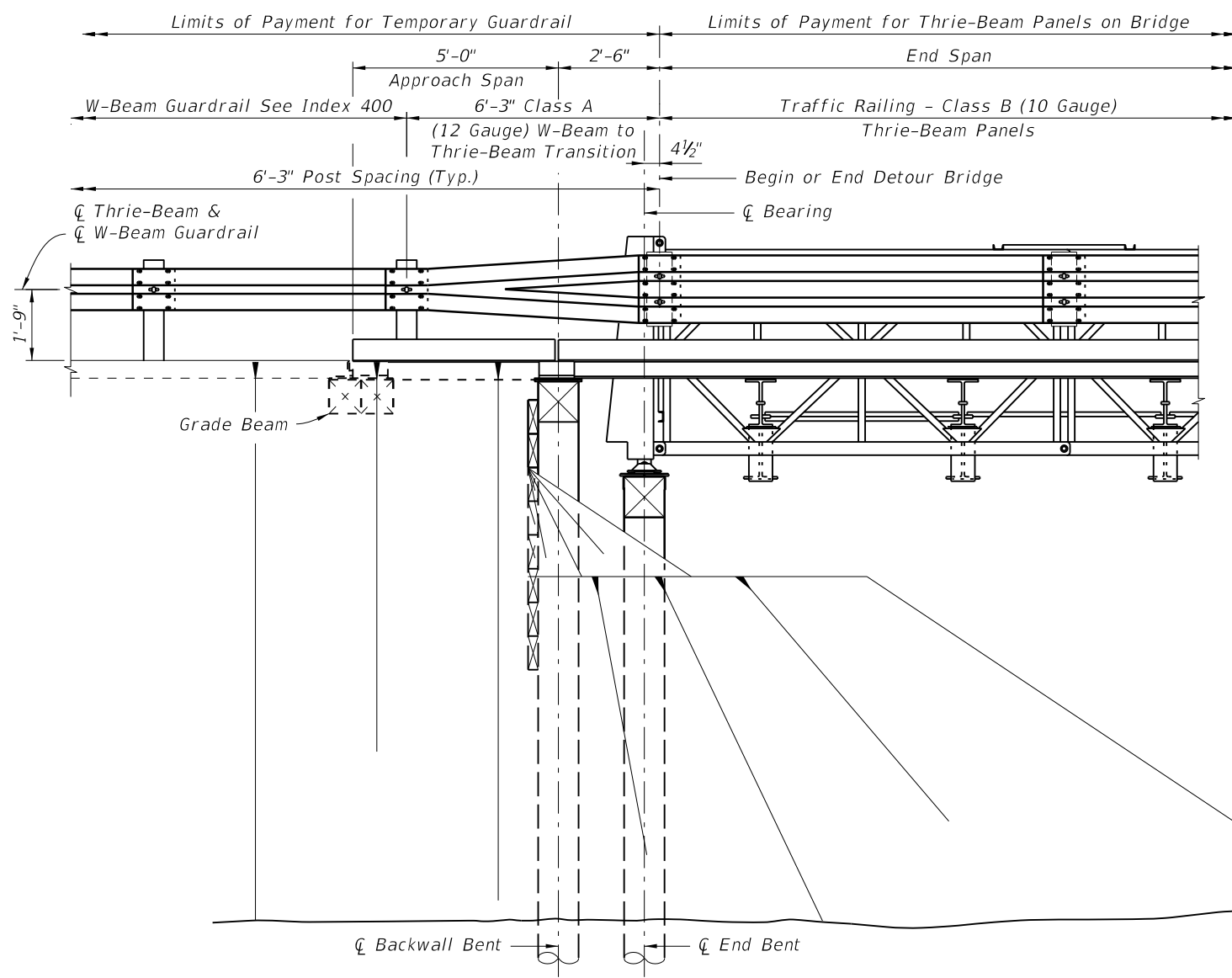
7/1/2013 9:27:20 AM RD960DM C:\projects\standards\structures\current\ready\4release\2014B00K\21640-1af6.dgn

LAST REVISION	REVISION	DESCRIPTION:	 FDOT 2014 DESIGN STANDARDS	TEMPORARY DETOUR BRIDGE THRIE-BEAM GUARDRAIL	INDEX NO. 21640	SHEET NO. 1 of 6
07/01/13						

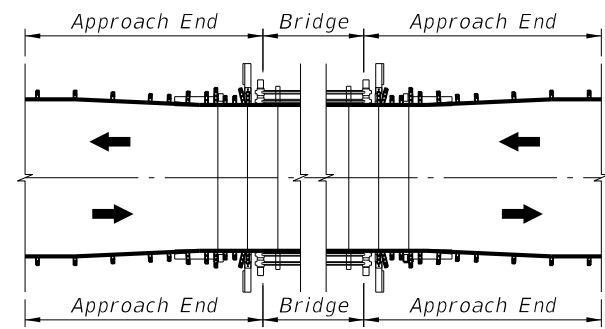
7/1/2013 9:27:22 AM RD960DM C:\projects\standards\structures\current\ready\4release\2014B00K\21640-2of6.dgn



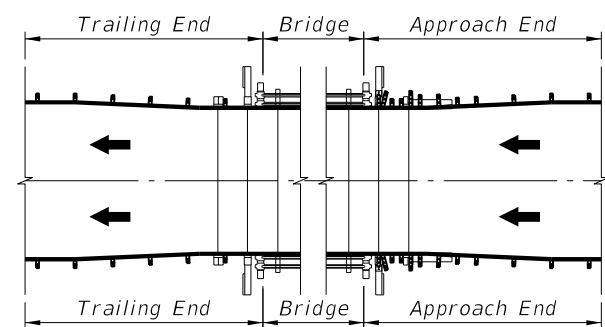
PARTIAL PLAN - TRAILING END



PARTIAL ELEVATION - TRAILING END




TWO-WAY TRAFFIC

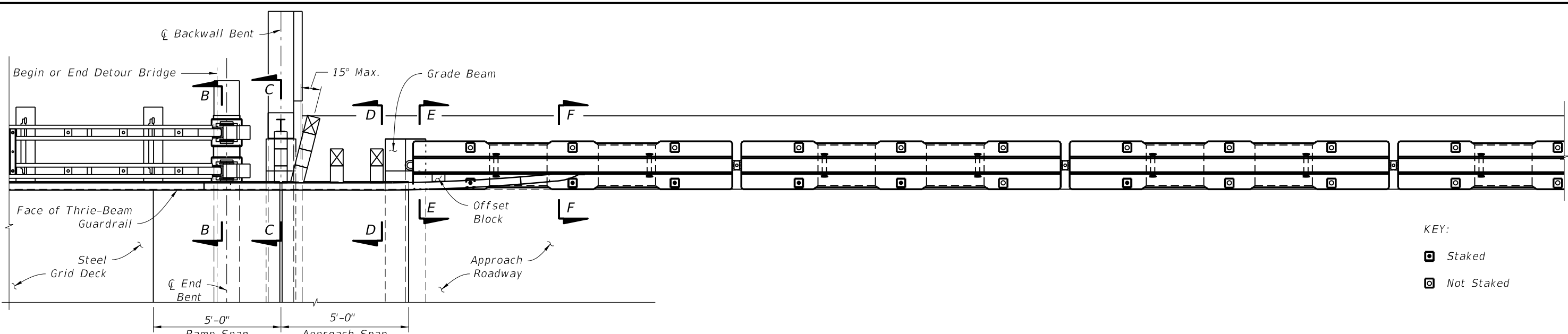


ONE-WAY TRAFFIC

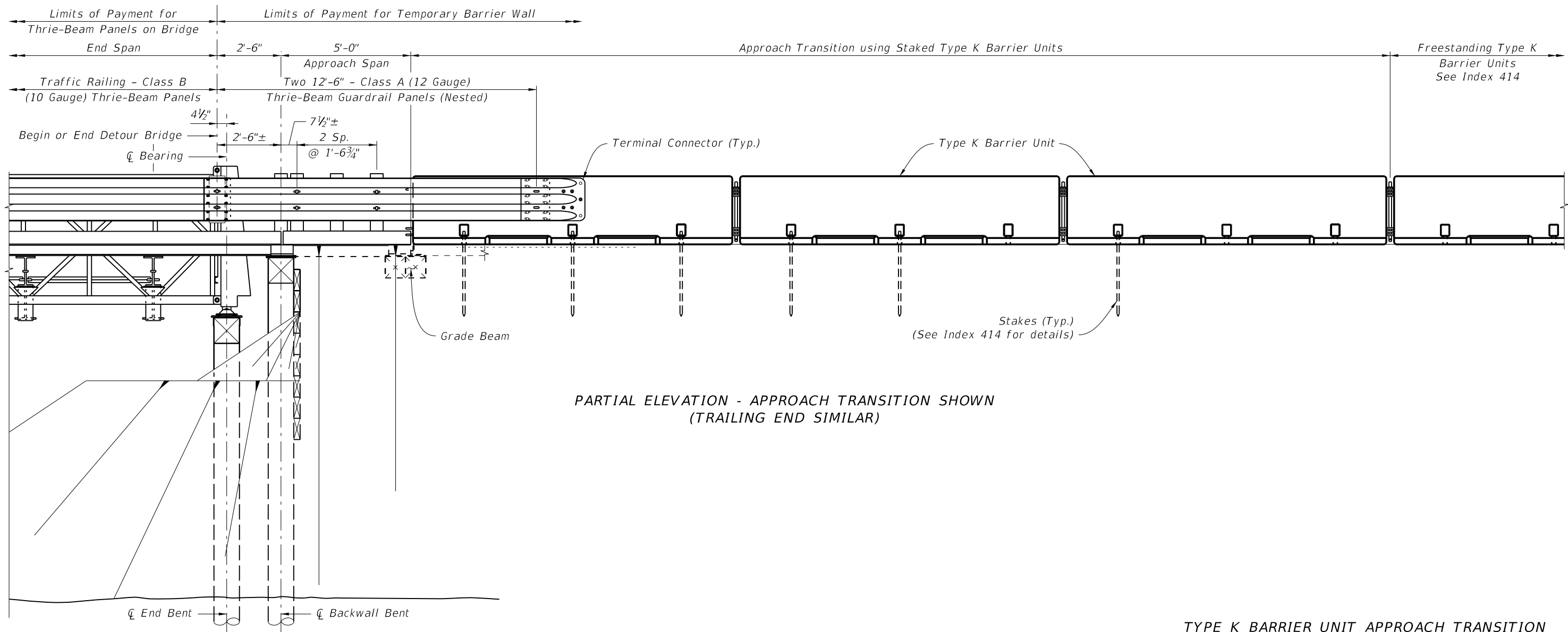
END TRANSITION APPLICATION DETAILS

THRIE-BEAM GUARDRAIL TRAILING END TRANSITION

LAST REVISION 07/01/13	REVISION	DESCRIPTION:	 FDOT 2014 DESIGN STANDARDS	TEMPORARY DETOUR BRIDGE THRIE-BEAM GUARDRAIL	INDEX NO. 21640	SHEET NO. 2 of 6
---------------------------	----------	--------------	--	---	--------------------	---------------------




PARTIAL PLAN - APPROACH TRANSITION SHOWN
(TRAILING END SIMILAR)



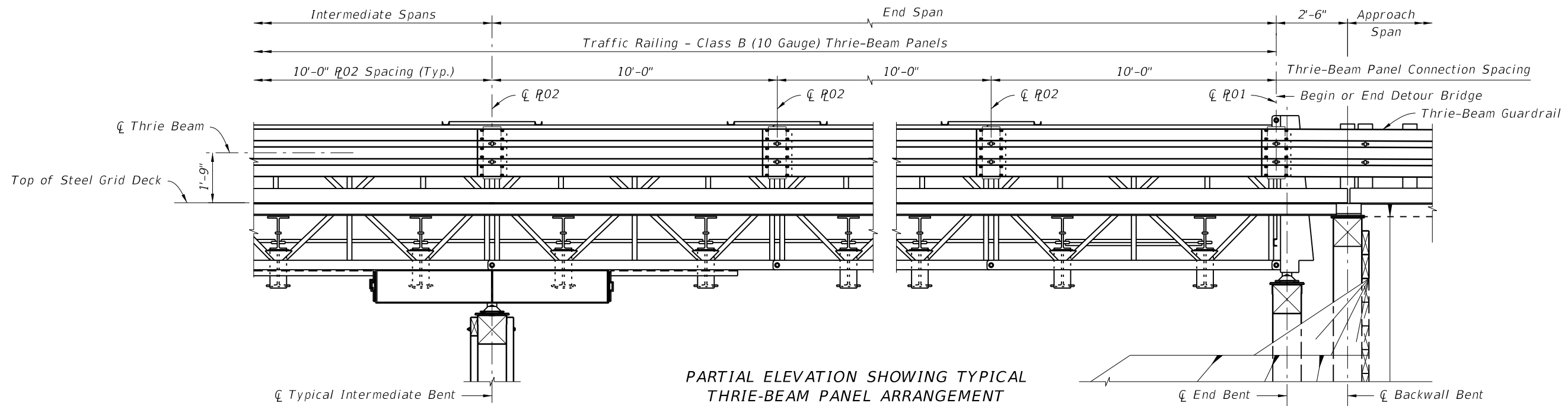
PARTIAL ELEVATION - APPROACH TRANSITION SHOWN
(TRAILING END SIMILAR)

TYPE K BARRIER UNIT APPROACH TRANSITION

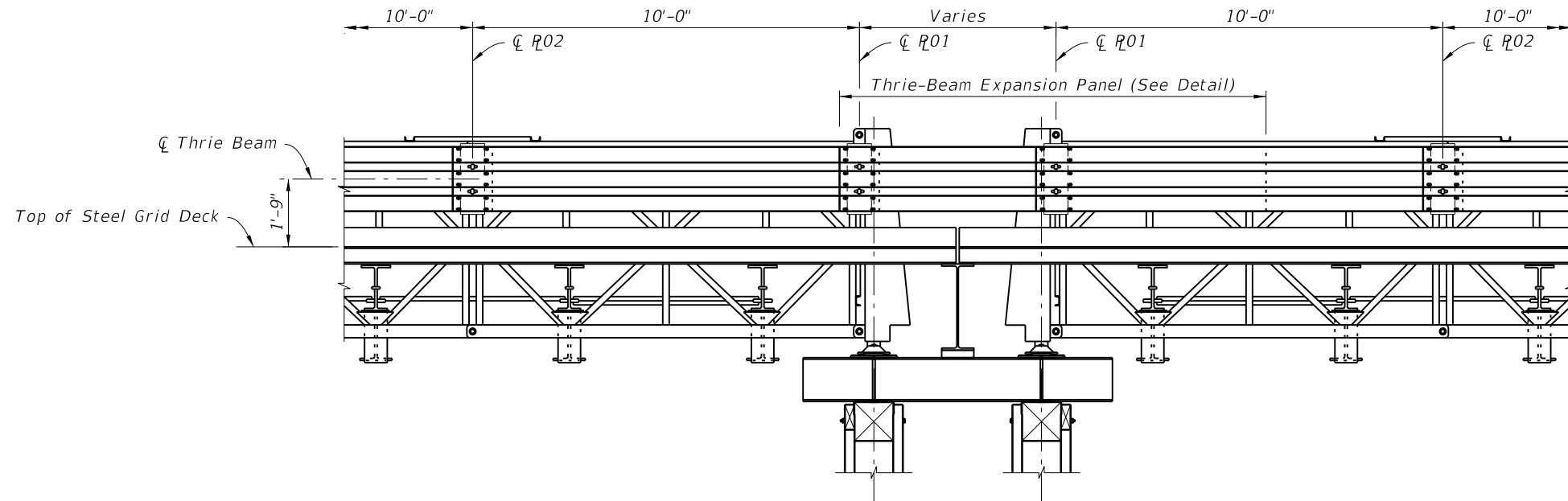
7/1/2013 9:27:24 AM RD960DM C:\projects\standards\structures\current\ready\4\release\2014B00K\21640-3of6.dgn

LAST REVISION	REVISION	DESCRIPTION:	 FDOT 2014 DESIGN STANDARDS	TEMPORARY DETOUR BRIDGE THRIE-BEAM GUARDRAIL	INDEX NO. 21640	SHEET NO. 3 of 6
07/01/13						

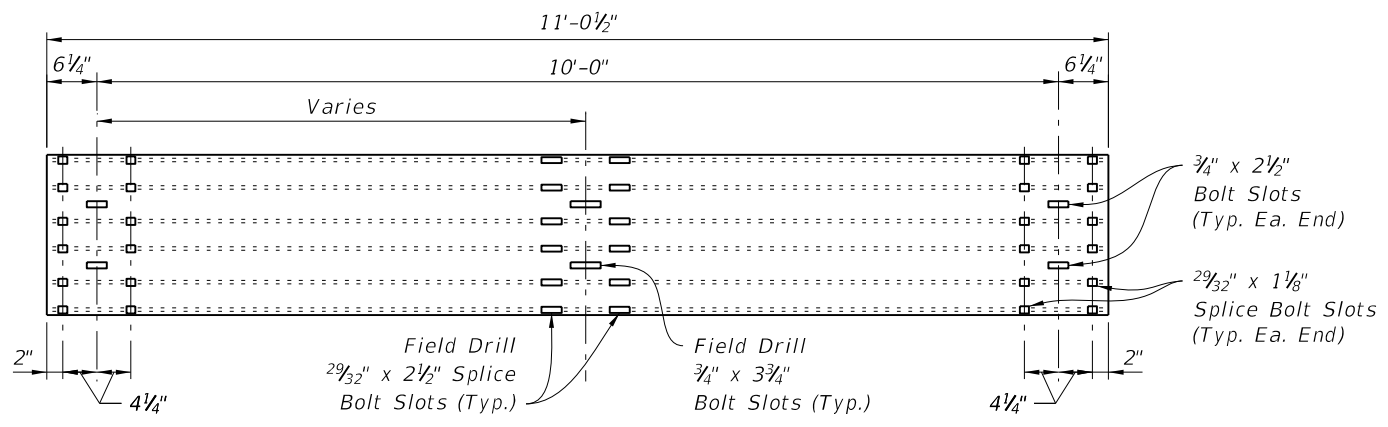
C:\projects\standards\structures\current\ready\4release\2014B00K\21640-4of6.dgn
 R0960DM
 9:27:26 AM
 7/1/2013




PARTIAL ELEVATION SHOWING TYPICAL THRIE-BEAM PANEL ARRANGEMENT

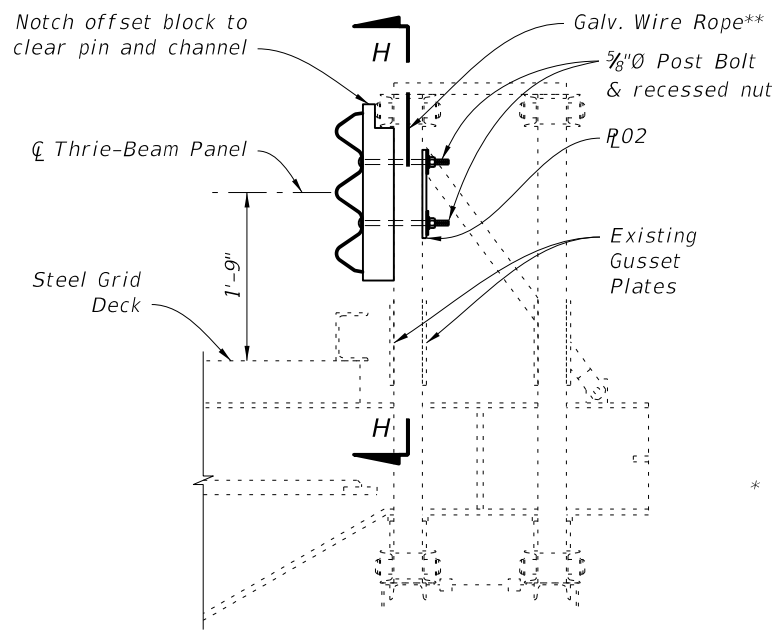


PARTIAL ELEVATION SHOWING THRIE-BEAM PANELS AT EXPANSION JOINT

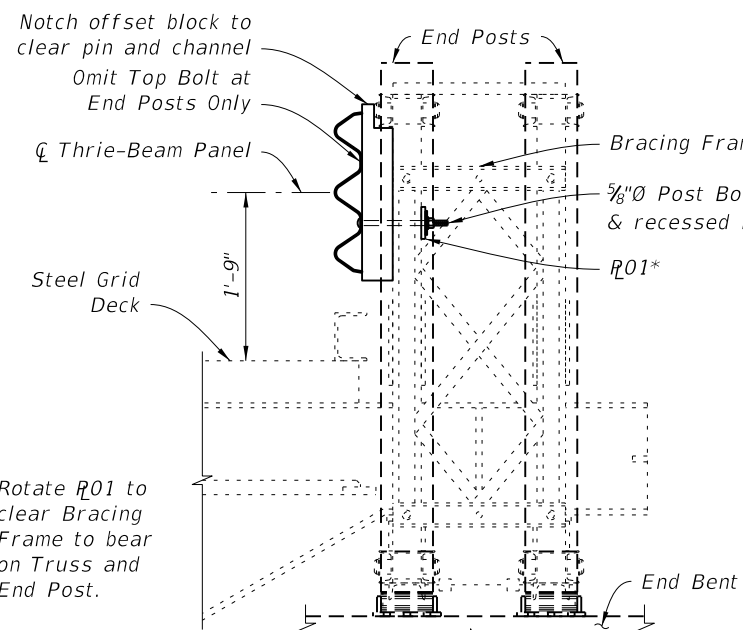


THRIE-BEAM EXPANSION PANEL DETAIL

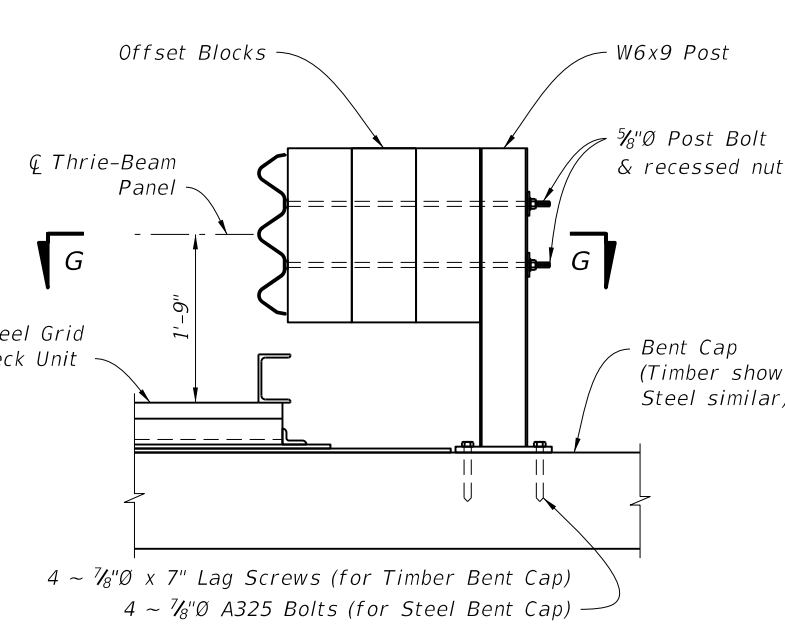
LAST REVISION 07/01/13	REVISION	DESCRIPTION:	 FDOT 2014 DESIGN STANDARDS	TEMPORARY DETOUR BRIDGE THRIE-BEAM GUARDRAIL	INDEX NO. 21640	SHEET NO. 4 of 6
---------------------------	----------	--------------	--	---	--------------------	---------------------



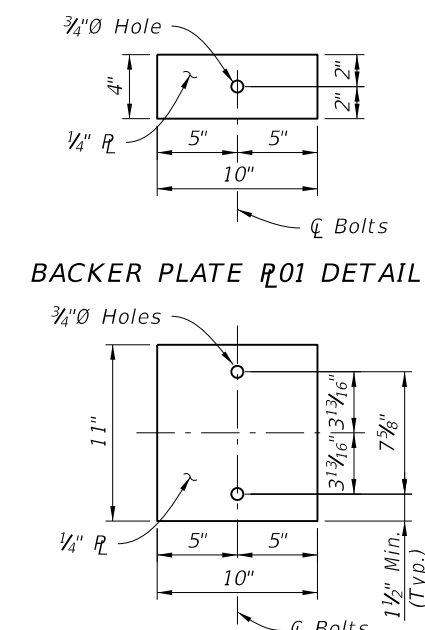
SECTION A-A



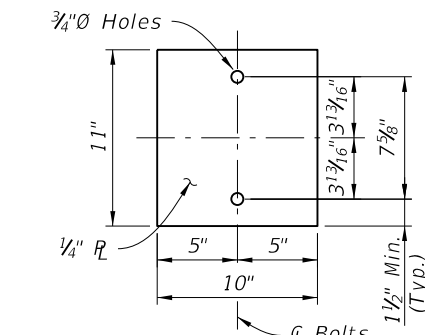
SECTION B-B



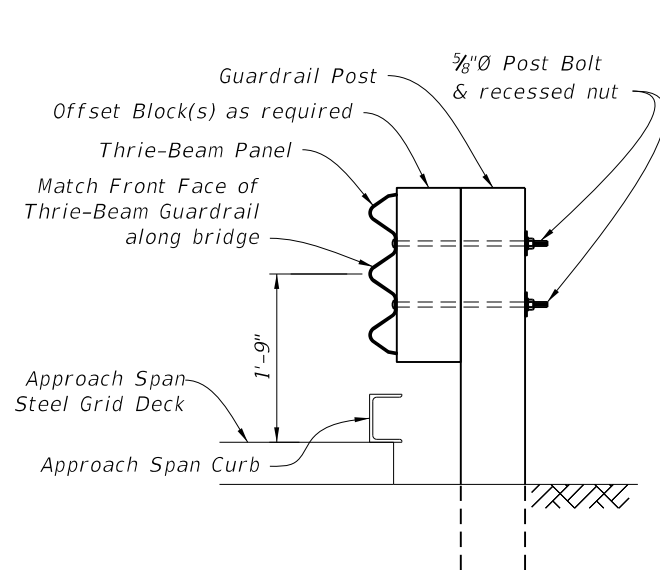
SECTION C-C



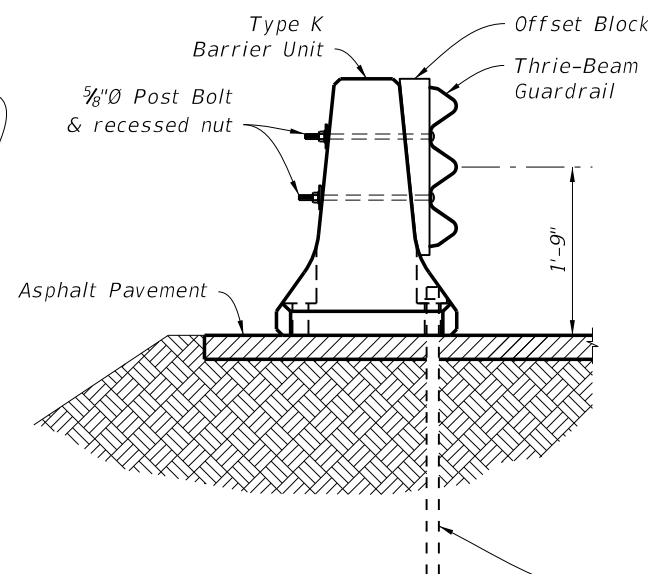
BACKER PLATE R01 DETAIL



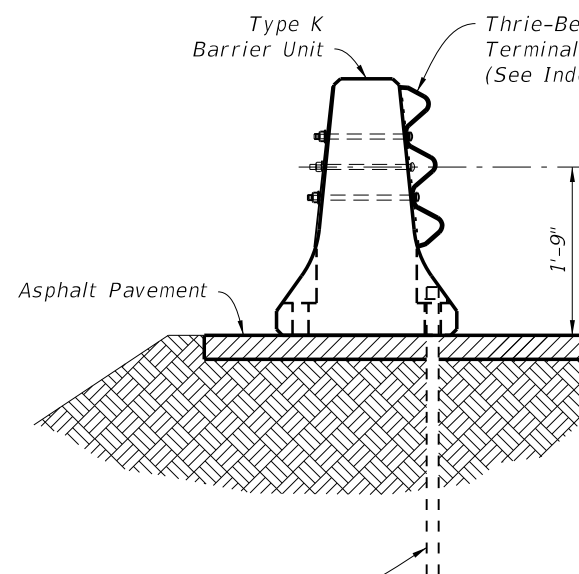
BACKER PLATE R02 DETAIL



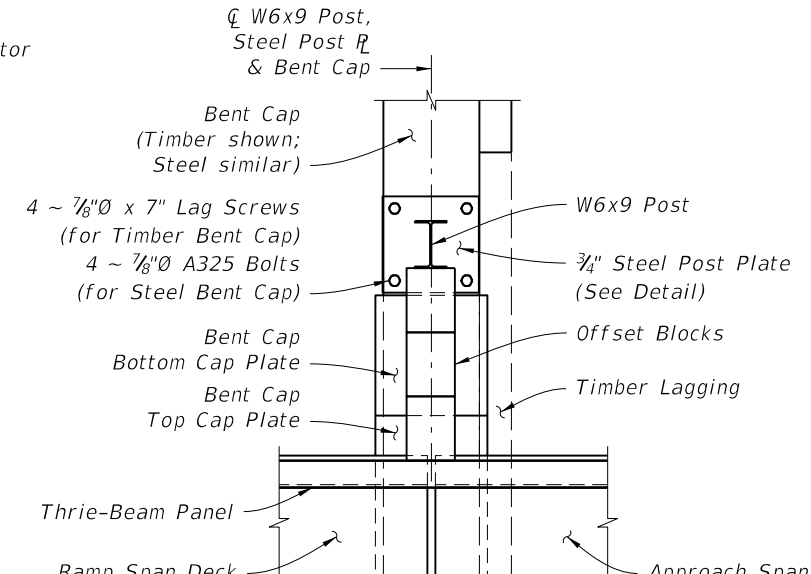
SECTION D-D



SECTION E-E

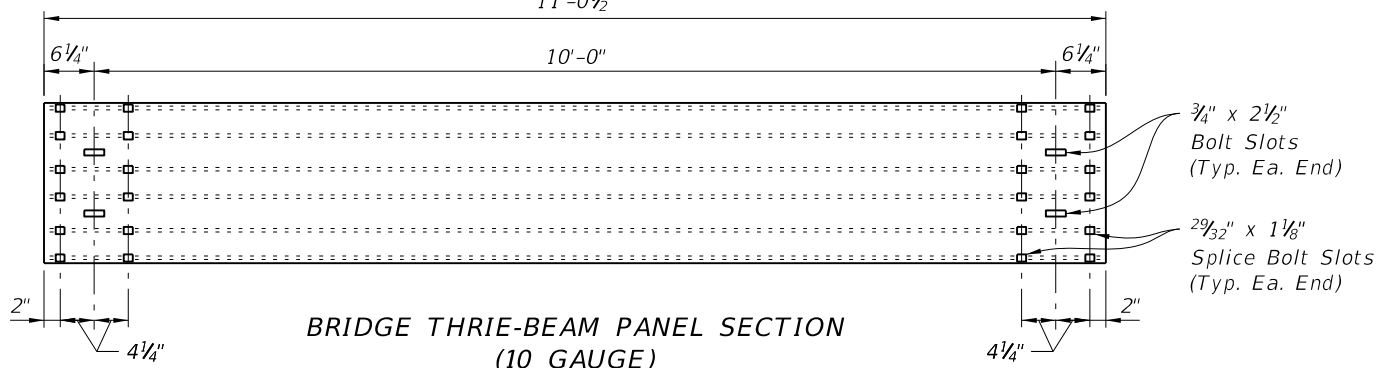


SECTION F-F

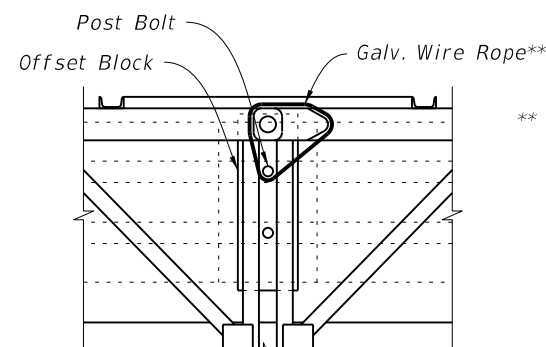


VIEW G-G

(Adjacent Post and Offset Blocks not shown for clarity)

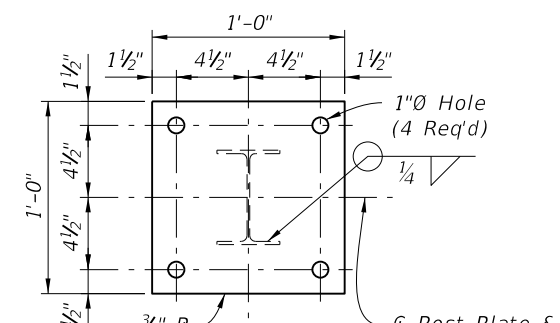


BRIDGE THRIE-BEAM PANEL SECTION (10 GAUGE)



SECTION H-H


** As directed by the Engineer in order to limit vibration induced vertical displacement of the Thrie-Beam Panels, provide Contractor supplied, one time use, commercially available 3/16"Ø (Min.) Galvanized Wire Rope w/ Ferrules (or other approved wire type) positioned and tensioned as required to secure the Panels.



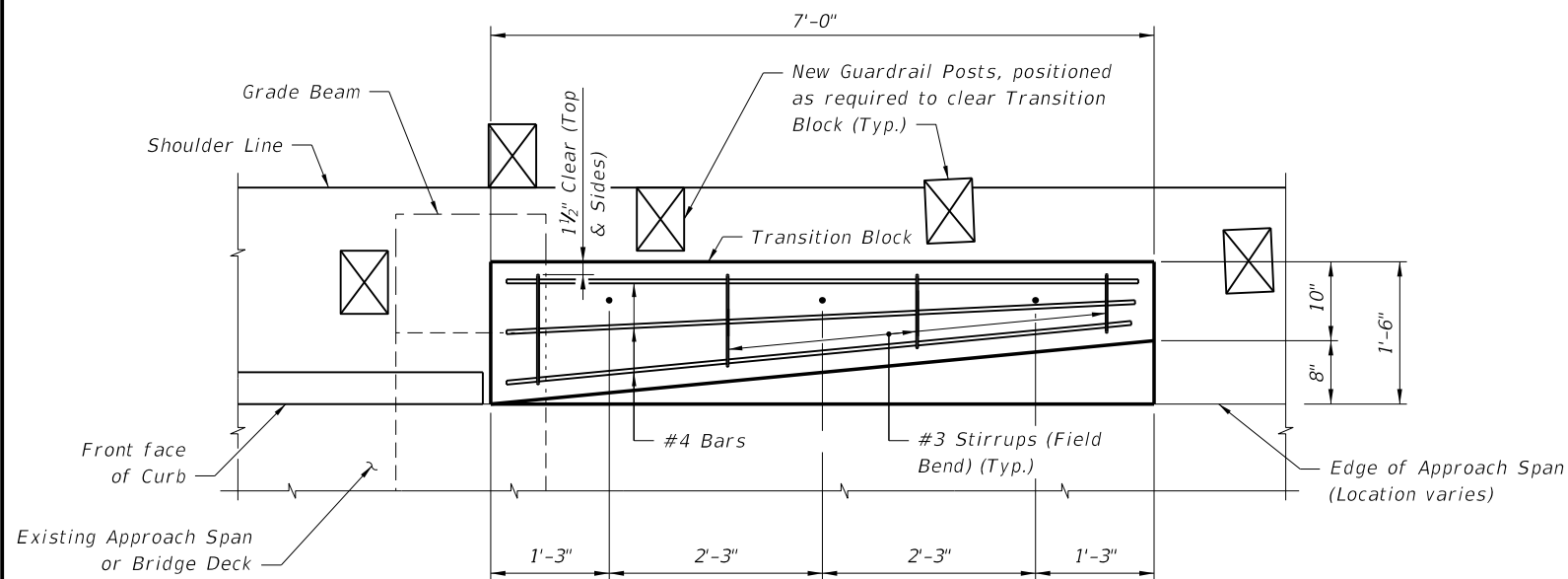
STEEL POST PLATE DETAIL

SECTIONS AND DETAILS

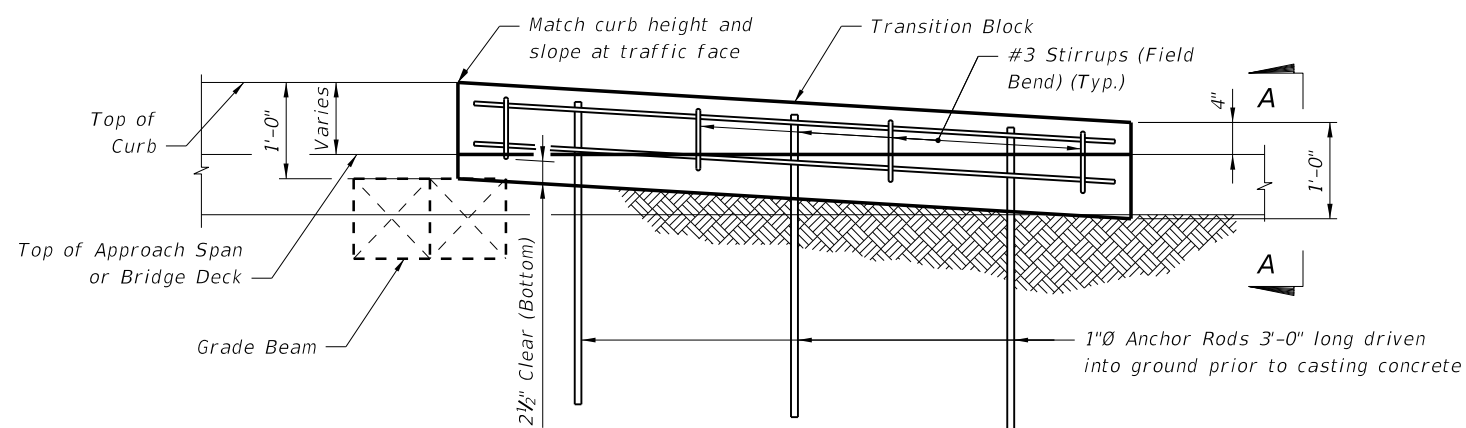
C:\projects\standards\structures\current\ready\4release\2014\BOOK\21640-5of6.dgn 9:27:28 AM R0960DM 7/1/2013

LAST REVISION 07/01/13	DESCRIPTION:	 FDOT 2014 DESIGN STANDARDS	TEMPORARY DETOUR BRIDGE THRIE-BEAM GUARDRAIL	INDEX NO. 21640	SHEET NO. 5 of 6

C:\projects\standards\structures\current\ready\4\release\2014\BOOK\21640-6of6.dgn
 RD960DM
 9:27:30 AM
 7/1/2013

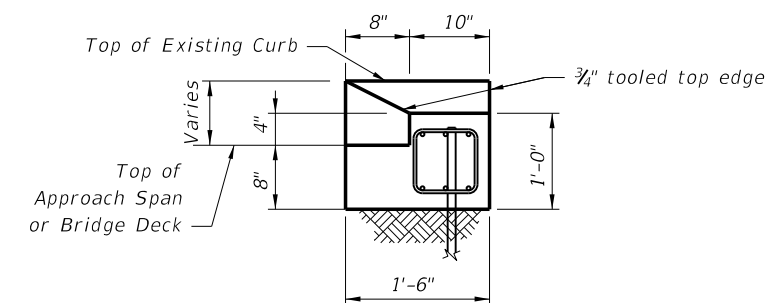


PLAN VIEW OF TRANSITION BLOCK
(GUARDRAIL NOT SHOWN FOR CLARITY)

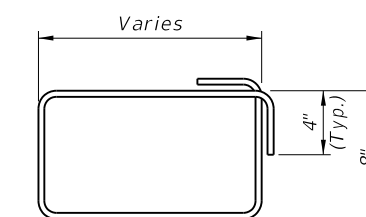


ELEVATION OF TRANSITION BLOCK
(GUARDRAIL AND POSTS NOT SHOWN FOR CLARITY)

ESTIMATED QUANTITIES		
ITEM	UNIT	QUANTITY
Concrete Class NS	CY	0.4
Reinforcing Steel	LB	61
Guardrail (Reset)	LF	12.5



END VIEW A-A



#3 STIRRUP (FIELD BEND)

NOTES:

REINFORCING STEEL: Reinforcing steel shall be ASTM A615, Grade 60.

ANCHOR RODS: Steel Anchor Rods shall be ASTM A36, ASTM A709 Grade 36 or ASTM A615 Grade 60 hot-dip galvanized in accordance with Specification Section 962.