

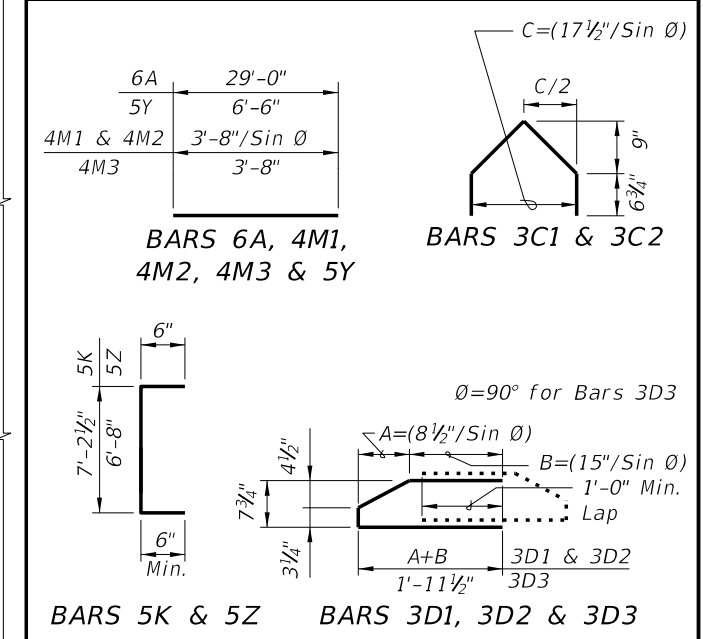
C:\projects\standards\structures\current\ready\4release\2014\BOOK\20084-1of2.dgn  
smg70re  
7:44:40 PM  
6/24/2013

### CONVENTIONAL REINFORCING BAR BENDING DETAILS

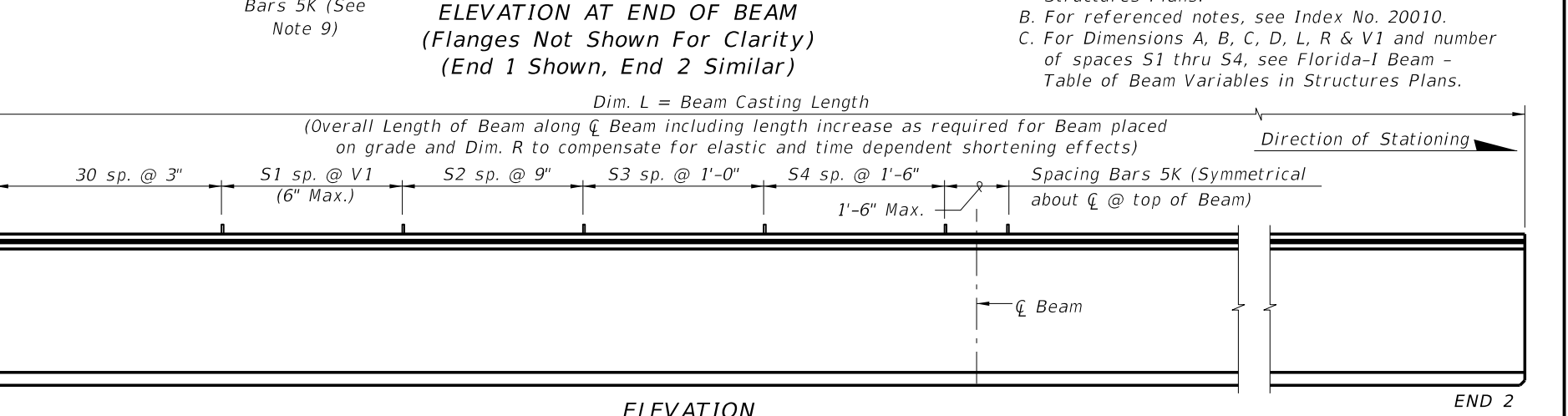
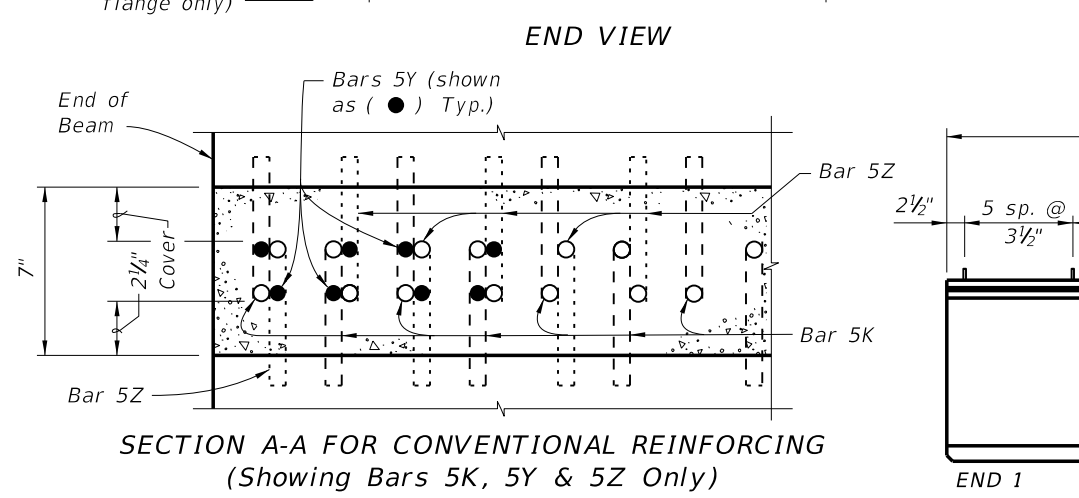
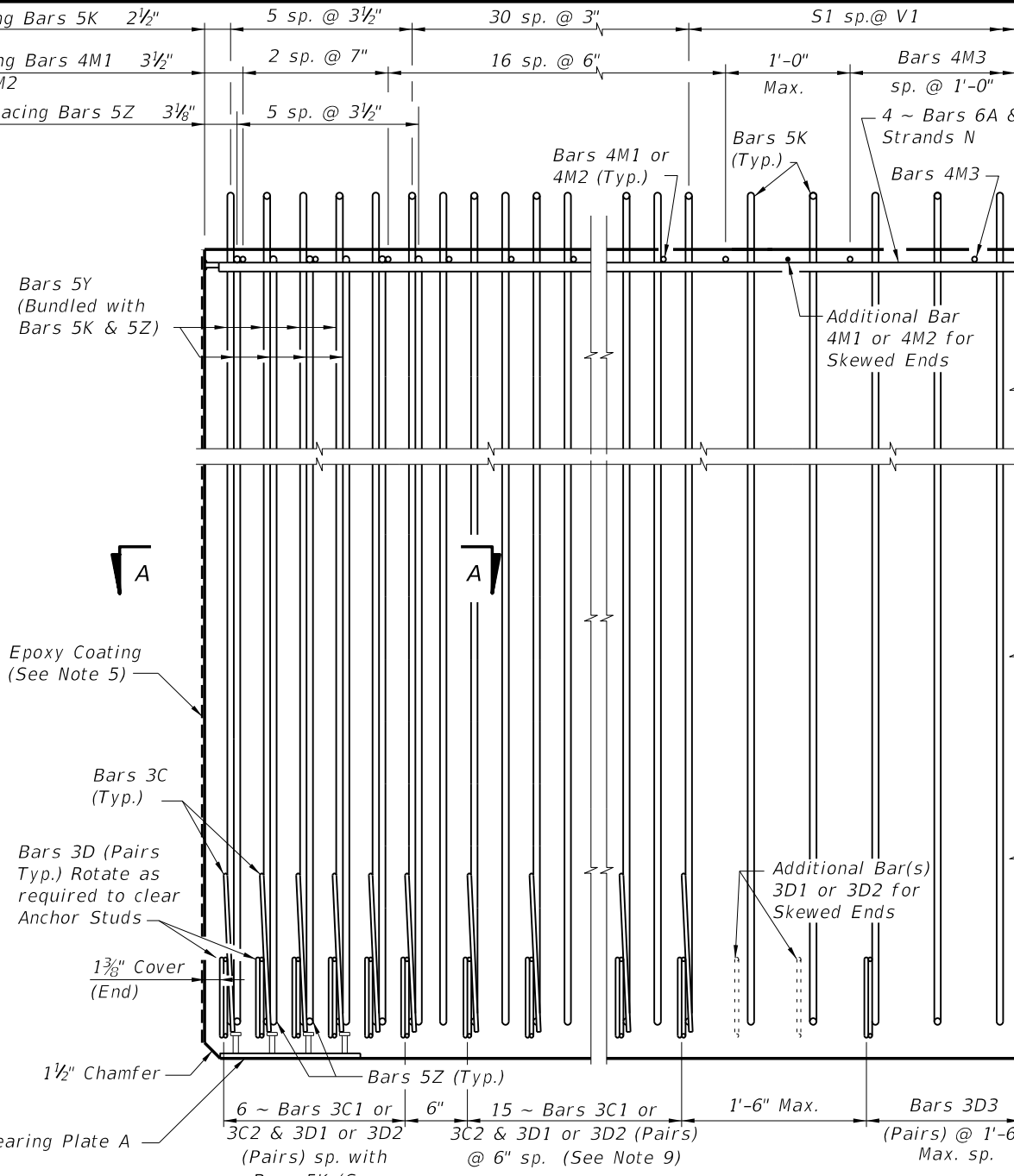
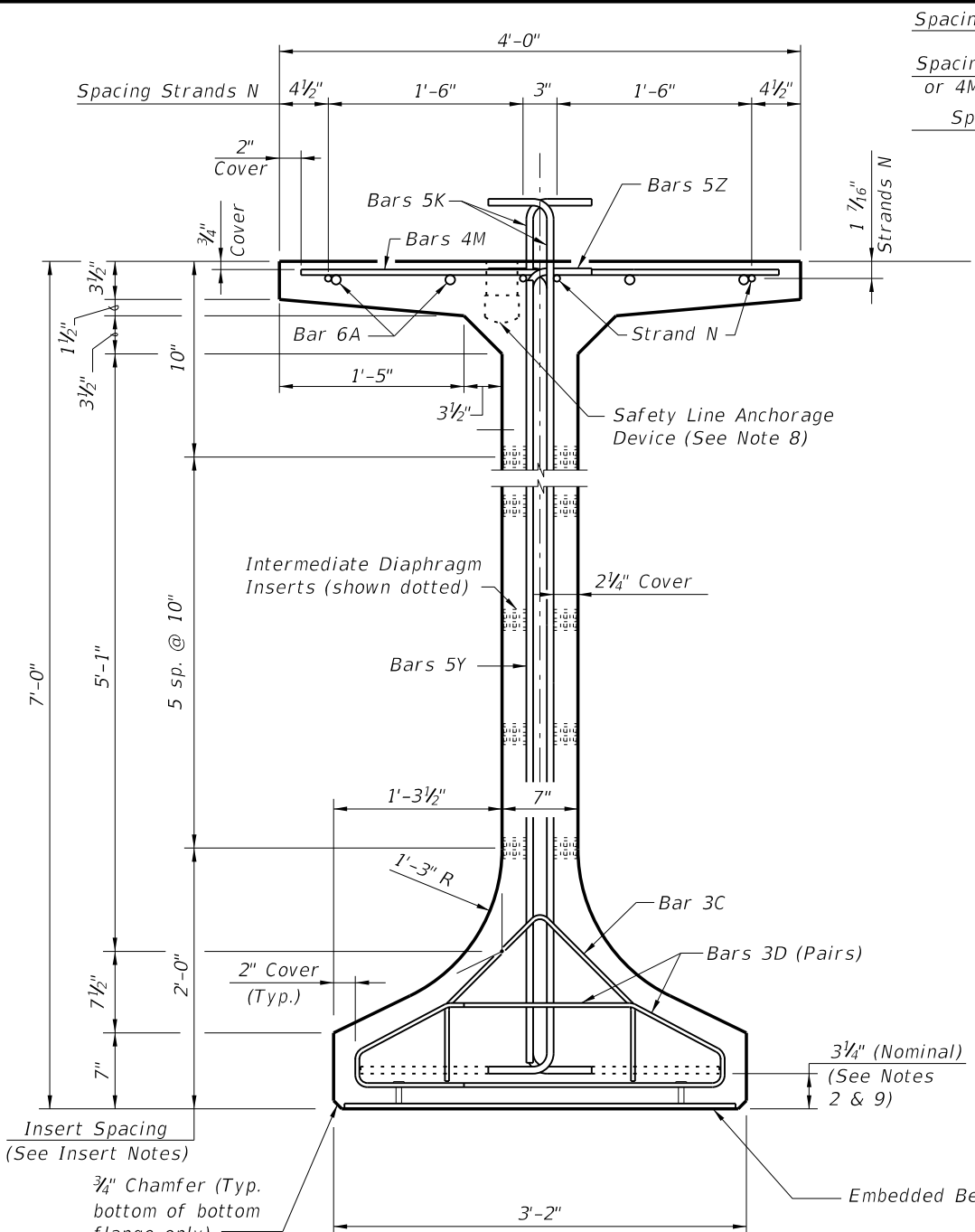
#### BILL OF REINFORCING STEEL

MARK	NOTE NUMBERS	SIZE	NUMBER REQUIRED	LENGTH (NOTE 1)
A	—	6	8	29'-0"
C1	9, 10 & 11	3	21 (End 1)	Varies
C2	9, 10 & 11	3	21 (End 2)	Varies
D1	9, 10, 11 & 14	3	42 (End 1)	Varies
D2	9, 10, 11 & 14	3	42 (End 2)	Varies
D3	9 & 14	3	See Table	4'-3"
K	2, 9, 11 & 13	5	See Table	8'-2"
M1	9 & 10	4	19 (End 1)	Varies
M2	9 & 10	4	19 (End 2)	Varies
M3	9	4	See Table	3'-8"
N	3 & 4	1/2" Ø Strand	4	Dim. L
Y	9 & 11	5	16	6'-6"
Z	2, 9, 11 & 13	5	12	7'-8"

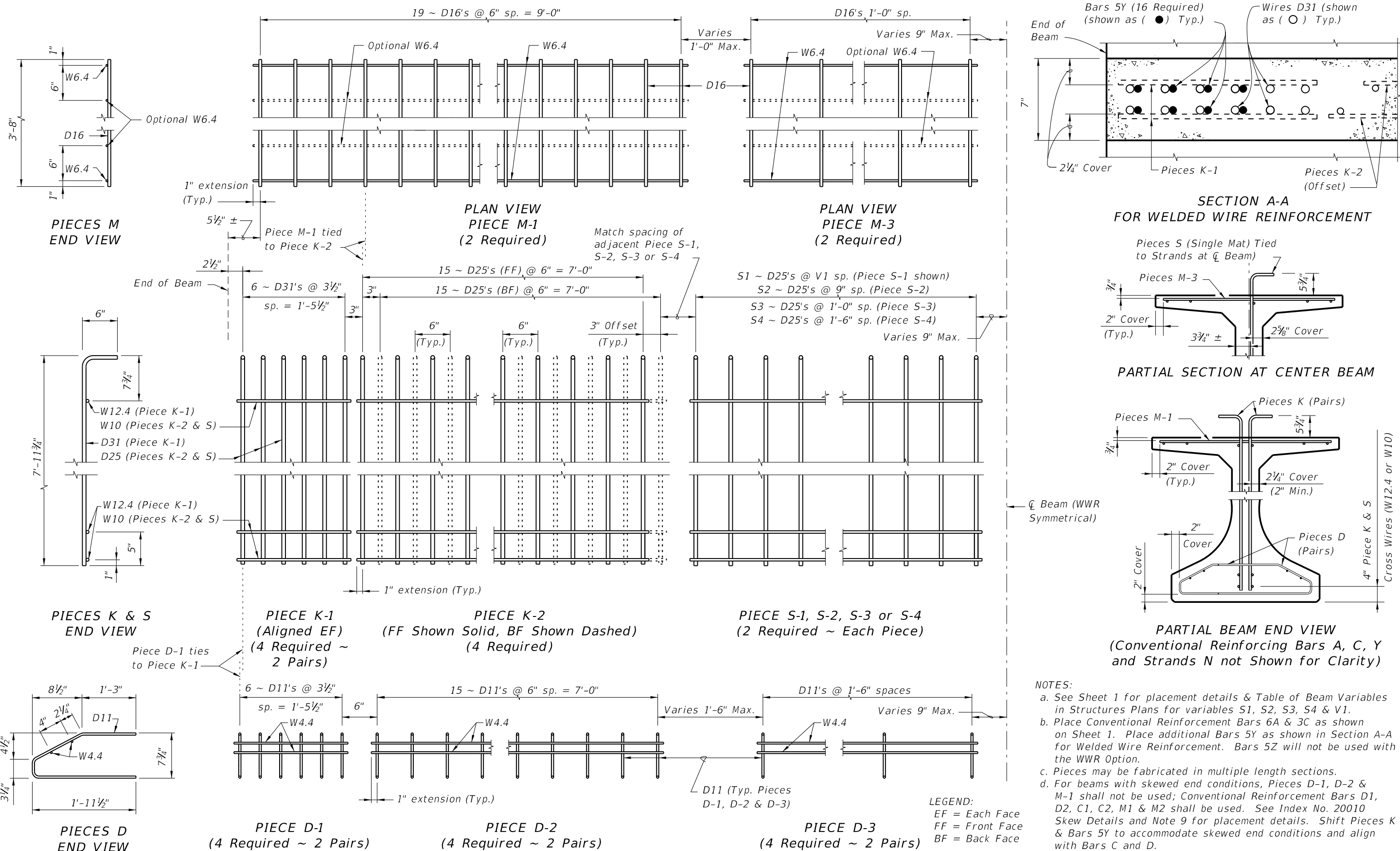
#### BENDING DIAGRAMS (See Note 1)



**NOTES:**  
 A. Work this Index with Index No. 20010 - Typical Florida-I Beam Details and Notes and the Florida-I Beam - Table of Beam Variables in Structures Plans.  
 B. For referenced notes, see Index No. 20010.  
 C. For Dimensions A, B, C, D, L, R & V1 and number of spaces S1 thru S4, see Florida-I Beam - Table of Beam Variables in Structures Plans.




ALTERNATE REINFORCING STEEL (WELDED WIRE REINFORCEMENT) DETAILS



- NOTES:**
- See Sheet 1 for placement details & Table of Beam Variables in Structures Plans for variables S1, S2, S3, S4 & V1.
  - Place Conventional Reinforcing Bars 6A & 3C as shown on Sheet 1. Place additional Bars 5Y as shown in Section A-A for Welded Wire Reinforcement. Bars 5Z will not be used with the WWR Option.
  - Pieces may be fabricated in multiple length sections.
  - For beams with skewed end conditions, Pieces D-1, D-2 & M-1 shall not be used; Conventional Reinforcing Bars D1, D2, C1, C2, M1 & M2 shall be used. See Index No. 20010 Skew Details and Note 9 for placement details. Shift Pieces K & Bars 5Y to accommodate skewed end conditions and align with Bars C and D.

C:\projects\standards\structures\current\ready\4release\2014\BOOK\20084-2of2.dgn  
 smg970re  
 7:44:42 PM  
 6/24/2013

LAST REVISION	07/01/10	DESCRIPTION:	 <b>FDOT 2014 DESIGN STANDARDS</b>	<b>FLORIDA-I 84 BEAM - STANDARD DETAILS</b>	INDEX NO. <b>20084</b>	SHEET NO. <b>2 of 2</b>
---------------	----------	--------------	---	---	---------------------------	----------------------------