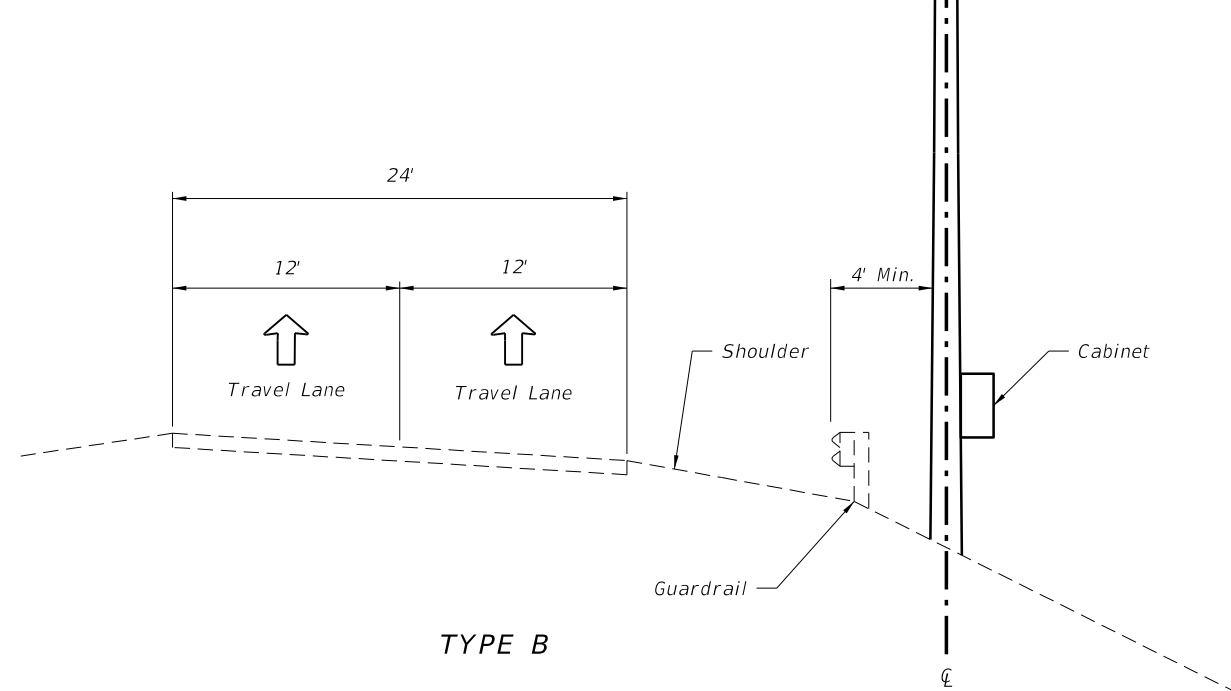
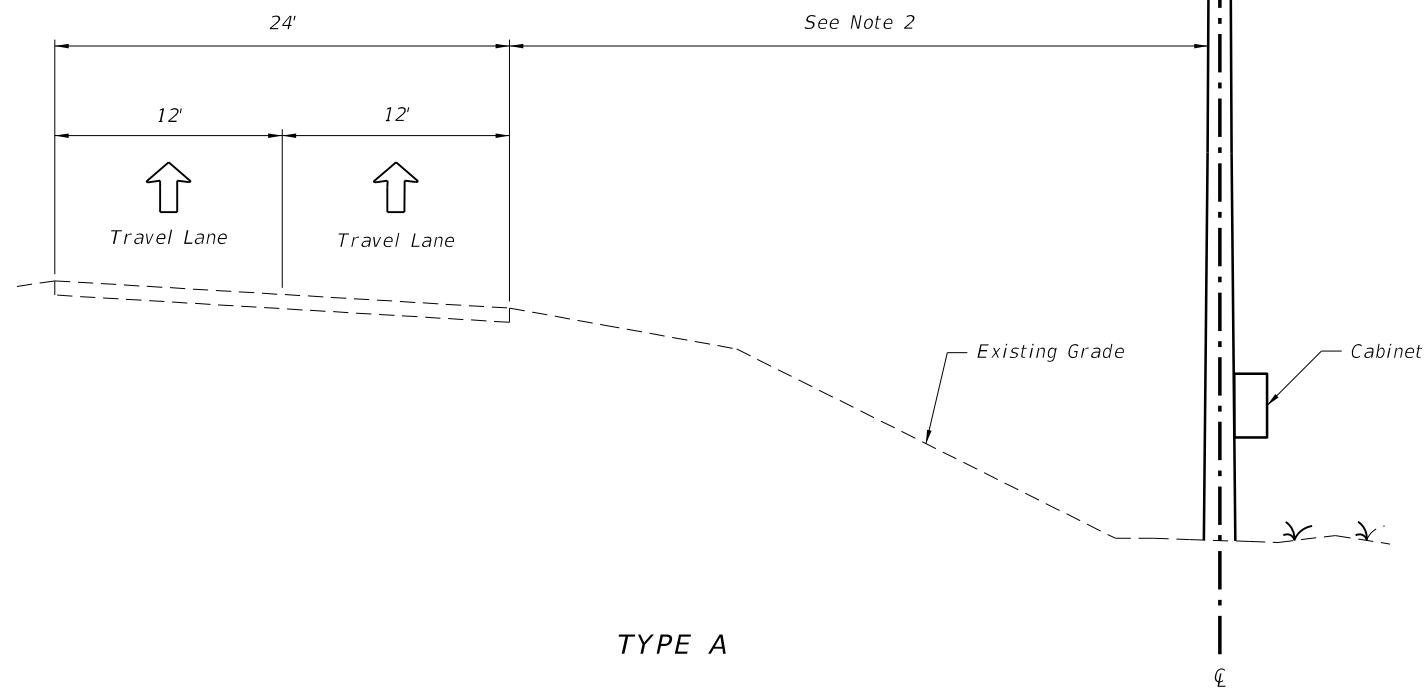


C:\projects\standards\18100-standards\18100-01.dgn
 sm970re
 7:34:50 PM
 6/24/2013



GENERAL NOTES:

1. For location where pole foundation is lower than roadway, mount CCTV cabinet on pole. Clear zone shall be measured to the edge of drilled shaft if drilled shaft is more than 4" above adjacent grade.
2. Distance must be in accordance with project design documents and greater than or equal to minimum clear zone requirements.

LAST REVISION	DESCRIPTION:
07/01/07	

REVISION	DESCRIPTION:


**FDOT 2014
 DESIGN STANDARDS**

CCTV POLE PLACEMENT

INDEX NO.
18100

SHEET NO.
1 of 1