

METAL POLE

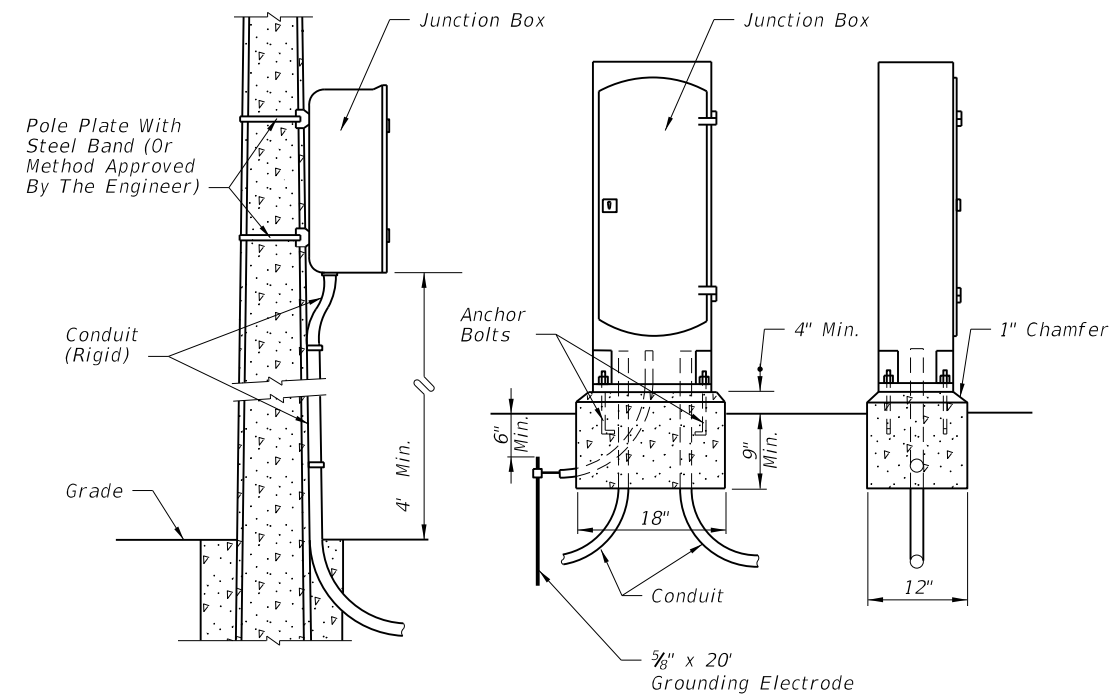
CONCRETE POLE

WOOD POLE

POLE MOUNTED CABINET

Liquidtight flexible conduit is approved for use from the electrical disconnect to the cabinet when both are installed on the same pole.

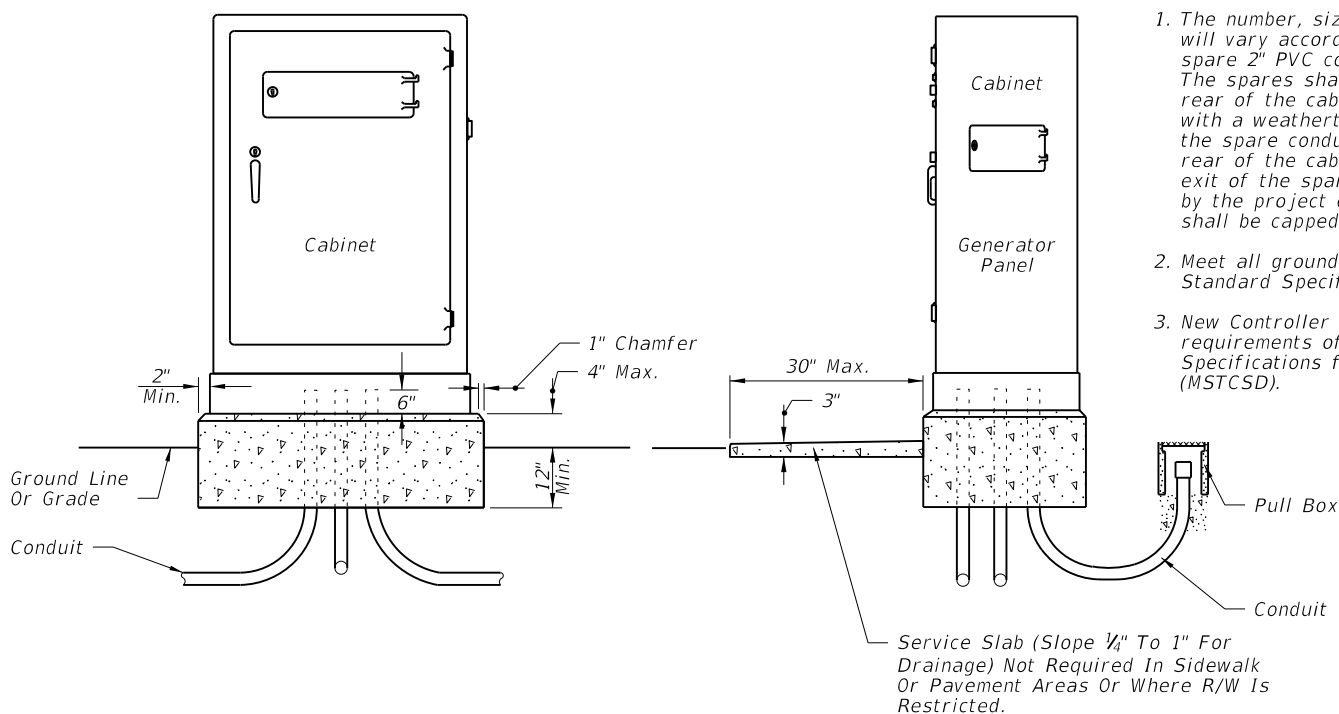
\* If holes for cabinet mounting require relocation, original holes shall be filled in with concrete or covered with a noncorrosive cover plate.



POLE MOUNTED

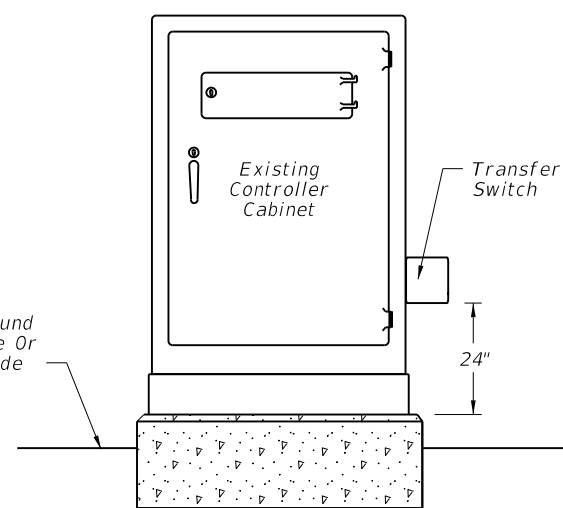
BASE MOUNTED

INTERCONNECT JUNCTION BOX



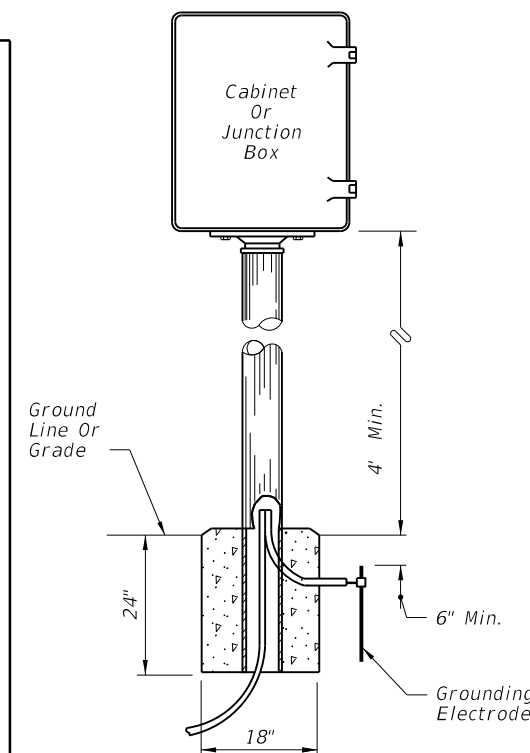
Notes:

1. The number, size and orientation of conduit sweep will vary according to site condition or locations. Two spare 2" PVC conduits shall be provided in all bases. The spares shall exit in the direction of the center rear of the cabinet base, into a pullbox and capped with a weathertight fitting. If obstructions prevent the spare conduit from exiting to the rear, or the rear of the cabinet is located on the R/W line, a side exit of the spare conduits will have to be approved by the project engineer. All spare conduit sweeps shall be capped with a weatherproof fitting.
2. Meet all grounding requirements of Section 620 of the Standard Specifications.
3. New Controller Cabinet installation shall meet the requirements of Section A676-1 of the Minimum Specifications for Traffic Control Signal Devices (MSTCSD).




Existing controller cabinets to be retrofitted shall meet the requirements of Section A678-16 of the Minimum Specifications for Traffic Control Signal Devices (MSTCSD).

The signalized intersection controller cabinet retrofit installation procedures are located at: [http://www.dot.state.fl.us/TrafficOperations/Doc\\_Library/Doc\\_Library.shtm](http://www.dot.state.fl.us/TrafficOperations/Doc_Library/Doc_Library.shtm) for Generator Power for Signalized Intersection



PEDESTAL MOUNTED

C:\projects\standards\roadway\17800-s\17841-01.dgn sm970re 7:32:23 PM 6/24/2013

LAST REVISION 07/01/13	REVISION	DESCRIPTION:	 <p><b>FDOT 2014 DESIGN STANDARDS</b></p>	<p><b>CABINET INSTALLATION DETAILS</b></p>	<p>INDEX NO. <b>17841</b></p>	<p>SHEET NO. <b>1 of 1</b></p>
---------------------------	----------	--------------	--	--	-----------------------------------	------------------------------------