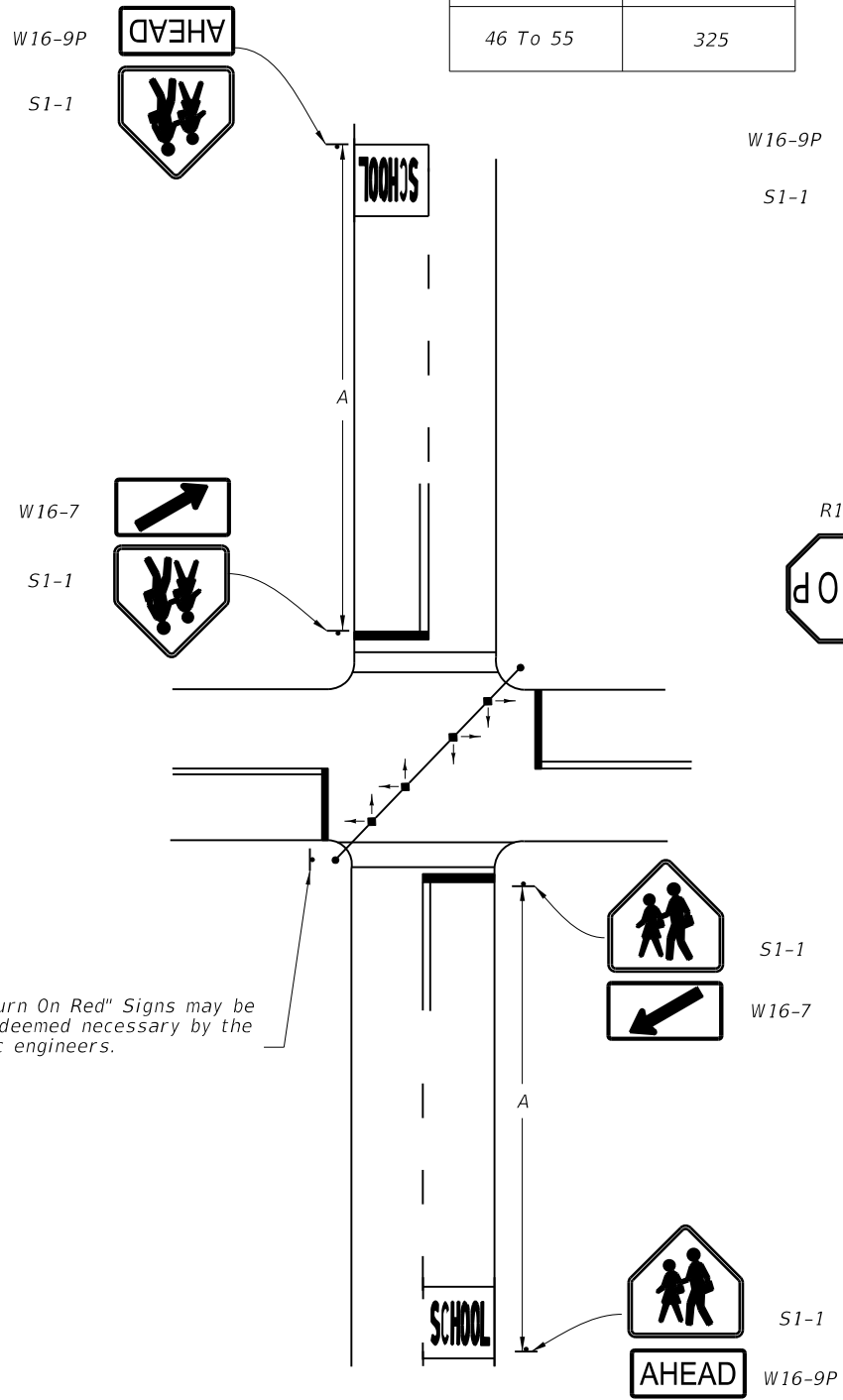
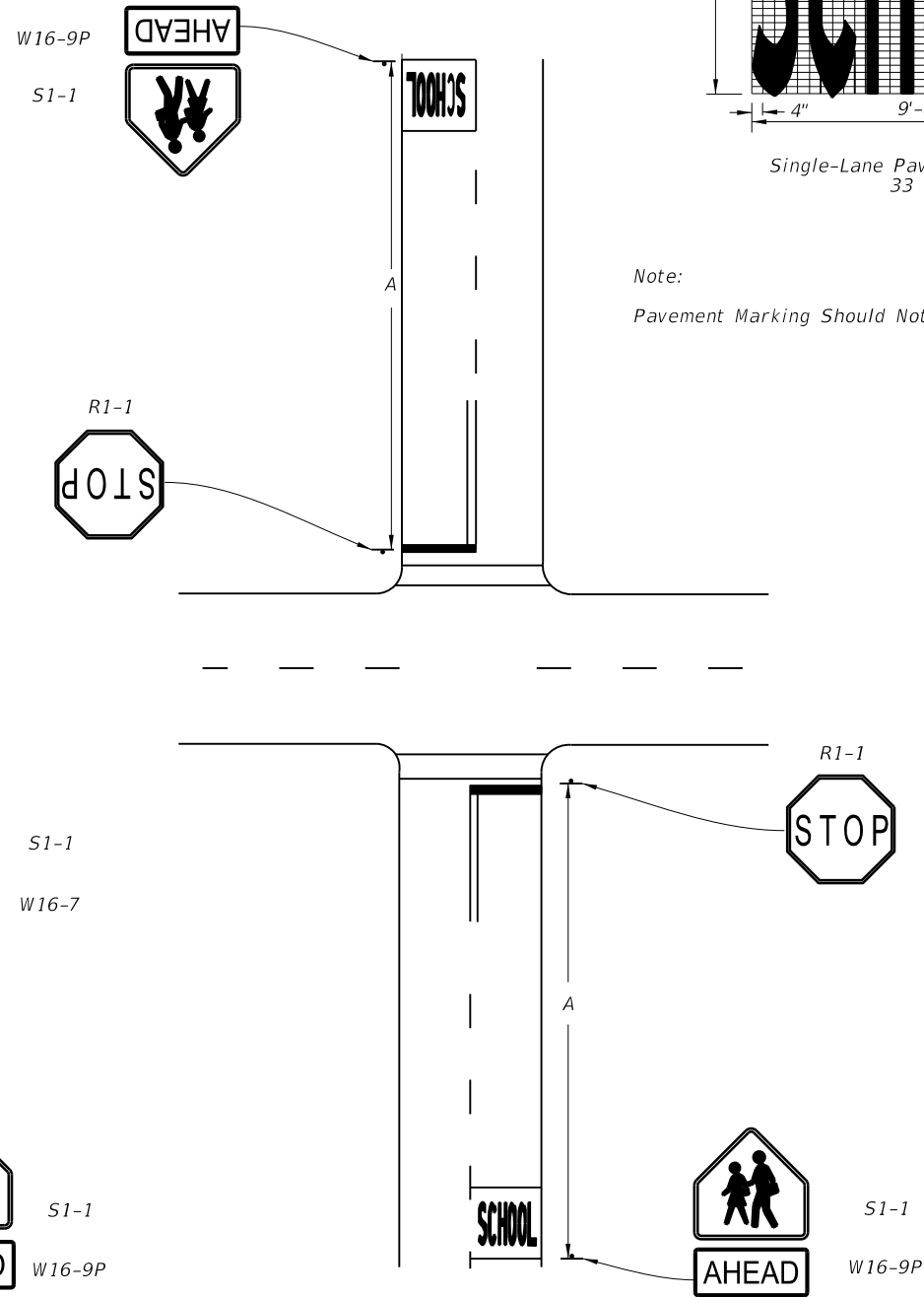


Approach Speed (MPH)	Distance A (FT.)
25 or Less	200
26 To 35	250
36 To 45	300
46 To 55	325



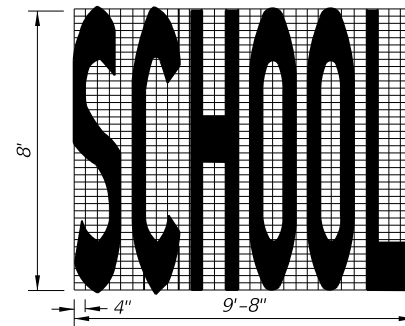
"No Right Turn On Red" Signs may be erected as deemed necessary by the local traffic engineers.

1. TRAFFIC CONTROL DEVICES FOR A SCHOOL CROSSWALK AT A SIGNALIZED INTERSECTION



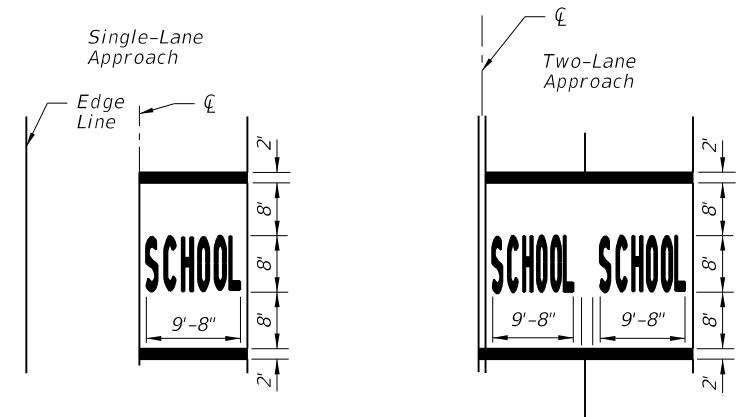
Note:  
Special speed restrictions are not normally applicable to these two cases.

2. TRAFFIC CONTROL DEVICES FOR A SCHOOL CROSSWALK AT A STOP CONTROLLED INTERSECTION

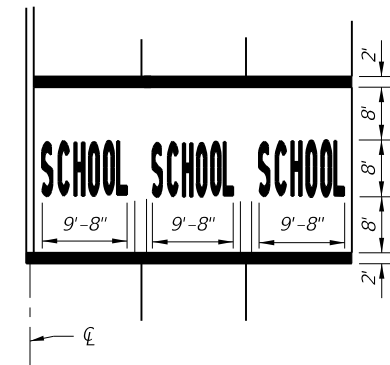


Single-Lane Pavement Marking  
33 s.f.

Note:  
Pavement Marking Should Not Extend Into Opposing Lane.



Multi-Lane Approach  
(Three or More)



PAVEMENT MARKINGS

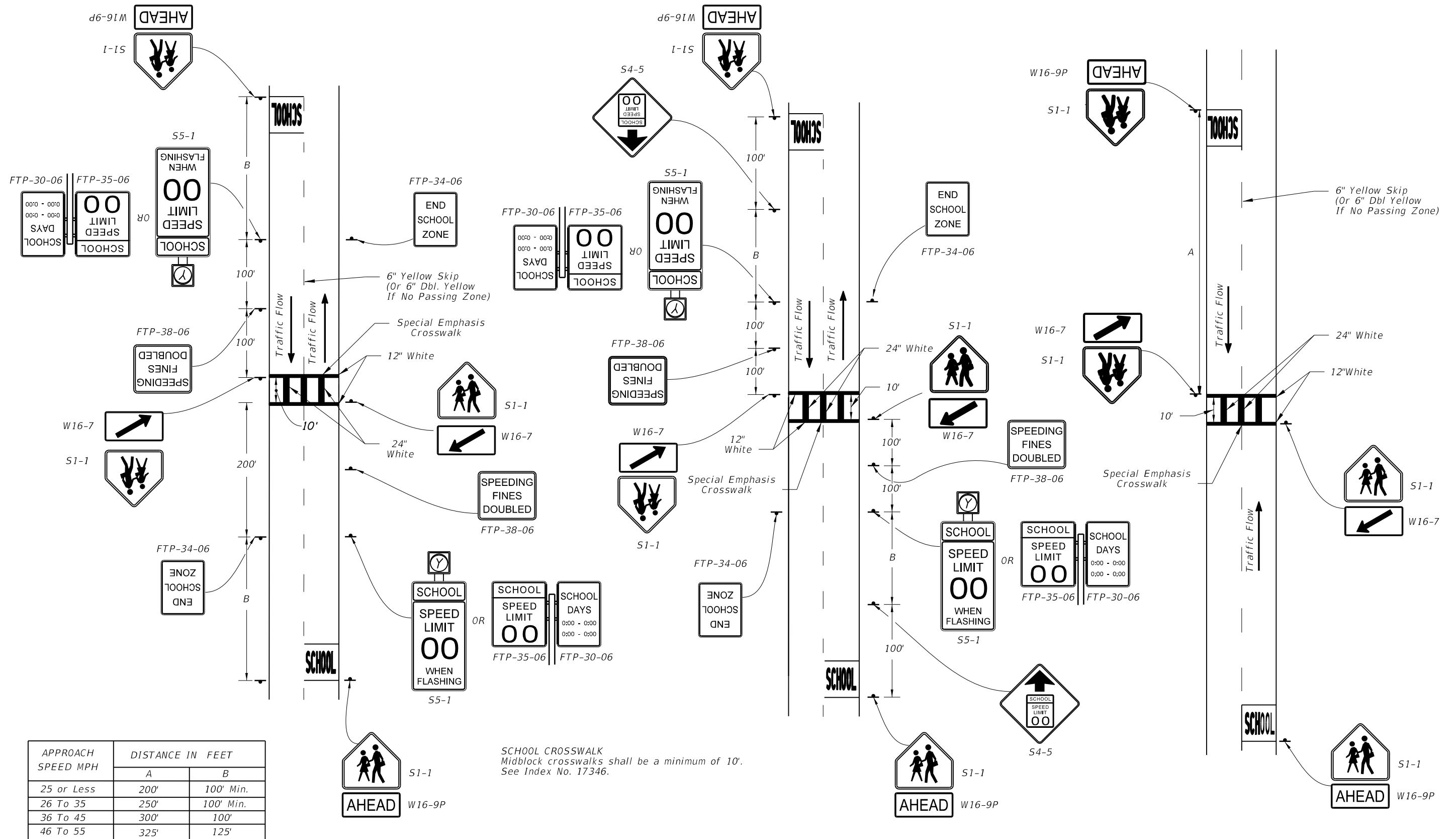
Notes:  
Signs shall be erected in accordance with index No. 17302.  
When computing pavement messages quantities do not include transverse lines.  
School crosswalk widths at intersections shall be 6' minimum 10' standard without public sidewalk curb ramps 10' minimum with public sidewalk curb ramps. The width is measured from inside of line to inside of line.  
For additional marking information, see Index 17346, Sheet 2.

6/24/2013 7:11:58 PM sm970re C:\projects\standards\roadway\17300-s\17344-01.dgn

3. TRAFFIC CONTROL DEVICES FOR REDUCED SPEED ZONE AT A SCHOOL CROSSWALK 2 LANES-2 WAY TRAFFIC (40 MPH OR LESS) (MIDBLOCK OR ON THRU STREET AT AN INTERSECTION)

4. TRAFFIC CONTROL DEVICES FOR REDUCED SPEED ZONE AT A SCHOOL CROSSWALK 2 LANES-2 WAY TRAFFIC (45 MPH OR GREATER) (MIDBLOCK OR ON THRU STREET AT AN INTERSECTION)

5. TRAFFIC CONTROL DEVICES FOR A SCHOOL CROSSWALK WITHOUT A SPEED REDUCTION (2 LANE-2 WAY TRAFFIC)

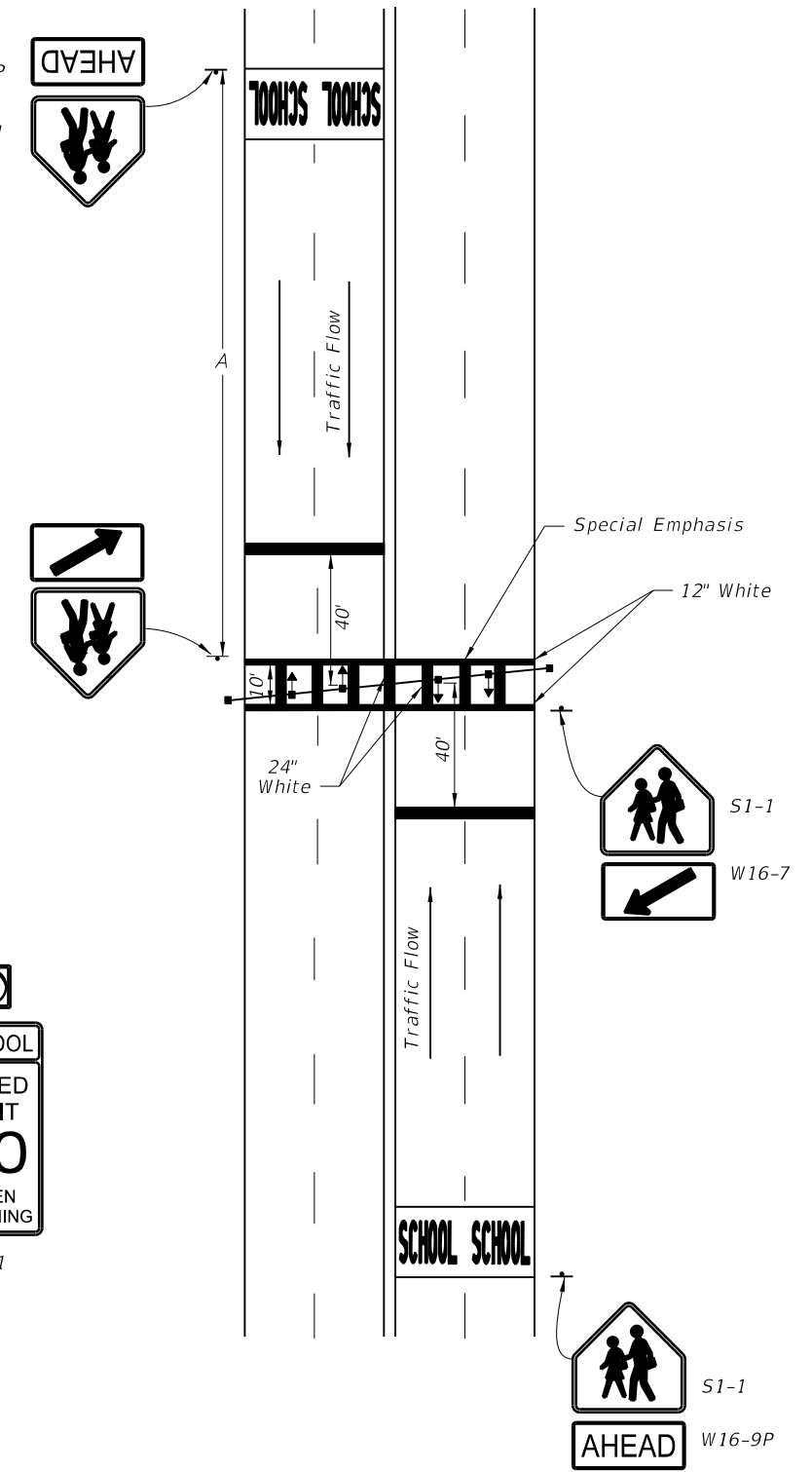
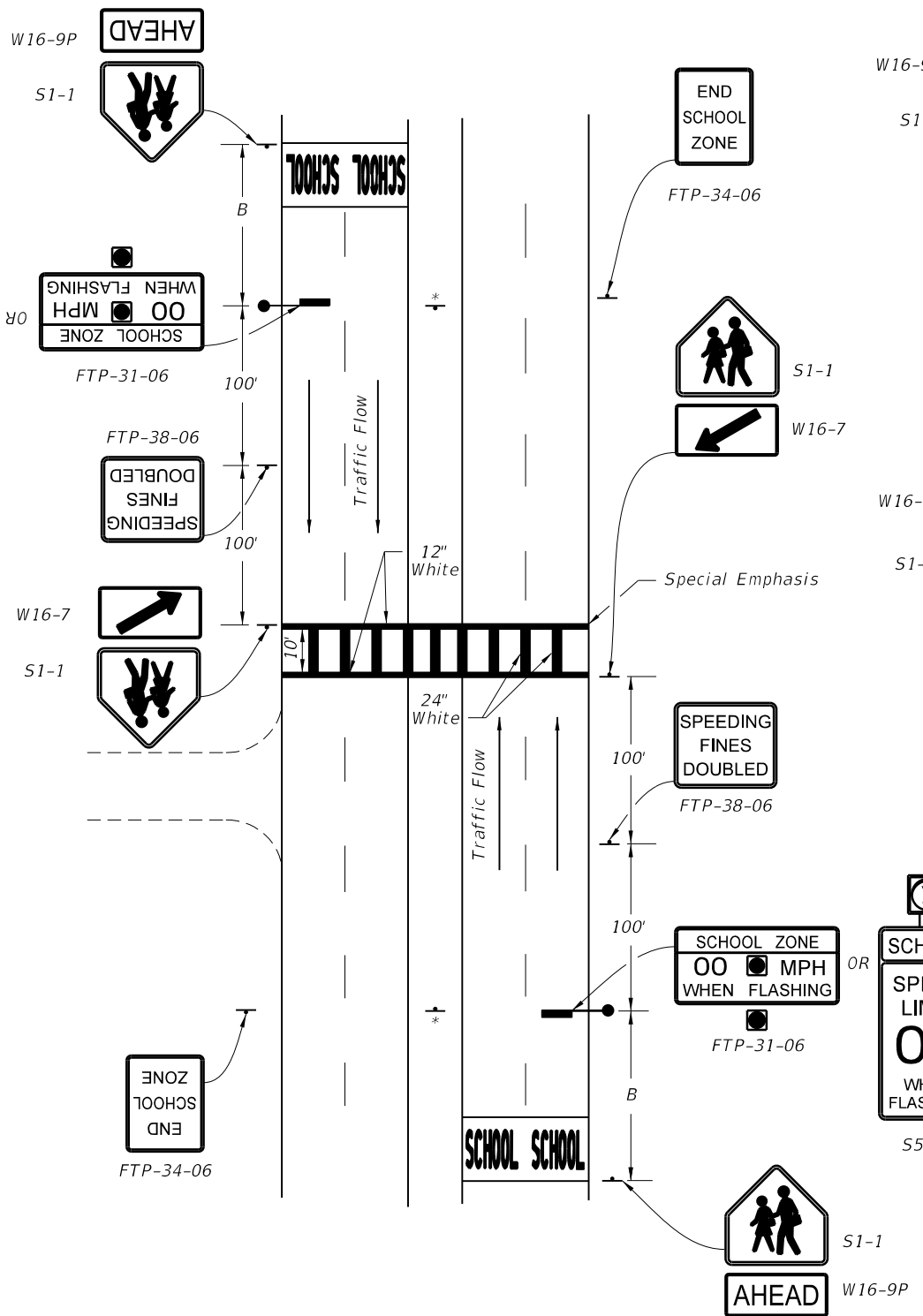
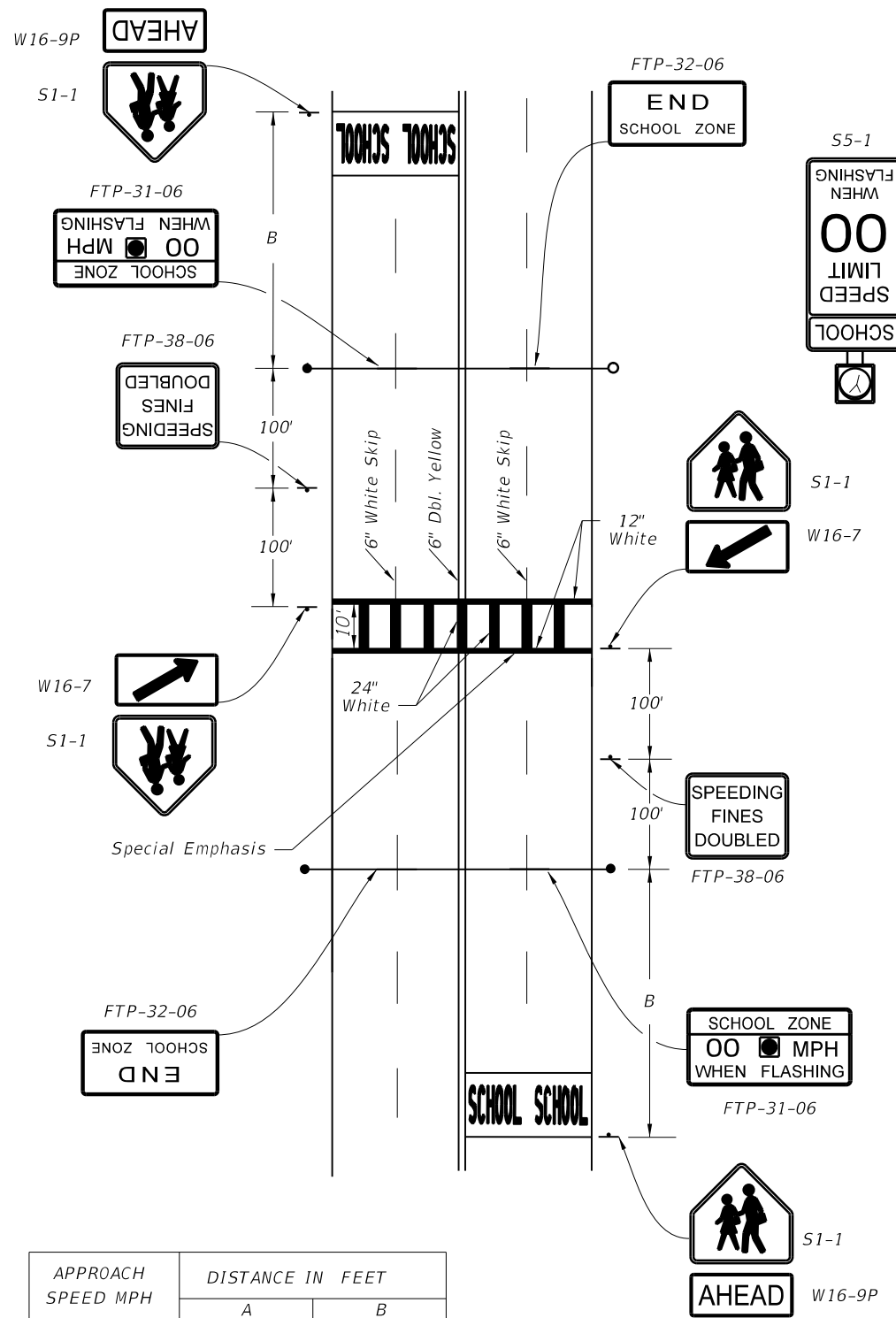


6/24/2013 7:12:06 PM sm970re C:\projects\standards\roadway\17300-s\17344-02.dgn

6. TRAFFIC CONTROL DEVICES FOR A REDUCED SPEED ZONE AT A SCHOOL CROSSWALK WITH OVERHEAD FLASHING BEACON SPEED LIMIT SIGNS (4 LANES UNDIVIDED-2 WAY TRAFFIC) (MIDBLOCK OR ON THRU STREET AT AN INTERSECTION)

7. TRAFFIC CONTROL DEVICES FOR A REDUCED SPEED ZONE AT A SCHOOL CROSSWALK WITH OVERHEAD OR GROUND MOUNTED FLASHING BEACON SPEED LIMIT SIGNS (4 LANES DIVIDED-2 WAY TRAFFIC)

8. TRAFFIC CONTROL DEVICES FOR SIGNALIZED MIDBLOCK SCHOOL CROSSWALK



APPROACH SPEED MPH	DISTANCE IN FEET	
	A	B
25 or Less	200'	100' Min.
26 To 35	250'	100' Min.
36 To 45	300'	100'
46 To 55	325'	125'

SCHOOL CROSSWALK  
Midblock crosswalk shall be a minimum of 10'.  
See Index No. 17346.

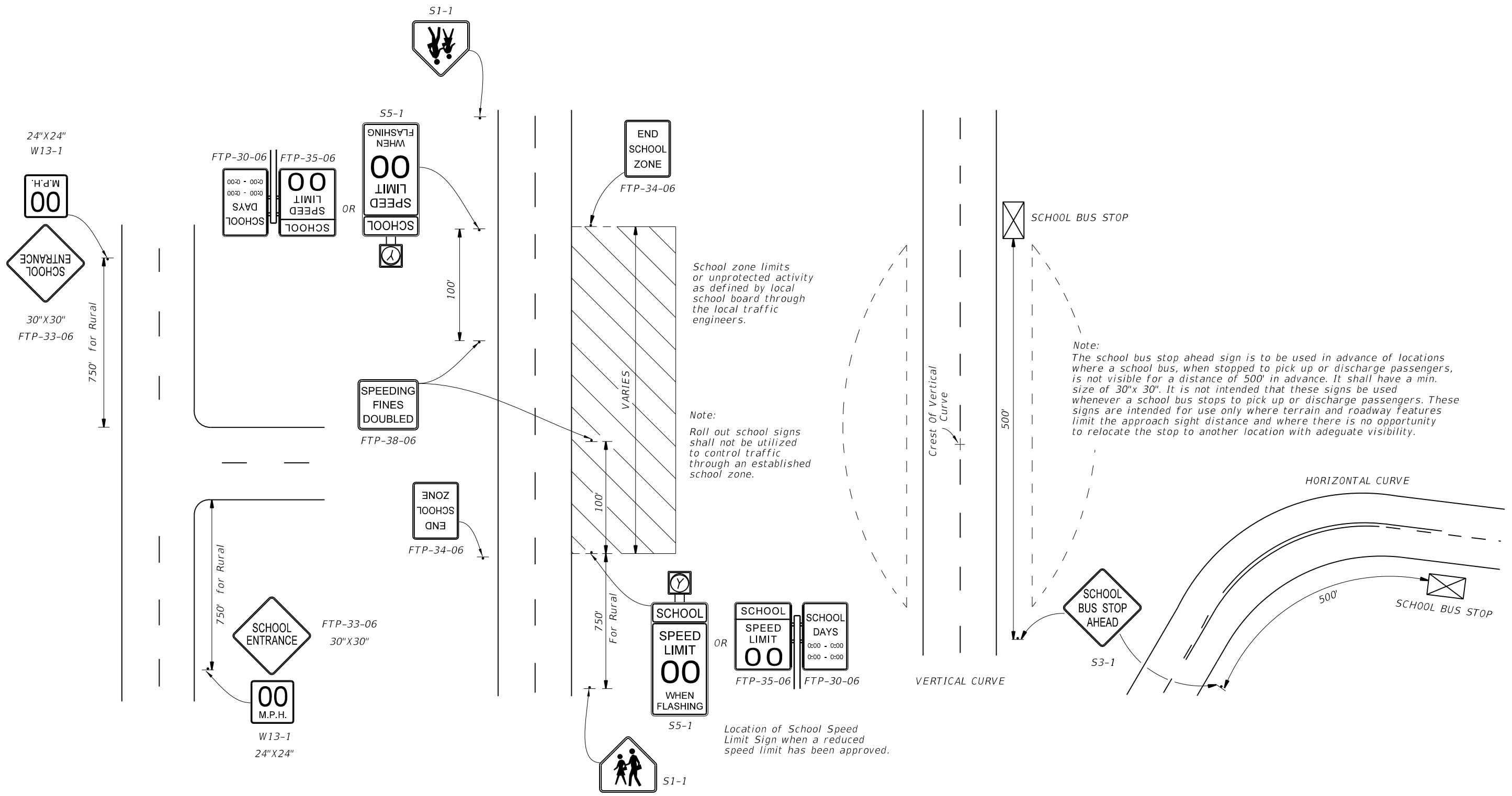
\* NOTE- CONDITION 7:  
Where engineering judgement determines the overhead structure is not suitable or cannot be installed due to site restrictions, S5-1 with flashing beacons on each side of the road may be substituted for the overhead structure.

6/24/2013 7:12:08 PM sm970re C:\projects\standards\roadway\17300-s\17344-03.dgn

9. TRAFFIC CONTROL DEVICES AT SCHOOL ENTRANCES WITH LOW VOLUMES OF WALKING STUDENTS


10. TRAFFIC CONTROL DEVICES FOR A TYPICAL SCHOOL ZONE FRONTING THE SCHOOL PROPERTY

11. SCHOOL BUS STOP

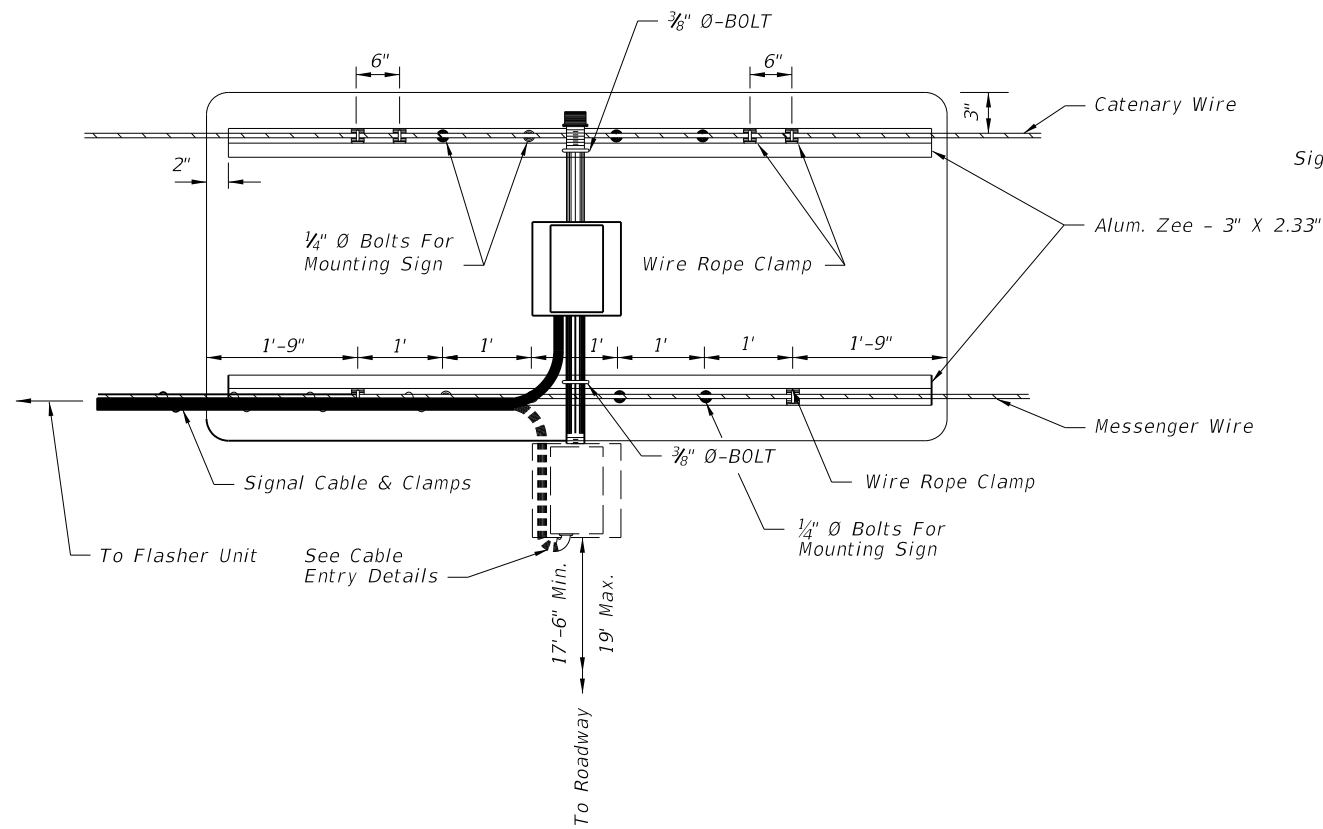


These signs are intended for use only at those few locations where the school entrance is not evident to the motorist, and must be approved in advance by the responsible traffic engineering authority.

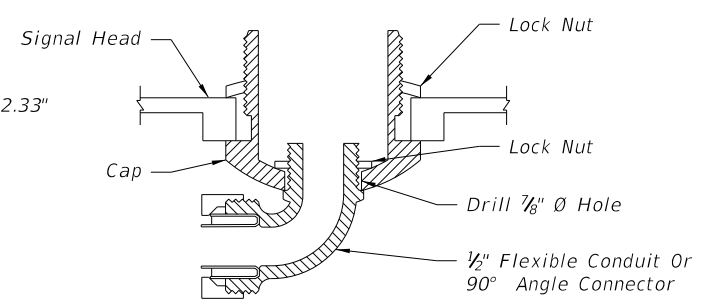
6/24/2013 7:12:10 PM sm970re C:\projects\standards\roadway\17300-s\17344-04.dgn

LAST REVISION	07/01/09	DESCRIPTION:	 <b>FDOT 2014 DESIGN STANDARDS</b>	<b>SCHOOL SIGNS &amp; MARKINGS</b>	INDEX NO. <b>17344</b>	SHEET NO. <b>4 of 6</b>
---------------	----------	--------------	---	------------------------------------	---------------------------	----------------------------

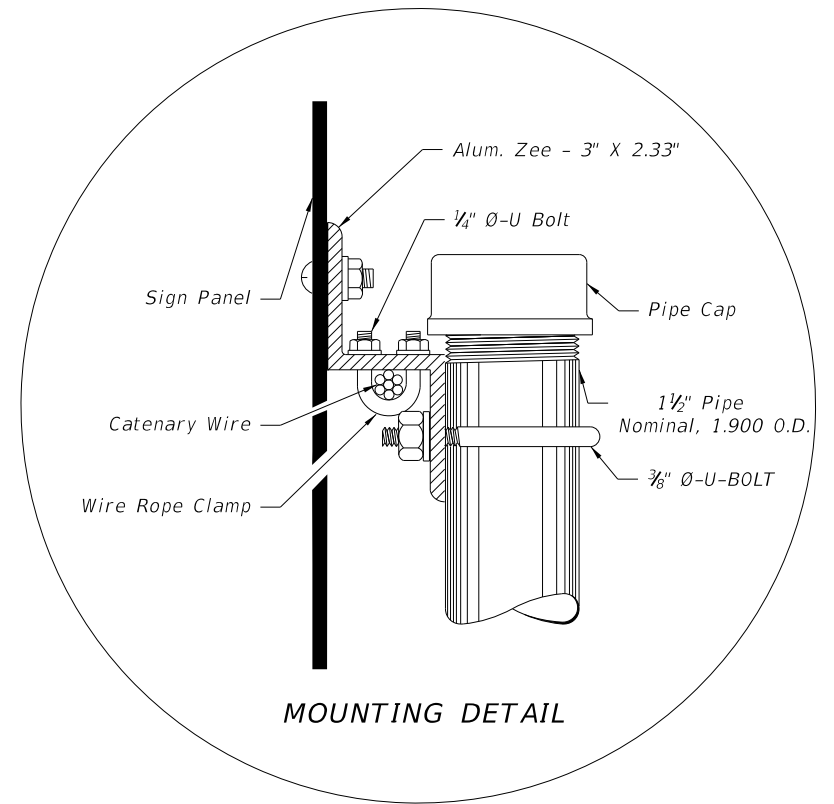
6/24/2013 7:12:11 PM sm970re C:\projects\standards\roadway\17300-s\17344-05.dgn



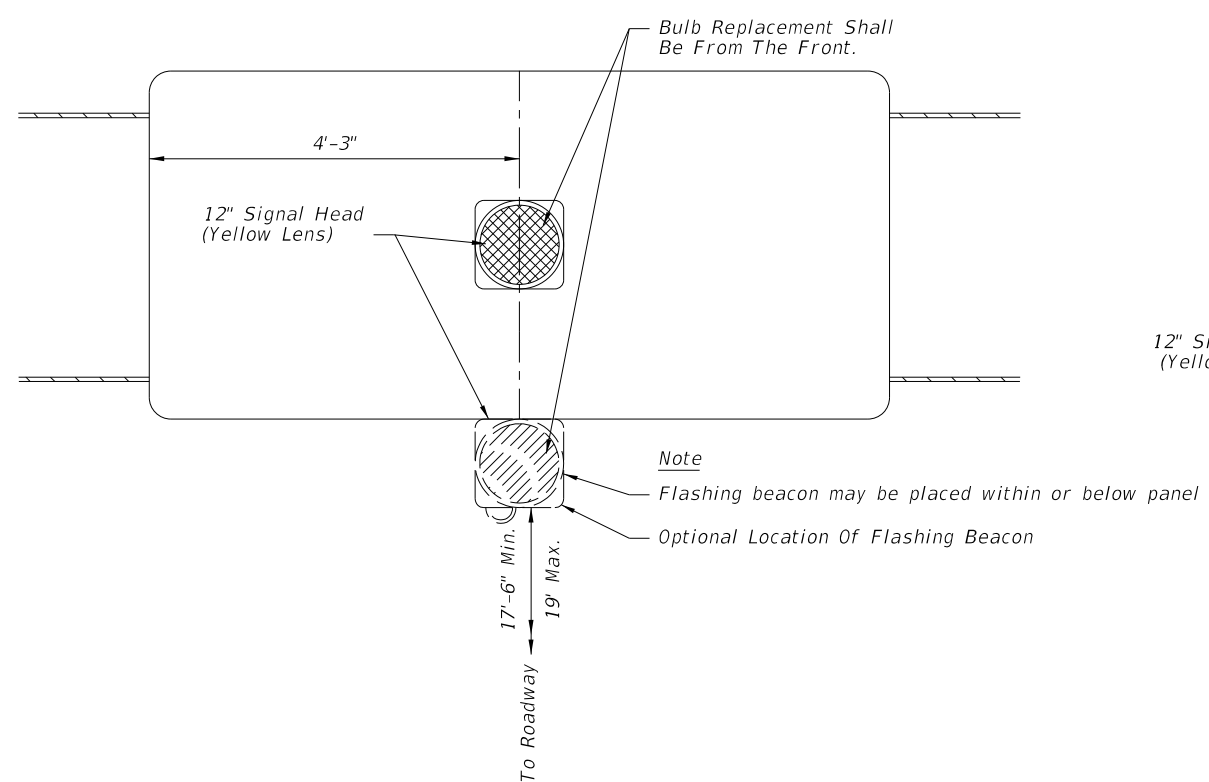
REAR VIEW



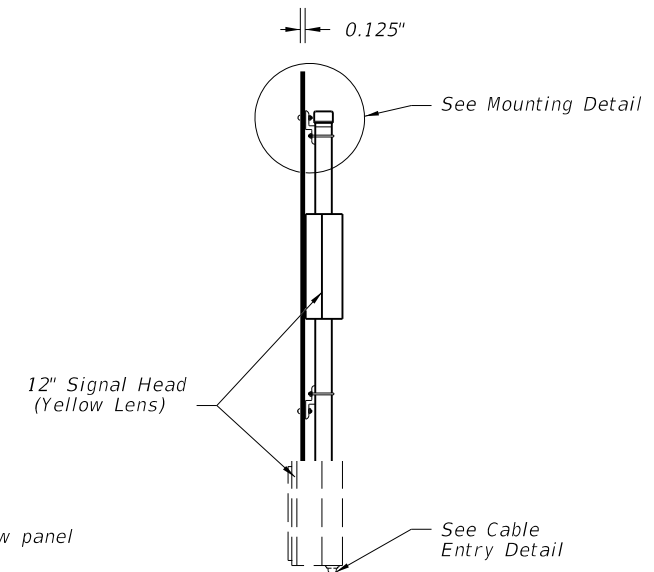
CABLE ENTRY DETAIL



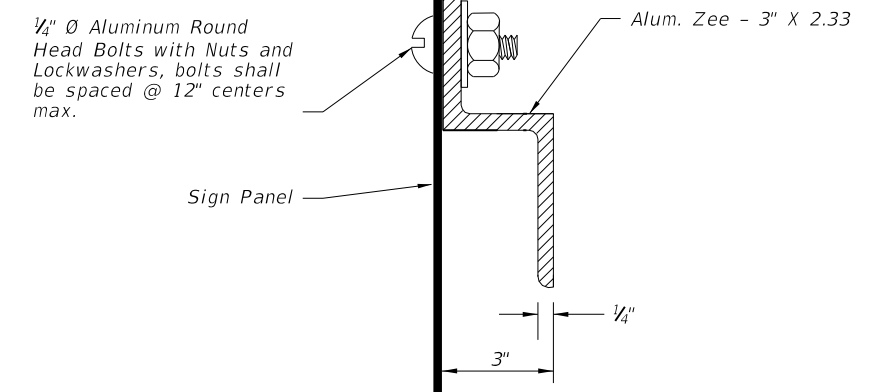
MOUNTING DETAIL



FRONT VIEW




SIDE VIEW

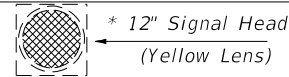
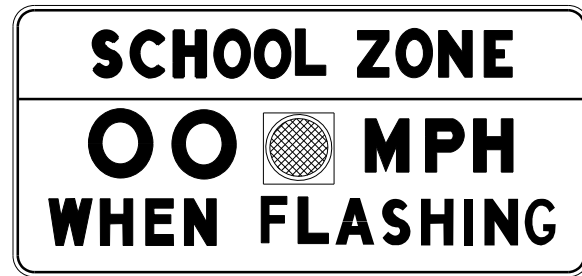


ZEE SECTION DETAIL

Flasher unit and cabinet to be placed on the strain pole supporting overhead sign assembly or on service pole. The flasher unit not to overhang private property or sidewalk.

LAST REVISION	REVISION	DESCRIPTION:	 <p><b>FDOT 2014 DESIGN STANDARDS</b></p>	<p><b>SCHOOL SIGNS &amp; MARKINGS</b></p>	<p>INDEX NO. <b>17344</b></p>	<p>SHEET NO. <b>5 of 6</b></p>
01/01/12						

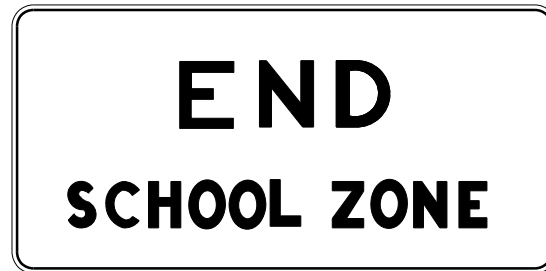
C:\projects\standards\roadway\17300-s\17344-06.dgn  
smg970re  
7:12:13 PM  
6/24/2013



FTP-31-06

OVERHEAD STANDARD

\* Flashing Beacon May Be Placed Within Or Below Panel



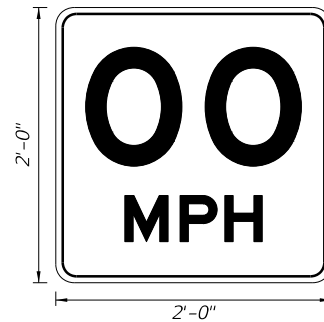
FTP-32-06



FTP-38-06

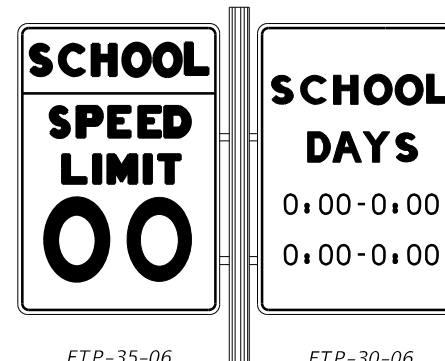


FTP-33-06



W13-1

SPEED LIMIT ASSEMBLY

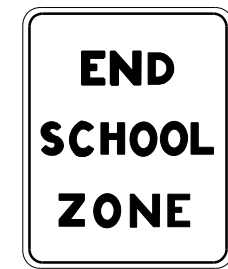


FTP-35-06

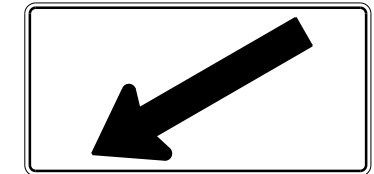
FTP-30-06



S1-1



FTP-34-06



W16-7



W16-9P



S4-5



S3-1

12 inch Signal Head (Yellow Lens)



S5-1

Ground Mount Standard

Notes:

- Standard size signs should be used whenever possible. Minimum sizes may be used only on low volume, low speed (less than 35 mph) streets. Special sizes should be used on expressway facilities where special emphasis is needed.
- The value of the actual school zone speed limit shall be determined by the District Traffic Operations Engineer in cooperation with local school superintendents. In no case shall it be less than the 15 mph min. as set by law.
- See Index No. 17355 for sign details.
- When fluorescent yellow-green background color is used, a systematic approach featuring one background color within a zone or area should be used. The mixing of standard yellow and fluorescent yellow green background within a zone should be avoided.

Note:

Existing ground mount school speed limit signs utilizing a single 8" min. size beacon or two 6" min. size beacons inside the sign border are considered meeting the standard. However, replacement or upgrading of these school speed limit signs shall conform to the above standard. Numerical speed limit displayed shall be established by appropriate regulatory authorities.

LAST REVISION  
07/01/09

REVISION DESCRIPTION:



FDOT 2014  
DESIGN STANDARDS

SCHOOL SIGNS & MARKINGS

INDEX NO.  
17344

SHEET NO.  
6 of 6