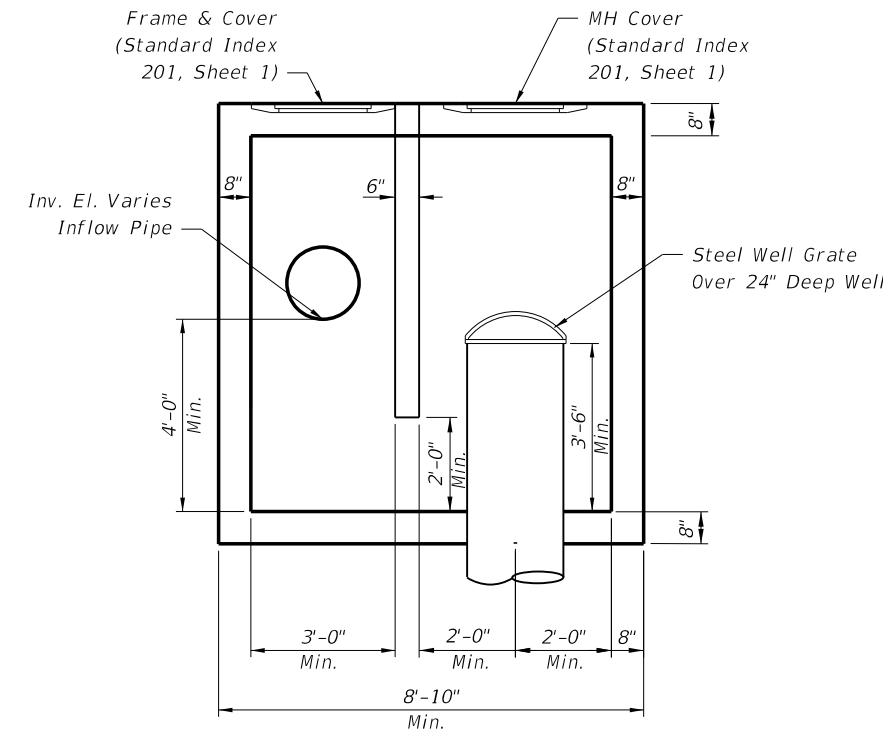
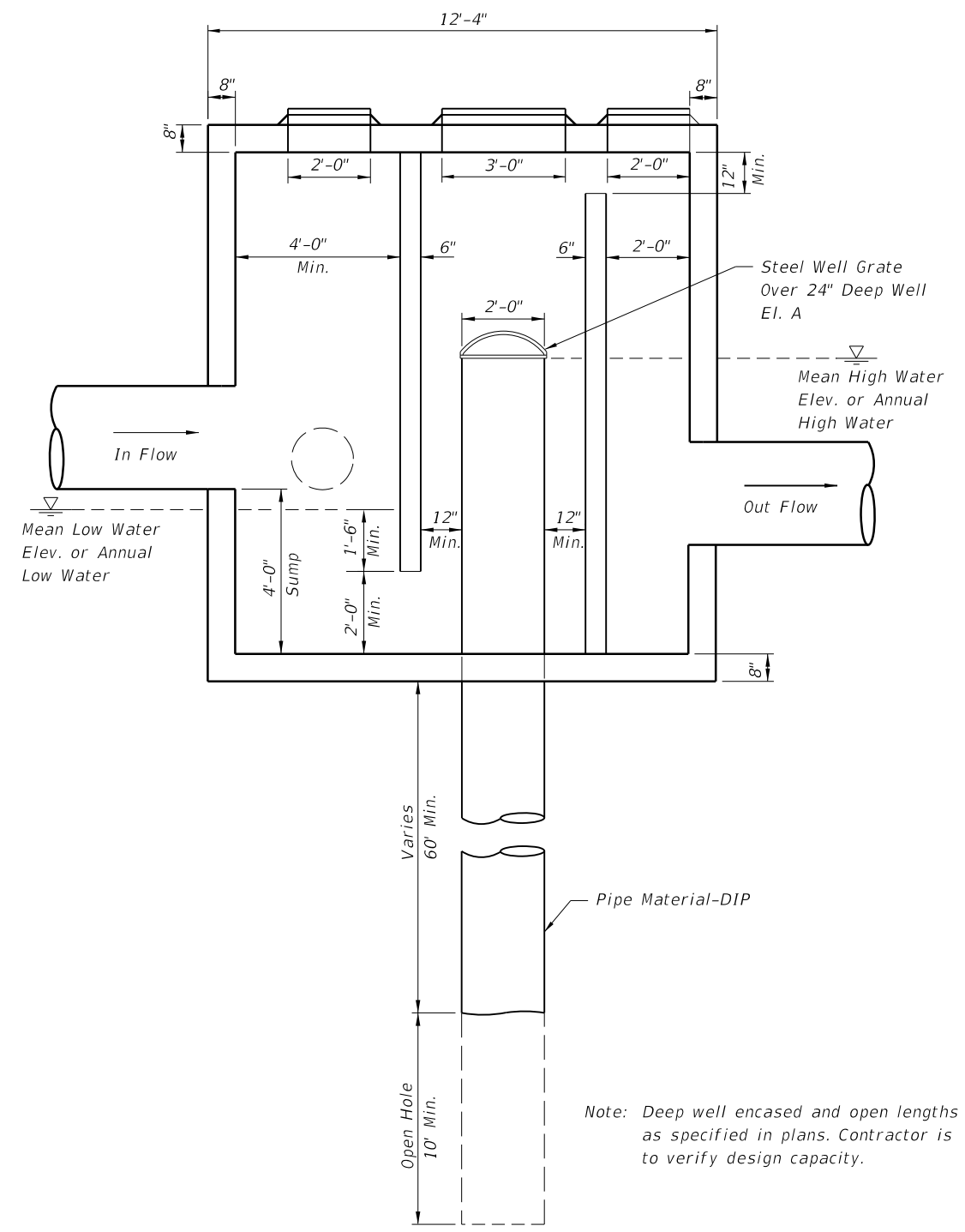


TOP SLAB PLAN



SECTION A-A

STRUCTURE WITH NO OUTFLOW



SPECIAL MANHOLE STRUCTURE
DETAIL WITH OUTFALL


Design Notes

1. Depth of Casing Varies, 60' min.
2. Depth of Open Hole, 10'-20'.
3. Actual Size Of The Inflow And Outflow Chambers Will Be Determined By The Size Of The Pipes (Refer To Table 3 Of Index 200.) The Width Of The Box Shall Be Constant Based On The Largest Pipe. The Length Is To Be Adjusted Based On Size and Orientation Of The Pipes.

24" STEEL WELL GRATE

Heavy duty "bee hive" grate
 Openings: 1-1/2" maximum
 Total Opening: 1.7 sq ft minimum
 For 24" well, outer diameter = 29"
 Steel well grate to be installed over 24" deep well.
 Steel grate to be hot dipped galvanized after fabrication, see Specification Section 962.

C:\projects\standards\roadway\00200-s\00288-01.dgn
 sm970re
 5:02:38 PM
 6/24/2013

LAST REVISION	07/01/13	DESCRIPTION:	 FDOT 2014 DESIGN STANDARDS	DEEP WELL INJECTION BOX	INDEX NO. 288	SHEET NO. 1 of 1
---------------	----------	--------------	---	--------------------------------	-------------------------	----------------------------