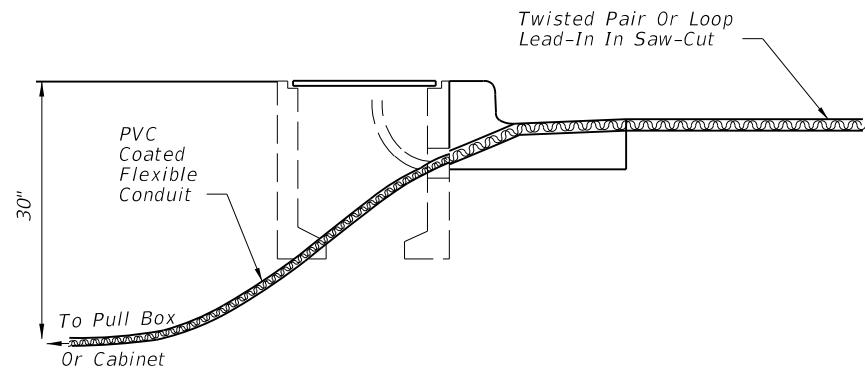


**TWISTED PAIR AND LOOP LEAD-IN
INSTALLATION WITH CURB & GUTTER**

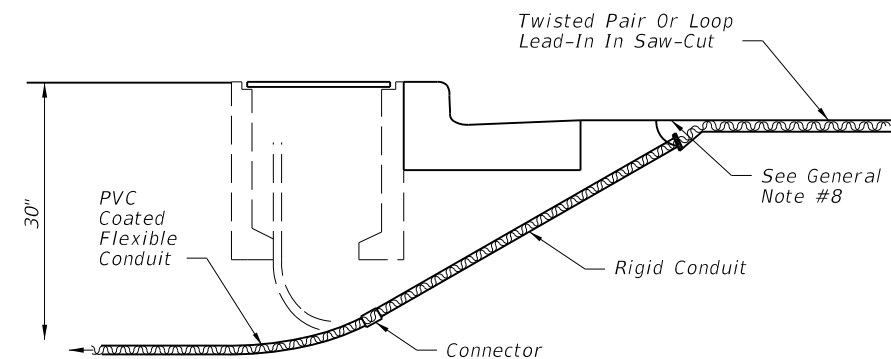
ALTERNATIVE 1

Drill A Hole Through The Curb At The Point Which The Required Saw-Cut Depth Is Obtained Just Prior To Cutting The Top Inside Edge Of The Curb. Slide A Section Of Flexible Conduit At Least 6" Into The Hole From The Back Side Of The Curb But Not Within 2" Of The Top Of The Hole. The Conduit Shall Fit Snug Within The Drilled Hole. Fill The Top Of The Hole With Loop Sealant To The Level Of The Curb Surface. A Nonmetallic Material Should Be Used To Prevent Excessive Loop Sealant From Entering The Flexible Conduit.



ALTERNATIVE 2

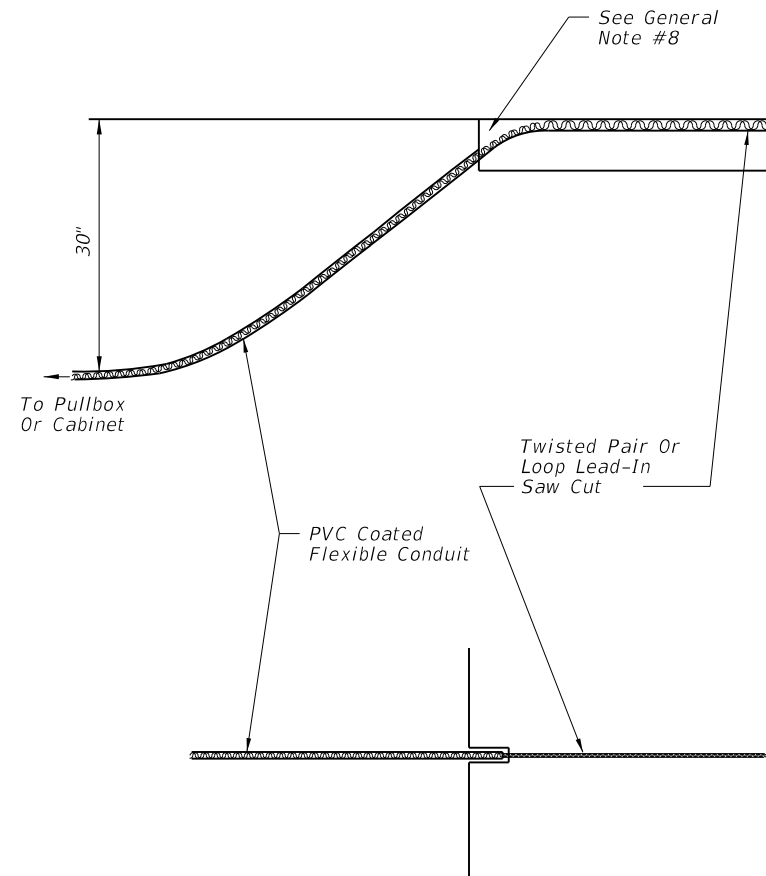
Drill A Hole 1/2" To 1" Larger In Diameter Than The Rigid Conduit To Be Used Through The Roadway Asphalt (Or Concrete) Surface And Base At An Appropriate Angle To Intercept The Trench Or Pull Box Hole. Place A Predetermined Length Of Rigid Conduit In The Hole And Drive The Conduit Into The Trench Or Hole. Install A Molded Bushing (Nonmetallic) On The Roadway End Of The Rigid Conduit. The Top Of The Rigid Conduit Shall Be Approximately 2" Below The Roadway Surface. Fill The Hole With Loop Sealant To The Level Of The Roadway Surface. A Nonmetallic Material Should Be Used To Prevent Excessive Loop Sealant From Entering The Rigid Conduit.



NOTE:
Other alternatives may be approved by the State Traffic Operations Engineer.

**TWISTED PAIR AND LOOP LEAD-IN
INSTALLATION WITHOUT CURB & GUTTER**

Cut A Slot In The Edge Of The Roadway Of Sufficient Size And Depth To Snugly Place The End Of The Flexible conduit. The End Of The Conduit Shall Be At Least 6" Into The Roadway And approximately 2" Below The Top Of The Roadway Surface. The Departure Angle Of The Conduit From The Roadway Shall Be 30° To 45°.




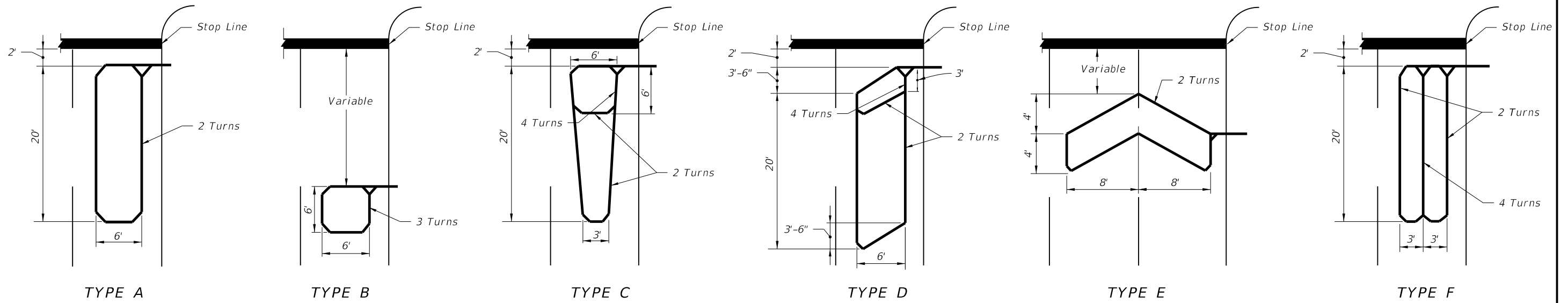
NOTE:
Other alternatives may be approved by the State Traffic Operations Engineer.

GENERAL NOTES

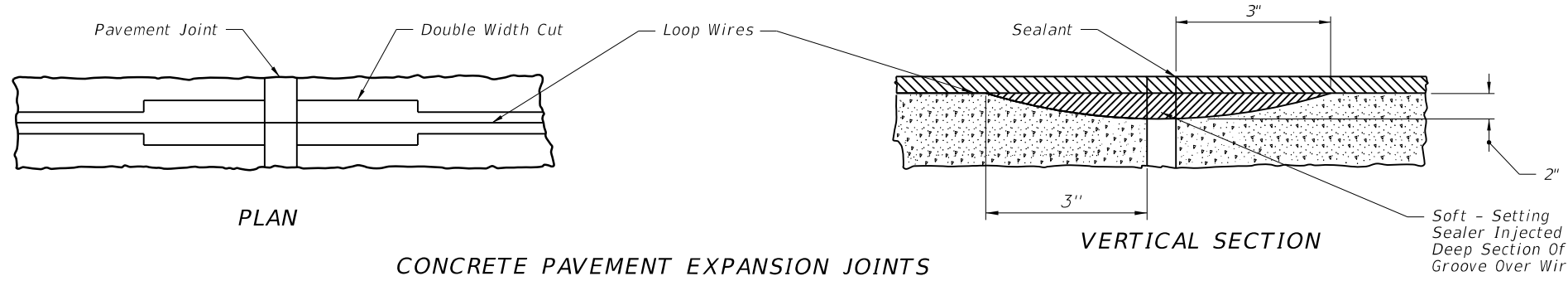
1. If the loop lead-in is 75' or less from the edge of the loop detector to controller cabinet, continue the twisted pair to the cabinet. If the loop lead-in is greater than 75' continue the twisted pair to the specified pullbox, splice to shielded lead-in wire and continue to the controller cabinet.
2. The width of all saw cuts shall be sufficient to allow unforced placement of loop wires or lead-in cables into the saw cut. The depth of all saw cuts, except across expansion joints, shall be 3" standard with a maximum of 4".
3. On resurfacing or new roadway construction projects, the loop wires and lead-in cables may be installed in the asphalt structural course prior to the placement of the final asphalt wearing course. The loop wires and lead-in cables shall be placed in a saw cut in the structural course. The depth of the cables below the top of the final surface shall comply with note 2.
4. A nonmetallic hold down material shall be used to secure loop wires and lead-ins to the bottom of saw-cuts. Hold down material shall be placed at approximately 12" intervals around loops and 24" intervals on lead-ins.
5. The minimum distance between the twisted pairs of loop lead-in wire is 6" from the loop to 12" from the pavement edge or curb.
6. Splice Connections in pull boxes with UL listed, watertight, insulated enclosures. Place one enclosure over the end of each conductor and place a third enclosure over the exposed end of the shielded cable.
7. As an alternate, a larger diameter enclosure that will accommodate both the splices of the conductors and the exposed end of the shielded cable may be used.
8. The maximum area of asphalt to be disturbed shall be 6"x 6". This area shall be restored as directed by the Engineer.

C:\projects\standards\roadway\17700-s\17781-01.dgn
6/28/2012 12:35:31 PM rd960/h

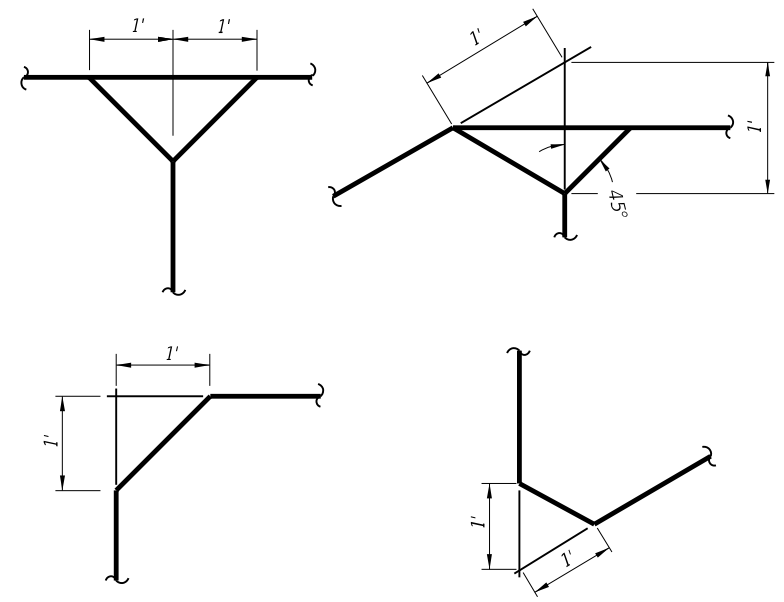
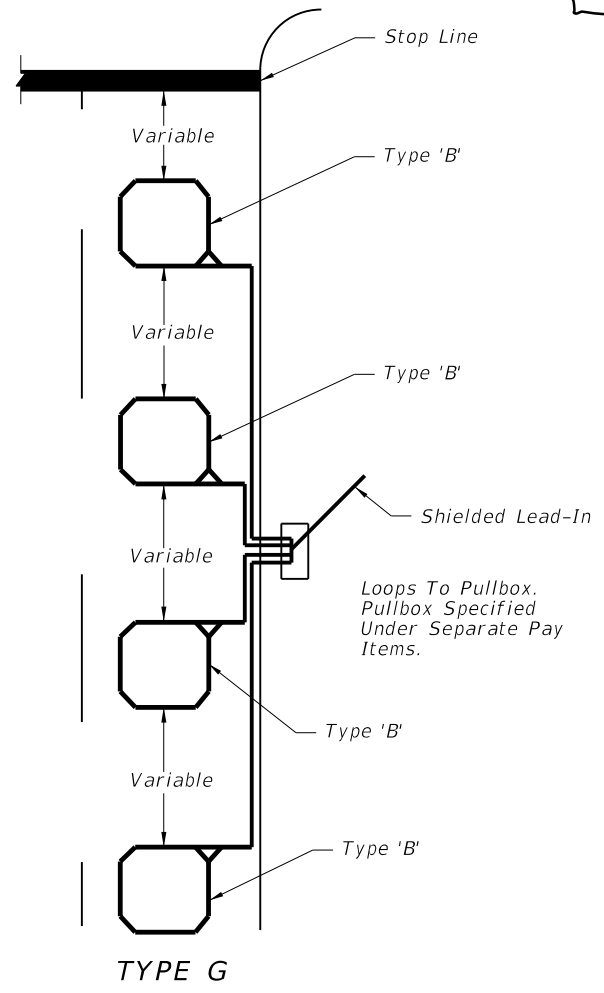
LAST REVISION	07/01/02	DESCRIPTION:		FDOT DESIGN STANDARDS 2013	VEHICLE LOOP INSTALLATION DETAILS	INDEX NO.	17781	SHEET NO.	1
---------------	----------	--------------	---	---------------------------------------	--	-----------	-------	-----------	---



Note:
Loop conductors must follow saw-cut to bottom forming slack section at joint.



CONCRETE PAVEMENT EXPANSION JOINTS



LOOP CORNER AND LEAD-IN DETAILS

- Notes:
1. The "number of turns" indicated at the specified point on the loop refers to the number of passes of loop wires which are placed in the saw-cut forming the complete loop.
 2. Loop types or details not drawn to scale.
 3. Loop Types are centered in a single lane except Type E which is centered on two lanes.
 4. The number of individual loops in the Type G loop may vary up to a maximum of four (4).
 5. Lead-in may be connected to either end of loop.
 6. The leading edge of loop Types A,C,D,& F may extend past the stop line a maximum of 10'. The length of these loops may be extended to a maximum of 60'. Each intersection should be individually designed and if the modifications noted above is required it must be noted or detailed in the plans.
 7. Loop lead-in wires should not be installed in the same pull box with signal power cable.

6/28/2012 12:35:34 PM rd9607h C:\projects\standards\roadway\17700-s\17781-02.dgn

LAST REVISION 07/01/00	DESCRIPTION:		FDOT DESIGN STANDARDS 2013	VEHICLE LOOP INSTALLATION DETAILS	INDEX NO. 17781	SHEET NO. 2