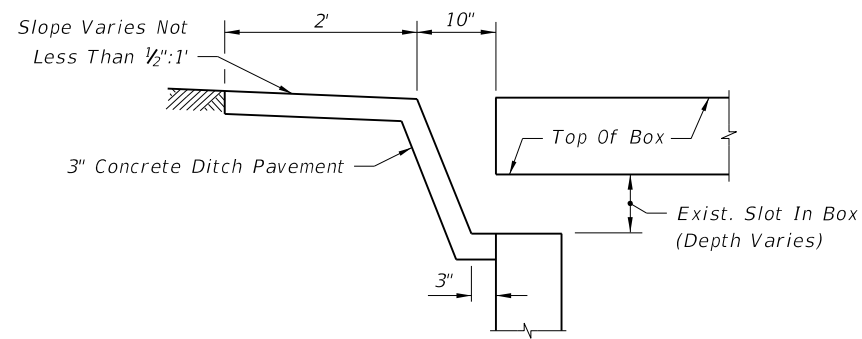
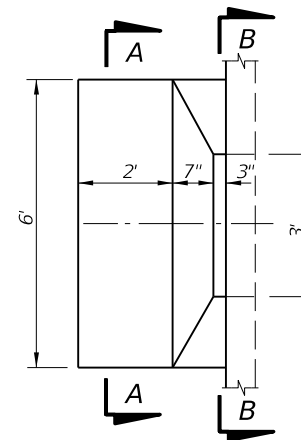


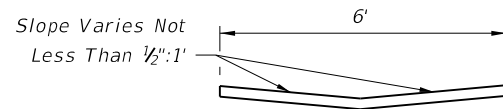
C:\projects\standards\roadway\02200-s\02293-01.dgn  
 6/28/2012 9:36:57 AM rd9607h



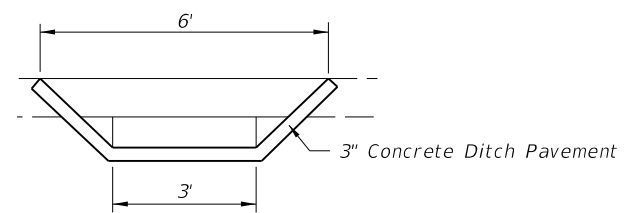
LONGITUDINAL SECTION



PLAN



SECTION AA



SECTION BB

SAFETY MODIFICATION FOR INLETS IN BOX CULVERTS

LAST REVISION 07/01/07	REVISION DESCRIPTION:	 FDOT DESIGN STANDARDS 2013	SAFETY MODIFICATIONS FOR INLETS IN BOX CULVERTS	INDEX NO. 293	SHEET NO. 1
---------------------------	-----------------------	---	--	------------------	----------------