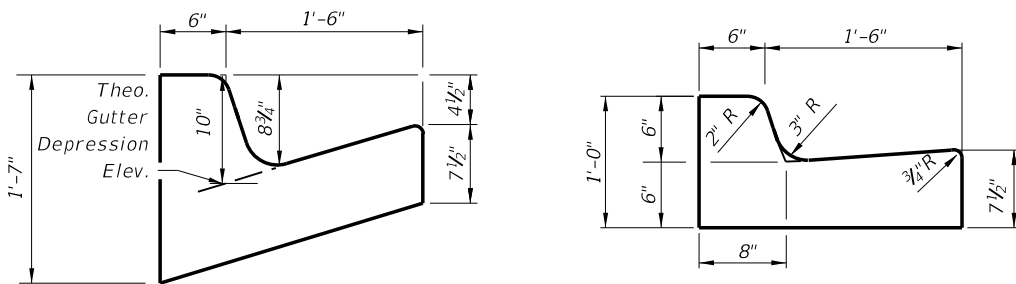
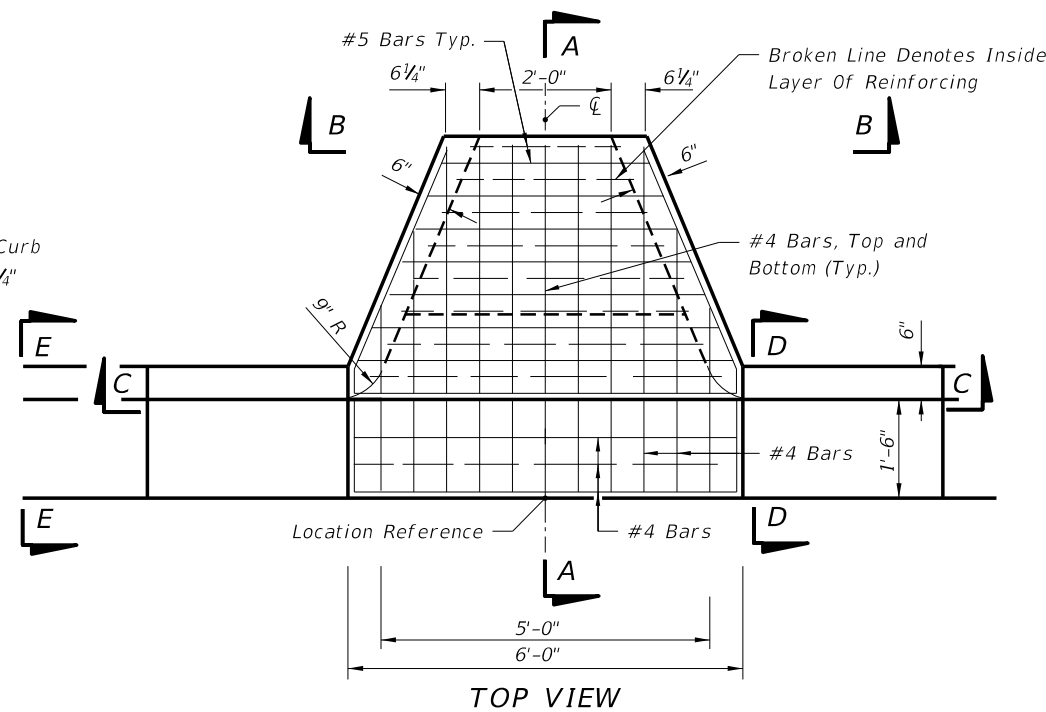


SECTION AA

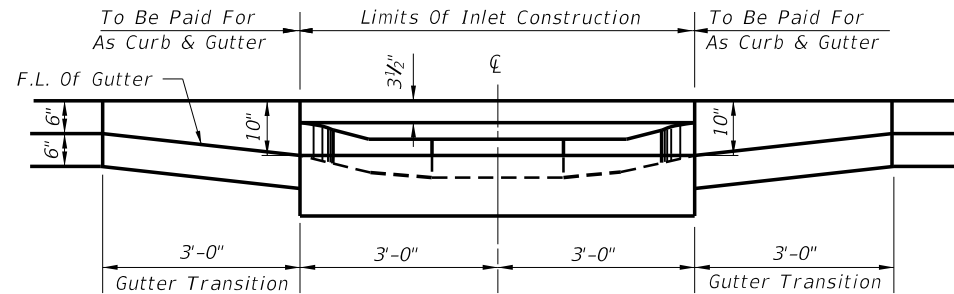


SECTION DD

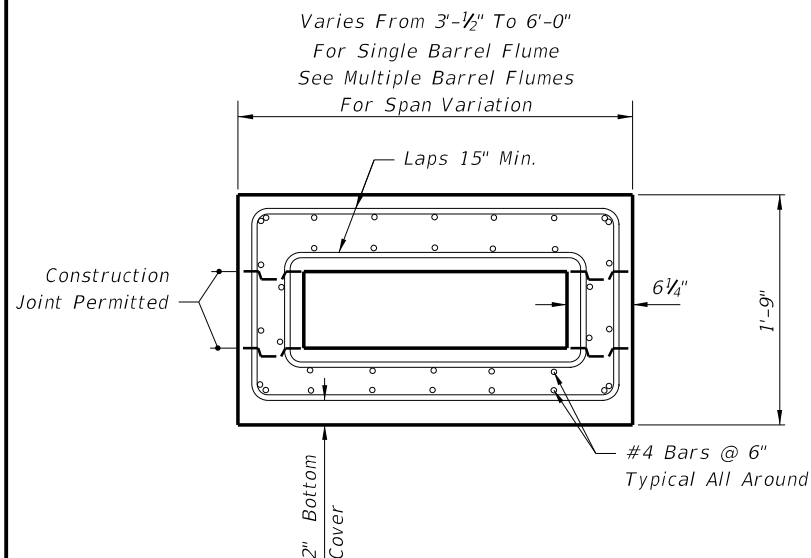
Curb And Gutter Type F
SECTION EE



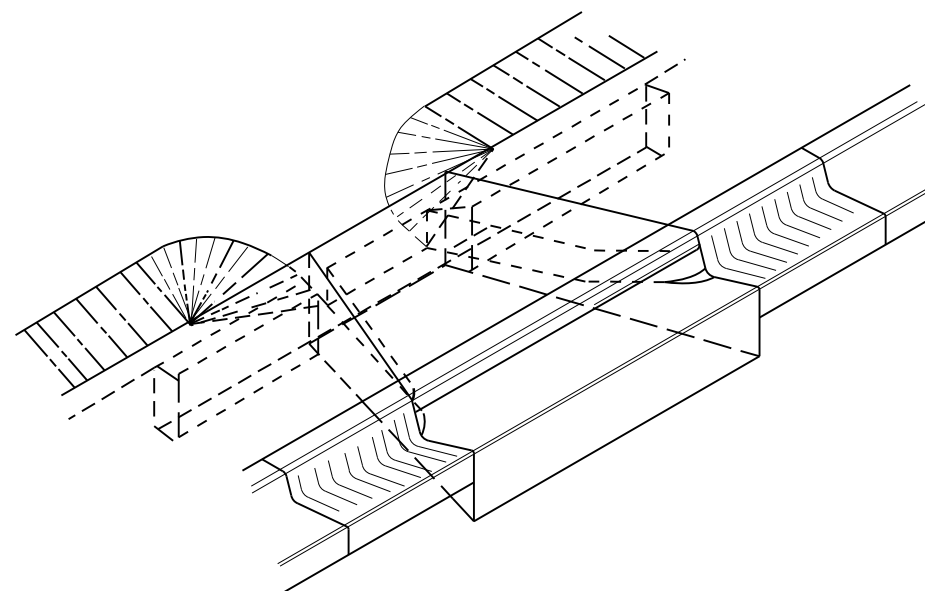
TOP VIEW



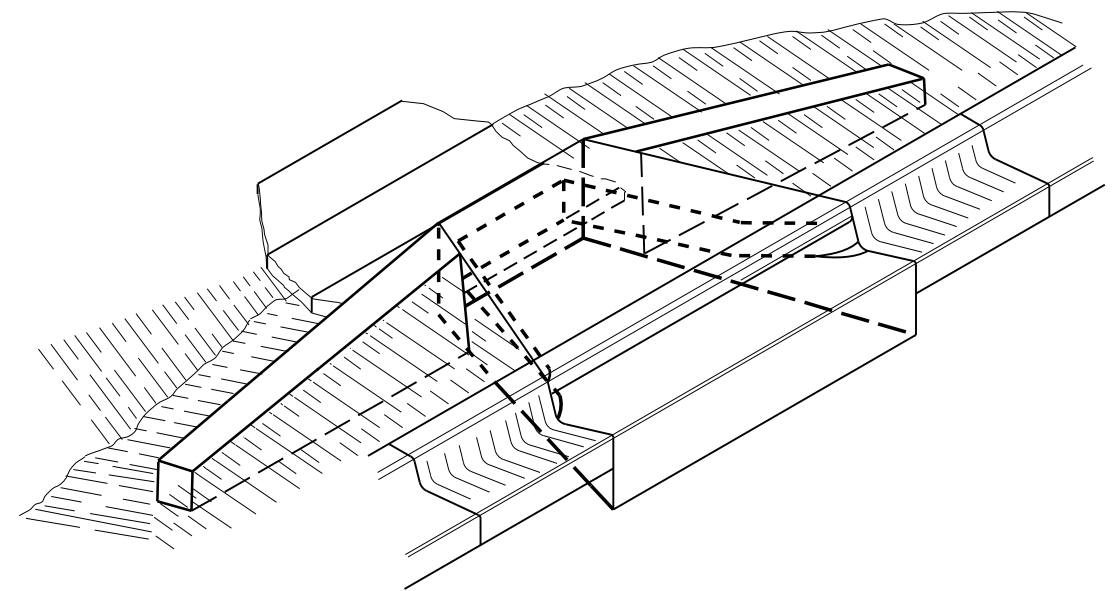
SECTION CC
SINGLE BARREL FLUME



SECTION BB



SINGLE BARREL FLUME DEPICED
FLUME W/SIDEWALK INLET (CLOSED FLUME) TYPE I



SINGLE BARREL FLUME DEPICED
FLUME W/O SIDEWALK INLET (CLOSED FLUME) TYPE II

GENERAL NOTES

1. The finished grade and slope of the inlet top are to conform with the finished cross slope and grade of the proposed sidewalk and/or border.
2. When inlets are to be constructed on a curve, refer to the plans to determine the radius and, where necessary, modify the inlet details accordingly. Bend steel when necessary.
3. All steel shall have 1 1/4" minimum cover unless otherwise shown. Inlets can be either cast-in-place or precast concrete. Chamfer all exposed edges 3/4".
4. All reinforcement is ASTM A615/A615M Grade 60 steel, either smooth or deformed. Equivalent area grade 40 steel or 65 ksi welded wire fabric may be substituted.
5. Inlets to be paid for under the contract unit price for Inlets (Closed Flume) EA.

DESIGN NOTES

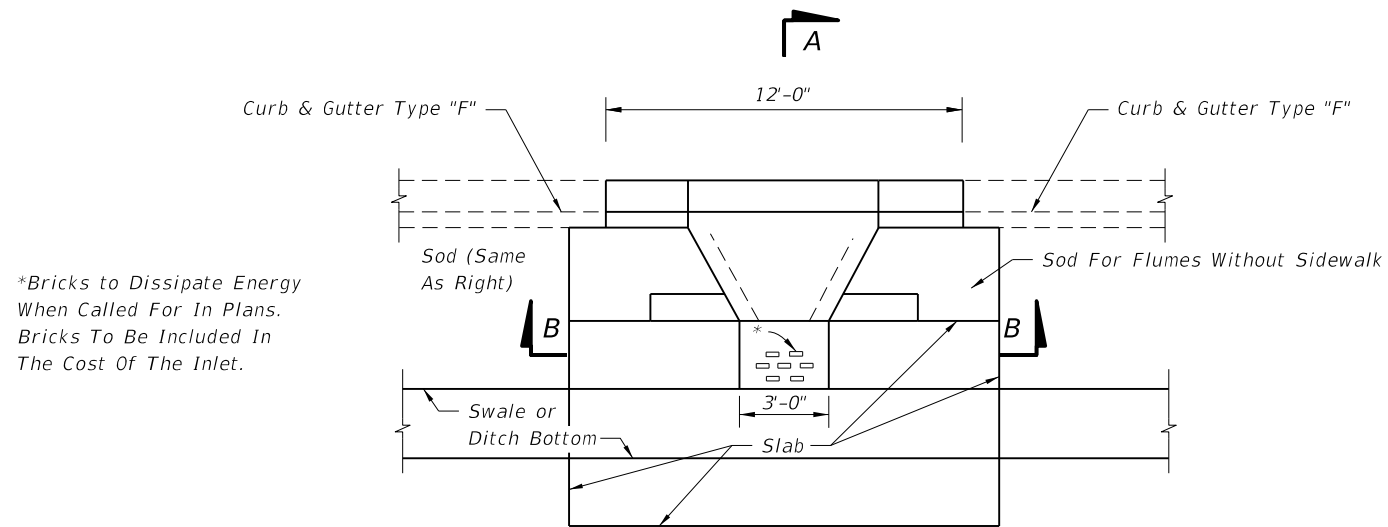
1. These inlets are designed for use with Type F curb and gutter only. Locate inlet outside of curb ramp area.

The Single Barrel Flume is intended for locations with light to moderate flows. Multiple Barrel Flumes must be selected to meet design heavy flows.
2. Designer must specify Flume Type, "D" dimension, number of barrels and guiderail requirements in plans.
3. Designer must specify where energy dissipating bricks are required.

C:\projects\standards\roadway\0200-s\0216-01.dgn
rd960rh
7:19:52 AM
6/28/2012

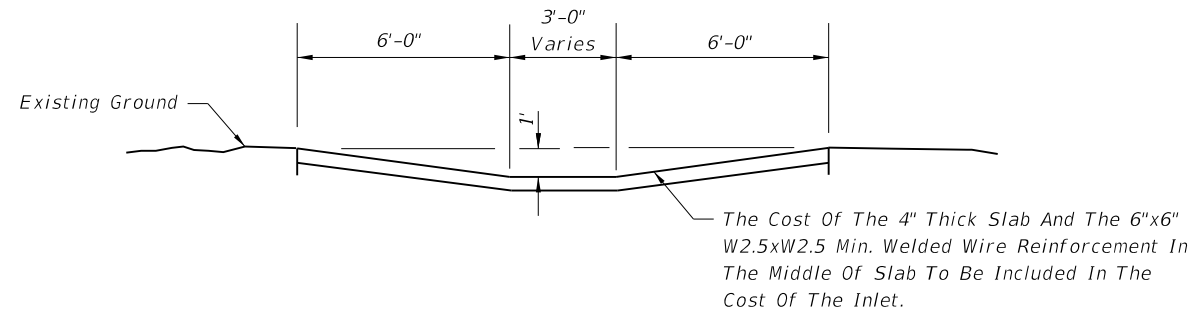
LAST REVISION	DESCRIPTION:	 FDOT DESIGN STANDARDS 2013	CLOSED FLUME INLET	INDEX NO.	SHEET NO.
07/01/07				216	1

C:\projects\standards\roadway\02200-s\02216-02.dgn
 rd960r/h
 7:19:54 AM
 6/28/2012

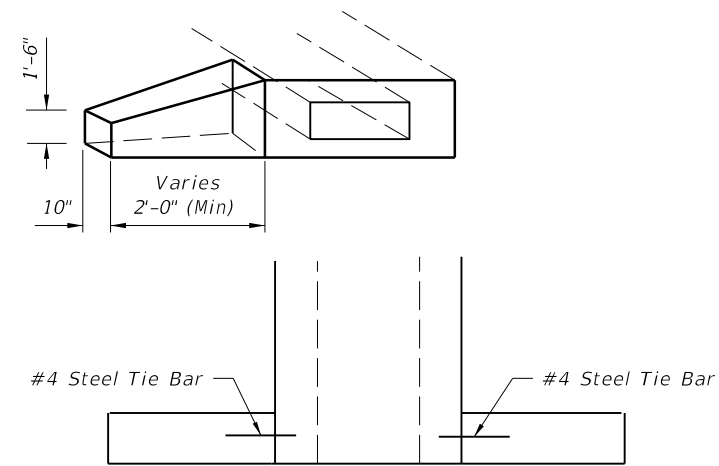


*Bricks to Dissipate Energy When Called For In Plans. Bricks To Be Included In The Cost Of The Inlet.

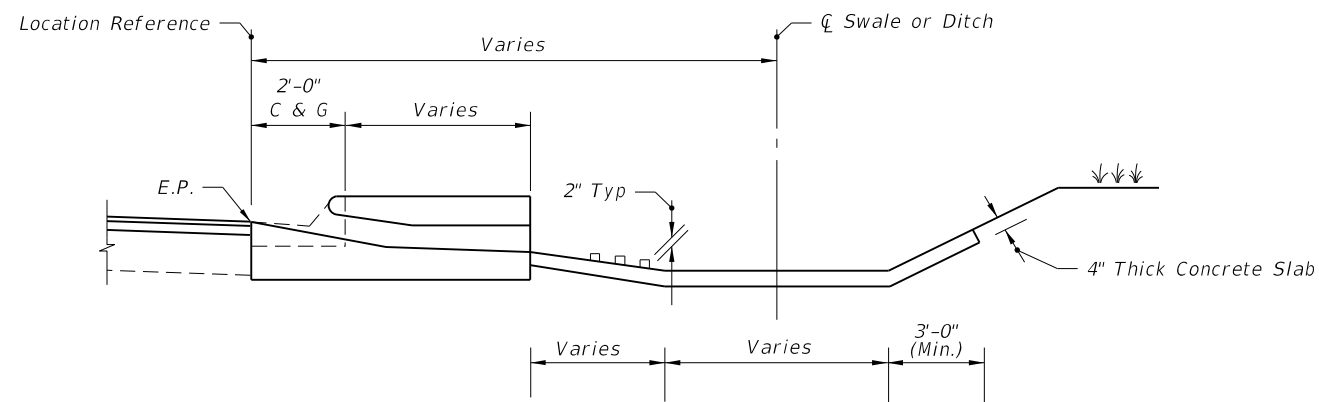
SINGLE BARREL FLUME DEPICTED
 PLAN



SINGLE BARREL FLUME DEPICTED
 SECTION BB

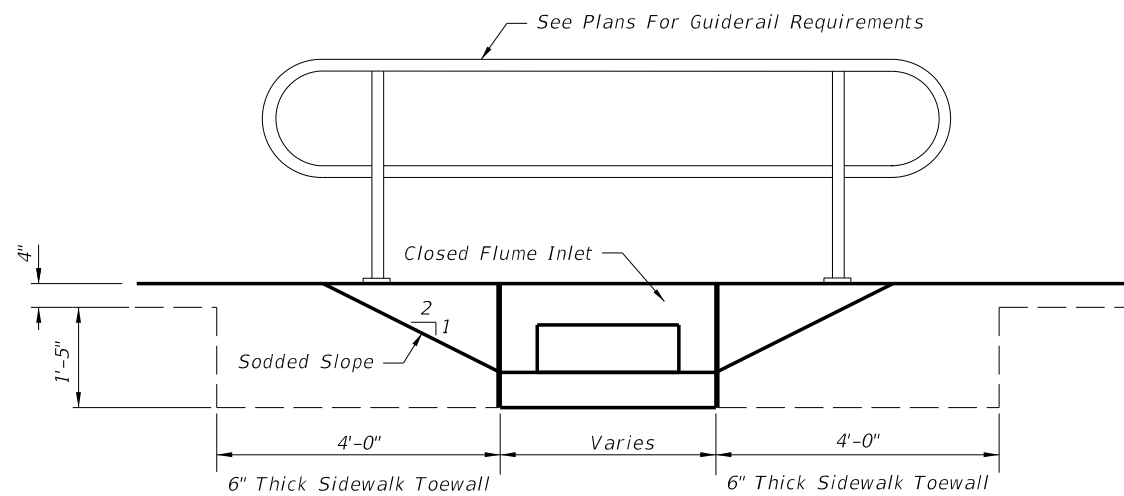


SINGLE BARREL FLUME DEPICTED
 ENDWALL



SECTION AA

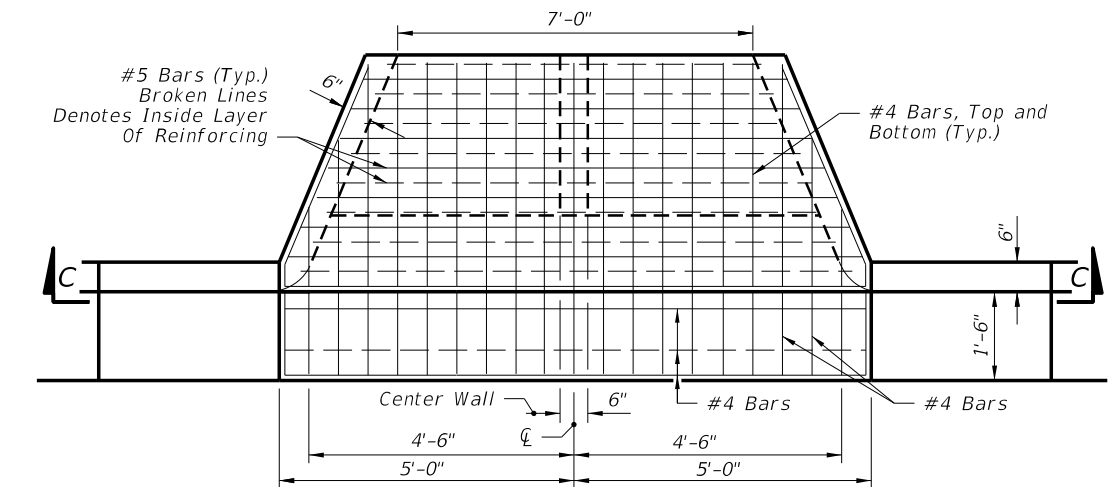
SLOPES, DITCH APRON AND ENDWALLS



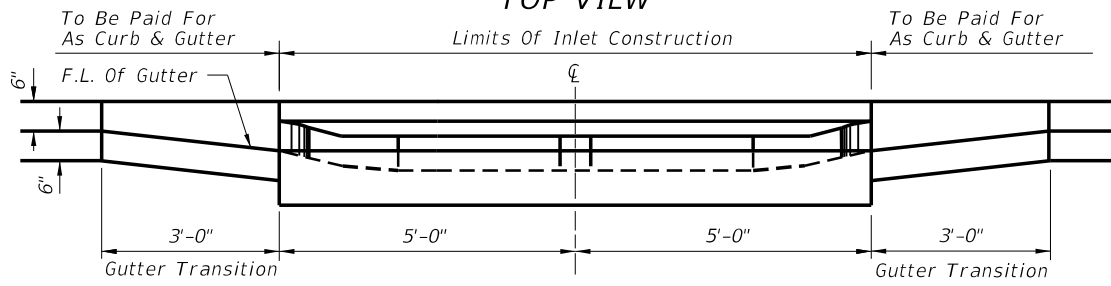
SINGLE BARREL FLUME DEPICTED
 ELEVATION

GUIDERAIL FOR FLUME IN SIDEWALK

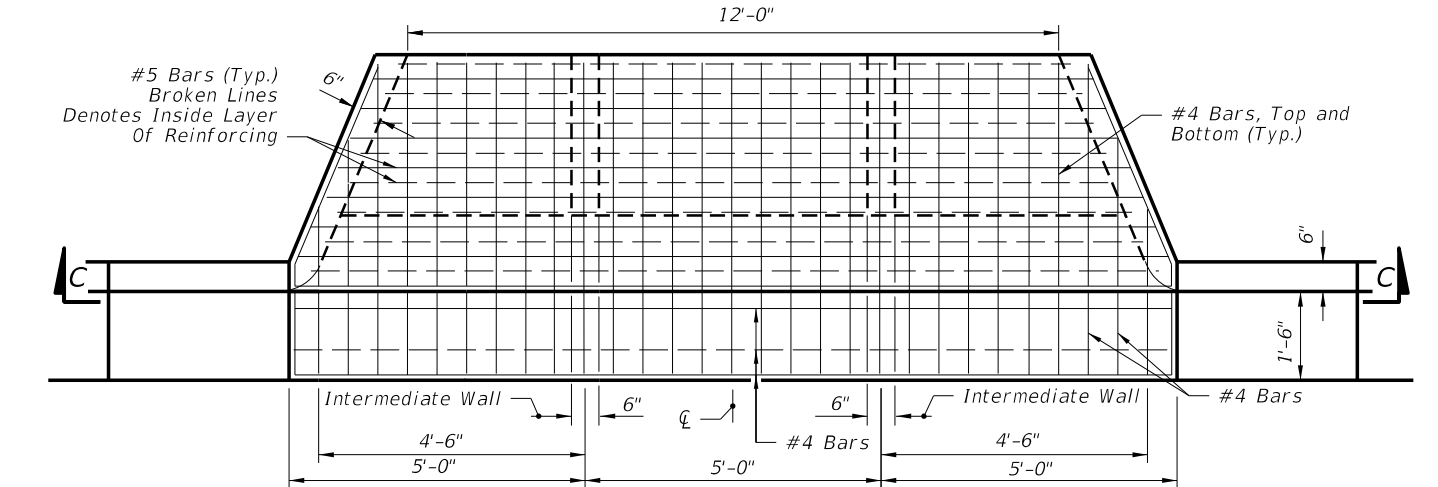
LAST REVISION	DESCRIPTION:	 FDOT DESIGN STANDARDS 2013	CLOSED FLUME INLET	INDEX NO.	SHEET NO.
07				216	2



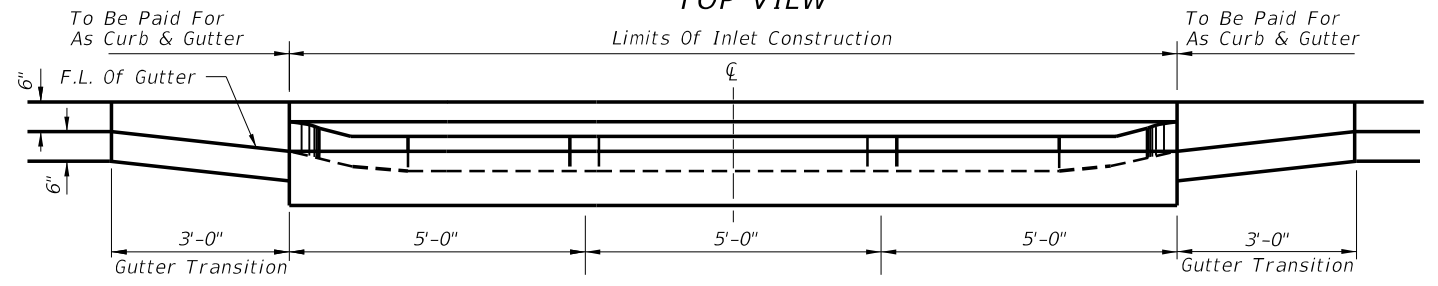
TOP VIEW



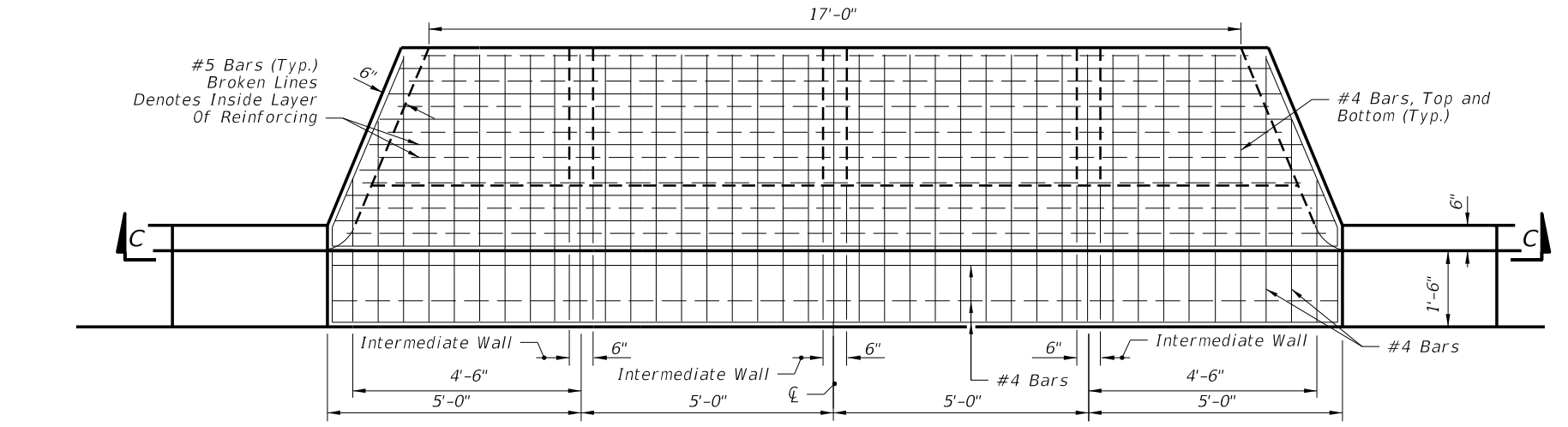
SECTION CC
DOUBLE BARREL FLUME



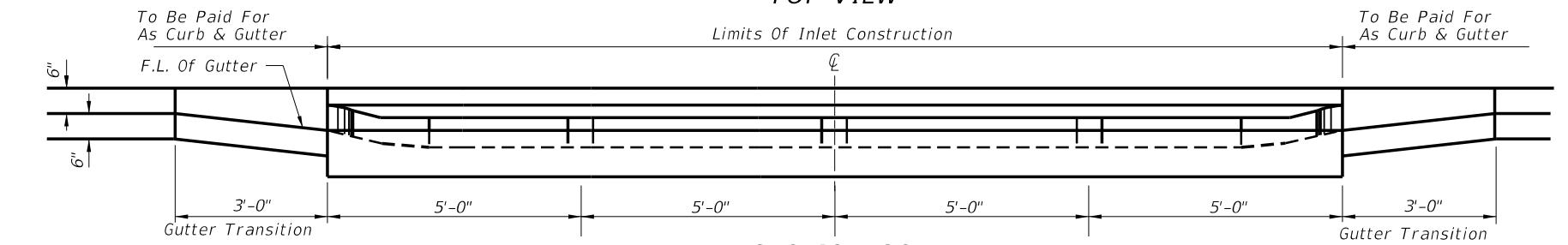
TOP VIEW



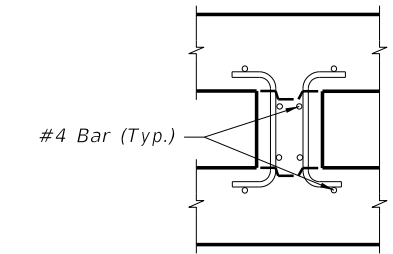
SECTION CC
TRIPLE BARREL FLUME



TOP VIEW



SECTION CC
QUADRUPLE BARREL FLUME



INTER-WALL REINFORCING

NOTE: See Single Barrel Flume For Base Dimensions.

6/28/2012 7:19:56 AM rd960rh C:\p\projects\standards\roadway\02200-s\00216-03.dgn

LAST REVISION	REVISION	DESCRIPTION:		FDOT DESIGN STANDARDS 2013	CLOSED FLUME INLET	INDEX NO. 216	SHEET NO. 3
02							