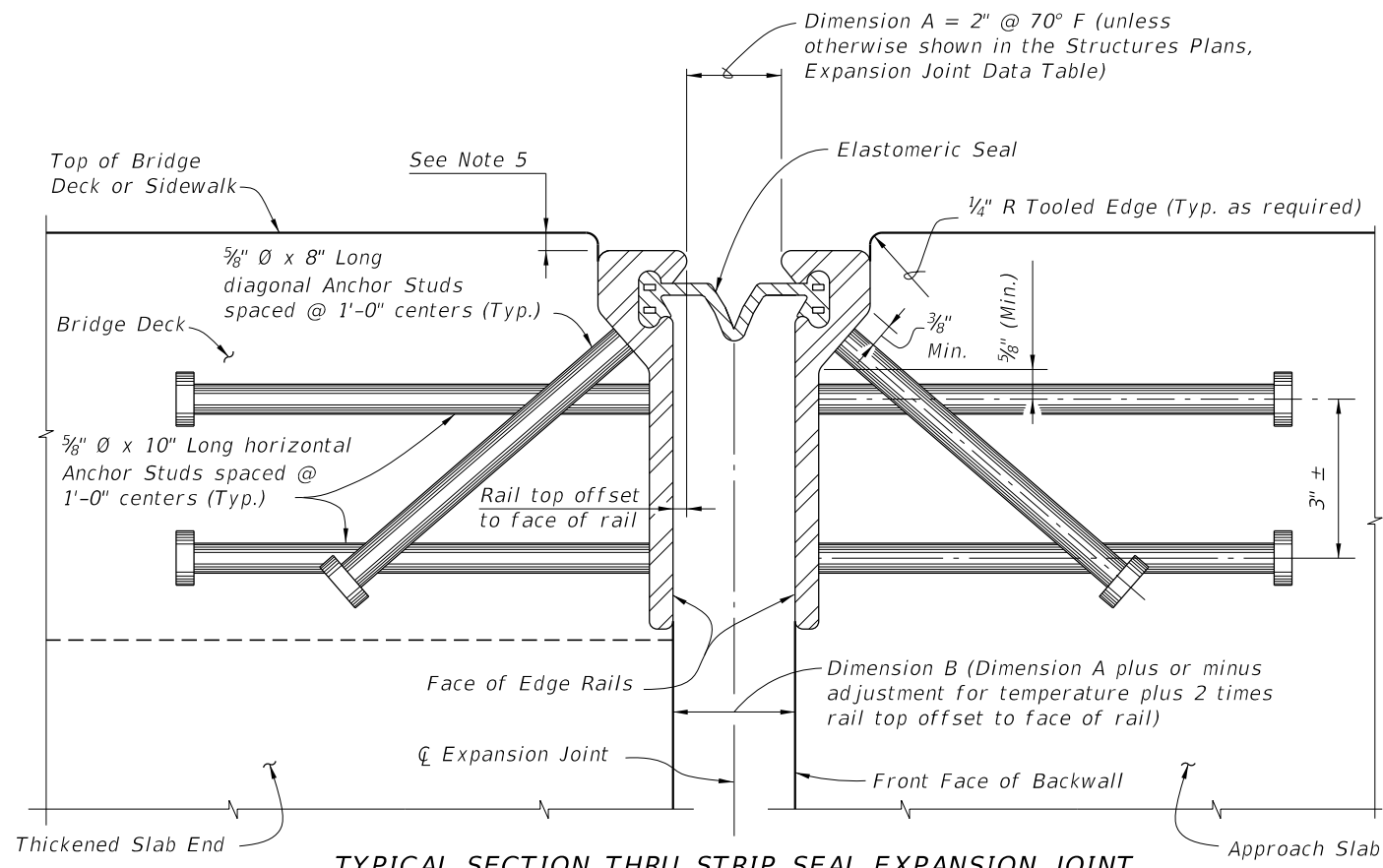
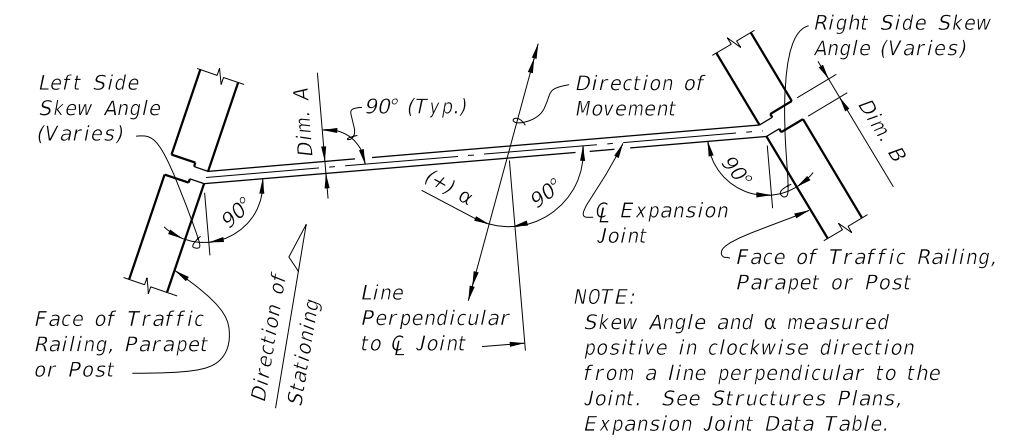


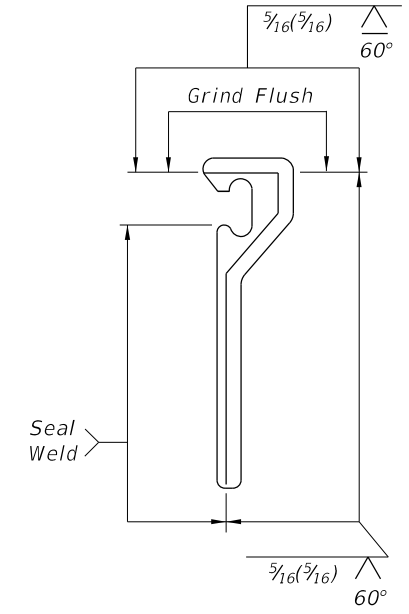
12/30/2011 8:22:36 AM rd960rh C:\projects\standards\structures\current\read\4release\2012book_draft\21100-1of3.dgn



TYPICAL SECTION THRU STRIP SEAL EXPANSION JOINT
 (Begin or End Concrete Girder Bridge shown, Intermediate Supports and Steel Girder Bridge similar. Reinforcing Steel and Girder details not shown for clarity.)




MOVEMENT SCHEMATIC



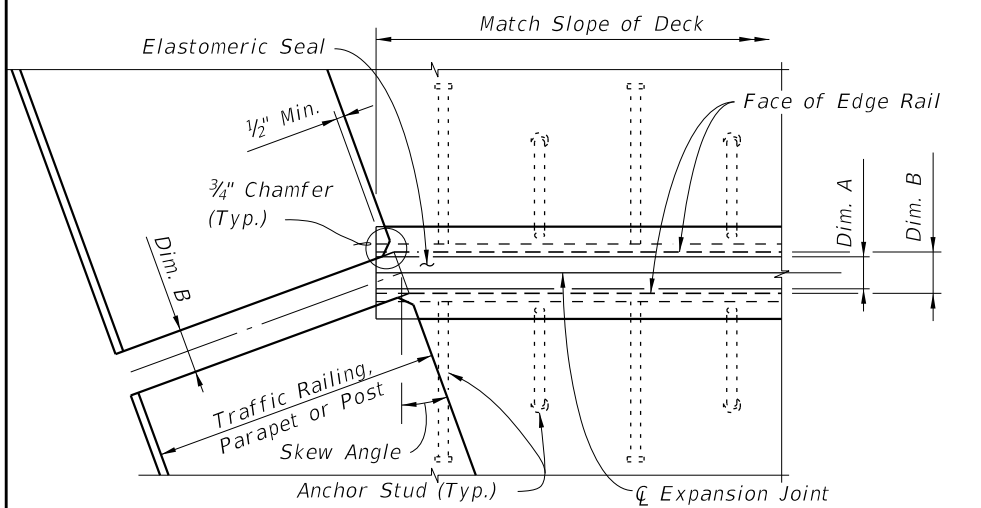
SHOP SPLICE DETAIL

GENERAL NOTES:

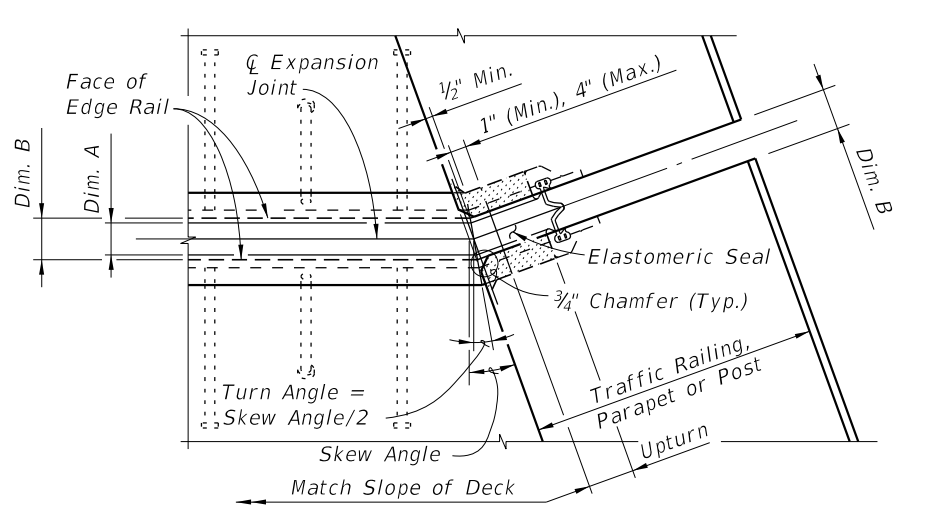
1. Furnish Strip Seal Expansion Joint Systems in accordance with Specification Section 458.
2. Shape of Edge Rail shown is representative, minor variations depending on manufacturer are permitted.
3. Recess the Edge Rail below the concrete surface in accordance with Specification Section 458.
4. Refer to Specification 458 and the Expansion Joint Data Table in the Structures Plans for installation and fabrication requirements and adjustments to Dimension A.

| | | | | | | | | | |
|---------------|----------|--------------|---|--|-----------------------------------|-----------|-------|-----------|---|
| LAST REVISION | 01/01/12 | DESCRIPTION: |  | FDOT DESIGN STANDARDS FY 2012/2013 | STRIP SEAL EXPANSION JOINT | INDEX NO. | 21100 | SHEET NO. | 1 |
|---------------|----------|--------------|---|--|-----------------------------------|-----------|-------|-----------|---|

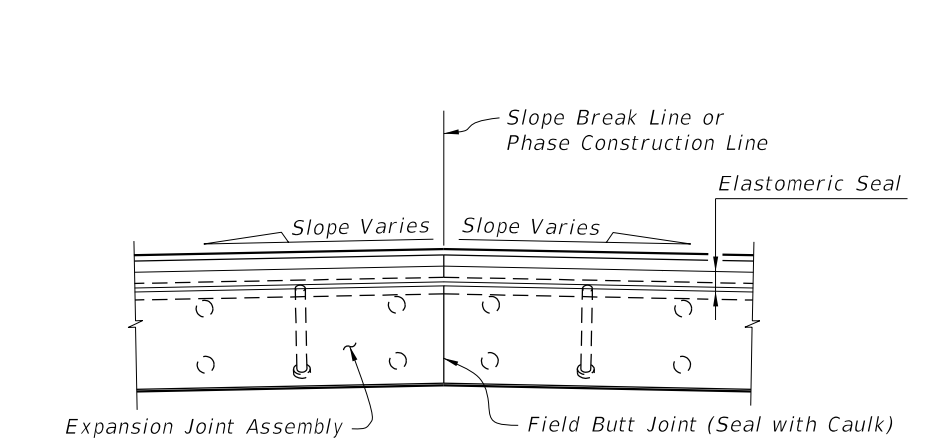
12/30/2011 8:22:37 AM rd960rh C:\projects\standards\structures\current\ready\4release_2012\book_draft\21100-2of3.dgn



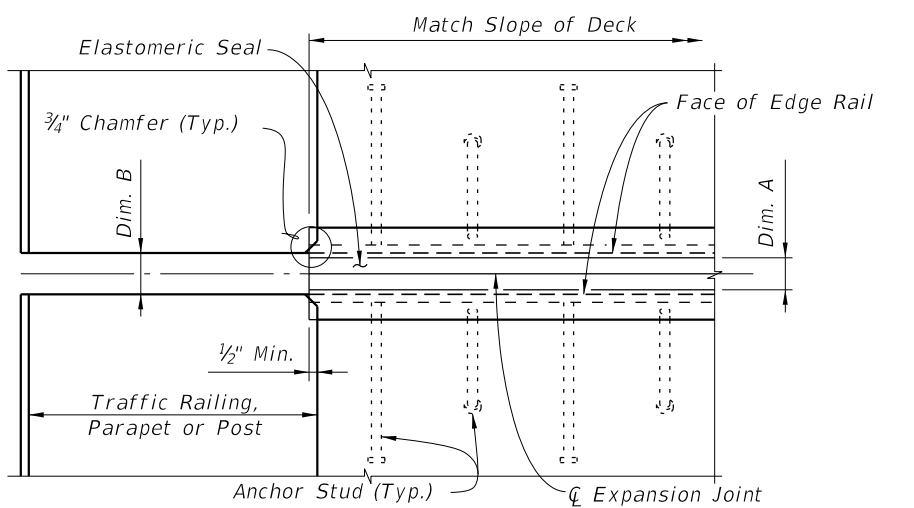
PARTIAL PLAN VIEW OF SKEWED JOINTS



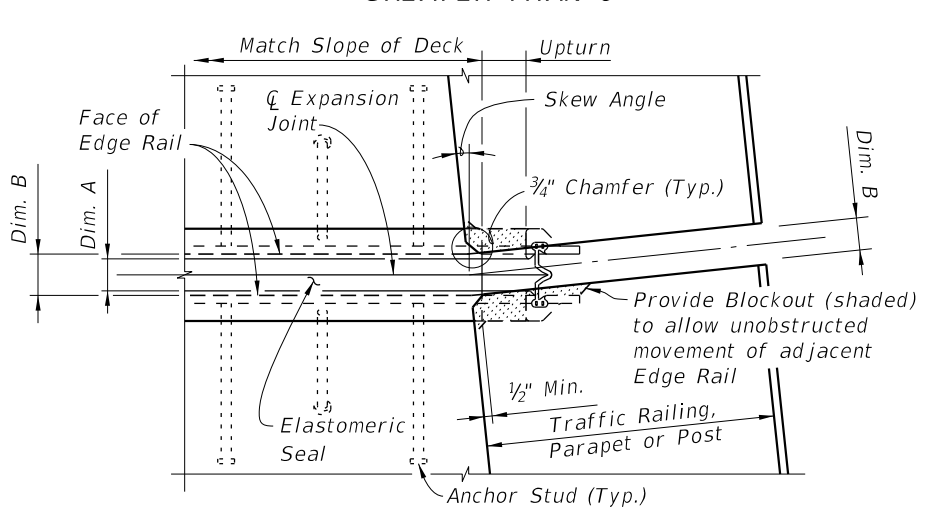
PARTIAL PLAN VIEW OF JOINTS SKEWED GREATER THAN 6°



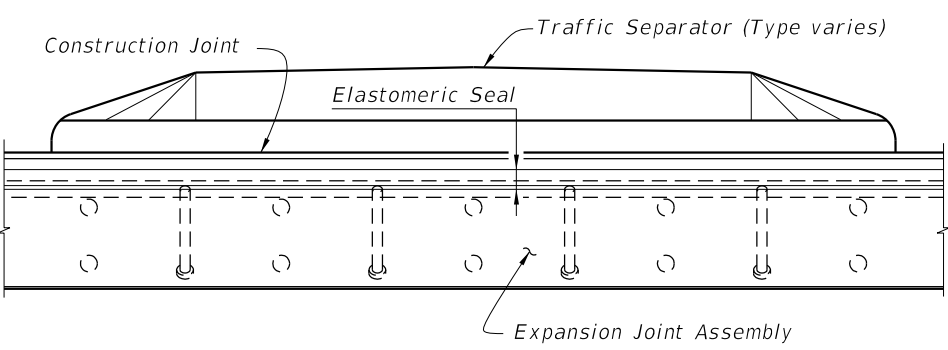
PARTIAL SECTION ALONG Q JOINT AT FIELD BUTT JOINT LOCATION (CROWNED DECK OR SLAB SHOWN)



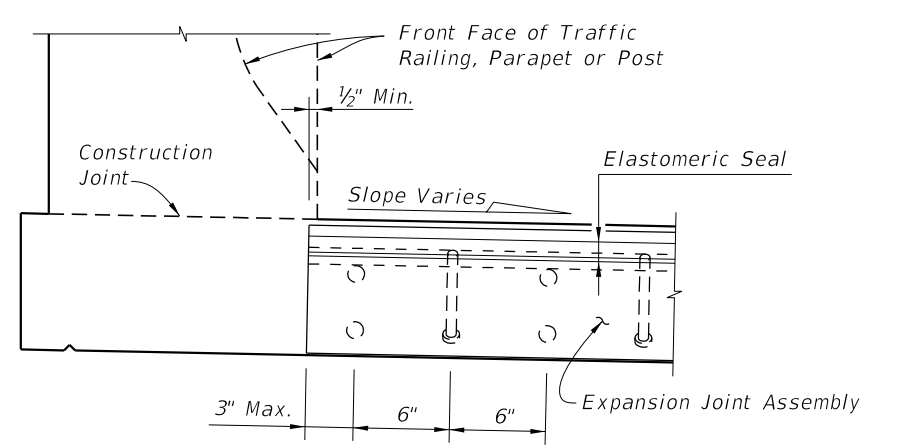
PARTIAL PLAN VIEW OF NONSKEWED JOINTS



PARTIAL PLAN VIEW OF NONSKEWED JOINTS & JOINTS SKEWED 6° OR LESS

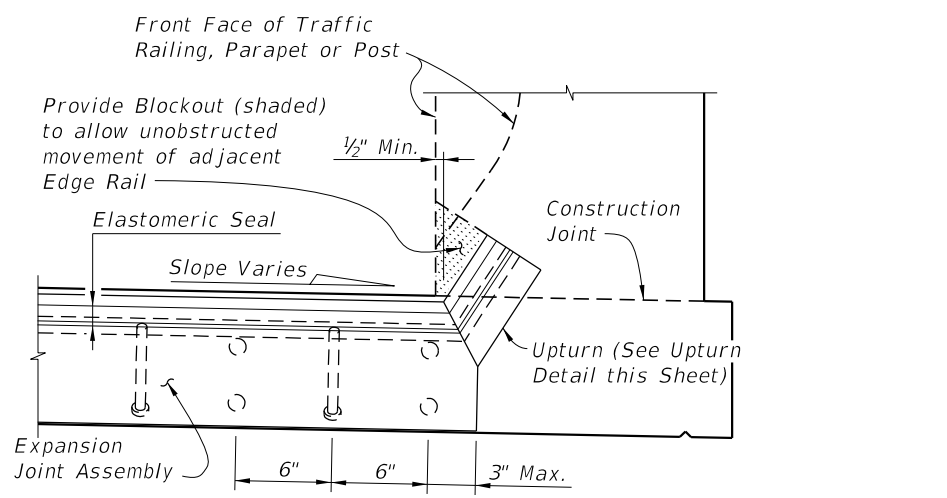


PARTIAL SECTION ALONG Q JOINT THRU TRAFFIC SEPARATOR



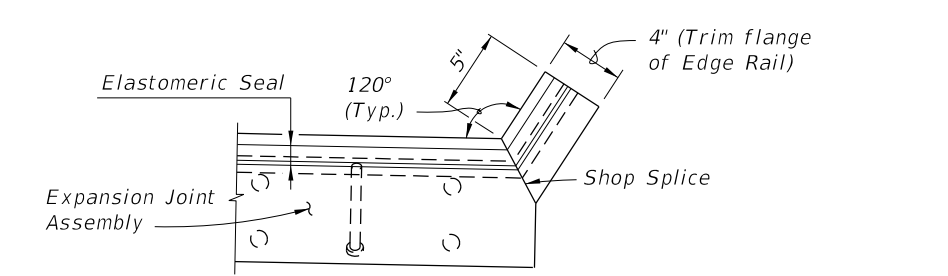
PARTIAL SECTION ALONG Q JOINT

JOINT TREATMENT AT HIGH SIDE OF DECK WITH SLOPE ≥ 2%
(Sidewalk Cover Plate where applicable not shown for clarity)



PARTIAL SECTION ALONG Q JOINT

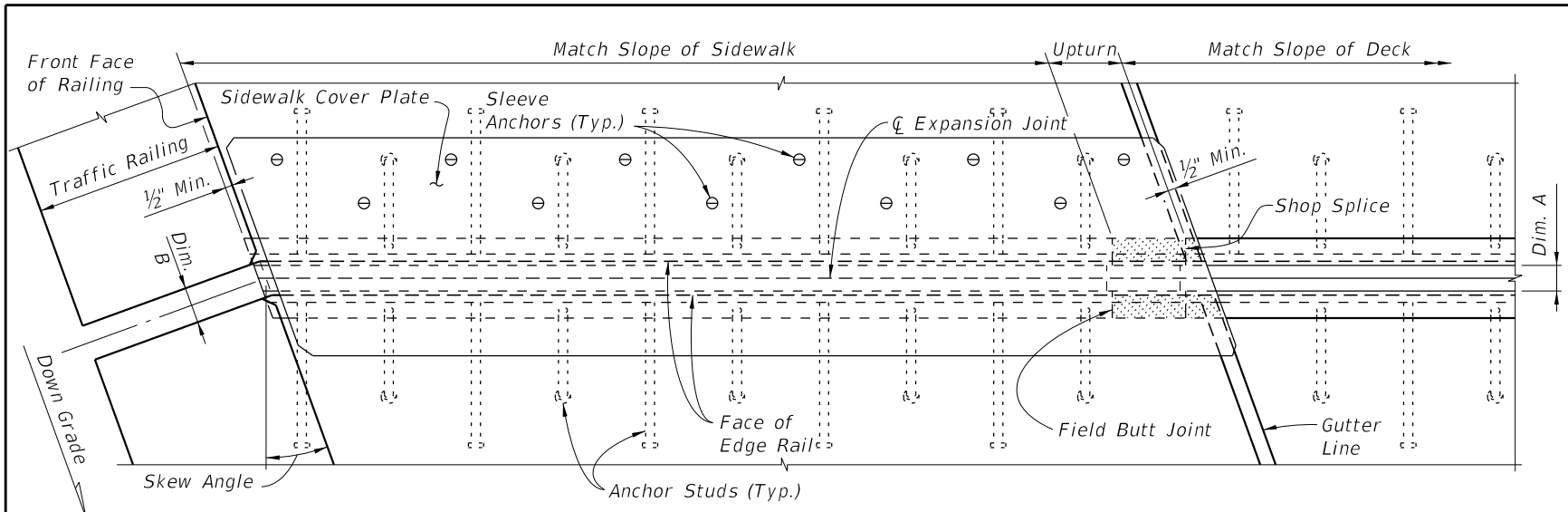
JOINT TREATMENT AT LOW SIDE OF DECK & HIGH SIDE OF DECK WITH SLOPE < 2%
(Sidewalk Cover Plate where applicable not shown for clarity)



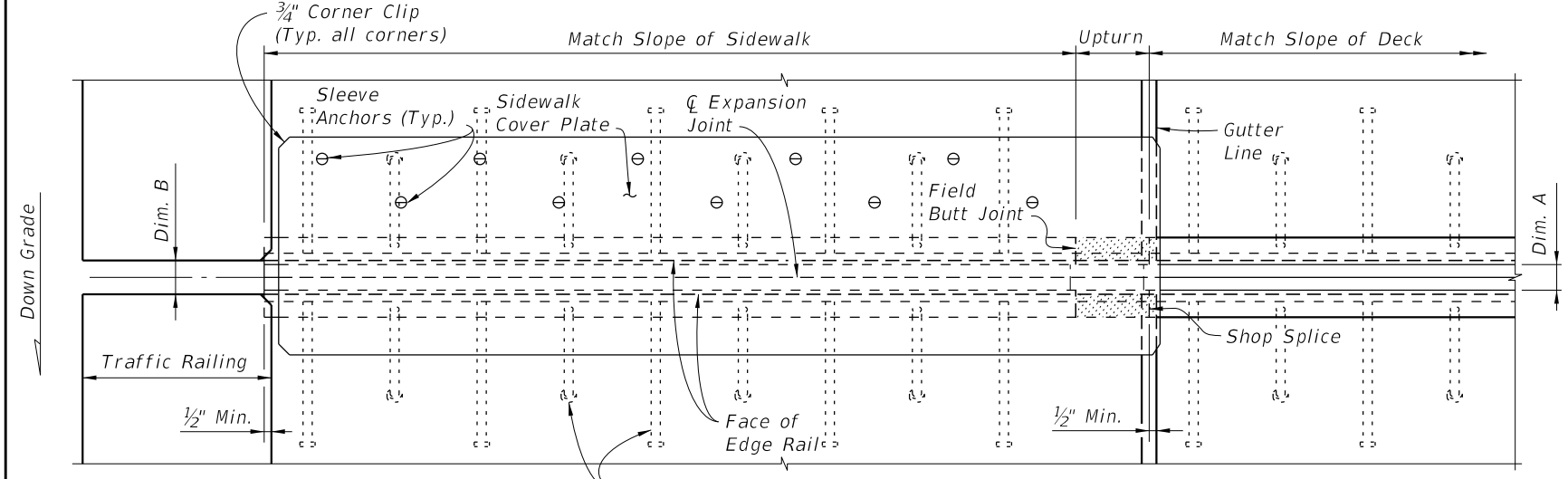
UPTURN DETAIL (TYPICAL AT TRAFFIC BARRIERS AND PARAPETS)

| | | | | | | | |
|---------------|----------|--------------|---|---|-----------------------------------|-----------|-----------|
| LAST REVISION | REVISION | DESCRIPTION: |  | FDOT DESIGN STANDARDS FY 2012/2013 | STRIP SEAL EXPANSION JOINT | INDEX NO. | SHEET NO. |
| 01/01/11 | | | | | | 21100 | 2 |

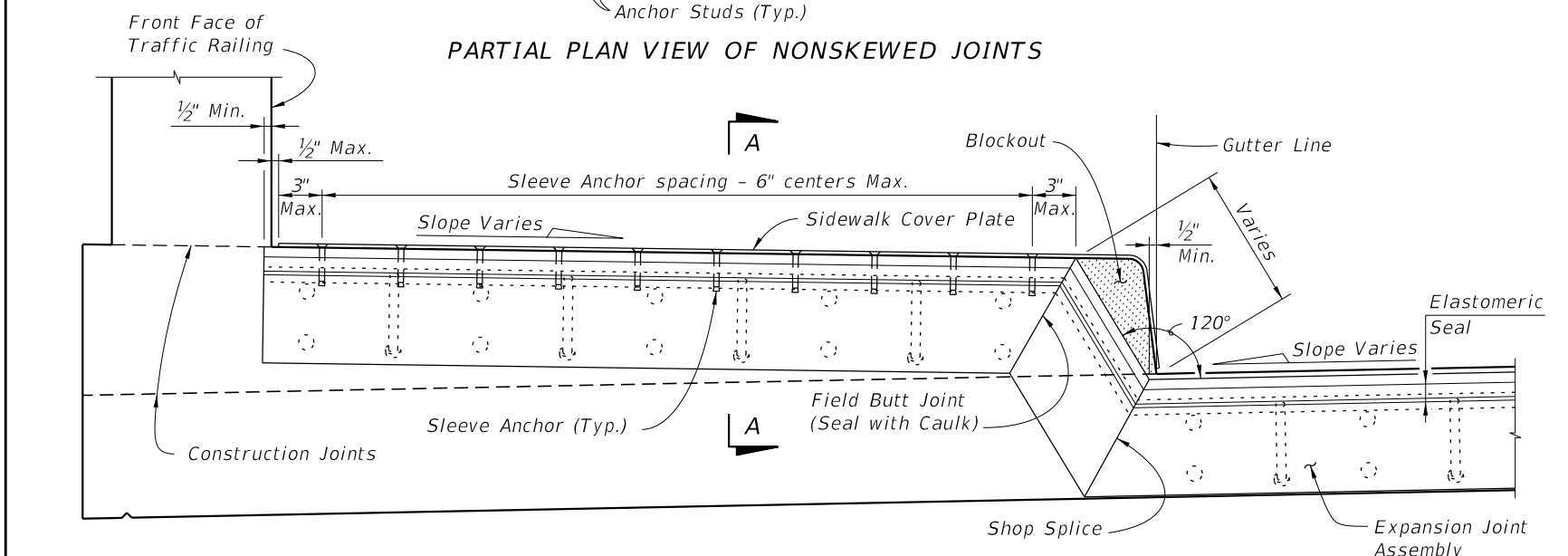
12/30/2011 8:22:38 AM r0960rh C:\projects\standards\structures\current\ready\4release\2012book_draft\21100-3of3.dgn



PARTIAL PLAN VIEW OF SKEWED JOINTS

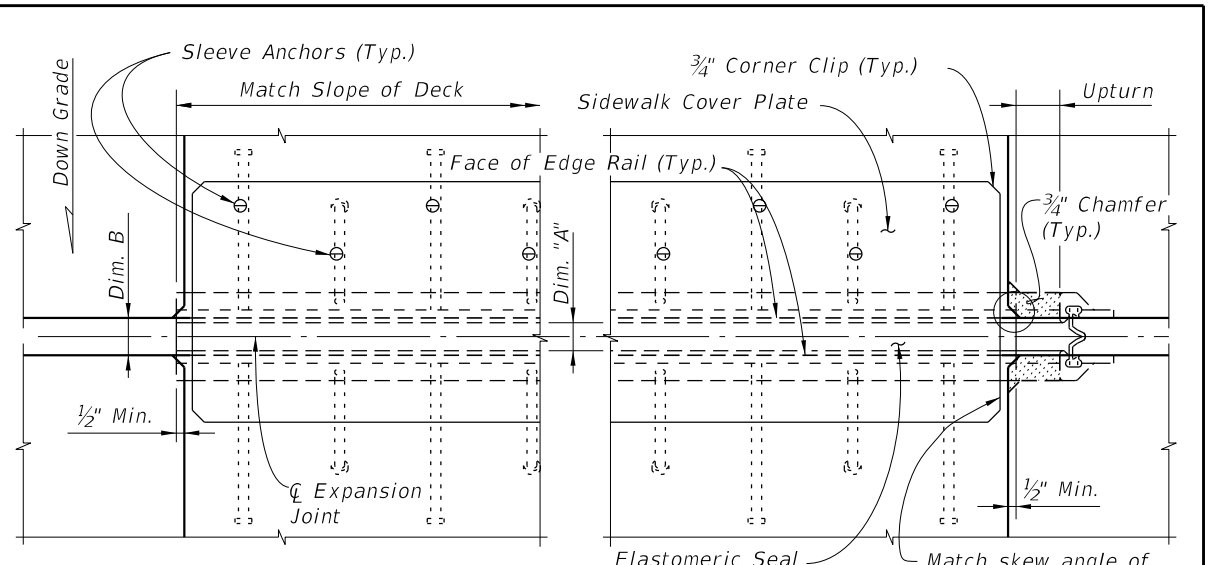


PARTIAL PLAN VIEW OF NONSKEWED JOINTS

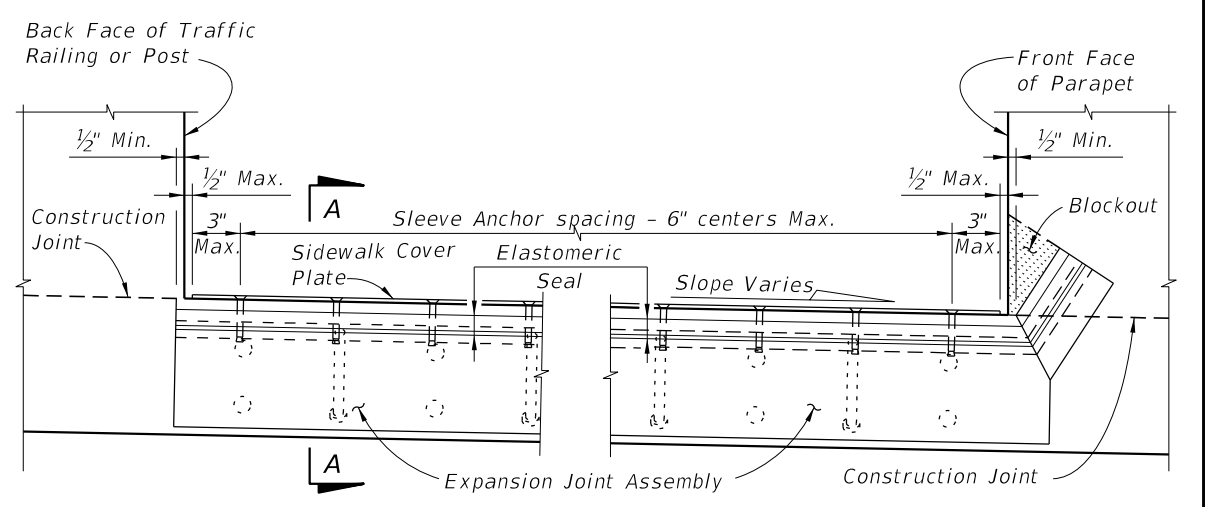


PARTIAL SECTION ALONG Q JOINT

RAISED SIDEWALK DETAIL

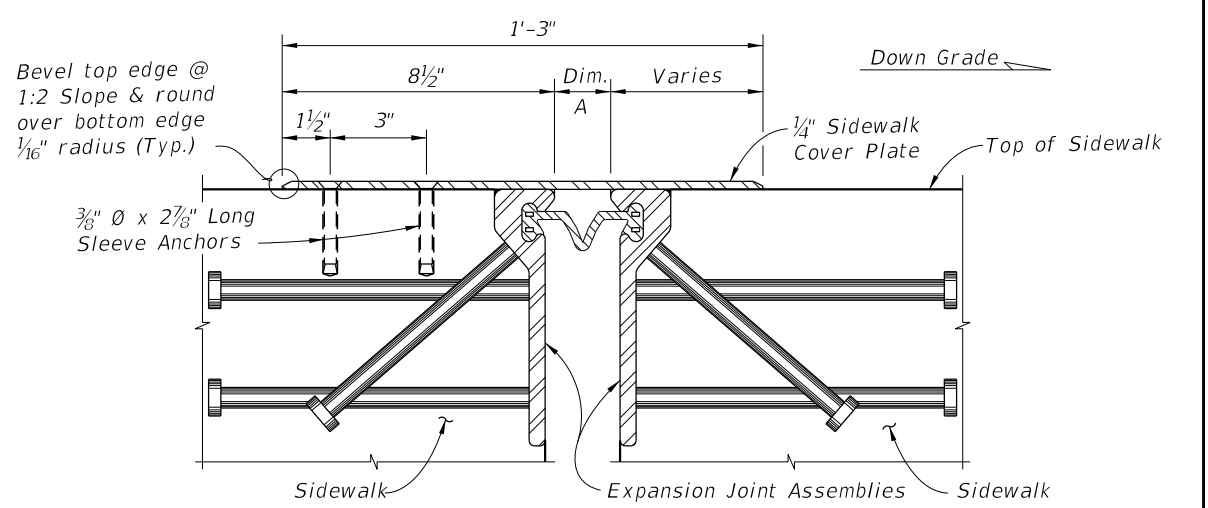


PARTIAL PLAN VIEW



PARTIAL SECTION ALONG Q JOINT

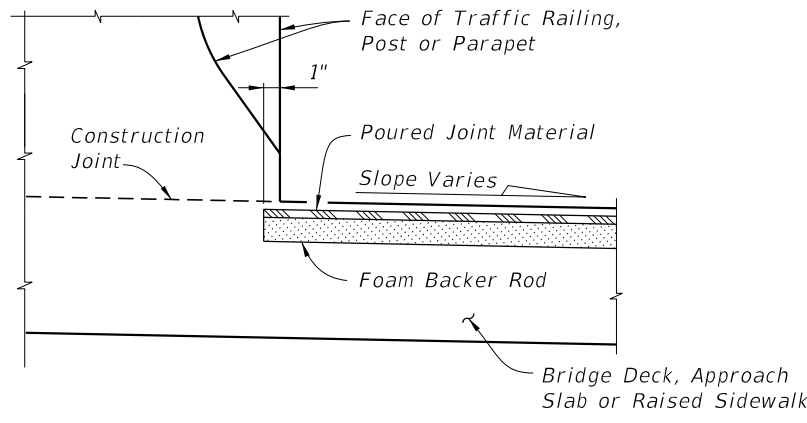
FLUSH SIDEWALK DETAIL



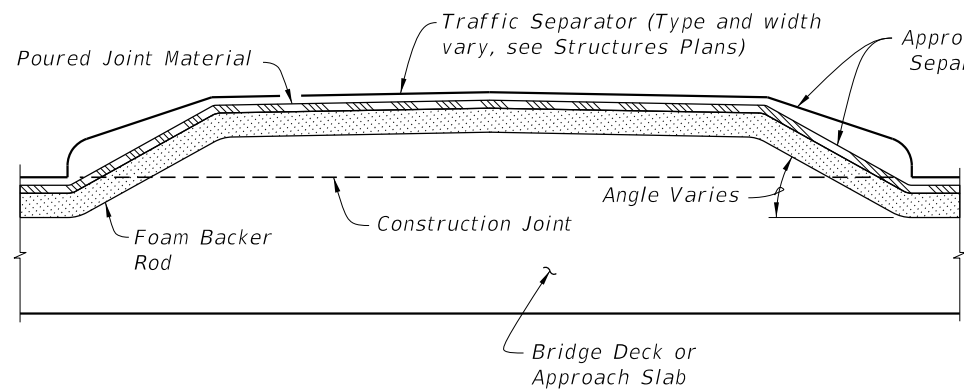
SECTION A-A

| | | | | | | | |
|---------------|----------|--------------|--|--|-----------------------------------|---------------------------|-----------------------|
| LAST REVISION | 01/01/09 | DESCRIPTION: | | FDOT DESIGN STANDARDS FY 2012/2013 | STRIP SEAL EXPANSION JOINT | INDEX NO. 21100 | SHEET NO. 3 |
|---------------|----------|--------------|--|--|-----------------------------------|---------------------------|-----------------------|

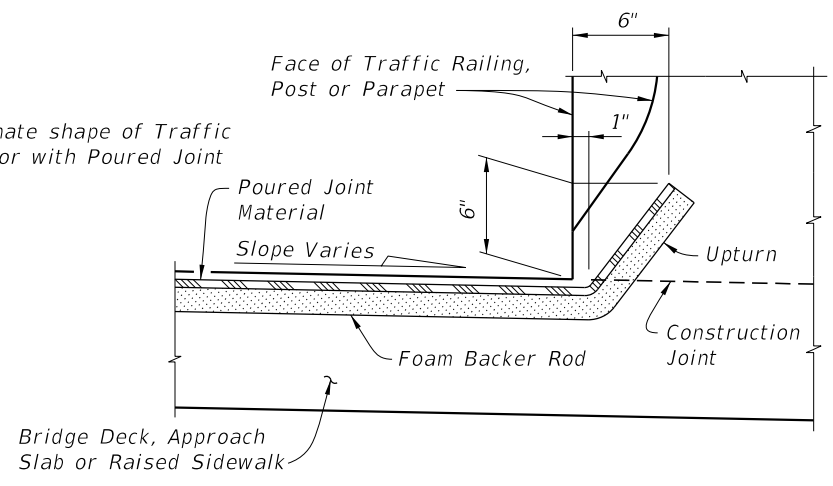
12/30/2011 8:22:39 AM rd960/h C:\projects\standards\structures\current\ready\4release\2012book_draft\21110-1of2.dgn



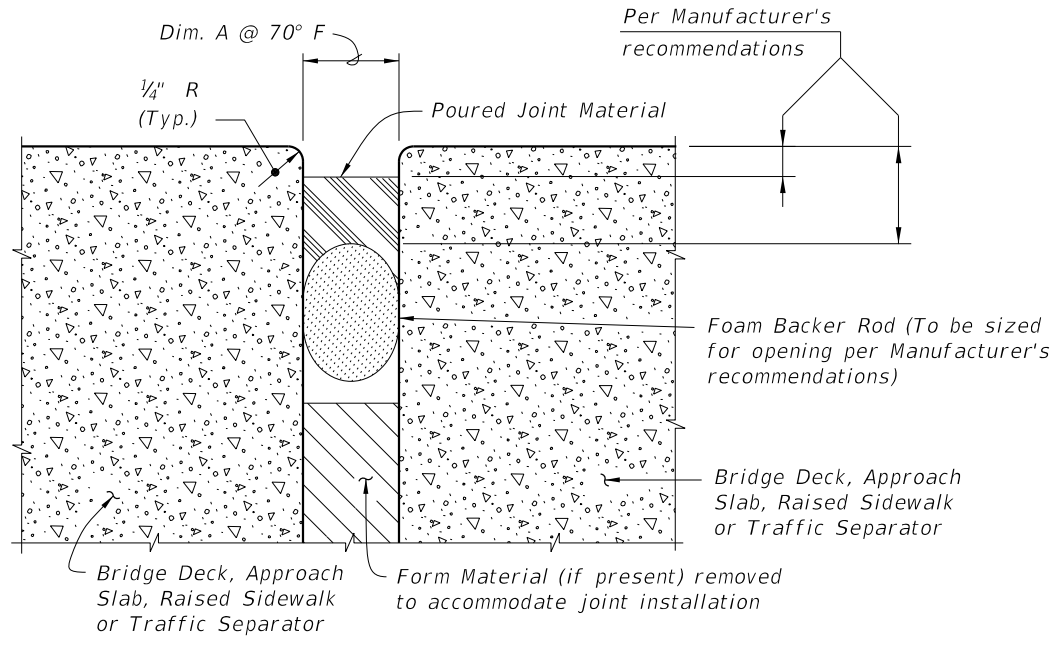
**PARTIAL SECTION ALONG Q JOINT
JOINT TREATMENT AT HIGH SIDE OF
DECK WITH SLOPES 2% OR GREATER**



**PARTIAL SECTION ALONG Q JOINT,
JOINT TREATMENT AT TRAFFIC SEPARATOR**



**PARTIAL SECTION ALONG Q JOINT
JOINT TREATMENT AT LOW SIDE OF DECK OR
HIGH SIDE OF DECK WITH SLOPES < 2%**



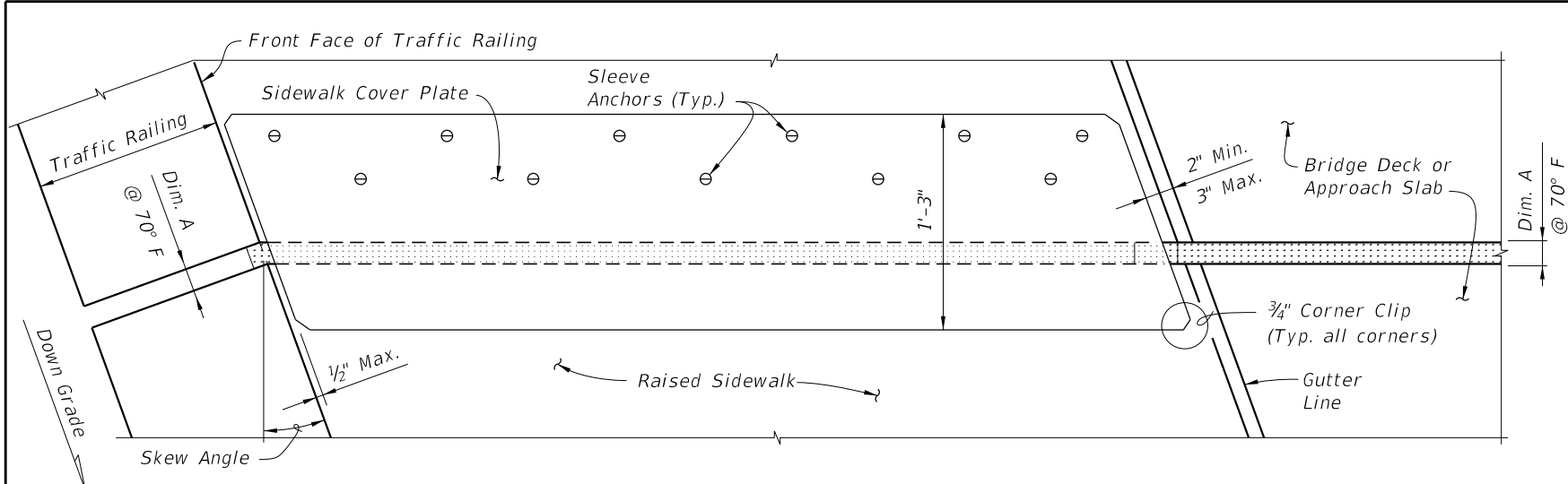
TYPICAL SECTION THRU JOINT

GENERAL NOTES:

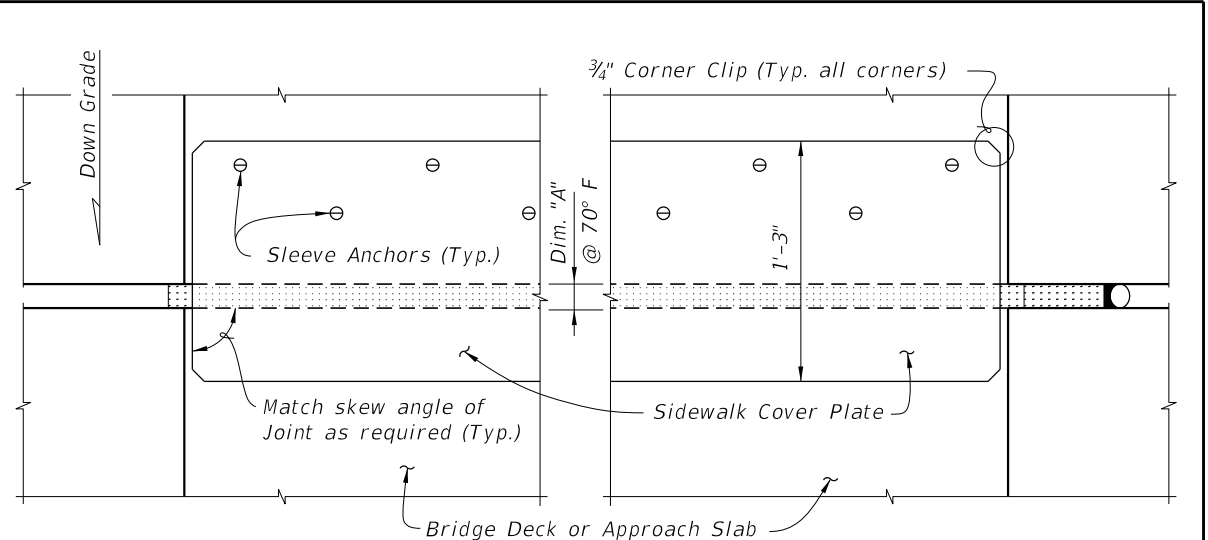
1. Furnish Poured Joint With Backer Rod Expansion Joint Systems in accordance with Specification Section 458 and 932.
2. Submit shop drawings for Sidewalk Cover Plates showing all materials and project specific details and dimensions.
3. Refer to Specification Section 458 for installation and construction requirements.
4. Refer to the Structures Plans, Poured Expansion Joint Data Table for Dim. A @ 70° F.

| | | | | | | | |
|---------------|----------|--------------|--|---|--|-----------|-----------|
| LAST REVISION | REVISION | DESCRIPTION: | | FDOT DESIGN STANDARDS FY 2012/2013 | POURED JOINT WITH BACKER ROD EXPANSION JOINT SYSTEM | INDEX NO. | SHEET NO. |
| 01/01/11 | | | | | | 21110 | 1 |

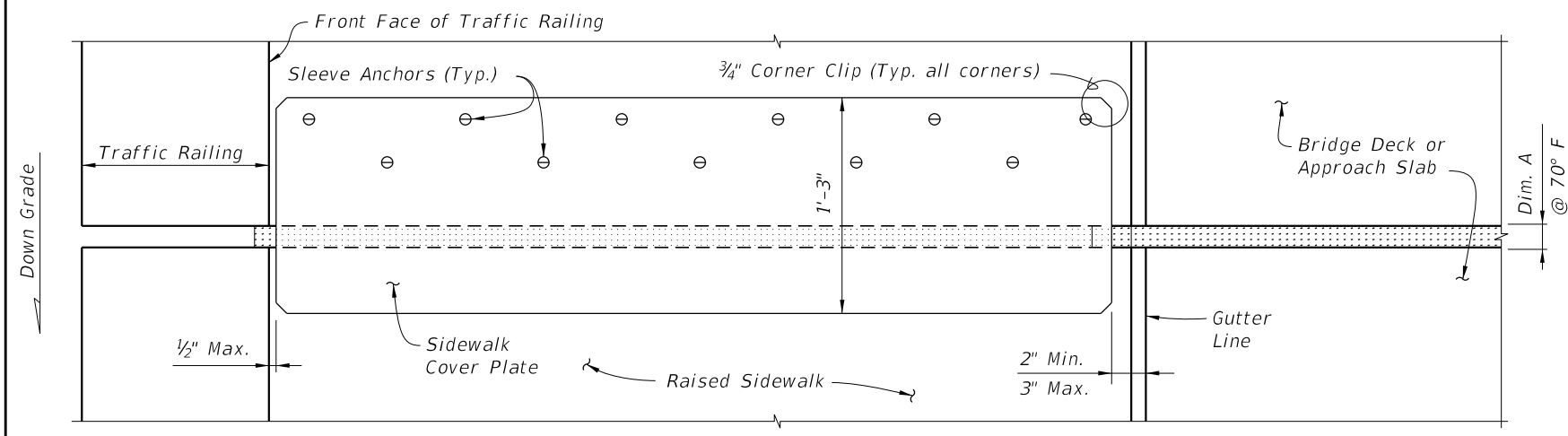
12/30/2011 8:22:40 AM rd960rh C:\projects\standards\structures\current\ready\4release\2012book_draft\21110-2of2.dgn



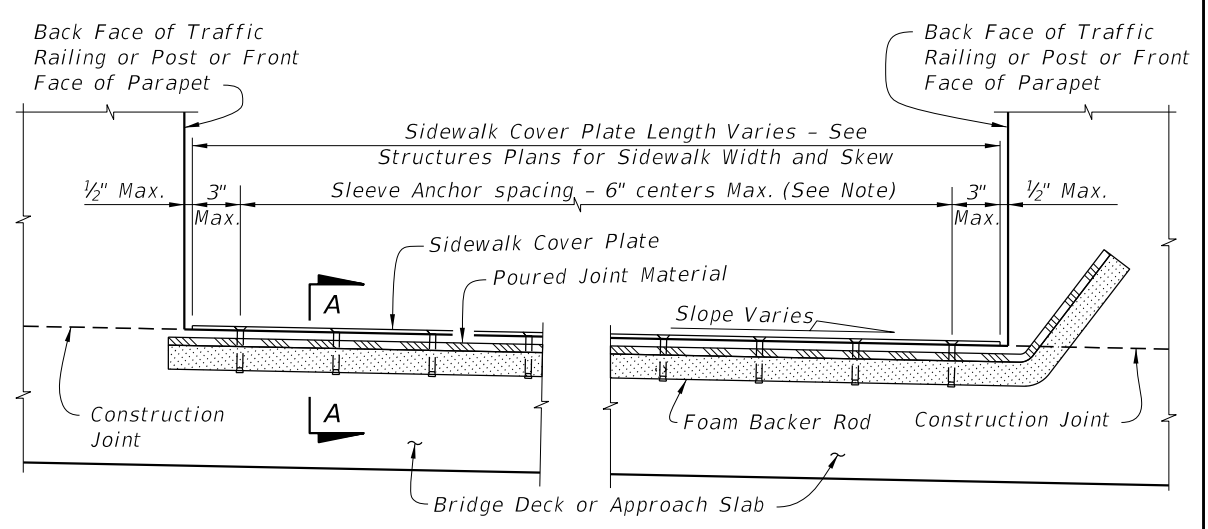
PARTIAL PLAN VIEW OF SKEWED JOINTS



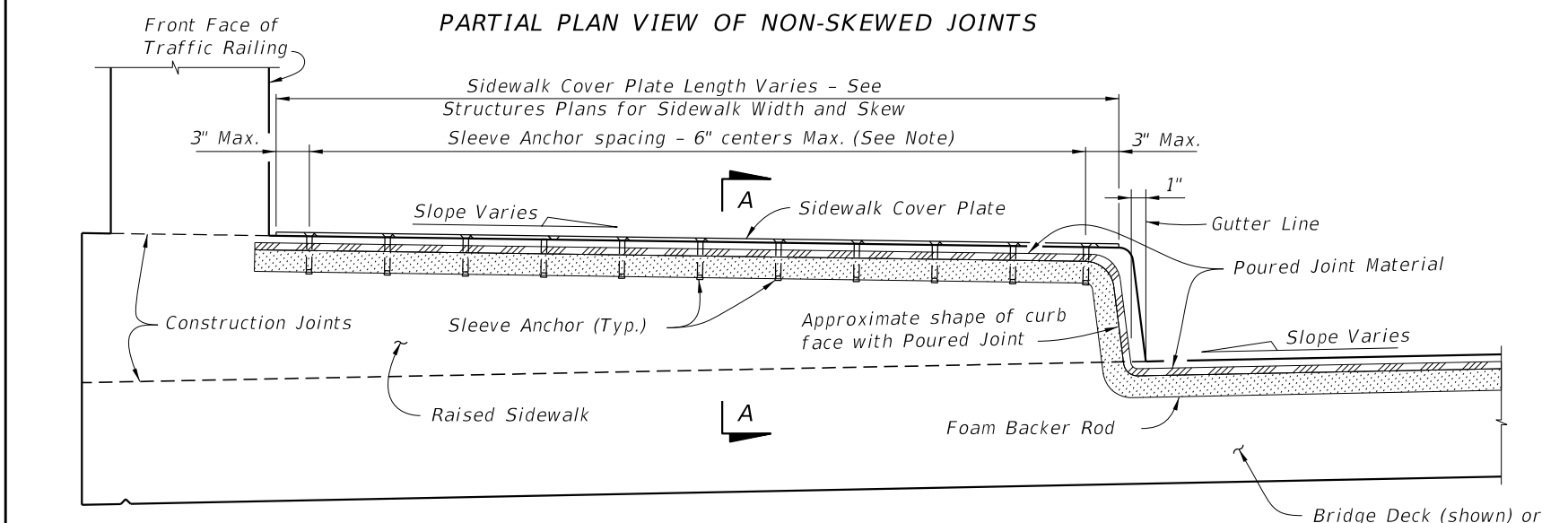
PARTIAL PLAN VIEW



PARTIAL PLAN VIEW OF NON-SKEWED JOINTS

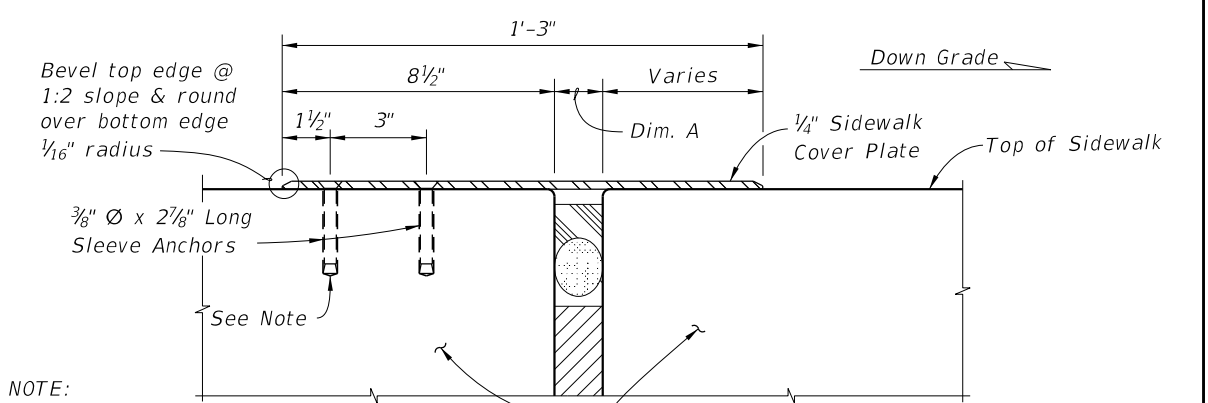


PARTIAL SECTION ALONG Q-JOINT



PARTIAL SECTION ALONG Q-JOINT

RAISED SIDEWALK DETAIL



SECTION A-A

NOTE: Sleeve Anchors are required at both corners of Sidewalk Cover Plate. Reduce Sleeve Anchor max. spacing to provide uniform spacing.

| | | | | | |
|---------------------------|--------------------------|---------------------------------------|--|--------------------|----------------|
| LAST REVISION 01/01/11 | DESCRIPTION: REVISION | FDOT DESIGN STANDARDS FY 2012/2013 | POURED JOINT WITH BACKER ROD EXPANSION JOINT SYSTEM | INDEX NO. 21110 | SHEET NO. 2 |
|---------------------------|--------------------------|---------------------------------------|--|--------------------|----------------|