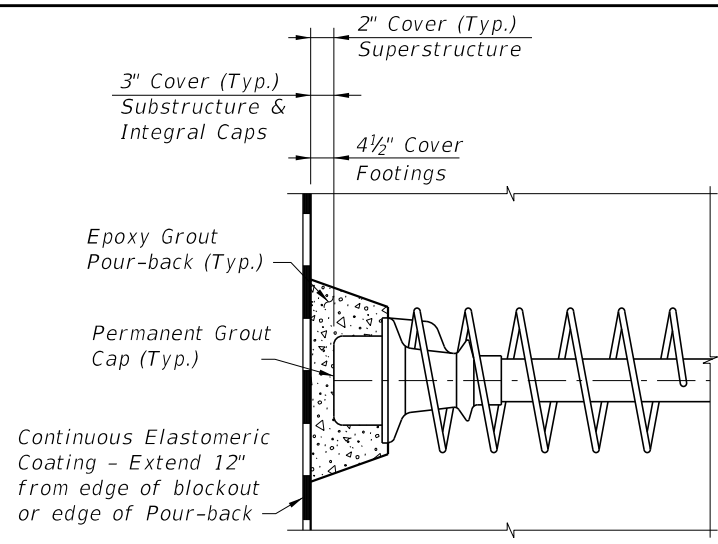
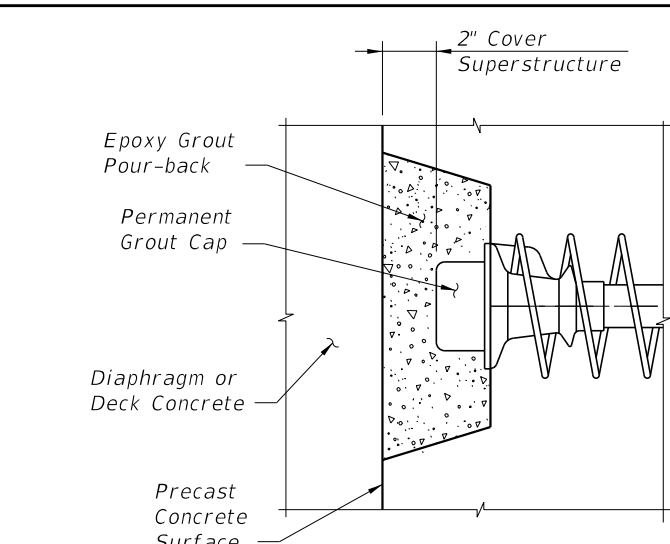


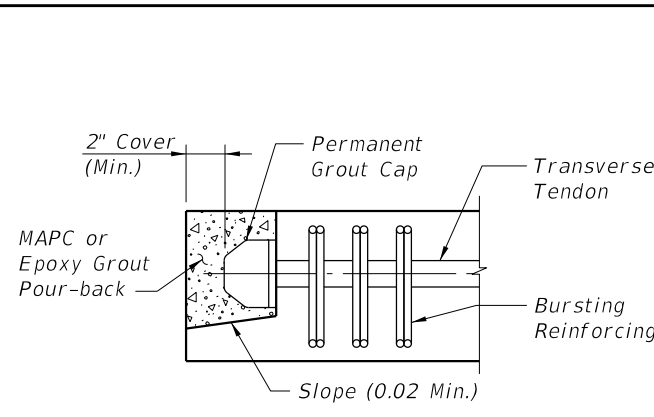
12/30/2011 11:51:51 AM r0960rh C:\projects\standards\structures\current\ready\4release\2012book\_draft\21802-1of1.dgn



**TYPE 1**

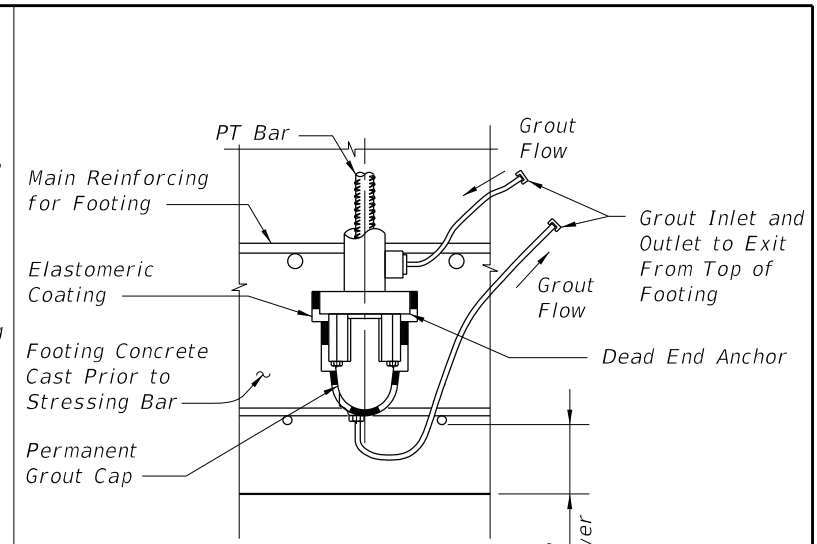


**TYPE 2**

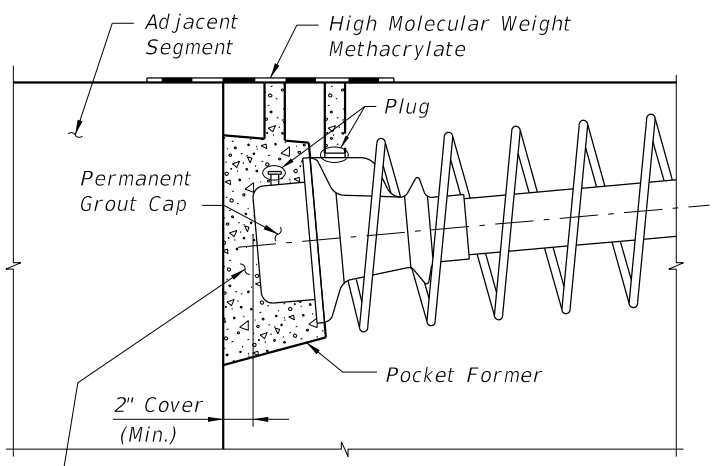


**TYPE 7**

- Type 7 Notes:**
1. Traffic or Pedestrian/Bicycle Railing not shown for Clarity.
  2. Where Pour-back is not protected by Traffic or Pedestrian/Bicycle Railing, Coat Pour-back with High Molecular Weight Methacrylate.

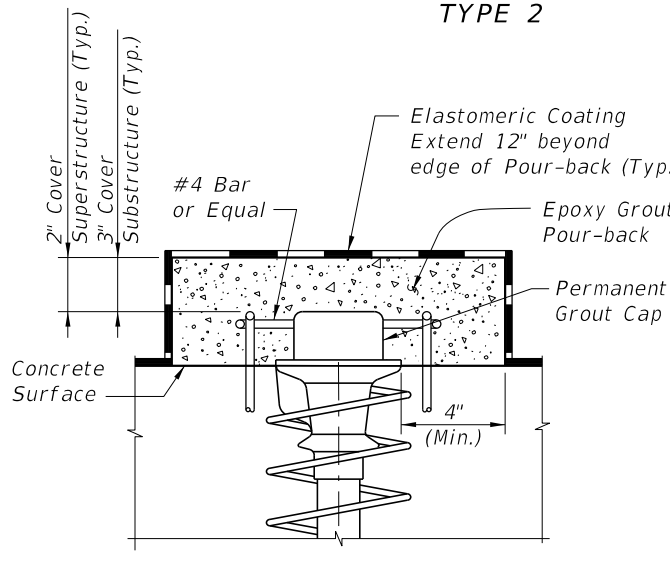


**TYPE 8**

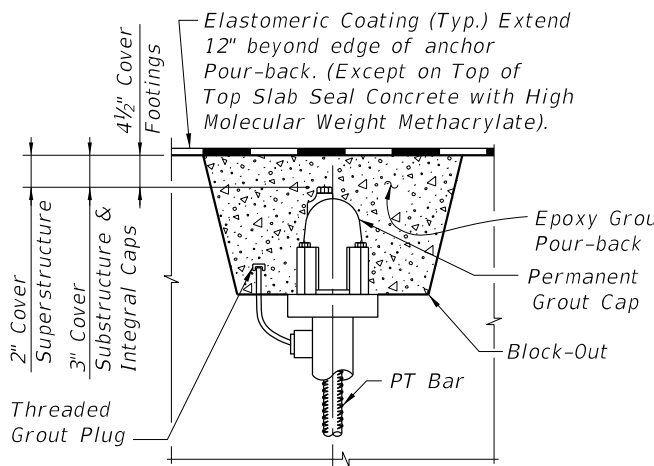


**TYPE 3**

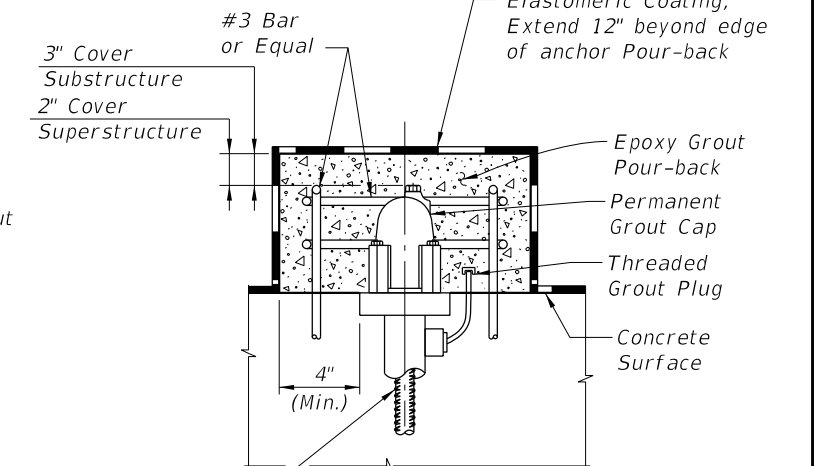
Epoxy Grout Pour-back placed after permanent tendons anchored in adjacent segment have been stressed



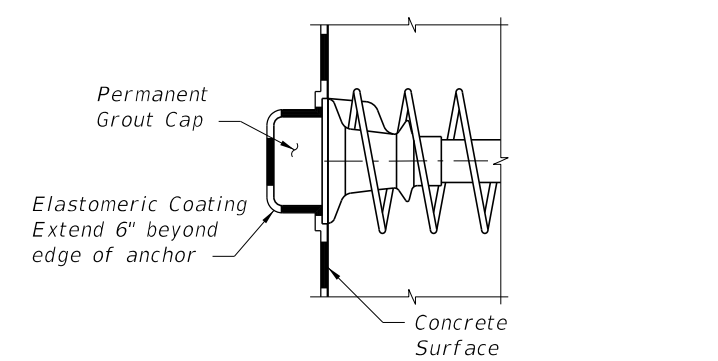
**TYPE 4**



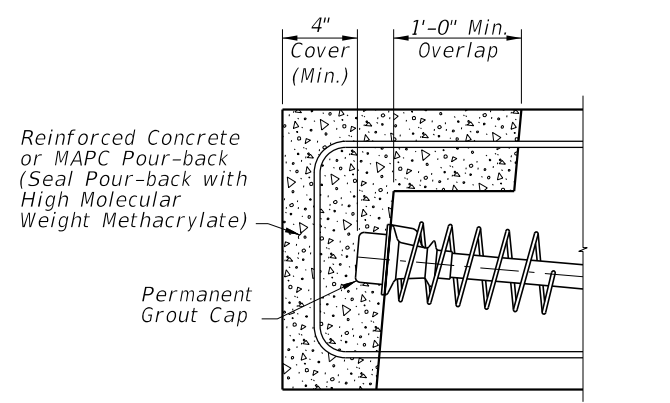
**TYPE 9**



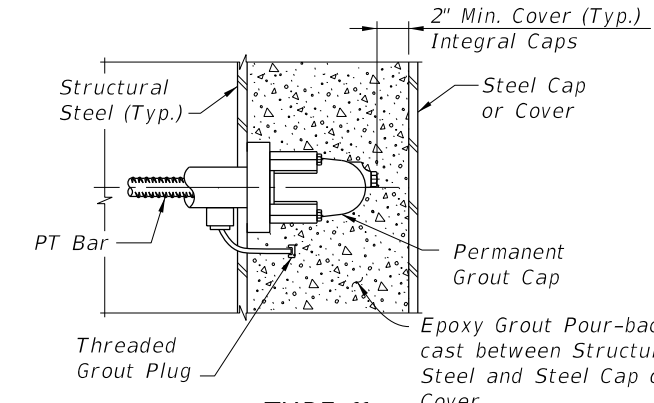
**TYPE 10**



**TYPE 5**

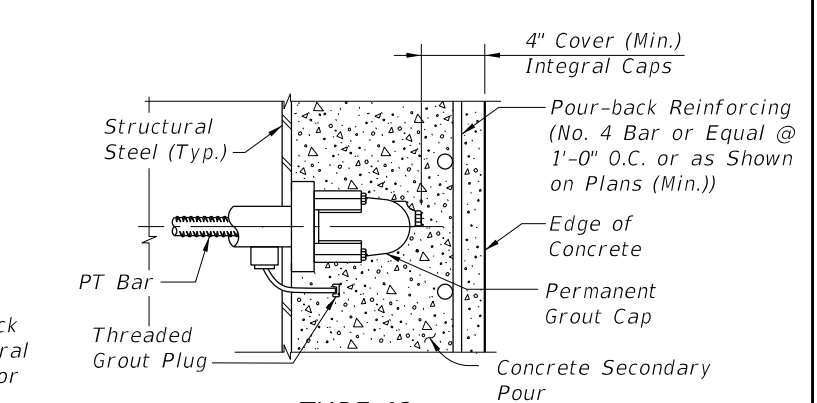


**TYPE 6**



**TYPE 11**

(Shear Studs not Shown for Clarity)



**TYPE 12**

(Shear Studs not Shown for Clarity)

**ANCHOR PROTECTION FOR PT TENDONS**

**ANCHOR PROTECTION FOR PT BARS**

<b>LAST REVISION</b>	<b>REVISION</b>	<b>DESCRIPTION:</b>	 <b>FDOT DESIGN STANDARDS</b> FY 2012/2013	<b>POST-TENSIONING ANCHORAGE PROTECTION</b>	<b>INDEX NO.</b>	<b>SHEET NO.</b>
01/01/12					21802	1