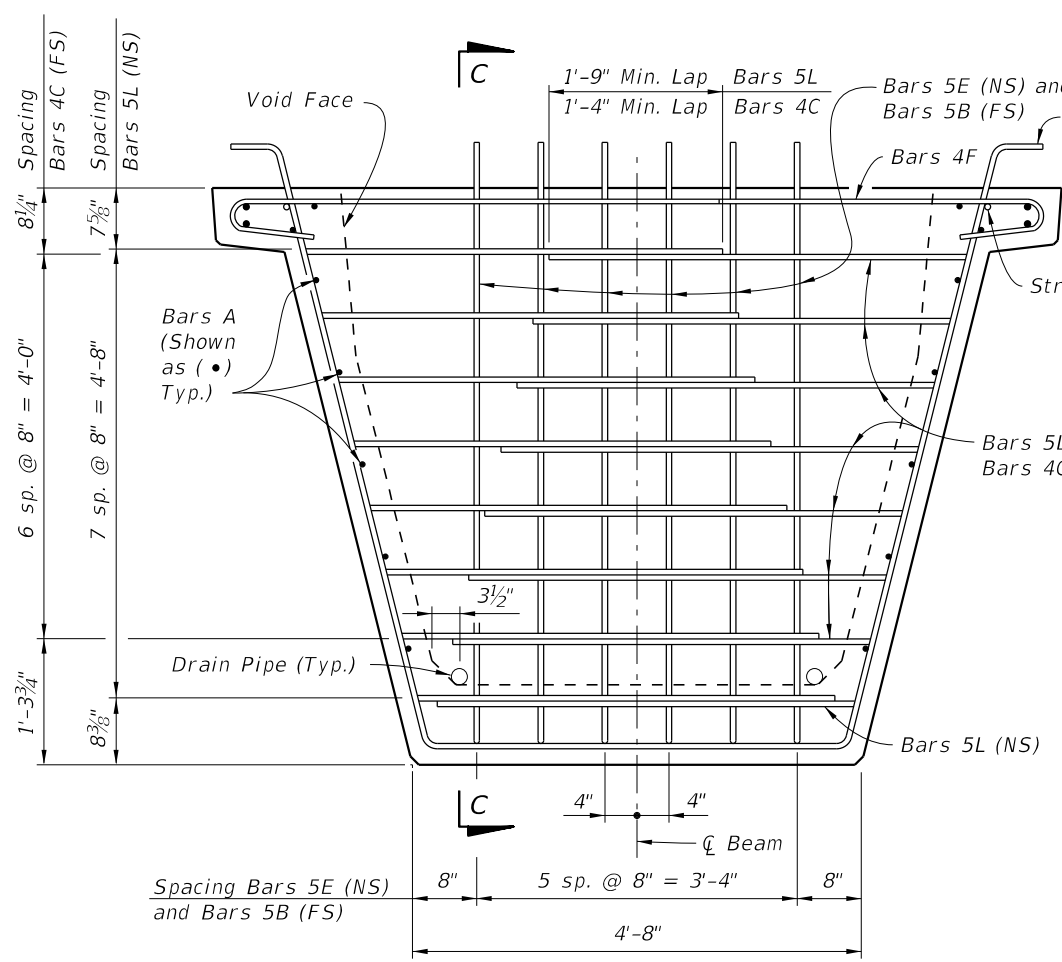


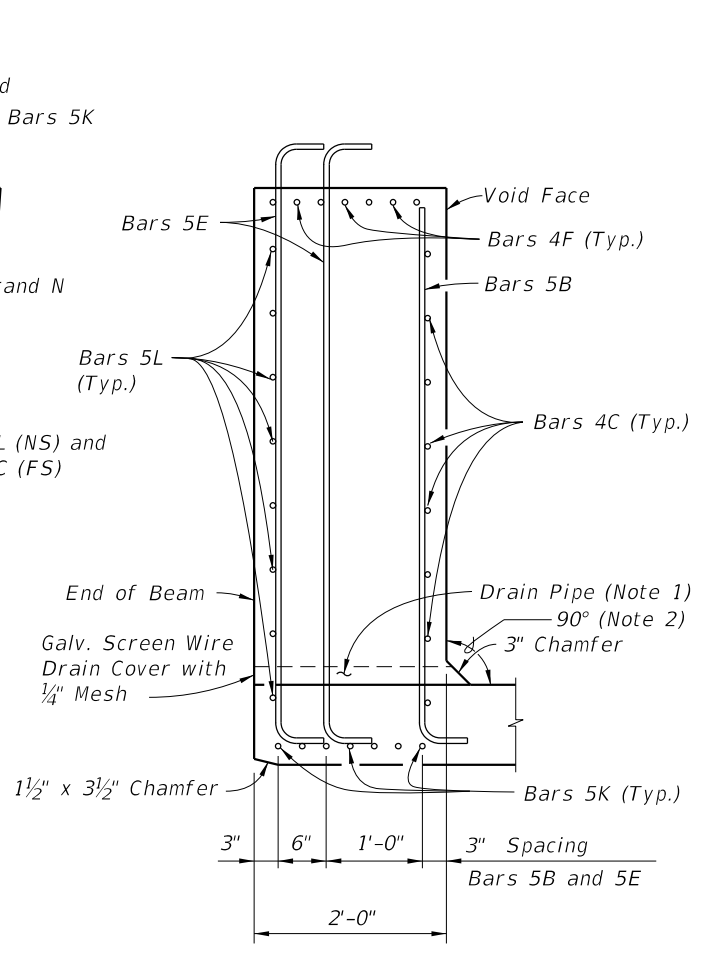
C:\projects\standards\structures\current\ready\4release\2012book_draft\20272-1of3.dgn
 12/30/2011 11:50:44 AM rd960rh

LAST REVISION	07/01/05	DESCRIPTION:	 FDOT DESIGN STANDARDS FY 2012/2013	FLORIDA U 72 BEAM - STANDARD DETAILS	INDEX NO.	SHEET NO.
					20272	1

12/30/2011 11:50:45 AM rd960rh C:\projects\standards\structures\current\ready\4release\2012book_draft\20272-2of3.dgn

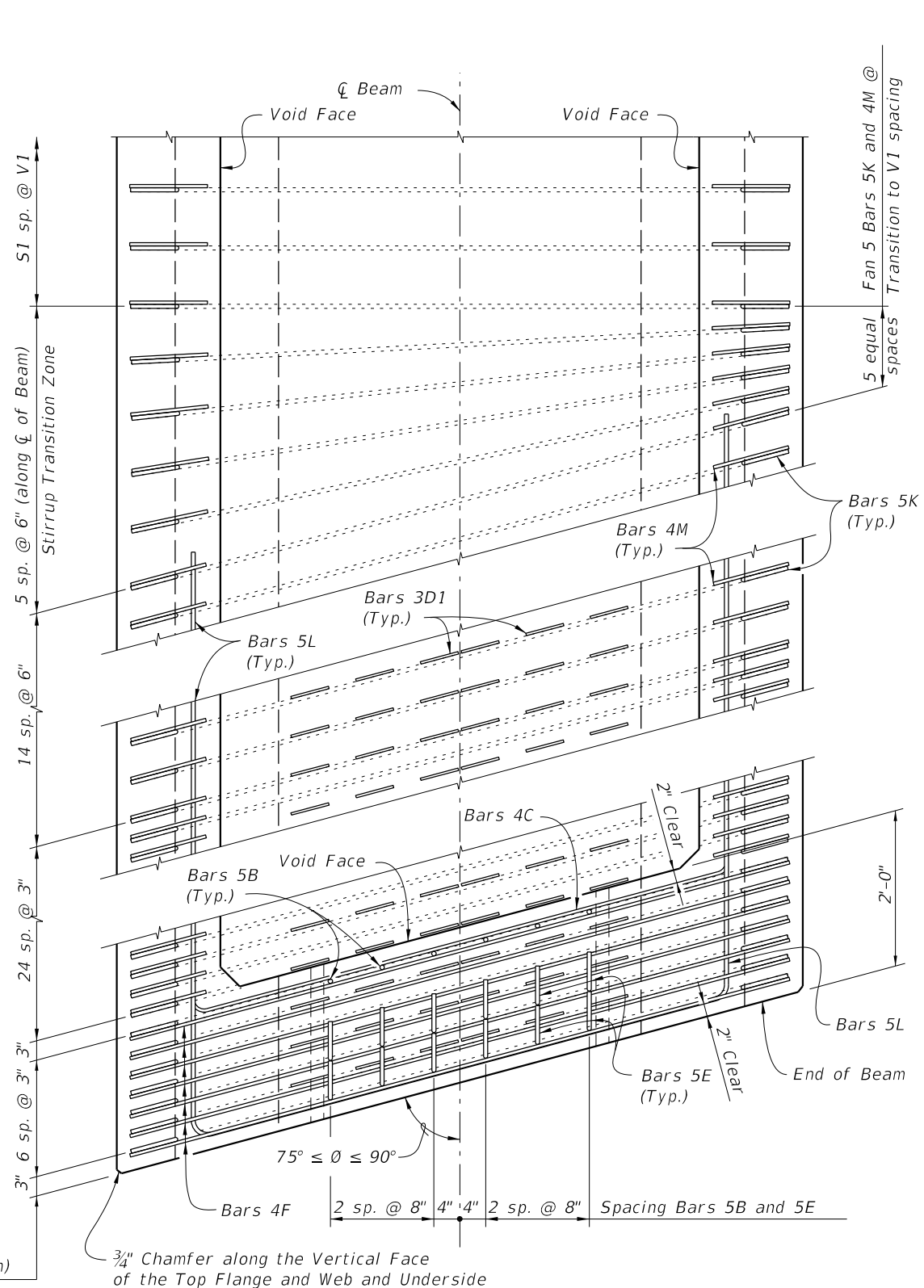


END VIEW AT END DIAPHRAGM

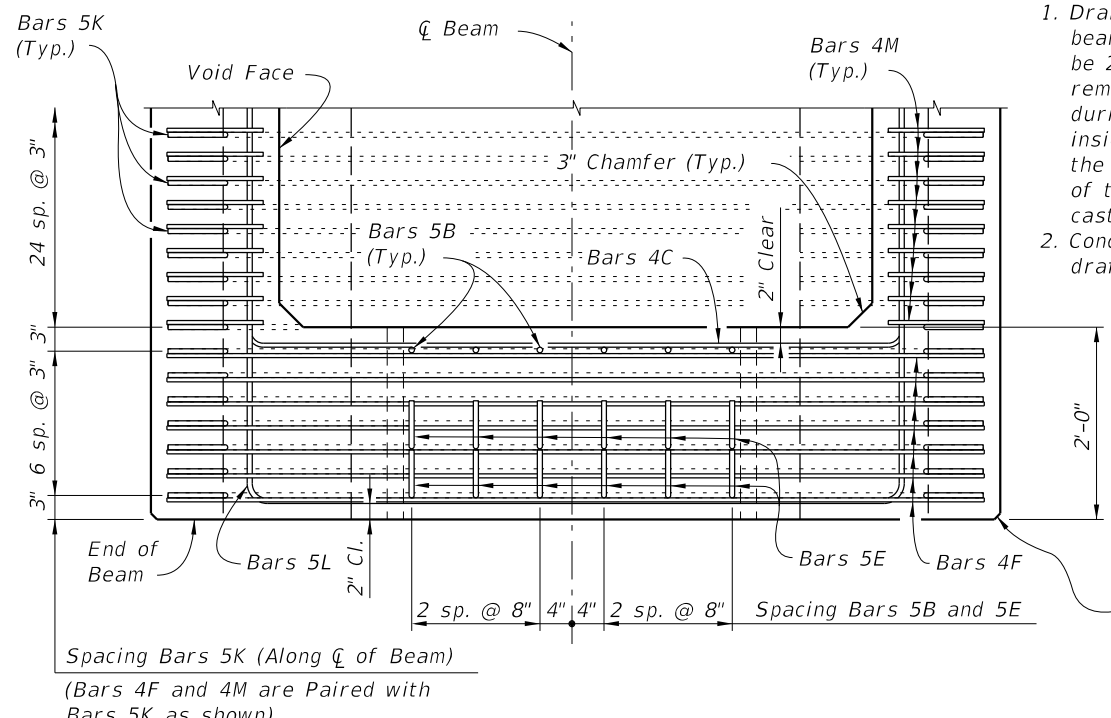


SECTION C-C

- NOTES:
1. Drains shall be placed adjacent to each web at each beam end (four drains per beam). Drain Pipe shall be 2" Nominal Pipe Size, Schedule 80 PVC. Provide removable pipe plugs to prevent concrete entrance during beam casting. Plugs to be removed from the inside after casting. Galvanized screen wire shall cover the end of the pipe and bent down around the sides of the pipe, a minimum of 1" and secured prior to casting.
 2. Concrete face may be sloped with a maximum 1:24 draft to facilitate formwork removal.

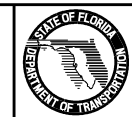


TOP VIEW OF SKEWED END DIAPHRAGM AND STIRRUP TRANSITION ZONE (Bars 3D2 Not Shown For Clarity)



TOP VIEW OF END DIAPHRAGM (Bars 3D1 And 3D2 Not Shown For Clarity)

LAST REVISION	DESCRIPTION:
07/01/05	



FDOT DESIGN STANDARDS
FY 2012/2013

FLORIDA U 72 BEAM - STANDARD DETAILS

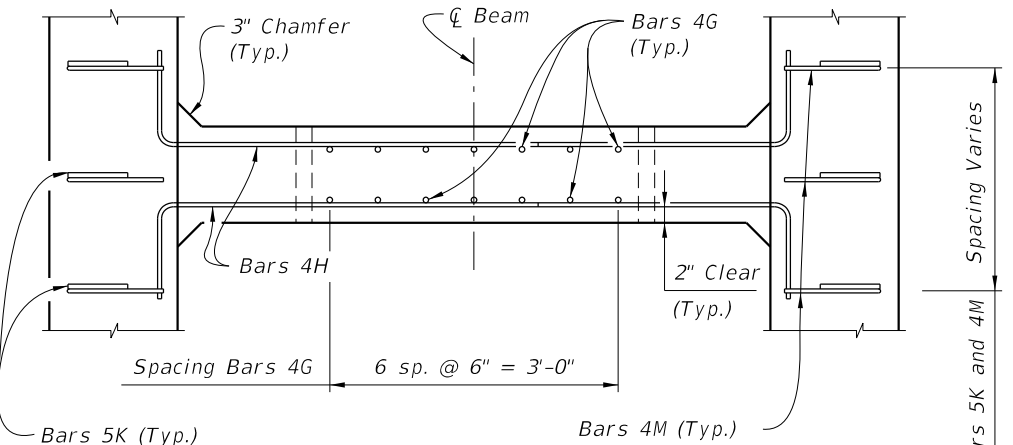
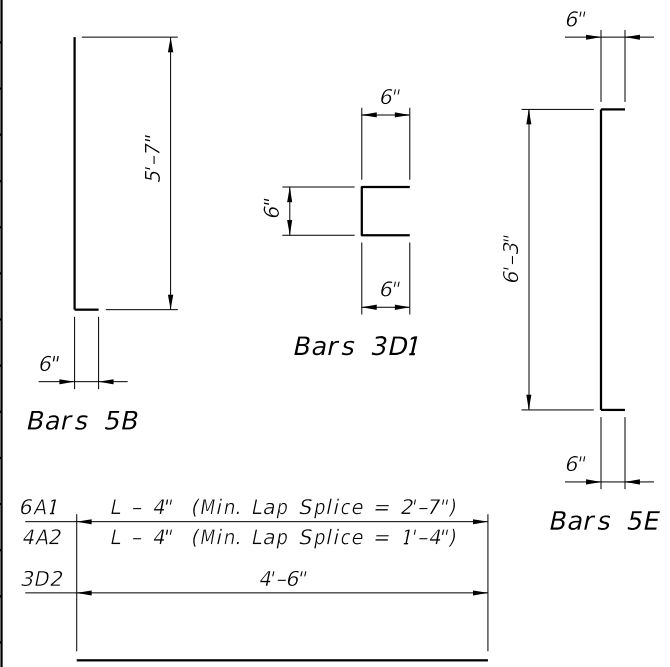
INDEX NO.	SHEET NO.
20272	2

C:\projects\standards\structures\current\ready\4release\2012book_draft\20272-3of3.dgn
 12/30/2011 11:50:46 AM r0960rh

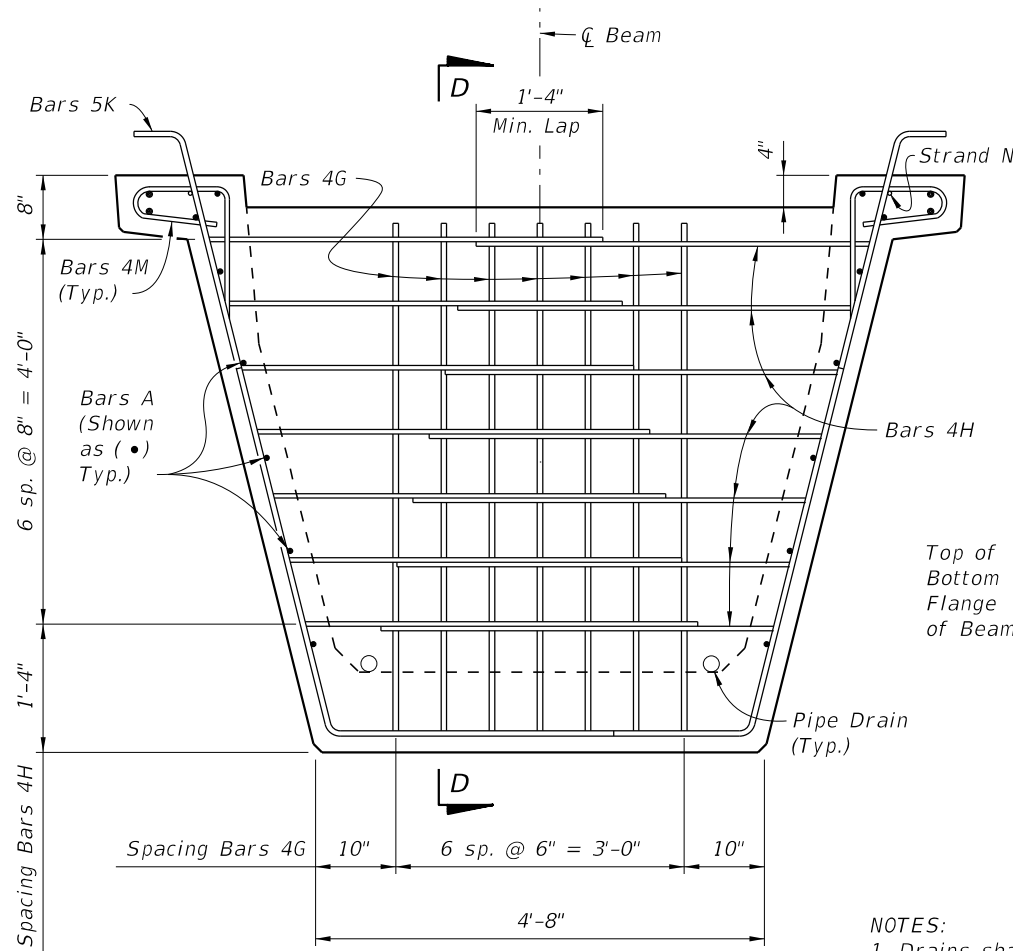
CONVENTIONAL REINFORCING STEEL BENDING DIAGRAMS

BILL OF REINFORCING STEEL FOR ONE BEAM ONLY

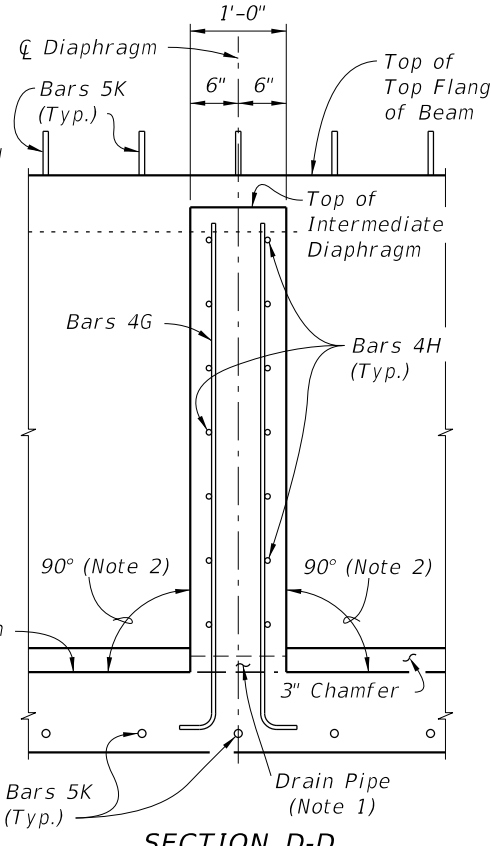
MARK	SIZE	NO. REQD.	LENGTH
A1	6	4	Dim. L - 4"
A2	4	14	Dim. L - 4"
B	5	12	6'-1"
C	4	28	5'-7"
D1	3	228	1'-6"
D2	3	38	4'-6"
E	5	24	7'-3"
F	4	28	6'-9"
G	4	See Table	6'-0"
H	4	See Table	5'-1"
K	5	See Table	10'-0"
L	5	32	19'-6"
M	4	See Table	3'-11"
N	3/8" Ø Strand	2	Dim. L - 3"



TOP VIEW OF INTERMEDIATE DIAPHRAGM

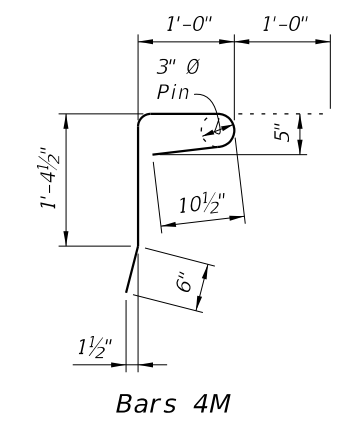
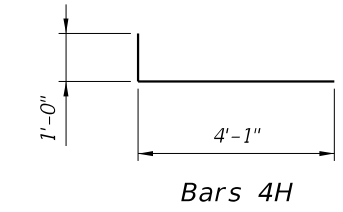
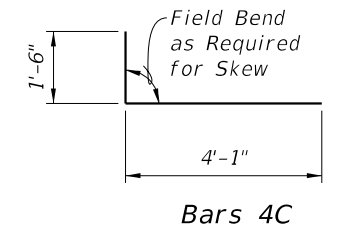
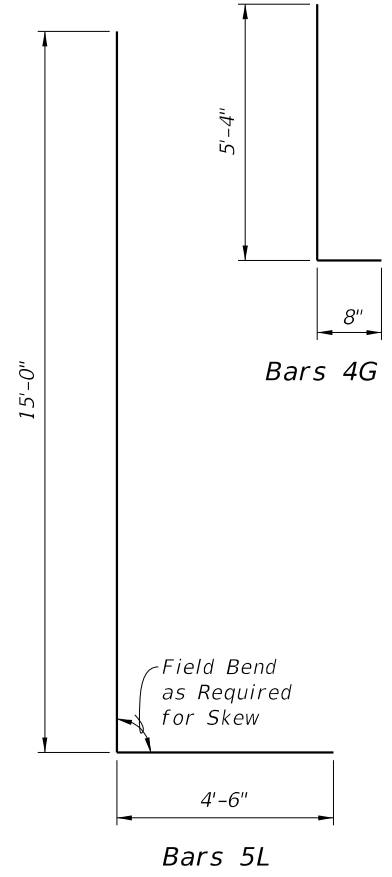
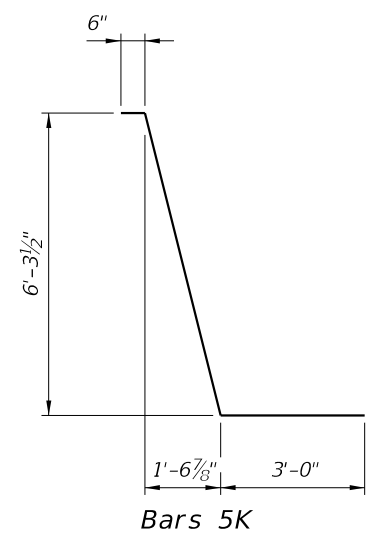
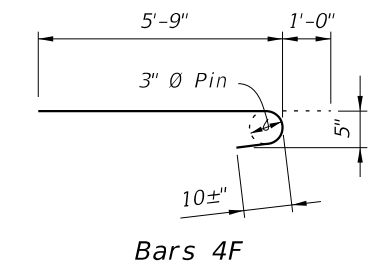


SECTION AT INTERMEDIATE DIAPHRAGM



SECTION D-D

- NOTES:
1. Drains shall be placed adjacent to each web at each intermediate diaphragm (two drains per intermediate diaphragm). Drain Pipe shall be 2" Nominal Pipe Size, Schedule 80 PVC. Provide removable pipe plugs to prevent concrete entrance during beam casting. Plugs to be removed from the inside after casting.
 2. Concrete face may be sloped with a maximum 1:24 draft to facilitate formwork removal.
 3. Intermediate diaphragms must be cast and concrete release strength obtained prior to removing beam from casting bed.



LAST REVISION	DESCRIPTION:
07/01/05	

REVISION	DESCRIPTION:



FDOT DESIGN STANDARDS
FY 2012/2013

FLORIDA U 72 BEAM - STANDARD DETAILS

INDEX NO.	SHEET NO.
20272	3