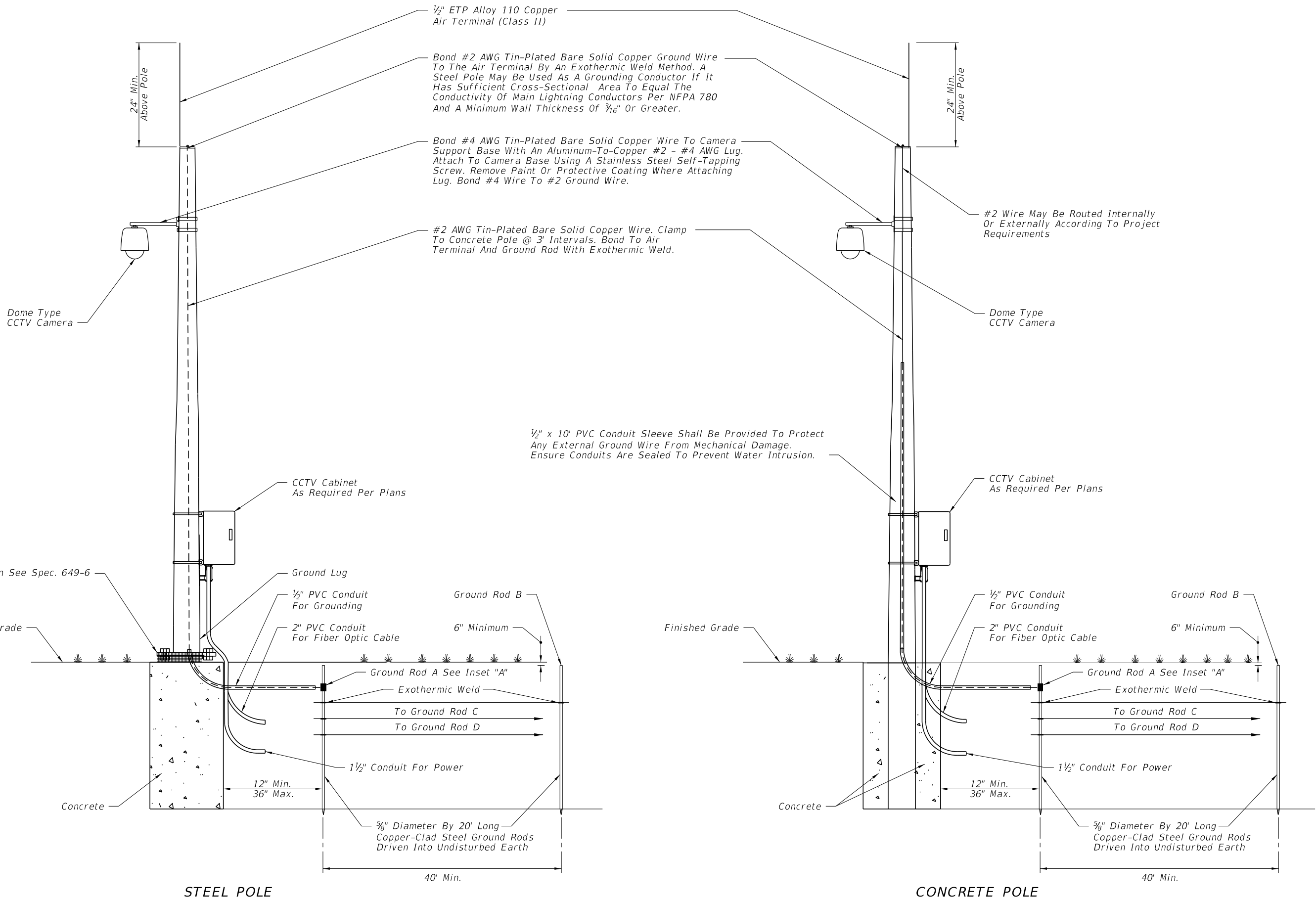


C:\projects\standards\18102-01.dgn
 r1960rh
 11:50:00 AM
 12/30/2011



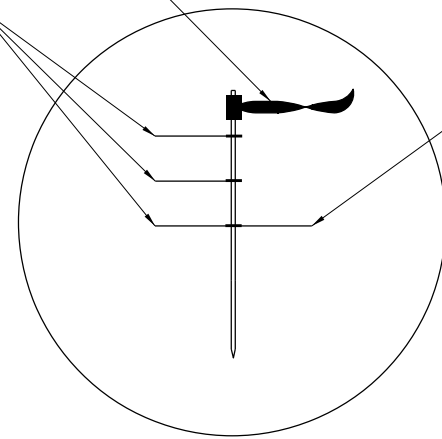
LAST REVISION	DESCRIPTION:	 FDOT DESIGN STANDARDS FY 2012/2013	CCTV POLE GROUNDING	INDEX NO.	SHEET NO.
01/01/10				18102	1

12/30/2011 11:50:01 AM r0960rh C:\projects\standards\18102-02.dgn

#2 AWG Tin-Plated Bare Solid Copper Wire Continuous To Air Terminal

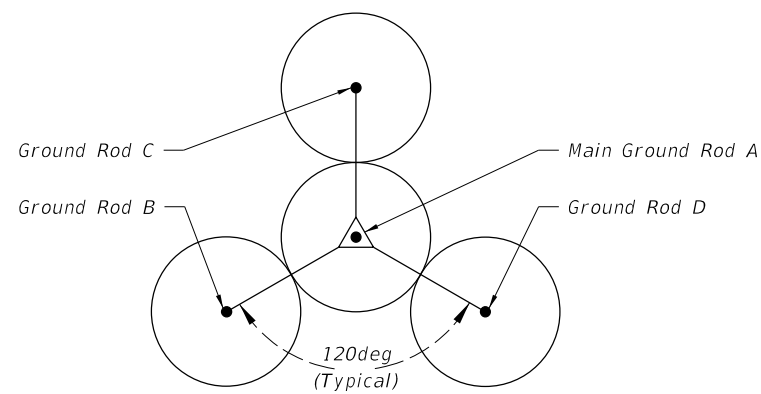
#2 AWG Min. Tin-Plated Bare Solid Copper Wire To Ground Rods B, C And D As Required

#6 AWG Tin-Plated Bare Solid Copper Wire To Electrical Service Ground



INSET "A"

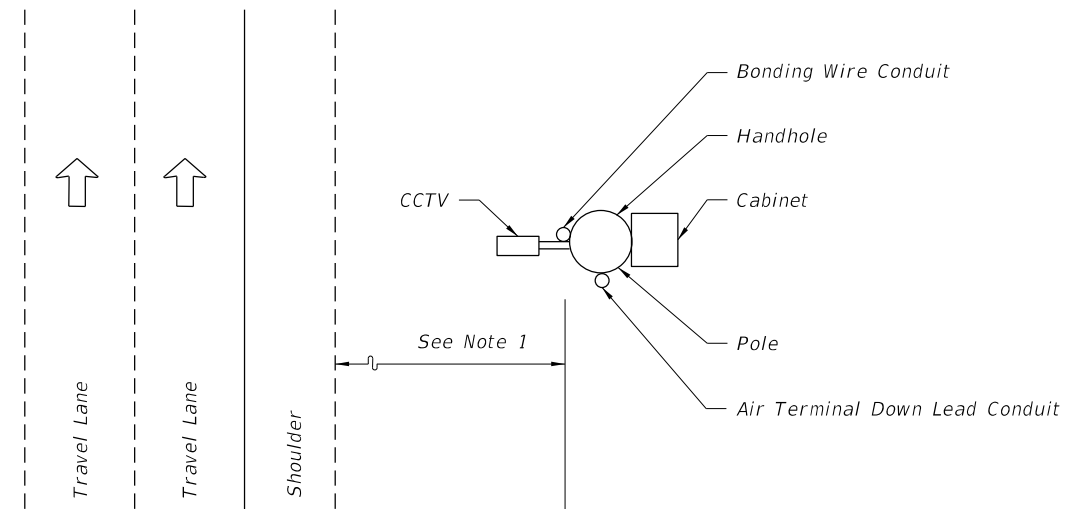
20' Radius Each "Sphere Of Influence"



GROUND ROD PLACEMENT DETAIL
(Typical Each Pole)

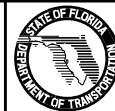
GENERAL NOTES:

1. Distance must be in accordance with project design documents and greater than or equal to minimum clear zone requirements.
2. Exothermically weld all connections to ground rods.
3. Install marker tape directly above all grounding electrodes and conductors at a depth of 6".
4. All data, coaxial and power cables to the camera shall be completely concealed.
5. All air terminals must meet UL-96A.
6. Ground rod A is required. Ground rods B, C and D will be required as necessary to meet the ground resistance requirements in the contract documents.
7. Place ground system within right of way.
8. Route all camera cables inside arm of mounting bracket.
9. Main ground rod to be placed immediately adjacent to pole.



ORIENTATION OF CONDUITS AND DEVICES ON POLE

LAST REVISION	DESCRIPTION:
07/01/07	



FDOT DESIGN STANDARDS
FY 2012/2013

CCTV POLE GROUNDING

INDEX NO.	SHEET NO.
18102	2