

SIGN LIGHTING INSTALLATION

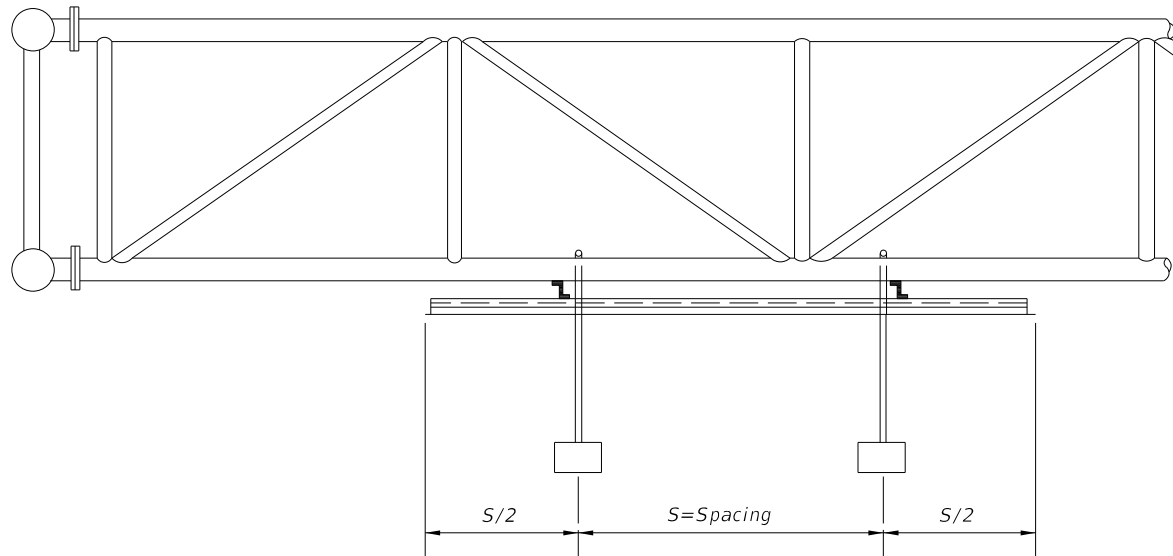
Roadway Lighting included in contract:

The power for the sign lighting shall be provided from the roadway lighting circuit. The lighting plans shall indicate the sign location and a pull box location for connection to the sign lights. The lighting contractor shall install pull box and loop 2' of lighting circuit conductors in the pull box for connection by the signing contractor.

The signing contractor shall furnish and install luminaires, Nema 3R enclosure, 30 amp breaker, conduit, conductors and all other electrical equipment necessary for connection to the lighting circuit.

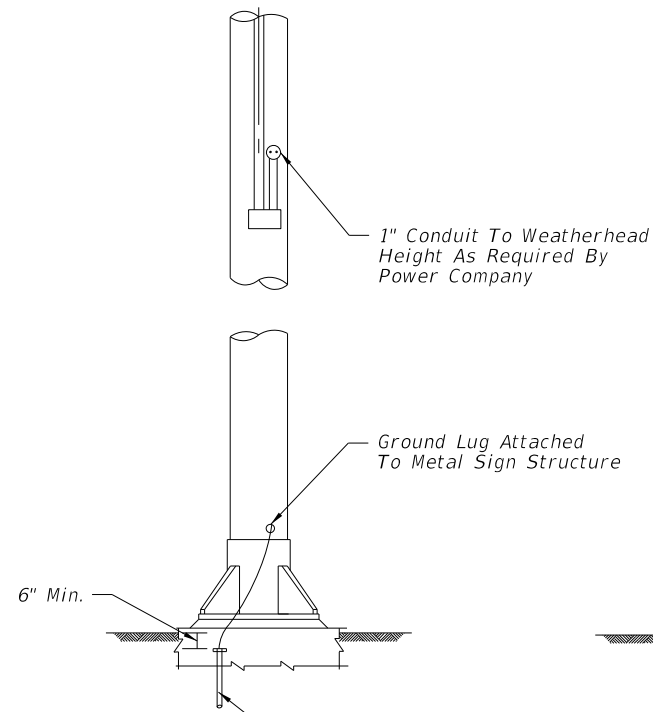
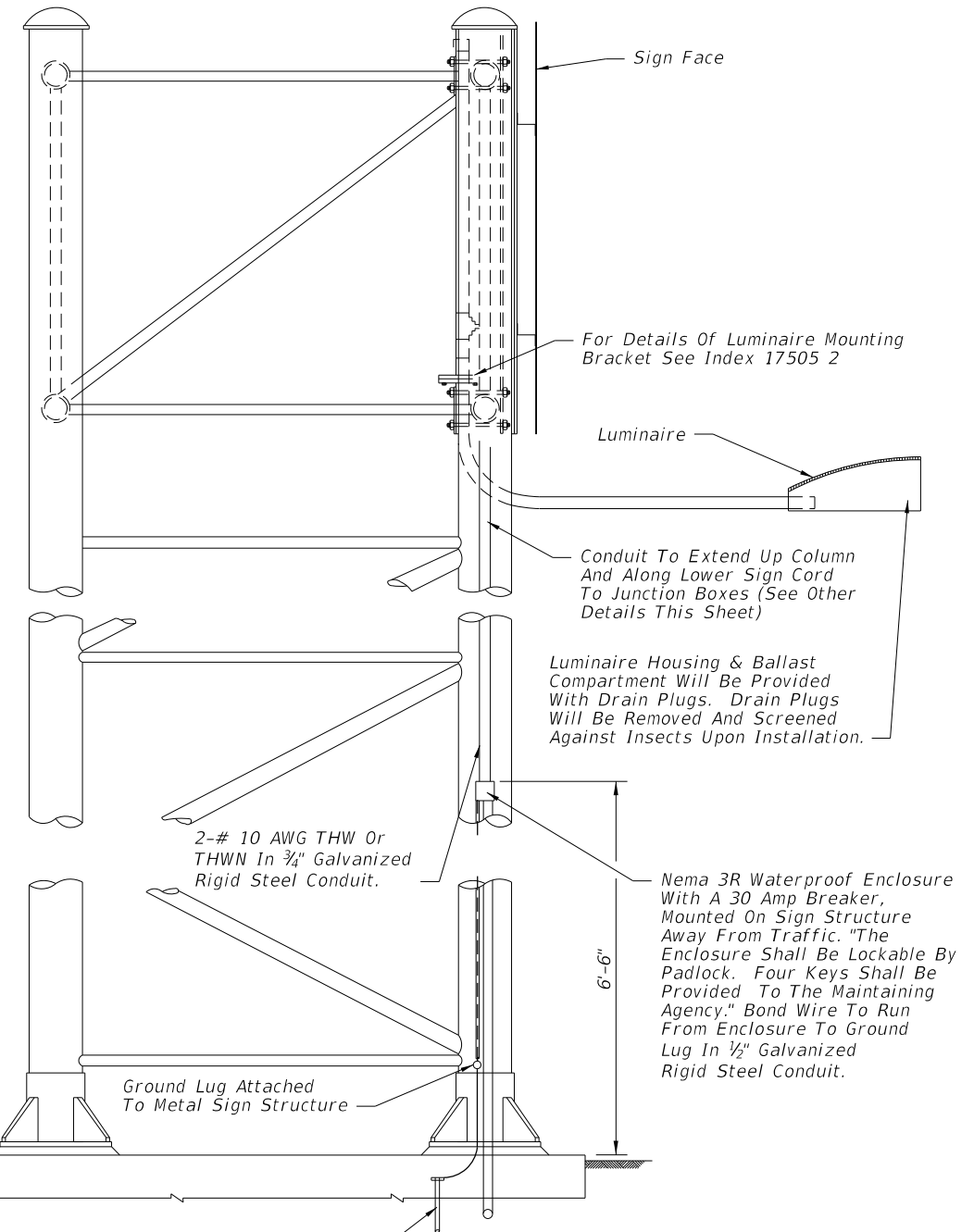
Roadway Lighting not included in contract:

The signing plans shall include pay item numbers to furnish and install conduit, conductors, ground rods, pull boxes and service point equipment. The signing plans shall indicate the location of the service point equipment and circuit runs. The signing contractor shall provide all electrical equipment necessary for connection of the sign lights.



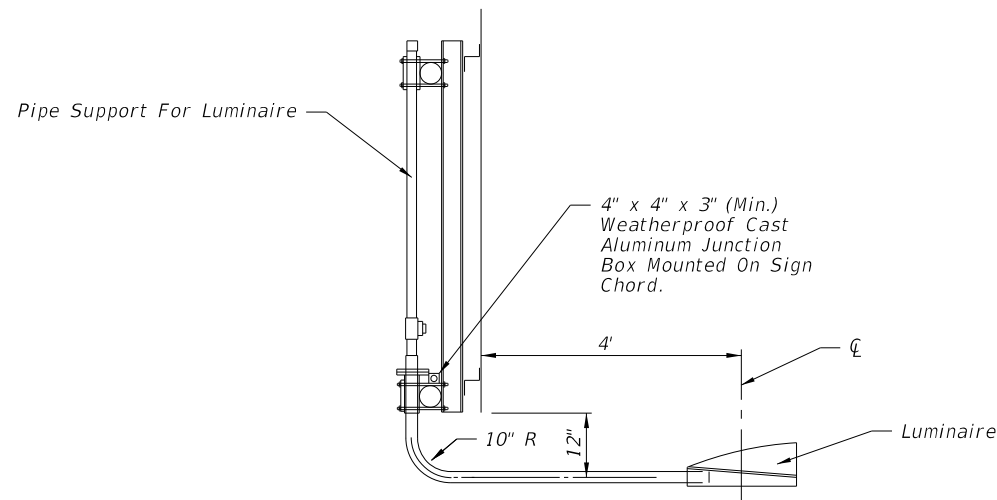
PLACEMENT OF SIGN LIGHTS

1. Luminaire shall be mounted so the lamp center is 4' in front of the sign face.
2. Luminaire shall be mounted so the back of the fixture is placed 1' below the bottom edge of the sign face.
3. Luminaires from manufacturers who recommended their fixture be tilted shall be mounted on a bracket which provides this recommended tilt.
4. Photometric data for the Induction luminaire proposed for sign lighting shall be submitted for approval to the District Lighting Engineer, Florida Department Of Transportation.



**PLAN
OVERHEAD POWER SUPPLY**

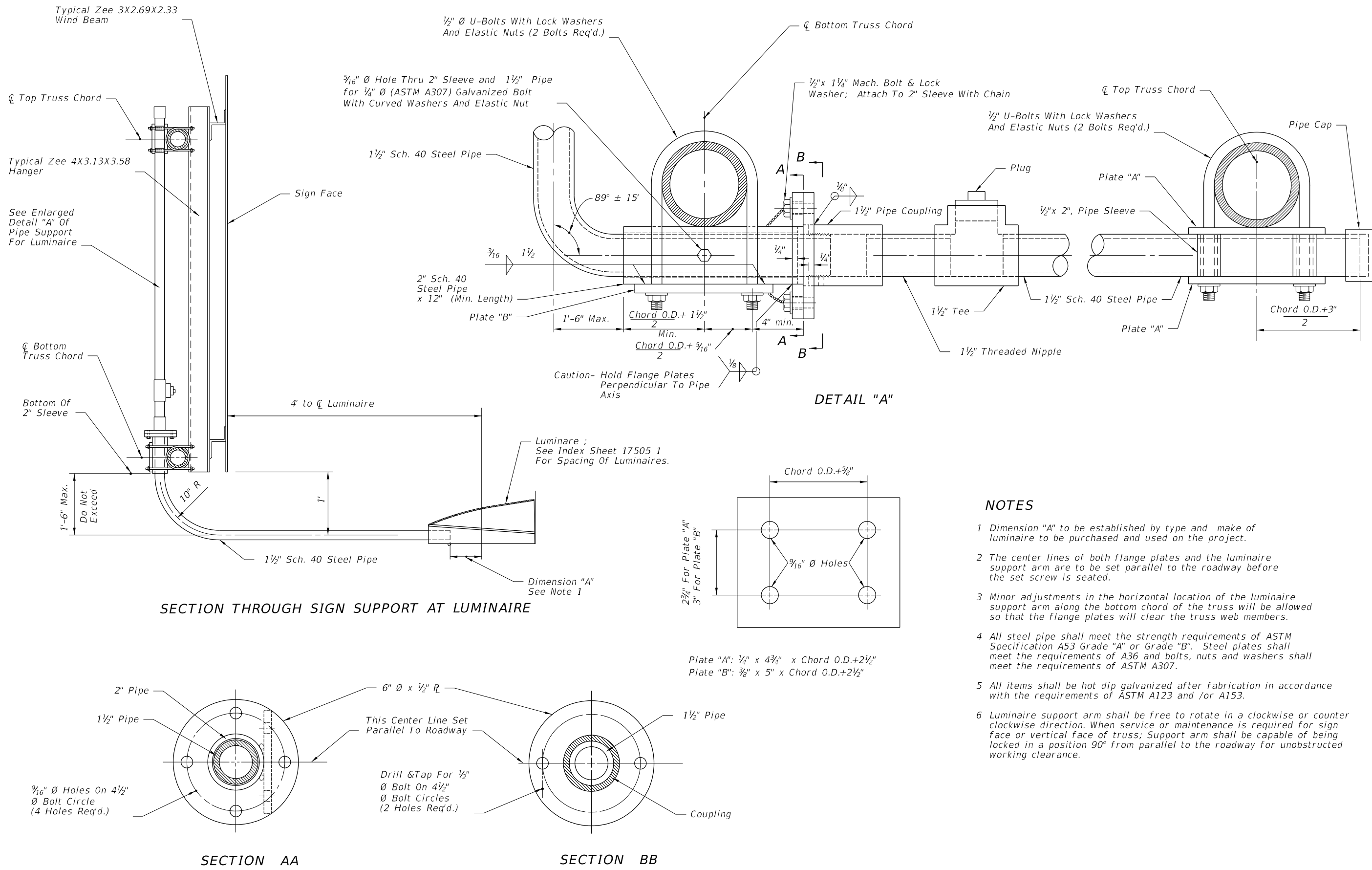
U.L. Approved Ground Rod 5/8" x 20' Copper Clad With Approved Ground Connection To Be Placed In Pull Box For Inspection Purposes. Splices To Be Made With Compression Sleeves Then Properly Insulated & waterproofed



12/30/2011 11:49:07 AM r0960/h C:\projects\standards\roadway\17500-s\17505-01.dgn


LAST REVISION	01/01/12	DESCRIPTION:	FDOT DESIGN STANDARDS FY 2012/2013	EXTERNAL LIGHTING FOR SIGNS	INDEX NO.	SHEET NO.
					17505	1

12/30/2011 11:49:08 AM r0960/h C:\projects\standards\roadway\17500-s\17505-02.dgn



NOTES

- 1 Dimension "A" to be established by type and make of luminaire to be purchased and used on the project.
- 2 The center lines of both flange plates and the luminaire support arm are to be set parallel to the roadway before the set screw is seated.
- 3 Minor adjustments in the horizontal location of the luminaire support arm along the bottom chord of the truss will be allowed so that the flange plates will clear the truss web members.
- 4 All steel pipe shall meet the strength requirements of ASTM Specification A53 Grade "A" or Grade "B". Steel plates shall meet the requirements of A36 and bolts, nuts and washers shall meet the requirements of ASTM A307.
- 5 All items shall be hot dip galvanized after fabrication in accordance with the requirements of ASTM A123 and /or A153.
- 6 Luminaire support arm shall be free to rotate in a clockwise or counter clockwise direction. When service or maintenance is required for sign face or vertical face of truss; Support arm shall be capable of being locked in a position 90° from parallel to the roadway for unobstructed working clearance.

LAST REVISION	REVISION	DESCRIPTION:	 FDOT DESIGN STANDARDS FY 2012/2013	EXTERNAL LIGHTING FOR SIGNS	INDEX NO.	SHEET NO.
07/01/02					17505	2