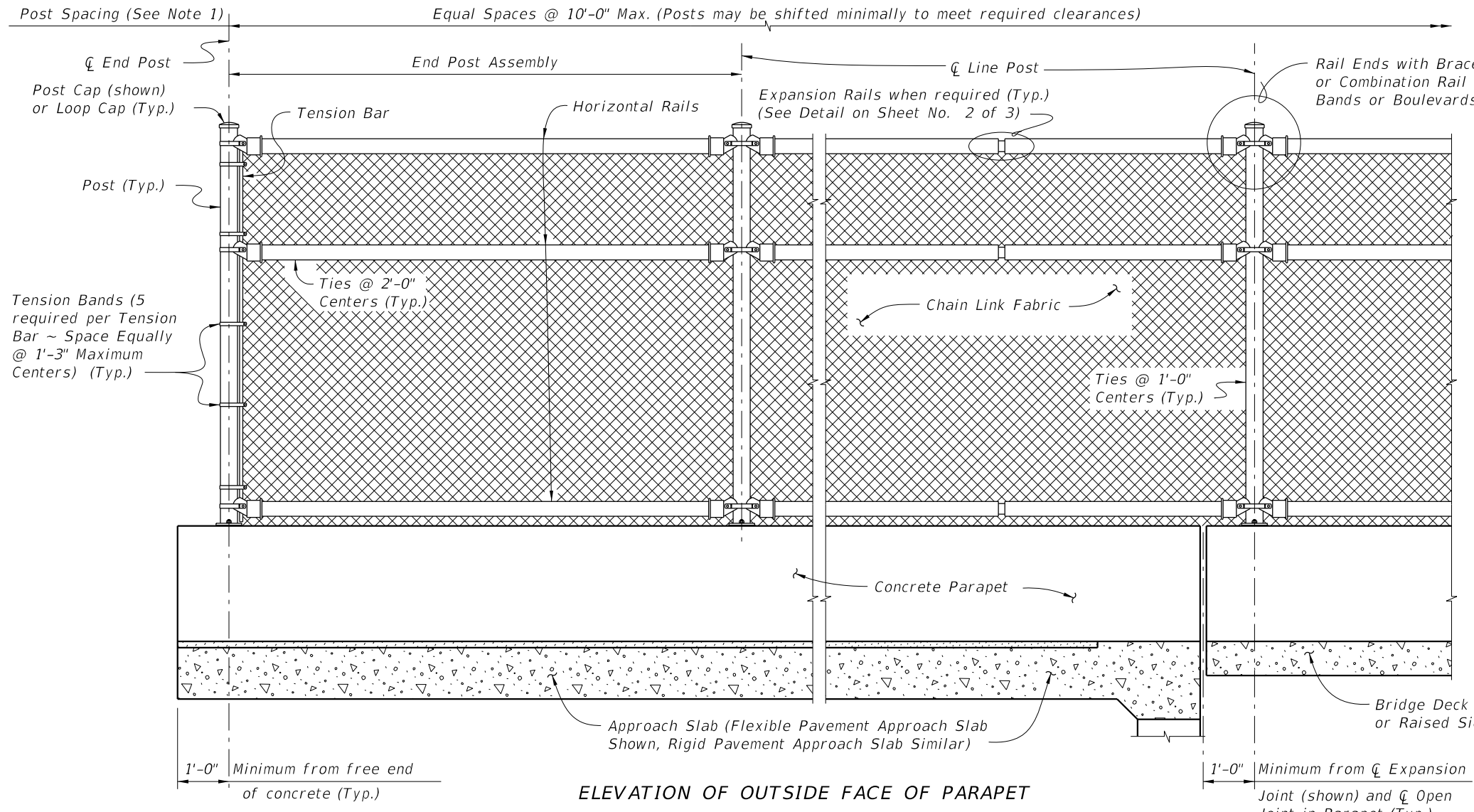
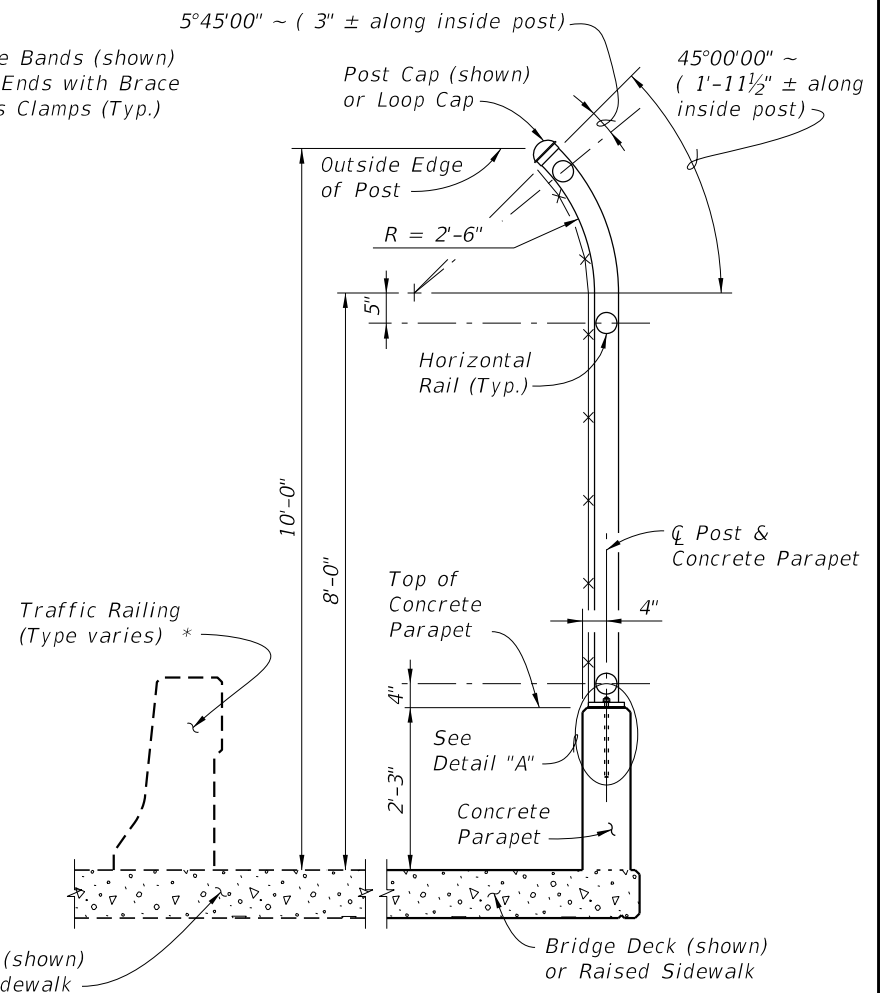


C:\projects\standards\structures\current\ready\release\_2012\book\_draft\00811-1of3.dgn  
 rd960rh  
 11:46:09 AM  
 12/30/2011



**ELEVATION OF OUTSIDE FACE OF PARAPET**

**NOTES:**  
 1. A Pull Post Assembly is required at maximum intervals of 500'-0". See Sheet No. 2 of 3.



**TYPICAL SECTION**

\* Fencing shall not anchor to the top of Traffic Railings.

**FENCING NOTES**

**FENCE APPLICATION:**  
 This bridge fence can only be used on sidewalk installations separated from traffic by a traffic railing.


**FENCE INSTALLATION:**  
 Install posts plumb (within a tolerance of ± 1/2"). Use shim plates as required to achieve plumb. The required quantity and thickness of shim plates will be determined in the field. Install chain link fence in accordance with ASTM F 567 as applicable.

**CONCRETE PARAPET DETAILS:**  
 See Index No. 820 - Pedestrian/Bicycle Bullet Railing for Concrete Parapet details. Provide fencing in lieu of aluminum bullet railing as shown on Index No. 820.

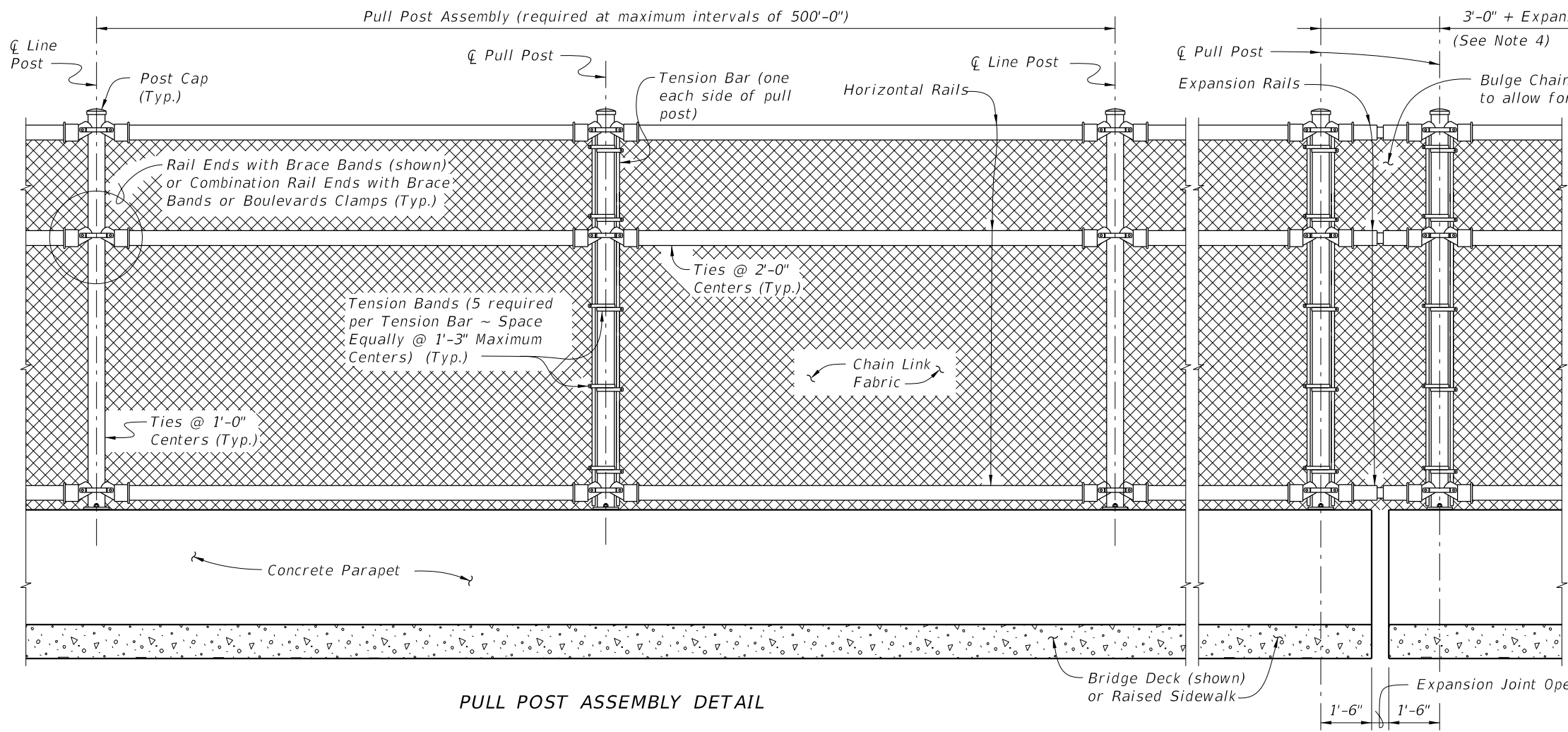
**LIMITS OF FENCING:**  
 Limits of fencing are from begin of approach slab at Begin Bridge to end of approach slab at End Bridge, unless otherwise shown in the plans.

**PAYMENT:**  
 Payment will be made under Fencing, Type R. Payment includes posts, horizontal and expansion rails, brace bands, rail ends, combination rail ends, boulevard clamps, chain link fabric, ties, tension bars and bands, post and loop caps, base plates, anchor rods, bolts, nuts, washers, shim plates, neoprene pads, miscellaneous fence fittings and hardware and all incidental materials and labor required to complete installation of the fence.

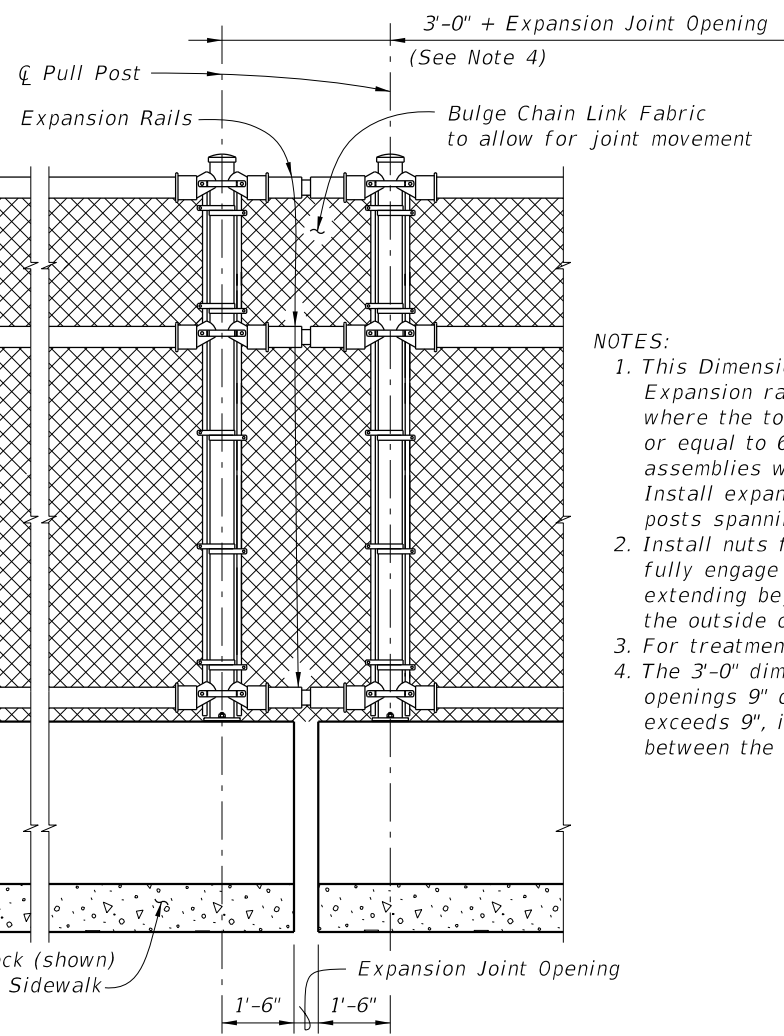
**CROSS REFERENCE:**  
 For Table of Fence Components and Pull Post Assembly Detail see Sheet No. 2 of 3.  
 For Table of Post Attachment Components and Detail "A" see Sheet No. 3 of 3.

LAST REVISION	REVISION	DESCRIPTION:	 <b>FDOT DESIGN STANDARDS</b> FY 2012/2013	<b>BRIDGE FENCING (CURVED TOP)</b>	INDEX NO.	SHEET NO.
01/01/12					<b>811</b>	<b>1</b>

C:\projects\standards\structures\current\ready\4release\2012book\_draft\00811-2of3.dgn  
 rd960rh  
 11:46:10 AM  
 12/30/2011



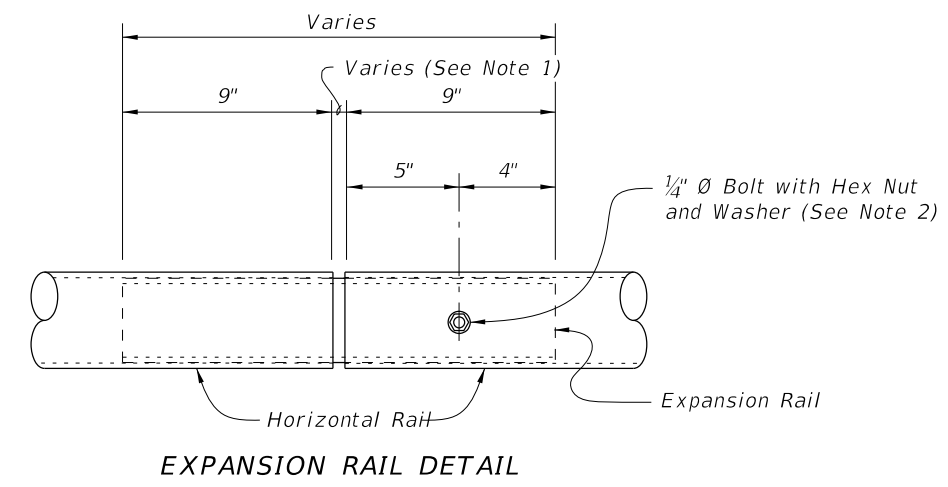
**PULL POST ASSEMBLY DETAIL**



**EXPANSION ASSEMBLY DETAIL**

(Required only at expansion joint locations where total movement exceeds 6")

- NOTES:**
1. This Dimension is the expansion joint opening plus 1/4". Expansion rails are required at expansion joint locations where the total movement exceeds 1", but is less than or equal to 6". Expansion rails are part of expansion assemblies when the total movement exceeds 6". Install expansion rails midway between the fence posts spanning the expansion joint.
  2. Install nuts for expansion rails finger-tight. Nuts will fully engage bolts with a minimum of one bolt thread extending beyond the nuts. Distort the first thread on the outside of the nut to prevent loosening.
  3. For treatment at bridge ends, see Sheet No. 1 of 3.
  4. The 3'-0" dimension shown is for expansion joint openings 9" or less. If the expansion joint opening exceeds 9", increase this dimension by the difference between the expansion joint opening and 9".



**EXPANSION RAIL DETAIL**

TABLE OF CHAIN LINK FENCE COMPONENTS		
COMPONENT	ASTM DESIGNATION	COMPONENT INFORMATION
Posts	F 1083	Galvanized Steel Pipe - 3 1/2" NPS, Schedule 40 (4.000" Outside Diameter, 0.226" Wall Thickness)
Horizontal Rails	F 1083	Galvanized Steel Pipe - 3" NPS, Schedule 40 (3.500" Outside Diameter, 0.216" Wall Thickness)
Expansion Rails	F 1083	Galvanized Steel Pipe - 2 1/2" NPS, Schedule 40 (2.875" Outside Diameter, 0.203" Wall Thickness)
Bolts	A 307	1/4" Ø x 4 1/4" Hex Head Bolts for Expansion Rail Connections
Nuts	A 563	Hex Nuts for Expansion Rail Connections
Washers	F 436	Flat Washers for Expansion Rail Connections
Chain Link Fabric (2" mesh with twisted top and knuckled bottom selvage)	A 392	Zinc Coated Steel - No. 9 gage (coated wire diameter), Class 2 Coating
	A 491	Aluminum Coated Steel - No. 9 gage (coated wire diameter)
	F 668	Polyvinyl Chloride (PVC) Coated Steel - No. 9 gage Zinc Coated Wire (metallic-coated core wire diameter) ~ Specify the color of the polymer coating in the General Notes
Tie Wires	F 626	Zinc Coated Steel Wire - No. 9 gage
Brace Bands	F 626	No. 12 Gage (Min. thickness) x 3/4" (Min. width) Steel Bands (Beveled or Heavy)
Tension Bars	F 626	3/16" (Min. thickness) x 3/4" (Min. width) x Variable Height Steel Bars ~ Height = Post Length along inside Post - 2" Max.
Tension Bands	F 626	No. 14 Gage (Min. thickness) x 3/4" (width) Steel Bands
Miscellaneous Fence Components	F 626	Zinc Coated Steel ~ (includes post or loop caps, horizontal and brace rail ends, combination rail ends, boulevard clamps and all other miscellaneous fittings and hardware)

LEGEND: NPS = Nominal Pipe Size

12/30/2011 11:46:11 AM rd960rh C:\projects\standards\structures\current\ready\4release\2012book\_draft\00811-3of3.dgn

TABLE OF POST ATTACHMENT COMPONENTS		
COMPONENT	ASTM DESIGNATION	COMPONENT INFORMATION
Base Plates	A 36 or A 709 Grade 36	$\frac{3}{4}$ " Steel $R$
Shim Plates	A 36 or A 709 Grade 36 or B 209 Alloy 6061-T6 or B 221 Alloy 6063-T5	Plate thicknesses as required, Holes in shim plates will be $\frac{3}{4}$ " $\emptyset$
Adhesive Anchor Rods	F 1554 Grade 36	Fully threaded Headless Anchor Rods $\sim \frac{7}{8}$ " $\emptyset$ x $14\frac{1}{2}$ "
C-I-P Anchor Rods	F 1554 Grade 36	Hex Head Anchor Rods $\sim \frac{7}{8}$ " $\emptyset$ x $14\frac{1}{2}$ "
Nuts	A 563	Hex Nuts for Base Plate Connections
Washers	F 436	Flat Washers for Base Plate Connections
Neoprene Pads	-	In accordance with Specification Section 932

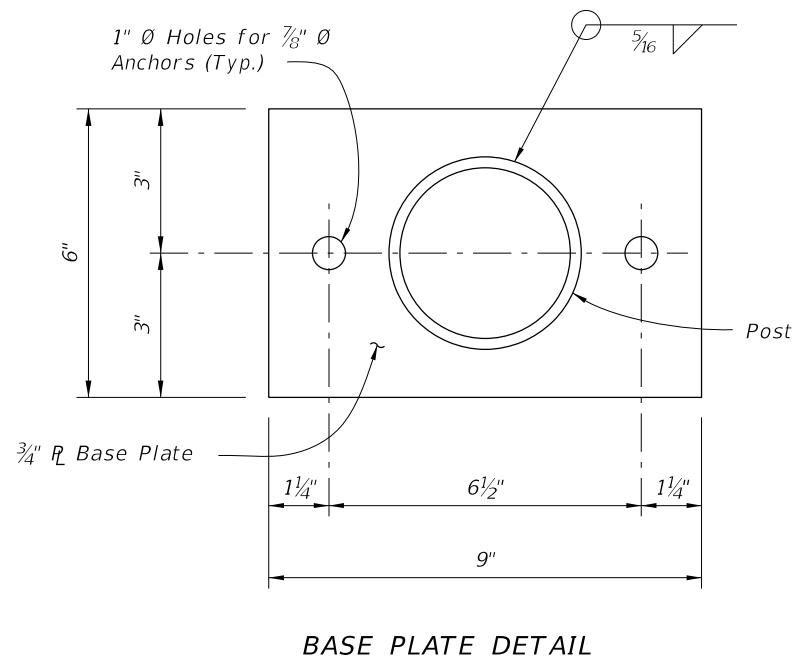
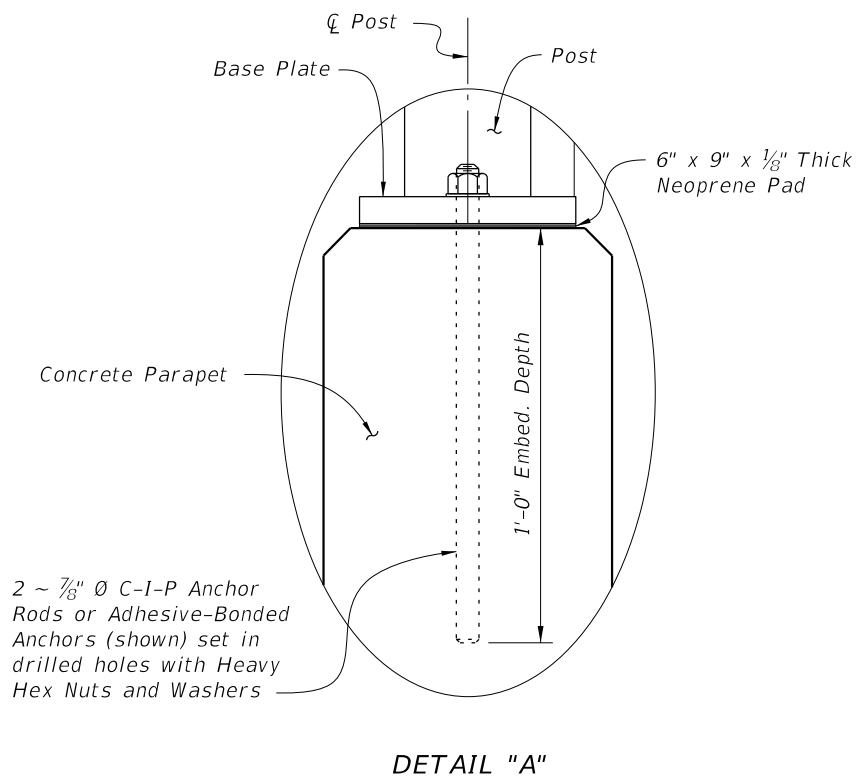
**POST ATTACHMENT NOTES**

**ANCHOR RODS, NUTS AND WASHERS:**  
After the nuts have been tightened, distort the Anchor Rod threads to prevent removal of the nuts. Coat distorted threads and exposed trimmed ends of anchors with a galvanizing compound in accordance with Specification Section 975.

**COATINGS:**  
Hot-dip galvanize all Nuts, Washers, Bolts, C-I-P Anchor Rods, Adhesive Anchors and Fence Framework (Posts, Internal Sleeves, Shim Plates and Base Plates) in accordance with Specification Section 962. Hot-dip galvanize Fence Framework after fabrication.

**ADHESIVE-BONDED ANCHORS AND DOWELS:**  
Adhesive Bonding Material Systems for Anchors and Dowels will comply with Specification Section 937 and be installed in accordance with Specification Section 416. Cutting of reinforcing steel is permitted for drilled hole installation.

**WELDING:**  
All welding will be in accordance with the American Welding Society Structural Welding Code (Steel) ANSI/AWS D1.1 (current edition). Weld metal will be E60XX or E70XX. Nondestructive testing of welds is not required.



CROSS REFERENCE:  
For location of Detail "A" see Sheet No. 1 of 3.

LAST REVISION 07/01/08	DESCRIPTION:	 <b>FDOT DESIGN STANDARDS</b> FY 2012/2013	<b>BRIDGE FENCING (CURVED TOP)</b>	INDEX NO. <b>811</b>	SHEET NO. <b>3</b>