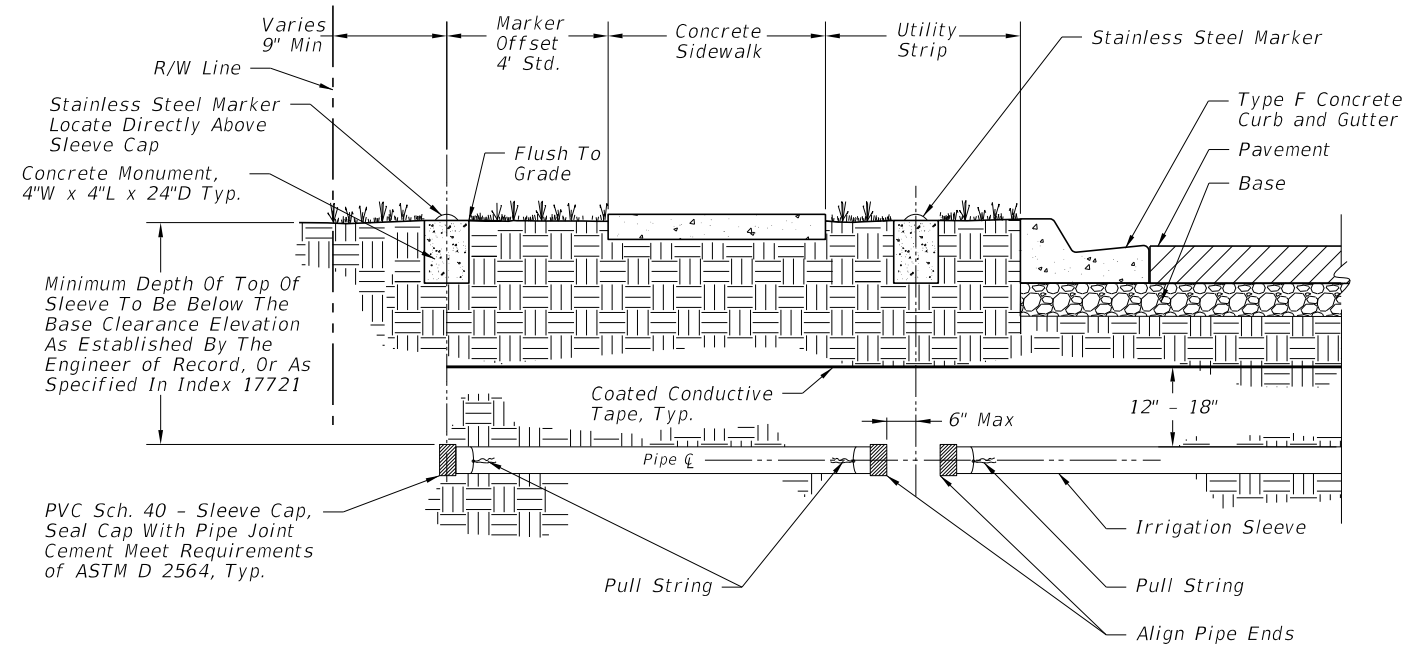
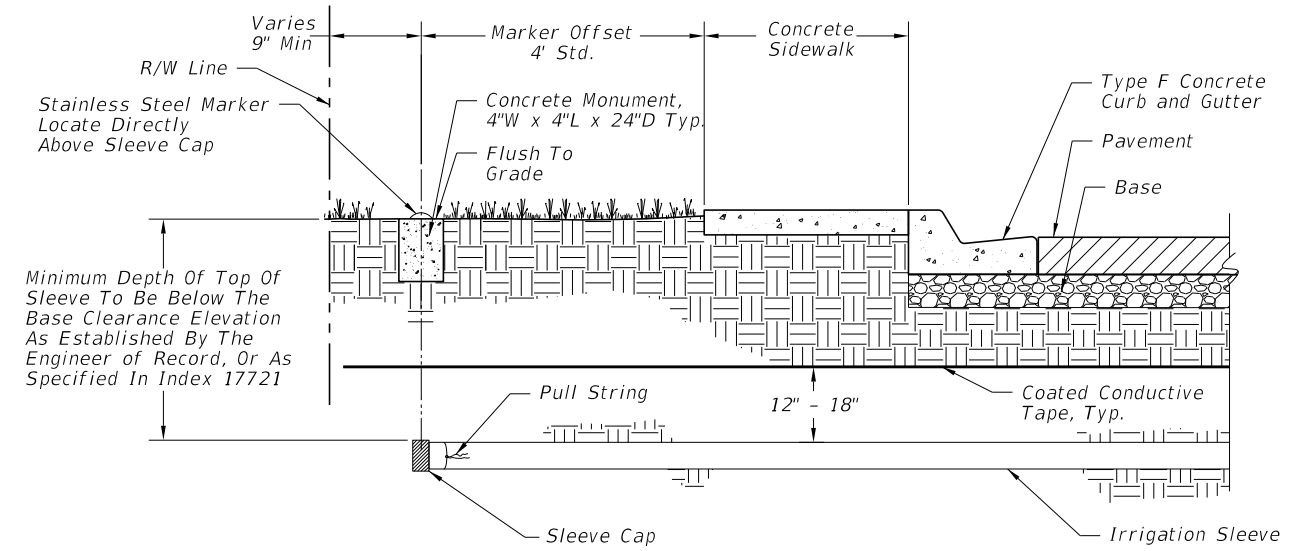


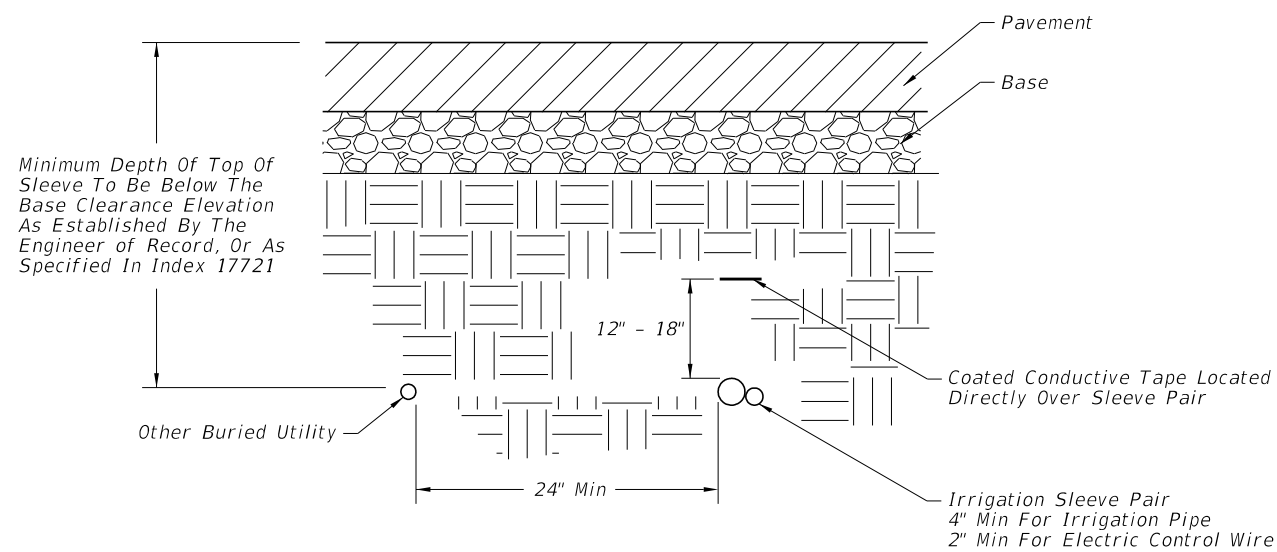
C:\projects\standards\landscap\00500-s\00591-01.dgn
r0960/h
10:02:35 AM
12/30/2011



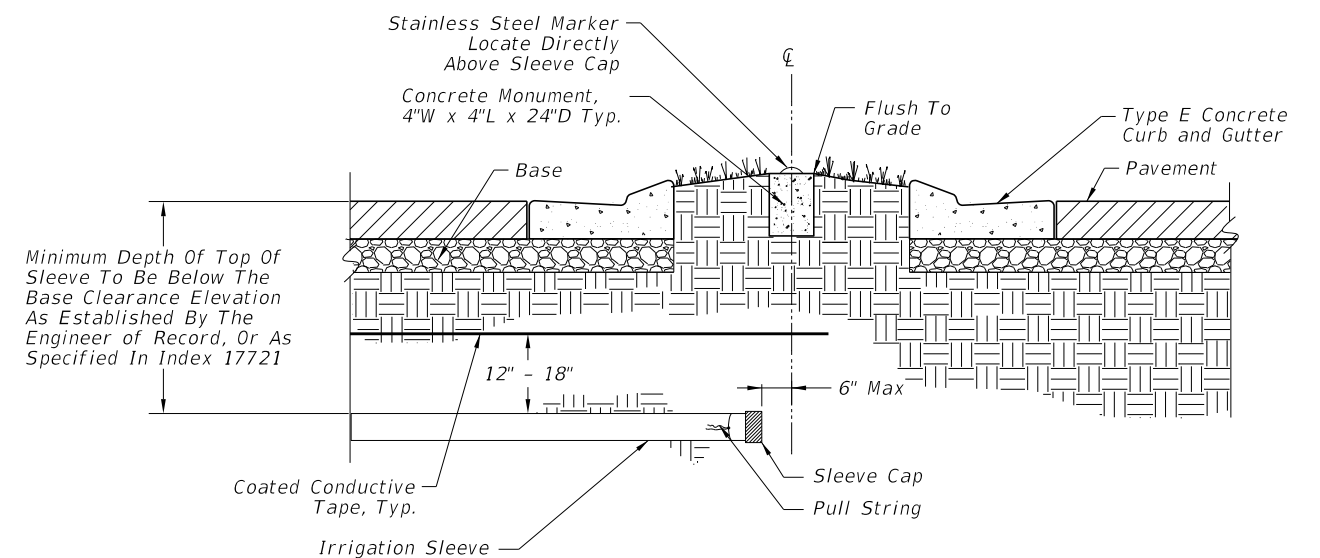
ROADWAY WITH UTILITY STRIP - DETAIL A



ROADWAY WITHOUT UTILITY STRIP - DETAIL B



ROADWAY CROSS SECTION - DETAIL C



ROADWAY MEDIAN - DETAIL D

GENERAL NOTES:

1. Irrigation Sleeve Installation Details are for constructing a pair of Irrigation Sleeves beneath the proposed roadway prior to beginning roadway construction operations. Install either Sch. 40 PVC or HDPE Sleeves in accordance with Specification Sections 555 and/or 630. For Irrigation Sleeve Installation beneath existing roadways and electrical conduit requirements for existing roadways, see Index No. 17721.
2. Contractor shall install Irrigation Sleeves in accordance with applicable Florida Plumbing Codes and Florida Department of Environmental Protection (FDEP) Rules and Regulations. Irrigation Sleeves containing reclaimed water lines shall follow FDEP Rules and Regulations; and adhere to local Utility and Water Management District Regulations.
3. A Stainless Steel Marker shall be permanently affixed to the top of the Concrete Monument located directly above the Sleeve Cap. Each Marker shall be preprinted with the message: "IRRIGATION SLEEVE BELOW."
4. Coated Conductive Tape shall be installed directly above the sleeve and shall be preprinted with repeated warnings of either: "CAUTION WATER LINE BURIED BELOW" or "CAUTION RECLAIMED WATER LINE BURIED BELOW", or as otherwise approved by the Engineer.
5. For Directional Bore, Coated Conductive Tape to be omitted and replaced with locate wire per Specification Section 555.
6. When installing Sleeves in a median crossover, Sleeve Pairs shall be along the centerline.
7. Irrigation Sleeves for electrical control wire and irrigation pipe shall be no greater than 12" apart.
8. Sleeves are always installed as a pair. Payment will be made for each sleeve.

PAY ITEM NOTE:

Except where shown on the plans as paid for as 555 - Directional Bore, payment for Landscape Irrigation Sleeves shall be made under 591 regardless of the method of installation selected by the contractor. Payment includes full compensation for all work shown in this Index including but not limited to furnishing and installing the Coated Conductive Tape (or locate wire) and concrete monument(s), as well as the cost of restoring cut pavement, sidewalks, sod and etc. to its original condition. The length will be based on the horizontal path in linear feet of each installed sleeve as measured in a straight line from end cap to end cap.

LAST REVISION	01/01/12	DESCRIPTION:		FDOT DESIGN STANDARDS FY 2012/2013	LANDSCAPE IRRIGATION SLEEVES	INDEX NO.	591	SHEET NO.	1
---------------	----------	--------------	--	--	-------------------------------------	-----------	-----	-----------	---