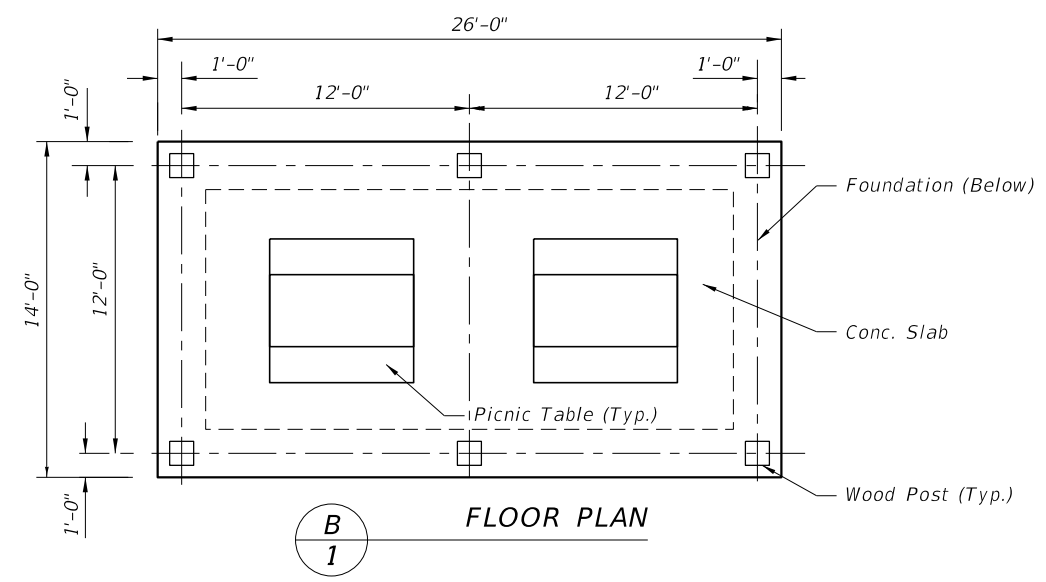
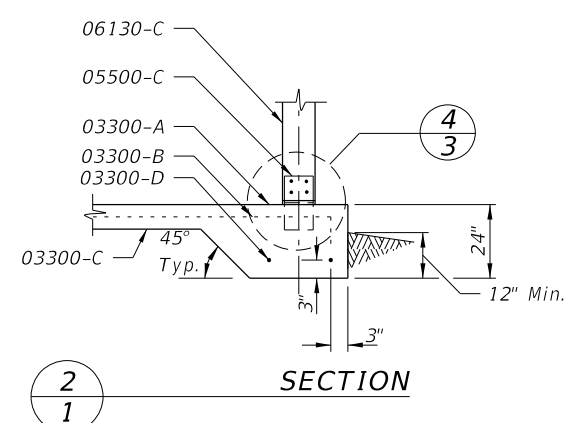
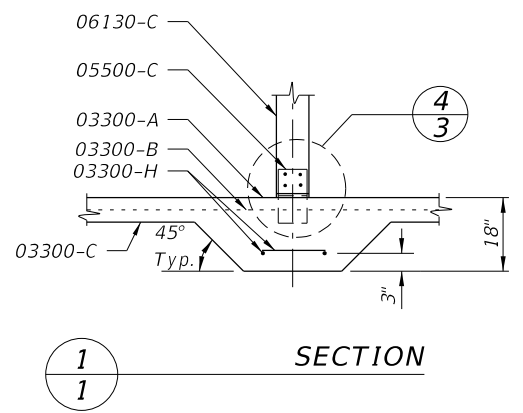
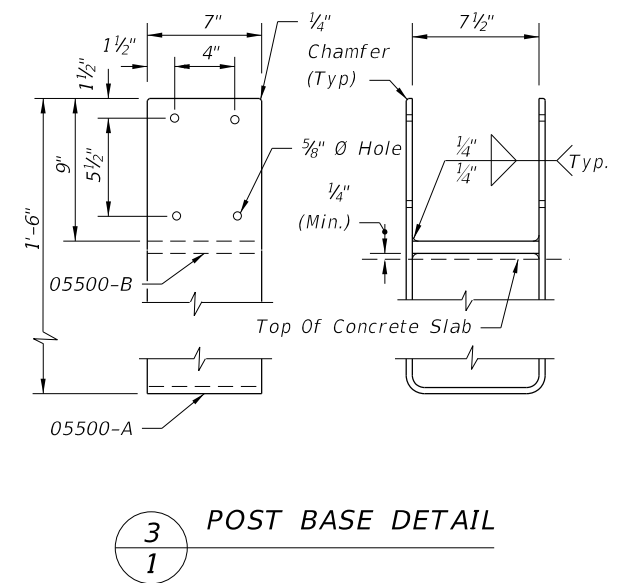


LARGE PAVILION



SMALL PAVILION



NOTES

Keynotes on sheet 2.

FLOOR

6" reinf. concrete slab
w/ WWR 6x6-W1.4xW1.4

Drop footing at slab
perimeter & interior posts see keynotes.

Harden & broom finish slab surface.

STRUCTURE

Posts: 8 x 8 PT

Beams: 4 x 6 PT

Framing: 4x PT as described.

Misc members: 1x and 2x as described.

ROOF

3"x6" T&G wood decking.

30# asphalt impregnated fiberglass felt u
nderlayment.

Standing seam metal roof (24 GA Steel or
0.032 Alum.) w/ Kynar 500 finish.

Structure, decking and roofing shall be d
esigned to withstand 130 mph wind load.

BUILDING CODE

Picnic pavilions shall be constructed a
ccording to the requirements of the a
ppropriate sections of the "Florida Building
Code", current, adopted edition.

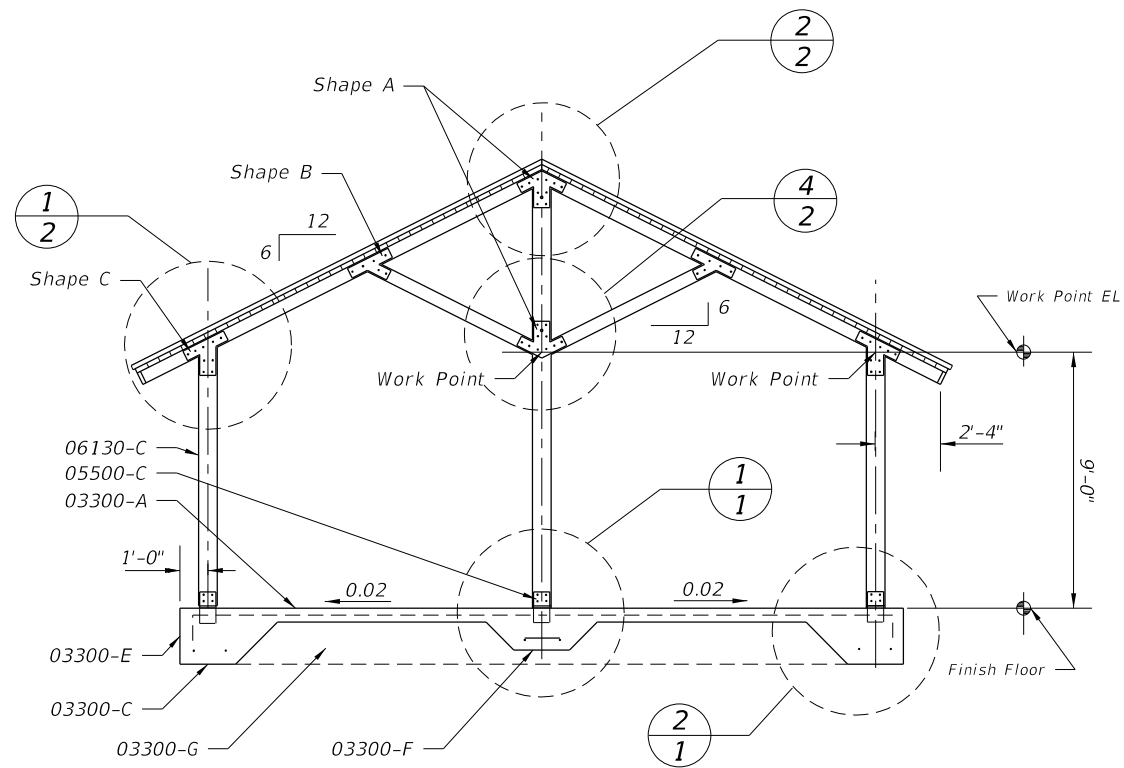
PICNIC TABLES

Picnic tables and benches shall be 6'x6'
w/heavy galvanized pipe frames and
recycled plastic wood seats and table tops.
All tables shall be of walk thru design
suitable for exterior locations. Pavilions
shall meet the requirements of the
Americans With Disabilities Act (ADA)
accessibility guidelines. A minimum of 20%
of picnic tables to meet ADA.

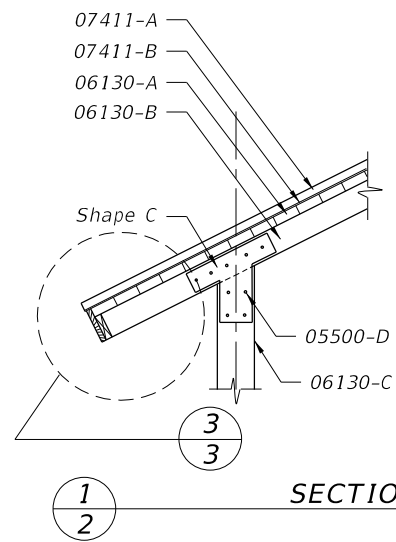
12/30/2011 11:44:46 AM r19960/h C:\projects\standards\roadway\00500-s\00530-01.dgn

LAST REVISION	01/01/12	DESCRIPTION:	FDOT DESIGN STANDARDS FY 2012/2013	REST AREA PAVILION	INDEX NO.	530	SHEET NO.	1
------------------	----------	--------------	--	---------------------------	--------------	-----	--------------	---

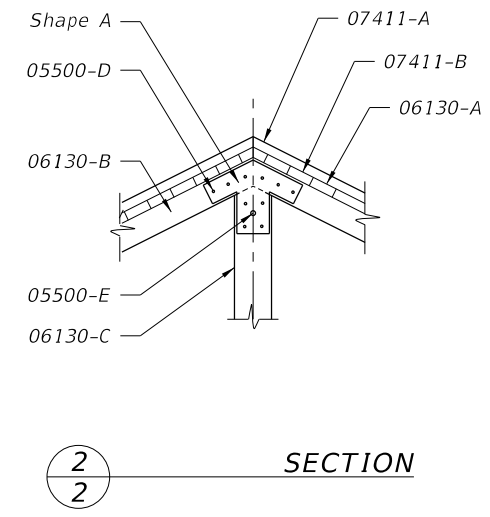
12/30/2011 11:44:47 AM r0960/h C:\projects\standards\roadway\00500-s\00530-02.dgn



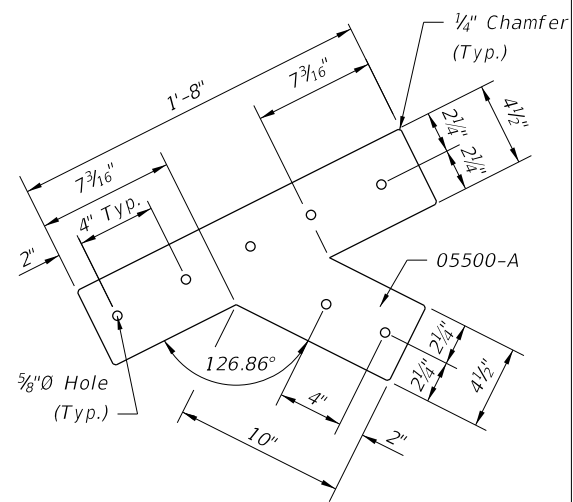
A LARGE PAVILION SECTION



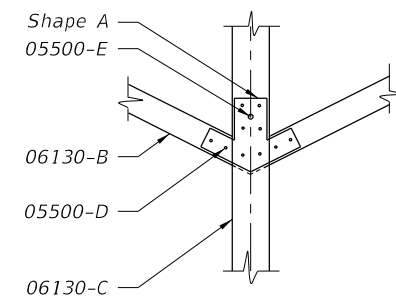
3 SHAPE B DETAIL



2 SECTION



6 SHAPE C DETAIL



4 SECTION

KEYNOTES

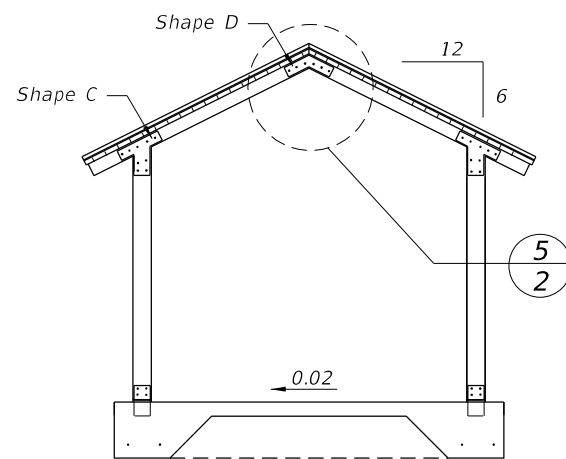
- 03300-A Class II 6" conc slab
- 03300-B 6"x6"-W1.4xW1.4 @ \angle of slab
- 03300-C 6 mil vapor barrier
- 03300-D #5 rebar cont. (2 required)
- 03300-E 24" cont. drop footing
- 03300-F 18"x18" drop footing
- 03300-G 6" min comp sand fill
- 03300-H #5x18" rebar (4 required)

- 05500-A 3/8" galv. steel plate
- 05500-B 1/2" galv. steel plate
- 05500-C post base.
- 05500-D 1/2" Ø bolt, washer & nut (typ.)
- 05500-E 3/4" Ø eyebolt, washer & nut for cross brace bars
- 05500-F 1/2" Ø steel rod w/turnbuckle

- 06130-A 3"x6" T&G wood decking
- 06130-B 4"x6" PT wood frame
- 06130-C 8"x8" PT wood post
- 06130-D 2"x6" PT wood sub fascia
- 06130-E 1"x10" PT wood fascia
- 06130-F 3/4" ± wood shim

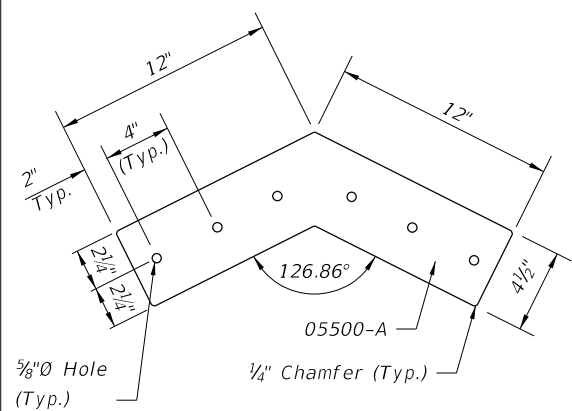
- 07411-A Standing seam metal roof
- 07411-B Felt underlayment

Alternate Material Note: These structures are shown with timber frames and decking. Alternate materials (i.e., aluminum, steel, etc.) may be used when submittals are signed and sealed by a specialty engineer as per Section 5 of the Standard Specifications and when approved by the Engineer.

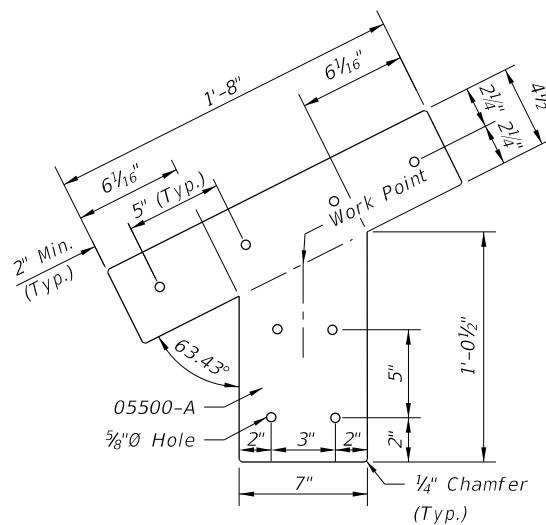


B SMALL PAVILION SECTION

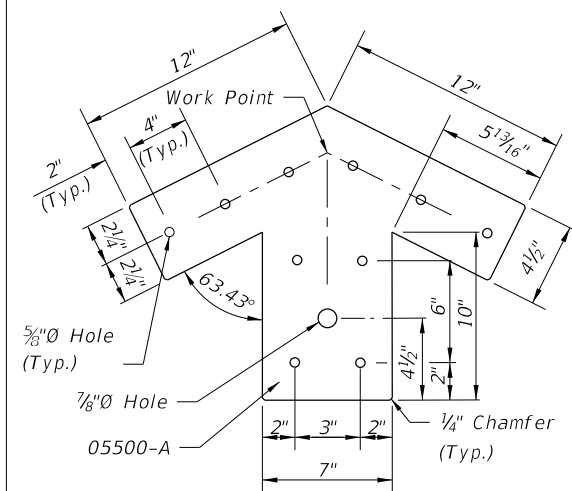
NOTE: DETAILS TO MATCH THOSE OF LARGE PICNIC PAVILION



5 SHAPE D DETAIL



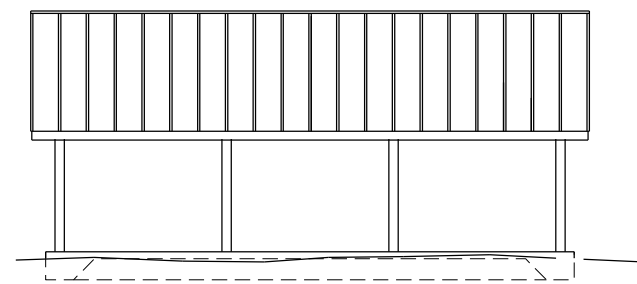
6 SHAPE C DETAIL



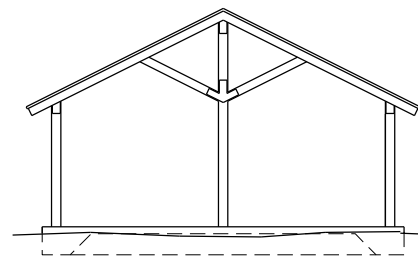
7 SHAPE A DETAIL

LAST REVISION	DESCRIPTION:
01/01/12	

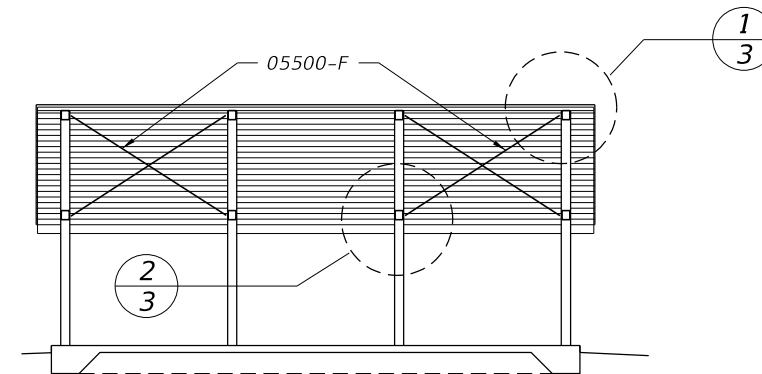
12/30/2011 11:44:48 AM r1960/h C:\projects\standards\roadway\00500-s\00530-03.dgn



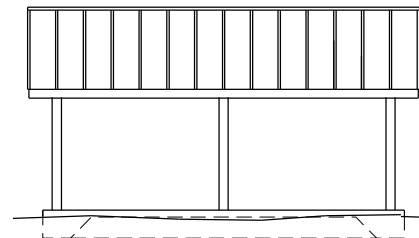
A
3 SIDE ELEVATION



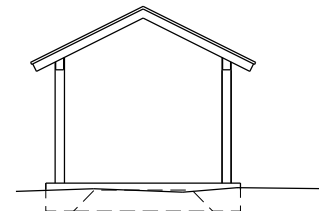
B
3 END ELEVATION



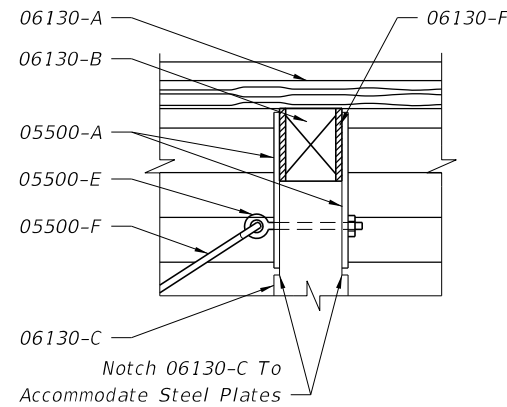
C
3 SECTION



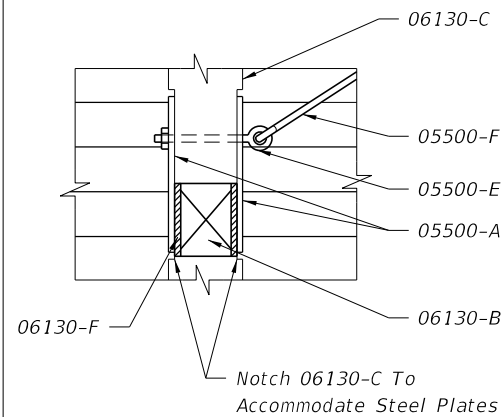
D
3 SIDE ELEVATION



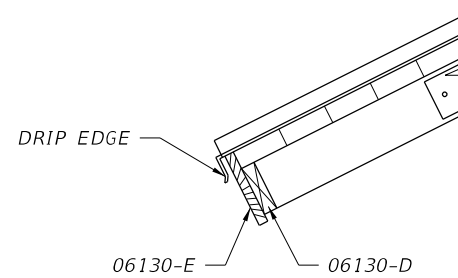
E
3 END ELEVATION



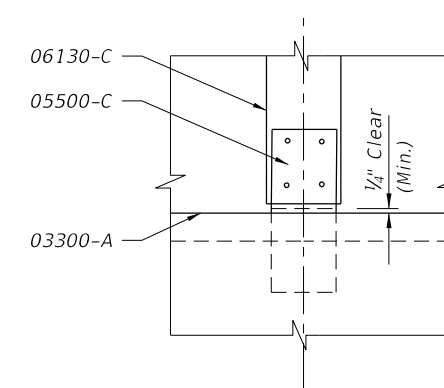
1
3 DETAIL



2
3 DETAIL



3
3 DETAIL
Similar At Roof Rake



4
3 DETAIL

SPECIFICATIONS

Keynotes On Sheet 2.

CONCRETE

Concrete: FDOT Class II.

Reinforcing Bars: ASTM A615, Grade 60.

Welded Wire Fabric: ASTM A-185.

Vapor Barrier: Black 6-Mil Polyethylene.

STEEL

Galvanized Steel Plate: Steel Plate ASTM A36 or A709.

Provide galvanizing in accordance with the requirements of ASTM A123.

Galvanized Fasteners: High-Strength bolts and nuts, ASTM A325 in accordance with Specification Section 962.

Galvanize shapes after fabrication, make field repairs to galvanizing in accordance with Specification Section 562.

WOOD

Comply with American Institute For Timber Construction AITC 108, "Standard For Heavy Timber Construction."

For solid wood decking, comply with AITC 112, "Standard For Tongue And Groove Heavy Timber Standard."

Species: Douglas Fir, Hem-fir, or Southern Pine, at fabricator's option.

Preservative Treatment: Pressure treat fabricated members with waterborne solution for above ground use, complying with AWPA U1, category UC3B above ground exposed.

Wood Decking: Predrill decking at 30" centers for lateral spiking to adjacent units. Spikes to be 8" spikes galvanized common.

LAST REVISION	REVISION	DESCRIPTION:	 FDOT DESIGN STANDARDS FY 2012/2013	REST AREA PAVILION	INDEX NO. 530	SHEET NO. 3
01/01/12						