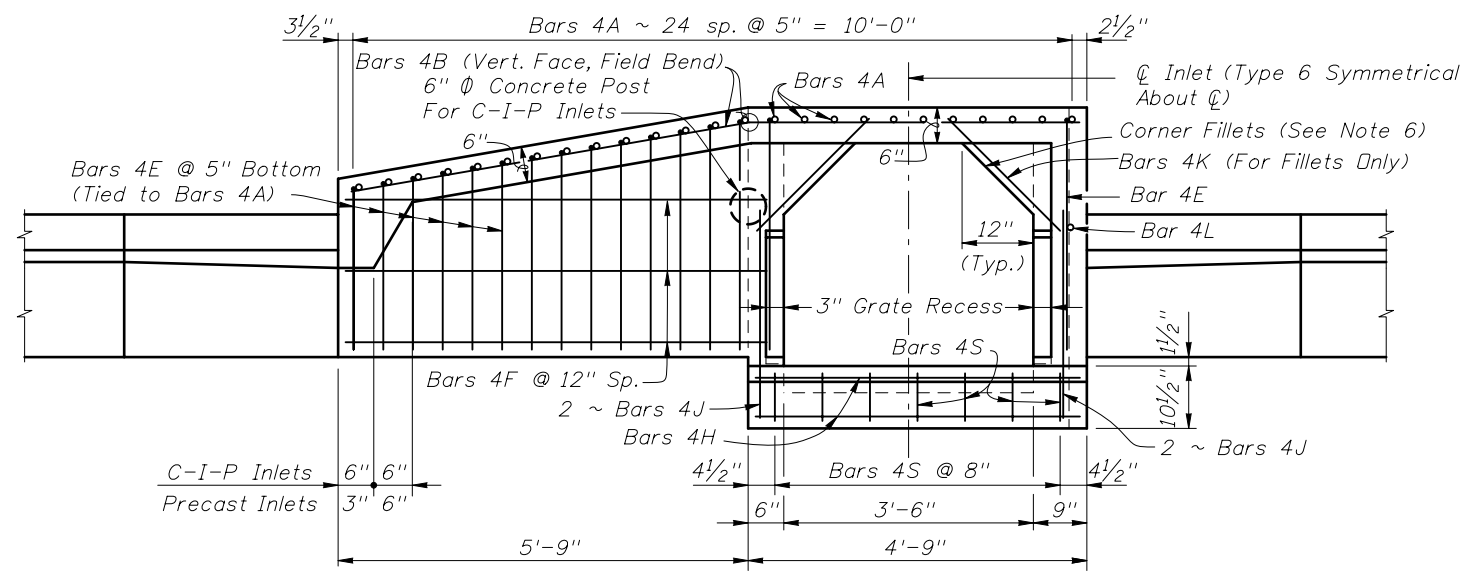
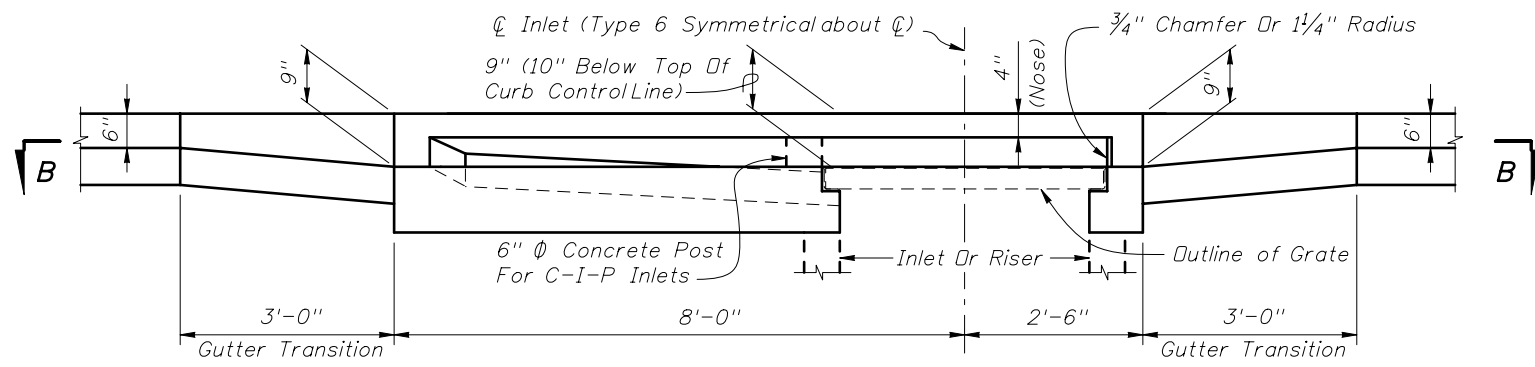


TOP VIEW



SECTION BB

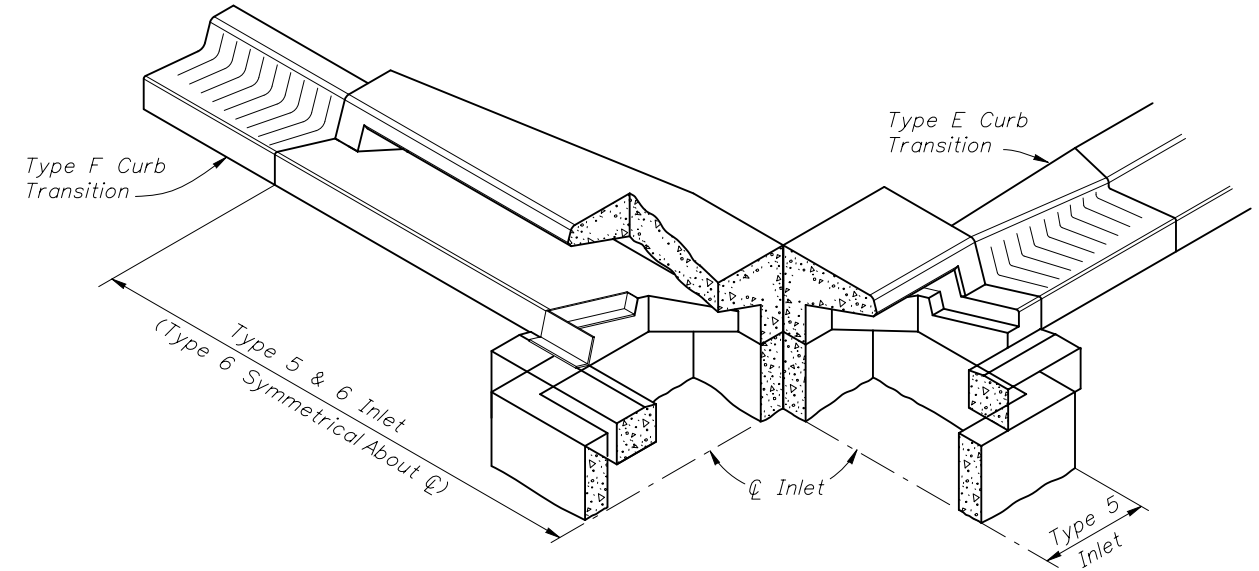


SECTION AA
(At Inlet)

INLET TYPE 5
(Curb Inlet Type 6 Symmetrical With Left Half)

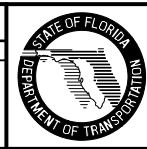
GENERAL NOTES

- The finished grade and slope of the inlet tops are to conform with the finished cross slope and grade of the proposed sidewalk and/or border.
- For inlets constructed on a curve, refer to the plans to determine the radius, and modify the inlet details accordingly. Bend steel when necessary.
- All reinforcing steel to be Grade 60 bars with 1/4" minimum cover unless otherwise shown, see Sheet 4 for equivalent area Welded Wire Reinforcement details.
- Inlet tops shall be either cast-in-place or precast concrete. Precast units shall conform to the dimensions shown or in accordance with approved shop drawing's. Request for shop drawing approval shall be directed to the State Drainage Engineer.
- Concrete meeting the requirements of ASTM C478 (4,000 psi) may be used in lieu of Class II concrete for precast units, manufactured in plants which meet the requirements of Section 449 of the Specifications.
- Corner fillets are required at inlet opening for precast units or C-I-P units used in conjunction with circular inlet bottoms or skewed rectangular inlet boxes. Finish top of fillets flush with drain throat bottom and match slope.
- For inlet bottoms see Index No. 200. Inlet tops are to be used with Type P bottoms, or Type J bottoms with 3'-6" square (Type B), 3'-6" or 4' round (Type A) risers or top slab openings.
- These inlet tops are designed for use with standard curb and gutter Type E and Type F. Locate inlet outside of pedestrian crosswalks. For Type E curb, transition the shape of the curb over the gutter transition length to match the face of the inlet (Type F).
- See Index No. 201 for supplemental details.
- All steel used for frame and grate shall meet the requirements of ASTM A36/A36M.
- Either cast iron grates or steel grates may be used.
- When Alternate "G" grate is specified in the plans either the cast iron grate and galvanized steel frame or the the galvanized steel grate and frame must be used. Grates are to be grouted in accordance with the grouting detail shown on Sheet 5, in lieu of tack welding.
- Inlet to be paid for under the contract unit price for Inlets (Curb) (Type -), Each.



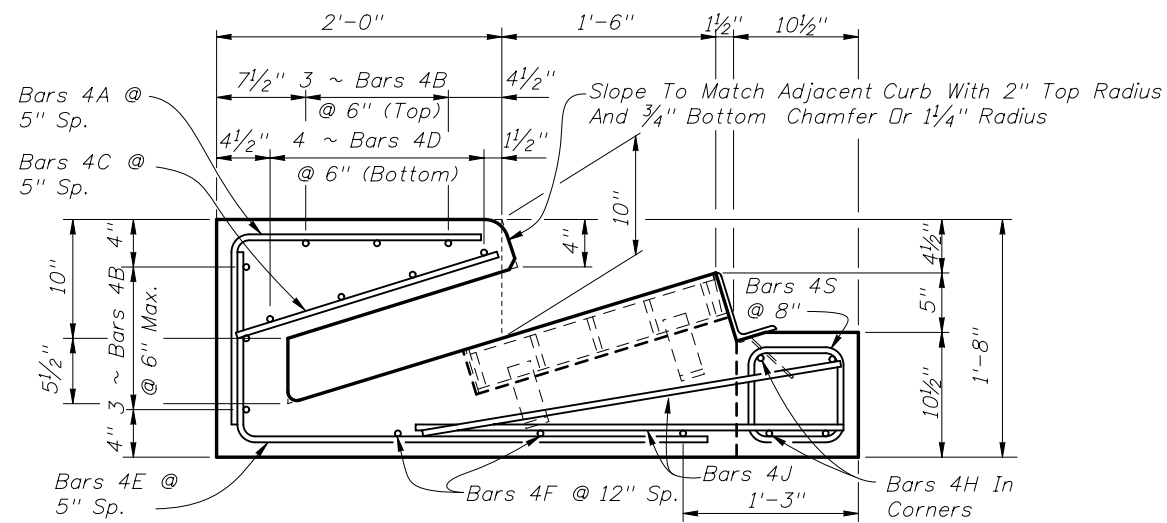
SKETCH SHOWING FRAME SEAT AND THROAT RECESS

REVISIONS					
DATE	BY	DESCRIPTION	DATE	BY	DESCRIPTION
12/16/09	JG	Added Center of Box Location Reference point for TOP VIEW.			

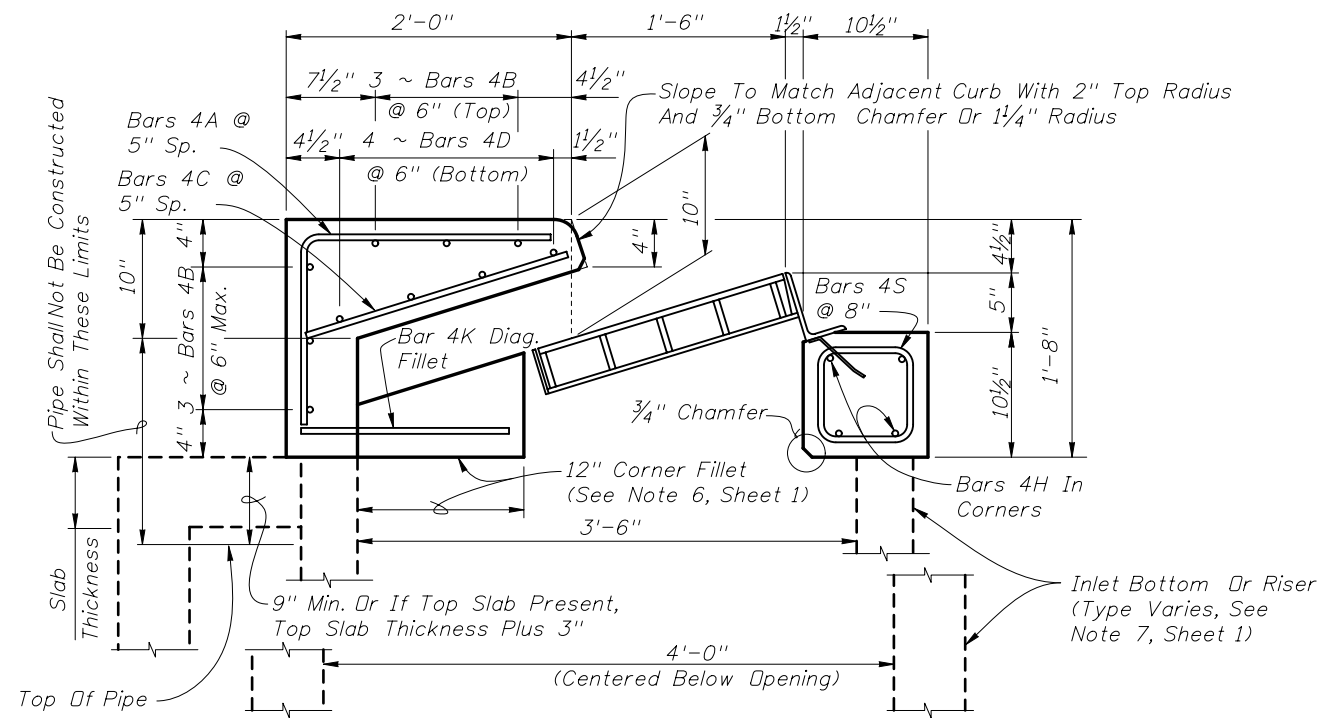


2010 Interim Design Standard
CURB INLET TOPS
TYPES 5 & 6

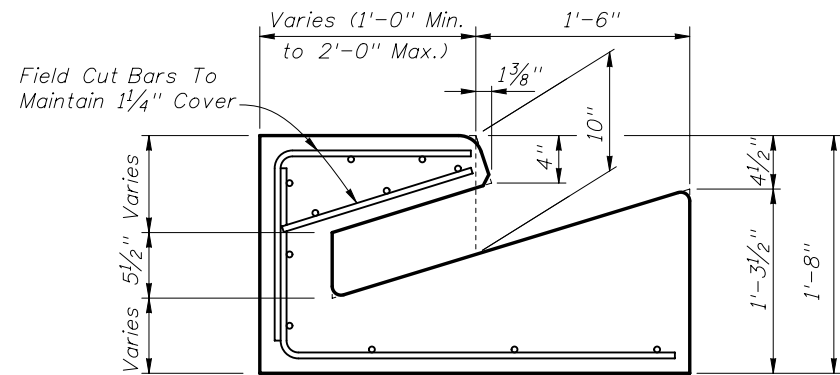
Interim Date
01/01/10
Sheet No.
1 of 5
Index No.
211



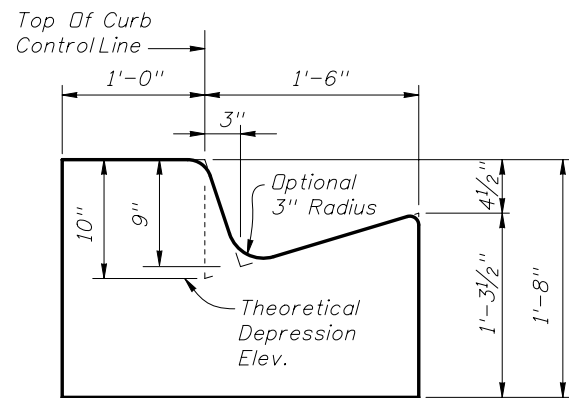
SECTION FF



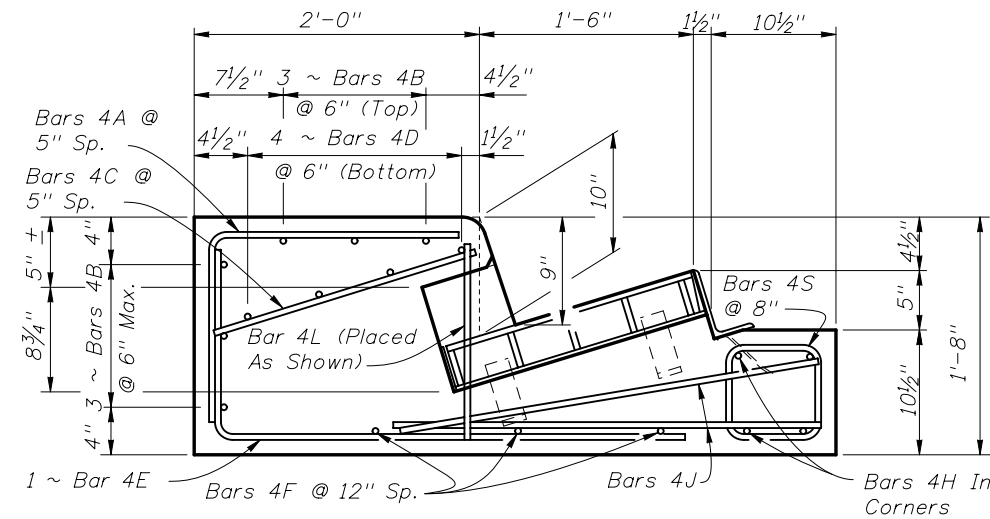
SECTION GG



SECTION EE



SECTION DD
(End View Of Inlet)



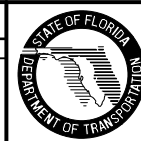
SECTION HH
(Type 5 Inlet Only)

CROSS REFERENCES:
For General Notes See Sheet 1.
For Location Of Sections DD Thru HH See Sheet 1.

PRECAST DETAILS

REVISIONS

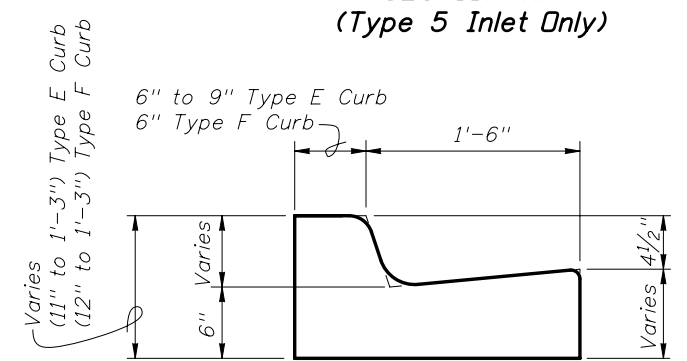
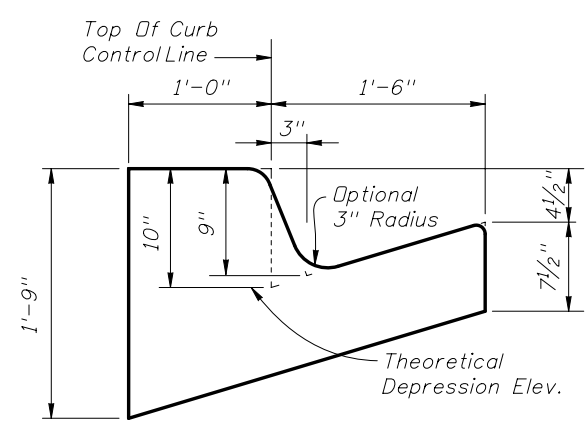
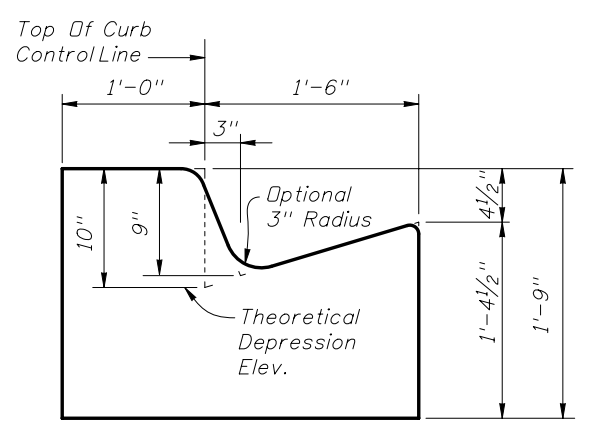
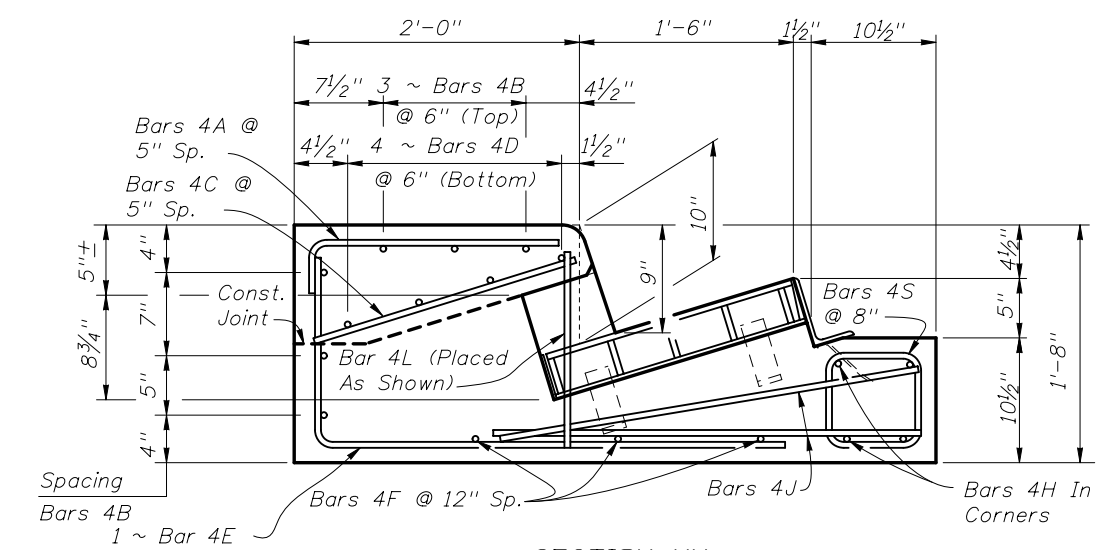
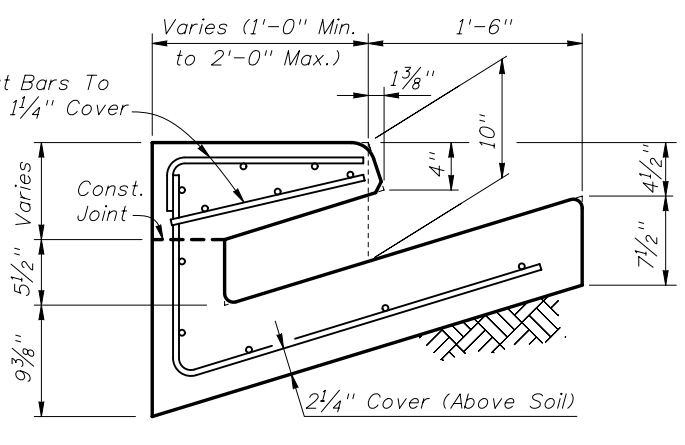
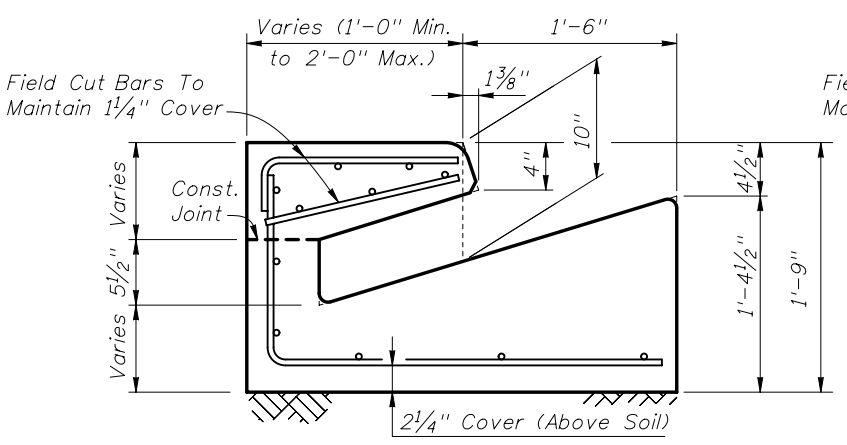
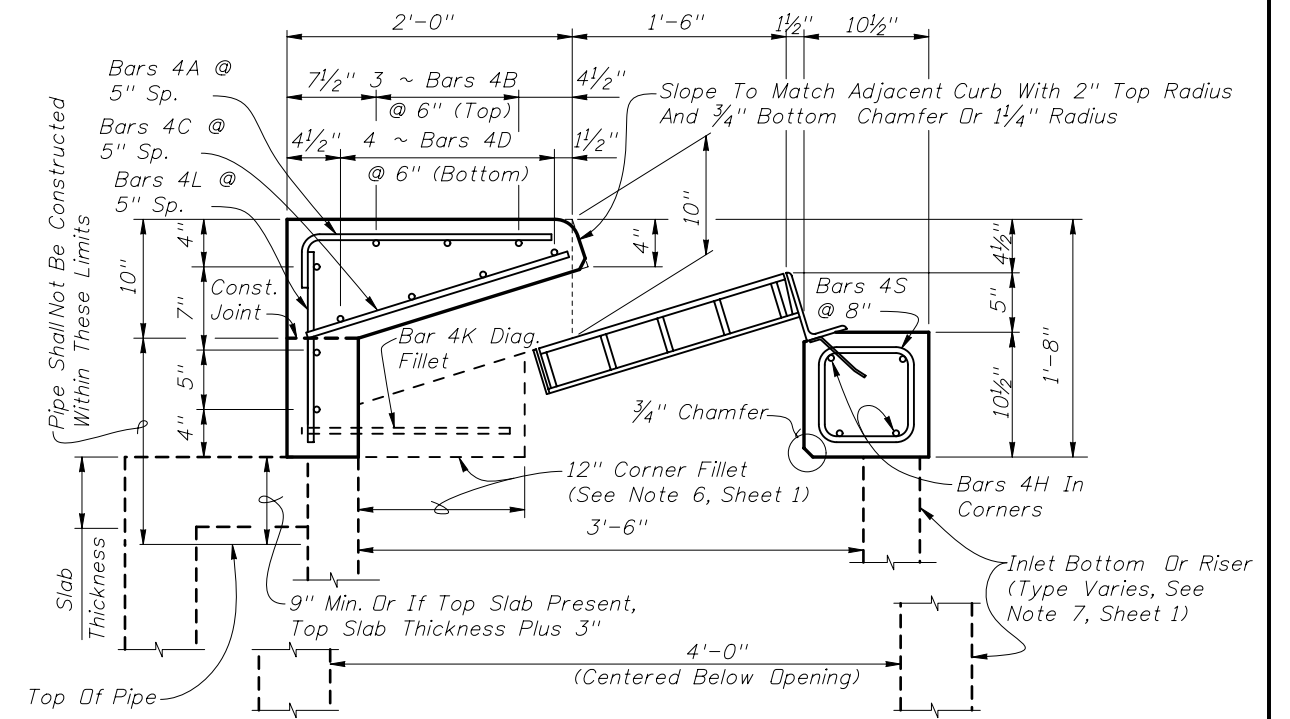
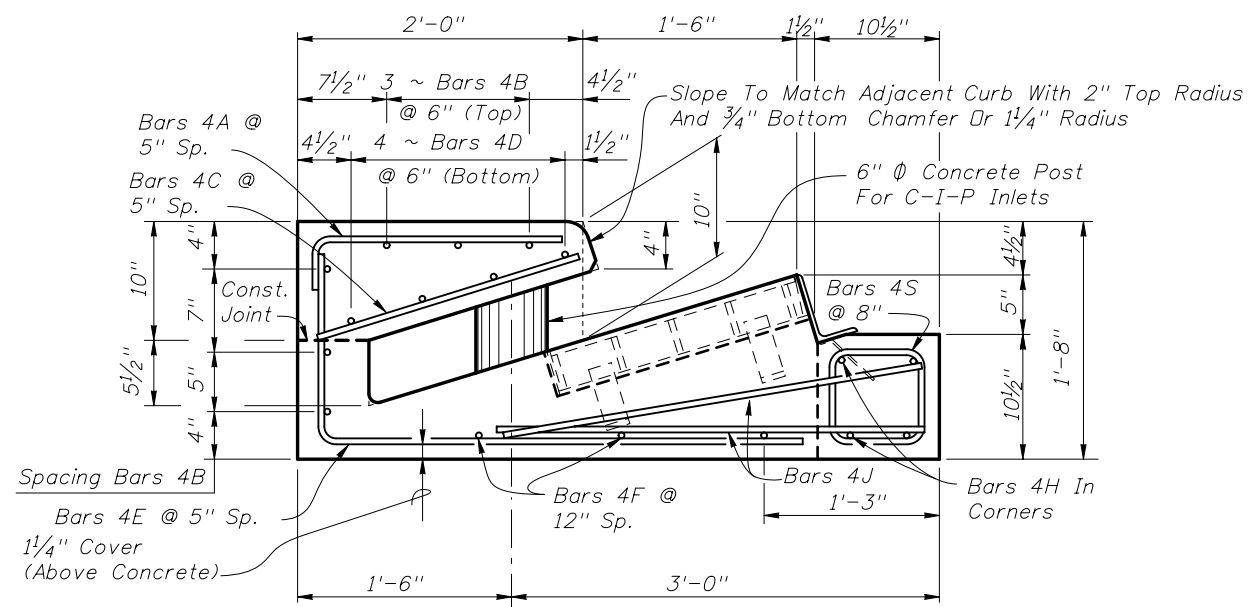
DATE	BY	DESCRIPTION	DATE	BY	DESCRIPTION
01/01/10	SJN	Revised Inlet Bottom/Riser details.			



2010 Interim Design Standard

CURB INLETS TOPS
TYPES 5 & 6

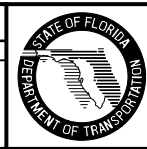
Interim Date	Sheet No.
01/01/10	2 of 5
Index No.	
211	



CROSS REFERENCES:
For General Notes See Sheet 1.
For Location Of Sections CC Thru HH See Sheet 1.

CAST-IN-PLACE DETAILS

REVISIONS					
DATE	BY	DESCRIPTION	DATE	BY	DESCRIPTION
01/01/10	SJN	Revised Inlet Bottom/Riser details.			



2010 Interim Design Standard

CURB INLETS TOPS
TYPES 5 & 6

Interim Date
01/01/10

Sheet No.
3 of 5

Index No.
211