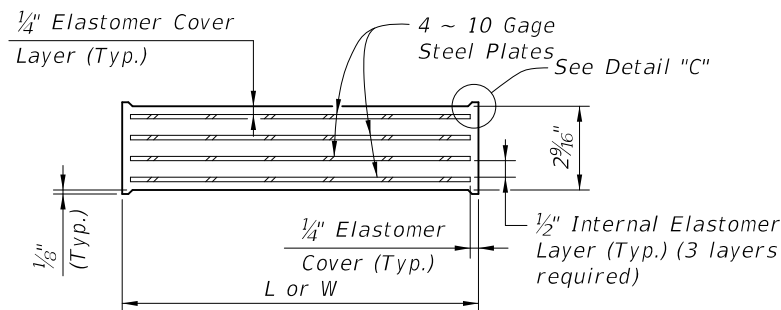
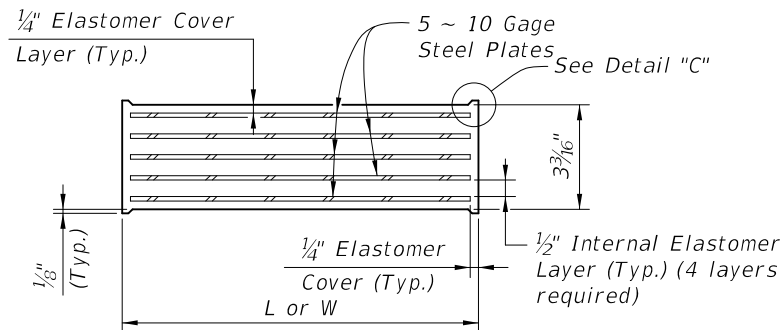


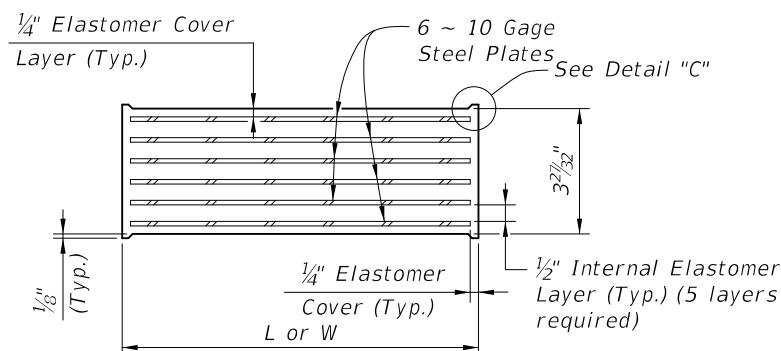
TYPICAL SECTION TYPE D & E PAD



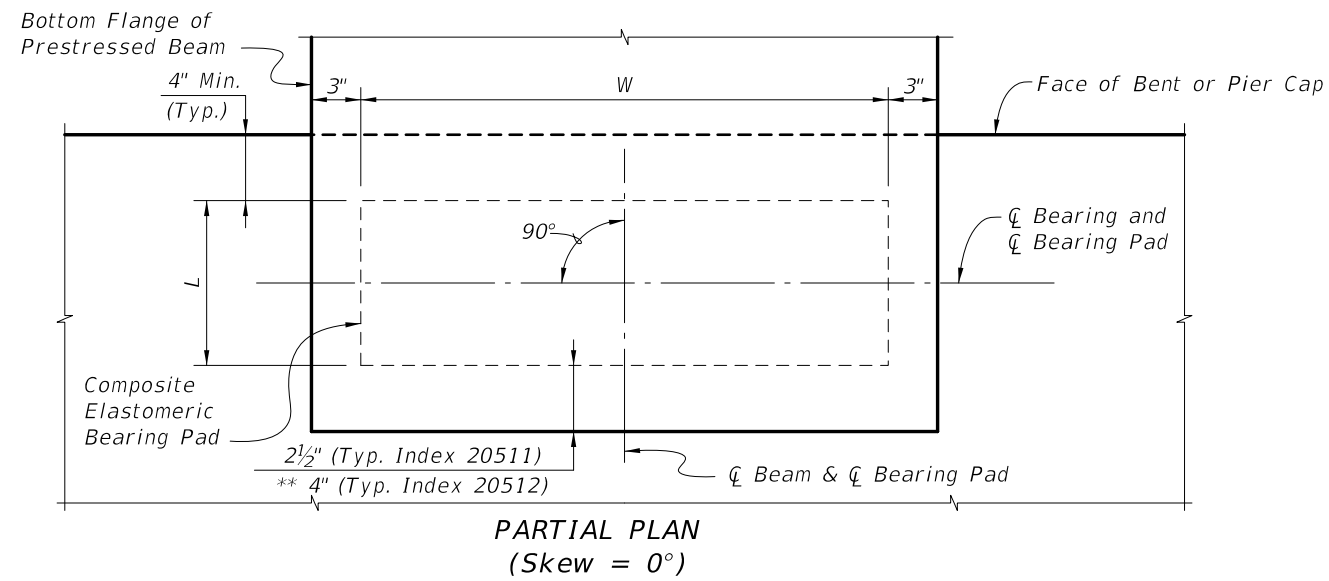
TYPICAL SECTION TYPE F & G PAD



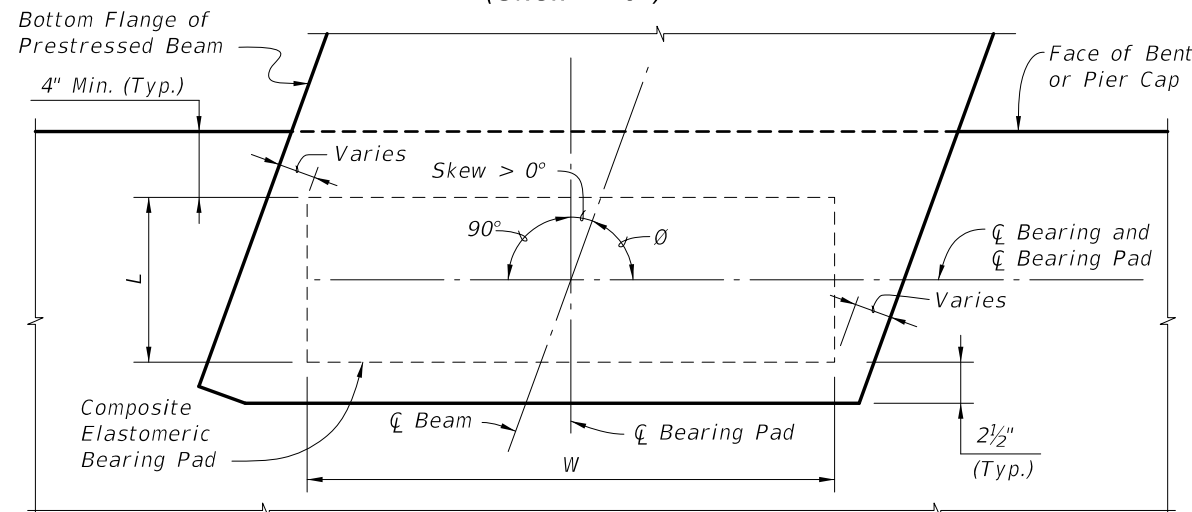
TYPICAL SECTION TYPE H PAD



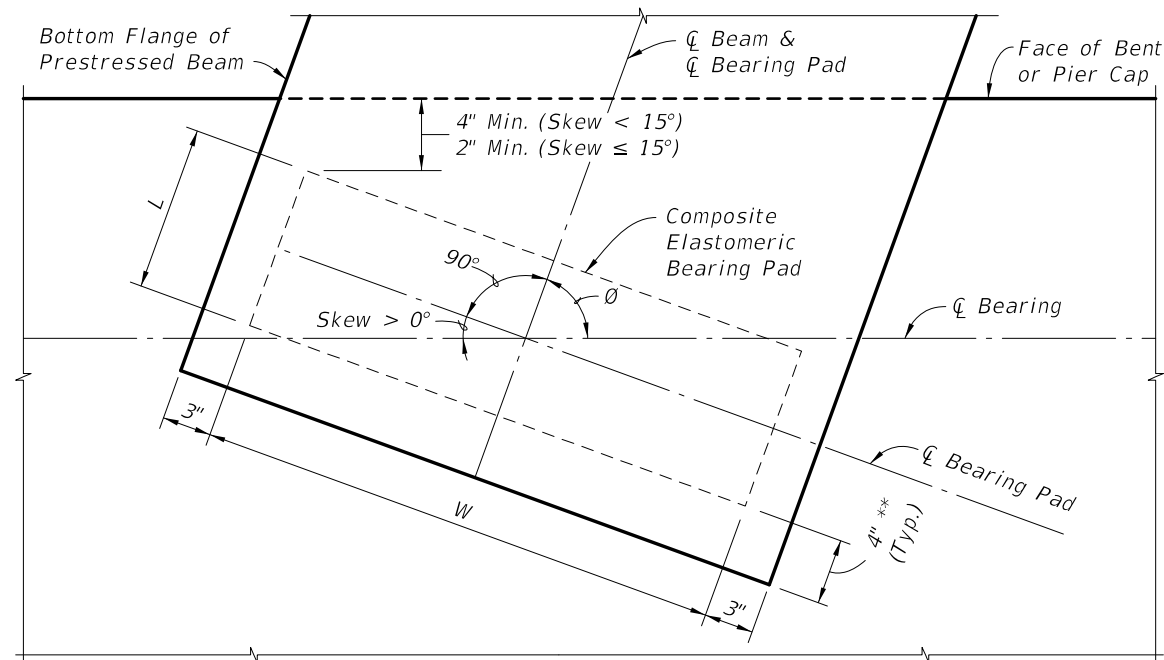
TYPICAL SECTION TYPE J & K PAD



PARTIAL PLAN (Skew = 0°)



PARTIAL PLAN WITH FULL DEPTH END DIAPHRAGM (Use Index 20511) (Skew > 0°)

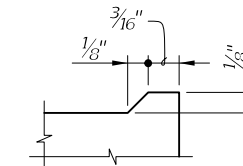


PARTIAL PLAN WITHOUT FULL DEPTH END DIAPHRAGM (Use Index 20512) (Skew > 0°)

PAD TYPE (See Note 1)	BEARING PAD DIMENSIONS		*BEVELED BEARING PLATE DIMENSIONS	
	L	W	C	D
D (G=110psi)	8"	32"	12"	36"
E (G=110psi)	10"	32"	12"	36"
F (G=110psi)	10"	32"	12"	36"
G (G=150psi)	10"	32"	12"	36"
H (G=150psi)	10"	32"	12"	36"
J (G=150psi)	10"	32"	12"	36"
K (G=150psi)	12"	32"	13 1/2"	36"

\* Work this sheet with Index No. 20511 or 20512 - Bearing Plate Details and BEARING PAD DATA TABLE in the Structures Plans. See TABLE OF BEAM VARIABLES and BEARING PLATE DATA TABLE in the Structures Plans for locations where beveled bearing plates are required.

\*\* Offset to End of Beam is reduced to 2" for Type K Pad using Index No. 20512.



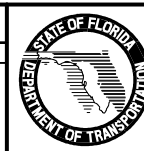
DETAIL "C"

BEARING PAD NOTES:

1. Neoprene in Type D, E & F bearing pads shall have a shear modulus (G) of 110 psi. Neoprene in Type G, H, J & K bearing pads shall have a shear modulus (G) of 150 psi.
2. Steel Plates in bearing pads shall conform to ASTM A1011 Grade 36, Type 1.
3. Unless otherwise shown in the Structures Plans:
  - (a) For beam grades less than 0.5%, finish the Beam Seat level.
  - (b) For beam grades between 0.5% and 2%, finish the Beam Seat parallel to the bottom of the beam in both transverse and longitudinal directions.
  - (c) For beam grades greater than 2% finish the Beam Seat level and provide Beveled Bearing Plates.
4. See Bearing Pad Data Table in Structures Plans for quantities of Type D, E, F, G, H, J and/or K Bearing Pads.

REVISIONS

DATE	BY	DESCRIPTION	DATE	BY	DESCRIPTION
01/01/10	SJN	New Design Standard.	01/01/11	SJN	Added usage reference to PARTIAL PLAN details for Skew > 0°.
07/01/10	CJF	Added offsets & references to Index No. 20512; deleted PARTIAL SIDE ELEVATION detail; changed dimension 'C' for Type K Pad.			



2010 Interim Design Standard

COMPOSITE ELASTOMERIC BEARING PADS - PRESTRESSED FLORIDA-I BEAMS

Interim Date	Sheet No.
01/01/11	1 of 1
Index No.	
20510	