

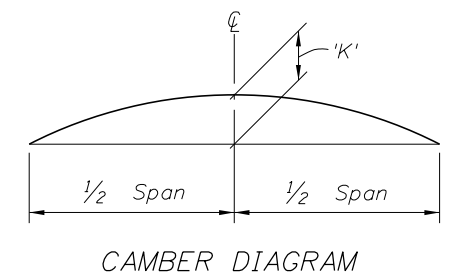
ISOMETRIC VIEW

*NOTE: Contractor shall verify these Dimensions Prior to Fabrication of Uprights.

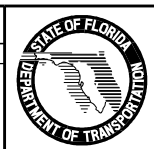
SPAN SIGN STRUCTURE NOTES

- 1) Design according to FDDT Structures Manual. Alternate Designs are not allowed.
- 2) Submit shop drawings for all work. Include:
 - a. Field verification of all upright heights.
 - b. Foundation elevations necessary to insure minimum vertical clearances as per traffic plans.
 - c. Anchor bolt orientation with respect to centerline of truss and the direction of traffic.
 - d. The method to be used to provide the required parabolic camber. (See Camber Diagram)
- 3) Shop Fabrication, Assembly, Handling and Shipping:
 - a. Do not begin fabrication before receiving shop drawing approval.
 - b. Welding: Conform to American Welding Society Structural Welding Code (Steel) ANSI/AWS D1.1 (current edition).
 - c. Shop assemble the entire structure after galvanizing and prior to shipment.
 - d. If necessary, disassemble and secure components for shipment.
- 4) Sign Structure Materials:
 - a. Upright and Chords (Steel Pipe): API -5L-X42 (42 ksi yield) or ASTM A500, Grade B.
 - b. Steel Angles: ASTM A 709, Grade 36.
 - c. Steel Plates: ASTM A 709, Grade 36.
 - d. Weld Metal: E70XX.
 - e. Bolts: ASTM A325 Type 1, (install per Specification Section 700) with single, self-locking nuts.
 - f. Anchor Bolts: ASTM F1554, Grade 55 with ASTM A563 Grade A heavy-hex double nuts.
 - g. Install all nuts per manufacturer's instructions.
 - h. Bolt hole diameters: equal to the bolt diameter plus $\frac{1}{16}$ ".
 - i. Anchor bolt hole diameters: equal to the bolt diameter plus $\frac{1}{2}$ ".
- 5) Galvanization; Nuts, bolts and washers: ASTM F2329. Other steel items: ASTM A123
- 6) Sign Panels: Aluminum. See Elevation drawing for sizes and locations.
- 7) Foundation Materials:
 - a. Reinforcing Steel: ASTM A615, Grade 60.
 - b. Concrete: Class IV (Drilled Shaft), minimum 4.0 ksi compressive strength at 28-days for all environmental classifications.
- 8) Construct the Sign Structure foundation in accordance with FDDT Specification Section 455.
- 9) Prior to erection, record the as-built anchor locations and provide to the Engineer.
- 10) Provide a parabolic camber with the maximum upward deflection as shown on the Camber Diagram.
- 11) Locate Chord splices a minimum of 3 truss panel lengths apart. Chord splices may be either the Standard splice or the Alternate splice but not both on this structure. Upright splices are not allowed.
- 12) Install sign panels as shown on the Elevation drawing.
- 13) Verify CSL access tubes will not interfere with anchor bolt installation before excavating the shaft. When CSL access tube locations conflict with anchor bolt locations, move the CSL access tube location \pm two inches along the inner circumference of the reinforcing cage. Notify the Engineer before excavating the shaft if the CSL access tube locations cannot be moved out of conflict with anchor bolt locations

NOTE: See Plans for Span Sign Structure Data Table.

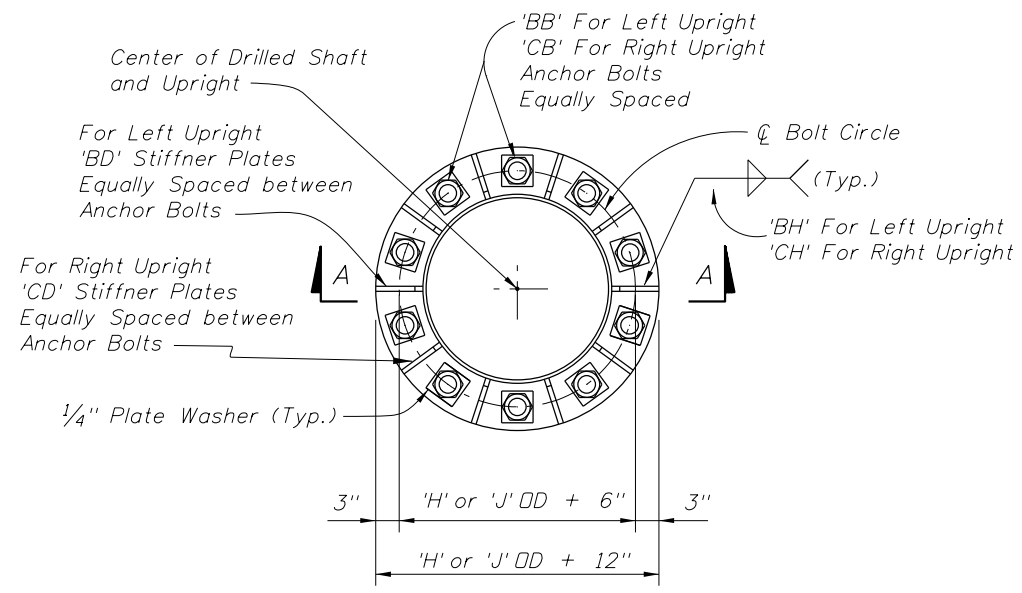


REVISIONS			
DATE	BY	DESCRIPTION	
07/01/10	CBH	Removed payment note.	

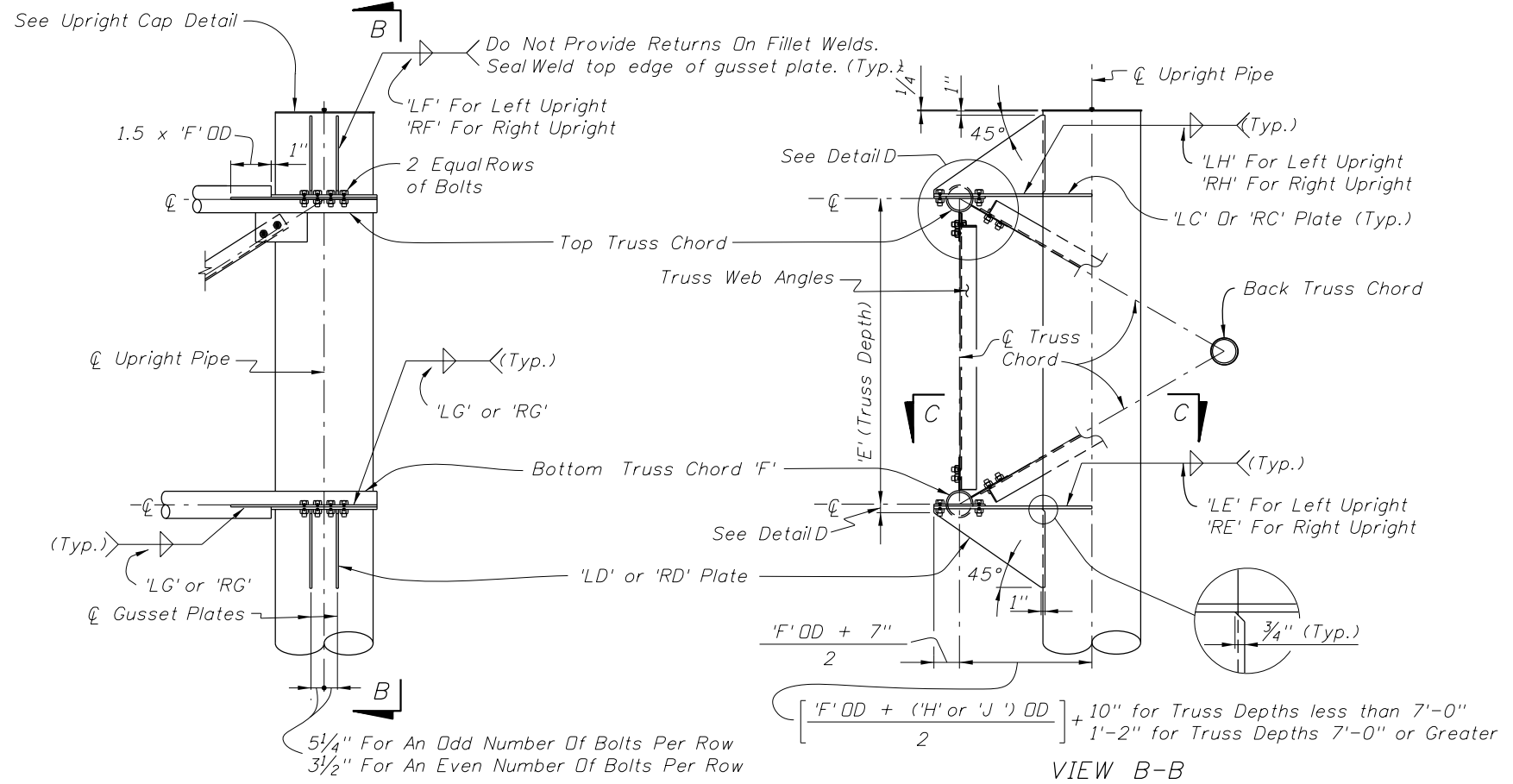


2010 Interim Design Standard
SPAN SIGN STRUCTURE

Interim Date 07/01/10	Sheet No. 1 of 5
Index No. 11320	



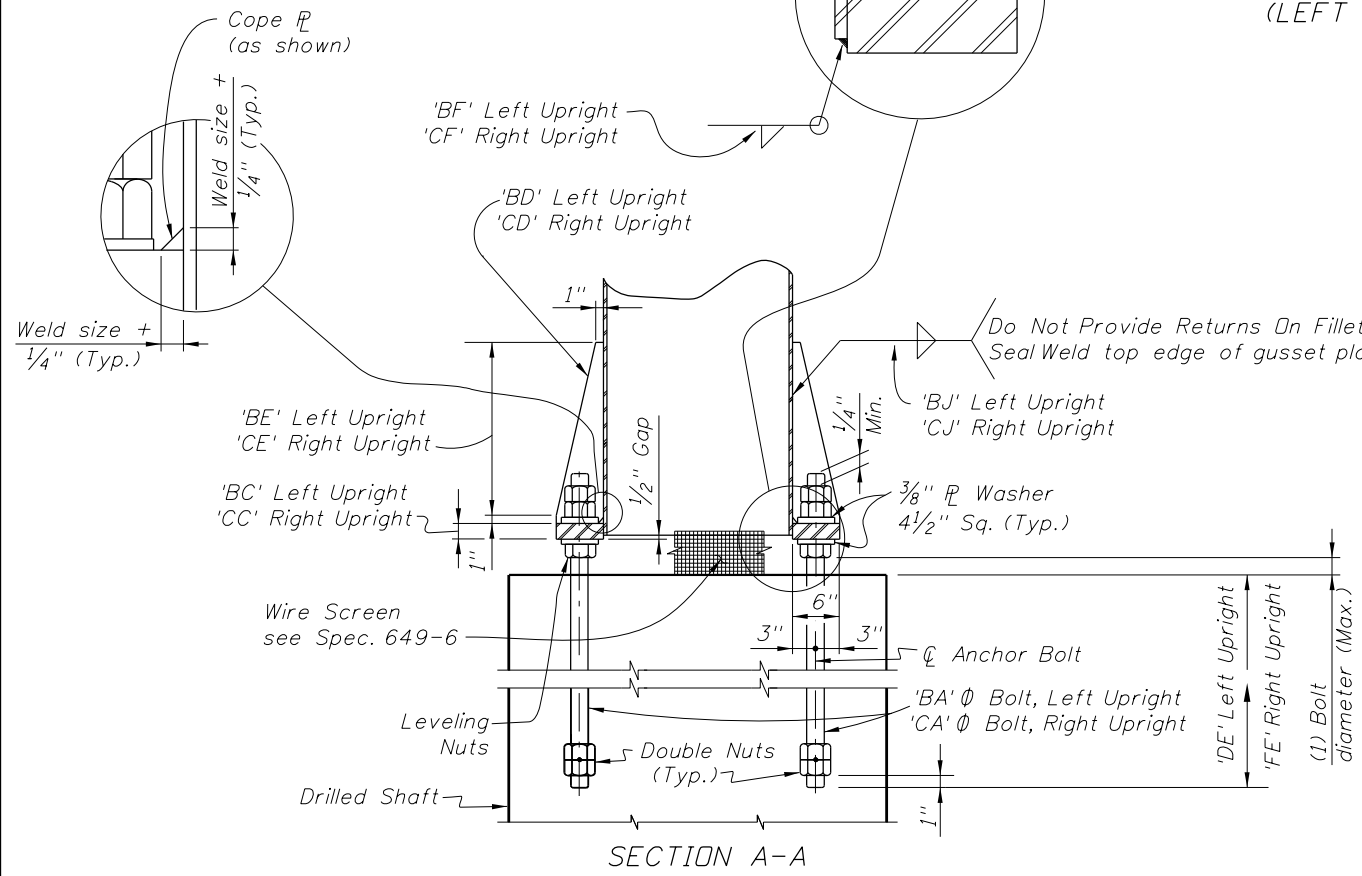
PLAN VIEW
BASE PLATE



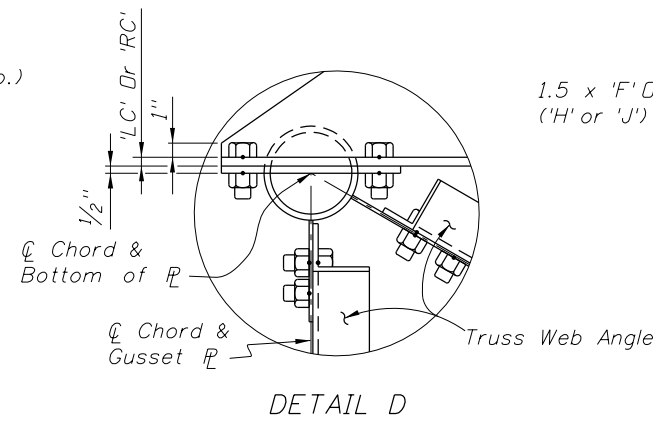
RIGHT UPRIGHT-TRUSS CONNECTION DETAIL
(LEFT UPRIGHT - TRUSS CONNECTION SIMILAR)

Web Members From Back Truss
Chord Omitted For Clarity

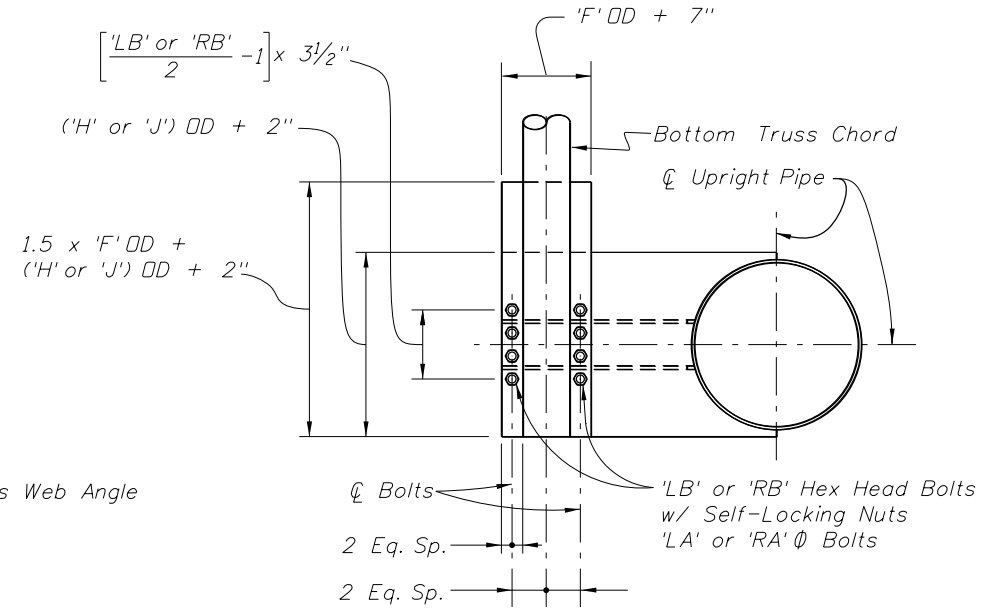
VIEW B-B



SECTION A-A



DETAIL D



SECTION C-C
(With Gusset Plate and Angles omitted for clarity)

NOTE:
Abbreviation
OD ~ Outside Diameter

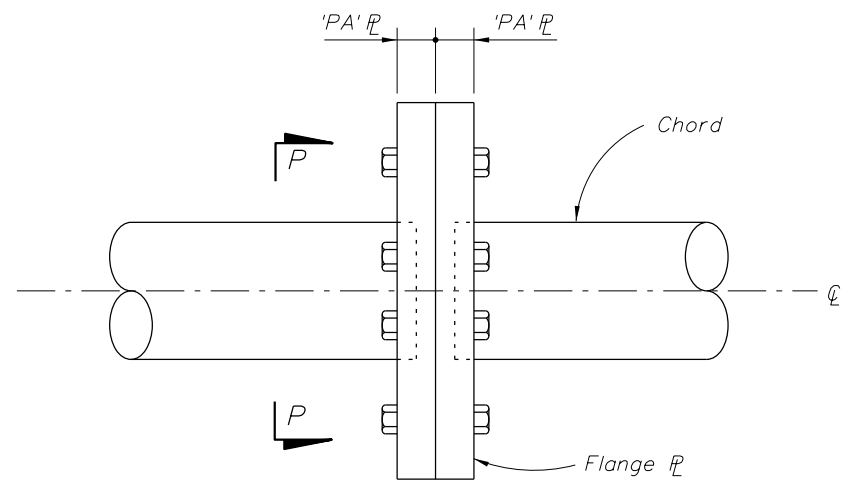
REVISIONS			
DATE	BY	DESCRIPTION	
07/01/10	DYW	Modified anchor bolt extension details, gusset R clip details, seal weld details & R washer thickness.	



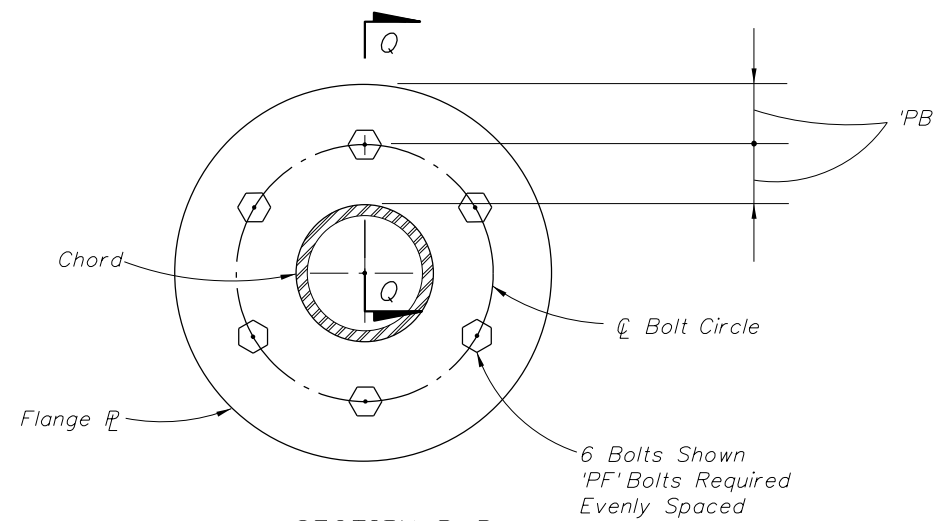
2010 Interim Design Standard

SPAN SIGN STRUCTURE

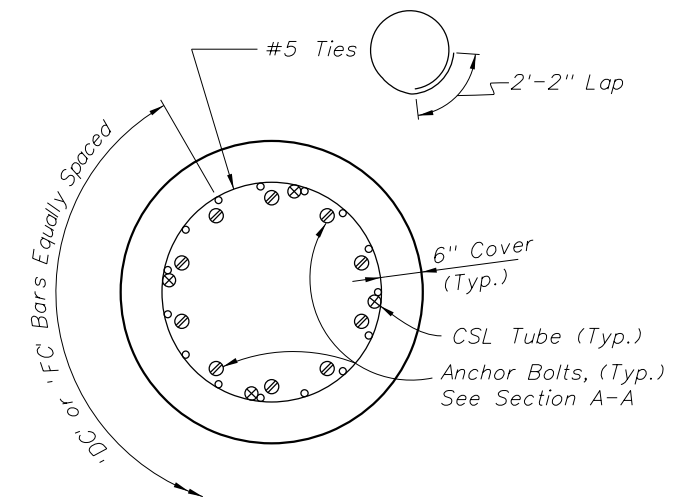
Interim Date	Sheet No.
07/01/10	2 of 5
Index No.	
11320	



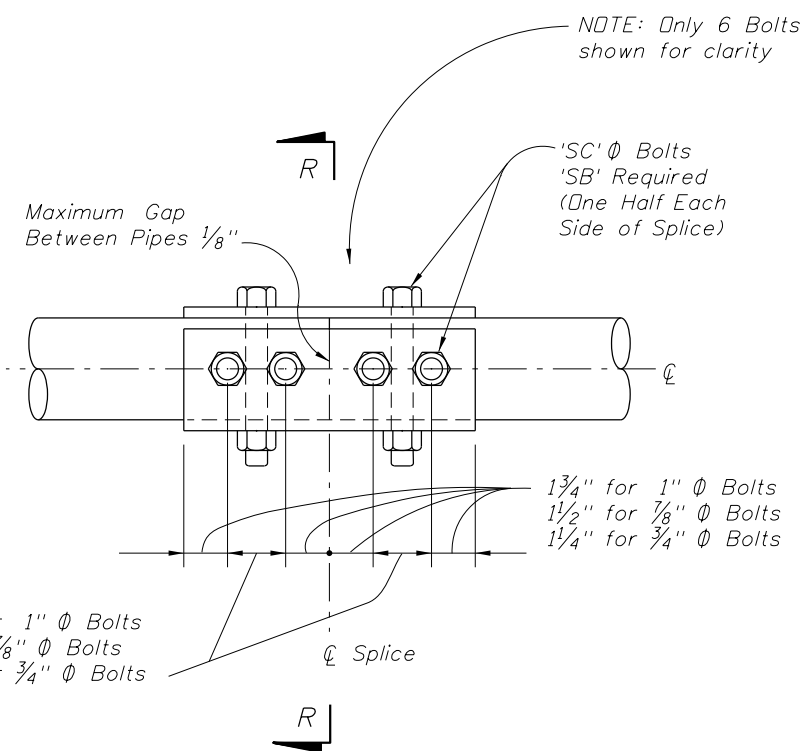
ELEVATION
ALTERNATE SPLICE CONNECTION



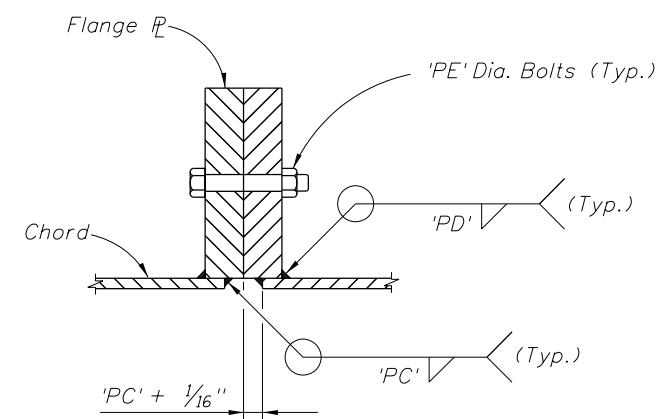
SECTION P-P



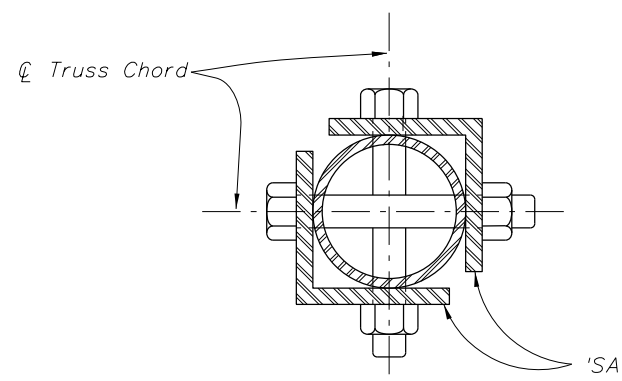
PLAN VIEW
DRILLED SHAFT



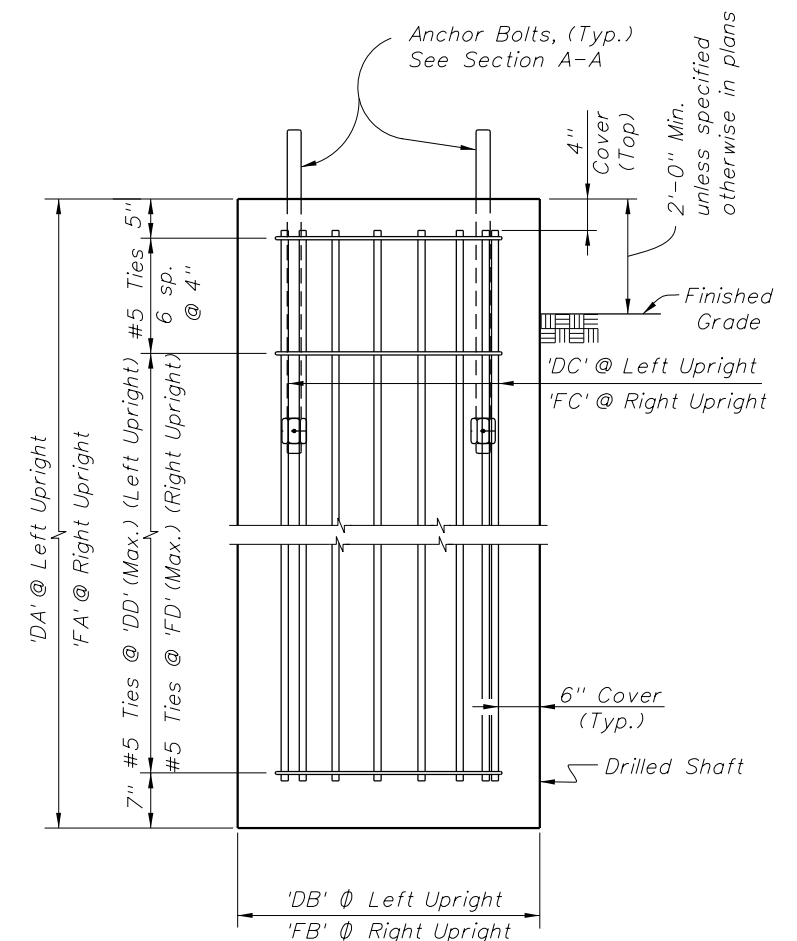
ELEVATION
SPLICE CONNECTION



SECTION Q-Q



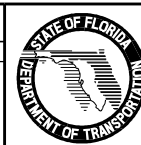
SECTION R-R



ELEVATION
DRILLED SHAFT

REVISIONS

DATE	BY	DESCRIPTION	DATE	BY	DESCRIPTION
07/01/10	DYW	Modified anchor bolt extension details & foundation offset details.			



2010 Interim Design Standard

SPAN SIGN STRUCTURE

Interim Date	Sheet No.
07/01/10	5 of 5
Index No.	
11320	