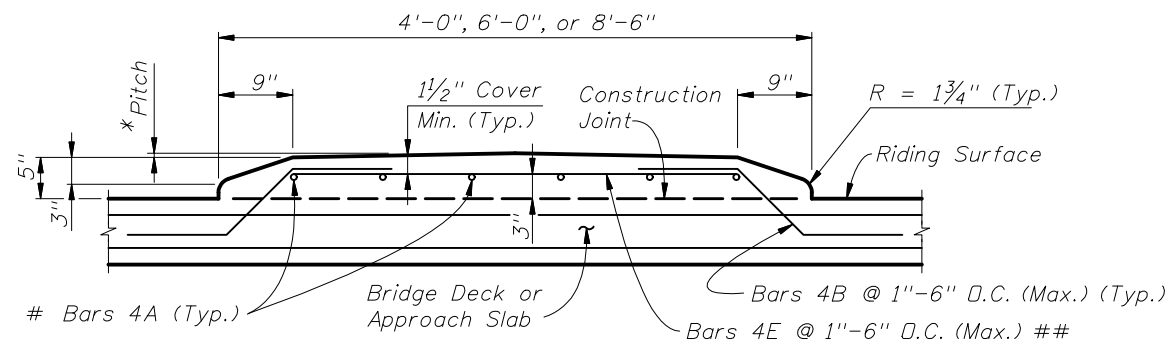
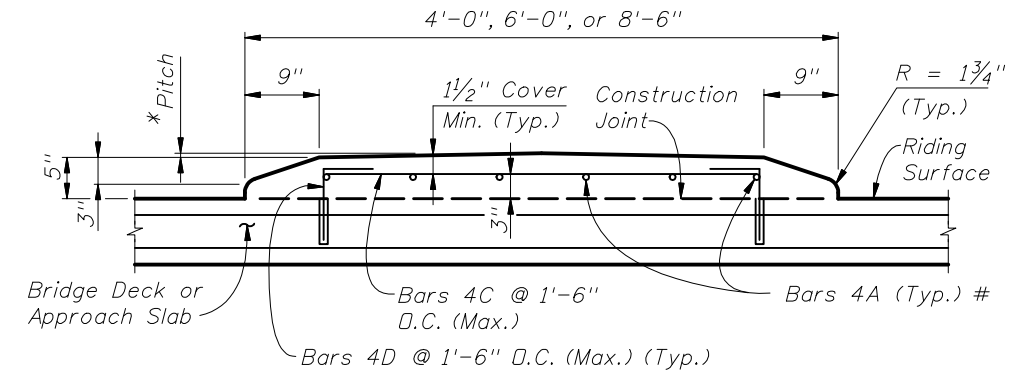


- NOTES**
- Separators Type I and IV are to be used with flexible pavement. Separators Types II and V are to be used with rigid pavement.
  - Either Option I or Option II may be used for Types I and IV separators except when a specific option is called for in the plans.
  - For all separators provide 1/8"- 1/4" contraction joints at 10' centers (max.). Contraction joints adjacent to concrete pavement on tangents and flat curves are to match the pavement joints, with intermediate joints not to exceed 10' centers.
  - Separators having widths of 4', 6' or 8'-6" shall be paid for under the contract unit price for Concrete Traffic Separator (Type...) (' Wide) LF. Separators having widths other than 4', 6' or 8'-6" shall be detailed in the plans as special separators and paid for under the contract unit price for Concrete Traffic Separator (Special) SY.

**ROADWAY INSTALLATIONS**



TYPICAL SECTION THRU TRAFFIC SEPARATOR  
(Bridge Deck Shown, Approach Slab Similar)

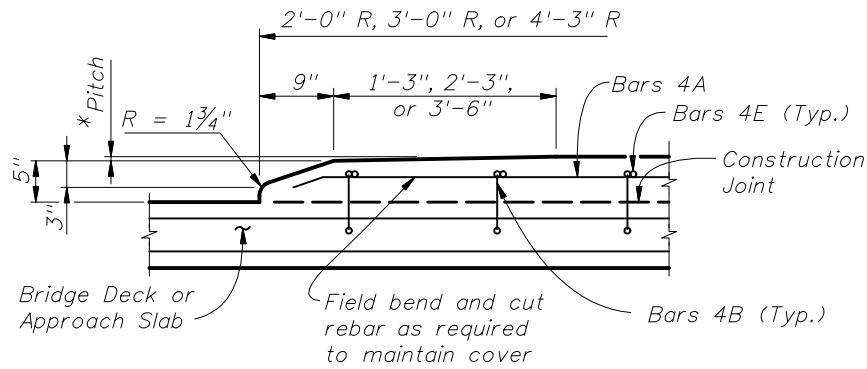


TYPICAL SECTION THRU TRAFFIC SEPARATOR  
(Bridge Deck Shown, Approach Slab Similar)

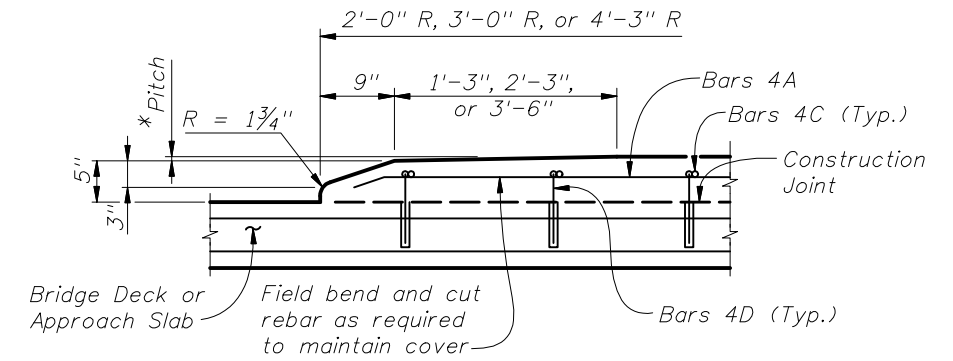
# For 4'-0" width : Bars 4A @ 3 equal spaces (continuous).  
 For 6'-0" width : Bars 4A @ 5 equal spaces (continuous).  
 For 8'-6" width : Bars 4A @ 7 equal spaces (continuous).

## At the Contractor's option  
 a one piece bar may be  
 substituted for Bars 4B  
 and 4E.

\* Pitch:  
 1/4" For 4'-0" Separator  
 1/2" For 6'-0" Separator  
 3/4" For 8'-6" Separator

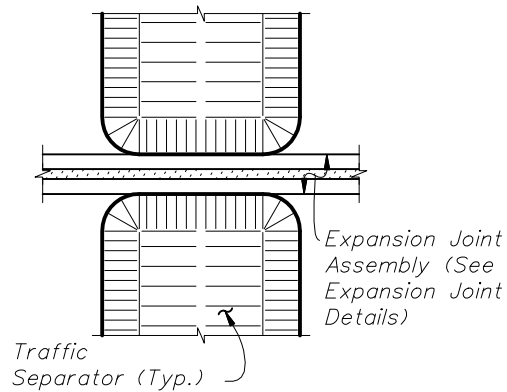


LONGITUDINAL SECTION THRU TRAFFIC  
SEPARATOR AT NOSE  
(Bridge Deck Shown, Approach Slab Similar)

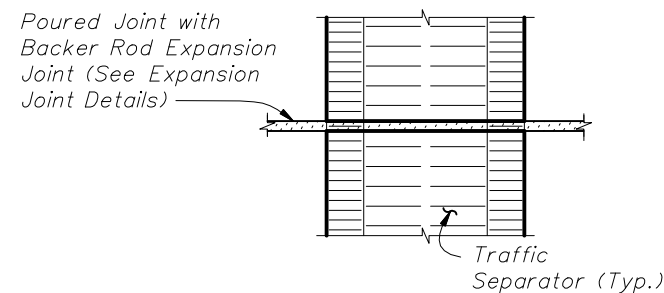


LONGITUDINAL SECTION THRU TRAFFIC  
SEPARATOR AT NOSE  
(Bridge Deck Shown, Approach Slab Similar)

REINFORCING STEEL OPTION A



DETAIL AT EXPANSION JOINTS  
(Strip Seal Shown,  
Other Armored Joint Types Similar)



DETAIL AT Poured JOINT WITH  
BACKER ROD EXPANSION JOINTS

REINFORCING STEEL OPTION B (NOT PERMITTED  
ON BRIDGE DECKS WITH PRESTRESSING STEEL)

Note:  
 See Structures Plans, Superstructure Sheets for actual  
 dimensions and joint orientation. Treatment of separators  
 on straight bridges shown. For treatment of separators  
 on skewed bridges see Index No. 490.

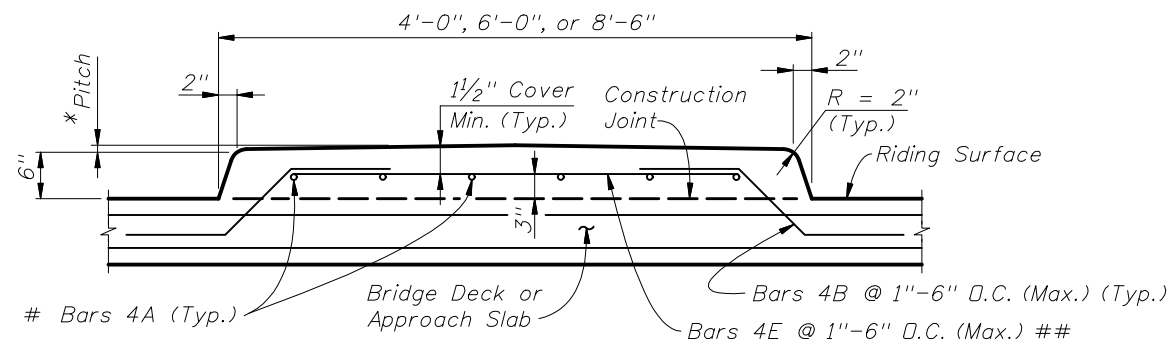
BRIDGE INSTALLATIONS - TYPE "E" CURB



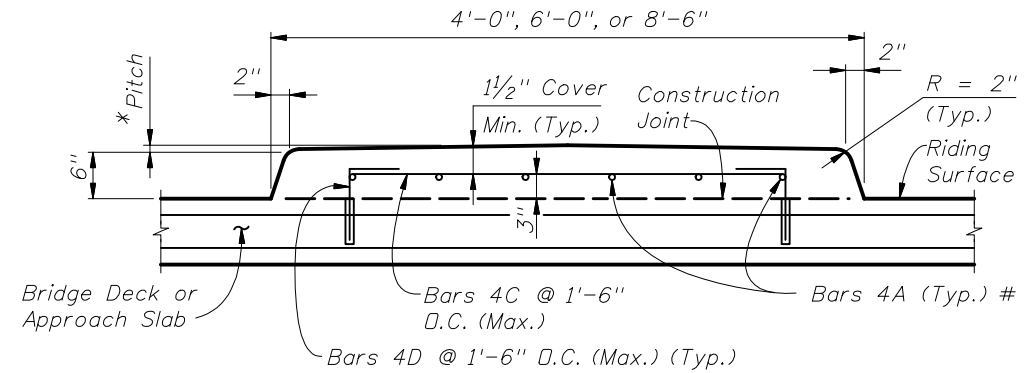
2010 FDOT Design Standards

TRAFFIC SEPARATORS

Last Revision 07/01/07	Sheet No. 2 of 4
Index No. <b>302</b>	



TYPICAL SECTION THRU TRAFFIC SEPARATOR  
(Bridge Deck Shown, Approach Slab Similar)

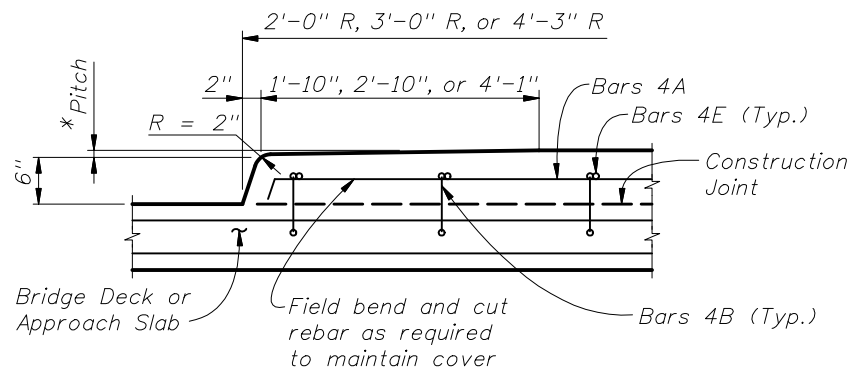


TYPICAL SECTION THRU TRAFFIC SEPARATOR  
(Bridge Deck Shown, Approach Slab Similar)

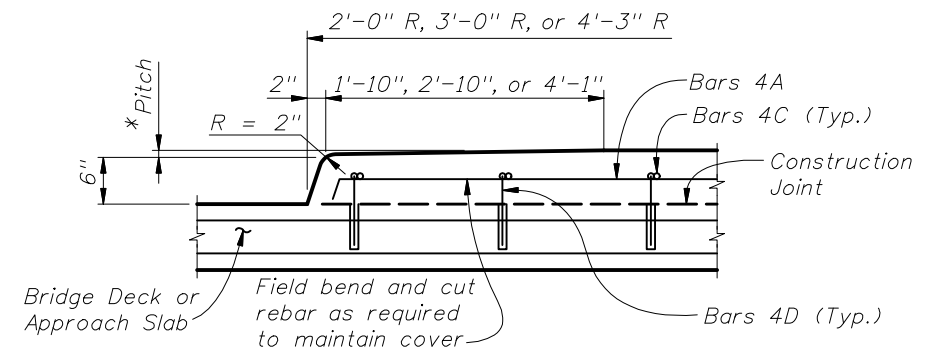
# For 4'-0" width : Bars 4A @ 3 equal spaces (continuous).  
 For 6'-0" width : Bars 4A @ 5 equal spaces (continuous).  
 For 8'-6" width : Bars 4A @ 7 equal spaces (continuous).

## At the Contractor's option  
 a one piece bar may be  
 substituted for Bars 4B  
 and 4E.

\* Pitch:  
 1/4" For 4'-0" Separator  
 1/2" For 6'-0" Separator  
 3/4" For 8'-6" Separator



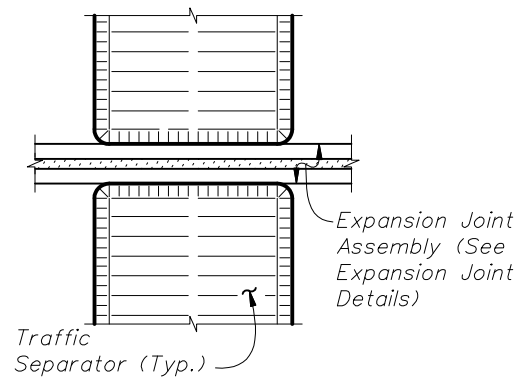
LONGITUDINAL SECTION THRU TRAFFIC SEPARATOR AT NOSE  
(Bridge Deck Shown, Approach Slab Similar)



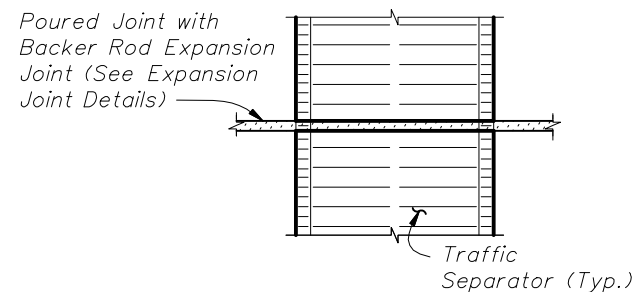
LONGITUDINAL SECTION THRU TRAFFIC SEPARATOR AT NOSE  
(Bridge Deck Shown, Approach Slab Similar)

REINFORCING STEEL OPTION A

REINFORCING STEEL OPTION B (NOT PERMITTED ON BRIDGE DECKS WITH PRESTRESSING STEEL)



DETAIL AT EXPANSION JOINTS  
(Strip Seal Shown,  
Other Armored Joint Types Similar)



DETAIL AT Poured JOINT WITH  
BACKER ROD EXPANSION JOINTS

Note:  
 See Structures Plans, Superstructure Sheets  
 for actual dimensions and joint orientation.  
 Treatment of separators on straight bridges  
 shown. For treatment of separators on skewed  
 bridges see Index No. 490.

BRIDGE INSTALLATIONS - TYPE "F" CURB

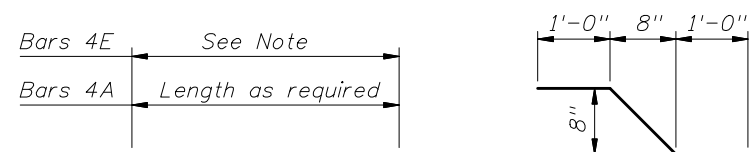


2010 FDOT Design Standards

TRAFFIC SEPARATORS

Last Revision	Sheet No.
07/01/07	3 of 4
Index No.	
302	

CONVENTIONAL REINFORCING  
STEEL BENDING DIAGRAMS

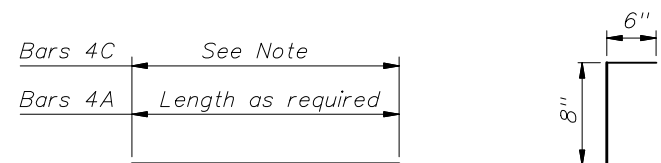


Bars 4A & 4E

Bar 4B

Note:  
Length of Bars 4E is 2'-5" for 4'-0" Separator.  
Length of Bars 4E is 4'-5" for 6'-0" Separator.  
Length of Bars 4E is 6'-11" for 8'-6" Separator.

REINFORCING STEEL OPTION A



Bars 4A & 4C

Bar 4D

Note:  
Length of Bars 4C is 2'-4 1/2" for 4'-0" Separator.  
Length of Bars 4C is 4'-4 1/2" for 6'-0" Separator.  
Length of Bars 4C is 6'-10 1/2" for 8'-6" Separator.

REINFORCING STEEL OPTION B

REINFORCING STEEL NOTES:

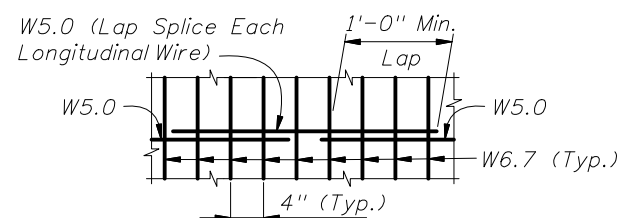
- All dimensions are out to out.
- The 8" vertical dimension shown for Bars 4B and 4D are based on a slab 8 1/2" thick or greater without a wearing surface. If slab thickness is less than 8 1/2", decrease this dimension by an amount equal to the difference in thickness. If a wearing surface is to be provided, increase this dimension by an amount equal to the wearing surface thickness.

ALTERNATE REINFORCING STEEL  
DETAILS (WELDED WIRE REINFORCEMENT)

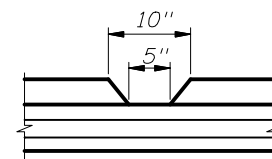
OPTION A : Use Welded Wire Reinforcement 3 x 4 - W5.0 x W6.7 as required by plans in place of Bars 4A, 4B and 4E. Bend the Welded Wire Reinforcement to the dimensions of Bar 4B shown in the Bending Diagram for Reinforcing Steel Option A.

OPTION B : Use Welded Wire Reinforcement 3 x 4 - W5.0 x W6.7 as required by plans in place of Bars 4A and 4C shown in Reinforcing Steel Option B.

Note: Welded Wire Reinforcement shall conform to ASTM A185.



SPLICE DETAIL  
(Between WWR 3 x 4 - W5.0 x W6.7 Sections)



DRAINAGE JOINT DETAIL  
FOR 5" OPENING OR LESS

See Structures Plans, Superstructure Sheets for location(s) of drainage joints. Locations for drainage joints shall be limited to the constant width section of separator.

NOTES:

- CONCRETE: See General Notes in Structures Plans.  
REINFORCING STEEL: Reinforcing Steel shall be ASTM A615 Grade 60.  
PAYMENT: Separators having widths of 4'-0", 6'-0", and 8'-6" shall be paid under the contract unit price for Traffic Separator Concrete (Type II or V) (---' Wide), LF. Separators having widths other than 4'-0", 6'-0", or 8'-6" shall be detailed in the plans as special separators and paid under the contract unit price for Traffic Separator Concrete (Special), S.Y.  
TRAFFIC SEPARATOR CONSTRUCTION: The Contractor may construct the separator by the use of stationary removable forms or by the use of slip forms without altering the separator dimensions shown.  
1/2" V-GROOVES: For all separators provide 1/2" V-Grooves at 30'-0" centers (max.) equally spaced between expansion joints, and/or drainage joints.

ESTIMATED TRAFFIC SEPARATOR QUANTITIES

CONCRETE:

CONSTANT WIDTH OF SEPARATOR:

	TYPE "E"	TYPE "F"
4'-0" Width	= 0.056 CY per Ft.	= 0.072 CY per Ft.
6'-0" Width	= 0.089 CY per Ft.	= 0.112 CY per Ft.
8'-6" Width	= 0.132 CY per Ft.	= 0.164 CY per Ft.

NOSE:

	TYPE "E"	TYPE "F"
4'-0" Width	= 0.080 CY	= 0.109 CY
6'-0" Width	= 0.193 CY	= 0.257 CY
8'-6" Width	= 0.403 CY	= 0.536 CY

REINFORCING STEEL:

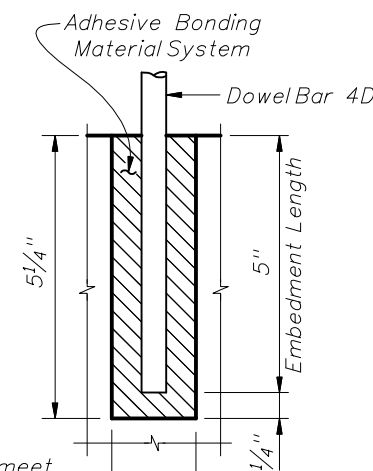
(All quantities are based on an 8 1/2" slab.)

OPTION A:

4'-0" Width	= 6.37 Lbs. per Ft.
6'-0" Width	= 8.60 Lbs. per Ft.
8'-6" Width	= 11.05 Lbs. per Ft.

OPTION B:

4'-0" Width	= 4.77 Lbs. per Ft.
6'-0" Width	= 7.00 Lbs. per Ft.
8'-6" Width	= 9.45 Lbs. per Ft.



Hole diameter to meet adhesive bonding material system manufacturer's requirements

DOWEL DETAIL

Dowel Notes:

- Shift Dowel Holes to clear if existing reinforcement is encountered.
- Provide and install an adhesive bonding material system in accordance with Sections 416 and 937 of the Specifications.

BRIDGE INSTALLATIONS - TYPE "E" AND "F" CURBS



2010 FDOT Design Standards

TRAFFIC SEPARATORS

Last Revision	Sheet No.
07/01/07	4 of 4
Index No.	
302	