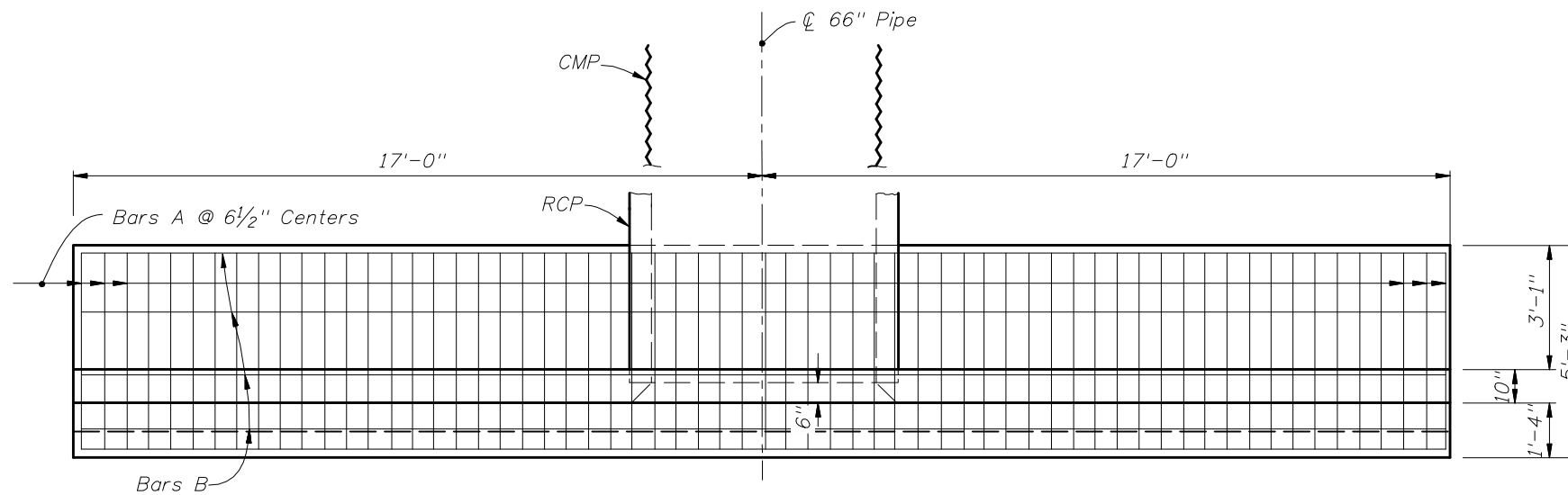


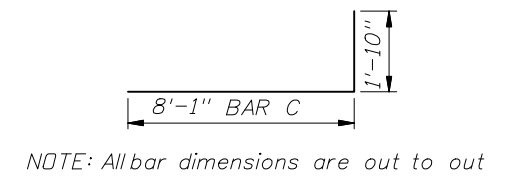
SECTION BB



PLAN  
(Showing Bars In Footing)

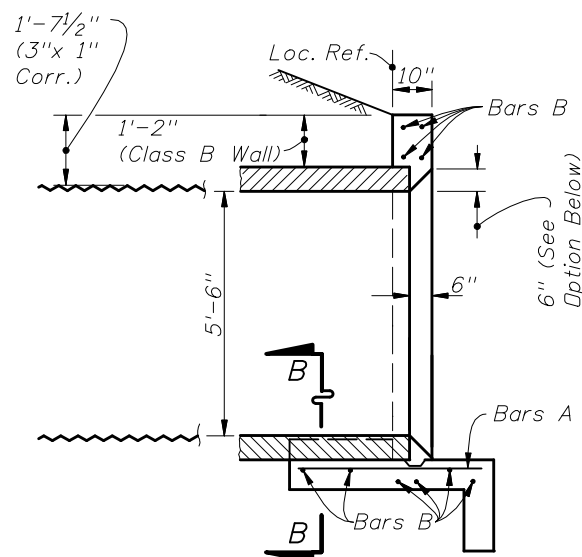
BILL OF REINFORCING STEEL					
MARK	SIZE	NO. REQD.	LENGTH	LOCATION	BENDING
A	5	63	4'-11"	Footing	Straight
B	4	17	33'-8"	Footing & Wall	Straight
C	5	34	9'-11"	Wall	Bend
D	4	20	8'-1"	Wall	Straight
E	4	4	1'-8"	Wall	Straight

BENDING DIAGRAM

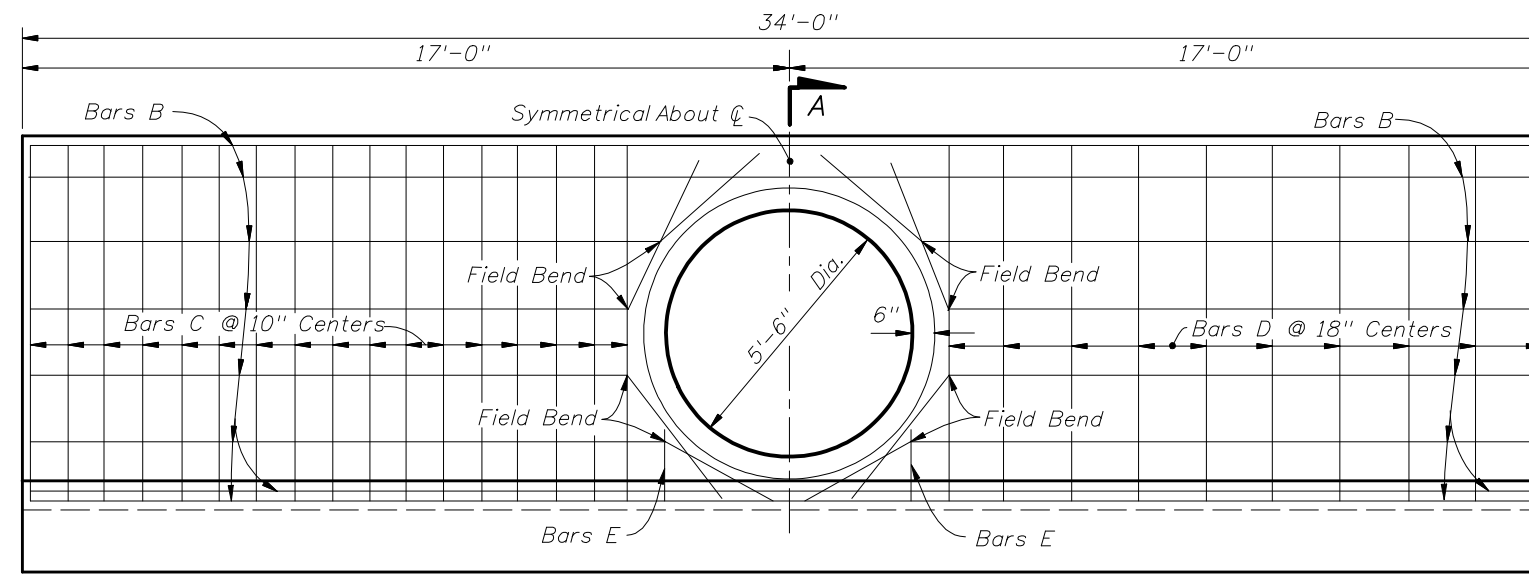


ESTIMATED QUANTITIES

ITEM	UNIT	RCP	CMP
Class II Concrete	Cu. Yd.	13.2	13.3
Reinforcing Steel	Lb.	1170	1170



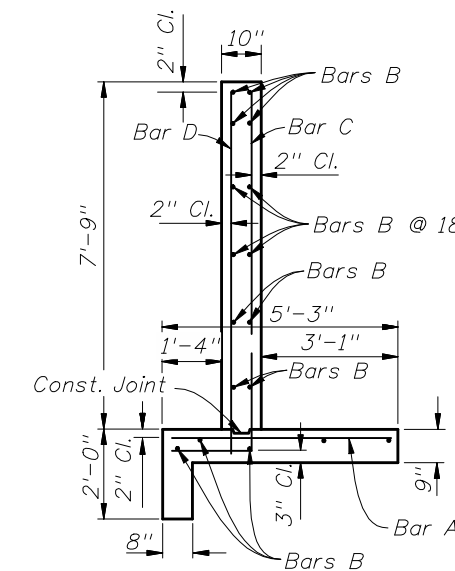
SECTION AA



HALF ELEVATION  
(Showing Bars In Back Face Of Wall)

NOTE:  
Cut and Field Bend Bars B As Shown

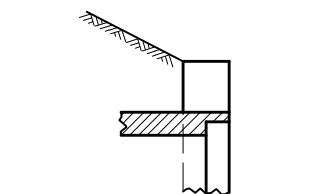
HALF ELEVATION  
(Showing Bars In Front Face Of Wall)



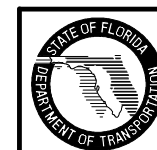
TYPICAL SECTION  
THRU ENDWALL

GENERAL NOTES

1. Straight concrete endwalls are intended for use outside the clear zone.
2. Endwalls may be cast-in-place or precast construction. Cast-in-place endwalls shall conform to the details on this index, design specifications AASHTO 1989. Precast construction which adheres to this Index, including any additional reinforcement required for handling which shall be determined by the Contractor or supplier, does not require additional approvals. Deviations from this Index, for precast units, shall require the approval of the State Drainage Engineer prior to construction. For precast construction, see Index No. 201 for opening and grouting details.
3. Reinforcing steel shall be either Grade 40 or 60.
4. Concrete shall be Class II except ASTM C478 (4000 psi) concrete may be substituted for precast items manufactured in plants meeting the requirements of Section 449 of the Specifications.
5. Chamfer: All exposed edges and corners to be chamfered 3/4" unless otherwise shown.
6. That portion of corrugated Metalpipe in direct contact with the concrete slab and extending 12" beyond shall have a continuous bituminous coating of 0.004" minimum thickness applied prior to placing of the concrete.
7. Sodding shall be in accordance with Index No. 281 and paid for under the contract unit price for Performance Turf, SY.
8. Basis of payment for either cast-in-place or precast construction shall be the estimated quantities tabulated on the Index. Concrete and reinforcing steel shall be paid for under the contract unit prices for Class II Concrete (Endwalls), CY and Reinforcing Steel (Roadway), LB.



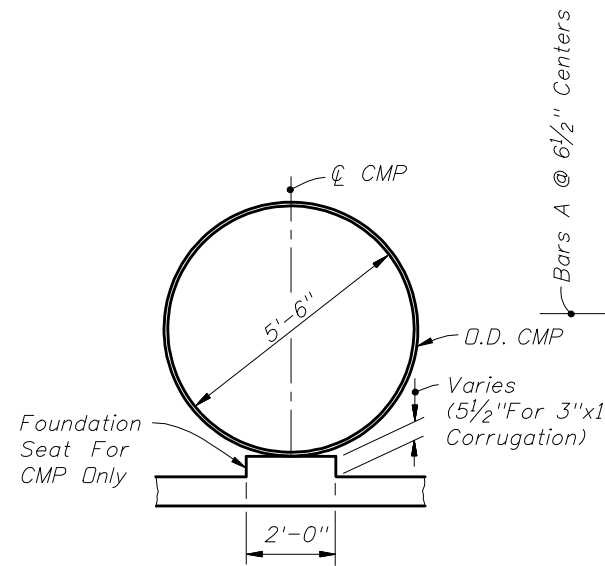
OPTIONAL ENTRANCE  
FOR CONCRETE PIPE



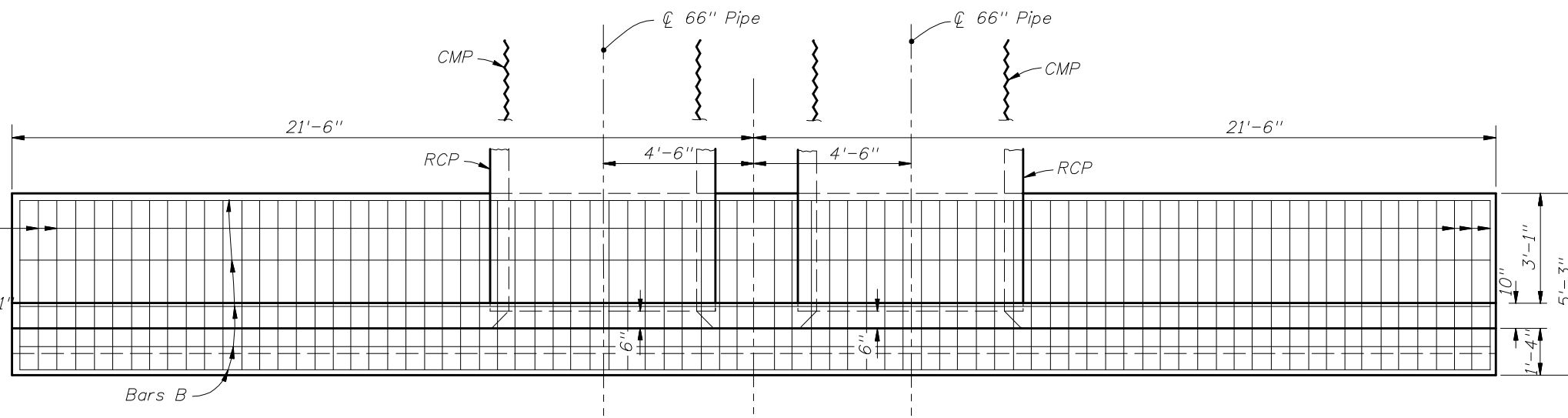
2010 FDOT Design Standards

STRAIGHT CONCRETE ENDWALLS  
SINGLE AND DOUBLE 66" PIPE

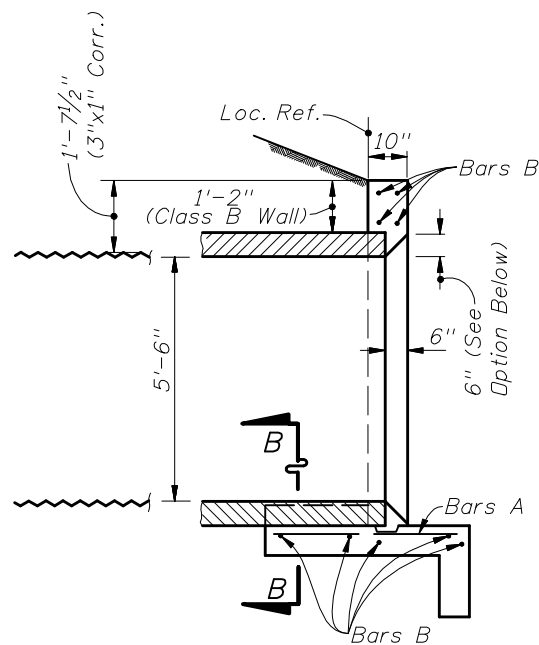
Last Revision 07/01/09  
Sheet No. 1 of 2  
Index No. 252



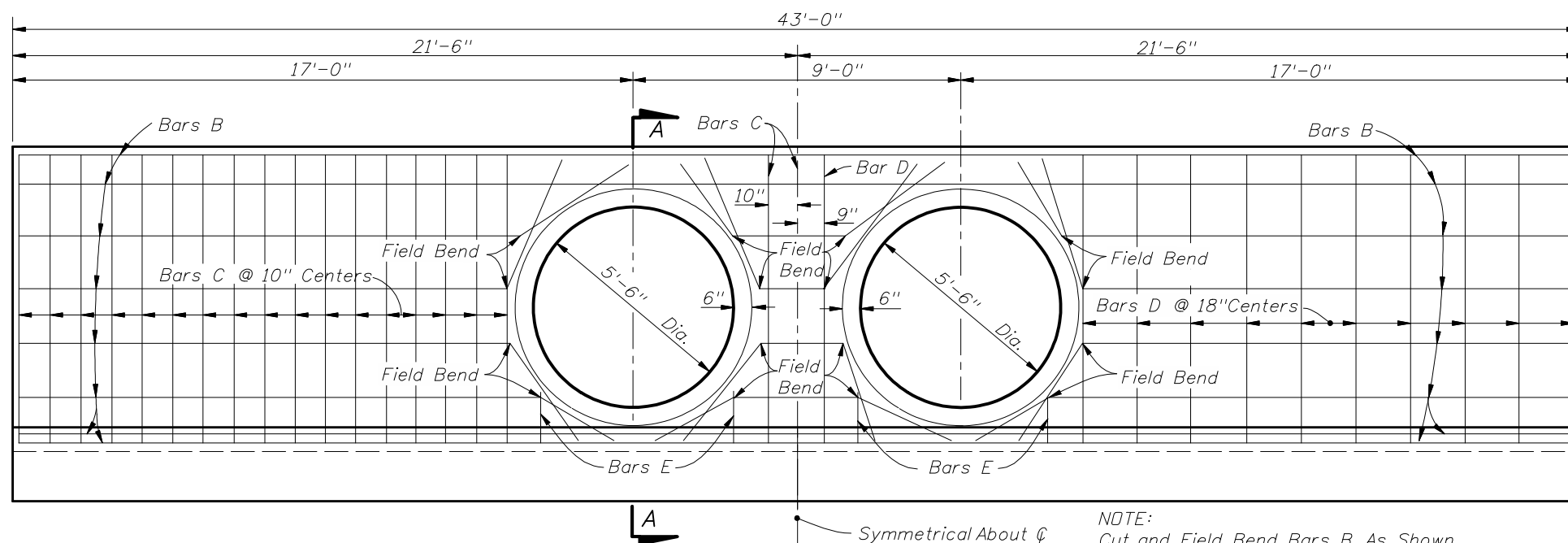
SECTION BB



PLAN  
(Showing Bars In Footing)

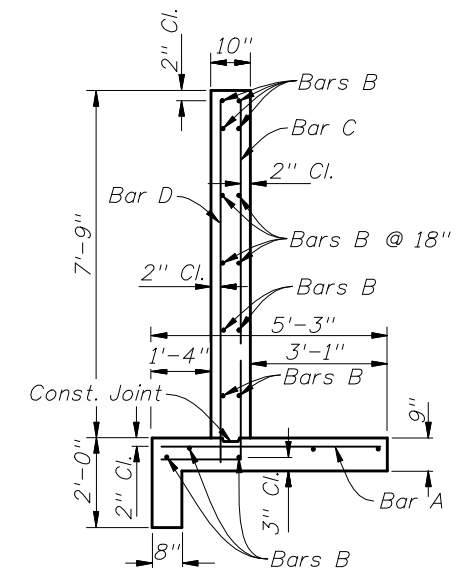


SECTION AA

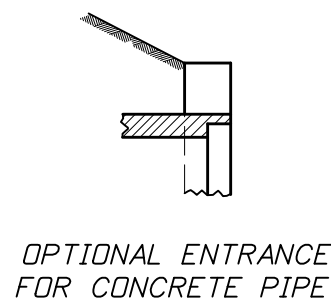


HALF ELEVATION  
(Showing Bars In Back Face Of Wall)

NOTE:  
Cut and Field Bend Bars B As Shown  
HALF ELEVATION  
(Showing Bars In Front Face Of Wall)



TYPICAL SECTION  
THRU ENDWALL



OPTIONAL ENTRANCE  
FOR CONCRETE PIPE

BILL OF REINFORCING STEEL						BENDING DIAGRAMS		ESTIMATED QUANTITIES			
MARK	SIZE	NO. REQD.	LENGTH	LOCATION	BENDING			ITEM	UNIT	RCP	CMP
A	5	80	4'-11"	Footing	Straight			Class II Concrete	Cu. Yd.	16.0	16.2
B	4	17	42'-8"	Footing & Wall	Straight			Reinforcing Steel	Lb.	1,406	1,406
C	5	37	9'-11"	Wall	Bend						
D	4	22	8'-1"	Wall	Straight						
E	4	8	1'-8"	Wall	Straight						

Note:  
All bar dimensions are out to out

NOTE: See Sheet 1 of 2 for General Notes.



2010 FDOT Design Standards

**STRAIGHT CONCRETE ENDWALLS  
SINGLE AND DOUBLE 66" PIPE**

Last Revision 00 Sheet No. 2 of 2

Index No. 252