

FIGURE A
POLE MOUNTED
DETECTOR STATION

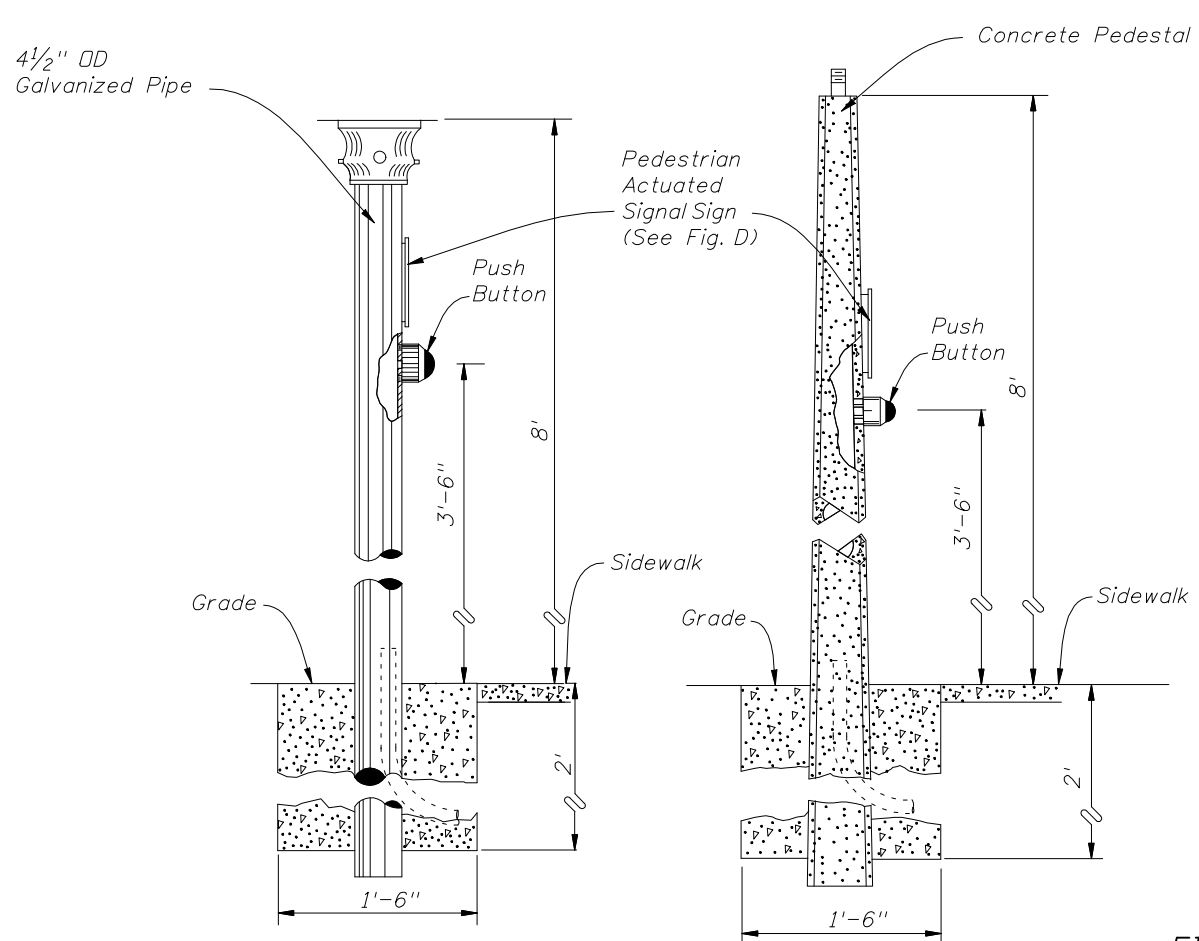


FIGURE B
PEDESTAL STATION
DETECTOR STATION

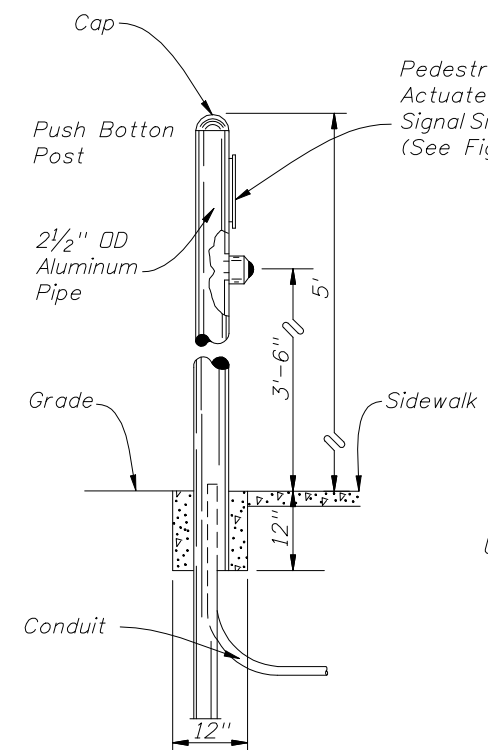
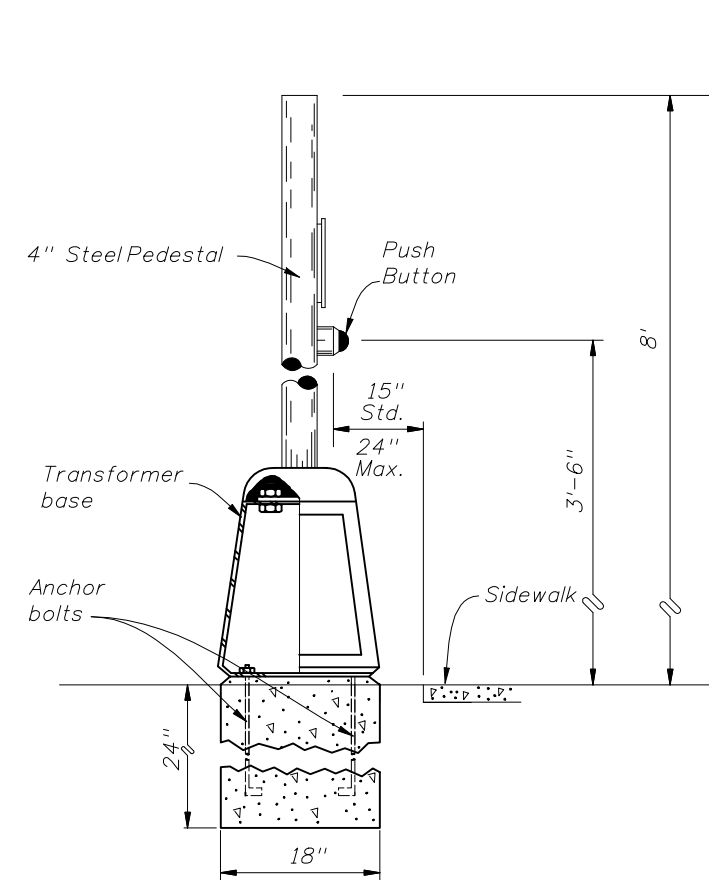


FIGURE C
POST DETECTOR STATION
DETECTOR STATION

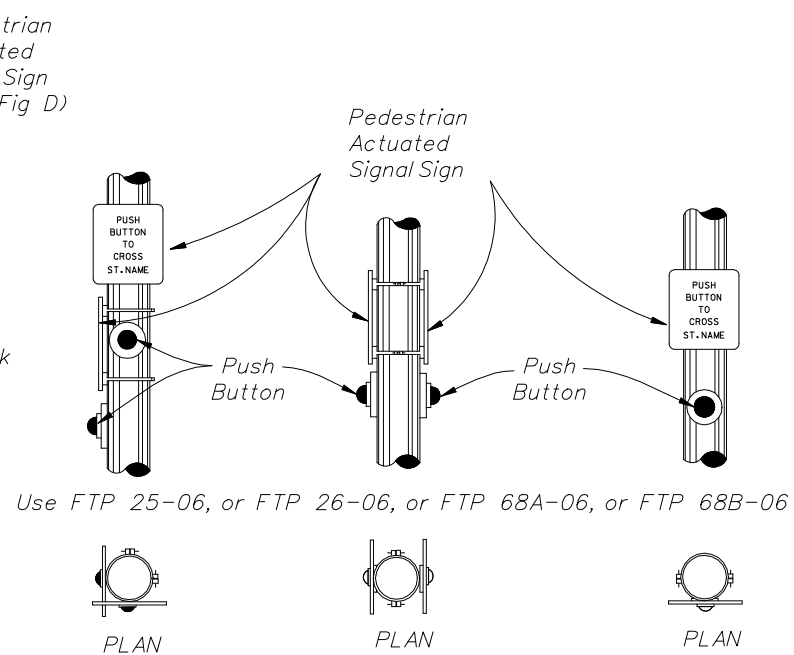


FIGURE D

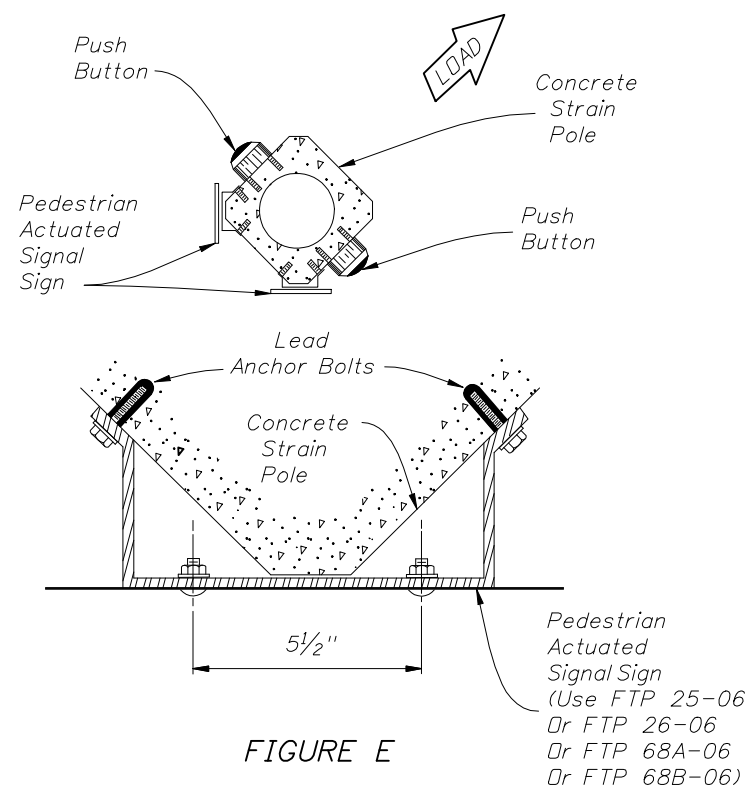


FIGURE E

Notes:

1. Signs shall be mounted above detectors, explaining their purpose and use.
2. The positioning of pedestrian push button should clearly indicate which crosswalk signal is actuated by each push button.
3. Push buttons and signs are to be mounted in accordance with Standard Specifications, section 665.
4. Meet all grounding requirements of Section 620 of the Standard Specifications.
5. A 30"X48" landing is required centered on each push button.

Note To Designers:

The designer should ensure the distance to the Push Button in Figure A & B is maintained. This distance can vary depending on post or pedestal type or whether a frangible base is used and sidewalk configuration. This is specified to meet Americans with Disabilities Act.



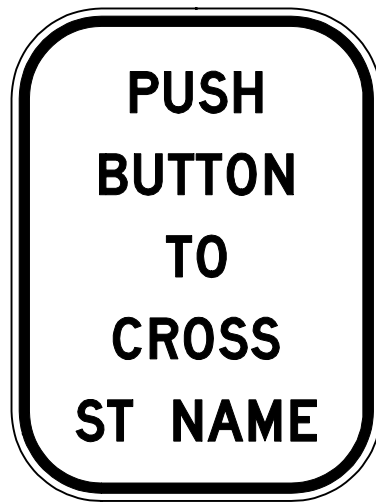
2010 FDOT Design Standards

PEDESTRIAN DETECTOR
ASSEMBLY INSTALLATION DETAILS

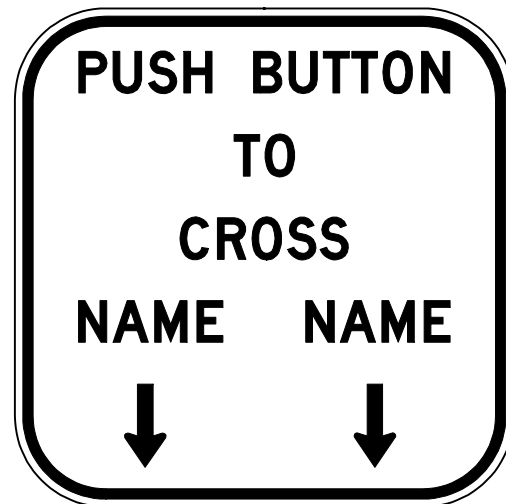
Last
Revision
07/01/09

Sheet No.
1 of 2

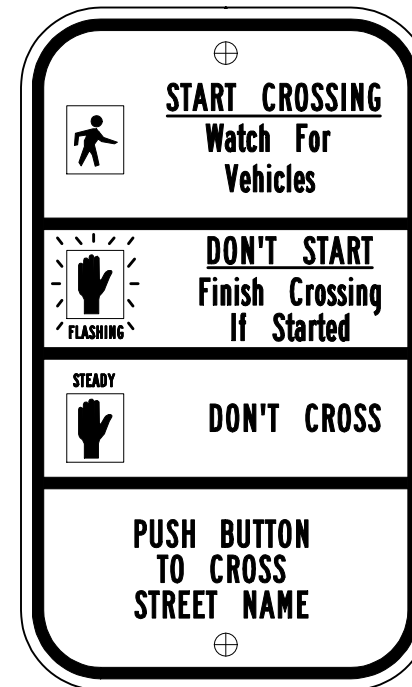
Index No.
17784



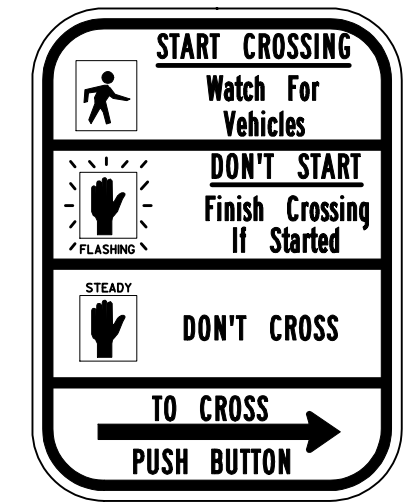
FTP-25-06



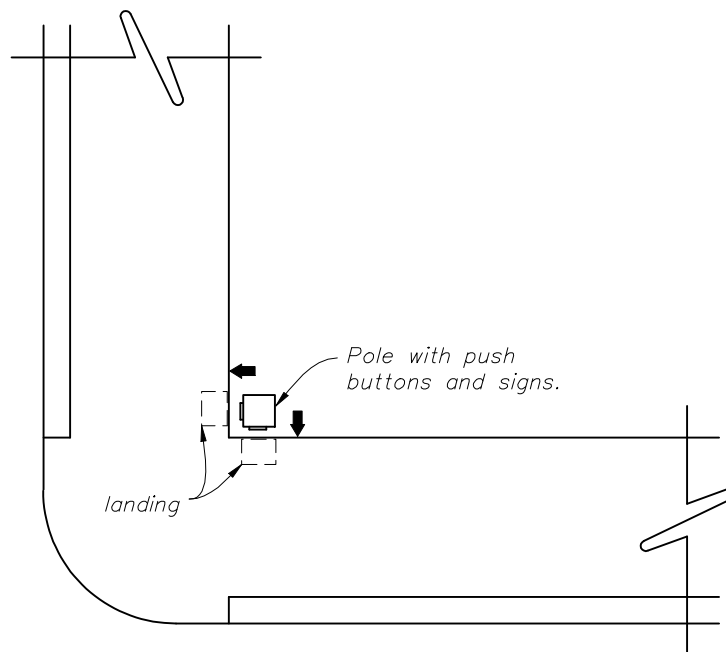
FTP-26-06



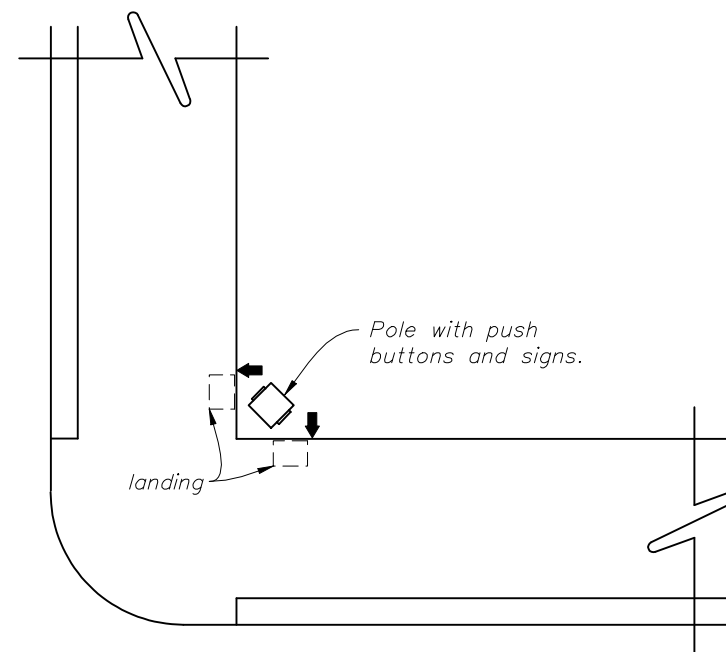
FTP-68A-06



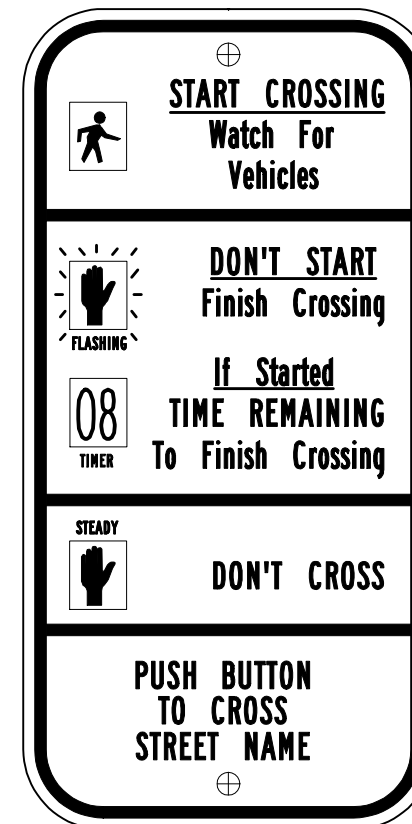
R10-3b
(Use Only for Case I)



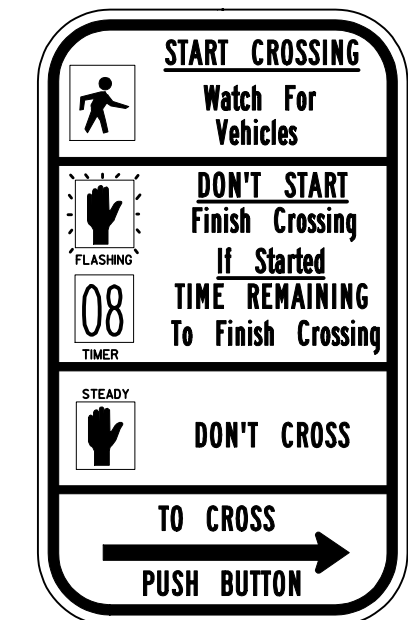
CASE I
POLE PARALLEL TO CURBLINE
ALTERNATE TO FIGURE F



CASE II
POLE DIAGONAL TO CURBLINE



FTP-68B-06



R10-3e
(Use Only for Case I)

NOTE:

1. Refer to the MANUAL ON UNIFORM TRAFFIC CONTROL DEVICES figure 2B-18 Pedestrian Signs, The STANDARD HIGHWAY SIGNS MANUAL (English) Sign R10-3b for Text Size, Spacing and Symbol size. Also see DESIGN STANDARDS Index 17355 for details of FTP signs.

