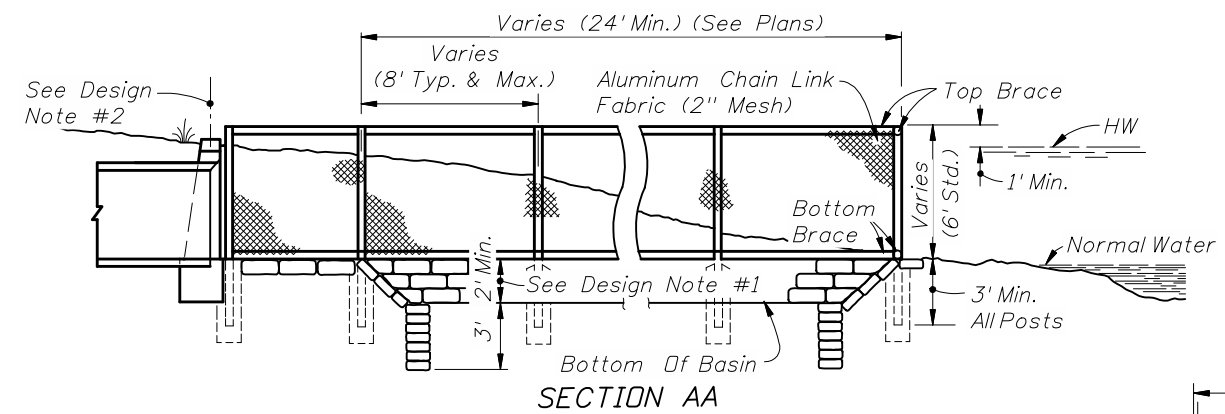
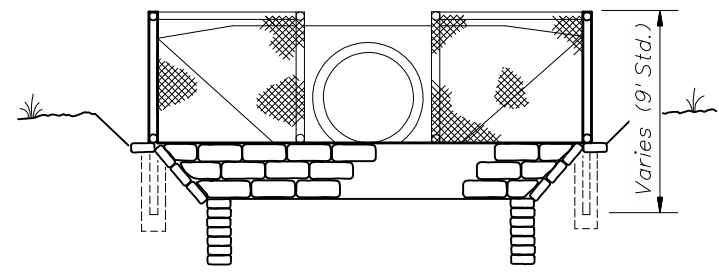


PLAN VIEW

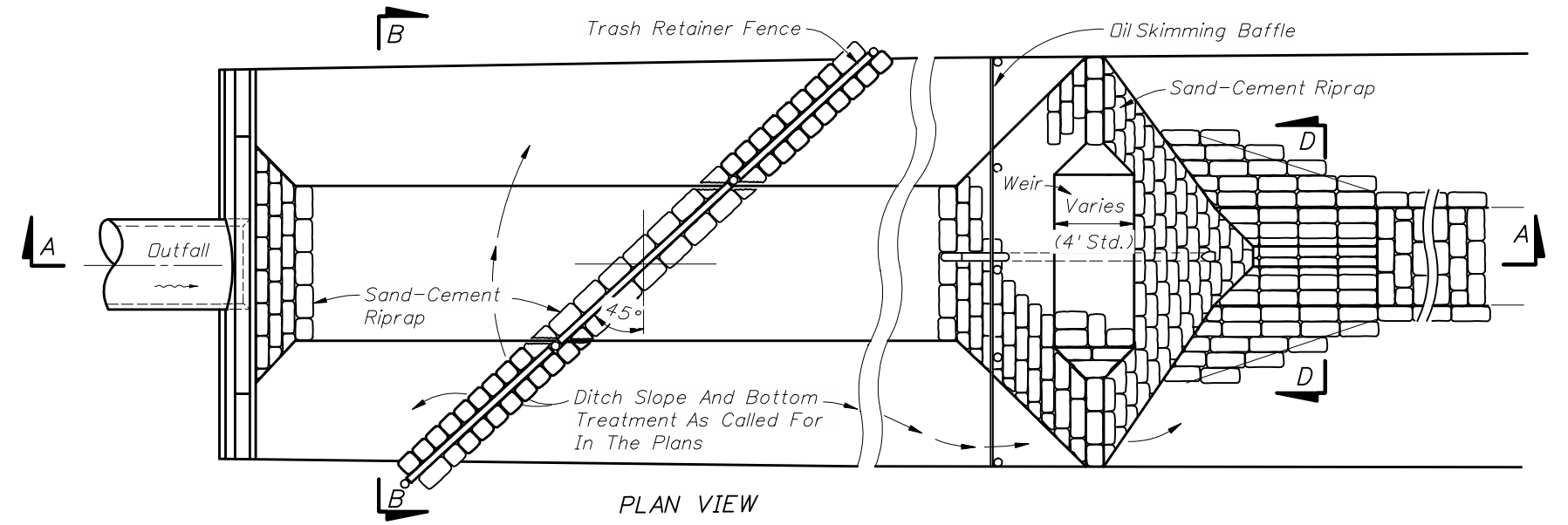


SECTION AA

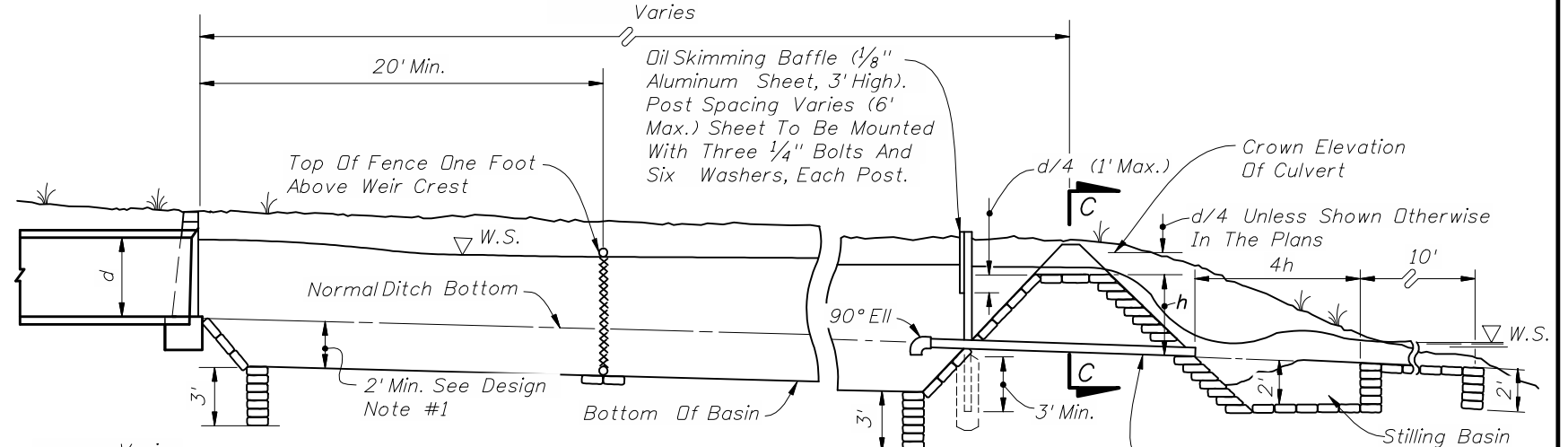


SECTION BB

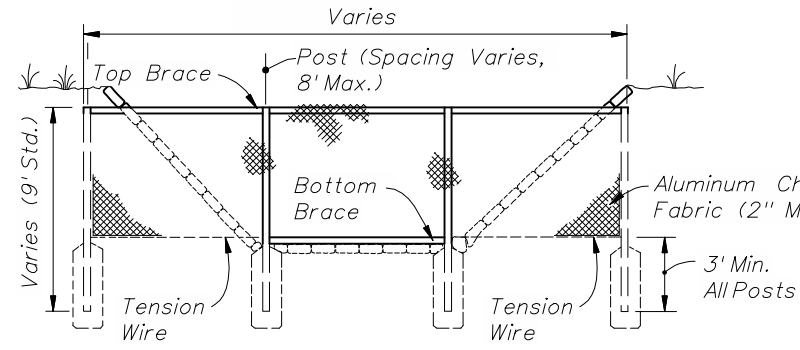
INTENDED FOR USE WHEN THE STORM SEWER OUTFALLS ADJACENT TO A SHORE LINE
TYPE A



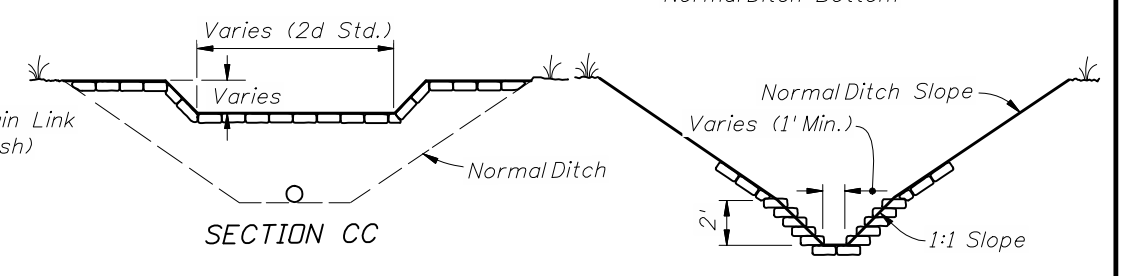
PLAN VIEW



SECTION AA



SECTION BB



SECTION CC

SECTION DD

INTENDED FOR USE WHEN THE STORM SEWER OUTFALLS IN AN OPEN DITCH
TYPE B

GENERAL CONSTRUCTION NOTES

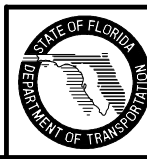
- Fence materials shall be aluminum or concrete only.
- Aluminum posts shall be 3" diameter minimum. Aluminum railbraces shall be in accordance with Index No. 802. Concrete posts and railbraces shall be in accordance with Index No. 801. All posts to be set in concrete.
- Fabric shall be installed to inside of posts and railbraces, and tied to posts and braces at 6" centers.
- For additional details on fencing, see Index Nos. 801 and 802.
- All basin slopes to be 1:1 unless detailed otherwise in the plans.
- Sediment basins to be constructed prior to commencement of upland construction. Maintenance and clean out to be by the Contractor until acceptance of project by the Engineer.

DESIGN NOTES

- Basins should be as deep as practical with a minimum depth of 2.0 feet.
- In Type A, when the top of endwall is below high water, fence also will be required along the top of the endwall.
- In Type B, the weir shall be located as far from the endwall as practical. On steep ditch grades two or more weirs may be required. Intermediate weirs shall be constructed without stilling basins.
- In Type B, the 6" PVC shall be constructed unless shown otherwise in the plans.

GENERAL NOTES

- The cost for Type A and Type B trash retainer and sediment basins shall include the cost for riprap, fencing, baffles, piping and for sump and weir earthwork over and above ditch excavation called for in the plans. Payment for both Type A and Type B shall be under the contract unit price for Sediment Basins, Each. Cleanouts as called for in the plans shall be paid for under the contract unit price for Sediment Basin Cleanouts, CO.



2010 FDOT Design Standards

TRASH RETAINER AND SEDIMENT BASIN

Last Revision	Sheet No.
07/01/05	1 of 1
Index No.	
101	