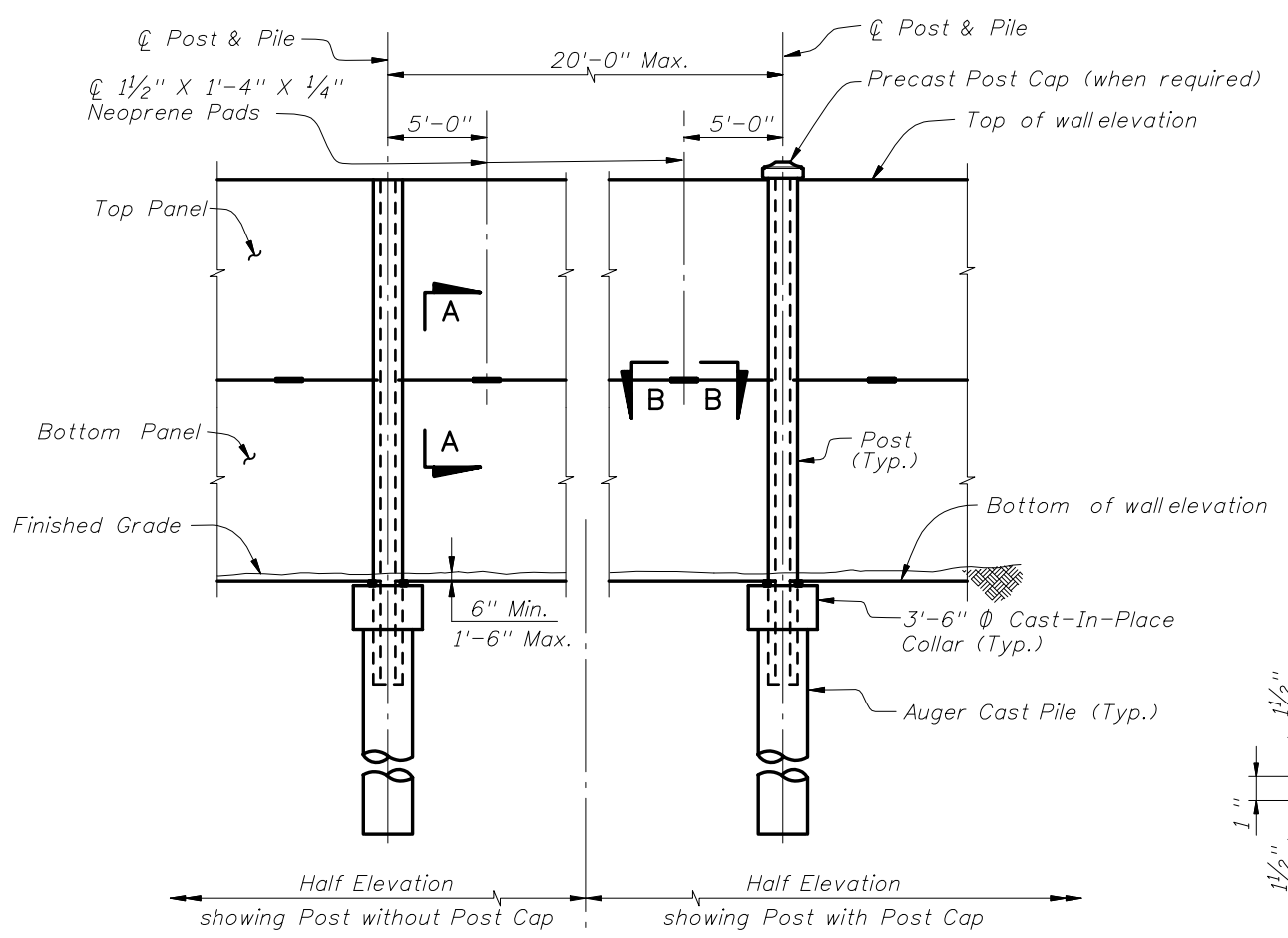
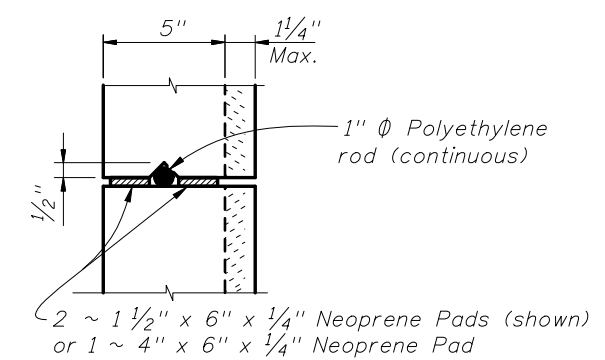


PRECAST POST CAP DETAIL

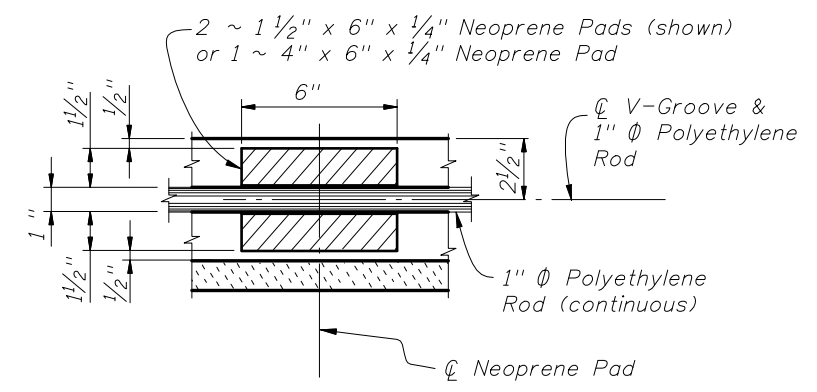
Note: See plans for Post Cap requirements.  
See Index No. 5207 for Post Cap details.



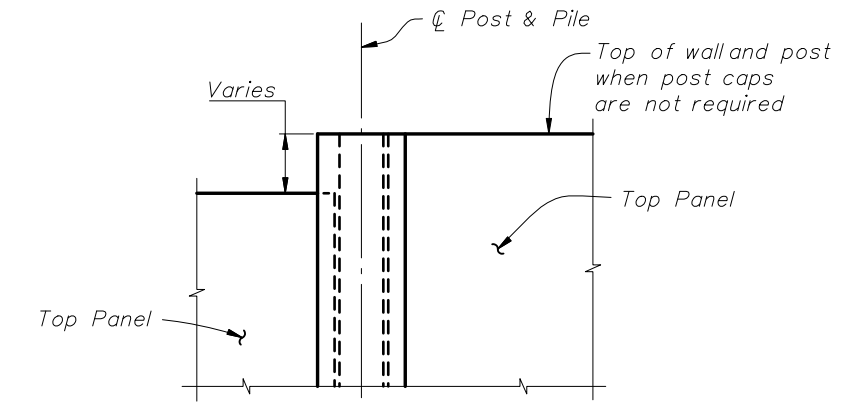
TYPICAL ELEVATION  
(Pile/Post Connection Option A Shown)



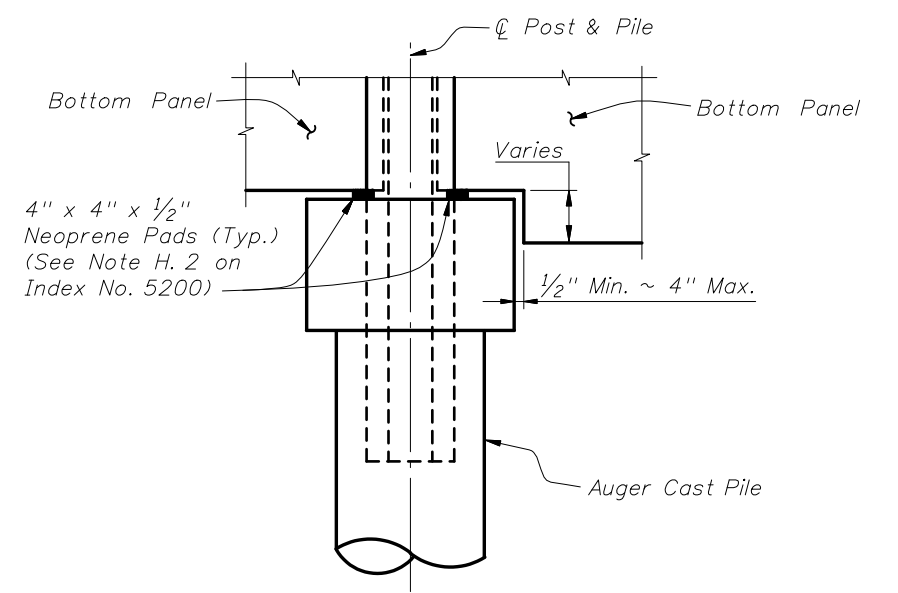
SECTION A-A



SECTION B-B



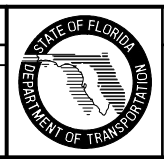
ELEVATION STEP AT TOP OF WALL



ELEVATION STEP AT BOTTOM OF WALL  
(Pile/Post Connection Option A Shown)

TYPICAL PANELS AND POSTS

REVISIONS			
DATE	BY	DESCRIPTION	
07/01/08	SJN	Added Precast Post Cap Detail. Changed Step Panel At Bottom of Wall clearance to 1/2" Min. ~ 4" Max.; and Neoprene Pads in Section A-A & B-B.	



2008 Interim Design Standard  
**PRECAST SOUND BARRIERS  
- FLUSH PANEL OPTION**

Interim Date: 07/01/08  
Sheet No. 1 of 4  
Index No. **5202**