

**Wall joint spacing 25 ft. maximum.
At minimum, every fourth wall joint to be an expansion joint.
See Plans for actual wall joint spacing and expansion joint location.

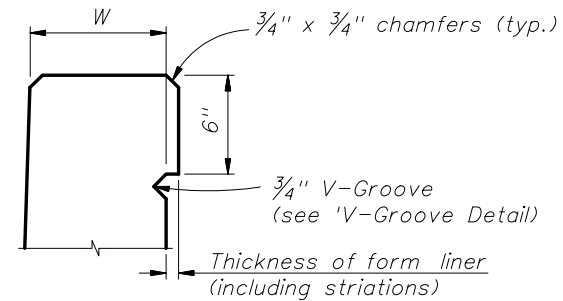
All exposed wall surfaces shall receive a Class 5 Applied Finish Coating

Ground Line
Top of Footing Level (typ.)

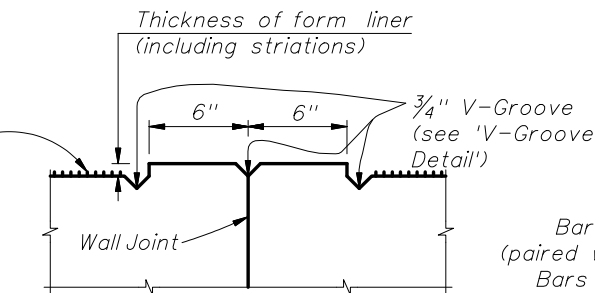
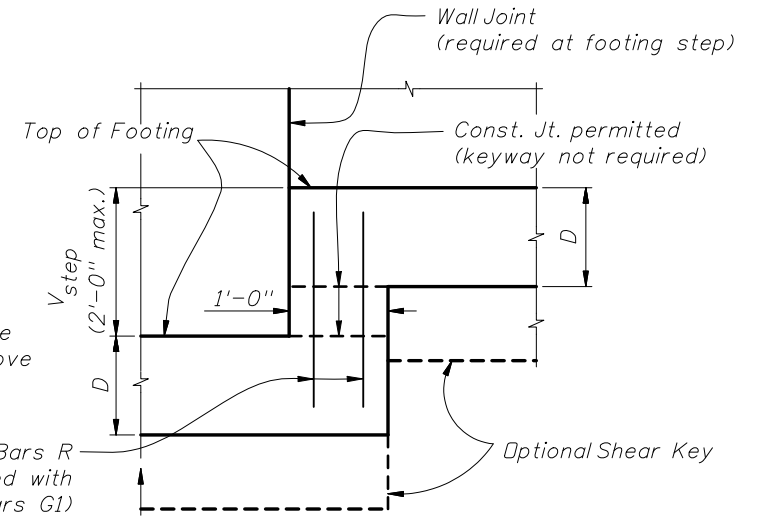
3" Ø PVC Drain Pipe at 10 ft. max. spacing (typ.) See 'Typical Backfill Detail'

At Contractor's option, Striations may terminate at 6" min. below ground line

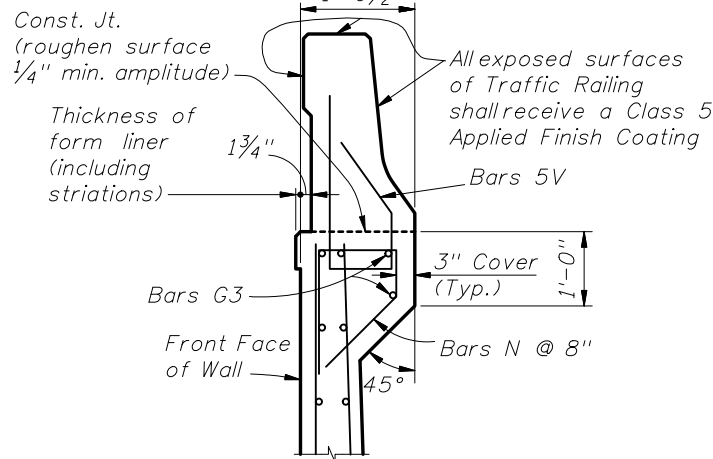
3/4" V-Groove across top and down front face of wall at joint (typ.). Extend V-Groove down back of wall to 6" min. below ground. (see 'V-Groove Detail')



SECTION A-A

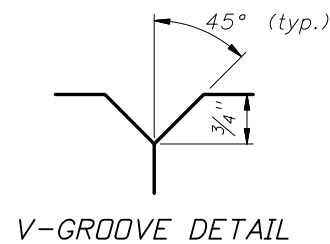


SECTION B-B

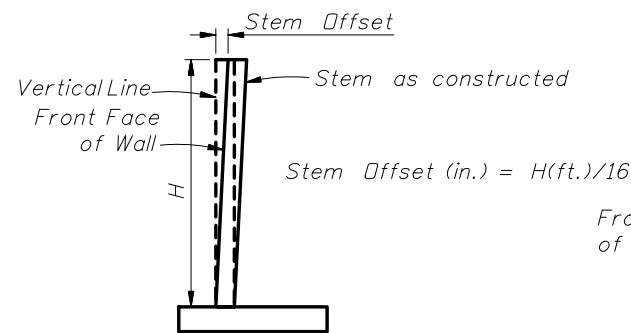


TRAFFIC RAILING ON WALL DETAIL
(for Traffic Railing details see Index No. 420)

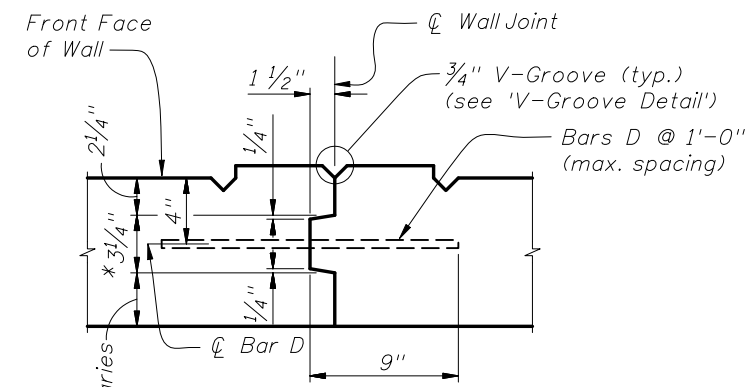
FRONT ELEVATION



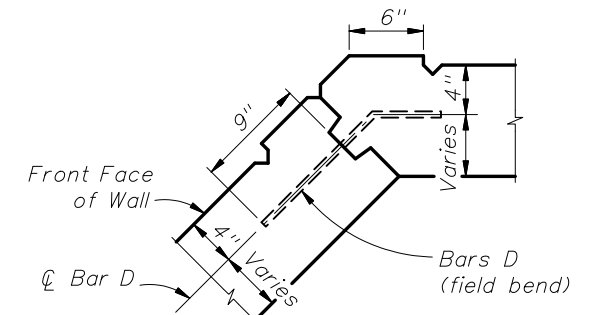
V-GROOVE DETAIL



STEM OFFSET VALUES
(for H < 20 ft.)



WALL JOINT DETAIL



TYPICAL CORNER JOINT DETAIL

3" Ø PVC Drain Pipe. Slope down 1/2" from back to front of wall and extend 1/2" beyond both front face and back face of wall.

1" clr.
Final Groundline.

Inside ends of weep holes shall be covered with 1.0 square foot of galvanized mesh with 1/4" openings

See Roadway Plans for drainage requirement

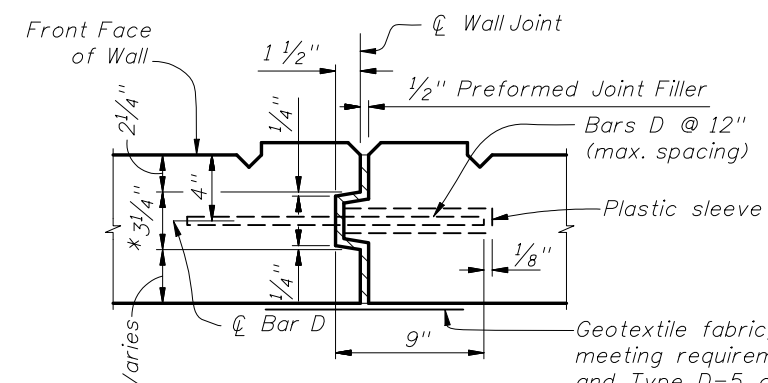
Backfill layers to be sloped both transversely and longitudinally as necessary to drain and prevent ponding during backfilling. Backfilling shall comply with FDOT Specifications.

Excavation shall comply with FDOT Specifications.

Drain shall be continuous 1.5' x 1.5' clean, broken stone or gravel, graded and placed so as to allow free drainage. Place geotextile fabric, meeting requirements of FDOT Specification 985 and Type D-3 of Index No. 199, around the perimeter to prevent fill from washing out.

TYPICAL BACKFILL DETAIL

*Key to stop 6" from top of wall. Joint across top of wall to be straight line.

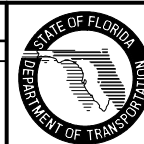


EXPANSION JOINT DETAIL

Geotextile fabric, 1'-0" wide and full height of fill, meeting requirements of FDOT Specification 985 and Type D-5 of Index No. 199. Apply an adhesive approved by the Engineer to the back of wall for attachment of fabric material.

REVISIONS

DATE	BY	DESCRIPTION	DATE	BY	DESCRIPTION
07/01/08	CBH	Changed to plastic sleeve expansion joint.			



2008 Interim Design Standard

RETAINING WALL - CAST IN PLACE

Interim Date 07/01/08
Sheet No. 2 of 2
Index No. 5100