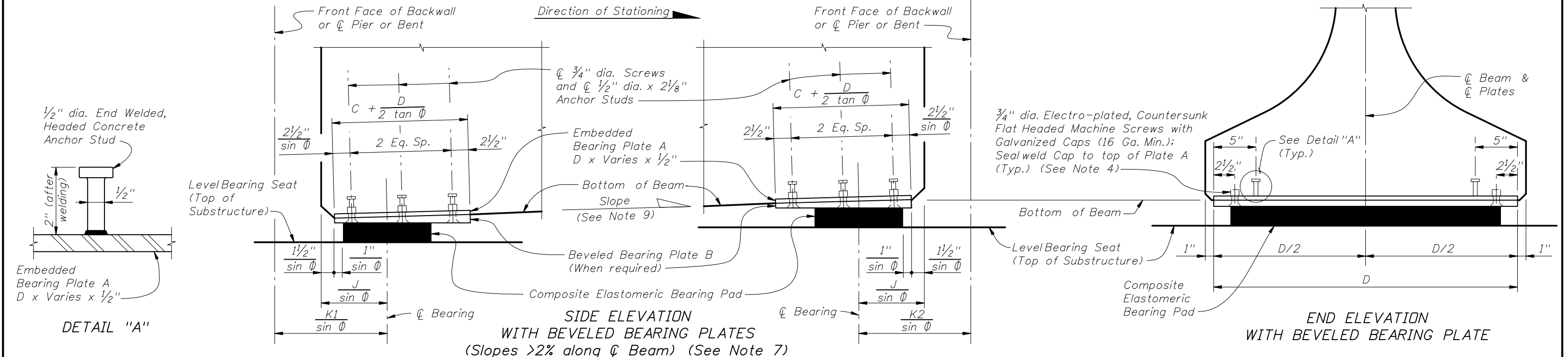


**BEVELED BEARING PLATE B**  
(Along  $\bar{C}$  Beam)  
(Positive Slope, Begin Bearing shown;  
Negative Slope, End Bearing similar)

**PLAN**  
( $0^\circ < \text{Skew} \leq 45^\circ$  shown,  $\text{Skew} = 0^\circ$  Similar)

- NOTES:
1. Work this sheet with Index No. 20510 - Composite Elastomeric Bearing Pads, and 'BEARING PLATE DATA TABLE' in the Structures Plans.
  2. Embedded Bearing Plates A are required for all Florida-I beams. Beveled Bearing Plates B with Embedded Bearing Plates A are required for beams as scheduled in the 'BEARING PLATE DATA TABLE' in the Structures Plans.
  3. Bearing plate material shall conform to ASTM A36 or ASTM A709 (Grade 36 or 50). Headed Concrete Anchor Studs shall conform to Specification Section 502. Hot-dip galvanize Bearing Plates A & B after fabrication except that Galvanized Caps may be welded in place after hot-dip galvanizing. Drill Bearing Plates A and B as an assembled unit, thread Bearing Plate A only. Holes are not required in Plate A when Plate B is not required. Drill and thread holes perpendicular to the bottom of Plate B and prior to plates being galvanized (ASTM A 123).
  4. Provide Electroplated, Flat Countersunk Head Cap Screws in accordance with ASTM F 835. Electroplating shall be ASTM B633, SC 2, Type 1. Provide screws long enough to maintain a  $\frac{3}{4}$ " minimum embedment into Embedded Bearing Plate A and Galvanized Cap. Provide steel Galvanized Caps with  $\frac{1}{2}$ " min. to  $1\frac{1}{2}$ " max. height and nominal 1" inside diameter.
  5. Include the cost of Bearing Plates in the pay item for Prestressed Beams.
  6. For Dimensions C and D, see 'BEARING PLATE DIMENSIONS' on Index No. 20510 and the 'BEARING PLATE DATA TABLE' in the Structures Plans. For Dimensions J, K1 and K2, see 'TABLE OF BEAM VARIABLES' in the Structures Plans.
  7. All details and dimensions shown are along  $\bar{C}$  Beam, except for dimensions to  $\frac{3}{4}$ " dia. Screws and  $\frac{1}{2}$ " dia. x  $2\frac{1}{8}$ " Anchor Studs, which are along  $\bar{C}$  Screws or  $\bar{C}$  Anchor Studs. Positive Slope shown, Negative Slope similar.
  8. When  $\text{Skew} = 0^\circ$ , dimensions for Embedded Bearing Plate A are  $D \times C \times \frac{1}{2}$ " and for Beveled Plate B are  $D \times C \times \frac{1}{2}$ " Min.
  9. Slope is determined along  $\bar{C}$  Beam at  $\bar{C}$  Bearing. See 'BEARING PLATE DATA TABLE' in the Structures Plans for Slope and Angle  $\phi$ .

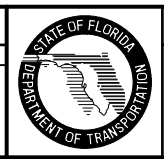


**DETAIL "A"**

**SIDE ELEVATION WITH BEVELED BEARING PLATES**  
(Slopes  $> 2\%$  along  $\bar{C}$  Beam) (See Note 7)

**END ELEVATION WITH BEVELED BEARING PLATE**

REVISIONS			
DATE	BY	DESCRIPTION	
07/01/09	SJN	New Design Standard.	



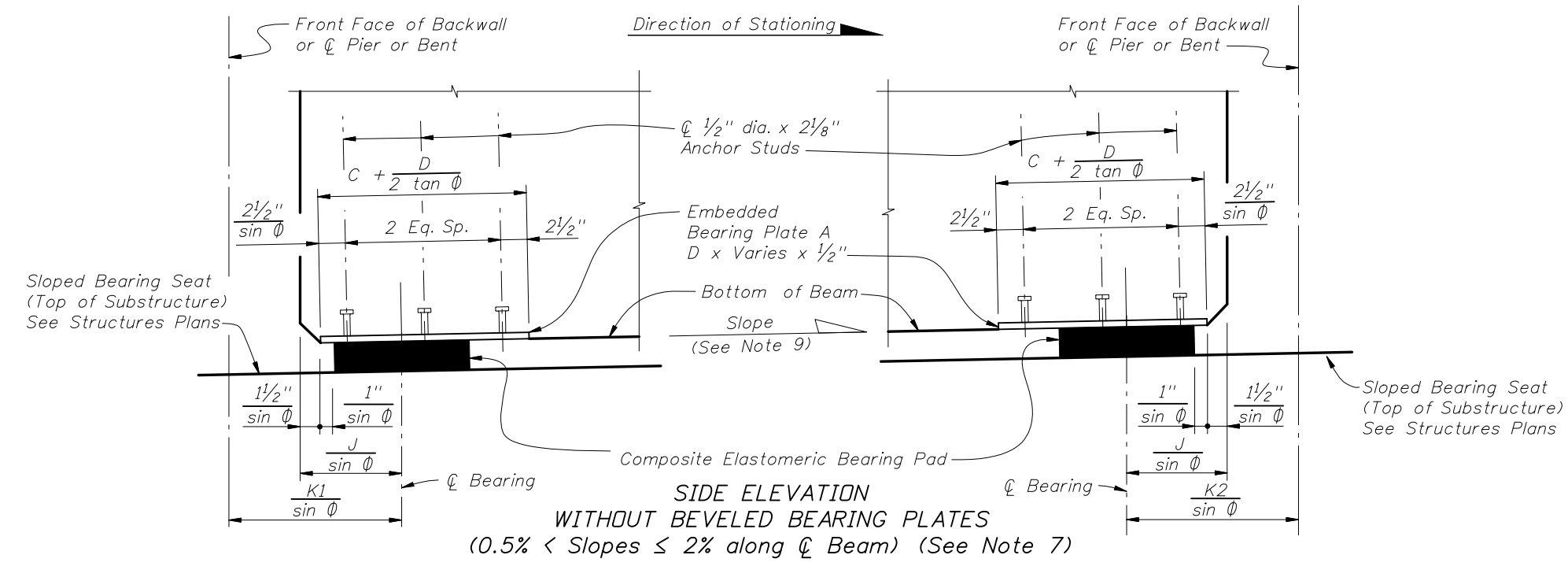
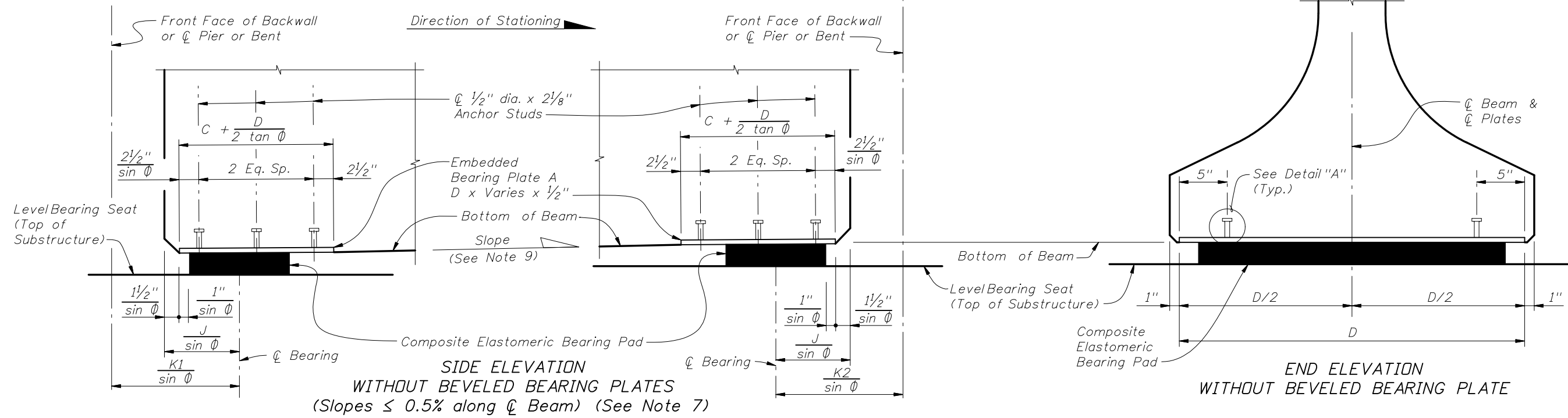
2008 Interim Design Standard

**BEARING PLATE DETAILS**  
**PRESTRESSED FLORIDA-I BEAMS**

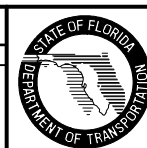
Interim Date  
07/01/09

Sheet No.  
1 of 2

Index No.  
**20511**



REVISIONS			
DATE	BY	DESCRIPTION	
07/01/09	SJN	New Design Standard.	



2008 Interim Design Standard

**BEARING PLATE DETAILS**  
**PRESTRESSED FLORIDA-I BEAMS**

Interim Date	Sheet No.
07/01/09	2 of 2
Index No.	
20511	