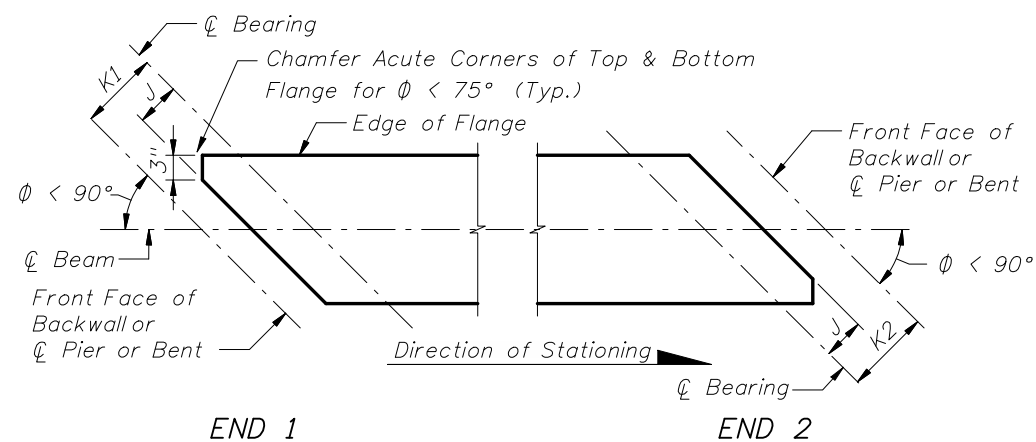
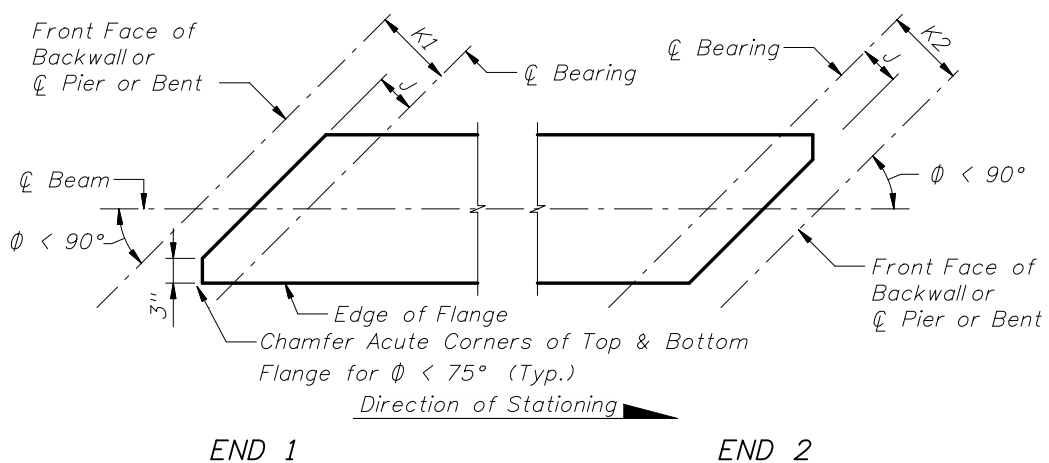


CASE 1

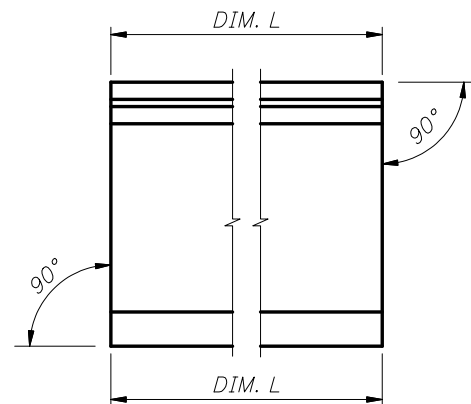


CASE 2

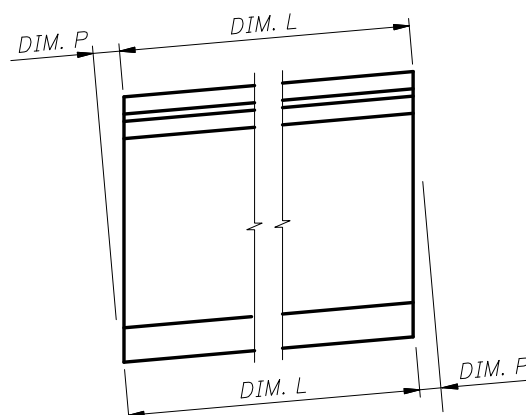


CASE 3

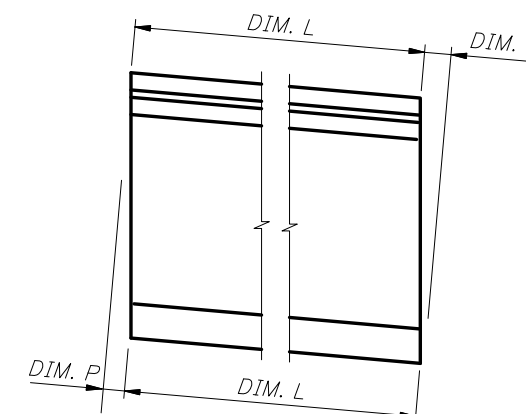
SCHEMATIC PLAN VIEWS AT BEAM ENDS



CONDITION 1
(P = 0.0)



CONDITION 2



CONDITION 3

SCHEMATIC END ELEVATIONS OF BEAMS
(Showing Vertical Bevel of Beam End)

BEAM NOTES

- All bar dimensions are out-to-out.
- Place one (1) Bar 5K or 5Z at each location as detailed alternating the direction of the ends for each bar (see "ELEVATION AT END OF BEAM", Index Nos. 20036, 20045, 20054, 20063, 20072 and 20078).
- Bars 4L shall be bent prior to the beam leaving the prestressing yard. Bars 4L shall be bent parallel to the ends of the beams.
- Caution should be used with Bars 4L in the ends of exterior beams to assure the bent portion of the bar is properly oriented so that the bar will be embedded in the diaphragm concrete.
- Strands N shall be either ASTM A416, Grade 250 or Grade 270, seven-wire strands 3/8" ϕ or larger, stressed to 10,000 lbs. each.
- Unless otherwise noted, the minimum concrete cover for reinforcing steel shall be 2".
- At the Contractor's option, welded deformed wire reinforcement may be used in lieu of Bars 3D, 5K, 4M, and 5Z as shown on the Standard Details for each beam size. Welded deformed wire reinforcement shall conform to AASHTO M221, with a minimum yield strength of 75 ksi.
- Install Safety Sleeves approximately 2'-0" from ends of beam and spaced on 8'-0" (Max.) centers. Safety Sleeves shall be 2 1/2" NPS x 5" Sch. 40 PVC Pipe with Cap. Holes shall be free of debris and water prior to casting deck.
- For beams with skewed end conditions, the end reinforcement, defined as Bars 3C1, 3C2, 3D1, 3D2, 5K, 4M1, 4M2, 5Y and 5Z placed within the limits of the spacing for Bars 3C in "ELEVATION AT END OF BEAM", shall be placed parallel to the skewed end of the beam. Bars 3D3, 5K and 4M3 located beyond the limits of Bars 3C shall be placed perpendicular to the longitudinal axis of the beam. Fan Bars as needed to avoid overlapping bars at the transition to Bars 3D3 and 4M3, and field cut to maintain minimum cover. Provide additional Bars 4M1, 4M2, 3D1 and 3D2 as required; additional bars are not included in the Number Required on the "BILL OF REINFORCING STEEL". For placement locations, see "SKEWED BEAM END DETAILS". Adjust the dimensions of Bars 3C1, 3C2, 3D1, 3D2, 4M1 and 4M2 as shown on the "BENDING DIAGRAM" for skewed end conditions.
- Placement of Bars 3C1, 3D1 and 4M1 correspond to END 1, and Bars 3C2, 3D2 and 4M2 correspond to END 2. END 1 and END 2 are shown on the beam "ELEVATION".
- For Beams with vertically beveled end conditions, place first row of Bars 3C1, 3C2, 3D1, 3D2, 5K, 5Y and 5Z parallel to the end of the beam. Progressively rotate remaining bars within the limits of Bars 5Z until vertical by adjusting the spacing at the top of beam up to a maximum of 1". For welded deformed wire reinforcement, cut top cross wire and rotate bars as required or reduce end cover at top of the beam to minimum 1".
- For beams with skewed end conditions, welded deformed wire reinforcement shall not be used for end reinforcement (Bars 3D1, 3D2, 4M1 and 4M2).
- Bars 5K and 5Z shall be placed and tied to the fully bonded strands in the bottom or center row (see "STRAND PATTERN" on the Table of Beam Variables in Structures Plans). For welded deformed wire reinforcement, supplemental transverse #4 bars are permitted to support Pieces K & S under the cross wires on the bottom row of strands.
- At the Contractor's option, Bars 3D1, 3D2 and 3D3 may be fabricated as a single bar with a 1'-0" minimum lap splice of the top legs.
- For referenced Dimensions, Angles and Case Numbers, see the Table of Beam Variables in Structures Plans.

INSTRUCTIONS TO DESIGNER:

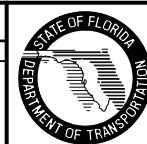
To limit vertical splitting forces in the webs of beams, the maximum prestress force at the beam ends from fully bonded strands must be limited to the following:

Beam Type	Max. Bonded Prestress Force	Index No.	Last Revision Date
Florida-I 36	1450 Kips	20036	07/01/09
Florida-I 45	1670 Kips	20045	07/01/09
Florida-I 54	1740 Kips	20054	07/01/09
Florida-I 63	1740 Kips	20063	07/01/09
Florida-I 72	1980 Kips	20072	07/01/09
Florida-I 78	2230 Kips	20078	07/01/09

No losses shall be applied when calculating the Bonded Prestress Force. The reinforcing in the ends of the beams must not be modified without the approval of the State Structures Design Engineer.

REVISIONS

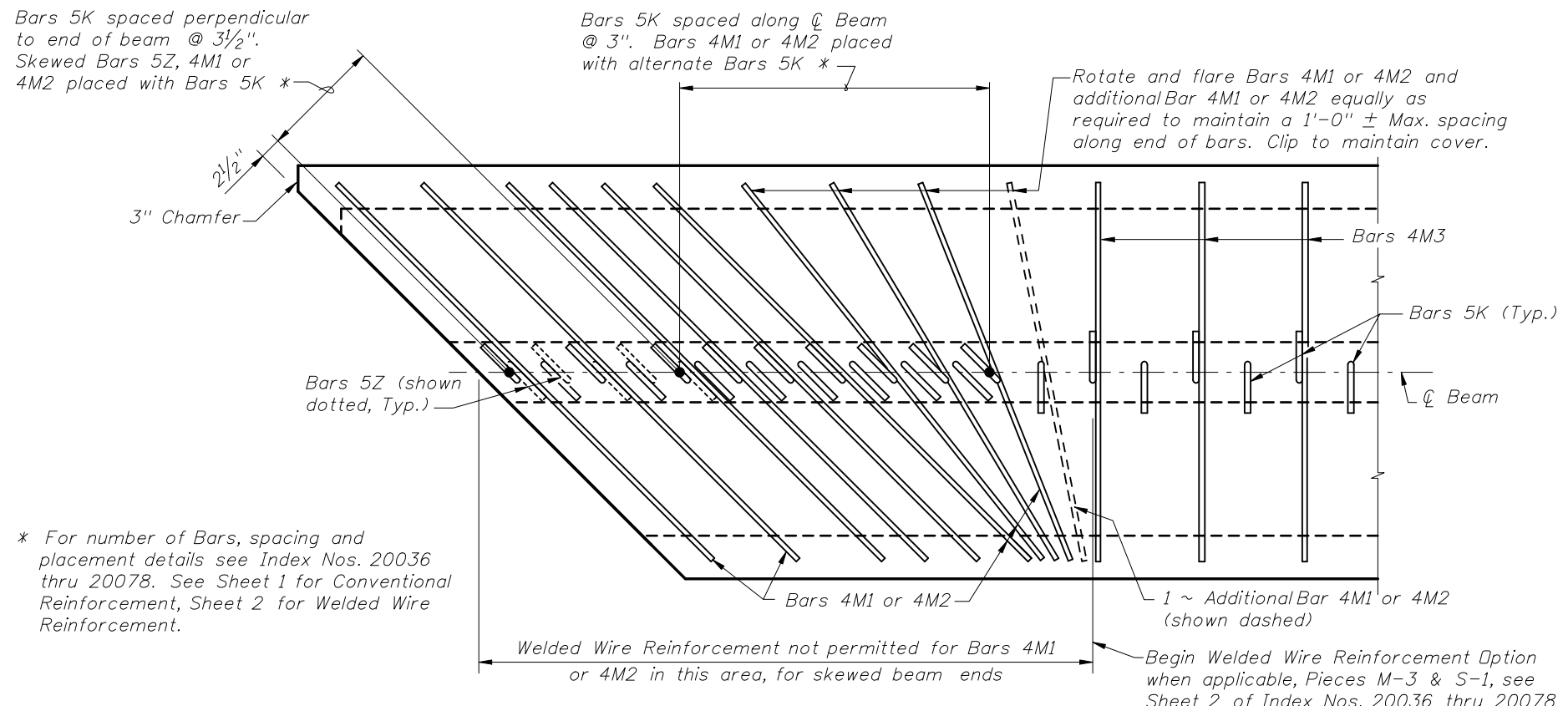
DATE	BY	DESCRIPTION	DATE	BY	DESCRIPTION
07/01/09	SJN	New Design Standard			



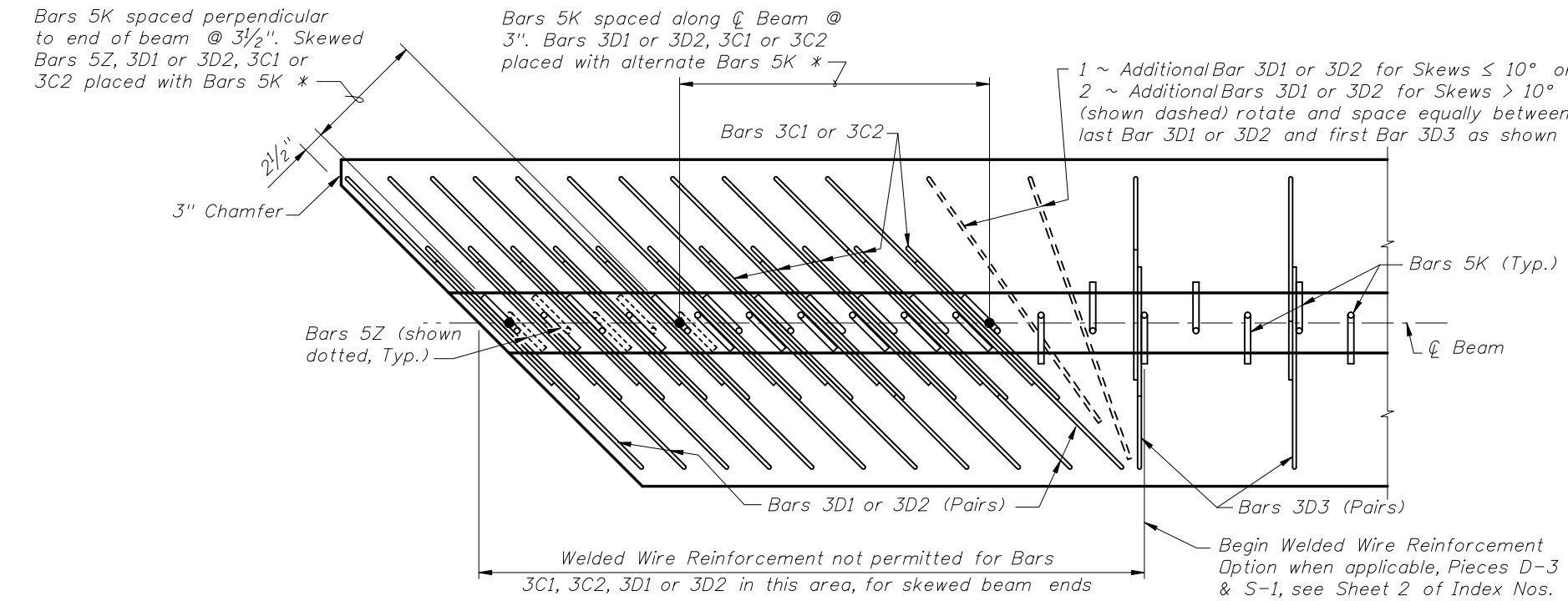
2008 Interim Design Standard

**TYPICAL FLORIDA-I BEAM
DETAILS AND NOTES**

Interim Date	Sheet No.
07/01/09	1 of 2
Index No.	
20010	

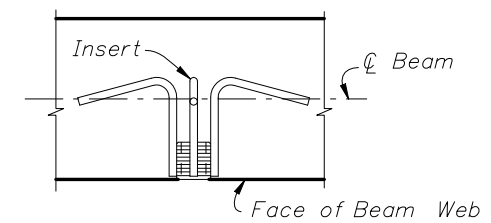


PARTIAL PLAN VIEW (SHOWING TOP FLANGE)
 (End 1 Shown, End 2 Similar)
 (Bars 5A, 4L, 5Y & Strands N not shown for clarity)



PARTIAL SECTION THRU WEB (SHOWING BOTTOM FLANGE)
 (End 1 Shown, End 2 Similar)
 (Bars 4L, Bars 5Y & Strands not shown for clarity)

SKewed BEAM END DETAILS
 (Florida-I 36 Beam shown, others similar)



PLAN SECTION THRU BEAM WEB AT INSERT FOR DIAPHRAGM REINFORCING
 (When Intermediate Diaphragms are Required by Design)

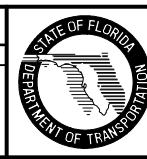
INSERT NOTES

1. Provide 1" ϕ , zinc-electroplated, ferrule wing nut or coil inserts, UNC threads, 1/0 minimum gage wire, not more than 4" in depth with a minimum ultimate tensile strength of 11,400 lbs. in 4,000 p.s.i. concrete.
2. If inserts are needed on both sides (faces) of beam webs, an assembly as long as the thickness of the beam web, consisting of two (2) ferrule or coil inserts attached by two (2) or more struts may be utilized. The connecting struts shall have a minimum ultimate tensile strength of 11,400 lbs.
3. Inserts for diaphragm reinforcing are required at each end of each intermediate diaphragm shown on the Beam Framing Plan. See Superstructure and Beam Framing Plans for longitudinal location of inserts for each face of beam.

INSERT DETAIL

REVISIONS

DATE	BY	DESCRIPTION	DATE	BY	DESCRIPTION
07/01/09	SJN	New Design Standard			



2008 Interim Design Standard

TYPICAL FLORIDA-I BEAM DETAILS AND NOTES

Interim Date	Sheet No.
07/01/09	2 of 2
Index No.	
20010	