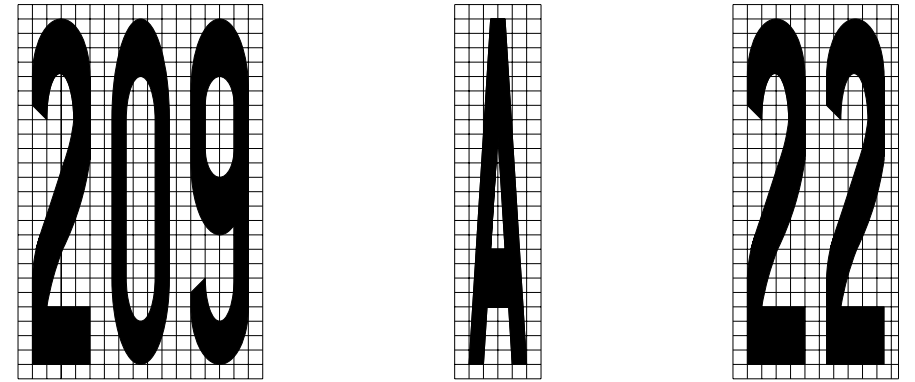


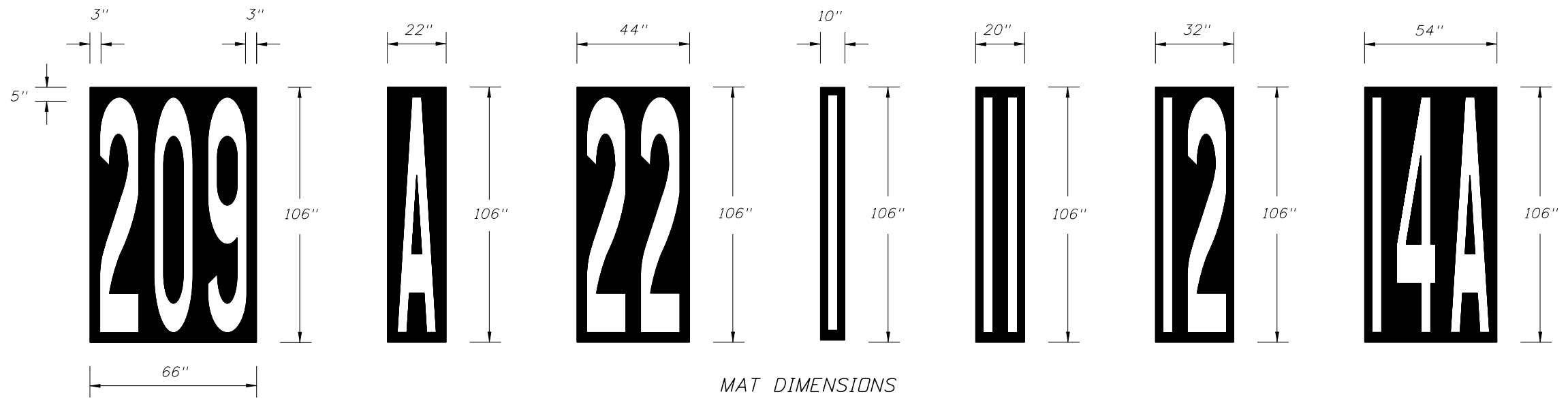
LAYOUT FOR 1, 2 AND 3 DIGIT NUMBERS AND LETTERS



MESSAGE SIZE AND SPACING  
4" X 4" squares

NOTES:

1. Messages shall meet requirements of Specification Section 971-6 and Section 711.
2. The thickness of the preformed message shall be 125 mils.
3. The message shall consist of white letters and numbers with black contrasting material. The black material shall meet the mat dimensions shown and have a minimum skid resistance value of 55 BPN.
4. The "EXIT NUMBER" position remains the same distance from the beginning of taper regardless of the number of lines of information.



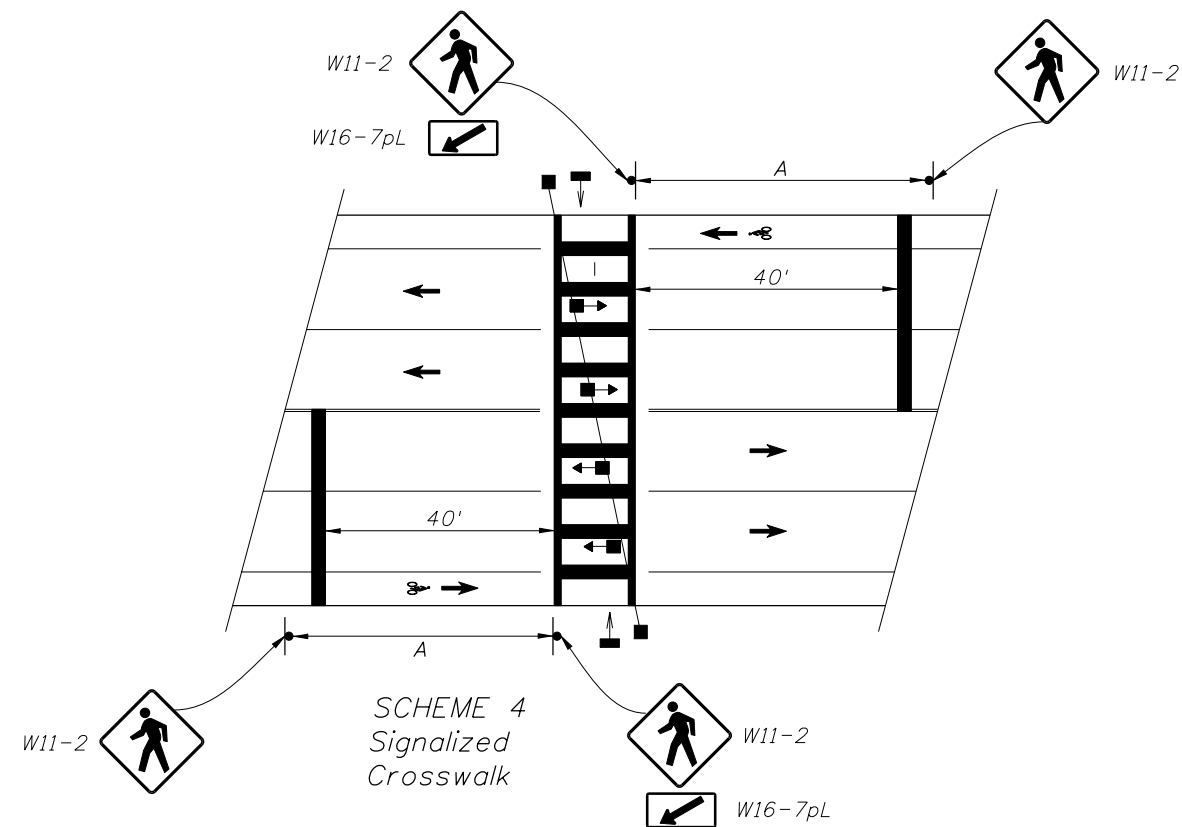
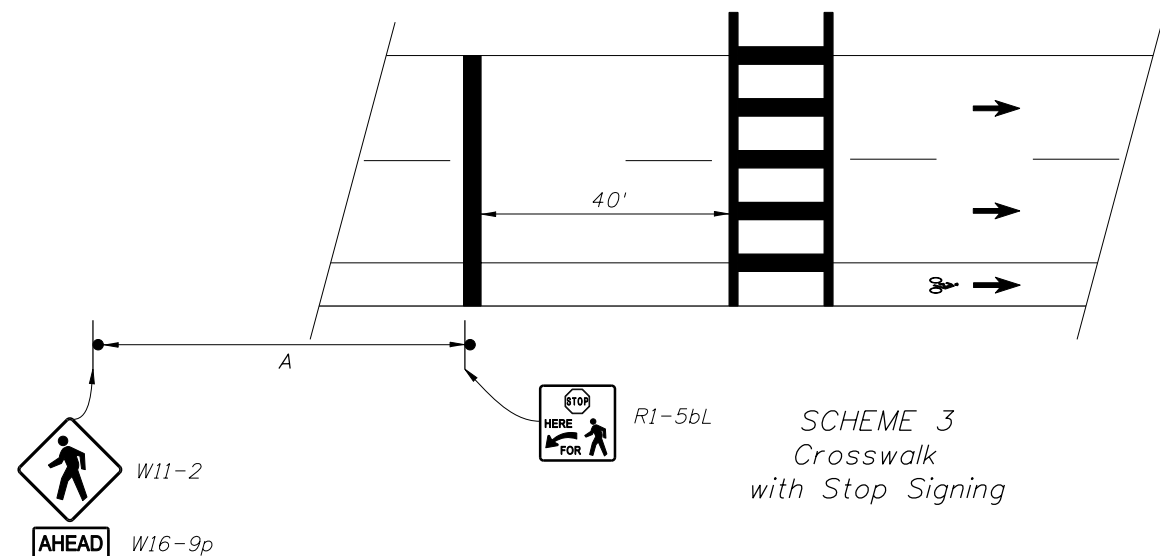
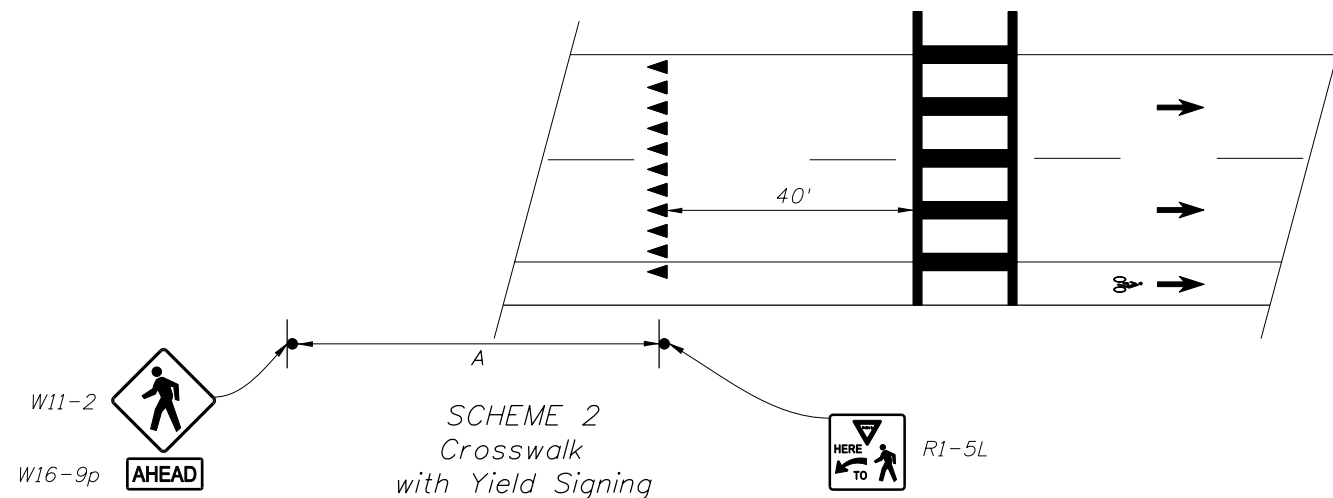
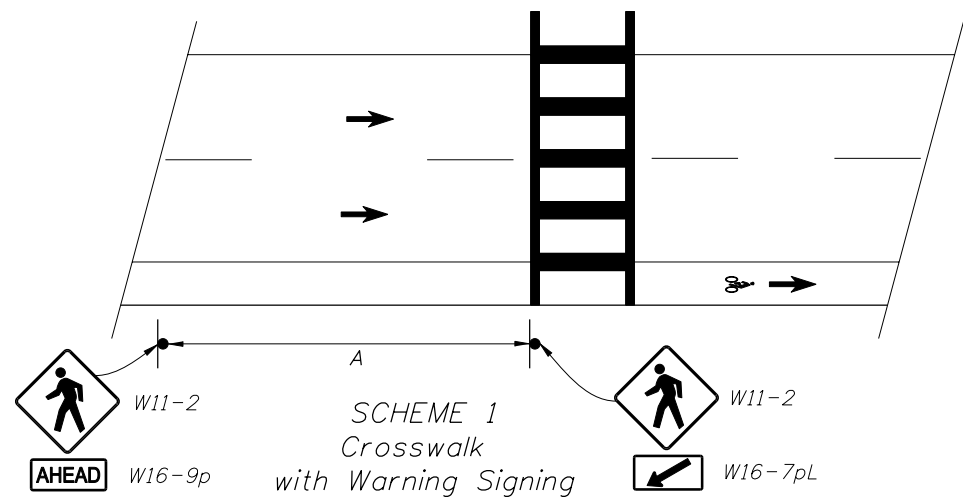
REVISIONS			
DATE	BY	DESCRIPTION	
06/02/09	L.W.	Added New Detail B-Exit Ramp with Auxiliary Lane. Note 1, and 4 Revised.	



2008 Interim Design Standard

**SPECIAL MARKING AREAS**

Interim Date	Sheet No.
07/01/09	7 of 14
Index No.	
17346	



APPROACH SPEED MPH	A-SUGGESTED DISTANCE (Ft.)
25 Or Less	200
26 To 35	250
36 To 45	300
46 To 55	325

1. Plans shall indicate which crosswalk scheme is to be used.
2. The details shown do not depict the signing and markings for multi-lane roadways with divided medians. For these applications, additional signs shall be installed on the median side.
3. All mid-block crosswalks shall use high emphasis crosswalk markings.
4. Crosswalk marking should utilize preformed marking materials.

REVISIONS			
DATE	BY	DESCRIPTION	DATE
11/05/08	C.H.	New sheet added to Special Markings Areas.	
06/15/09	C.H.	Sign text revised in SCHEME 3 R1-5bL with MUTCD changes.	

