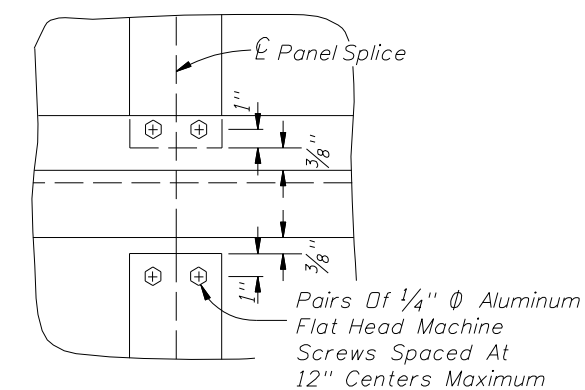
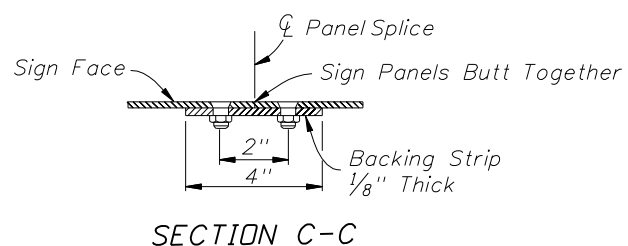
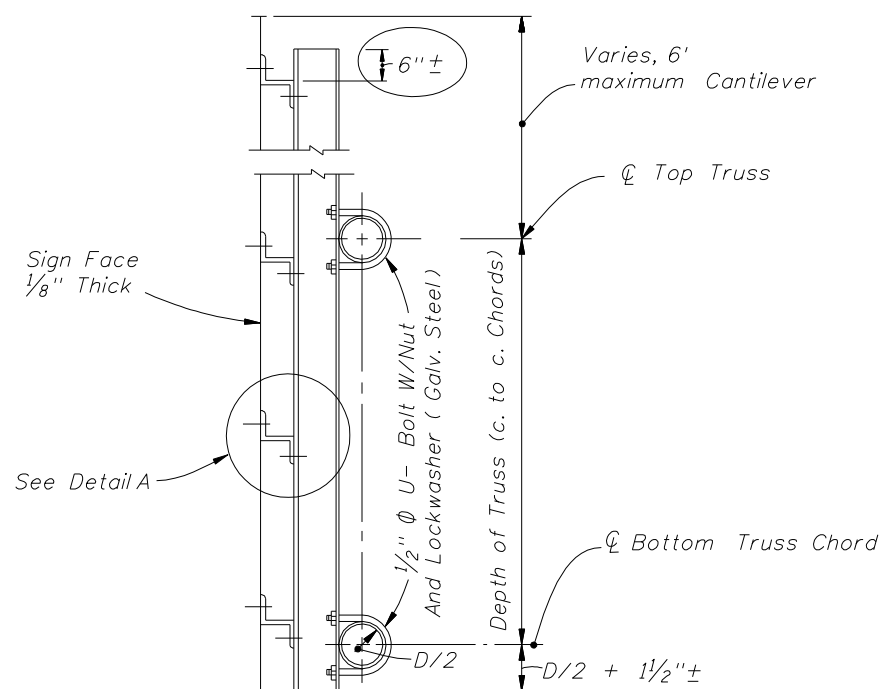


\*Note: Spacing of vertical hangers may be varied slightly or as necessary to clear the truss struts and diagonals at panel points.

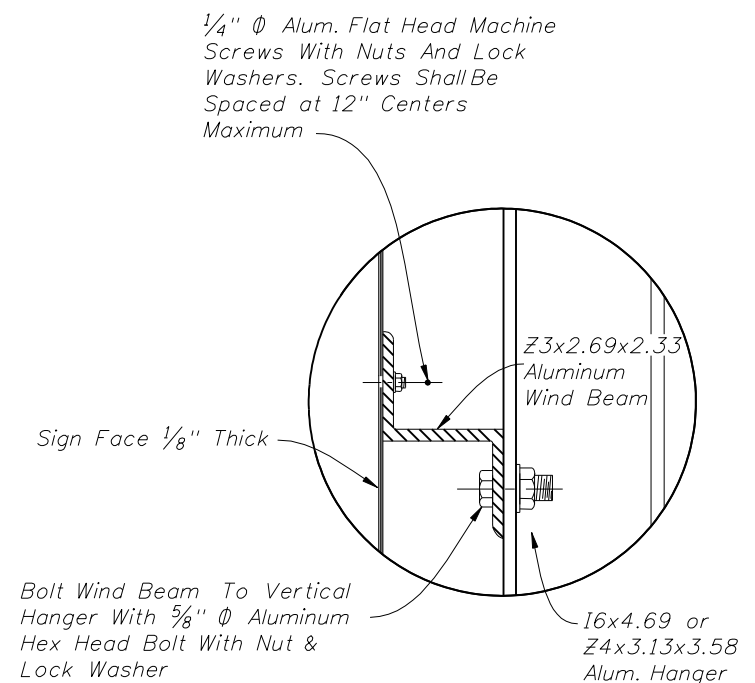
TYPICAL SIGN FACE ELEVATION FOR OVERHEAD TRUSS



BACKING STRIP DETAIL



TYPICAL DETAIL OF SIGN & TRUSS CONNECTION



( SHOWING ATTACHMENT OF SIGN FACE PANEL TO VERTICAL HANGER SUPPORTS, VERTICAL I SHAPE HANGER AS SHOWN, Z SHAPE OPTIONAL )

DETAIL A

Wind M.P.H.	No. Beams	Max. Depth	Number Of 16x4.69 or Z4x3.13x3.58 Vertical Hanger Beams For Sign Length			
			2 Hangers Sign Length	3 Hangers Sign Length	4 Hangers Sign Length	5 Hangers Sign Length
150	2	5'-0"	0 to 15'-0"	15'-1" to 30'-0"	30'-1" to 45'-0"	
150	3	8'-6"	0 to 15'-0"	15'-1" to 30'-0"	30'-1" to 45'-0"	
150	4	11'-6"	0 to 13'-0"	13'-1" to 18'-3"	18'-4" to 24'-9"	24'-10" to 31'-4"
150	5	14'-0"	0 to 13'-0"	13'-1" to 18'-3"	18'-4" to 24'-9"	24'-10" to 31'-4"
130	2	5'-3"	0 to 15'-0"	15'-1" to 30'-0"	30'-1" to 45'-0"	
130	3	8'-10"	0 to 15'-0"	15'-1" to 22'-3"	22'-4" to 30'-0"	30'-1" to 45'-0"
130	4	12'-0"	0 to 15'-0"	15'-1" to 22'-3"	22'-4" to 30'-0"	30'-1" to 38'-0"
130	5	15'-0"	0 to 11'-7"	11'-8" to 16'-4"	16'-5" to 22'-2"	22'-3" to 28'-0"
110	2	5'-6"	0 to 15'-0"	15'-1" to 30'-0"	30'-1" to 45'-0"	
110	3	9'-6"	0 to 15'-0"	15'-1" to 27'-3"	27'-4" to 37'-0"	37'-1" to 45'-0"
110	4	12'-9"	0 to 15'-0"	15'-1" to 27'-3"	27'-4" to 37'-0"	37'-1" to 45'-0"
110	5	16'-0"	0 to 14'-3"	14'-4" to 20'-0"	20'-1" to 27'-0"	27'-1" to 34'-3"

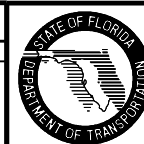
GENERAL NOTES

- (1) For "General Notes" covering Material Specifications see Index 11200.
- (2) Design based on 32 ft. maximum height to centroid of sign panel.
- (3) The Design Wind Speed shall conform to Wind Speed by County shown on Index 11200, Sheet 1 of 3.

DETAILS OF SIGN FACE & TRUSS CONNECTION

REVISIONS

DATE	BY	DESCRIPTION	DATE	BY	DESCRIPTION
11/14/07	L.W.	130mph-3 beams-5 hangers table values change max value from 38'-0" to 45'-0"	11/14/07	L.W.	If the Sign Panels are deeper than 12' has been changed to deeper than 10'.
		Detail A change wind beam to Vertical Hanger aluminum hex head connection bolt from 3/8" to 5/8".			



2008 Interim Design Standard

OVERHEAD SIGN STRUCTURES

Interim Date 01/01/08 Sheet No. 1 of 1

Index No. 11300