

SIGNAL MOUNT DETAILS

GENERAL NOTES

1. Work operations shall be confined to one traffic lane, except for haul road crossings, leaving the opposite lane open to traffic.
2. The installation and timing of signals shall be approved by the District Traffic Operations Engineer prior to signals being placed in operation.

Where sight distance to the signal is limited, the signals may be mounted on span wire at the discretion of the Engineer.

The maximum distance between portable traffic signals (receiver/controllers) shall be 0.25 mile; however, in no case shall the distance exceed the maximum distance at which the remote operator (transmitter) can positively and safely operate both portable signals.
3. Flaggers to supplement the signal operator/flagger shall be used when needed to assure safe movements between traffic and operating equipment, as determined by the Engineer.
4. When needed, an additional warning sign may be installed in advance of the ROAD WORK AHEAD sign. The distance between successive signs shall be 500'.
5. The SIGNAL AHEAD legend sign may be substituted for the symbol sign.
6. SIGNAL AHEAD and EQUIPMENT CROSSING AHEAD signs are to be removed or fully covered when no work is being performed and the highway is open to two-way traffic. Type III Barricades shall be in place to block haul road access when the haul road is not in operation and a flagger/signal operator is not on duty, except when the haul road is an existing properly marked road.
7. When a side road intersects the highway within the TTC zone, additional TTC devices shall be placed in accordance with other applicable TCZ Indexes.
8. For general TCZ requirements and additional information, refer to Index No. 600.
9. Span wire signals are to be used only in work zones with workers present, where the contractor can monitor signal operation and maintain traffic with flaggers in the event of a power failure.

CONDITIONS

WHERE ANY VEHICLE, EQUIPMENT, WORKERS OR THEIR ACTIVITIES WILL ENCROACH ON ONE LANE OR MOMENTARILY ENCROACH ON BOTH LANES OF A TWO-LANE TWO-WAY ROADWAY AND TRAFFIC SIGNALS ARE NEEDED.

SYMBOLS

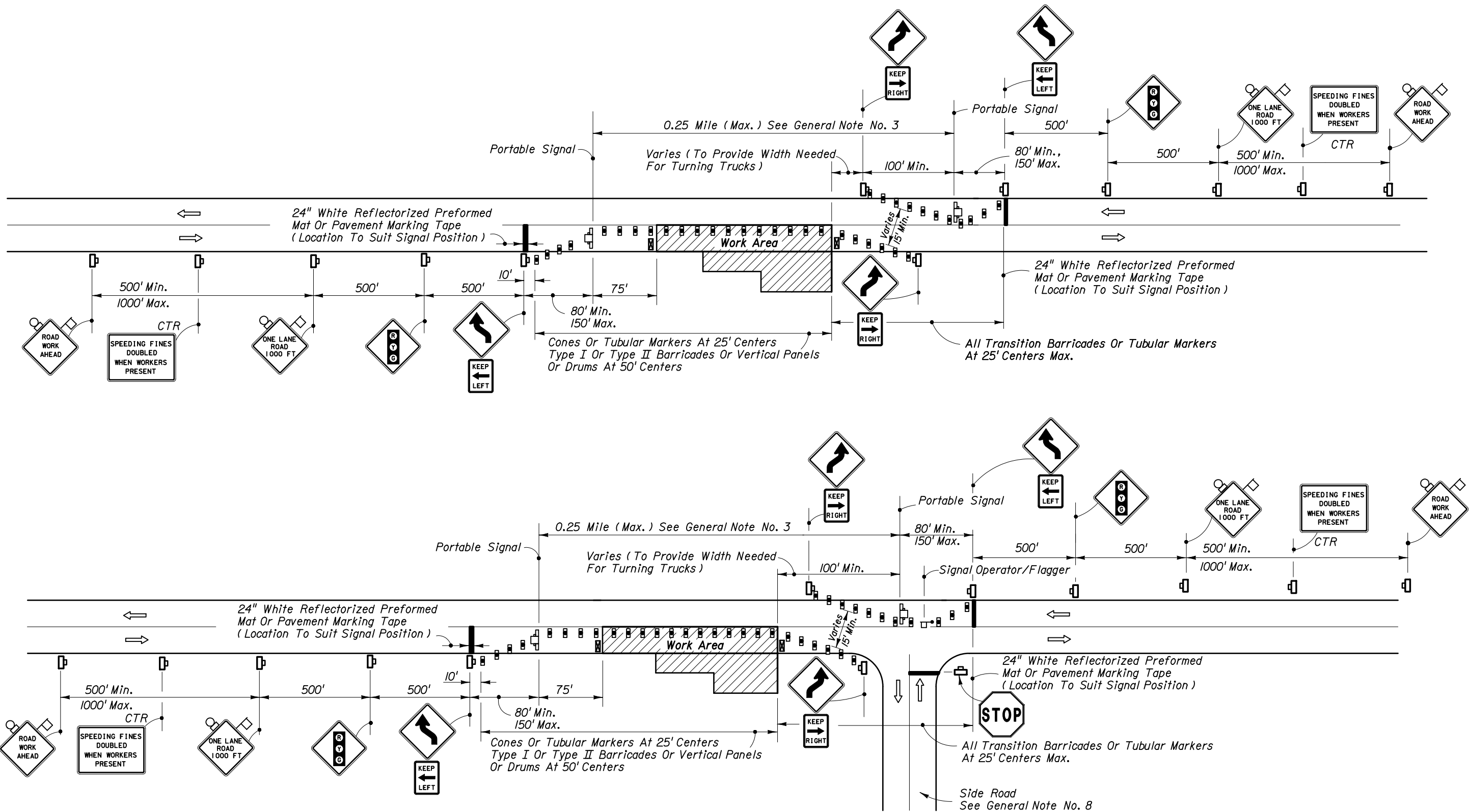
- Work Area
- Sign With 18" x 18" (Min.) Orange Flag And Type B Light
- Work Zone Sign
- Traffic Signal
- Type I Or Type II Barricade Or Vertical Panel Or Drum (With Steady Burning Light At Night Only)
- Type III Barricade
- Stop Bar
- Flagger
- Portable Signal
- Lane Identification + Direction of Traffic



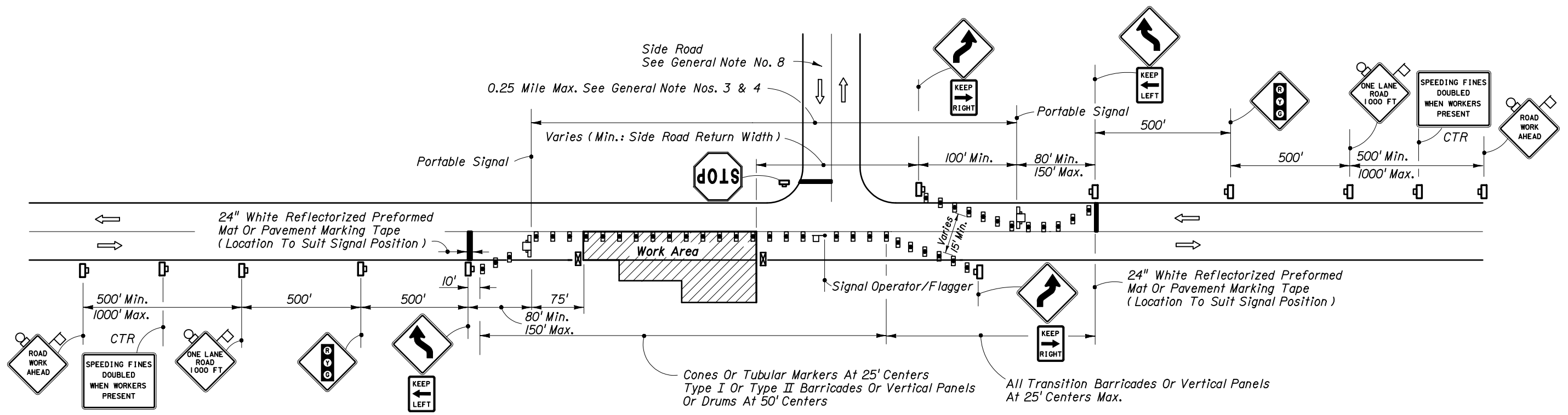
2008 FDOT Design Standards

**TWO-LANE TWO-WAY, WORK WITHIN THE TRAVEL WAY
SIGNAL CONTROL**

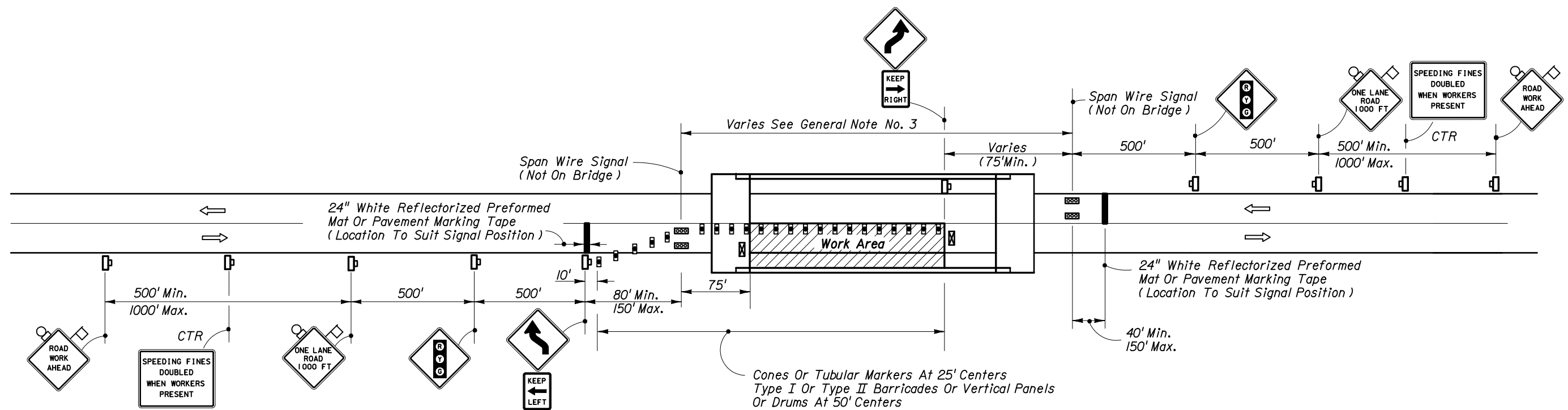
Last Revision	Sheet No.
07/01/07	1 of 4
Index No.	
606	



SINGLE LANE CLOSURE • ROADWAY AND BRIDGES ALL LENGTHS

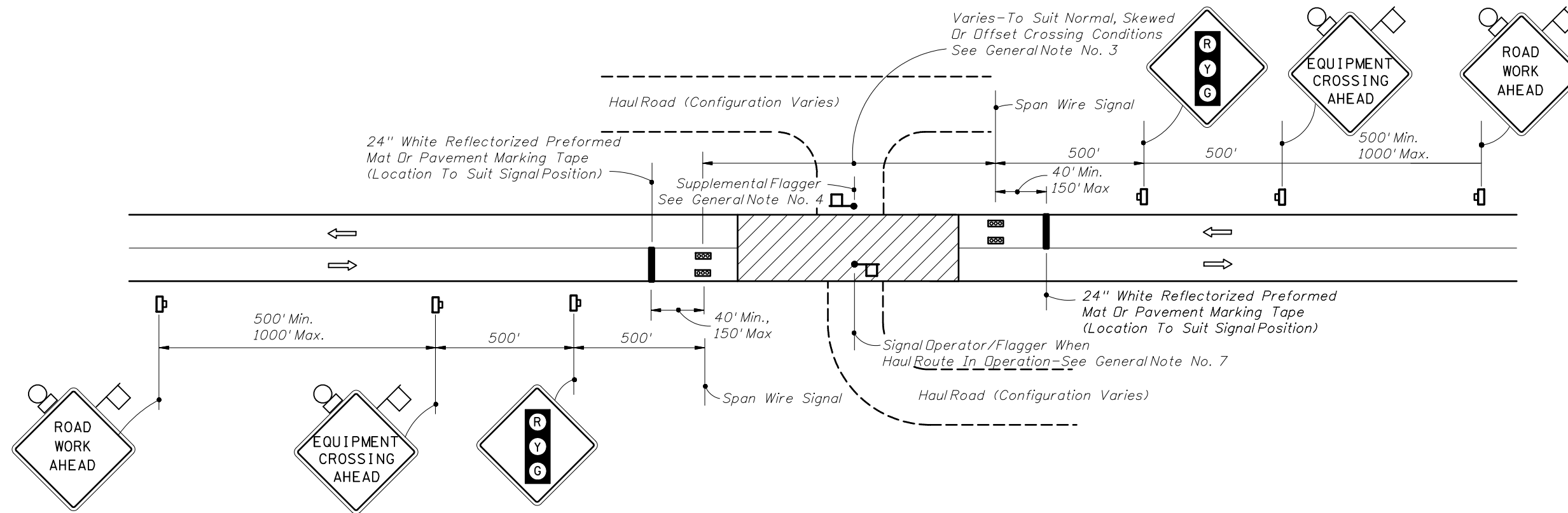


SINGLE LANE CLOSURE • ROADWAY AND BRIDGES ALL LENGTHS



SINGLE LANE CLOSURE • SHORT BRIDGES





MOMENTARY ROADWAY CLOSURE • HAUL ROUTE CROSSING



2008 FDOT Design Standards

**TWO-LANE TWO-WAY, WORK WITHIN THE TRAVEL WAY
SIGNAL CONTROL**

Last Revision	Sheet No.
07/01/05	4 of 4
Index No.	
606	