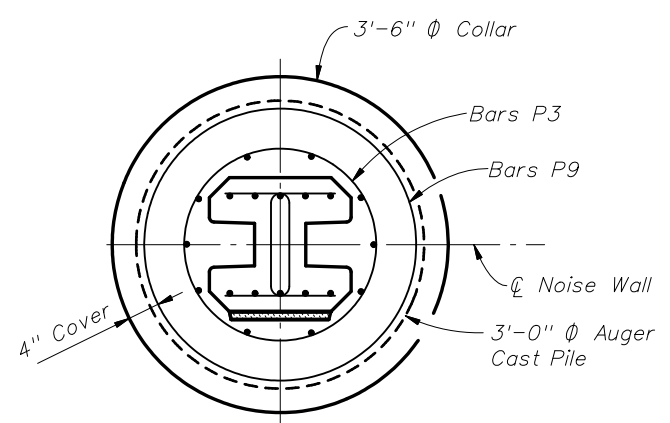
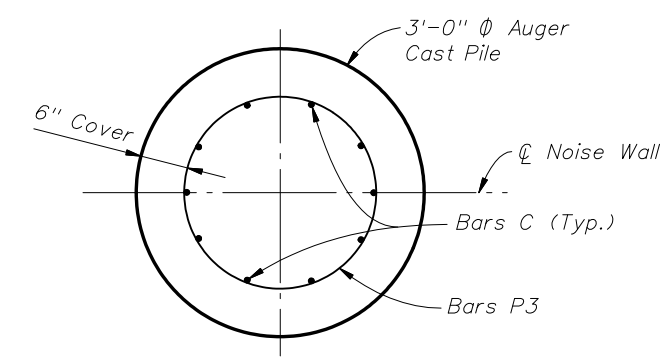


POST IN AUGERED HOLE  
(Cast-In-Place Collar Shown, Precast Collar Similar)

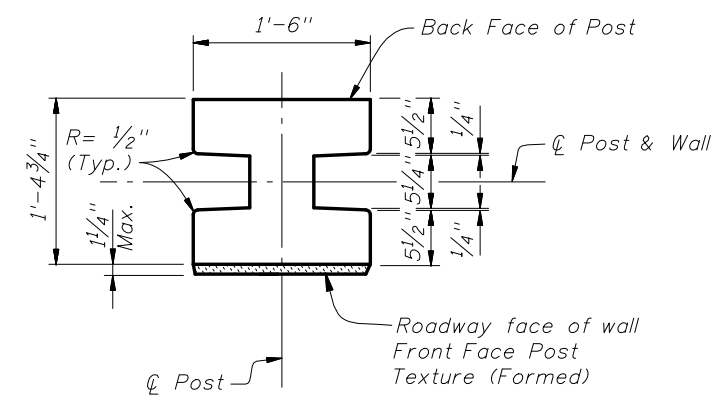


SECTION B-B

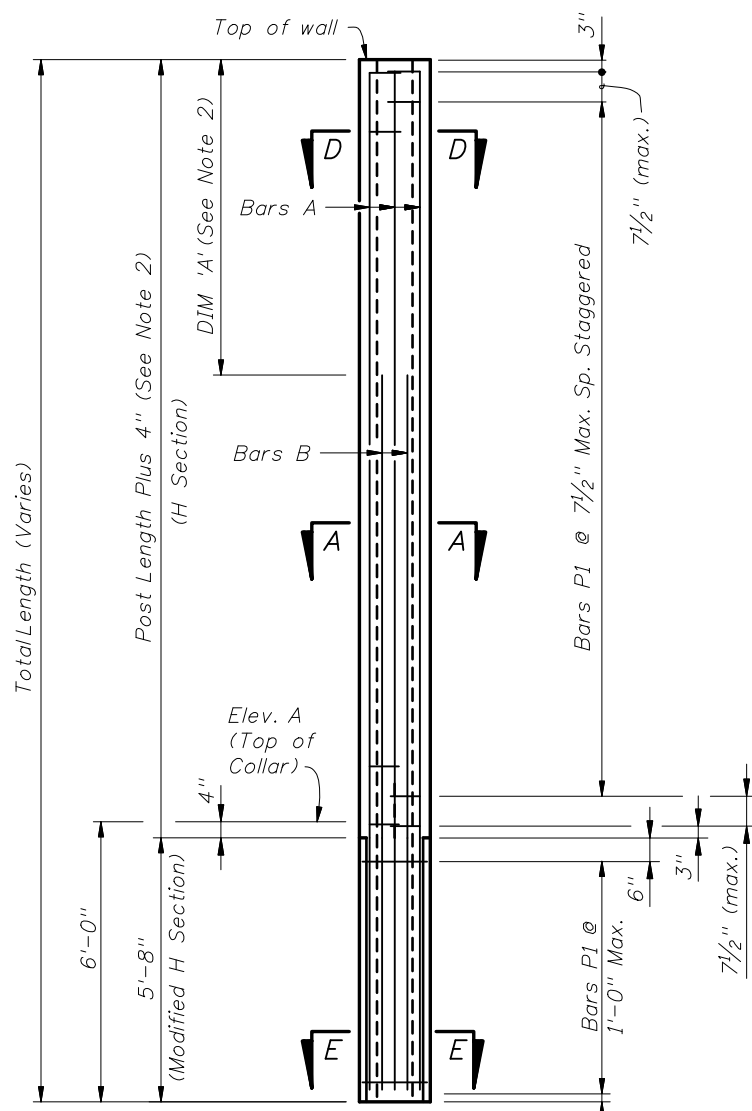


SECTION C-C

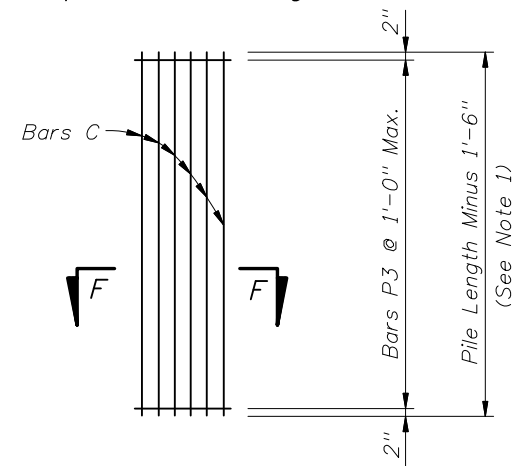
- NOTES:
1. For Post and Pile Lengths, see Index No. 5206.
  2. For Table of Reinforcing Steel Sizes and DIM 'A', see Index No. 5206.
  3. For Precast Collar Option, see Sheet No. 2 of 7.



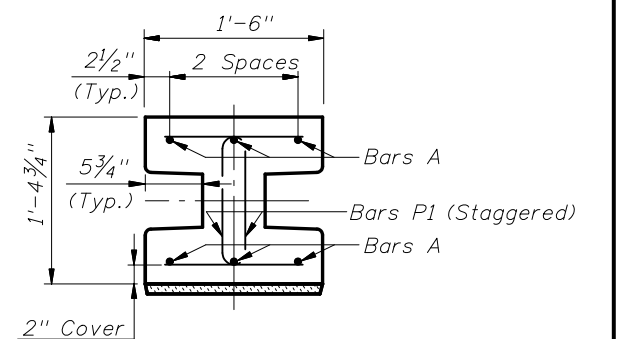
TYPICAL POST SECTION  
(H Section)



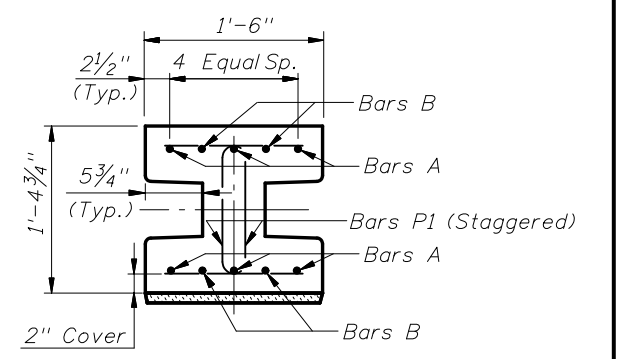
POST DETAIL WITH C-I-P COLLAR  
(Prior to placement in augered hole)



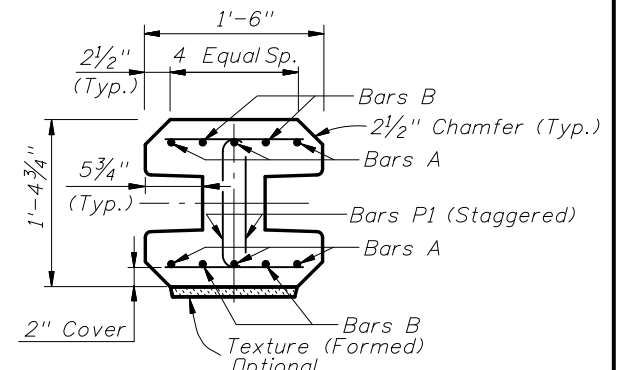
AUGERED PILE REINFORCEMENT DETAIL



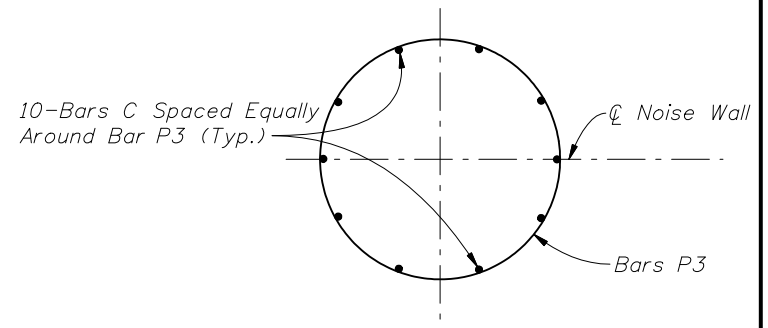
SECTION D-D  
(H Section)



SECTION A-A  
(H Section)

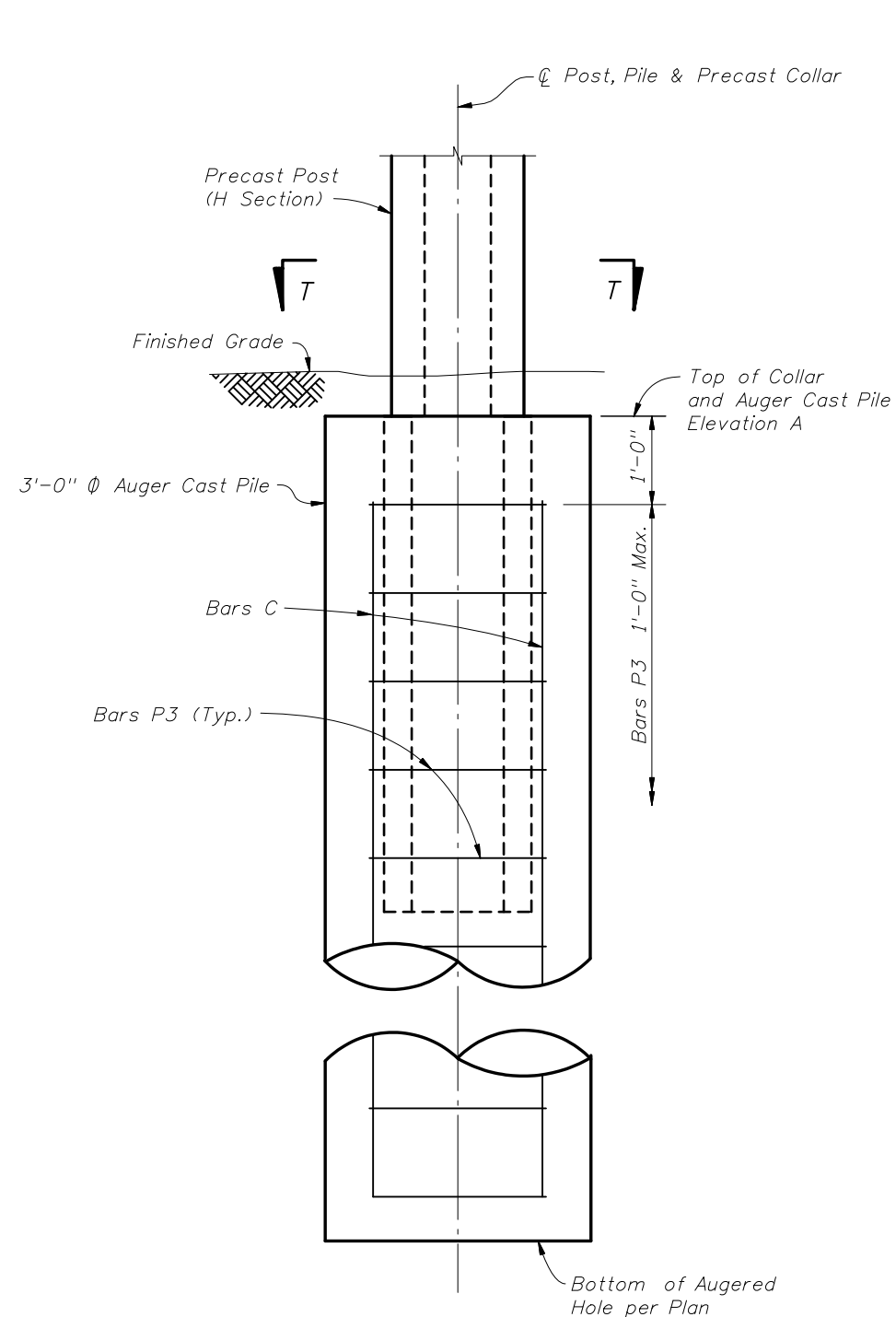


SECTION E-E  
(Modified H Section)

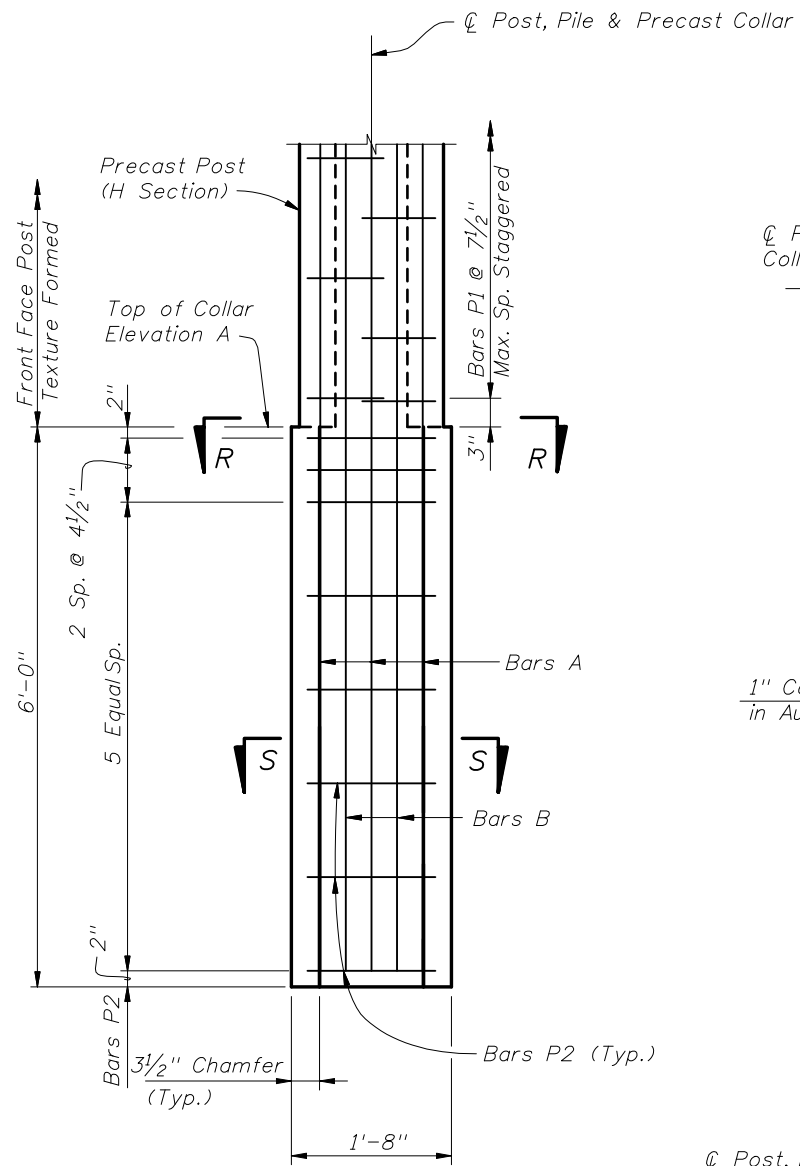


SECTION F-F

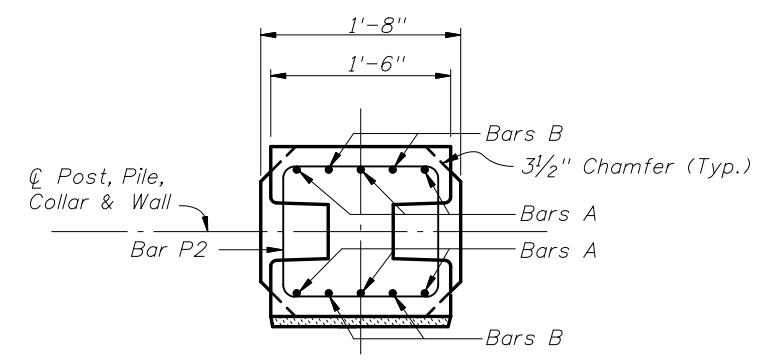
PILE/POST CONNECTION OPTION A



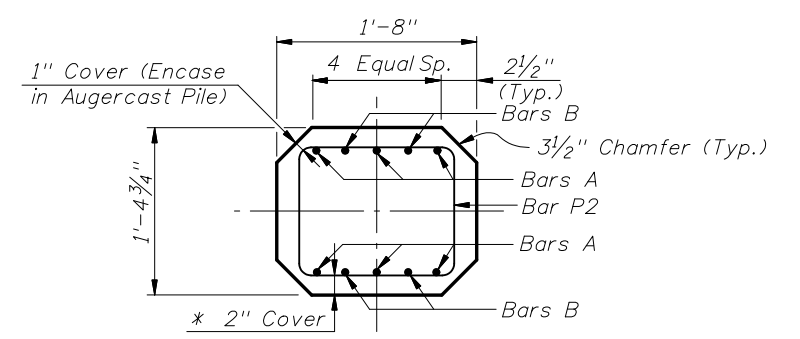
PRECAST COLLAR IN AUGER CAST PILE



PRECAST COLLAR DETAIL

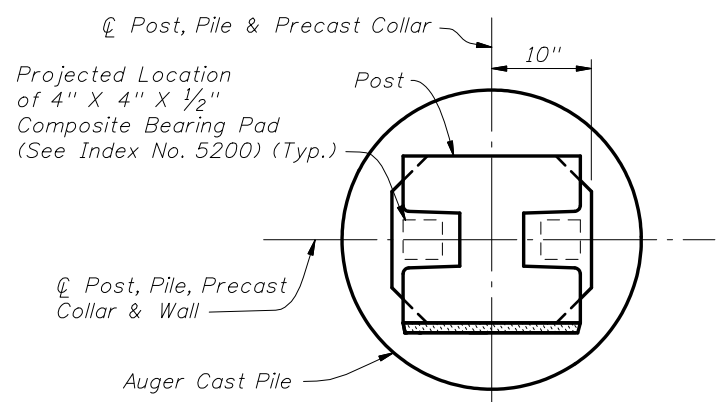


SECTION R-R



SECTION S-S

\* - Unless Otherwise Noted.

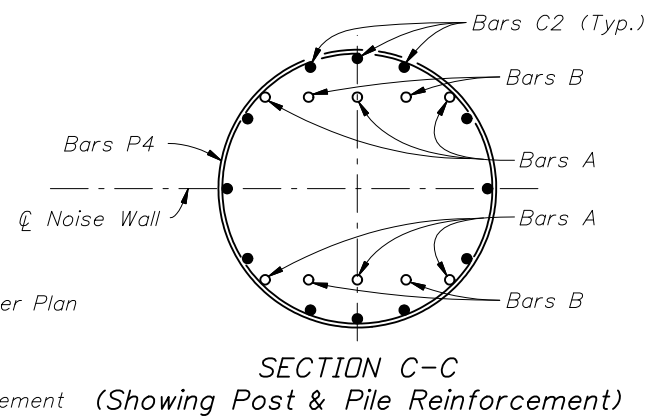
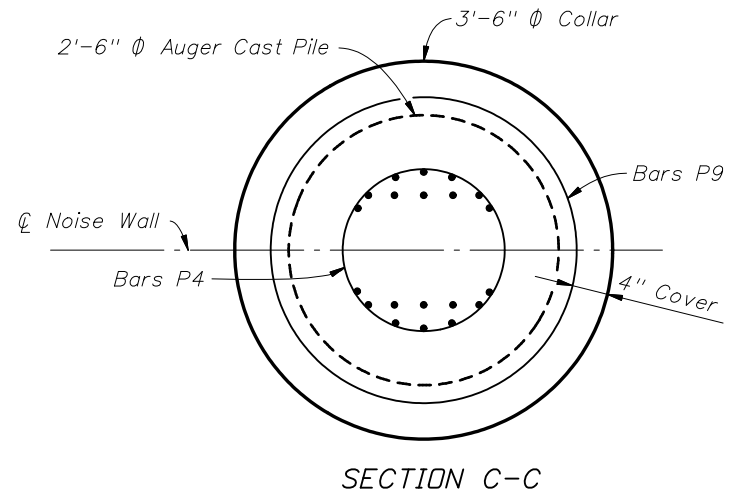


SECTION T-T

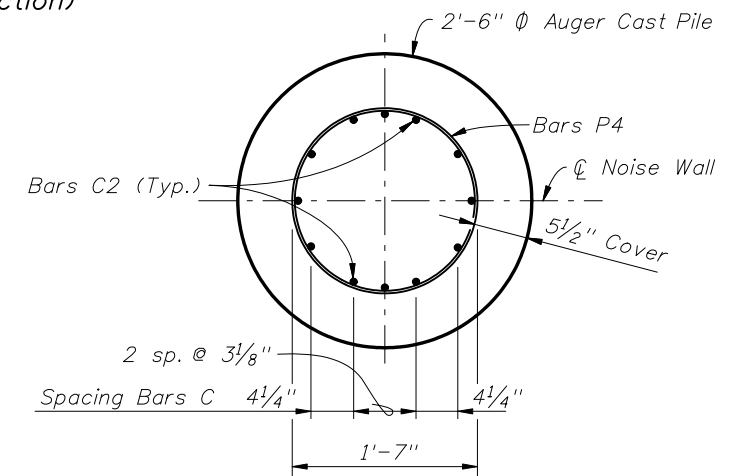
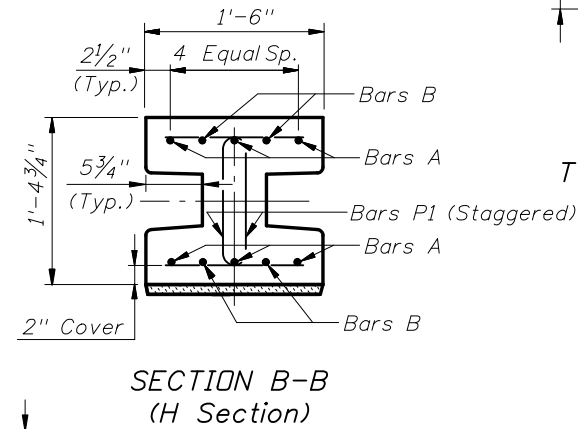
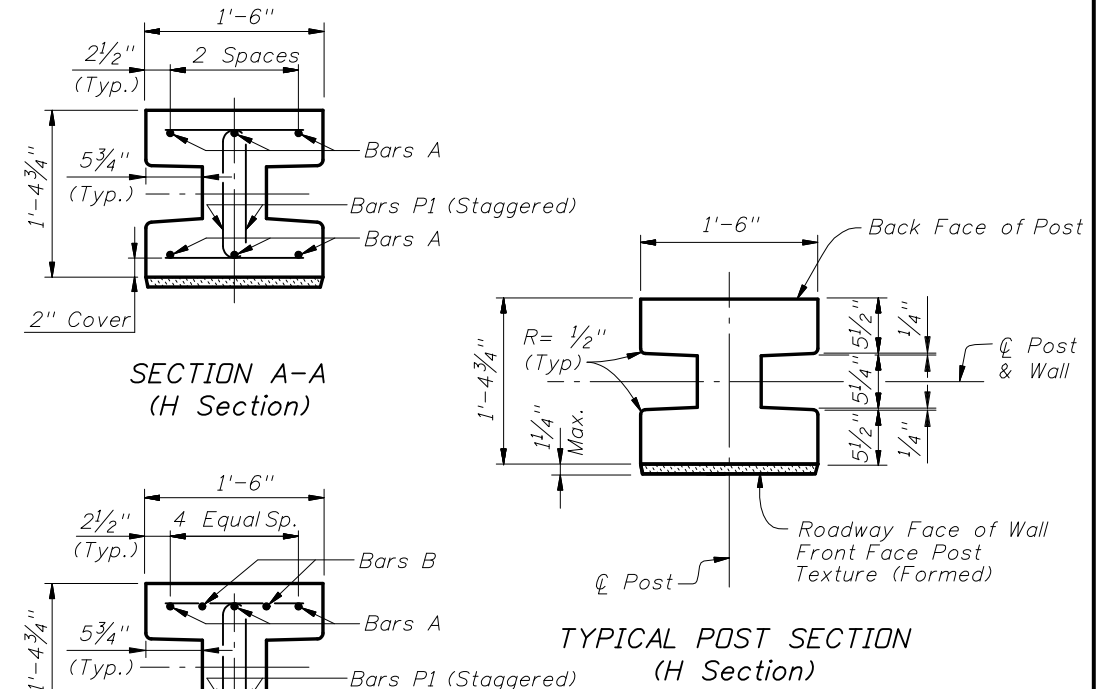
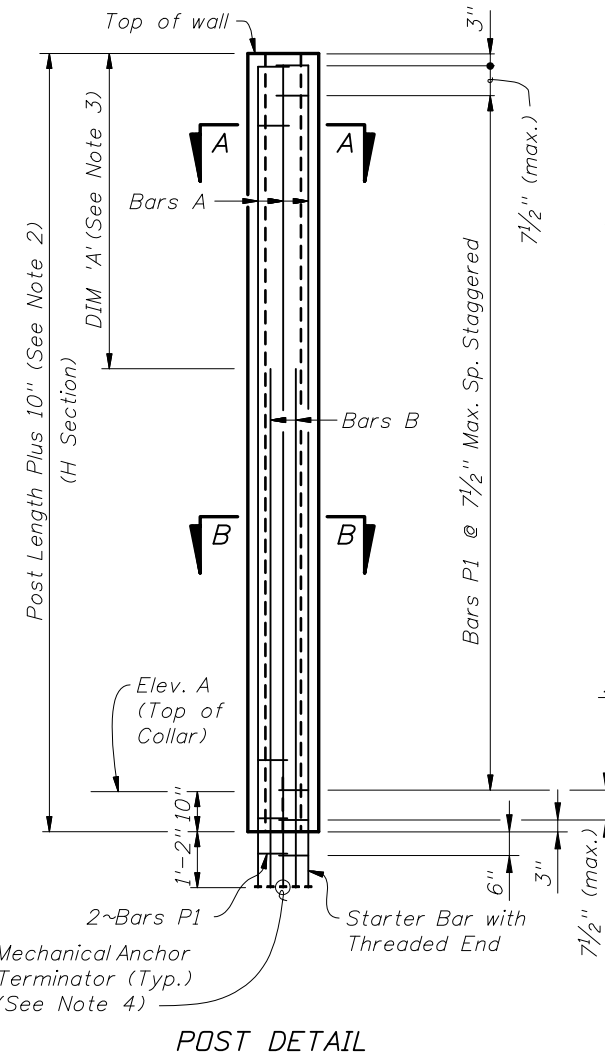
- NOTES:
1. For Post and Pile Lengths, see Index No. 5206.
  2. For Reinforcing Steel Sizes, see Index No. 5206.
  3. For Pile/Post Connection Option A, see Sheet No. 1 of 7.

PRECAST COLLAR FOR PILE/POST CONNECTION OPTION A

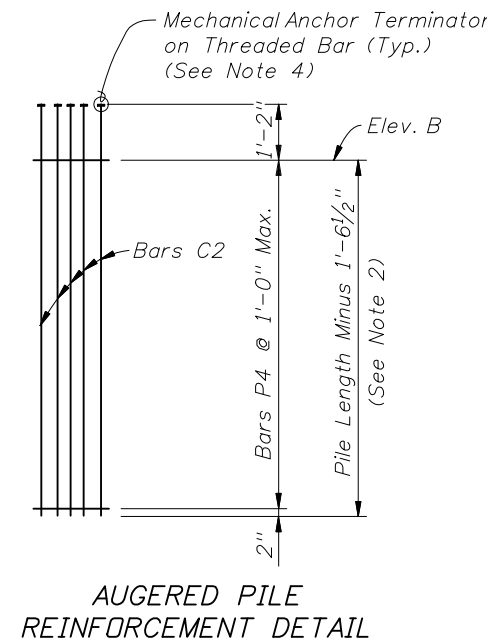
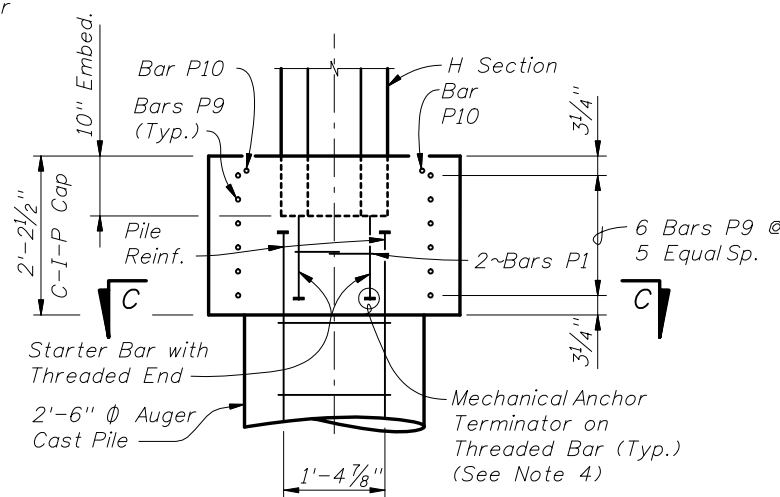
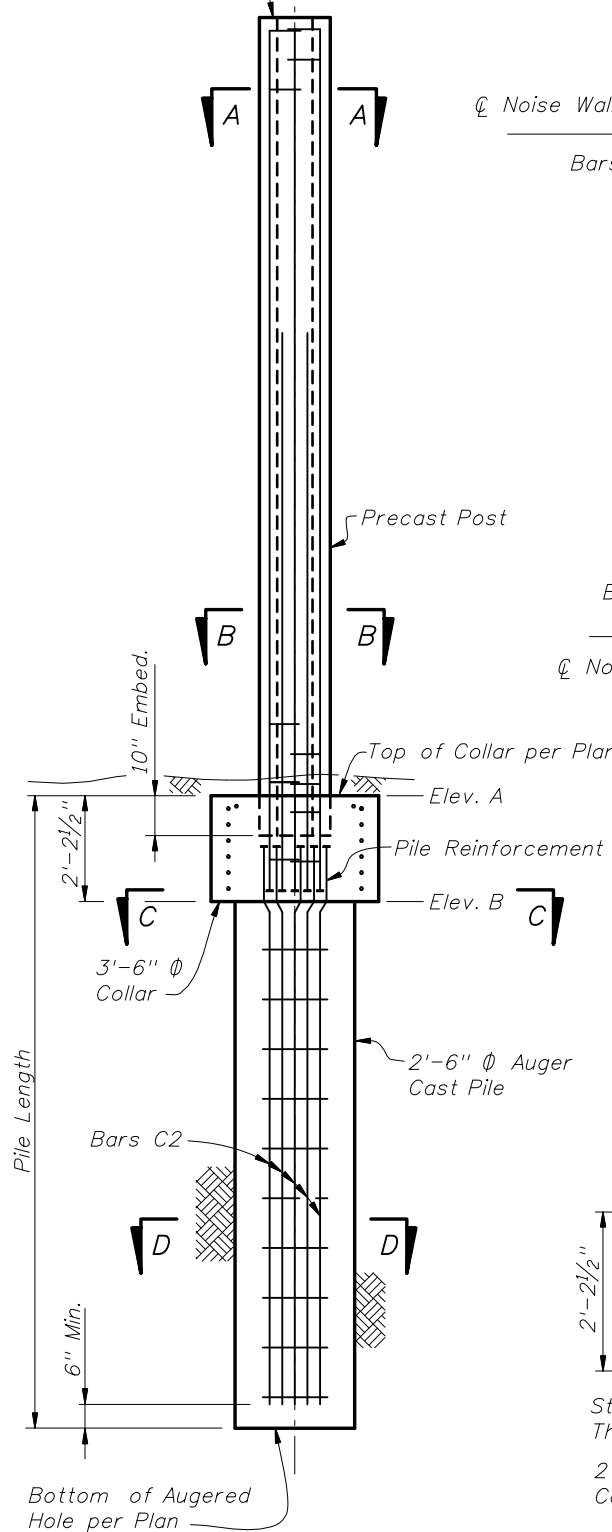
☉ Post, 3'-6" Ø Collar and  
2'-6" Ø Auger Cast Pile  
Top of wall per Plan



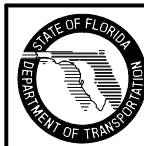
Legend:  
○ Post Bars A or Bars B  
● Pile Bars C2



- NOTES:
1. A precast collar shall not be permitted with this Pile/Post Connection Option.
  2. For Post and Pile Lengths, see Index No. 5206.
  3. For Table of Reinforcing Steel Sizes and DIM 'A', see Index No. 5206.
  4. Mechanical Anchor Terminators shall develop 125% of the specified yield strength of the bar.



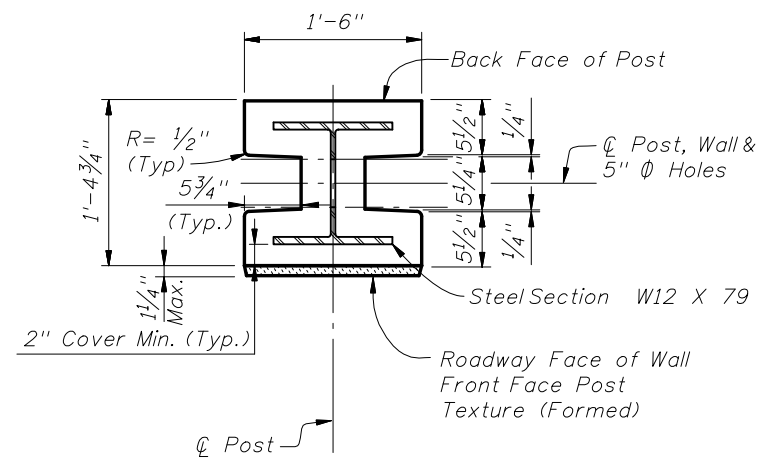
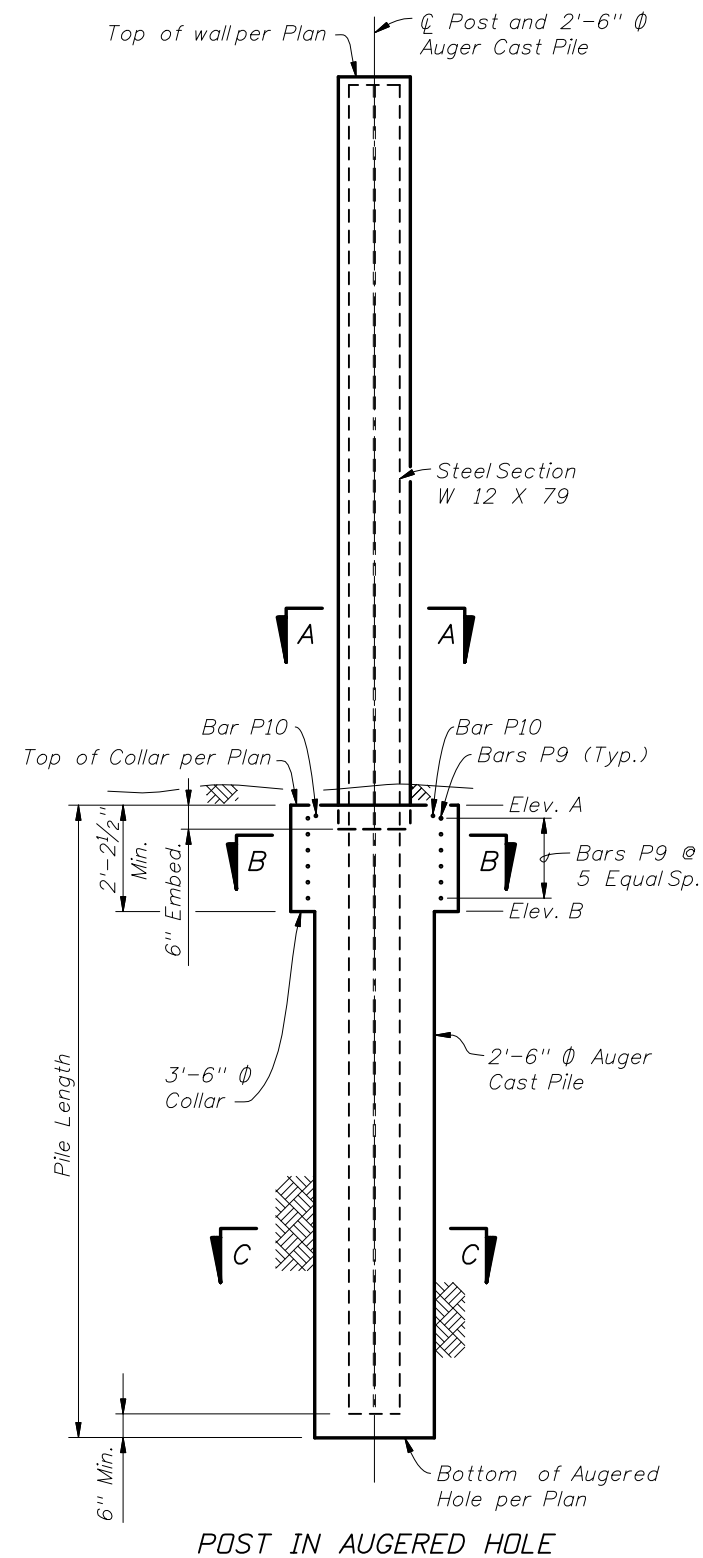
PILE/POST CONNECTION OPTION B



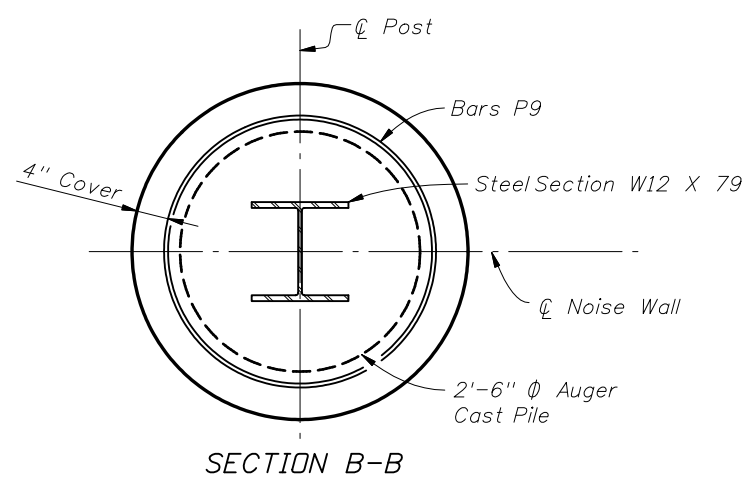
2008 FDOT Design Standards

PRECAST SOUND BARRIERS -  
PILE AND POST REINFORCING STEEL

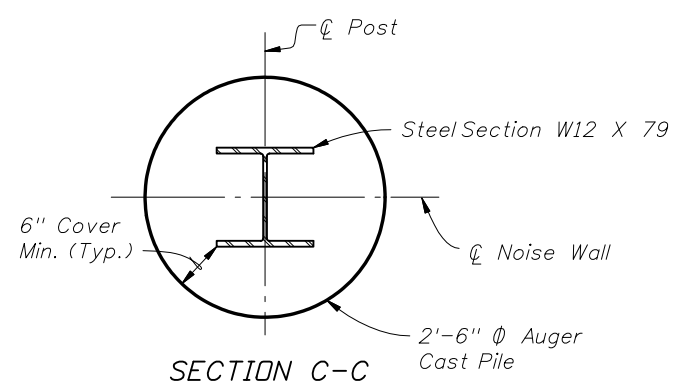
Last Revision	Sheet No.
07/01/05	3 of 7
Index No.	
5205	



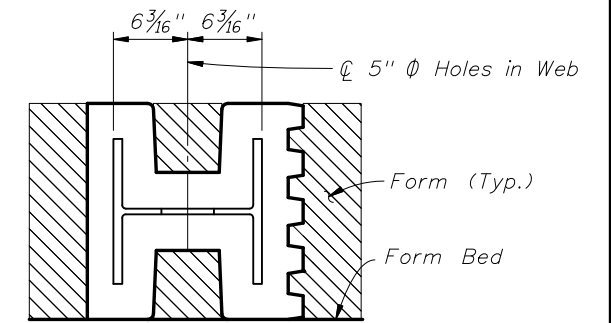
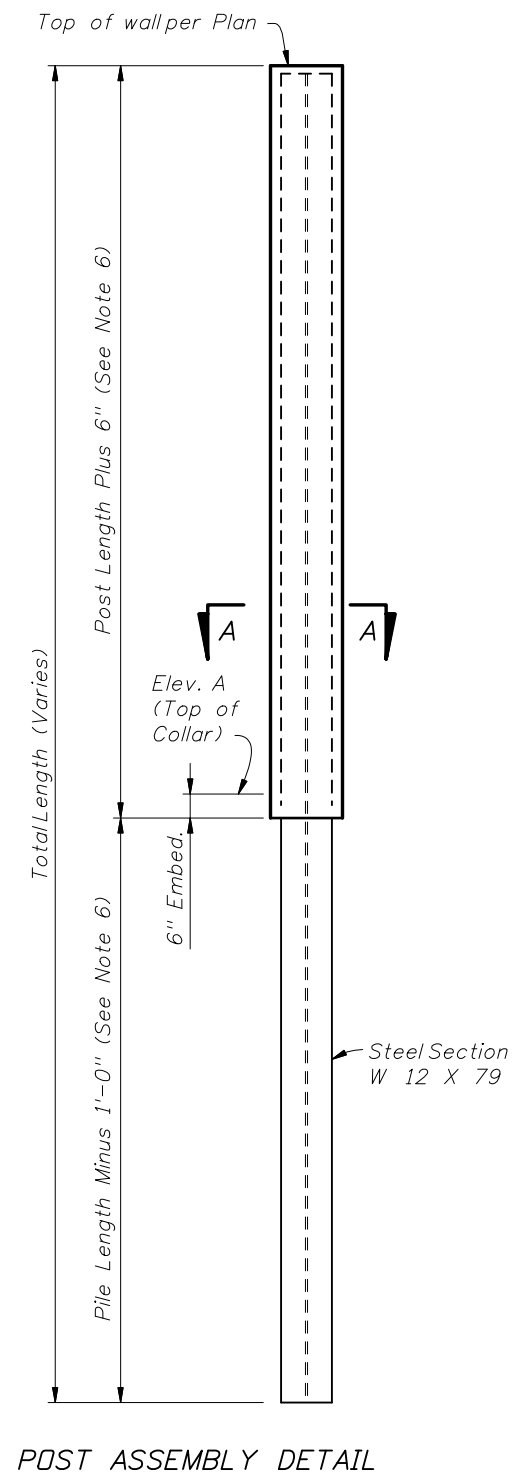
SECTION A-A (Post Assembly)



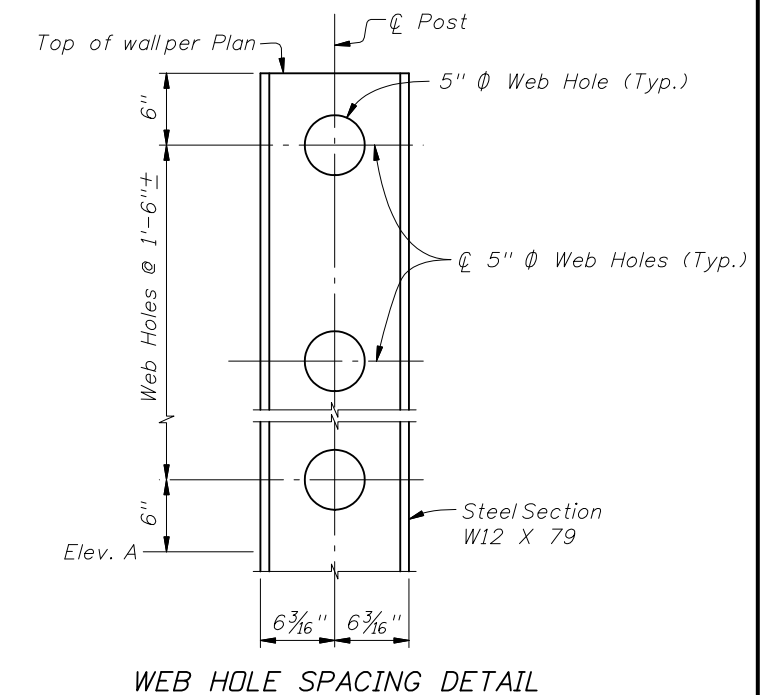
SECTION B-B



SECTION C-C



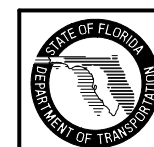
HORIZONTAL CASTING ORIENTATION (Front Face Post Texture Type "H" Shown)



WEB HOLE SPACING DETAIL

- NOTES:
1. The W12 X 79 load carrying member is coated with concrete for durability, aesthetic reasons and to make the connection to the panels.
  2. The steel and concrete post assembly is not a reinforced concrete design.
  3. The steel and concrete post assembly shall be cast vertical or cast horizontal according to the casting orientation shown above.
  4. All Structural Steel shall be in accordance with ASTM A 36.
  5. A precast collar shall not be permitted with this Pile/Post Connection Option.
  6. For Post and Pile Lengths, see Index No. 5206.

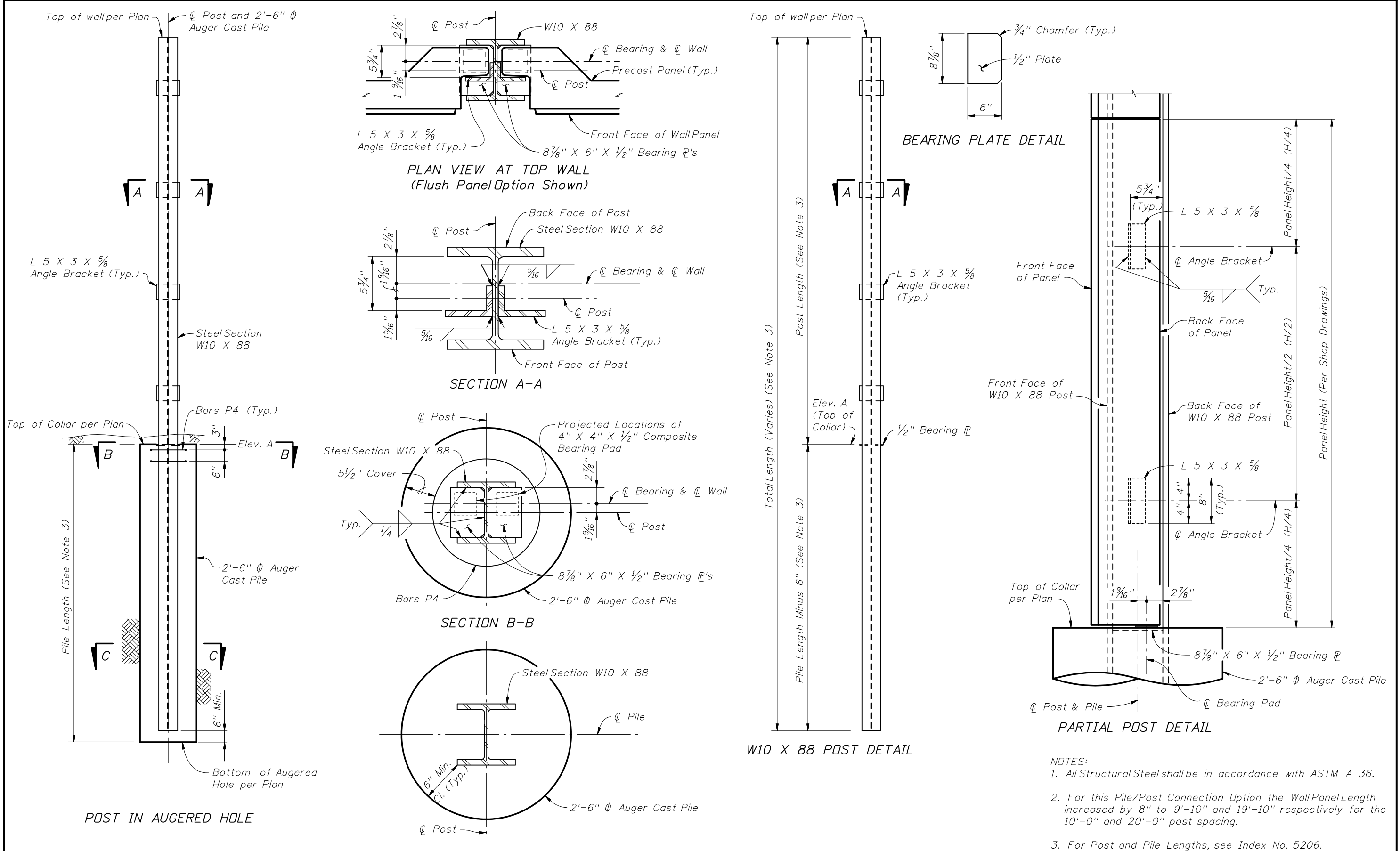
PILE/POST CONNECTION OPTION C



2008 FDOT Design Standards

PRECAST SOUND BARRIERS -  
PILE AND POST REINFORCING STEEL

Last Revision	Sheet No.
07/01/05	4 of 7
Index No.	
5205	



- NOTES:**
1. All Structural Steel shall be in accordance with ASTM A 36.
  2. For this Pile/Post Connection Option the Wall Panel Length increased by 8" to 9'-10" and 19'-10" respectively for the 10'-0" and 20'-0" post spacing.
  3. For Post and Pile Lengths, see Index No. 5206.

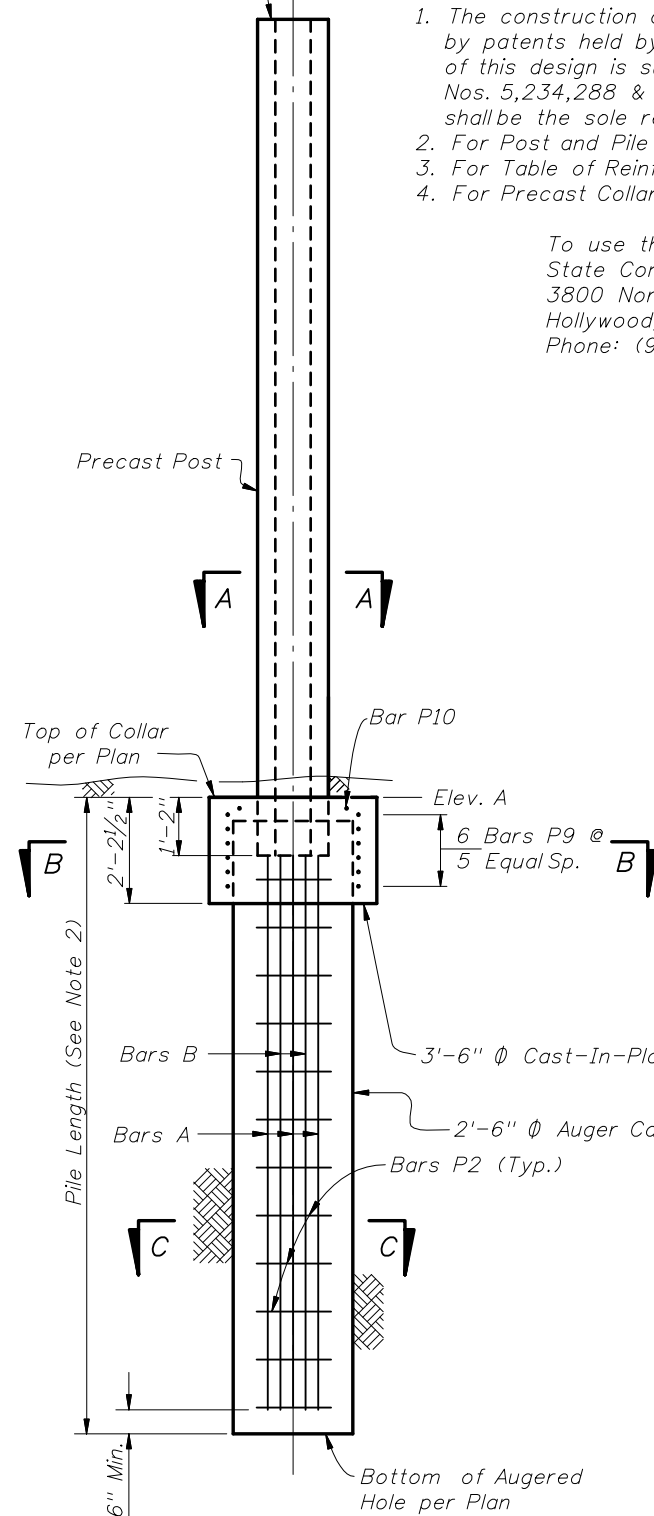
**PILE/POST CONNECTION OPTION D**

☉ Post, 3'-6" Ø Collar and  
2'-6" Ø Auger Cast Pile  
Top of wall per Plan

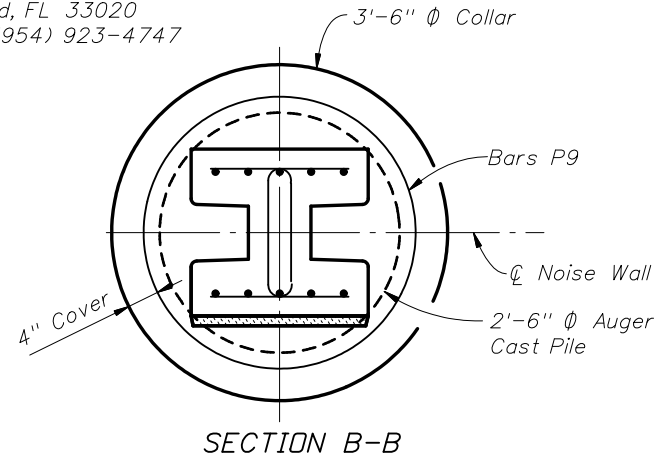
**NOTES:**

1. The construction of this option utilizes a patented process covered by patents held by State Contracting and Engineering Inc. Any use of this design is subject to the rights of the patent holder (U.S. Patent Nos. 5,234,288 & 5,429,455) and all patent royalties or license fees shall be the sole responsibility of the user.
2. For Post and Pile Lengths, see Index No. 5206.
3. For Table of Reinforcing Steel Sizes and DIM 'A', see Index No. 5206.
4. For Precast Collar Option, see Sheet No. 7 of 7.

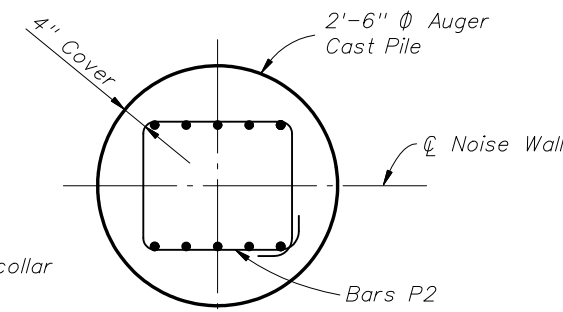
To use this design contact:  
State Contracting and Engineering, Corp.  
3800 North 29th Avenue  
Hollywood, FL 33020  
Phone: (954) 923-4747



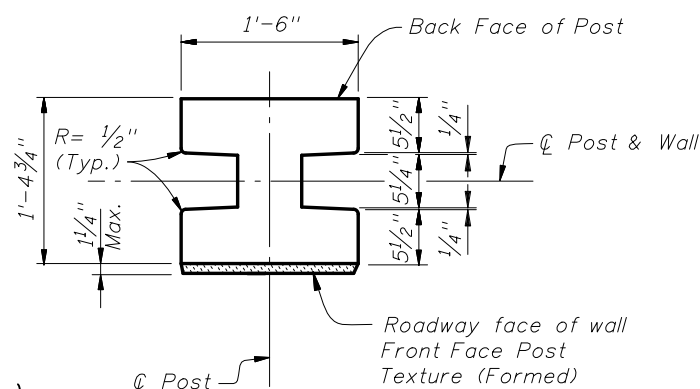
**POST IN AUGERED HOLE**  
(Cast-In-Place Collar Shown, Precast Collar Similar)



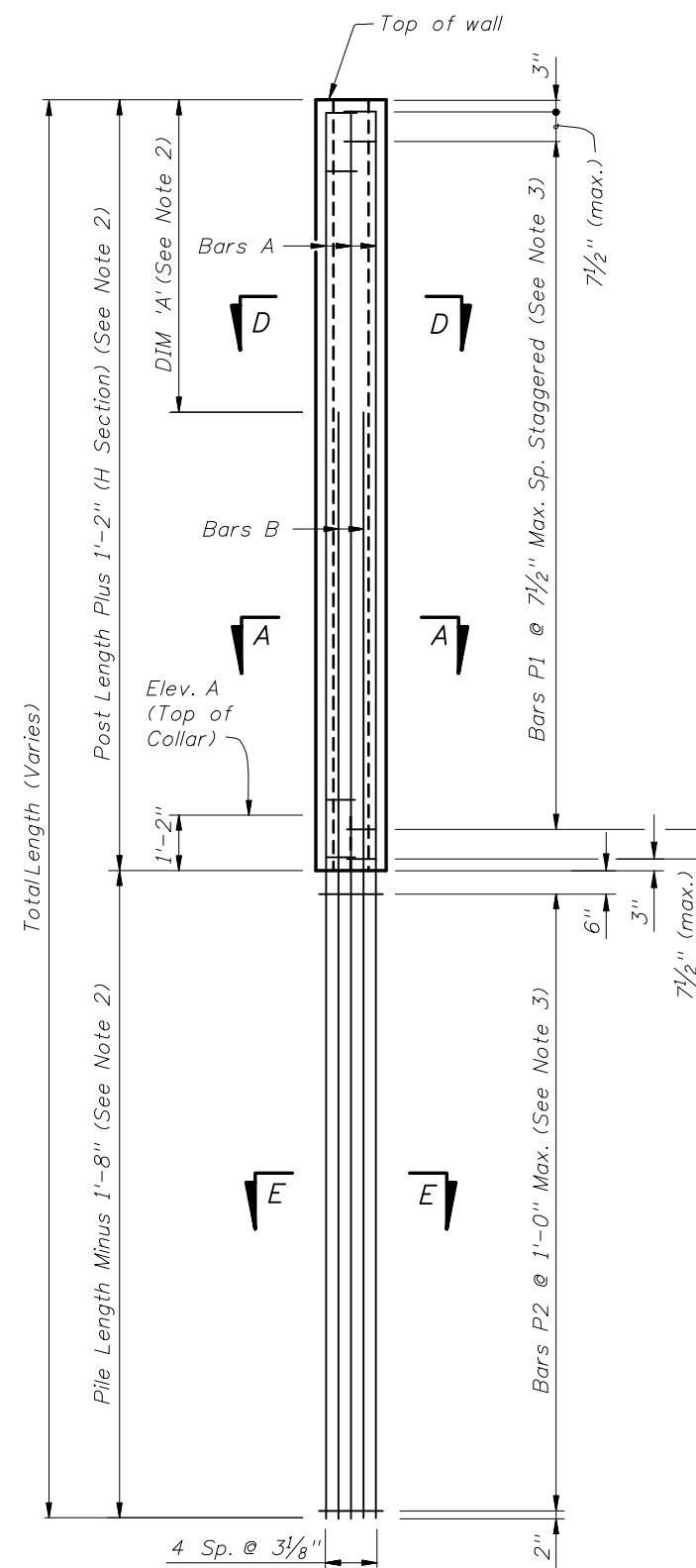
**SECTION B-B**



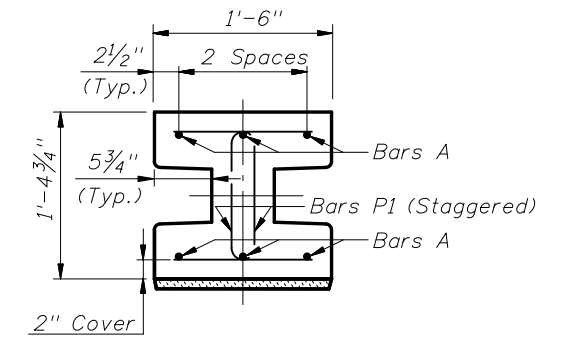
**SECTION C-C**



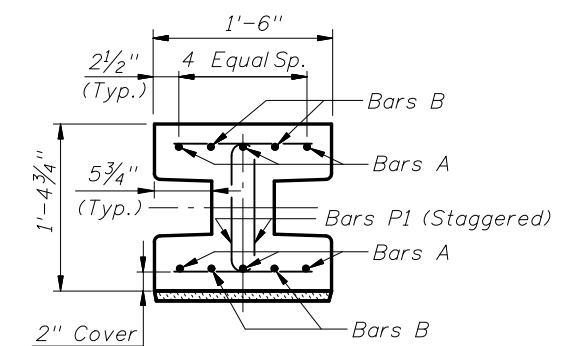
**TYPICAL POST SECTION**  
(H Section)



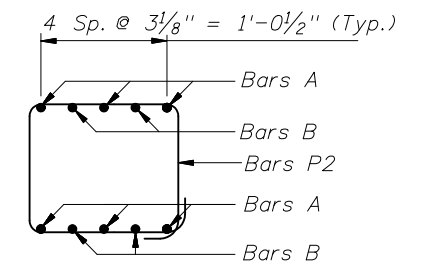
**GROUND MOUNTED POST REINFORCEMENT**  
(Prior to placement in augered hole)



**SECTION D-D**  
(H Section)



**SECTION A-A**  
(H Section)

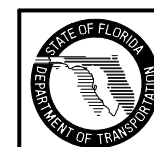


**SECTION E-E**

**KEITH & SCHNARS, P.A.**  
ENGINEERS - PLANNERS - SURVEYORS  
6500 NORTH ANDREWS AVENUE  
FORT LAUDERDALE, FL 33309-2132  
CERTIFICATE OF AUTHORIZATION NO. 1337



**STATE CONTRACTING & ENGINEERING CORP.**  
PILE/POST CONNECTION OPTION E

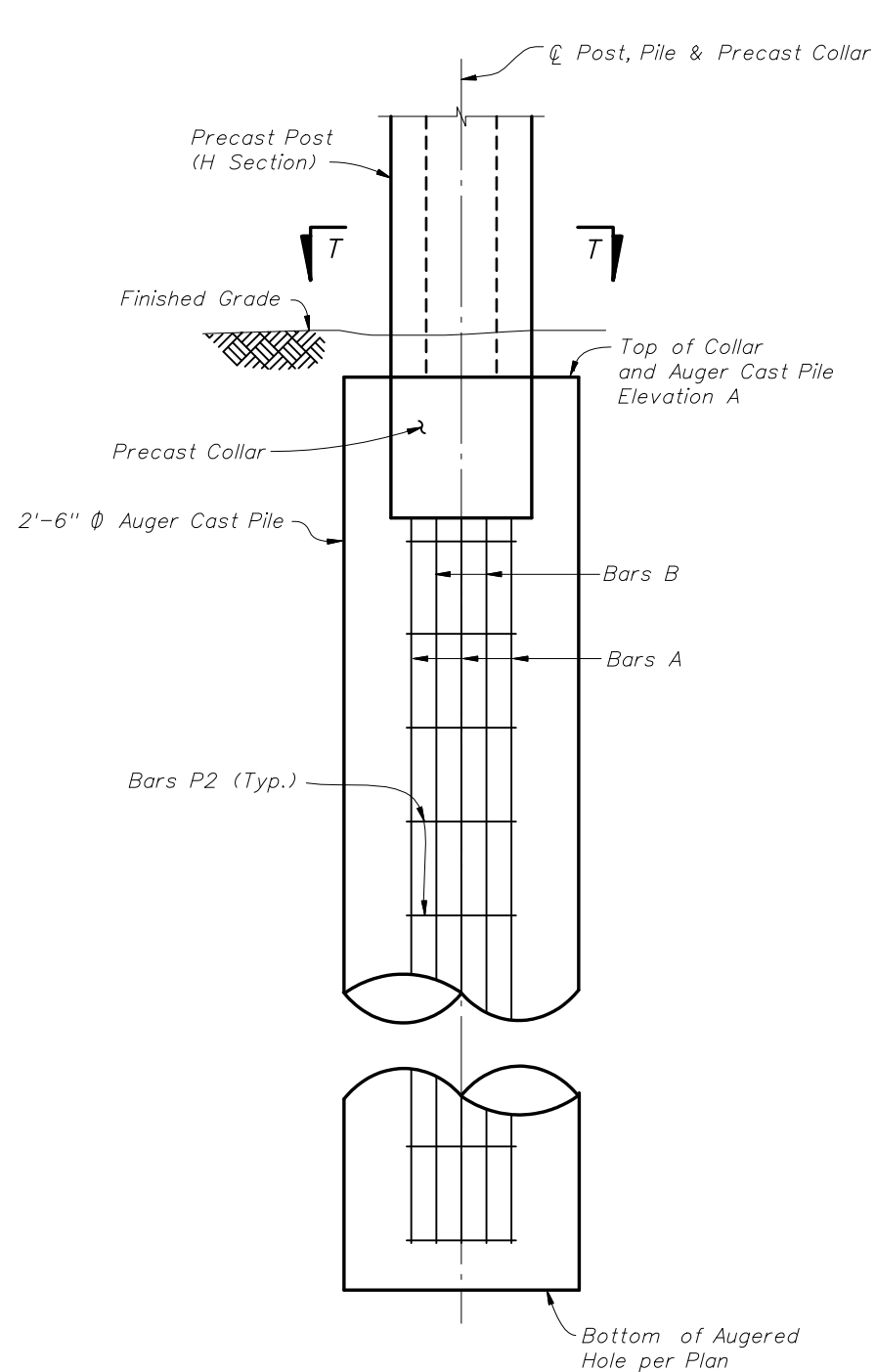


2008 FDOT Design Standards

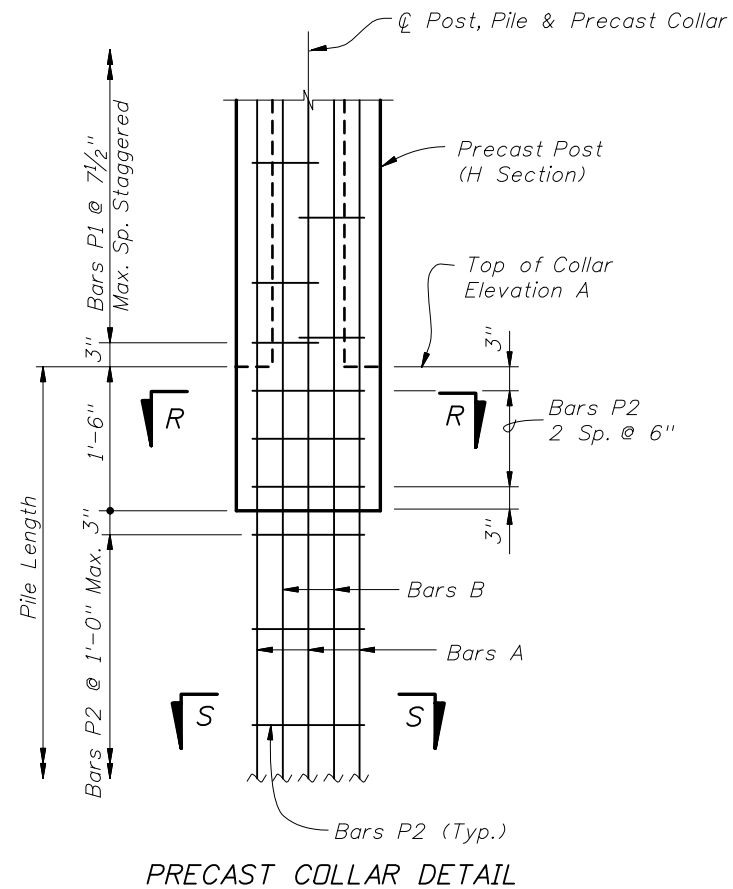
**PRECAST SOUND BARRIERS -  
PILE AND POST REINFORCING STEEL**

Last Revision: 01/01/06  
Sheet No. 6 of 7

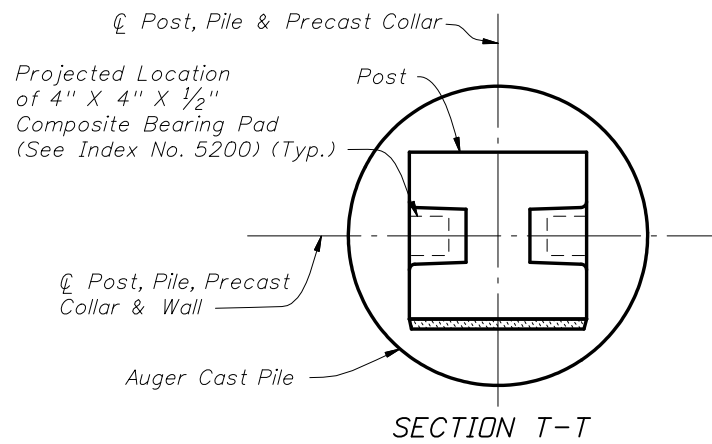
Index No. **5205**



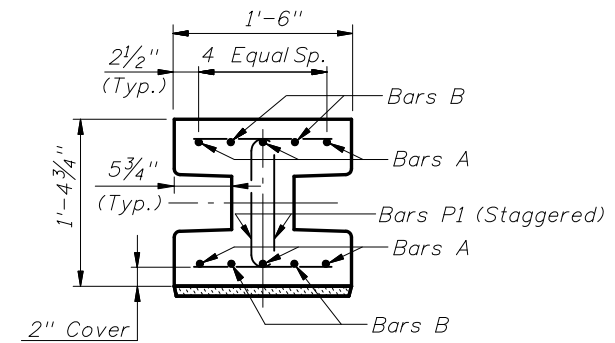
PRECAST COLLAR IN AUGER CAST PILE



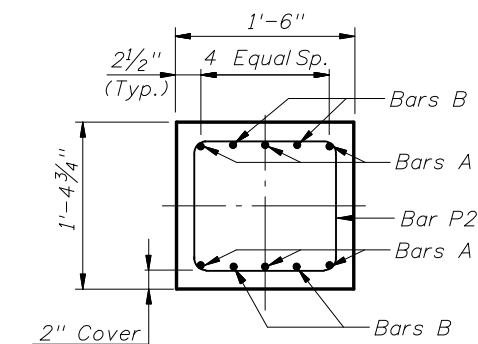
PRECAST COLLAR DETAIL



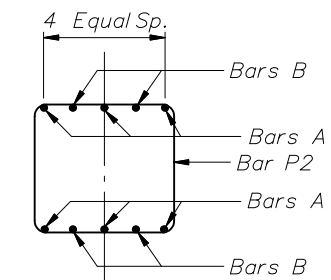
SECTION T-T



SECTION T-T  
(H Section)



SECTION R-R  
(Rectangular Section)



SECTION S-S

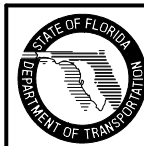
NOTES:

1. For Post and Pile Lengths, see Index No. 5206.
2. For Reinforcing Steel Sizes, see Index No. 5206.
3. For Pile/Post Connection Option E, see Sheet No. 6 of 7.

**KEITH and SCHNARS, P.A.**  
ENGINEERS • PLANNERS • SURVEYORS  
5500 NORTH ANDREWS AVENUE  
FORT LAUDERDALE, FL 33309-2132  
CERTIFICATE OF AUTHORIZATION NO. 1337

**State Contracting & Engineering Corp.**

STATE CONTRACTING & ENGINEERING CORP.  
PRECAST COLLAR FOR PILE/POST CONNECTION OPTION E



2008 FDOT Design Standards

**PRECAST SOUND BARRIERS -  
PILE AND POST REINFORCING STEEL**

Last Revision: 07/01/05  
Sheet No. 7 of 7

Index No. **5205**