

REFLECTIVE RAILING MARKER SPACING	
Distance - Edge of Travel Lane to Face of Railing	Spacing (Ft.)
< 4'	40'
4' to 8'	80'
> than 8'	None Required

ELEVATION OF INSIDE FACE OF RAILING
 (Reinforcing Steel not shown for clarity)
 (Railing on Bridge Deck and Approach Slab shown, Railing on Retaining Wall similar)

CROSS REFERENCE:
 For Section A-A, View B-B and Detail "A", see Sheet 2.
 For Detail "B", see Sheet 3.

TRAFFIC RAILING NOTES

This railing has been structurally evaluated to be equivalent or greater in strength to other safety shape railings which have been crash tested to NCHRP Report 350 TL-4 Criteria.

CONCRETE AND REINFORCING STEEL : See Structures Plans General Notes.

MARKERS : Elevation Markers shall be placed on top of the Traffic Railing at the end bents. On bridges longer than 100 ft. one marker shall be placed at each end of the bridge. On bridges 100 ft. or less one marker shall be placed at one end of the bridge only. Markers are to be furnished by the Florida Department of Transportation and installed by the Contractor. The cost of installing the markers shall be included in the Contract Unit Price for the Traffic Railing.

GUARDRAIL : For Guardrail connection details see Index Nos. 400 and 410.

SUPERELEVATED BRIDGES : At the option of the Contractor the Traffic Railing on superelevated bridges may be constructed perpendicular to the roadway surface. If an adjoining railing is constructed plumb, transition the end of the Traffic Railing from perpendicular to plumb over a minimum distance of 20'-0". The cost of all modifications will be at the Contractor's expense.

PEDESTRIAN AND BICYCLE RAILING : See Index Nos. 821 and 822 for Notes, Details and post spacings for Traffic Railings with Aluminum Pedestrian /Bicycle Bullet Railings.

V-GROOVES : Construct 1/2" V-Grooves plumb. Space V-Grooves equally between 3/4" Open Joints and/or Deck Joints and at V-Groove locations on Retaining Wall footings.

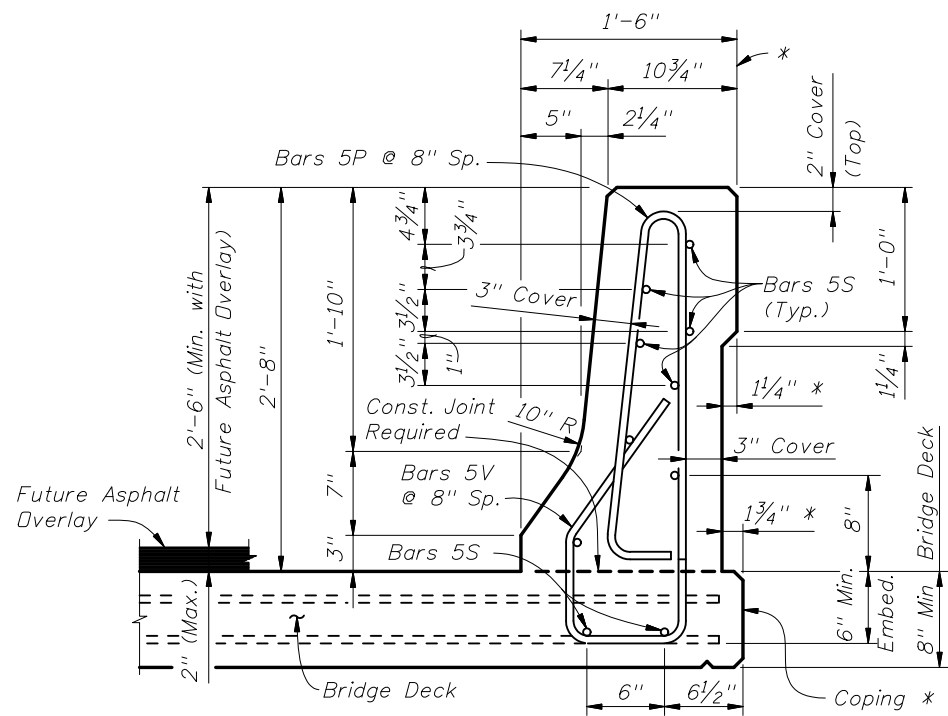
NAME, DATE AND BRIDGE NUMBER : The Name and Bridge Number shall be placed on the Traffic Railing so as to be seen on the driver's right side when approaching the bridge. The Date shall be placed on the driver's left side when approaching the bridge. The Date shall be the year the bridge is completed. For a widening when the existing railing is removed, use both the existing date and the year of the widening. Black plastic letters and figures 3" in height may be used, as approved by the Engineer, in lieu of the letters and figures formed by 3/8" V-Grooves. V-Grooves shall be formed by preformed letters and figures.

REFLECTIVE RAILING MARKERS : Reflective Railing Markers shall conform to Section 993 of the Specifications. Install markers 6" below the top of the Traffic Railing at the spacings shown in the table above. Reflector color (white or yellow) shall conform to the color of the near edgeline.

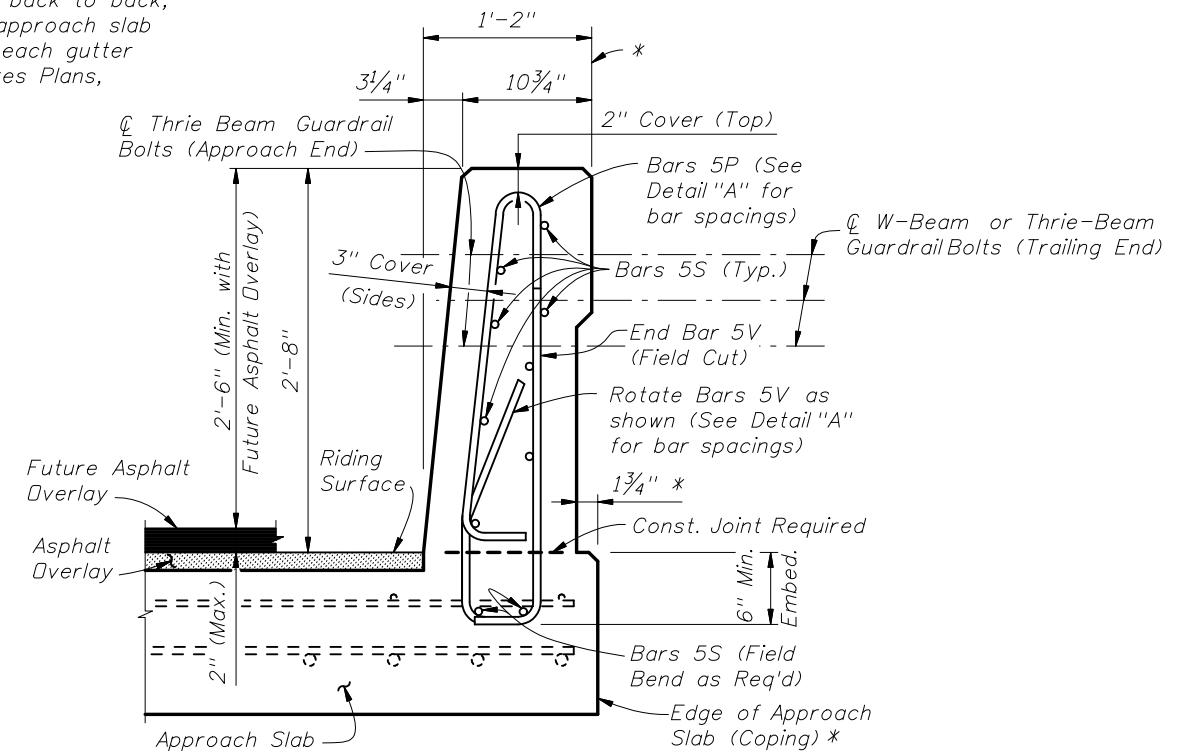
JOINTS : See Plans, Superstructure, Approach Slab and Retaining Walls Sheets for actual dimensions and joint orientation. Open Railing Joints at Deck Expansion Joint locations shall match the dimensions of the Deck Joint. For treatment of Railings on skewed bridges see Index No. 490. Deck Joint at Begin Bridge or End Bridge shown, Deck Joint at ϕ Pier or Intermediate Bent similar. Provide 3/4" Intermediate Open Joints at :

- (1) - Substructure supports where superstructure slab is continuous.
- (2) - Midspan where span length exceeds 90 ft.
- (3) - Intermediate locations (equally spaced) between midspan and substructure supports where span length exceeds 180 ft.
- (4) - At ends of approach slabs when adjacent to retaining walls and at expansion joints on retaining wall junction slabs.

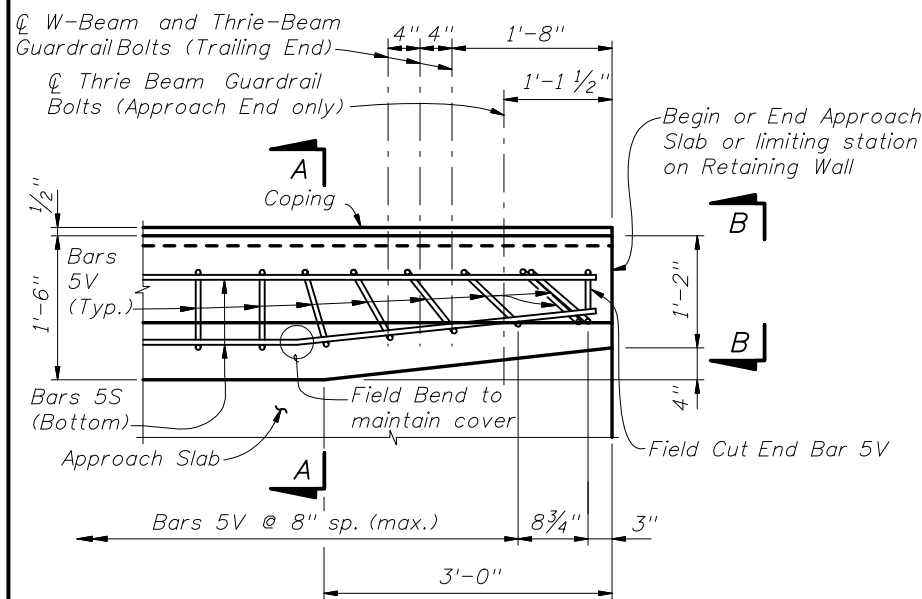
* Where railings of adjacent bridges are to be built back to back, the outside vertical plane of the railing and deck/approach slab may coincide along a plane centered 1'-6" from each gutter line. A bond breaker will be required. See Structures Plans, Superstructure Sheets for Details.



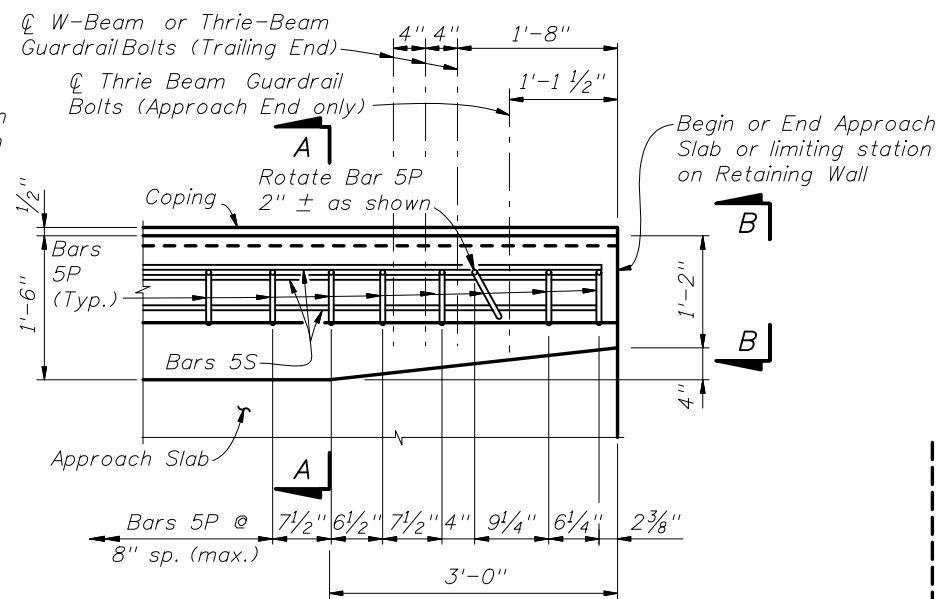
SECTION A-A
TYPICAL SECTION THRU TRAFFIC RAILING
(Section thru Bridge Deck shown, Section thru Approach Slab
and Retaining Walls similar)



VIEW B-B
(Section thru Approach Slab shown,
Section thru Retaining Walls similar)



PLAN - Railing End Transition
(Showing Bars 5V and 5S)



PLAN - Railing End Transition
(Showing Bars 5P and 5S)

NOTES:

Rotate Bars 5V in Railing End Transition to maintain cover. Begin placing Railing Bars 5P and 5V on Approach Slab at the barrier end and proceed toward Begin or End Bridge to ensure placement of guardrail bolt holes. If required, adjustments to the bar spacing for Bars 5P and 5V shall be made immediately adjacent to Begin or End Bridge.

CROSS REFERENCE:

For locations of Section A-A and View B-B see Sheet 1.

INSTRUCTIONS TO DESIGNER:

For Bridge Decks up to a maximum thickness of 9", the two Bars 5S placed in the Bridge Deck may substitute for the longitudinal deck steel located within the limits of Bars 5V, provided that the total area of longitudinal deck steel beneath the railing, as required by calculation, is not reduced. Show these bars on the Structures Plans, Superstructure Sheets with the deck steel.

All Bars 5P, 5S and 5V as shown are included in the Estimated Traffic Railing Quantities. Do not include Bars 5P, 5S and 5V in the reinforcing bar lists and estimated quantities for supporting bridge decks, approach slabs or retaining walls.

DETAIL "A"
(Railing on Approach Slab shown, Railing on Retaining Wall similar)

NOTE: Omit Railing End Transition and Guardrail if Index 410 Concrete Barrier Wall is used beyond the Approach Slab or Retaining Wall. See Structures Plans, Plan and Elevation Sheet and Roadway Plans. If Railing End Transition is omitted, extend Typical Section to end of the Approach Slab or limiting station on Retaining Wall, and space Bars 5P and 5V at 8" (Typ.)



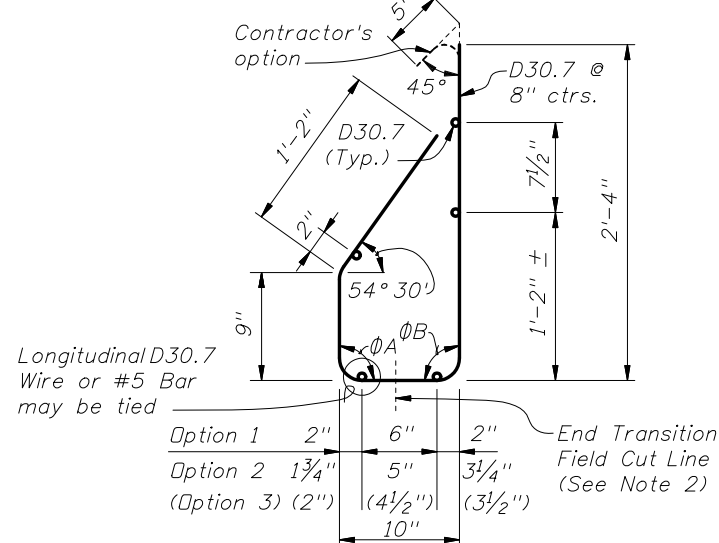
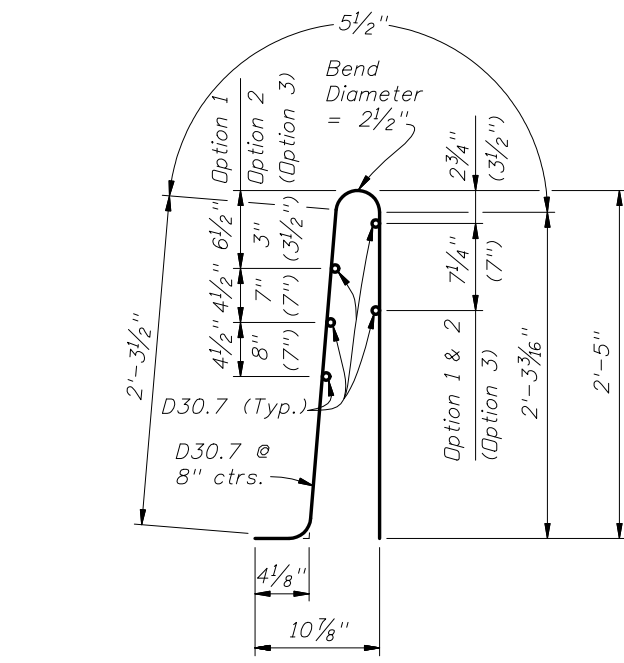
2008 FDOT Design Standards

TRAFFIC RAILING - (32" F SHAPE)

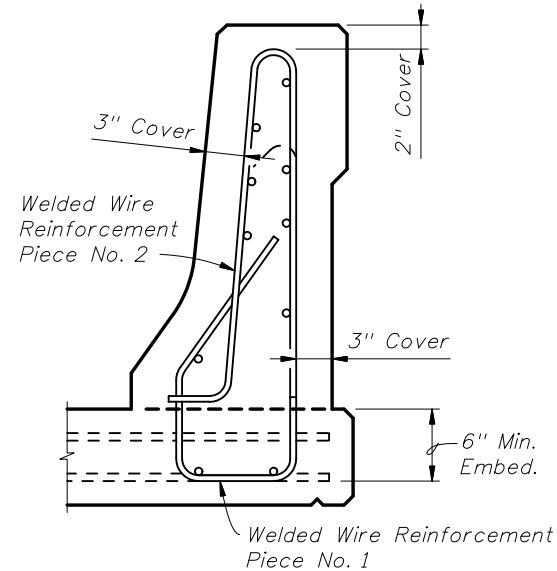
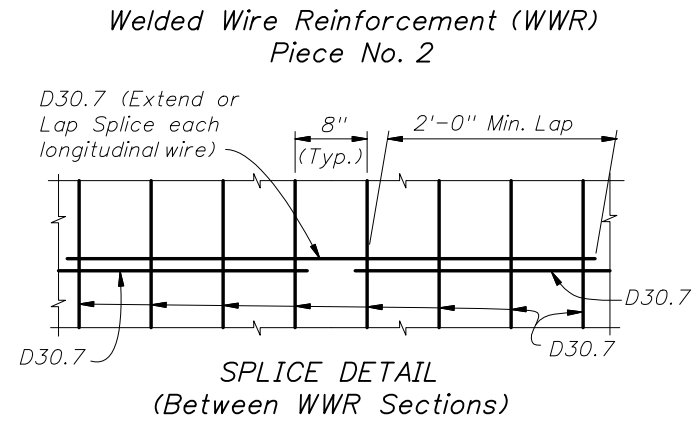
Last Revision 07/01/07
Sheet No. 2 of 3
Index No. 420

ALTERNATE REINFORCING STEEL (WELDED WIRE REINFORCEMENT) DETAILS

CONVENTIONAL REINFORCING STEEL BENDING DIAGRAMS



Welded Wire Reinforcement (WWR) Piece No. 1



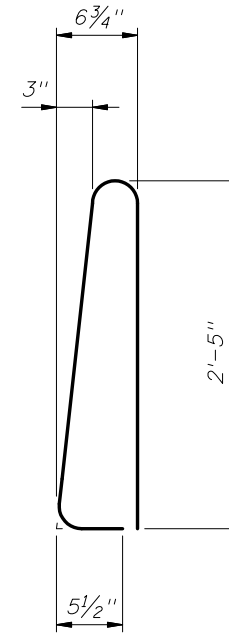
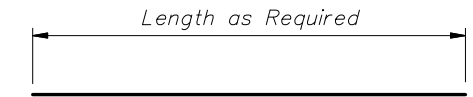
WELDED WIRE REINFORCEMENT NOTES:

- At the option of the Contractor Welded Wire Reinforcement (WWR) may be utilized in lieu of all Bars 5P, 5S and 5V. Welded Wire Reinforcement shall conform to ASTM A497.
- Welded Wire Reinforcement at Railing End Transition shall be field bent inward as required (Pieces 1 & 2) to maintain cover. The vertical wires (D30.7) in Piece 1 shall be cut as shown and the gutter side portion bent inward as required to allow placement.

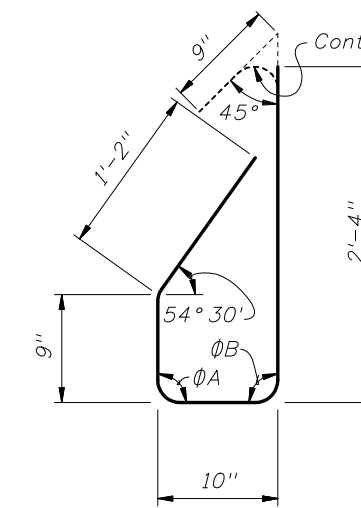
ROADWAY CROSS-SLOPE	LOW GUTTER		HIGH GUTTER	
	∅A	∅B	∅A	∅B
0% to 2%	90°	90°	90°	90°
2% to 6%	93°	87°	87°	93°
6% to 10%	96°	84°	84°	96°

∅A and ∅B shall be 90° if Contractor elects to place railing perpendicular to the deck and approach slabs.

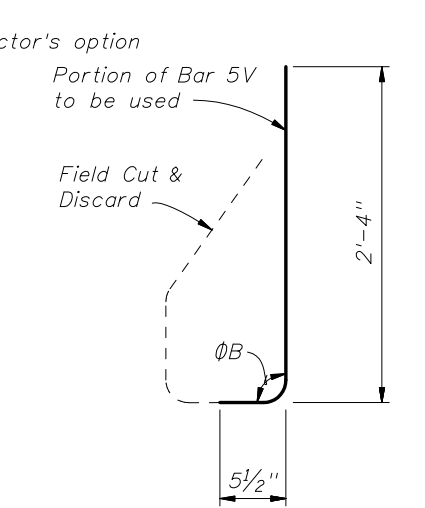
BILL OF REINFORCING STEEL		
MARK	SIZE	LENGTH
P	5	5'-7"
S	5	As Reqd.
V	5	5'-1"



STIRRUP BAR 5P



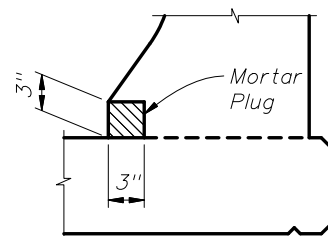
STIRRUP BAR 5V



END STIRRUP BAR 5V To Be Field Cut (One Required per Railing End Transition)

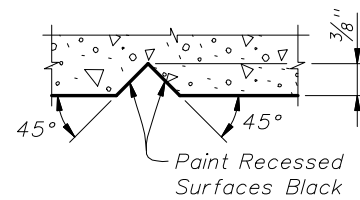
REINFORCING STEEL NOTES:

- All bar dimensions in the bending diagrams are out to out.
- The 9" and the 2'-4" vertical dimensions shown for Bar 5V are based on a bridge deck without a raised sidewalk. If a raised sidewalk is to be provided, increase these dimensions to achieve a 6" minimum embedment into the bridge deck. See Structures Plans, Superstructure and Approach Slab Sheets.
- The reinforcement for the railing on a retaining wall shall be the same as detailed above for a 8" deck with ∅A = ∅B = 90°.
- All reinforcing steel at the open joints shall have a 2" minimum cover.
- Bars 5S may be continuous or spliced at the construction joints. Bar splices for Bars 5S shall be a minimum of 2'-0".



DETAIL "B" - SECTION AT INTERMEDIATE OPEN JOINT

NOTE: At Intermediate Open Joints, plug the lower 3" portion of the open joint by filling it with mortar in accordance with Section 400 of the Specifications.



SECTION THRU RECESSED "V" GROOVE TO FORM INSCRIBED LETTERS AND FIGURES

ESTIMATED TRAFFIC RAILING QUANTITIES		
ITEM	UNIT	QUANTITY
Concrete	CY/LF	0.104
Reinforcing Steel	LB/LF	27.12

(The above quantities are based on a 2% deck cross slope; railing on low side of deck.)



2008 FDOT Design Standards

TRAFFIC RAILING - (32" F SHAPE)

Last Revision 07/01/07
Sheet No. 3 of 3
Index No. 420