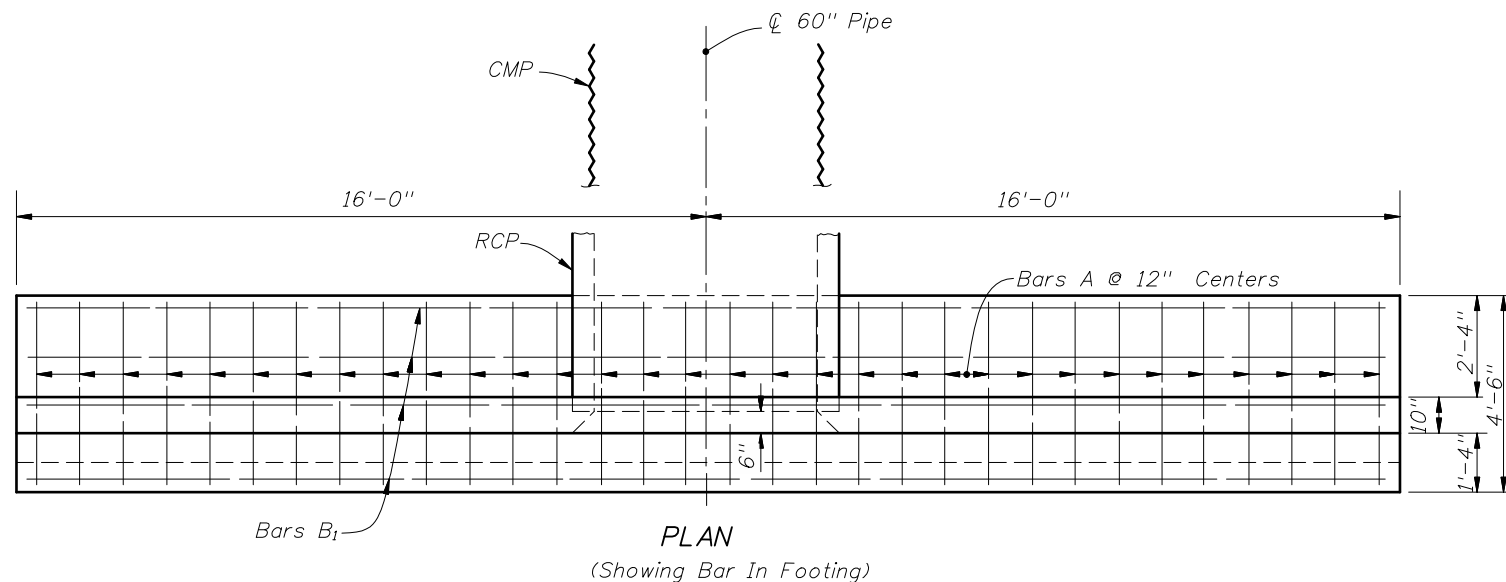
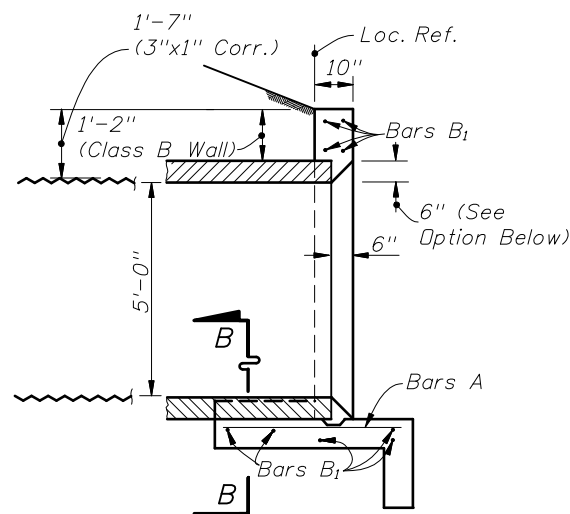


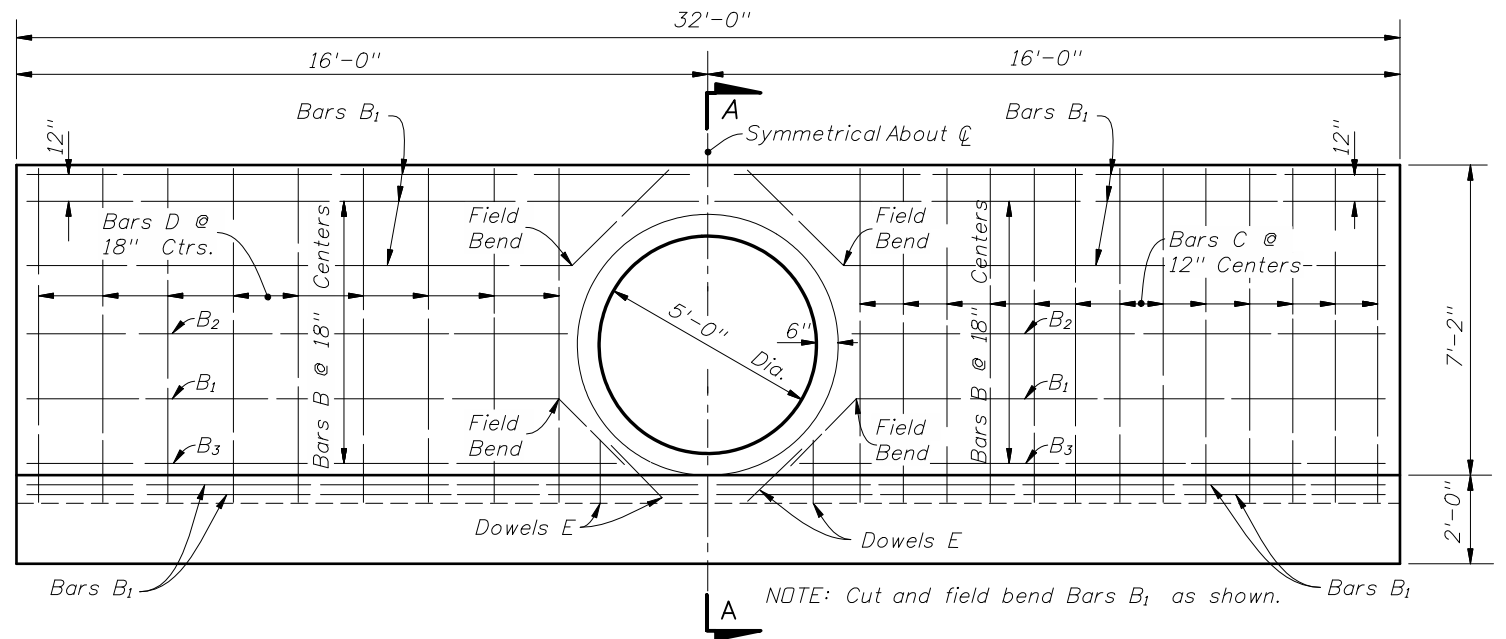
SECTION BB



PLAN  
(Showing Bar In Footing)



SECTION AA



HALF ELEVATION  
(Showing Bars In Front Face Of Wall)

HALF ELEVATION  
(Showing Bars In Back Face Of Wall)

GENERAL NOTES

1. Straight concrete endwalls are intended for use outside the clear zone.
2. Endwalls may be cast-in-place or precast construction. Cast-in-place endwalls shall conform to the details on this index, design specifications AASHTO 1989. Precast construction which adheres to this Index, including any additional reinforcement required for handling which shall be determined by the Contractor or supplier, does not require additional approvals. Deviations from this Index, for precast units, shall require the approval of the State Drainage Engineer prior to construction. For precast construction, see Index No. 201 for opening and grouting details.
3. Reinforcing steel shall be either Grade 40 or 60.
4. Concrete shall be Class II except concrete meeting the requirements of ASTM C 478 (4000 PSI) may be used in lieu of Class II concrete in precast units manufactured in plants which are under the Standard Operating Procedures for the inspection of precast drainage products.
5. Chamfer: All exposed edges and corners to be chamfered  $\frac{3}{4}$ " unless otherwise shown.
6. That portion of corrugated metal pipe in direct contact with the concrete slab and extending 12" beyond shall have a continuous bituminous coating of .004" minimum thickness applied prior to placing of the concrete.
7. Sodding shall be in accordance with Index No. 281 and paid for under the contract unit price for Performance Turf, SY.
8. Basis of payment for either cast-in-place or precast construction shall be the estimated quantities tabulated on the Index. Concrete and reinforcing steel shall be paid for under the contract unit prices for Class II Concrete (Endwalls), CY and Reinforcing Steel (Roadway), LB.

BILL OF REINFORCING STEEL					
MARK	SIZE	NO. REQD.	LENGTH	LOCATION	BENDING
A	#4	32	4'-2"	Footing	Straight
B <sub>1</sub>	#4	13	31'-8"	Footing & Wall	Straight
B <sub>2</sub>	#4	4	12'-4"	Wall	Straight
B <sub>3</sub>	#4	4	13'-9"	Wall	Straight
C	#4	26	9'-4"	Wall	Bend
D	#4	18	7'-6"	Wall	Straight
E	#4	8	1'-8"	Footing & Wall	Straight

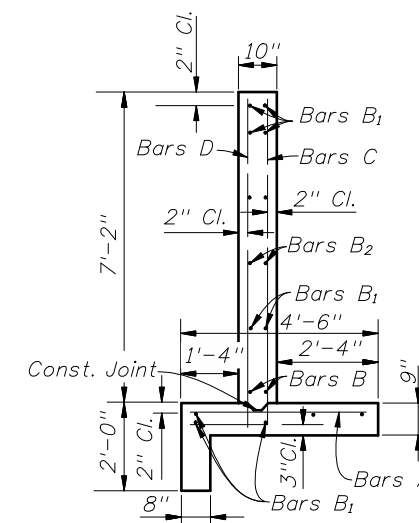
BENDING DIAGRAM



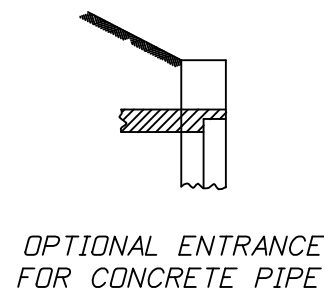
NOTE: All bar dimensions are out to out

ESTIMATED QUANTITIES

ITEM	UNIT	RCP	CMP
Class II Concrete	Cu. Yd.	11.3	11.4
Reinforcing Steel	Lb.	695	695



TYPICAL SECTION  
THRU ENDWALL



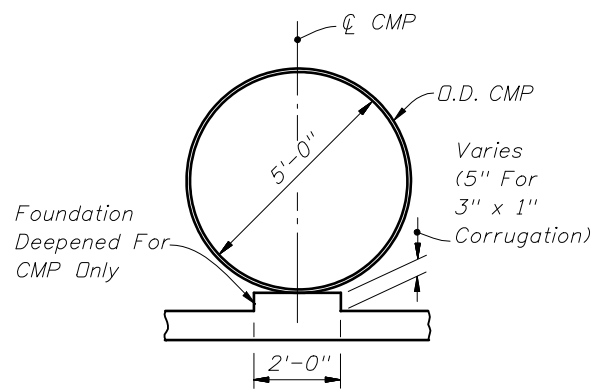
OPTIONAL ENTRANCE  
FOR CONCRETE PIPE



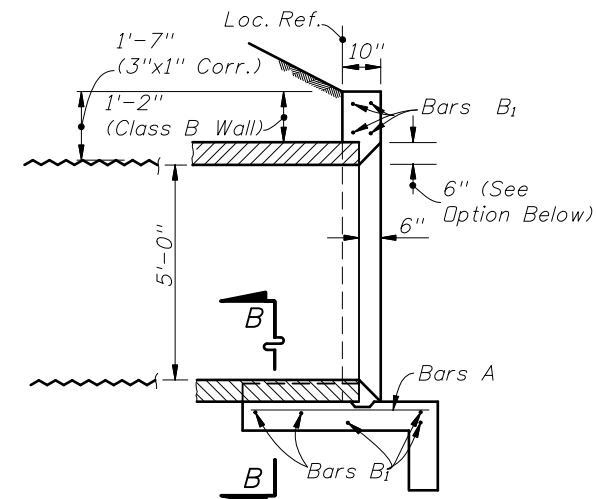
2008 FDOT Design Standards

STRAIGHT CONCRETE ENDWALLS  
SINGLE AND DOUBLE 60" PIPE

Last Revision 07/01/07  
Sheet No. 1 of 2  
Index No. 251

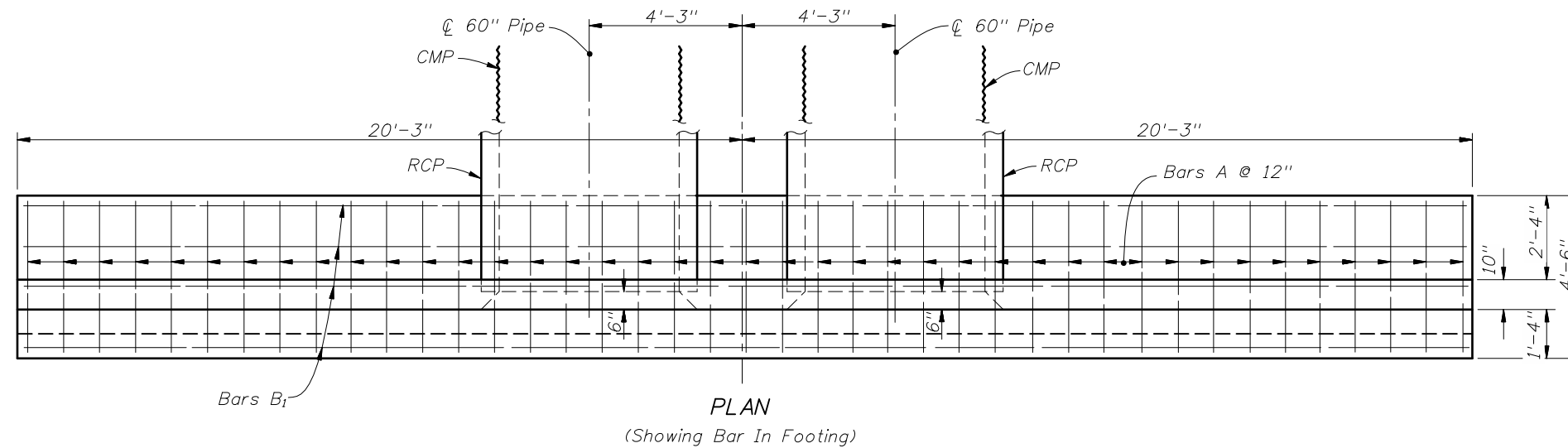


SECTION BB

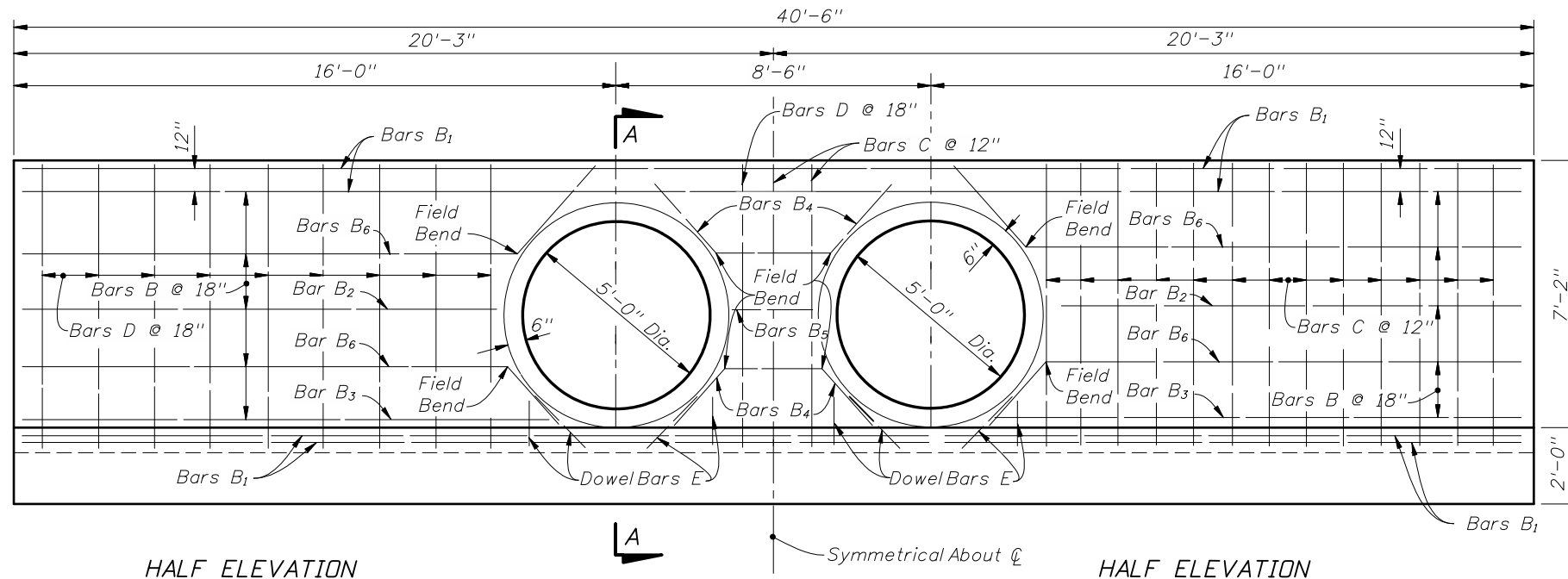


SECTION AA

OPTIONAL ENTRANCE FOR CONCRETE PIPE

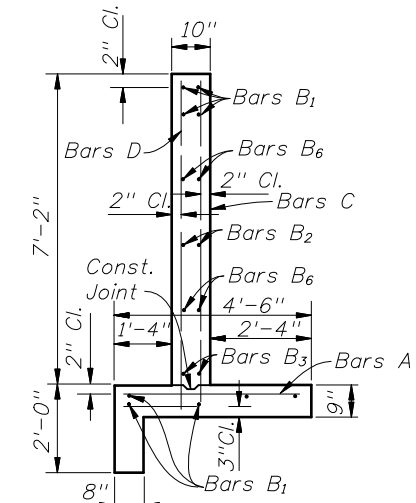


PLAN  
(Showing Bar In Footing)



HALF ELEVATION  
(Showing Bars In Front Face Of Wall)

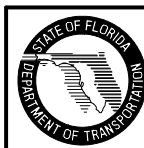
HALF ELEVATION  
(Showing Bars In Back Face Of Wall)



TYPICAL SECTION THRU ENDWALL

BILL OF REINFORCING STEEL						BENDING DIAGRAM			
MARK	SIZE	NO. REQD.	LENGTH	LOCATION	BENDING	7'-6"			
A	#4	41	4'-2"	Footing	Straight				
B1	#4	9	40'-2"	Footing & Wall	Straight				
B2	#4	4	12'-6"	Wall	Straight	NOTE: All bar dimensions are out to out			
B3	#4	4	13'-9"	Wall	Straight	ESTIMATED QUANTITIES			
B4	#4	4	6'-0"	Wall	Field Bend	ITEM	UNIT	RCP	CMP
B5	#4	2	2'-2"	Wall	Straight	Class II Concrete	Cu. Yd.	13.7	13.8
B6	#4	8	15'-0"	Wall	Field Bend	Reinforcing Steel	Lb.	824	824
C	#4	29	9'-4"	Footing & Wall	Bend				
D	#4	20	7'-6"	Footing & Wall	Straight				
E	#4	16	1'-8"	Footing & Wall	Straight				

NOTE: See Sheet 1 of 2 For General Notes.



2008 FDOT Design Standards

STRAIGHT CONCRETE ENDWALLS  
SINGLE AND DOUBLE 60" PIPE

Last Revision 00  
Sheet No. 2 of 2  
Index No. 251