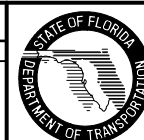


**REVISIONS**

DATE	BY	DESCRIPTION	DATE	BY	DESCRIPTION
07/01/06	SDD	New Design Standard Issued			



2006 Interim Design Standard

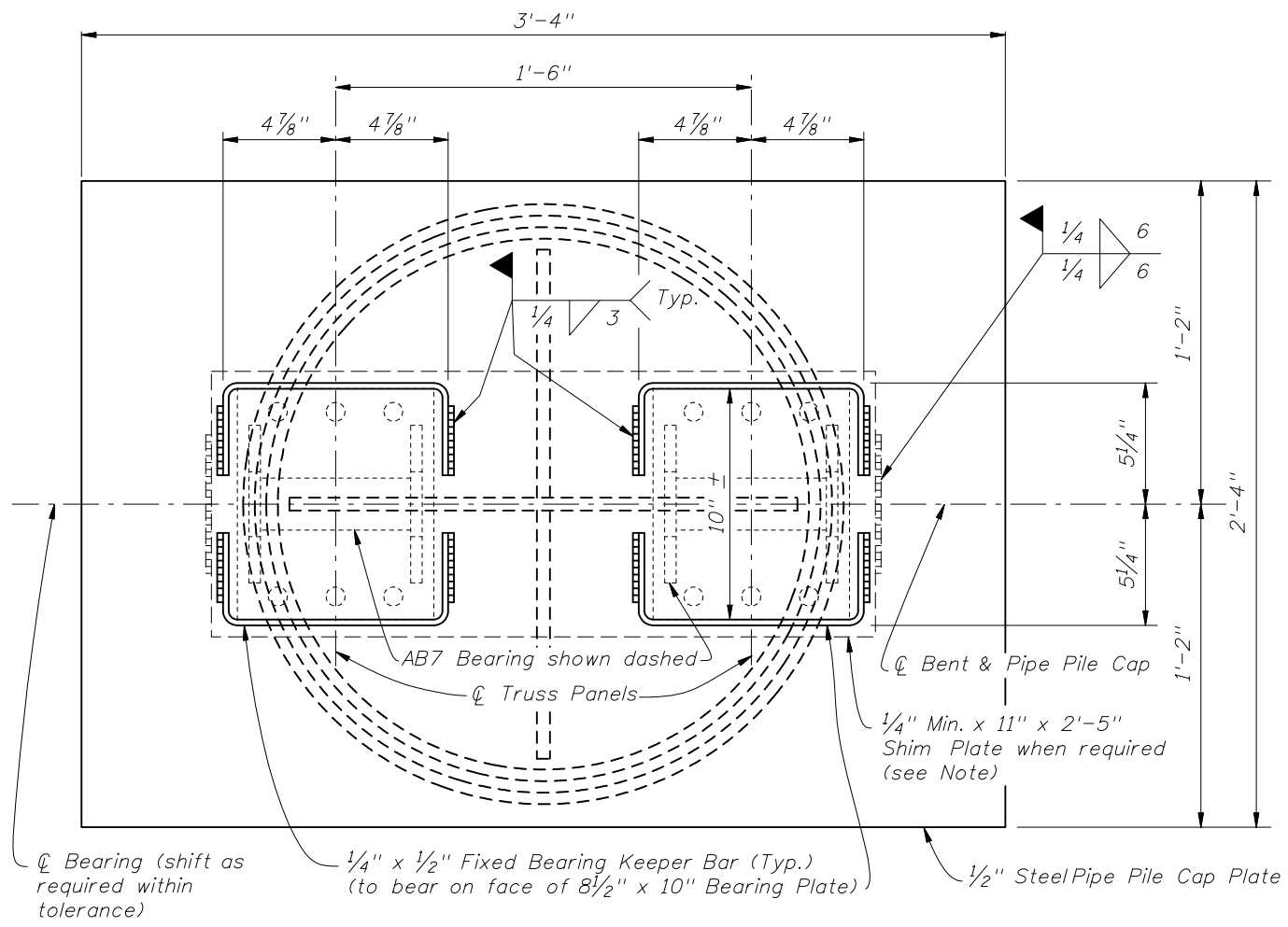
**TEMPORARY DETOUR BRIDGE DETAILS**  
**STEEL PIPE PILE FOUNDATIONS**

Interim Date  
07/01/06

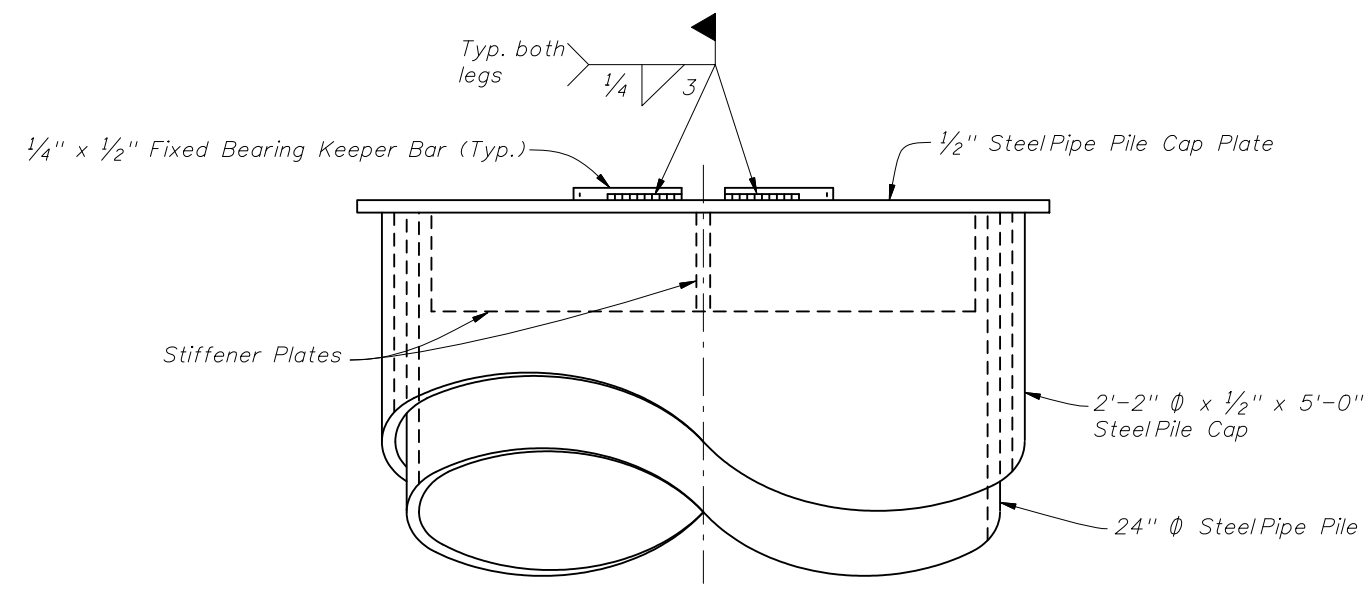
Sheet No.  
1 of 3

Index No.

**21630**

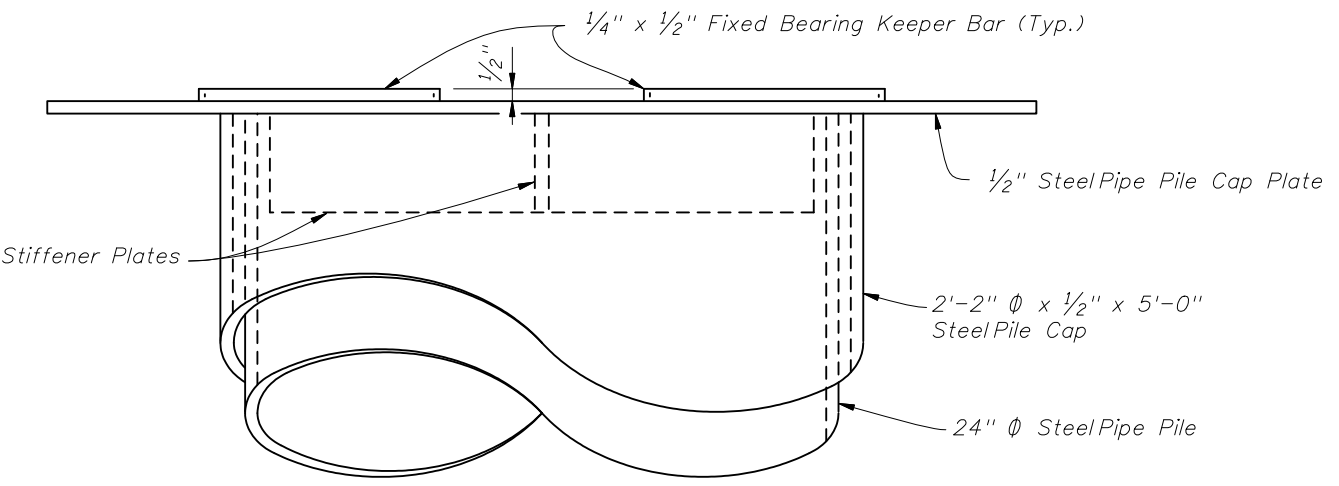


PARTIAL PLAN VIEW

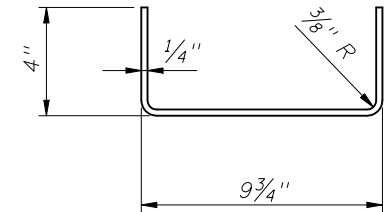


END VIEW

Note:  
Use Shim Plates as required to provide equal bearing seat elevations across the bent. Vary thickness of Shim Plate across the pile cap plate to provide a level bearing area in the transverse direction.



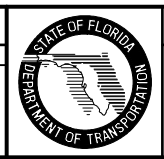
PARTIAL ELEVATION VIEW



FIXED BEARING KEEPER BAR DETAIL

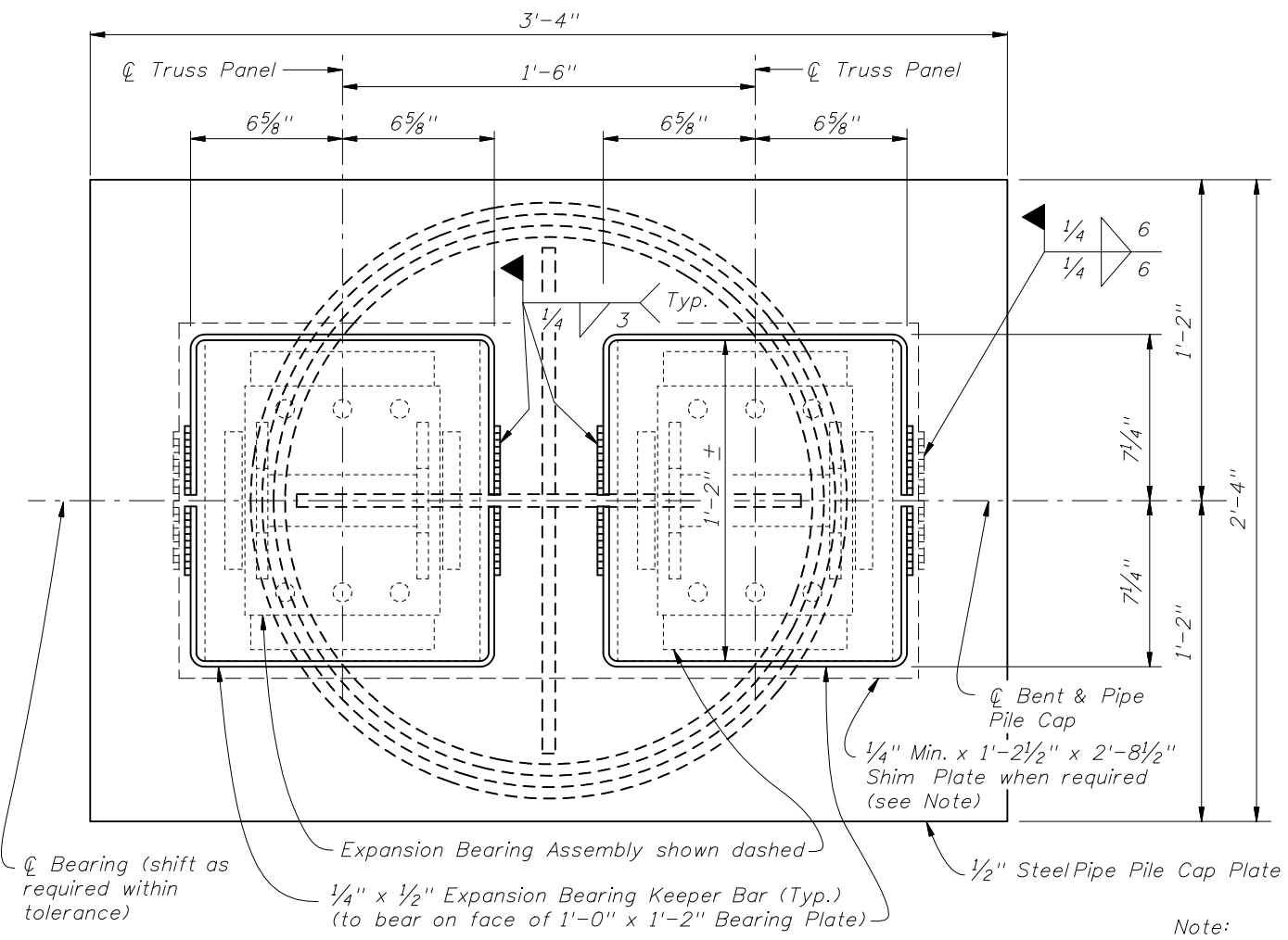
FIXED BEARING DETAILS

REVISIONS					
DATE	BY	DESCRIPTION	DATE	BY	DESCRIPTION
07/01/06	SDD	New Design Standard Issued			

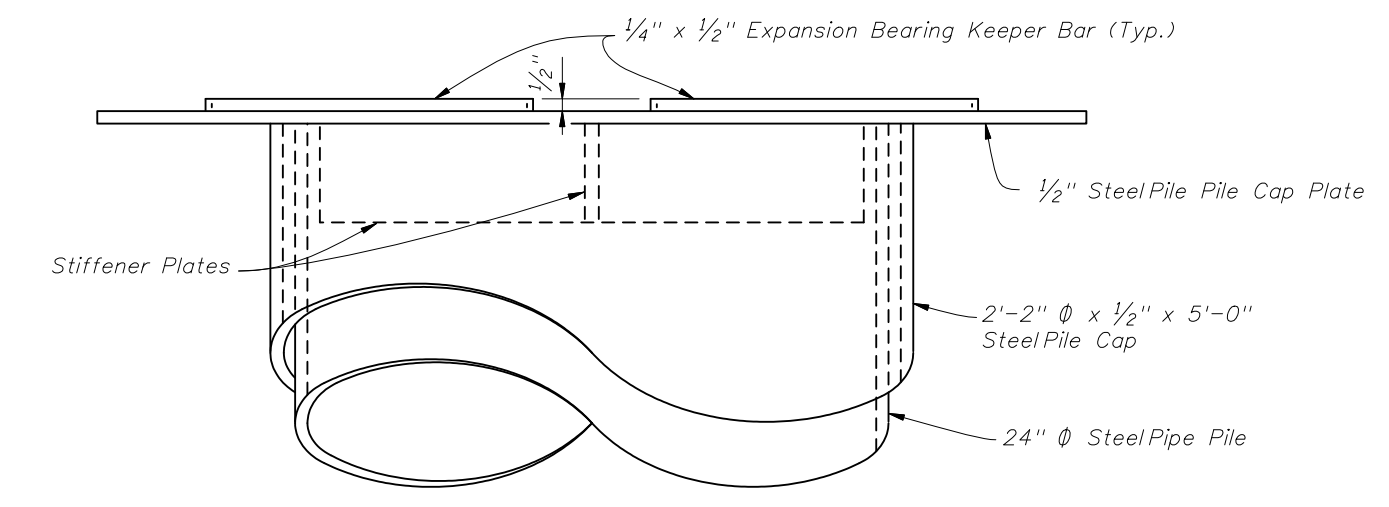


2006 Interim Design Standard  
**TEMPORARY DETOUR BRIDGE DETAILS**  
**STEEL PIPE PILE FOUNDATIONS**

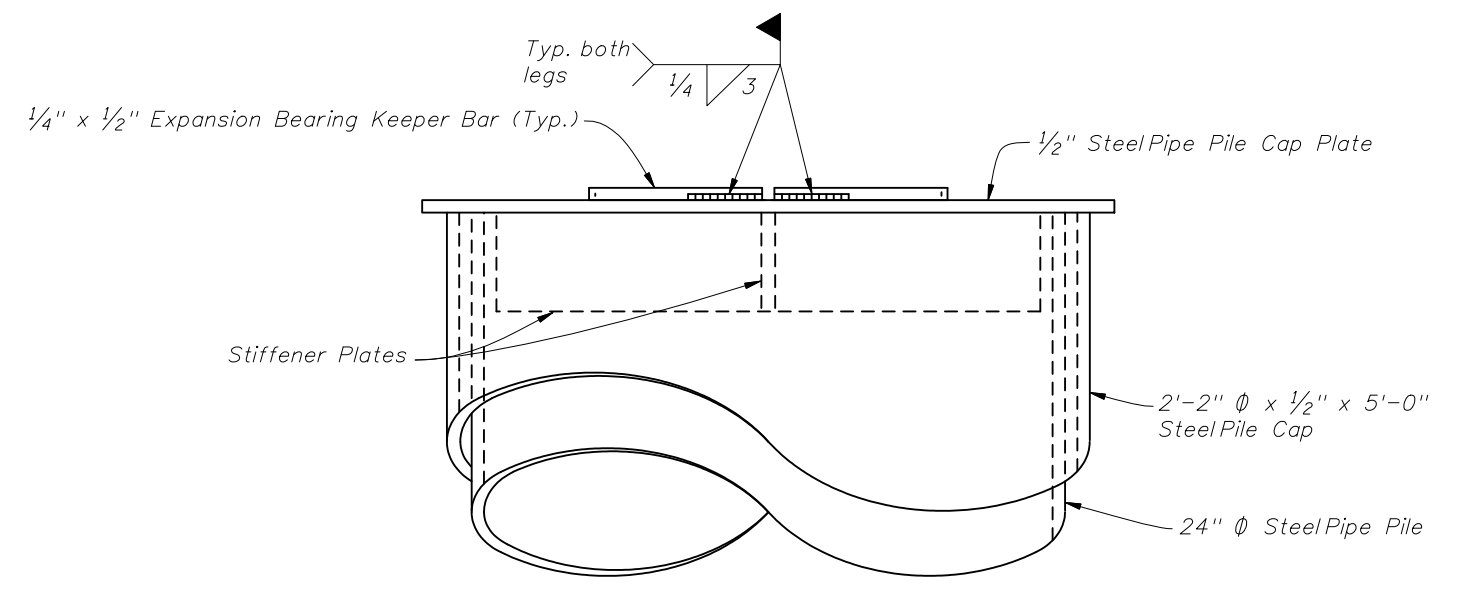
Interim Date: 07/01/06  
 Sheet No.: 2 of 3  
 Index No.: 21630



PARTIAL PLAN VIEW

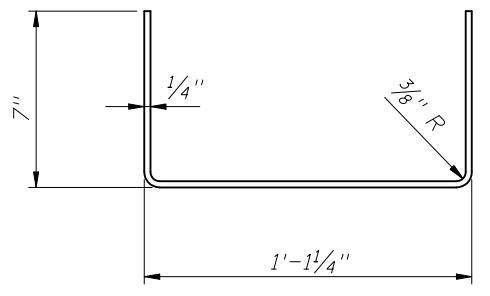


PARTIAL ELEVATION VIEW



END VIEW

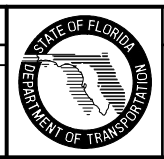
Note:  
Use Shim Plates as required to provide equal bearing seat elevations across the bent. Vary thickness of Shim Plate across the pile cap plate to provide a level bearing area in the transverse direction.



EXPANSION BEARING KEEPER BAR DETAIL

ABUTMENT AND INTERMEDIATE EXPANSION BEARING DETAILS

REVISIONS					
DATE	BY	DESCRIPTION	DATE	BY	DESCRIPTION
07/01/06	SDD	New Design Standard Issued			



2006 Interim Design Standard  
**TEMPORARY DETOUR BRIDGE DETAILS**  
**STEEL PIPE PILE FOUNDATIONS**

Interim Date: 07/01/06  
 Sheet No. 3 of 3  
 Index No. 21630