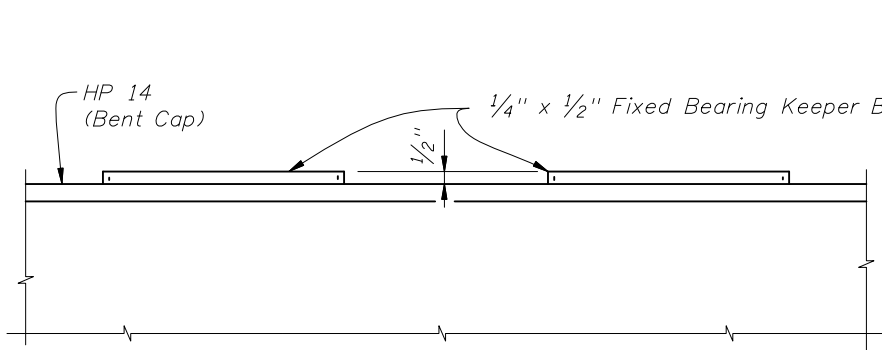
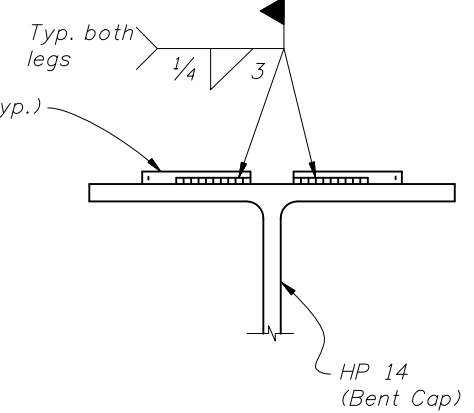


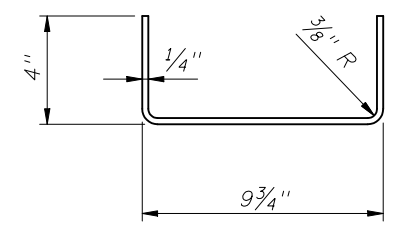
PARTIAL PLAN VIEW



PARTIAL ELEVATION VIEW

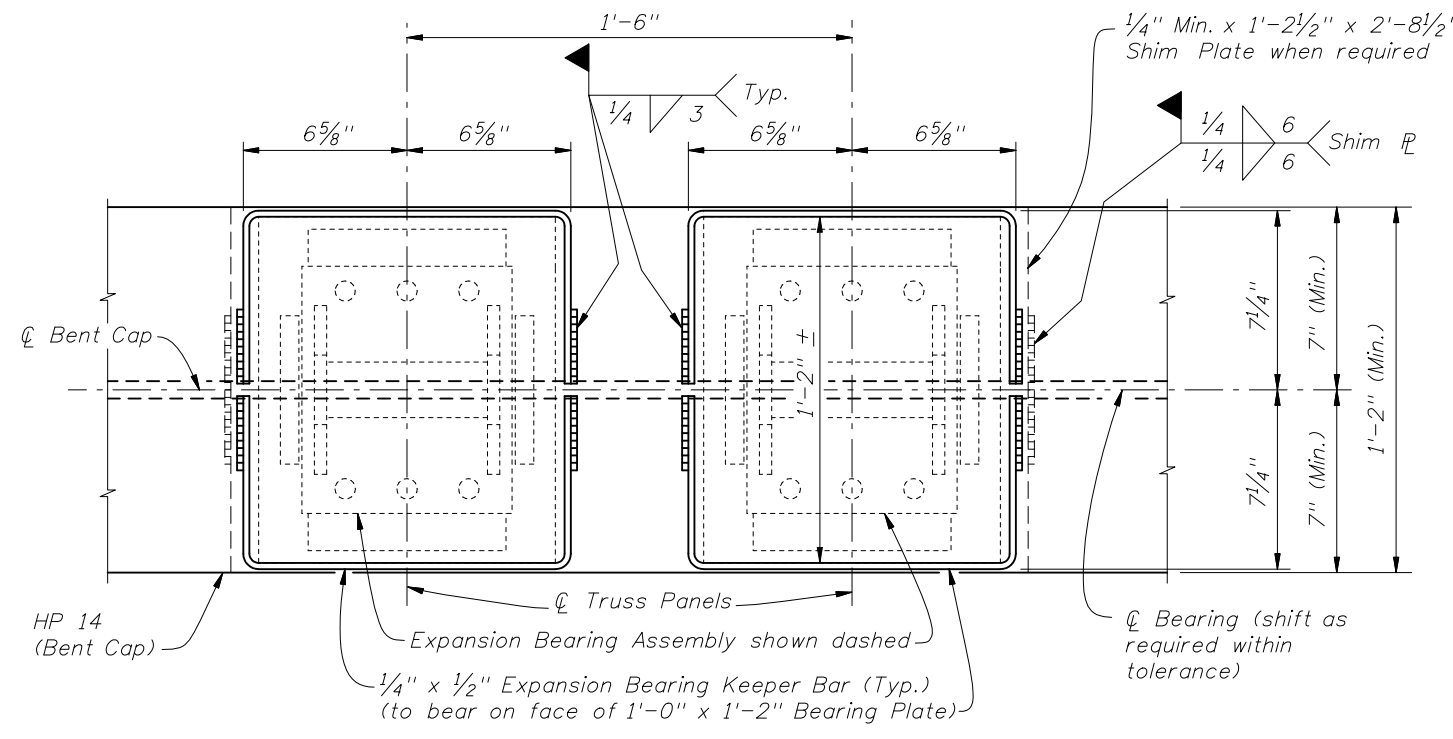


END VIEW

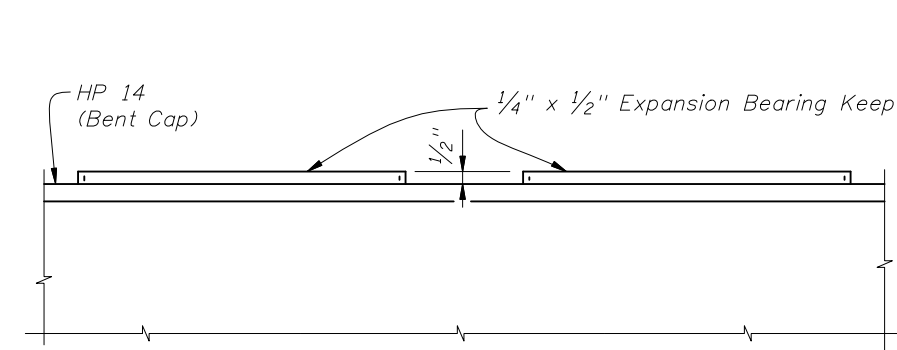


FIXED BEARING KEEPER BAR DETAIL

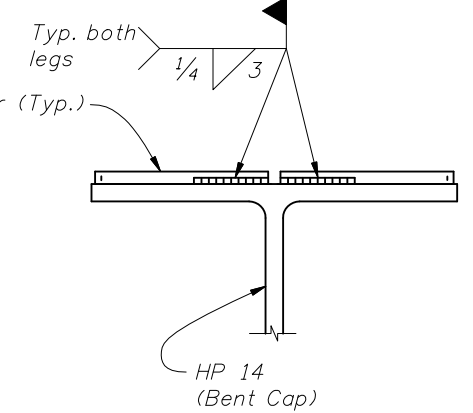
===== FIXED BEARING DETAILS =====



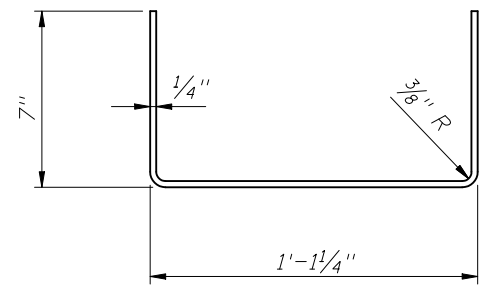
PARTIAL PLAN VIEW



PARTIAL ELEVATION VIEW



END VIEW

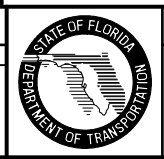


EXPANSION BEARING KEEPER BAR DETAIL

===== EXPANSION BEARING DETAILS =====

REVISIONS

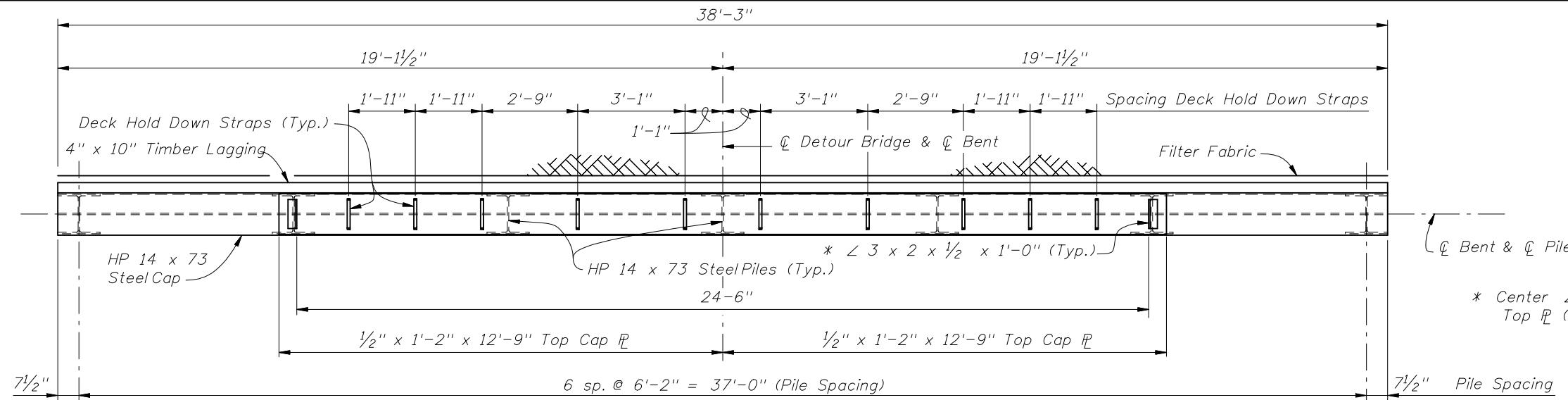
DATE	BY	DESCRIPTION	DATE	BY	DESCRIPTION
07/01/06	SDD	New Design Standard Issued			



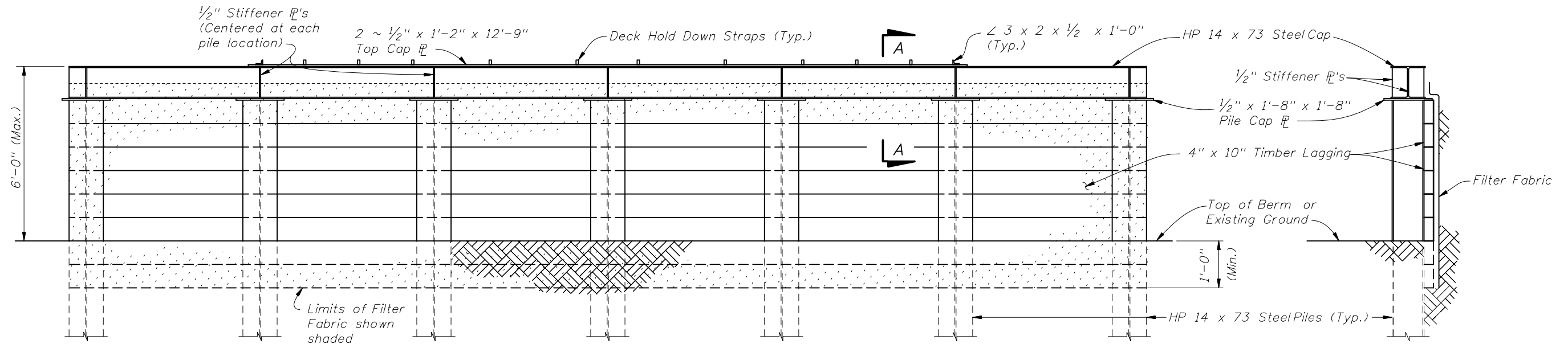
2006 Interim Design Standard

TEMPORARY DETOUR BRIDGE DETAILS
STEEL H PILE FOUNDATIONS

Interim Date: 07/01/06
Sheet No.: 1 of 2
Index No.: 21620

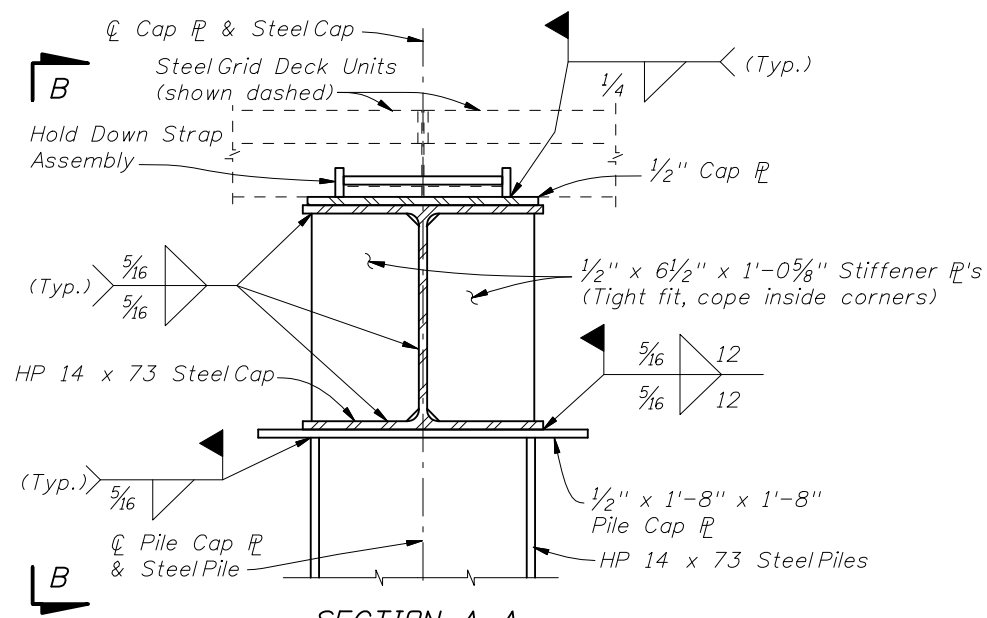


PLAN VIEW

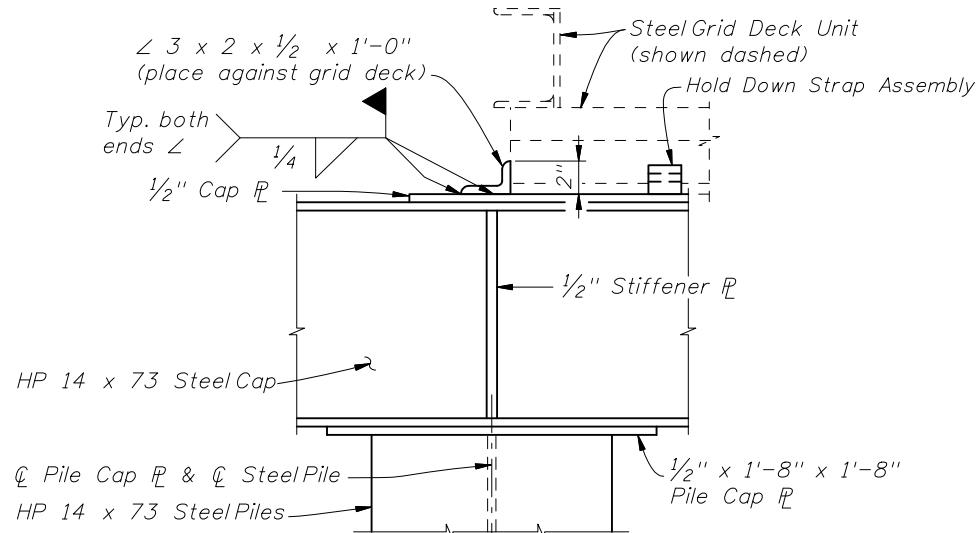


ELEVATION VIEW

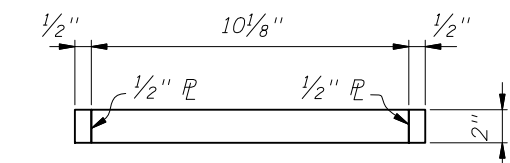
END VIEW



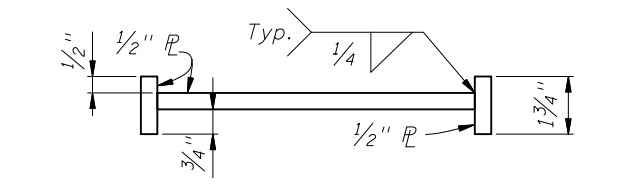
SECTION A-A
(LAGGING NOT SHOWN FOR CLARITY)



VIEW B-B



PLAN VIEW

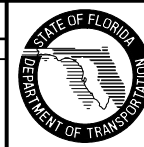


ELEVATION VIEW
HOLD DOWN STRAP ASSEMBLY DETAIL

BACKWALL BENT DETAILS

REVISIONS

DATE	BY	DESCRIPTION	DATE	BY	DESCRIPTION
07/01/06	SDD	New Design Standard Issued			



2006 Interim Design Standard

TEMPORARY DETOUR BRIDGE DETAILS
STEEL H PILE FOUNDATIONS

Interim Date: 07/01/06
Sheet No.: 2 of 2
Index No.: 21620