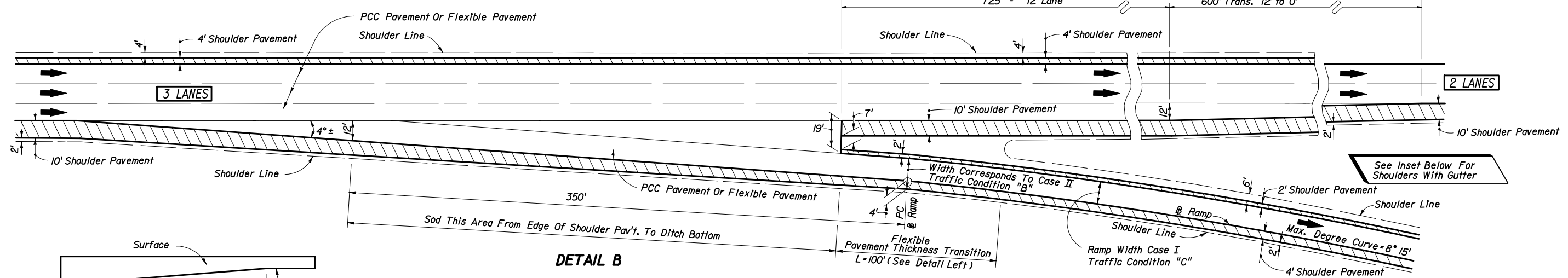
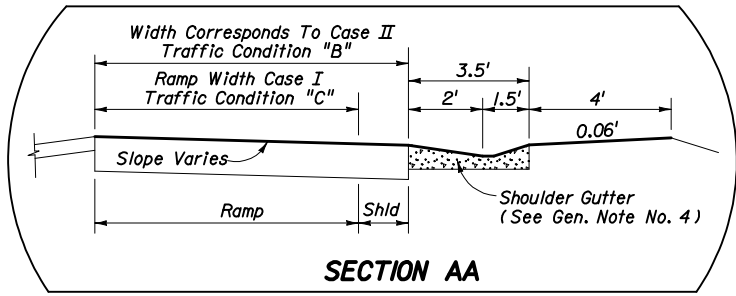
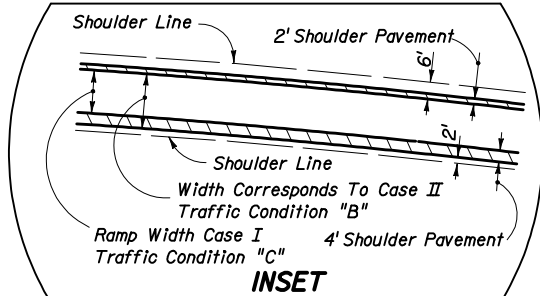
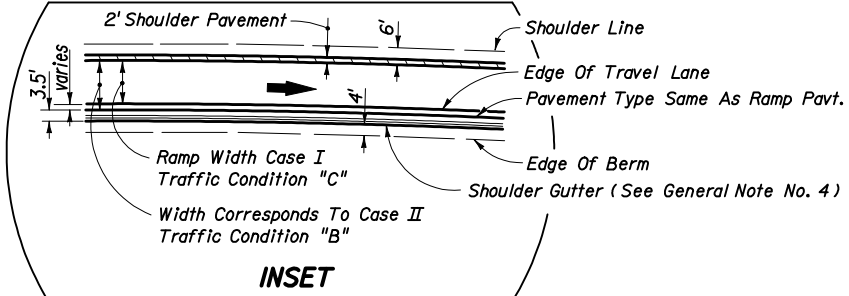


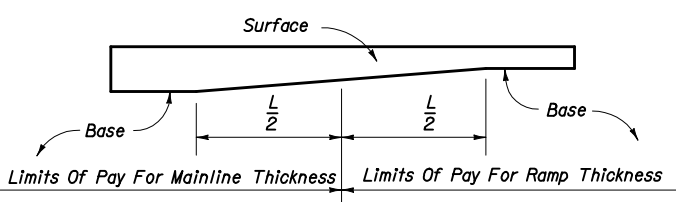
**DETAIL A
TWO THRU LANES**



**DETAIL B
THREE APPROACH LANES - TWO THRU LANES**

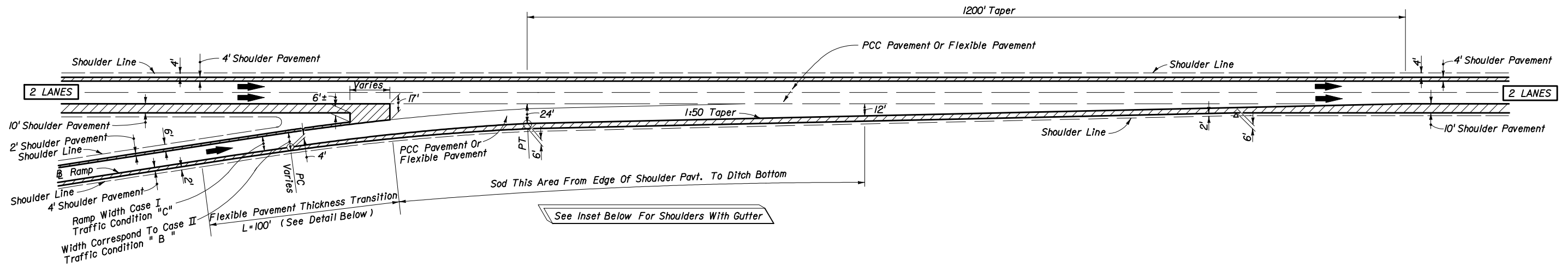


NOTE: For General Notes See Sheet No. 2

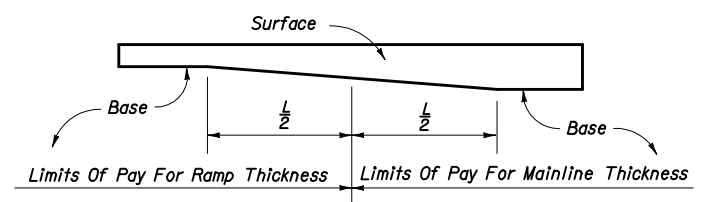
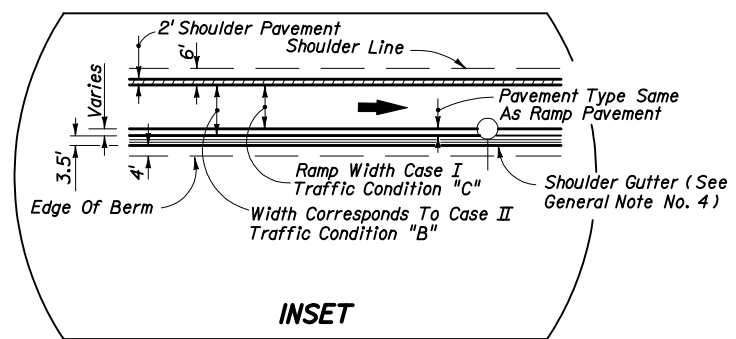


FLEXIBLE PAVEMENT THICKNESS TRANSITION

EXIT TERMINALS SINGLE - LANE RAMPS



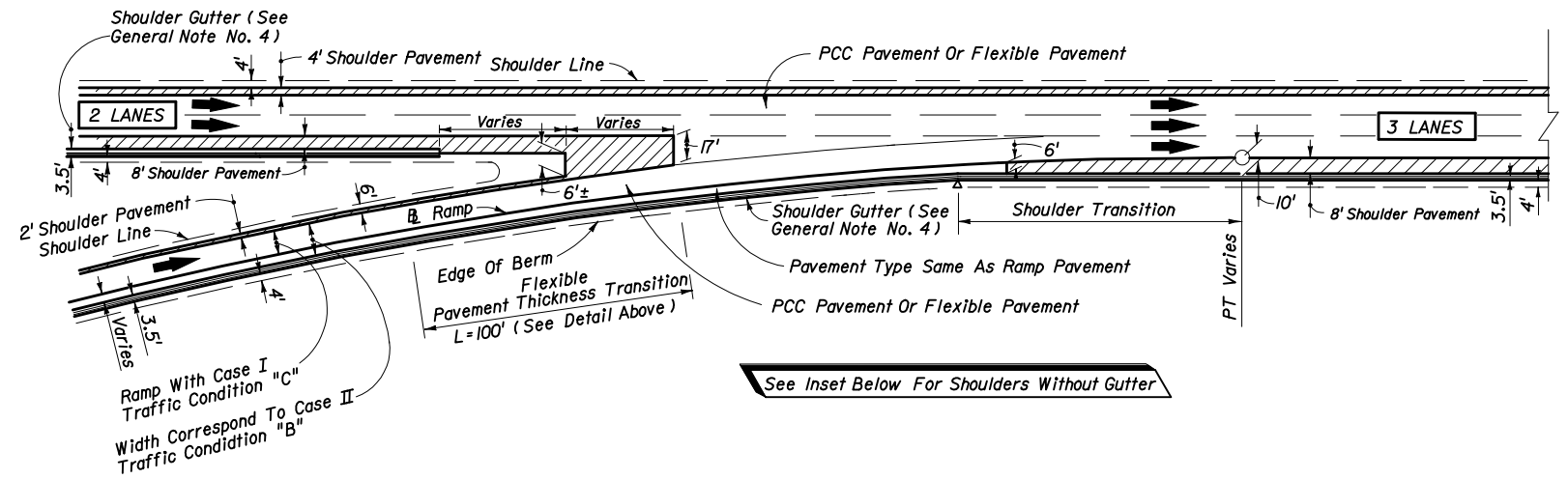
DETAIL C
TAPER-TYPE ENTRANCE



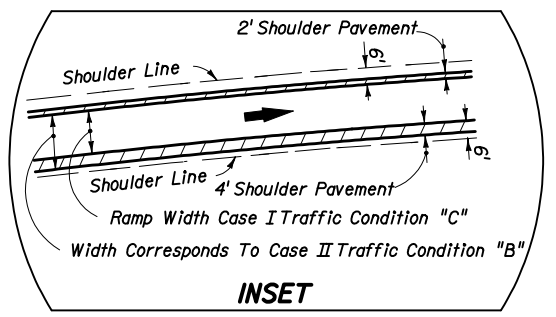
FLEXIBLE PAVEMENT THICKNESS TRANSITION

GENERAL NOTES

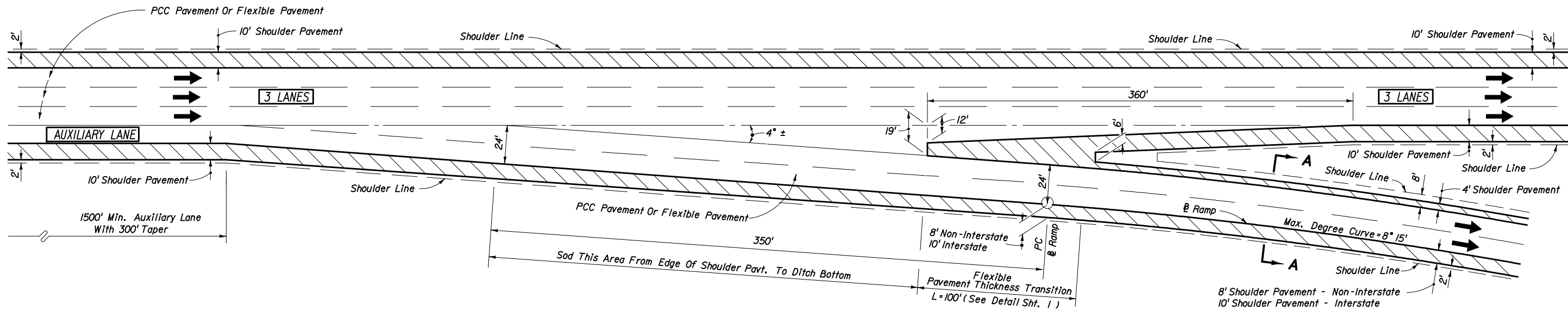
1. Taper-Type exit and entrance terminals as detailed shall not be used on ramps for which a speed of 50 MPH or greater cannot be maintained. For such ramps, parallel deceleration and acceleration lanes shall be used in place of tapers with lengths set according to AASHTO.
2. (a.) PCC Pavement Projects:
Where shoulder pavement adjacent to shoulder gutter is less than 6' wide, it shall be identical to the adjacent roadway pavement beginning with the transverse joint nearest the point of 6' width.
- (b.) Flexible Pavement Projects:
Where shoulder pavement used in conjunction with shoulder gutter is less than 6' uniform width, it shall be identical to the adjacent roadway pavement.
3. For concrete pavement joint details and layouts at entrance and exit ramp terminals see Index No. 305.
4. Shoulder gutter applications will be determined by drainage design.



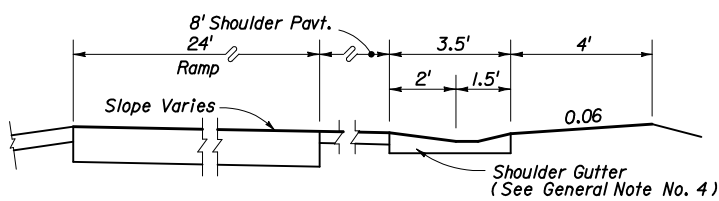
DETAIL D
PARALLEL-TYPE ENTRANCE



ENTRANCE TERMINALS
SINGLE-LANE RAMPS

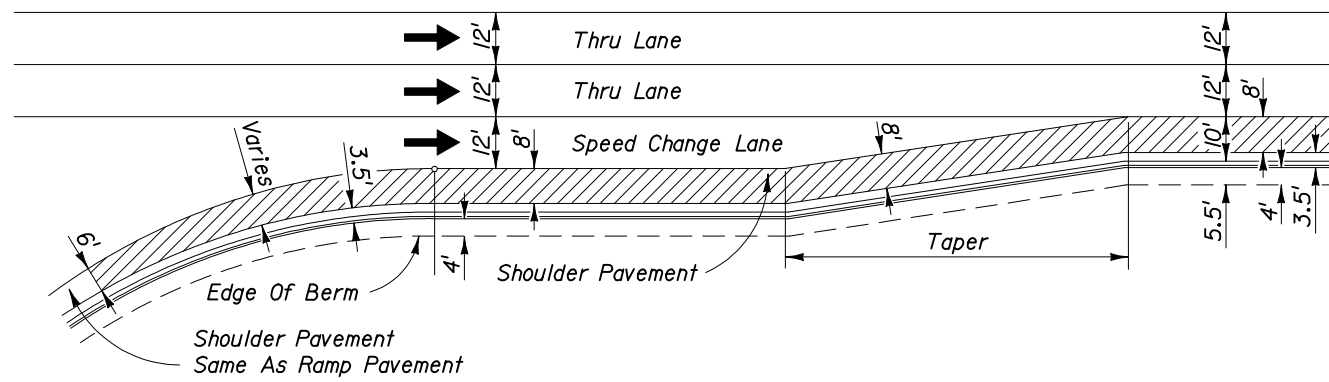


THREE THRU LANES - APPROACH AUXILIARY LANE

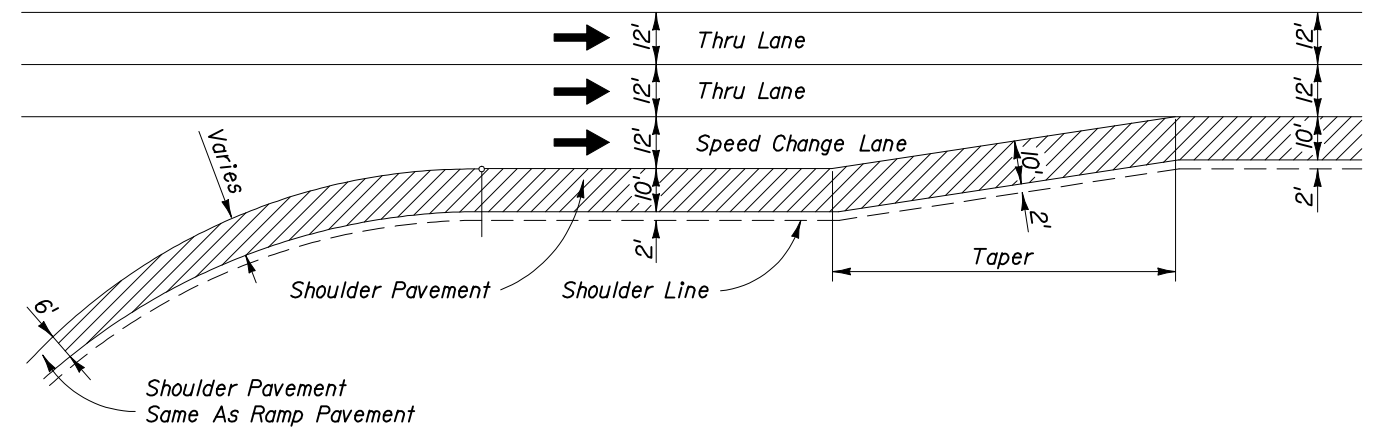


**SECTION WHEN SHOULDER GUTTER USED
SECTION AA**

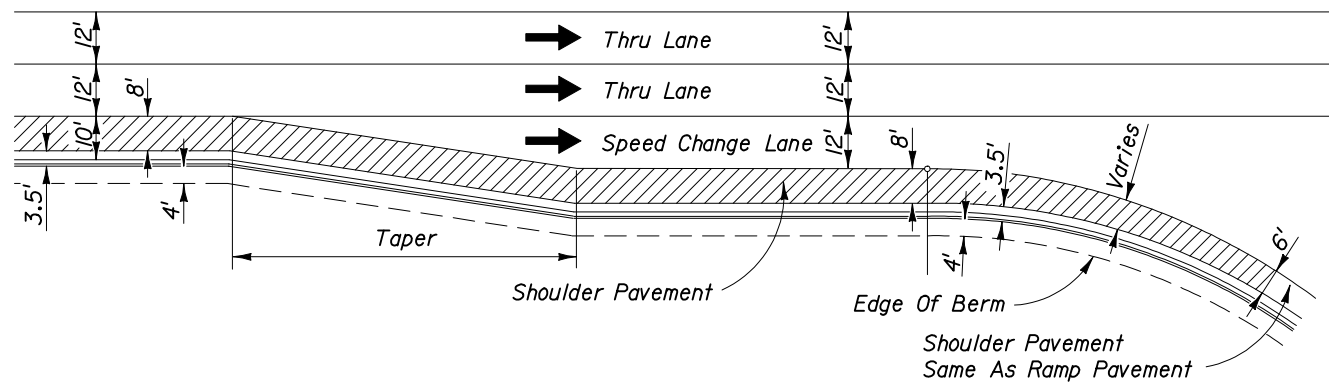
**EXIT TERMINALS
TWO-LANE RAMPS**



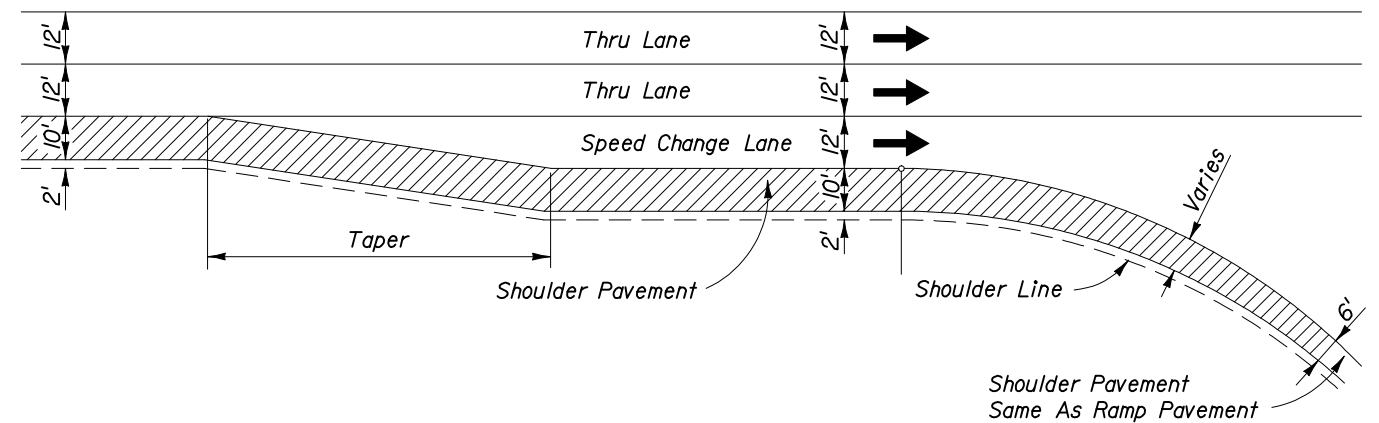
ACCELERATION LANE WITH SHOULDER GUTTER



ACCELERATION LANE WITHOUT SHOULDER GUTTER



DECELERATION LANE WITH SHOULDER GUTTER



DECELERATION LANE WITHOUT SHOULDER GUTTER

SHOULDER TREATMENT
AT SPEED CHANGE LANES AT FREEWAY RAMP TERMINALS

FREEWAY RAMP TERMINALS

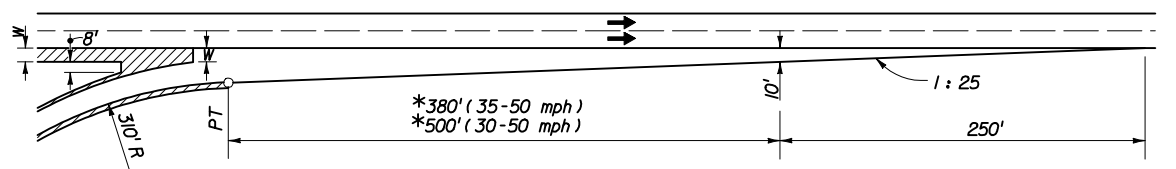


2006 FDOT Design Standards

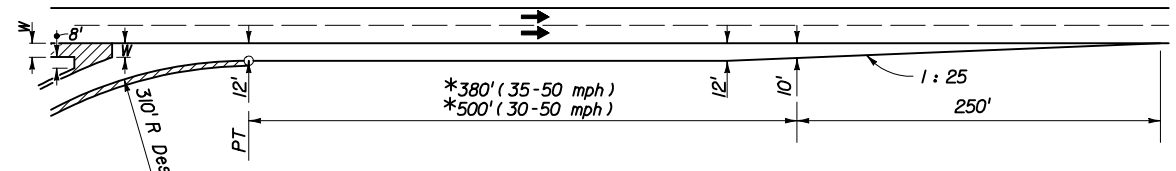
RAMP TERMINALS

Last Revision 04 Sheet No. 4 of 5

Index No. 525

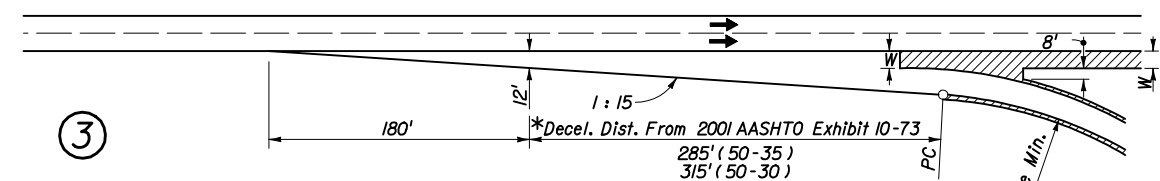


Standard cross road entrance terminals. To be used when roadway alignment is tangent and no bridges are located within the merging lane.

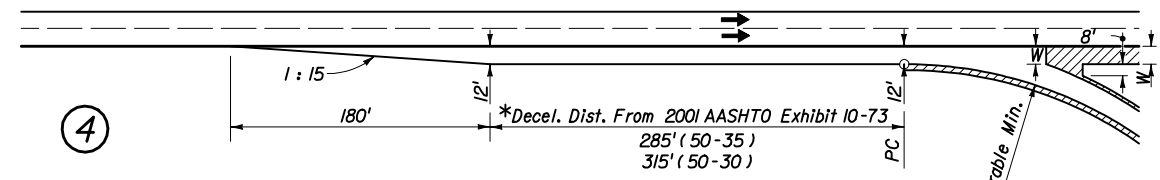


Parallel cross road entrance terminals. Recommended when a bridge is located within the merging lane, turning roadway speed is less than 60% of thru roadway speed or for the combinations of horizontal alignment shown elsewhere on this sheet.

UNSIGNALIZED ENTRANCES



Standard cross road exit terminal. To be used when roadway alignment is tangent.



Parallel cross road exit terminals. Recommended when exit is partially hidden over the crest of vertical curve or when turning roadway speed is less than 60% of the thru roadway speed, or for the combinations of horizontal alignment shown elsewhere on this sheet.

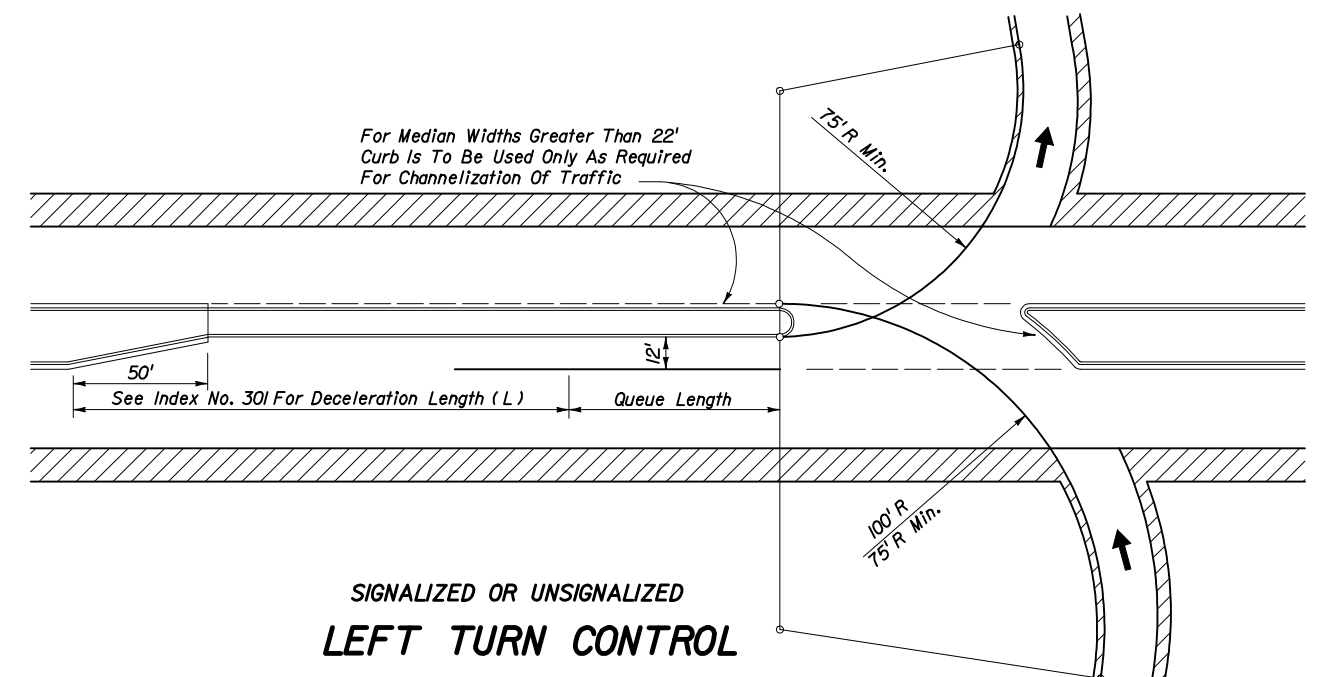
UNSIGNALIZED EXITS

FOOTNOTES:

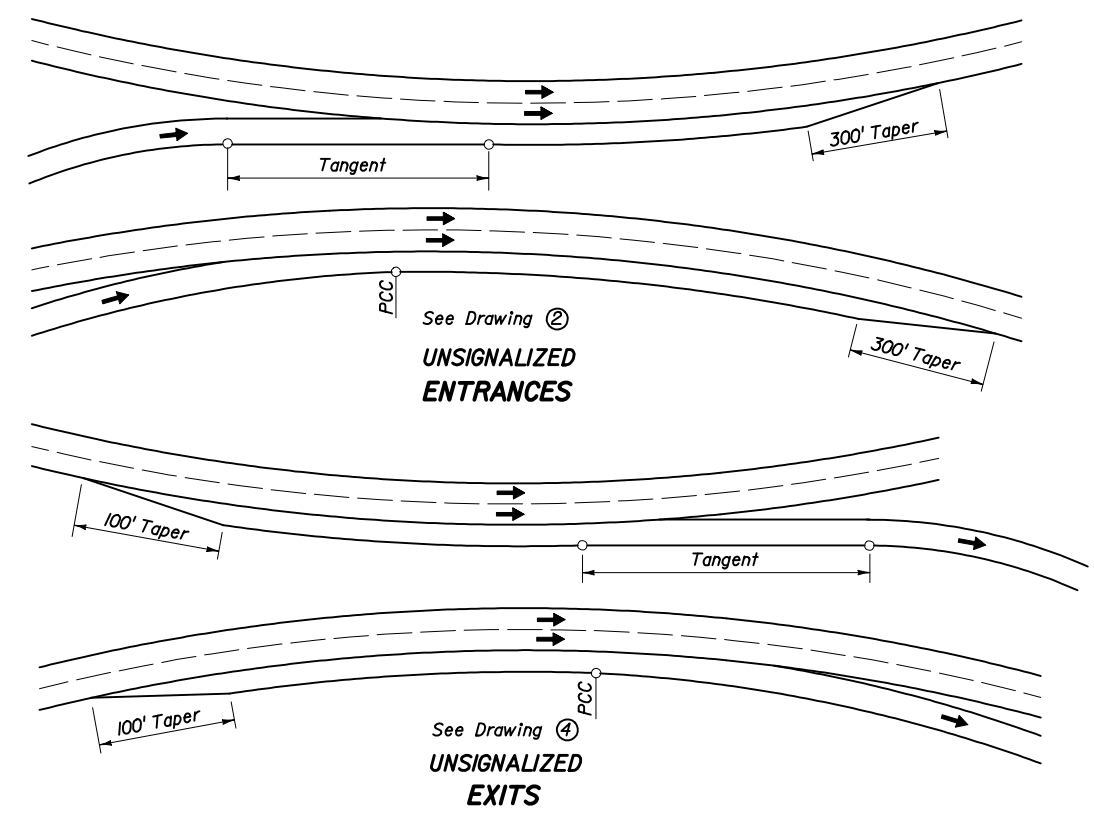
- W Normal shoulder pavement width.
- * Adjust for grades if greater than 2% (See Exhibit 10-71, AASHTO).

RAMP TERMINALS

CROSSROAD TERMINALS



SIGNALIZED OR UNSIGNALIZED LEFT TURN CONTROL



RAMP TERMINALS ON CURVES

NOTE: Ramp terminals on curves should be avoided when possible.



2006 FDOT Design Standards

RAMP TERMINALS

Last Revision 07/01/05 Sheet No. 5 of 5

Index No. 525